



# DVP-FBHT Firebrick Termination Cap

- Installation Instructions -


These instructions should be used along with the Cinch Pipe and Termination Cap System instructions included with this kit.

**CAUTION**



Sharp Edges

- Wear protective gloves and safety glasses during installation.



The DVP-FBHT is a horizontal firebrick termination cap with 4 inch telescoping flue (see Figure 1).

Included is the DVP-WS wall shield firestop with heat shield and one fastener pack.

**WARNING**



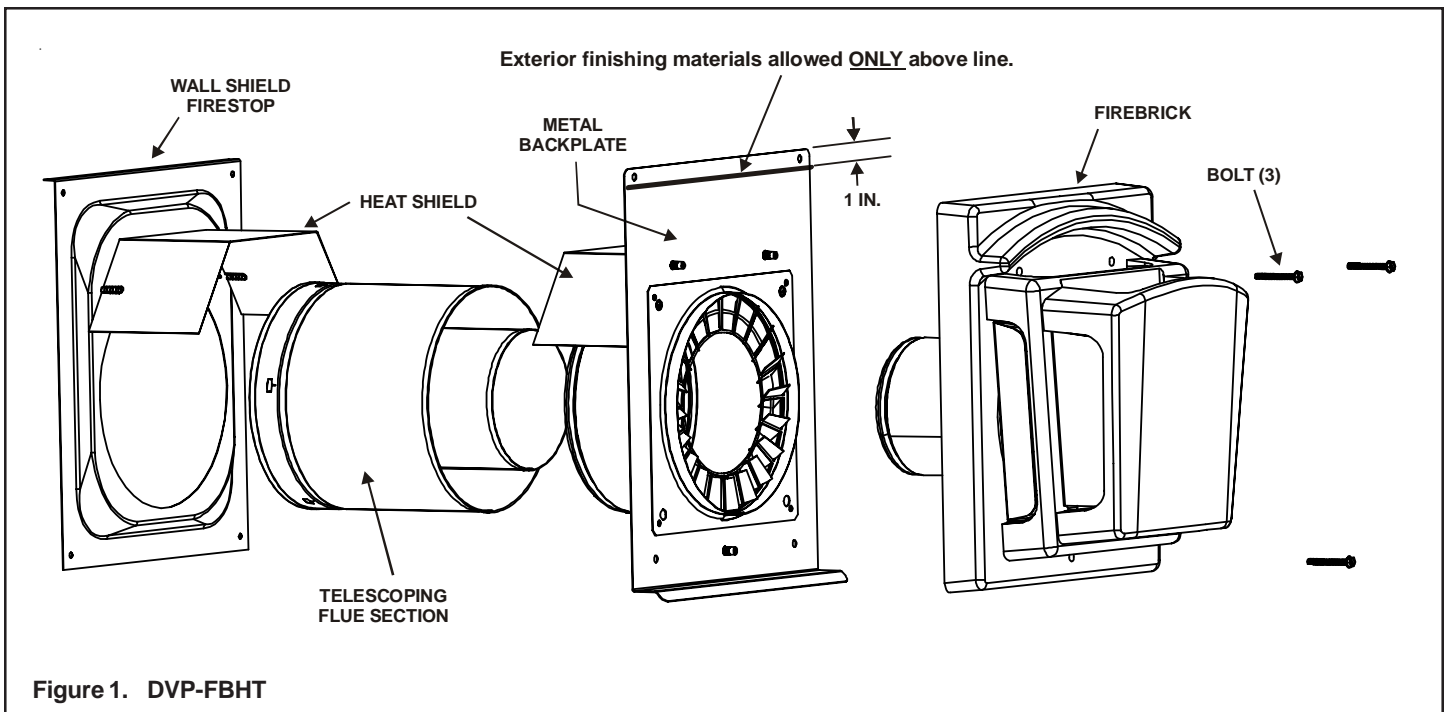
Fire Risk  
Do NOT use this termination cap on vinyl siding.

## Installation

- Carefully remove cap from the packaging.

**Note:** Variation in the appearance of the termination cap color and surface are inherent and unique characteristics of the manufacturing process and are to be expected with this product. Such surface characteristics as chips, small cracks, and pits do not affect the product performance in any manner.

- Frame the 12 inch by 10 inch opening in the wall by following the directions in the Cinch Pipe and Termination cap instructions. When housewrap or underlayment is used, the housewrap manufacturer's instructions for flashing a penetration **MUST** be followed.
- Install the interior wall shield firestop by following the instructions in the Cinch Pipe and Termination cap instructions.





### WARNING

Hearth & Home Technologies disclaims any responsibility for, and the warranty will be voided by, the following actions:

- Installation and use of any damaged vent system component.
- Modification of the vent system.
- Installation other than as instructed by Hearth & Home Technologies.
- Installation and/or use of any component part not approved by Hearth & Home Technologies.

**Any such action may cause a fire hazard.**

4. Install the telescoping flue section included with the cap on the last section of flue pipe.



### WARNING

Fire Hazard

Impaired performance of appliance

- Telescoping flue section of termination cap **MUST** be used when connecting pipe section to termination cap.
- Maintain a 1-1/2 inch minimum overlap on telescoping flue section of termination cap.

5. Remove the three bolts from the firebrick cap face to separate the firebrick part of the cap from the metal backplate (see Figure 1).
6. Slide the backplate, with the 8 inch collar on it, onto the flue pipe from the fireplace. For thinner wall construction, you may have to trim the heat shield on the metal backplate and interior wall shield firestop.



### WARNING

Fire Risk  
Exhaust Fumes Risk  
Impaired Performance of Appliance

- Overlap pipe slip sections at least 1-1/2 inches.
- Use pilot holes for screws.
- Screws must not exceed 1 inch long.
- Pipe may separate if not properly joined.



**NOTE:** The heat shield on the interior wall shield firestop and the heat shield on the metal backplate must overlap 1-1/2 inches. If wall thickness does not allow the required 1-1/2 inch heat shield overlap, an extended heat shield must be used.

7. Secure the backplate to the wall with four appropriate length screws from the hardware pack.
8. Seal the backplate to the housewrap or sheathing. Follow housewrap manufacturer's instructions for sealing a penetration when applicable.
9. Slide the firebrick part of the cap onto the backplate by aligning the 5 inch collar with the 5 inch flue pipe coming from the fireplace. Slide the two pieces together until the firebrick part bottoms out on the backplate.
10. Replace the three bolts removed in step 2. **DO NOT OVERTIGHTEN THE BOLTS.**

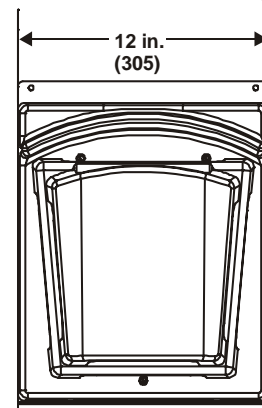
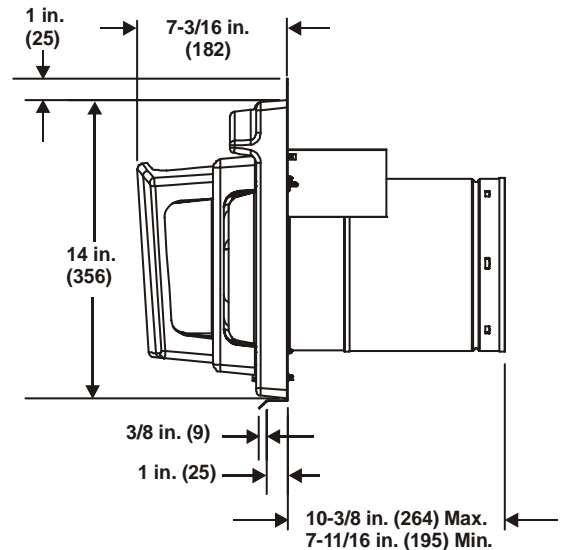
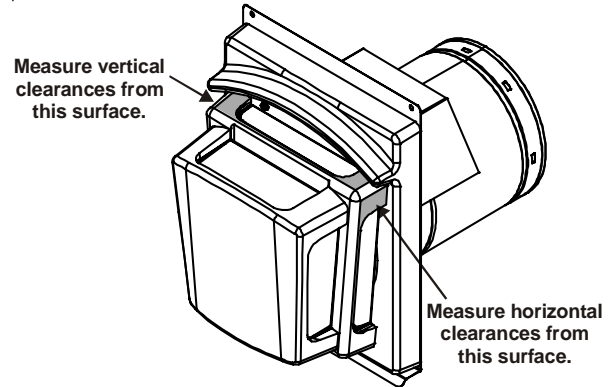


Figure 2.

## Finishing

The DVP-FBHT cap may be stained or painted. The cap is subject to high temperatures and stain is preferred over paint. Laxtex paints may be used, but light colored paints may discolor slightly. A water-based stain is recommended for maximum life.

### CAUTION

Risk of Water Intrusion or Impaired Performance

- Do NOT use exterior finishing materials thicker than 1-1/2 inch cap base.
- The flashing bend at bottom of metal backplate MUST be on top of exterior finishing material for proper drainage.
- Maintain 1-1/2 inch minimum overlap on telescoping flue section and wall shield firestop when adjusting for wall thickness.

If the firebrick section of the cap is going to be left off until after the structure's exterior is finished, do **NOT** place exterior finishing materials over the metal backplate. Only the top 1 inch of the metal backplate can be covered with finishing material (see Figure 1).

### CAUTION

Water Damage Risk

The flashing bends on the bottom of the metal backplate MUST be clearly on top of the exterior for proper drainage.

Caulk the outer sides and top of the cap. Do not caulk the bottom edge with the flashing bends on it.

### CAUTION

Potential Risk of Damage to Finish

- Do NOT expose this cap to acid.
- Remove the firebrick section of the cap if using acid to clean surrounding masonry.

## Service Parts List

DESCRIPTION	SERVICE PART NO.
Wall Shield	25259
Fastener Pack	32210
Slip Section	4033-012