



**Synway TEJ Series**

**TEJ-1A/PCI**

**TEJ-2A/PCI**

**TEJ-4A/PCI**

# **User Manual**

**Version 1.0.0**

**Synway Information Engineering Co., Ltd**

**[www.synway.net](http://www.synway.net)**

# Contents

<b>Contents</b> .....	<b>i</b>
<b>Copyright Declaration</b> .....	<b>ii</b>
<b>Software License Agreement</b> .....	<b>iii</b>
<b>Revision History</b> .....	<b>iv</b>
<b>Preface</b> .....	<b>v</b>
<b>Chapter 1 Overview</b> .....	<b>1</b>
1.1 Echo Cancellation.....	2
1.2 What is Asterisk .....	3
1.3 Asterisk as a Switch (PBX) .....	3
1.4 Asterisk as a Gateway .....	4
1.5 Asterisk in the Call Center .....	4
1.6 Asterisk in the Network .....	4
<b>Chapter 2 Board Installation</b> .....	<b>5</b>
2.1 Attention on Unpacking.....	5
2.2 Outgoing Inspection.....	5
2.2.1 Board Classification.....	5
2.2.2 Hardware Structure & Board Features.....	5
2.3 Interface Identification .....	8
2.4 Slot Compatibility .....	8
2.5 Hardware Installation .....	9
2.6 Software Installation .....	10
2.6.1 System Requirements .....	10
2.6.2 Installation Package .....	10
2.6.3 Driver Installation.....	11
2.6.4 Driver Uninstallation .....	12
<b>Chapter 3 Configuration</b> .....	<b>13</b>
3.1 E1 .....	13
3.2 T1/J1.....	14
3.3 Configuration Testing.....	15
<b>Chapter 4 FAQ</b> .....	<b>18</b>
<b>Appendix A Technical Specifications</b> .....	<b>19</b>
<b>Appendix B Technical/Sales Support</b> .....	<b>20</b>

## Copyright Declaration

This manual is provided by Synway Information Engineering Co., Ltd (hereinafter referred to as 'Synway') as the support file for 'Synway TEJ Series board driver software'. Both the software and this manual are copyrighted and protected by the laws of the People's Republic of China.

All rights reserved; no part of this manual may be extracted, modified, copied, reproduced or transmitted in any form or by any means, electronic or mechanical, without prior written permission from Synway. By using this manual, you agree to the following *Software License Agreement*.

Synway reserves the right to revise this manual without prior note. Please contact Synway for the latest version of this manual before placing an order.

Synway has made every effort to ensure the accuracy of this manual but does not guarantee the absence of errors. Moreover, Synway assumes no responsibility in obtaining permission and authorization of any third party patent, copyright or product involved in relation to the use of this manual.

**Note:** Asterisk and Digium mentioned in this book are registered trademarks of Digium Inc.

## Software License Agreement

Synway Information Engineering Co., Ltd (hereinafter referred to as 'Synway') owns the copyright of 'this software and its accessories, relative files and archives' (hereinafter referred to as 'this product'). Any company or person can download the corresponding driver software and other useful documents for free directly from our website after purchasing a board of Synway.

## Revision History

Version	Date	Comments
Version 1.0.0	2008-9	Initial publication

**Note: Only major revisions to this manual itself recorded herein.**

## Preface

Thank you for choosing the Synway AST series boards which are designed to fully support Asterisk platform. This series includes four subseries.

Subseries	Description
Synway FXM	Use of modular structure and analog lines
Synway FXS	Use of analog lines, equipped with much more on-board channels than FXM.
Synway TEJ	Use of digital trunks (E1/T1/J1)
Synway CDC	CODEC board

Compared with other products in Synway AST series, the TEJ board has high integration. It is integrated with the capability of 64ms echo cancellation, eliminating the need of getting supports from extra modules or devices, bringing an obviously better effect of echo cancellation than other subseries in AST.

The Synway TEJ driver program, as a link between the board hardware and Asterisk, is only used to set up the Asterisk platform, but not applicable to secondary development. Each board model in the Synway TEJ series has its corresponding driver package, which is elaborated in the following text. This manual, as the help file for hardware installation, software installation and configuration of the Synway TEJ series, aims at those installation and maintenance technicians as well as the salesmen who are using the TEJ boards to set up Asterisk application systems.

This document consists of the following chapters.

Chapter 1 introduces the Asterisk application model and scenario set up by the Synway TEJ series boards and tells what is Asterisk.

Chapter 2 describes the on-board jacks as well as the slot compatibility, and then tells how to install boards on PC by examples.

Chapter 3 elaborates the board configuration.

Appendix A gives the technical specifications for all TEJ board models available now.

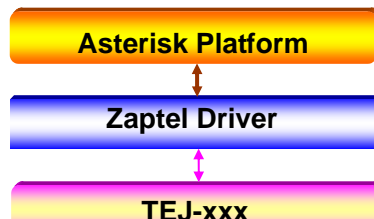
Appendix B shows the contact way of technical support and sales department in Synway.

Although Synway has scrupulously checked through this manual, but cannot guarantee the absence of errors and omissions. We sincerely apologize for any consequent inconvenience brought to you and will be very grateful if you kindly give your advice regarding amendments to this book.

## Chapter 1 Overview

The Synway TEJ series (hereinafter referred to as 'TEJ') are high-performance, cost-effective digital telephony interface boards and support E1, T1 and J1 environments. The environments are selectable on a per-board basis via software configuration. The TEJ boards improve I/O speed by using DMA technique for data reading and writing on the basis of PCI bus, resulting in reduced CPU usage and increased board density per server. They provide the power to interconnect traditional telephony systems with emerging Voice-over IP (VoIP) technologies.

The TEJ driver which is compatible and must be used with the Zaptel driver can smoothly and seamlessly support Asterisk system. When using the TEJ board to establish Asterisk platform, all that you should do is configure and operate the Asterisk platform, without the need for secondary development. See Figure 1-1 below for the set-up of the Asterisk application system with the TEJ board.



xxx: represents the existing and future board models in the TEJ series.

Figure 1-1 TEJ Driver Set-up

The excellent combination of the TEJ driver and the Asterisk platform brings the following features to the TEJ series boards.

Supported Data Modes: Cisco HDLC, HDLC, PPP, Multi-link PPP, Frame Relay.

Supported Voice Modes:

- PRI CPE and PRI NET
  - NI1
  - NI2
  - EuroISDN
  - 4ESS(AT&T)
  - 5ESS(Lucent)
  - DMS100
- E&M
  - Wink
  - Feature Group B
  - Feature Group D
- FXO and FXS
  - Ground Start
  - Loop Start
  - Loop Start with Disconnect Detect

The TEJ series connect Asterisk Server with PSTN, Channel Bank or PBX via T1 or E1 interface. The boards and the corresponding drivers can be used to establish a professional telephony network environment. Figure 1-2 and Figure 13 below are typical application models with TEJ.

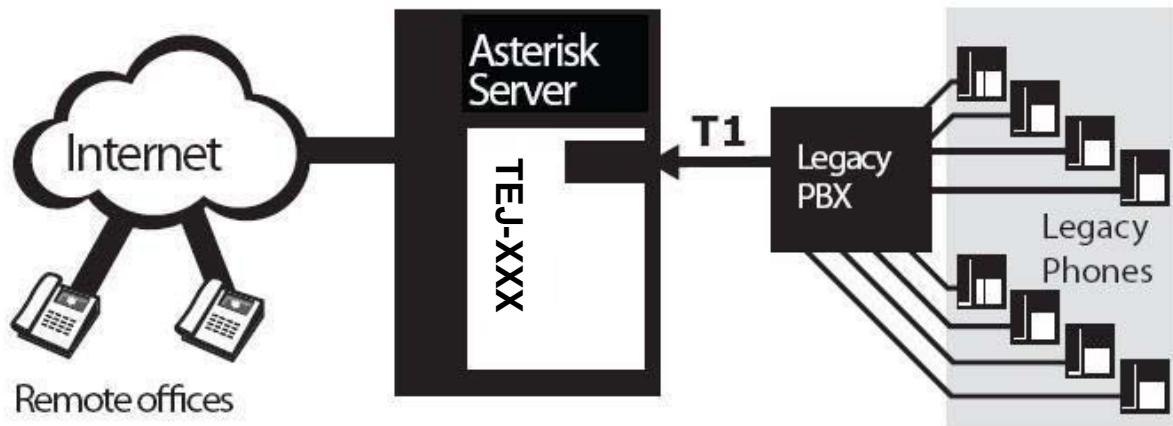


Figure 1-2 Application Model I: Traditional Telephony System

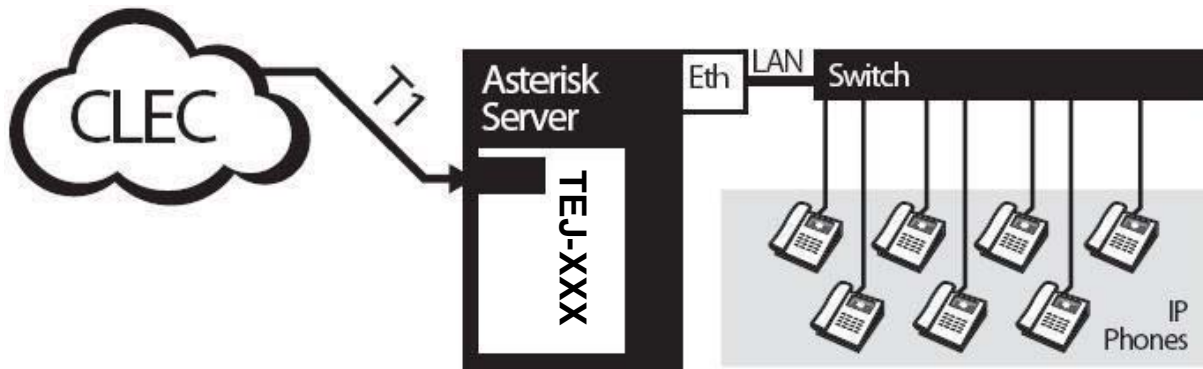


Figure 1-3 Application Model II: VoIP Telephony System

Note: XXX in Figure 1-2 and Figure 1-3 represents the existing and future board models in the TEJ series.

## 1.1 Echo Cancellation

Two sources of echo have primary relevance in telephony: hybrid echo and acoustic echo. Hybrid echo is a linear electrical signal reflection that occurs at the 4-wire to 2-wire conversion point in a PSTN network. Hybrid echo can enter the VoIP network wherever there is a connection between VoIP and PSTN networks. Acoustic echo is non-linear and is caused by poor acoustic isolation between the speaker and the microphone of a user's device (e.g., handset, headset, softphone, speakerphone). It can enter the VoIP network from any source.

Both forms of echo become more noticeable and annoying to the caller with the added delay (especially longer than 30ms) of the IP network. In fact, the added VoIP-induced delay can make what would formerly be considered minor echo annoying enough to cause users to abandon the call.



Hybrid echo is the primary source of echo. Most echo cancellers are designed mainly to eliminate hybrid echoes. Here below illustrates the generation of hybrid echo.

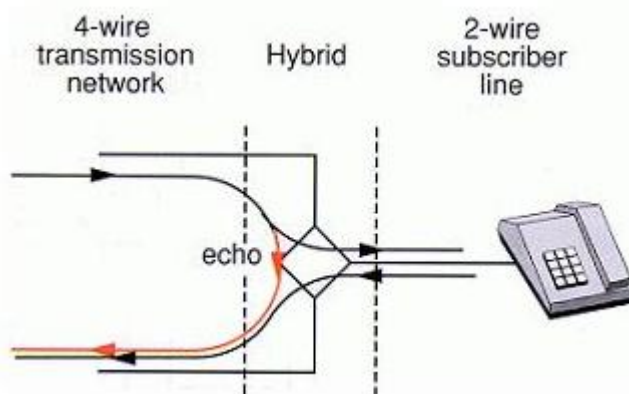


Figure 1-4 Generation of Hybrid Echo

Our TEJ boards integrate the echo cancellation capability and support an echo tail delay of up to 64ms without extra devices or modules, which is unmatched by other like products.

## 1.2 What is Asterisk

Asterisk is the first Open Source PBX, which is developed, maintained and improved by Digium Inc. It can run on Linux and other Unix platforms. The name Asterisk is derived from the all-inclusive 'wildcard' symbol (\*) in UNIX (as well as Linux), a symbol that stands for one or more unspecified characters, used especially in searching text and in selecting multiple files or directories. It implies the wide applicability of this software.

Asterisk has become the basis for thousands of communications solutions. If you need to communicate, Asterisk is your answer. For more information on Asterisk, visit <http://www.asterisk.org> or <http://www.digium.com>.

## 1.3 Asterisk as a Switch (PBX)

Asterisk can be configured as the core of an IP or hybrid PBX, switching calls, managing routes, enabling features, and connecting callers with the outside world over IP, analog (POTS), and digital (T1/E1) connections.

Asterisk runs on a wide variety of operating systems including Linux, Mac OS X, OpenBSD, FreeBSD and Sun Solaris and provides all of the features you would expect from a PBX including many advanced features that are often associated with high end (and high cost) proprietary PBXs. Asterisk's architecture is designed for maximum flexibility and supports Voice over IP in many protocols, and can interoperate with almost all standards-based telephony equipment using relatively inexpensive hardware.

## **1.4 Asterisk as a Gateway**

It can also be built out as the heart of a media gateway, bridging the legacy PSTN to the expanding world of IP telephony. Asterisk's modular architecture allows it to convert between a wide range of communications protocols and media codecs.

## **1.5 Asterisk in the Call Center**

Asterisk has been adopted by call centers around the world based on its flexibility. Call center and contact center developers have built complete ACD systems based on Asterisk. Asterisk has also added new life to existing call center solutions by adding remote IP agent capabilities, advanced skills-based routing, predictive and bulk dialing, and more.

## **1.6 Asterisk in the Network**

Internet Telephony Service Providers (ITSPs), competitive local exchange carriers (CLECS) and even first-tier incumbents have discovered the power of open source communications with Asterisk. Feature servers, hosted services clusters, voicemail systems, pre-paid calling solutions, all based on Asterisk have helped reduce costs and enabled flexibility.

## Chapter 2 Board Installation

### 2.1 Attention on Unpacking

When you unpack the board, please check if it is damaged or corrupted during transportation. In case of any loss, take your bill of documents and contact the seller or dial the phone number listed in [Appendix B](#) to consult.

Note: Only the trained and qualified service people are allowed to reinstall the board. Users had better not do it by themselves.

### 2.2 Outgoing Inspection

#### 2.2.1 Board Classification

All board models in the TEJ series are listed in the table below.

Series	Bus	Board Model	Feature
TEJ	PCI 2.2	TEJ-1A/PCI	1 universal PCI interface
TEJ	PCI 2.2	TEJ-2A/PCI	2 universal PCI interfaces
TEJ	PCI 2.2	TEJ-4A/PCI	4 universal PCI interfaces

Table 2-1 Board Models in TEJ

#### 2.2.2 Hardware Structure & Board Features

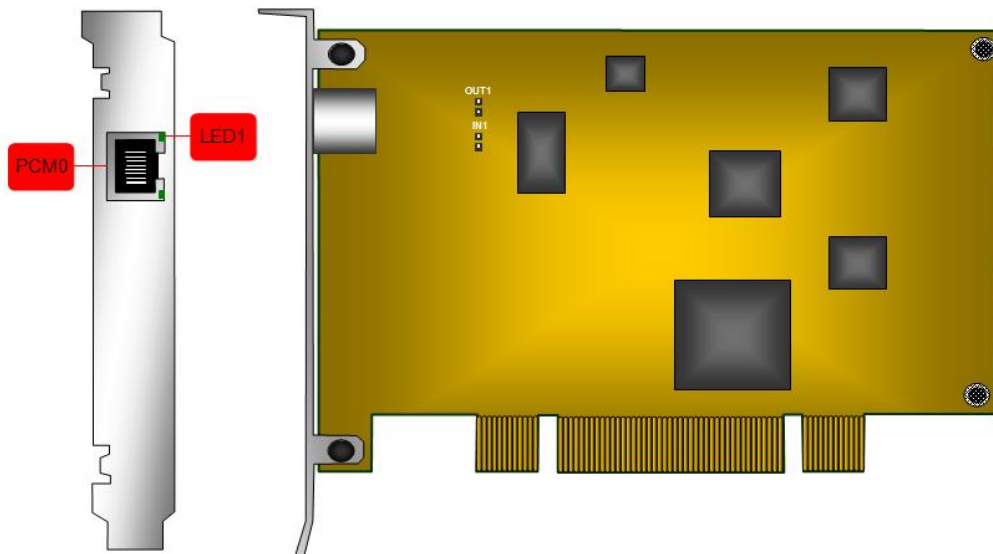


Figure 2-1 TEJ-1A/PCI (Left and Front Views)

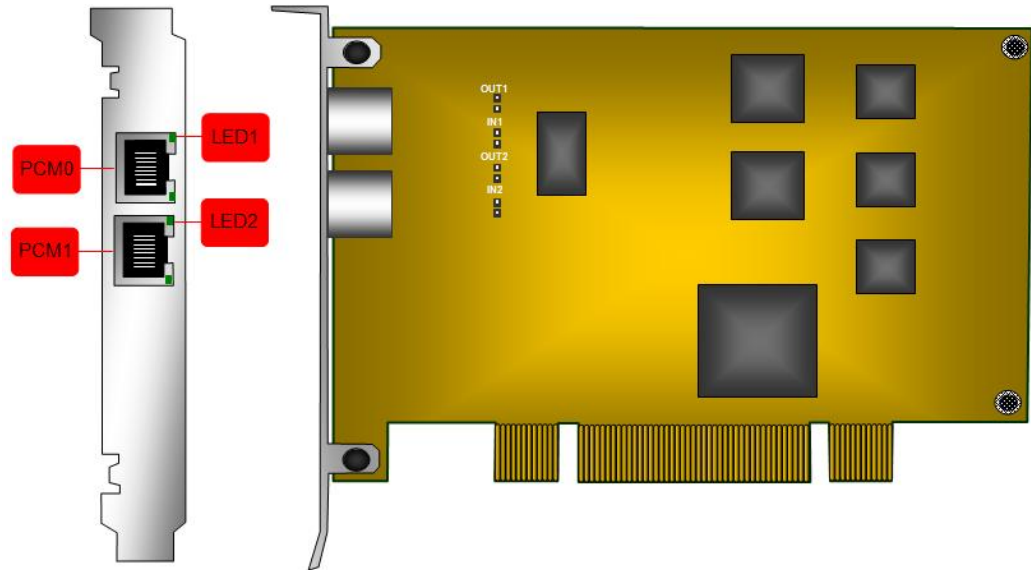


Figure 2-2 TEJ-2A/PCI (Left and Front Views)

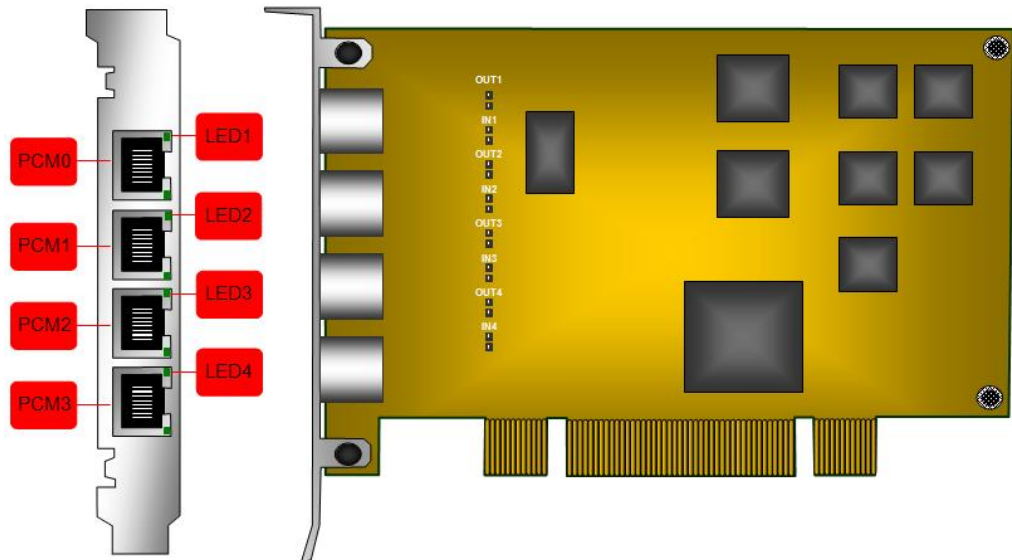


Figure 2-3 TEJ-4A/PCI (Left and Front Views)

**Notes:** As shown in the above figures, PCM0~PCM3 respectively indicate the 4 trunk interfaces while LED1~LED4 represent their synchronization indicators;  
 IN<sub>m</sub> and OUT<sub>m</sub> refer to the grounding jumpers respectively at the receiving and transmitting ends for PCM(m-1), m=1~4.

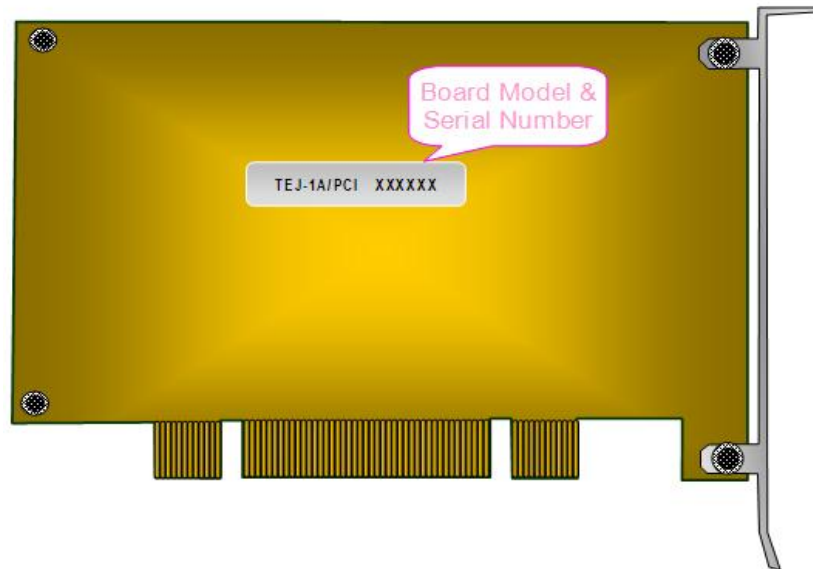


Figure 2-4 TEJ-1A/PCI (Rear View)

**See below for characteristic features of TEJ boards.**

**1. PCI 2.2 Bus Support**

Includes PCI 2.2 bus with burst data transmission rate up to 132 MB/s; PNP (plug and play) feature eliminates the need for jumper leads; universal PCI design supports 3.3V/5V PCI slot.

**2. DMA Read and Write**

The use of PCI-based DMA technique for data reading and writing helps minimize the cost of the host CPU.

**3. Compatible with Asterisk**

Entirely compatible with Asterisk at the hardware/driver level, with all source codes open.

**4. RJ48C Jack**

TEJ-1A/PCI, TEJ-2A/PCI and TEJ-4A/PCI boards respectively have 1, 2 and 4 RJ48C jacks which can either connect directly with digital trunks or convert to BNC connectors via a proper adapter, making connection easy and malfunctions rare.

**5. Echo Cancellation**

The self-adaptive echo cancellation feature gives the board the capability of 64ms echo cancellation so as to effectively eliminate echoes under various conditions, canceling out the effect of voice playback on DTMF and busy tones detection, avoiding self-excited oscillation and howling, and minimizing the possibility of registering wrong DTMF and busy tones in a conference call, designed especially for VoIP application environments.

**6. Voice CODEC Support**

Supports A-law,  $\mu$ -law codecs.

## 2.3 Interface Identification

It's quite important to recognize different kinds of interfaces, as such information is necessary for configuration of Asterisk platform. In real practice, not all interfaces on the board are used at a same time. When to use which interface depends on the installed modules and their particular positions on the board.

All TEJ series boards adopt 8-pin RJ48C jack. See below for the pin layout of RJ48C.

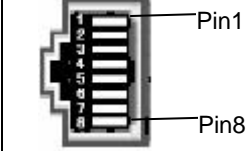
	Pin	Note
	1	RRing
	2	RTip
	3	Not used
	4	TRing
	5	TTip
	6	Not used
	7	Not used
	8	Not used

Table 2-2 RJ48C

## 2.4 Slot Compatibility

Make sure it compatible with PCI slots when using a TEJ board. Users may choose whichever suitable according to the slot patterns illustrated in Figure 2-5 below.

Slots

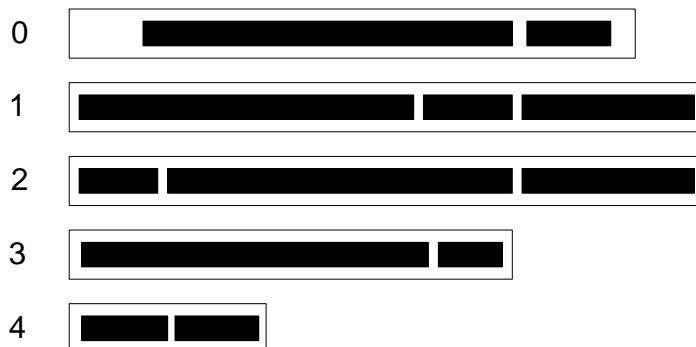


Figure 2-5 Board with PCI Slot

Slot Number:

- 0: AGP Pro Slot
- 1: 64-bit 5.0V PCI Slot
- 2: 64-bit 3.3V PCI Slot

- 3: 32-bit 5.0V PCI Slot
- 4: PCI-E Slot

The TEJ-1A/PCI, TEJ-2A/PCI and TEJ-4A/PCI boards include PCI 2.2 bus and support 3.3V/5V PCI slots. That is, they support the slots numbered 1, 2 and 3 in Figure 2-5, but don't support the slot numbered 0 (AGP slot). The available PNP (plug and play) feature eliminates the need for jumper leads.

## 2.5 Hardware Installation

**Note: Always turn off the power before installation!**

### Step 1: Configure the grounding jumper.

Disconnect all grounding jumpers in the use of 100ΩT1, 110ΩJ1 or 120ΩE1 balanced twisted-pair cable.

In consideration of various line conditions, this series boards are equipped with two groups of grounding jumpers on each channel which respectively control the groundings of the transmitting and receiving ends. In case the 75ΩE1 unbalanced coaxial cable is used, the grounding jumpers at the receiving end should be disconnected while those at the transmitting end should be short-circuited, provided that the PC is properly grounded. This configuration is the factory default setting and applicable to most situations so that there is usually no need to change it. If it is difficult to ground the local PC, you may short-circuit the on-board grounding jumper at the receiving end and use the transmitting end at the opposite terminal for grounding. If the receiving end at the opposite terminal is grounded (improper operation), the on-board grounding jumper at the transmitting end must be disconnected. Refer to Table 2-3 for details.

Generally speaking, even in the case of proper grounding at both terminals, only the external layer of the E1 coaxial cable at the transmitting end is allowed to be grounded. The grounding of both transmitting and receiving ends may result in a current loop with ground wires, bringing instability to signals. Therefore, such grounding must be strictly avoided.

Opposite Terminal \ Local Terminal	Transmit End	grounded	grounded	non-grounded	non-grounded
	Receive End	non-grounded	grounded	non-grounded	grounded
PC grounded	Transmit End	short-circuited	disconnected	short-circuited	disconnected
	Receive End	disconnected	disconnected	short-circuited	short-circuited
PC not grounded	Transmit End	short-circuited	short-circuited	manage to make the PC grounded	short-circuited
	Receive End	short-circuited	disconnected		short-circuited

Table 2-3 Configuration of Grounding Jumpers for Use of 75ΩE1 Unbalanced Coaxial Cable

**Step 2: Properly fit the board onto the PC chassis.**

It is suggested to fix the L-brackets on the board with screws before going to the next step.

**Step 3: Connect to digital trunks.**

Each board provides 1~4 RJ48C jacks, each of which can either connect directly with digital trunks or convert to 2 BNC connectors via an RJ48C-to-BNC adapter. See Figure 2-6 below.

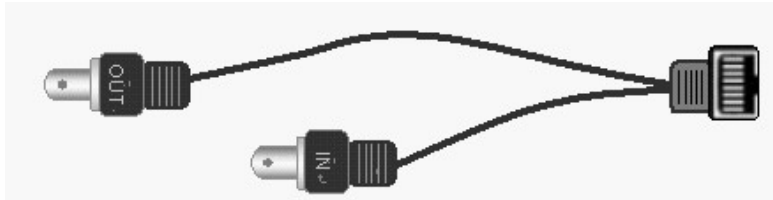


Figure 2-6 RJ48C-to-BNC Adapter

**Step4: Set up an application environment.**

Connect digital trunks with the on-board RJ48C jacks to establish an application environment.

**Step5: Boot your computer and install the driver.**

Regarding driver installation, refer to Section 2.6 for details.

## 2.6 Software Installation

### 2.6.1 System Requirements

Host System Requirements

CPU: 800MHz Intel® Pentium®III or above

Memory: 64M or more

HD: Depends on individual requirements

Supported Operating Systems

- ✓ Linux: Debian, Fedora, Rad Hat

### 2.6.2 Installation Package

The driver installation package includes all necessary files for installation and use of the Synway TEJ driver. See below for details.

No.	Filename	Description
1	tejxapci-1.0.0.tar.gz	TEJ driver
2	AST TEJ_UserManual.doc	User manual for this driver (English version)
3	AsteriskTFOT.zip	Introduction to installation and configuration of Asterisk (official provision)



**Notes:**

1. **tejxapci-1.0.0.tar.gz** can only be installed with the help of the Zaptel driver and started by running Asterisk.
2. The Zaptel driver must be installed for compilation and operation of this driver.
3. This driver supports the version of zaptel-1.4. So we recommend zaptel1-1.4.8 and Asterisk-1.4.17. for your use, which can be downloaded from the website [www.synway.net](http://www.synway.net) or <http://downloads.digium.com/pub>.
4. All files within the driver installation package can be downloaded free of charge from [www.synway.net](http://www.synway.net).

### 2.6.3 Driver Installation

**Note:** As for Zaptel driver and Asterisk platform, we use zaptel-1.4.8 和 Asterisk-1.4.17.

See below for driver installation procedures.

**Step 1: Login to the system (users with root access only)****Step 2: Compile and install Libpri**

Copy the file libpri-1.4.7.tar.gz to the target directory /opt and execute the following commands to perform compilation of the libpri library.

```
#cd /opt
#tar -xvf libpri-1.4.7.tar.gz
#cd libpri-1.4.7
#make
#make install
```

**Step 3: Compile and install Zaptel**

Copy the file zaptel-1.4.8.tar.gz to the target directory /opt and execute the following commands to perform compilation of the Zaptel driver.

```
#cd /opt
#tar -xvf zaptel-1.4.8.tar.gz
#cd zaptel-1.4.8
#make
#make install
```

Copy tejxapci-1.0.0.tar.gz to the directory of zaptel-1.4.8 and execute the following commands.

```
#cd /opt/zaptel-1.4.8
#tar -xvf tejxapci-1.0.0.tar.gz
#cd tejxapci
#make
```

Complete the driver compilation for the TEJ series boards.

**Step 4: Compile and install Asterisk**

Copy the file Asterisk-1.4.17.tar.gz from the CD to the target directory of /opt (or some

```
other directory).
#cd /opt
#tar -xvf Asterisk-1.4.17.tar.gz
#cd Asterisk-1.4.17
#./configure
#make
#make install
Complete Asterisk compilation.
```

**Step 5: Load the driver**

```
#cd /opt
#cd zaptel-1.4.8
#modprobe zaptel
#cd tejaxpci
#insmod tejaxpci.ko TEJMODE=X    (X=1: T1; X=2: J1; Default Setting: E1)
```

**Step 6: Start Asterisk (Make sure all previous configurations are correct. See Chapter 3 for details.)**

```
#ztcfg -vv
#asterisk -vvvc
*CLI> zap show channels
```

## 2.6.4 Driver Uninstallation

**Step 1: Uninstall the driver for TEJ boards**

Execute the command: `rmmod tejaxpci`

**Step 2: Check if the driver uninstallation is successful**

Execute the command: `lsmod`

Check if the driver has been successfully uninstalled. If successful, the item `tejaxpci` will not be shown in the execution result.

## Chapter 3 Configuration

This chapter cites a simple configuration instance to explain how to configure Asterisk platform to meet individual application requirements. Once getting familiar with this instance, you are able to compile this configuration file for some goals you want.

### 3.1 E1

#### **/etc/zaptel.conf**

```
loadzone = us
defaultzone=us

span=1,1,0,ccs,hdb3
span=2,0,0,ccs,hdb3
span=3,0,0,ccs,hdb3
span=4,0,0,ccs,hdb3

bchan=1-15,17-31
dchan=16
bchan=32-46,48-62
dchan=47
bchan=63-77,79-93
dchan=78
bchan=94-108,110-124
dchan=109
```

#### **/etc/asterisk/zapata.conf**

```
[channels]
context=exampletest
switchtype=national

group=1
signalling=pri_net      ;ISDNNET
channel => 1-15,17-31
group=2
signalling=pri_net      ;ISDNNET
channel => 32-46,48-62
group=3
signalling=pri_net      ;ISDNNET
channel => 63-77,79-93
```

```
group=4
signalling=pri_net      ;ISDNNET
channel => 94-108,110-124
```

### **/etc/asterisk/extensions.conf**

```
[exampletest]
exten => 1000,1,Dial(zap/ g1,50)
exten => 1000,n,playback(hello-world)
exten => 1000,n,Hangup()
```

The above configuration is for 4 E1 (ISDNNET), and extensions.conf only configures such a circumstance of dialing 1000 to connect with the first E1.

## **3.2 T1/J1**

### **/etc/zaptel.conf**

```
loadzone = us
defaultzone=us

span=1,1,0,esf,b8zs
span=2,0,0,esf,b8zs
span=3,0,0,esf,b8zs
span=4,0,0,esf,b8zs

bchan=1-23
dchan=24
bchan=25-47
dchan=48
bchan=49-71
dchan=72
bchan=73-95
dchan=96
```

### **/etc/asterisk/zapata.conf**

```
[channels]
context=exampletest
switchtype=national

group=1
signalling=pri_net      ;ISDNNET
channel => 1-23
```

```
group=2
signalling=pri_net      ;ISDNNET
channel => 25-47
group=3
signalling=pri_net      ;ISDNNET
channel => 49-71
group=4
signalling=pri_net      ;ISDNNET
channel => 73-95
```

### **/etc/asterisk/extensions.conf**

```
[exampletest]
exten => 1000,1,Dial(zap/ g1,50)
exten => 1000,n,playback(hello-world)
exten => 1000,n,Hangup()
```

The above configuration is for 4 T1/J1 (ISDNNET), and extensions.conf only configures such a circumstance of dialing 1000 to connect with the first T1/J1.

## **3.3 Configuration Testing**

**Step 1: Enter the following command to configure the board**

```
#ztcfg -vv
```

**Step 2: Enter the following command to connect Asterisk**

```
#asterisk -vvvc
```

**Step 3: Check the state of channel connection upon a successful start**

```
*CLI> zap show channels
```

**Notes:**

- ① In Step 1, if zaptel.conf is properly configured, the printed information displayed after you enter the command ztcfg -vv should be something like the following.

```
Zaptel Version: 1.4.8
Echo Cancellor: MG2
Configuration
=====
```

```
SPAN 1: CCS/HDB3 Build-out: 0 db (CSU)/0-133 feet (DSX-1)
```

```
Channel map:
```

Channel 01: Clear channel (Default) (Slaves: 01)  
Channel 02: Clear channel (Default) (Slaves: 02)  
Channel 03: Clear channel (Default) (Slaves: 03)  
Channel 04: Clear channel (Default) (Slaves: 04)  
Channel 05: Clear channel (Default) (Slaves: 05)  
Channel 06: Clear channel (Default) (Slaves: 06)  
Channel 07: Clear channel (Default) (Slaves: 07)  
Channel 08: Clear channel (Default) (Slaves: 08)  
Channel 09: Clear channel (Default) (Slaves: 09)  
Channel 10: Clear channel (Default) (Slaves: 10)  
Channel 11: Clear channel (Default) (Slaves: 11)  
Channel 12: Clear channel (Default) (Slaves: 12)  
Channel 13: Clear channel (Default) (Slaves: 13)  
Channel 14: Clear channel (Default) (Slaves: 14)  
Channel 15: Clear channel (Default) (Slaves: 15)  
Channel 16: D-channel (Default) (Slaves: 16)  
Channel 17: Clear channel (Default) (Slaves: 17)  
Channel 18: Clear channel (Default) (Slaves: 18)  
Channel 19: Clear channel (Default) (Slaves: 19)  
Channel 20: Clear channel (Default) (Slaves: 20)  
Channel 21: Clear channel (Default) (Slaves: 21)  
Channel 22: Clear channel (Default) (Slaves: 22)  
Channel 23: Clear channel (Default) (Slaves: 23)  
Channel 24: Clear channel (Default) (Slaves: 24)  
Channel 25: Clear channel (Default) (Slaves: 25)  
Channel 26: Clear channel (Default) (Slaves: 26)  
Channel 27: Clear channel (Default) (Slaves: 27)  
Channel 28: Clear channel (Default) (Slaves: 28)  
Channel 29: Clear channel (Default) (Slaves: 29)  
Channel 30: Clear channel (Default) (Slaves: 30)  
Channel 31: Clear channel (Default) (Slaves: 31)

31 channels to configure.

- ② In Step 3, if `zaptel.conf` is properly configured, the printed information after it successfully starts Asterisk should be something like the following:

```
*CLI> zap show channels
```

Chan	Extension	Context	Language	MOH	Interpret
	pseudo	TEJtext			default
	1	TEJtext			default
	2	TEJtext			default
	3	TEJtext			default
	4	TEJtext			default

5	TEJtext	default
6	TEJtext	default
7	TEJtext	default
8	TEJtext	default
9	TEJtext	default
10	TEJtext	default
11	TEJtext	default
12	TEJtext	default
13	TEJtext	default
14	TEJtext	default
15	TEJtext	default
17	TEJtext	default
18	TEJtext	default
19	TEJtext	default
20	TEJtext	default
21	TEJtext	default
22	TEJtext	default
23	TEJtext	default
24	TEJtext	default
25	TEJtext	default
26	TEJtext	default
27	TEJtext	default
28	TEJtext	default
29	TEJtext	default
30	TEJtext	default
31	TEJtext	default

**If zaptel.conf is improperly configured, the system will prompt that this command does not exist after you enter 'zap' into the command line.**

- ③ **Regarding the configurations of SIP and other information, go to the following websites to refer to Asterisk's description.**

<http://www.asteriskdocs.org/modules/news/>

<http://www.voip-info.org/wiki/index.php?page=Asterisk+config+files>

## Chapter 4 FAQ

Here we provide answers to some problems that may occur when using the Synway AST series boards.

**1. In certain Linux system, the following information may appear upon compilation of tejaxpci.**

\*\*\* Warning: "zt\_unregister" [/usr/src/zaptel-1.4.8/ tejaxpci/ tejaxpci.ko] undefined!

\*\*\* Warning: "zt\_register" [/usr/src/zaptel-1.4.8/ tejaxpci/ tejaxpci.ko] undefined!

\*\*\* Warning: "zt\_receive" [/usr/src/zaptel-1.4.8/ tejaxpci/ tejaxpci.ko] undefined!

\*\*\* Warning: "zt\_transmit" [/usr/src/zaptel-1.4.8/ tejaxpci/ tejaxpci.ko] undefined!

\*\*\* Warning: "zt\_hooksig" [/usr/src/zaptel-1.4.8/ tejaxpci/ tejaxpci.ko] undefined!

**Solution:**

This can be resolved by modifying two files Makefile and zaptel.sysconfig under the main directory of zaptel.

**Step1:** Find out the line below in the file Makefile,

```
SUBDIR_MODULES:=wct4xxp wctc4xxp xpp wctdm24xxp wcte12xp
```

Then add tejaxpci to the end of this line.

**Step2:** Add a new line as follows to the file zaptel.sysconfig.

```
MODULES="$MODULES tejaxpci
```



## Appendix A Technical Specifications

### Dimensions

160×107mm<sup>2</sup> (excluding L-bracket)

### Weight

≈100g

### Environment

Operating temperature: 0 °C—55 °C

Storage temperature: -20 °C—75 °C

Humidity: 10%—90% non-condensing

Storage humidity: 10%—90%  
non-condensing

### Input/output Interface

Digital trunk interface:

TEJ-1A/PCI: 1 RJ48C jack

TEJ-2A/PCI: 2 RJ48C jacks

TEJ-4A/PCI: 4 RJ48C jacks

E1 interface: Compliant with G.703,  
including 75Ω unbalanced  
interface and 120Ω balanced  
interface

T1/J1 interface: DSX-1 and CSU line  
build-outs available for  
different extents of signal  
losses, including 100Ω and  
110Ω balanced interfaces

### Audio Specifications

CODEC: CCITT A/μ-Law 64kbps

Distortion: ≤3%

Frequency response: 300-3400Hz (±3dB)

Signal-to-noise ratio: ≥38dB

Echo suppression: ≥40dB

### Maximum System Capacity

Depends on the system consumption of  
Asterisk and the processing capability of  
computer.

### Power Requirements

+3.3V DC: 1000mA

Maximum power consumption: ≤5W

### Audio Encoding & Decoding

A-Law 64kbps

μ-Law 64kbps

### Sampling Rate

8kHz

### Safety

Lightning resistance: Level 4