



Caliber[®] nXt

Direct Vent Gas Fireplace

Shown with Contour front in bronze

heatilator[®]
The first name in fireplaces

Caliber® nXt Series,

High efficiency gas fireplace that economically warms the home!



Shown with Arts & Crafts front in pewter finish

- AFUE heater efficiency of 70%; steady state efficiency of 75%
- The standard wall switch provides complete control at your fingertips by offering an ON/OFF ability, fan control, HI/LOW flame control, pilot function, thermostat capabilities and room temperature display
- Standard 160 cfm fan helps move warmed air into the room
- Choice of six signature Heatilator fronts to create just the right look (one required for unit completion—sold separately)

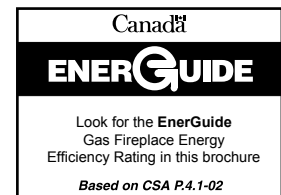
- Optional Heat Zones available to route heated air to other areas of the home
- Top or rear direct vent allows installation along interior or exterior walls, below grade, or in corners
- Sealed combustion chamber uses only outside air for combustion, helping to preserve indoor air quality and prevent negative air pressure problems
- 27,500 to 45,000 Btus/input per hour
- UL tested and listed
- Limited Lifetime Warranty



WSK-MLT-HTL wall control

IntelliFire™ Ignition System

- Eliminates a standing pilot, reducing fuel consumption, saving money and being environmentally friendly
- Dependable in a power outage with battery backup



Efficiencies*			
Model	Thermal	AFUE	Canadian EnerGuide
CNXT4236IT/H	78%	63%	66%
CNXT4236ILT/H	82%	64%	67%
CNXT4842IT/H	84%	71%	69%
CNXT4842ILT/H	84%	69%	71%

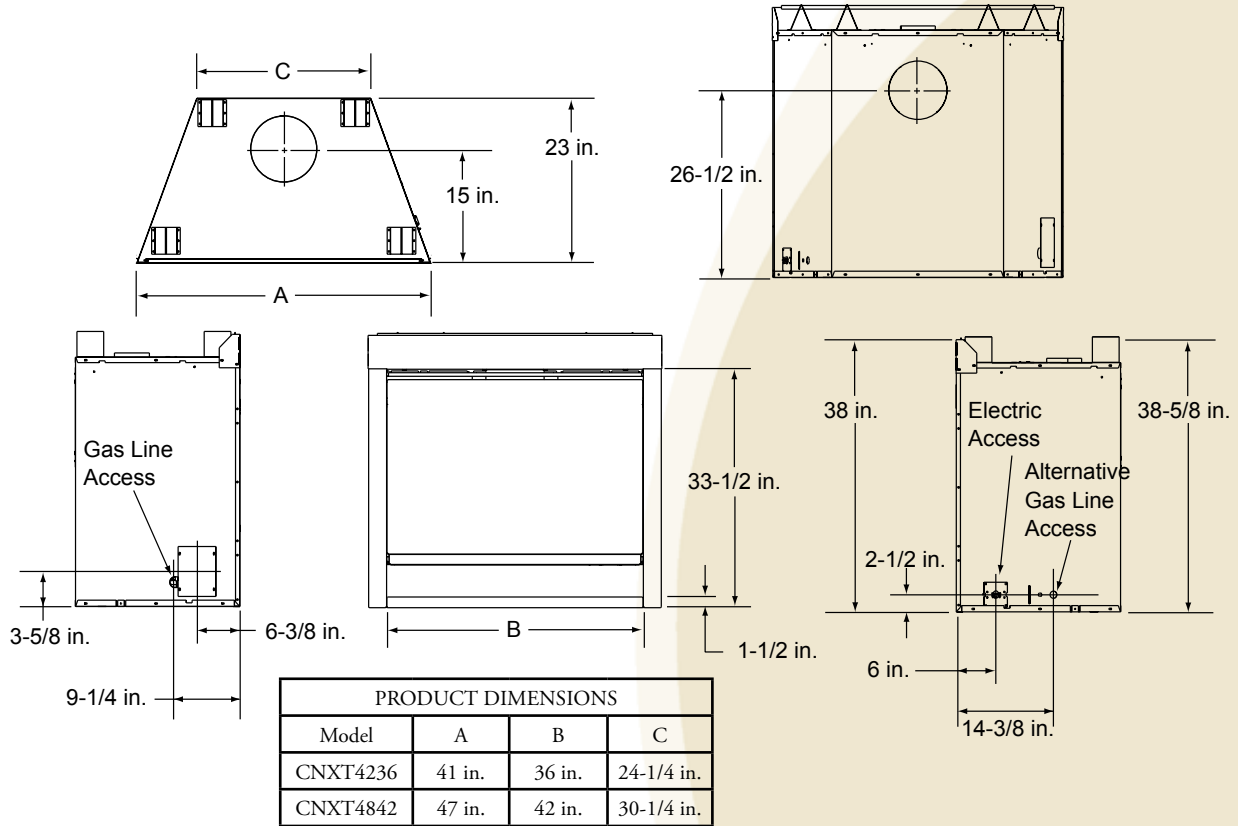
*Heating capacity may differ due to climate, building construction, location of the unit, and comfort level desired

Exceptional Value

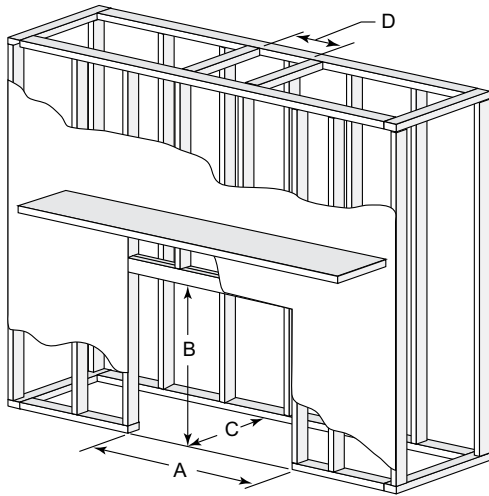
Dependable

Caliber nXt Series Technical Specifications

Product Dimensions

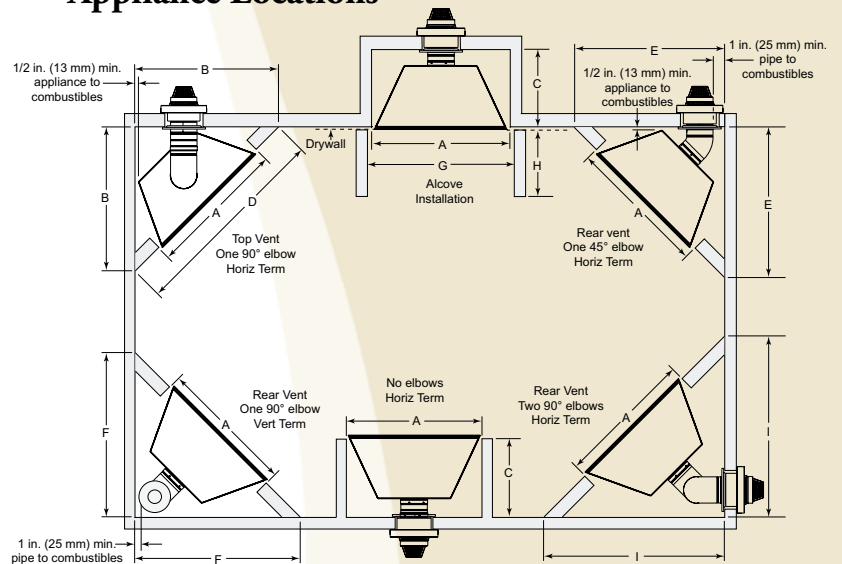


Framing Dimensions



FRAMING DIMENSIONS				
Model	A Rough Opening (Width)	B* Rough Opening (Height)	C Rough Opening (Depth)	D Rough Opening (DVP Pipe)
CNXT4236	42"	38-3/4"	23-1/2"	10"
CNXT4842	48"	38-3/4"	23-1/2"	10"

Appliance Locations



APPLIANCE LOCATIONS									
Model	A	B	C	D	E	F	G	H	I
CNXT4236	42"	50-5/8"	23"	71-5/8"	50-5/8"	52-5/8"	43"	48"	59-3/4"
CNXT4842	48"	55-1/4"	23"	78-1/4"	55-1/4"	55-1/4"	49"	48"	59-3/4"

*NOTE: When finishing the appliance with the Harbor surround, the appliance **must** be raised 1-1/4" off floor. Adjust framing and vent locations accordingly.

Please refer to installation instructions for complete specifications and framing dimensions when installing this product. Go to www.heatilator.com to download.

Caliber® nXt Series

Viewing Size	Model No.	Fuel Choices	Venting
36"	CNXT4236	Natural or LP	Direct Vent
42"	CNXT4842	Natural or LP	Direct Vent

Decorative Fronts (one required)



Modernist
(black, nickel, pewter)



Arts & Crafts
(black, nickel, pewter)



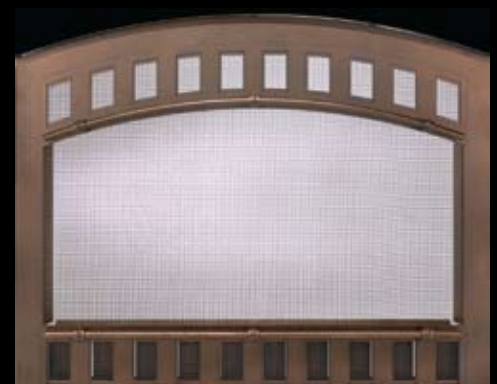
Jamestown
(black, pewter)



Harbor
(bronze, pewter)



Phoenix Retreat
(bronze, pewter)



Contour
(black, bronze)

Options Not Pictured*

Heat Zone
Gas Conversion Kits
Mantels & Surrounds

Venting Accessories*

DVP Cinch Pipe

AVAILABLE FROM

heatilator®
The first name in fireplaces

a brand of Hearth & Home Technologies Inc.

1915 West Saunders Street • Mt. Pleasant, Iowa 52641

800-927-6841 • heatilator.com

The information provided in this literature is for planning purposes only and subject to change. Please consult the installation manual for actual installation. Actual product appearance may differ from product image. The flame and ember appearance may vary based on the type of fuel burned and venting configuration used. For full warranty details, go to heatilator.com.

*Please consult the MSRP book for a complete list of models and optional accessories.