



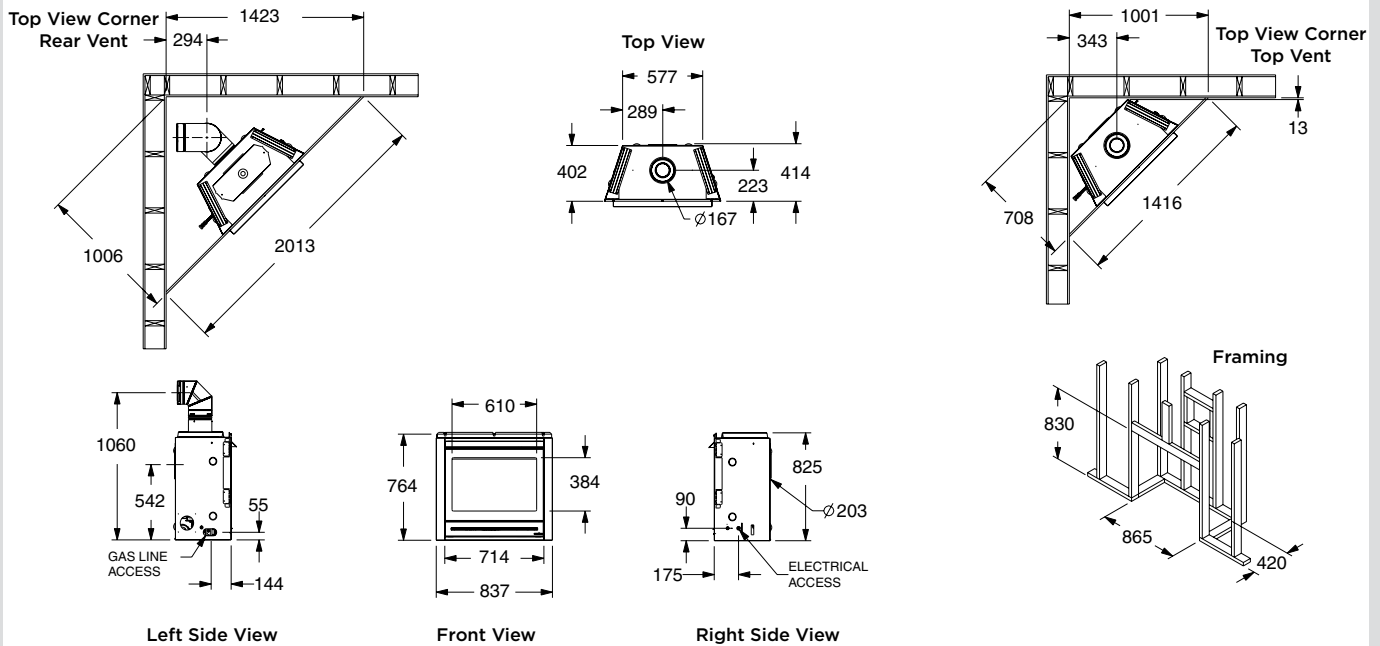
HEAT & GLO™
No one builds a better fire



350
Balanced Flue Gas Fireplace

350 Specifications

MODEL	HEIGHT		FRONT WIDTH		BACK WIDTH		DEPTH		VIEWING AREA	kWh INPUT
	Actual	Framing	Actual	Framing	Actual	Framing	Actual	Framing		
SL-350TRS	825	830	837	865	577	865	414	420	610 x 385	4.3-5.2



Dimensions above are in millimeters and for reference only. We recommend measuring individual units at installation. Assumes the use of 13mm gyprock.

Refer to installation manual for detailed specifications on installing this product. Heat & Glo reserves the right to update units periodically. The flame and ember appearance may vary based on the type of fuel burned and the venting configuration used. Photos in this brochure may vary in color and dimension [size] from the actual product.

350 Features

- Top or rear venting options provide installation flexibility
- Zero clearance provides ease of installation and cost savings
- Realistic ceramic fiber campfire style logs
- Shallow 415mm depth makes it ideal for small spaces
- Balanced flue technology provides a sealed combustion chamber, maintaining indoor air quality
- Energy saving 77% efficiency with the authenticity of a tradition fire
- Standard decorative front with mesh provides clean lines and safety
- Variable speed fan with auto on/off
- Optional wall switch, wall thermostat or remote control offers true convenience – never bend down again to start your fireplace
- 170mm top venting/205mm rear venting
- CE certified

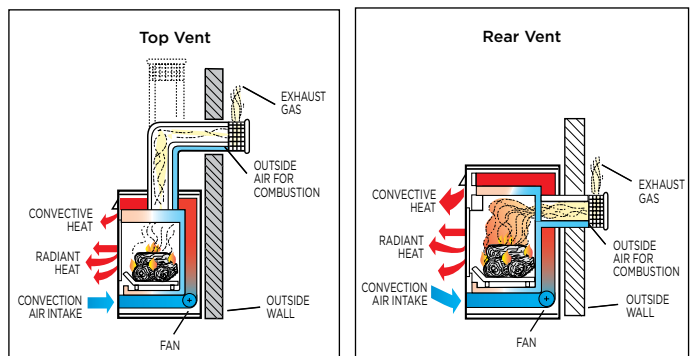
Convenient Control Options

A variety of controls are available. Whether you choose a wall switch, remote control or programmable wall thermostat, you are sure to find the right balance of compatibility and convenience, providing you with total control, even in the event of a power outage.

For complete information and valuable assistance on this model, please contact us at:

Balanced Flue Gas Fireplace

A completely sealed system, Heat & Glo balanced flue gas fireplaces draw 100% of combustion air from the outdoors and exhaust all combustion byproducts back outside, with no affect on indoor air quality. In addition, cold air drafts are eliminated and heat output is maximized. Also requires no electricity, power venting or fan to operate and eliminates the need for a conventional chimney, allowing for installation in nearly any room of the home. TR technology, another Heat & Glo invention, allows for venting off the top or rear, providing even greater placement flexibility.



HEAT & GLO