

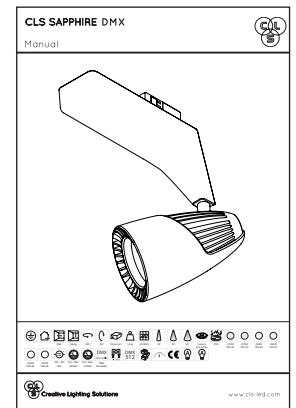
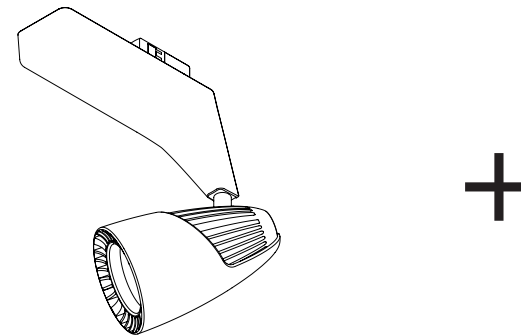
- Index 2
- Safety information 2
- Content 2
- Technical 3
- Specifications 3
- Accessories 3

- Installation 4
- Programming 5
- Magno dimming 6
- Reflector replacement 7
- List of symbols 8

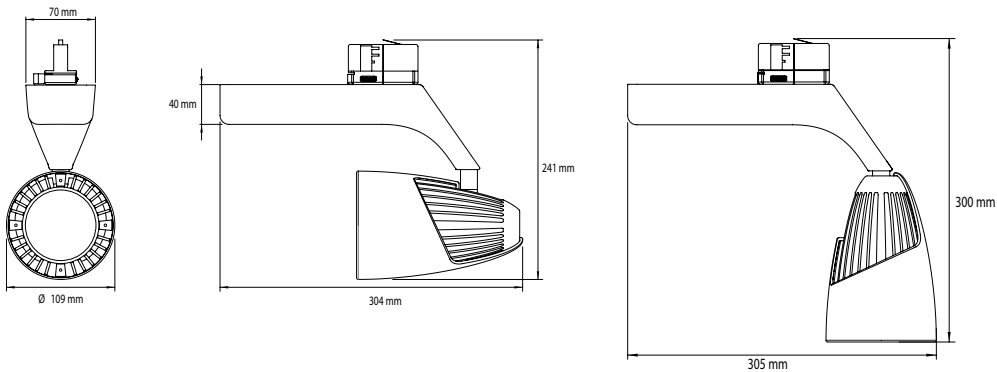
SAFETY INFORMATION

Make sure all connectors are connected properly	Use a source of AC power that complies with local electrical codes	Block access below the work area when maintaining the unit	Don't modify or install genuine parts on this product	Don't install in a flammable or explosive area
				Warning! Some surfaces can be hot

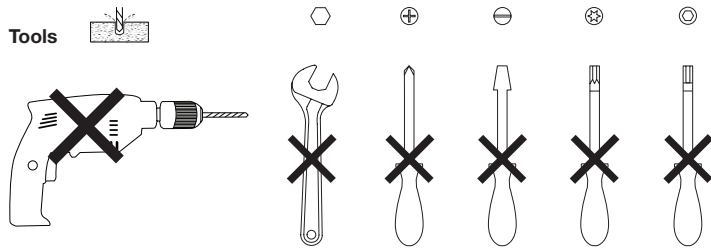
CONTENT







Tools

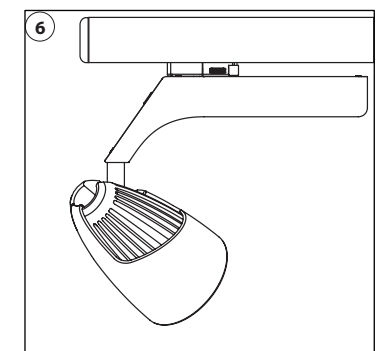
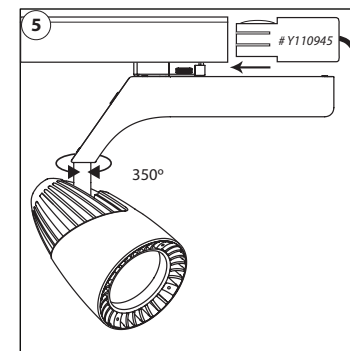
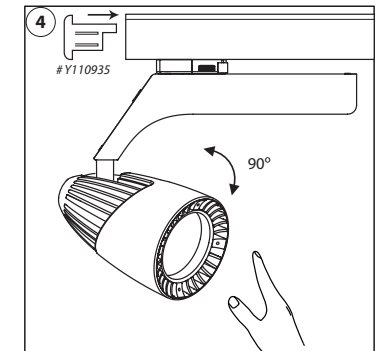
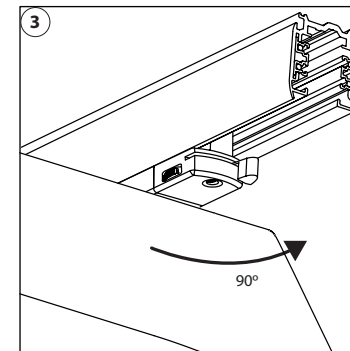
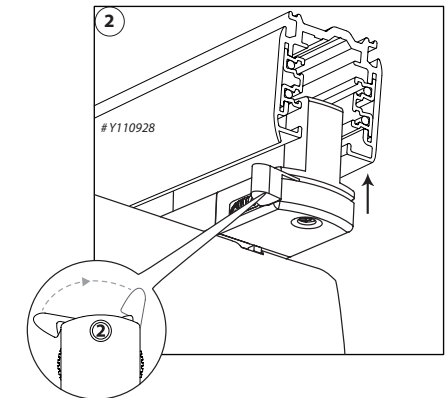
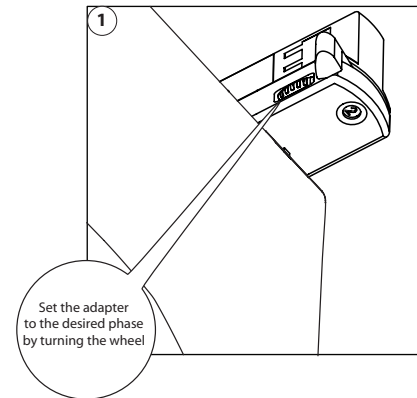


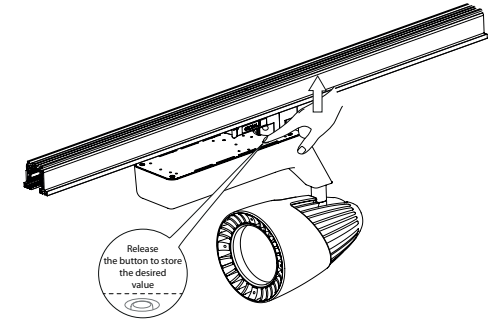
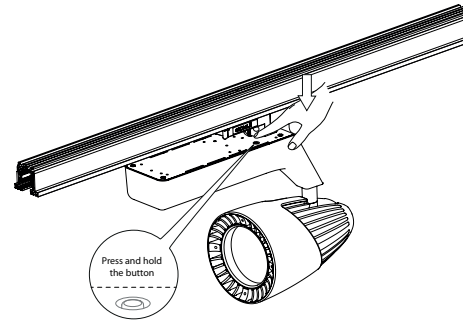
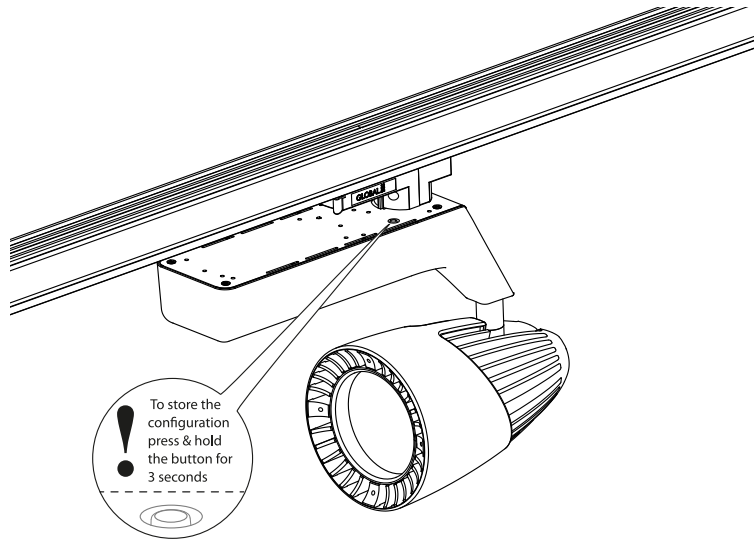
SPECIFICATIONS

LED: 12 or 16 x Luxeon K
 Available colours: CRI>85: 2700K, 3000K, 4000K, 5000K
 CRI>93: 2700K, 3000K
 Beam angle: 18°, 30° & 54°
 Power supply: 180 ~ 264 VAC
 Power factor: > 0,91
 Power consumption: 12 LED; Max. 25 Watt
 16 LED; Max. 37 Watt
 Housing: Anodised aluminum and PC
 Weight: 1,5 kg
 IP value: IP20
 Measurements: 300 x 305 x 109 mm (h x w x d)
 Ambient temperature: -10° C till +40° C

ACCESSORIES

Y108001 CLS Lenina reflector Spot
 Y108002 CLS Lenina reflector Medium
 Y108003 CLS Lenina reflector Flood
 Y108012 CLS 3-fase rail + data 1 meter black
 Y108022 CLS 3-fase rail + data 2 meter black
 Y108032 CLS 3-fase rail + data 3 meter black
 Y108042 CLS 3-fase rail + data 4 meter black
 Y108052 CLS 3-fase rail + data end feed right, black
 Y108055 CLS 3-fase rail + data end feed left, black
 Y108058 CLS 3-fase rail + data middle feed black
 Y108062 CLS 3-fase rail + data end cap black
 Y108072 CLS 3-fase rail + data L-coupler outer black
 Y108075 CLS 3-fase rail + data L-coupler inner black
 Y108100-** CLS 3-fase rail + data other colours on request





Via DMX the Saphire can be configured. After setting the DMX to the desired values just press the button on top of the Saphire, near the adapter. Press and hold the button for approximately 3 seconds (see image), when button is pressed the Saphire will turn on and when programming has finished the Saphire will turn off again. When the light does not turn off after 3 seconds, repower and try again.

Addressing

To configure address (1-255) set data on DMX channel 1:

0 = no changes are made.

1-255 = address is set to 1-255.

To configure address (256-510) set data on DMX channel 2:

0 = no changes are made.

1-255 = address is set to 256-510.

Examples:

Address 132 => set data 132 on DMX channel 1.

Address 278 => set data 23 on DMX channel 2.

Static brightness

When DMX fails or is not present the programmed brightness will become active.

To configure the static function set DMX channel 3 to the desired brightness.

0 = no changes are made.

1 = function disabled.

2-255 = brightness of the fixture.

Soft dim option

When active the Saphire DMX will have soft dim curve.

To configure the soft dim function set data on DMX channel 4

0 = no changes are made.

<127 = function turned off.

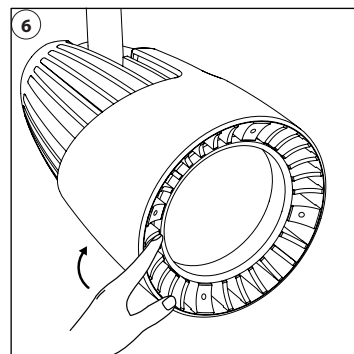
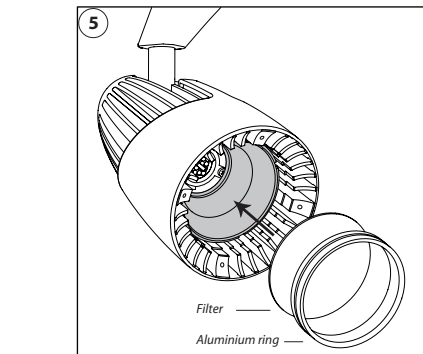
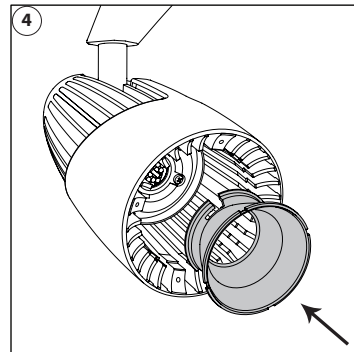
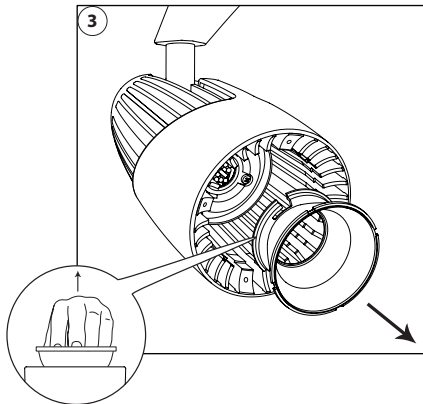
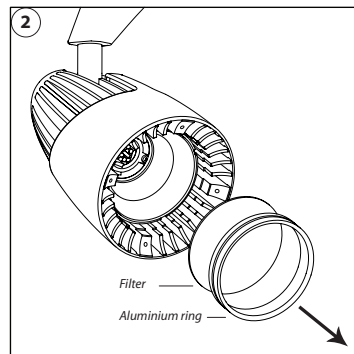
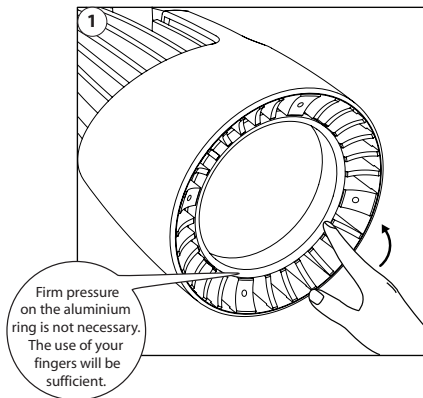
>127 = function turned on.

1. Press and hold the button on top of the Saphire.
2. The Saphire starts slowly dimming from 100 – 1% in approx. 30 seconds. The dimming is very accurate and precise, so steps are very small.
3. At the desired intensity level, release the button on top of the Saphire.
4. After 10 seconds the Saphire flashes one time, the value has been stored on the internal memory.
5. When powering up the Saphire, the stored value will be recalled from the internal memory.
6. If you want to have a lower value, press and hold the button and the Saphire dims further to lower levels. To store the new setting repeat step 3 – 5.
7. If the Saphire is being dimmed to Level 0 and you have not programmed a value, it will automatically start at Level 100 and dim back from 100 - 1 %.

2015 CLS-LED BV. All rights reserved. Information subject to change without notice, CLS-LED BV and all affiliated companies disclaim liability for injury, damage direct or indirect loss, consequential or economic loss or any other loss occasioned by the use of, inability to use or reliance on the information contained in this manual. No part of this manual may be reproduced, in any form or by any means, without permission in writing from CLS-LED BV. Other legal information can be found in our General conditions, found on the back of your CLS-LED BV invoice, inside the CLS catalogue or on our website www.cls-led.com/voorwaarden.pdf

REFLECTOR REPLACEMENT

LIST OF SYMBOLS



	Protection class One, two or three		IP value Ingress Protection classifies the degrees of protection provided against the intrusion of the product
	Application area Indoor or outdoor		Colour Available colours; Amber, blue, red or green
	Application area Floor, wall or ceiling		White colour temperature In different Kelvin values; Cold white, neutral white, warm white or extra warm white
	Swivel Fixture is horizontally rotatable, indicated in degrees		Colour changing RGB, RGB-W, RGB-A or AWB
	Swivel Fixture is vertically rotatable, indicated in degrees		Dynamic White Stepless control of white light
	Multiple connection Daisychain connectivity		Curve Minimal bending curve in centimeters
	Installation depth In centimeters		Cutting length Indicated by the cutting marks
	Installation size In centimeters		LED pitch Pitch between the LEDs in millimeters
	Cable length Maximum cable attached to the fixture in centimeters		Power supply In VDC, VAC or milliAmpere
	Driver Inclusive or exclusive		Power consumption In VA or Watt
	Weight In grams/kilograms		Dimmable 1-10 Volt, Phase, individual or DMX dimmable
	Pressure Maximum pressure on the fixture in kg/cm ²		Magno dimming Accurate dimming from 100 - 1% by using a magnet
	Lifespan Of the light source in hours		DMX input Fixture works on DMX512 protocol
	Lenses Available lenses, indicated in degrees		Combined product Compose your own fixture
	LEDs Kind of LED used in the fixture		Warranty 3 years warranty on the product
	Plug & play Easy connection using the SmartConnect system		Conformité Européenne CE marking for free marketability of industrial goods within the EU
			Energy label