

for the **Champlain** (8300) GAS-
FIRED DIRECT VENT HEATER

READ THIS OWNER'S MANUAL

Operate and maintain this gas heater
according to this instruction manual.
Read This Manual In Its Entirety.

WARNING: If the information in these instructions is not followed exactly, a fire or explosion may result causing property damage, personal injury or loss of life.

Do not store or use gasoline or other flammable vapors and liquids in the vicinity of this or any other appliance.

WHAT TO DO IF YOU SMELL GAS:

- Do not try to light any appliance.
- Do not touch electrical switches; do not use the phone in your building.
- Immediately call your gas supplier from a neighbors phone. Follow your gas suppliers instructions.
- If you cannot reach your gas supplier, call the fire department.

A qualified installer, service agency or gas supplier must perform installation and service.

AVERTISSEMENT: Assurez-vous de bien suivre les instructions donné dans cette notice pour réduire au minimum le risque d'incendie ou pour éviter tout dommage matériel, toute blessure ou la mort.

Ne pas entresposer ni utiliser d'essence ni d'autre vaperurs ou liquides inflammables dans le voisinage de cet apppareil ou de tout autre appareil.

QUE FAIRE SI VOUS SENTEZ UNE ODEUR DE GAZ:

- Ne pas tenter d'allumer d'appareil.
- Ne touchez à aucun interrupteur. Ne pas vous servir des téléphones se trouvant dans le bâtiment où vous vous trouvez.
- Appelez immédiatement votre fournisseur de gaz depuis un voisin. Suivez les instructions du fournisseur.
- Si vous ne pouvez rejoindre le fournisseur de gaz, appelez le service dos incendies.

L'installation et service doit être exécuté par un qualifié installer, agence de service ou le fournisseur de gaz.

INTRODUCTION

Congratulations on your purchase of a Champlain Gas-Fired Direct Vent heater. The Champlain, by HearthStone Cast Iron Stoves, incorporates the latest in balanced vent gas technology, which will provide you with clean, efficient heat for years to come.

The Champlain will provide you with years of practical and convenient service. However, as with any gas appliance, the unit must be properly and safely installed and maintained by qualified service personnel to ensure safe and trouble-free operation.

Your Champlain is equipped with a standard pilot which:

1. generates a milli-volt signal that powers the wall-mounted thermostat and;
2. lights the main burner when the thermostat calls for heat.

This unit is equipped with an On/Off/Thermostat switch and a variable output control. The variable output control is located on the gas control valve. It allows you to vary the heat output, along with the flame height to suit personal taste. Heat output can be reduced {set to "LOW"} during the Fall and Spring, when the need for heat is reduced and increased {set to "HIGH" during Winter months, when the need for heat is the greatest.

A wall-mounted thermostat is provided by HearthStone. Regardless of how you set the variable output control, when the optional thermostat has been installed and the On/Off/Thermostat switch is set to "Thermostat", the wall-mounted thermostat will control the on/off cycling of the unit. At any time, you can override the thermostat

with the On/Off/Thermostat switch by setting it to "ON" or "OFF".

The Unit can also be equipped with an optional blower fan, which turns on and off independently of the burner flames. When the speed switch, which allows you to turn the fan on or off and control the speed of the fan to suit your needs, is set to "On", the fan will automatically turn on when the stove is hot and cycle off when the unit is no longer hot.

Also available are two different optional remote controls. Both of the remote controls are capable of turning the unit on and off. One of the optional remotes also allows you to control the temperature of the stove from anywhere in the vicinity of the unit. If "ON" & "OFF" are the only controls required, Kit # 90-56912 can be used. If you would like to control the temperature via the remote control, use Kit # 90-56914.

READ THIS OWNER'S MANUAL

Operate and maintain this gas heater according to the instructions in this manual. Read this manual in its entirety. This manual has two sections, the first section is for the *OPERATOR*, and the second section is for the *QUALIFIED SERVICE PERSONNEL* only.

HEATER MUST BE INSTALLED AND MAINTAINED BY QUALIFIED SERVICE PERSONNEL

Verify the gas connections and venting systems with requirements of local, regional or national installation codes. Qualified service personnel must inspect the gas heater before use and at least annually.

TABLE OF CONTENTS

READ THIS OWNER'S MANUAL..... 1

INTRODUCTION..... 3

SAFETY INFORMATION..... 4

 FIRE HAZARD..... 5

 SHOCK HAZARD..... 5

 MUST BE VENTED TO THE OUTSIDE 5

 SERVICE CAUTION 5

 HOT SURFACES 5

 CERAMIC FIBER LOG SAFETY INFORMATION 6

SPECIFICATIONS: 7

OWNER’S INFORMATION..... 8

ROUTINE MAINTENANCE AND CARE 10

FIREBOX, PILOT, & BURNER TUBES 11

INSTALLER’S INFORMATION 11

 UNPACK AND INSPECT FOR DAMAGE 12

VENTING INFORMATION..... 16

ELECTRICAL CONNECTIONS 24

GAS SUPPLY & CONNECTIONS..... 27

LOG PLACEMENT 28

LIGHTING THE UNIT FOR THE FIRST TIME
..... 31

INITIAL ADJUSTMENTS..... 32

MAINTENANCE AND CARE..... 34

PARTS LISTS 36

54) or CAN/CGA B149 Installation Code. (*Installer l'appareil selon les codes ou règlements locaux, ou, en l'absence de tels règlements, selon les Codes d'installation CAN/CGA B149.*)

Do not use this appliance if any part has been

› **WARNING:**
 A qualified service technician should do installation and repair. A qualified service technician should inspect the appliance before use and at least annually. More frequent cleaning may be required due to excessive lint from carpeting, bedding material, etc. It is imperative that control compartments, burners, and circulating air passages of the appliance are kept clean and free of obstructions. (*S'assurer que le brûleur et le compartiment des commandes sont propres. Voir les instructions d'installation et d'utilisation qui accompagnent l'appareil.*)

under water. Immediately call a qualified service technician to inspect the heater and to replace any part of the control system and gas control that has been under water. (*Ne pas se servir de cet appareil s'il a été plongé dans l'eau, complètement ou en partie. Appeler un technicien qualifié pour inspecter l'appareil et remplacer toute partie du système de contrôle et toute commande qui ont été plongés dans l'eau.*)

SAFETY INFORMATION

Your Champlain is a very attractive and extremely efficient, utilizing today's best technologies. By following a few simple safety precautions and by performing minimal maintenance, the unit will remain appealing while providing years of quality performance.

The installation must conform to local codes or, in the absences of local codes, the current National Fuel Gas Code, ANSI Z223.1 (NFPA

During the first few hours of operation the appliance may produce a slight smoke and/or odor. This is normal during the first several burns. During the initial burn, open a window(s) to assist in the removal of the smoke/odor. If the logs appear to smoke, turn the heater off and call a qualified service technician.

The appliance and its individual shutoff valve must be disconnected from the gas supply piping system during any pressure testing of

that system at test pressures in excess of ½ psig. (3.5k Pa). The appliance must be isolated from the gas supply piping system by closing its individual manual shutoff valve during any pressure testing of the gas supply piping system at test pressures equal to or less than ½ psig (3.5k Pa).

FIRE HAZARD

Do not store or use gasoline or other flammable vapors or liquids in the vicinity of this appliance. The Champlain should be located out of traffic and away from furniture, draperies, clothing, and flammable material.

SHOCK HAZARD

(WHEN EQUIPPED WITH OPTIONAL BLOWER)

This appliance is equipped with a three-prong (grounding) plug for protection against shock hazard and should be plugged directly into a properly grounded three-prong receptacle. Do not cut or remove the grounding prong from the plug.

MUST BE VENTED TO THE OUTSIDE

Never vent the gas heater to other rooms or buildings. This gas appliance must not be connected to a chimney flue serving a separate solid-fuel burning appliance.

SERVICE CAUTION

If you believe your Champlain is not, in any way, performing properly, immediately discontinue operation until the unit has been inspected and approved by qualified service personnel. Prior to servicing the unit, turn the valve control knob clockwise to “OFF”. The unit should be cool prior to servicing and cleaning. Any safety screen, guard, or component removed during servicing should be replaced prior to operation. Use of any

components not supplied by HearthStone on the stove voids all warranties. **Do not substitute components.**

HOT SURFACES

Certain exposed surfaces of the Champlain will reach high temperatures during normal operation. Clearances to combustibles must be maintained, as specified in the “Clearances To Combustibles” section of this manual. **Due to high temperatures the appliance should be located out of traffic and away from furniture, draperies, clothing and flammable materials. Children and adults should be alerted to the hazards of high surface temperatures and should stay away to avoid burns to skin or clothing ignition. Young children should be carefully supervised when in the same room as the appliance. Clothing or other flammable material should not be placed on or near the appliance.** (*Surveillance les enfants. Garder les vêtements, les meubles, l'essence ou autres liquides à vapeur inflammables lin de l'appareil.*) Clean the area around, under, and behind the unit on a regular basis to prevent the accumulation of dust and lint.

Certified for use by:

Board of State Examiners of Plumbers and Gasfitters
100 Cambridge Street, Room 1511
Boston, Massachusetts
02202



- › **WARNING: DO NOT OPERATE THE APPLIANCE WITH THE FRONT GLASS AND CAST FAÇADE REMOVED, CRACKED OR BROKEN. REPLACEMENT OF GLASS SHOULD BE DONE BY A LICENSED OR QUALIFIED SERVICE PERSON. ONLY OPEN FRONT FOR ROUTINE SERVICE. DO NOT SLAM OR STRIKE GLASS.**

CERAMIC FIBER LOG SAFETY INFORMATION

If the decorative ceramic log material supplied with the Champlain is damaged or missing, it must be replaced with the same, approved replacement parts supplied by the manufacturer. These components affect the combustion quality and safety of the heater. Do not replace fiber ceramic logs with unapproved ceramic logs or any other material.

Always wear gloves and safety goggles while handling the log set and ember strip.

SPECIFICATIONS:

LISTED: DIRECT VENT GAS HEATER

Listed: DV Gas Heater

Model: Champlain DV Room Heater

Testing Agency: Intertek Testing Services NA Inc. (ITS)

Tested to: ANSI Z21.88-1998, CSA 2.33-M98, CAN/CGA2.17

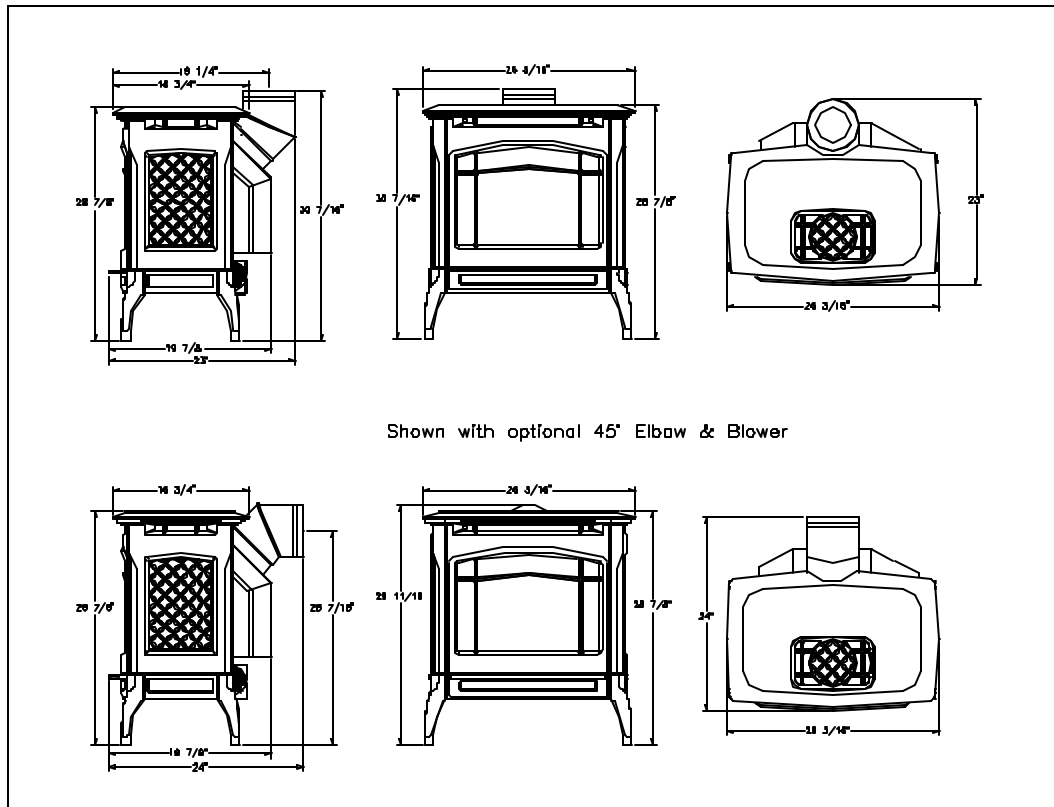


Figure 1: Champlain Dimensions

	NG	LP
Input rating (Btu/hr) 0-2000ft	37,000	37,000
Maximum output (Btu/hr) 0-2000ft	26,200	26,800
Minimum input rating (Btu/hr)	20,300	22,600
Orifice size DMS 0-2000ft	31	49
Man. pressure- HI setting (in.w.c./kPa)	3.5/0.84	10.0/2.48
Man. pressure- LO setting (in.w.c./kPa)	1.2/0.30	3.3/0.80
Inlet pressure-HI (in.w.c./kPa.)	7.0/1.74	13.0/3.22
Inlet pressure-Lo (in.w.c./kPa)	5.0/1.24	11.0/2.75

OWNER'S INFORMATION

The installation must conform with local codes or, in the absence of local codes, the current National Fuel Gas Code, ANSI Z223.1 (NFPA 54) or CAN/CGA B149 Installation Code. (*Installer l'appareil selon les codes ou règlements locaux, ou, en l'absence de tels règlements, selon les Codes d'installation CAN/CGA-B149.*) **Do not use this appliance if any part has been under water. Immediately call a qualified service technician to inspect the heater and to replace any part of the control system and gas control that has been under water.** (Ne pas se servir de cet appareil s'il a été plongé dans l'eau, complètement ou en partie. Appeler un technicien qualifié pour inspecter l'appareil et remplacer toute partie du système de contrôle et toute commande qui ont été plongés dans l'eau.)

LIGHTING INSTRUCTIONS

NOTE: The gas control knobs and the piezo ignitor are located behind the control valve access door, under the front of the unit.

1. STOP! Read the What To Do If You Smell Gas! Warning (on the cover of this manual).
2. Set the on/off/T-stat switch or thermostat to the "OFF" position.
3. Push in and turn gas control knob clockwise to "OFF". (*If not previously lit, the knob should be in this position.*)
4. Wait (5) five minutes to clear out any gas. If you then smell gas, STOP! *Smell all around the appliance area for gas. Be sure to smell next to the floor because some gases are heavier than air and will settle on the floor. If you smell gas immediately follow the What To Do If You Smell Gas! warning on the cover of this Manual.* If you do not smell gas, proceed to the next step.

5. Turn gas control knob counter-clockwise to "PILOT".
6. Push in control knob all the way and hold in. Immediately light the pilot with the gas lighter (push in and "click" the piezoelectric spark ignitor button several times until lit). Continue to hold the control knob in for about 20 seconds after the pilot is lit. Release the knob and it will pop back out. Pilot should remain lit. If the pilot goes out, repeat the operation.
 - If knob does not pop out when released, stop, shut off the gas supply to the heater and immediately call a qualified service technician or gas supplier.
 - If the pilot will not stay lit after several tries, turn the gas control knob "OFF" and call a qualified service technician or gas supplier.
7. After the pilot lights, turn gas control knob counter-clockwise to "ON".
8. If the ON/OFF/THERMOSTAT switch is set to "ON", the stove should now be lit. If the thermostat (or remote) has been installed, set the ON/OFF THERMOSTAT switch to "THERMOSTAT" and turn the thermostat (or remote) to "ON". Then set the desired temperature.
9. Shut the gas control valve access door.

NOTE: When pressing/clicking the piezoelectric spark ignition button to light the pilot, watch through the glass (front) of the unit. Click the ignitor button until a flame is visible at the pilot. Once the pilot is lit, continue to press on the gas control knob for another 20 seconds, then release. Ascertain that the pilot is still lit by looking through the front door. If lit, then turn the gas control knob fully counter-clockwise to

the “ON” position. If the pilot fails to light, or if it went out due to a premature release of the gas control knob while pressed in the “PILOT” position, wait 60 seconds for the Interlock to release. Then repeat the lighting process as described in this section of the manual.

Once the pilot has been lit, the gas control knob has been turned to the “ON” position, and the ON/OFF/T-STAT switch has been turned to “ON”, the main burners should light immediately. If you would like to use the thermostat and it has been installed, switch the ON/OFF/T-STAT switch to thermostat. Turn the thermostat to "ON" and set it to a higher position so that it "calls" for heat in order to turn light the main burners (i.e. turns the unit on). Note that the thermostat controls the on/off cycling of the main burners, but the pilot remains lit regardless of the thermostat setting. The only way to turn the pilot off is to turn the gas control knob fully clockwise to the “OFF” position.

TO TURN OFF GAS TO APPLIANCE

1. Set the thermostat to the “OFF” position or turn the ON/OFF/T-STAT switch to the “OFF” position.
2. If shutting the unit off for the non-heating season, turn the gas control knob fully clockwise to the “OFF” position. Do not force the knob to turn.

DAILY OPERATION

The Champlain gas-fired heater is easily operated by the homeowner once installed and adjusted by a qualified service technician. Following is a list of the controls available to the owner/user:

- A. ON/OFF/PILOT.....Built into Valve

- B. VARIABLE OUTPUT CONTROL.....Built into Valve
 C. ON/OFF/THERMOSTAT SWITCH.....Standard
 D. THERMOSTAT.....Standard
 E. REMOTE CONTROL (w/o thermostat).....Optional
 F. REMOTE CONTROL (w/thermostat).....Optional
 G. BLOWER.....Optional

A. ON/OFF/PILOT

The valve is equipped with two “control knobs”. One is the ON/OFF/PILOT knob, located on the front left side of the valve. When in the “OFF” position, the unit cannot operate at all. When in the “PILOT” position, the pilot light can be lit, but that is all. When in the “ON” position, the unit may be on continuously, or it may be “waiting” to be controlled by the thermostat or remote, depending on the setting of the other controls.

B. VARIABLE OUTPUT CONTROL

The Variable Output Control knob, located on the front right side of the valve, controls the “rate” heat is produced. By adjusting the variable output control the rate of heat output can be varied to meet the heating requirements of the season. Choosing a “LOW” flame setting will result in longer burn cycles at a reduced output, while choosing a “HIGH” flame setting will result in a shorter, hotter burn cycle. Through trial and error you can select the optimum flame size for you setting and application.

C. ON/OFF/T-STAT SWITCH

The ON/OFF/T-STAT switch controls how the unit will operate, continuously or by thermostat. When the switch is in the “ON” position, **the main burner**

will stay on constantly, and the thermostat will not operate. When the switch is in the “T-STAT” position, it will operate via the thermostat, running only when the thermostat “calls” for heat. When the switch is in the “OFF” position, the pilot remains lit but the unit can not operate, as the main burner can not light.

D. THERMOSTAT

The unit may be controlled automatically via the wall-mounted thermostat. By setting the ON/OFF/T-STAT switch to “T-STAT”, and setting the desired room temperature, the unit will cycle on and off as needed to maintain the requested temperature.

E. REMOTE CONTROL (w/o thermostat)

The unit may also be *partially* controlled via the **OPTIONAL** remote control, Kit #90-56912. When the ON/OFF/T-STAT switch is in the “ON” position, it allows you to turn the stove “On” & “Off” from anywhere in the vicinity of the unit, and is available through your local HearthStone dealer.

F. REMOTE CONTROL (w/thermostat)

The unit may also be *fully* controlled via the **OPTIONAL REMOTE CONTROL** w/thermostat, available through your local HearthStone dealer Kit #90-56914. When the ON/OFF/THERMOSTAT switch is in the “ON” position, this Remote allows you to turn the unit “On” & “Off” and also allows you to control the temperature of the stove from anywhere in the vicinity of the unit.

G. BLOWER

The unit may be equipped with an **OPTIONAL** blower fan, available through your local HearthStone dealer.

The fan helps to circulate heat away from the stove.

Note: the ON/OFF/T-STAT switch or the THERMOSTAT controls the on/off cycling of the main burners, but the pilot remains lit regardless of any of the control settings (B-G) listed previously, except the ON/OFF/PILOT control knob, which is the only way to turn the pilot off. Turning the gas control knob fully clockwise to the "OFF" position will turn off the pilot.

During the summer, non-heating season, switch the wall thermostat and rocker switches to “OFF”, and turn off the pilot. This will improve the overall efficiency of the unit, as the heat from the pilot is not wanted in the summer. When putting the unit back into service follow the “Lighting of the Unit” portion in the “How To Turn On & Off” section of this manual.

When the unit is first lit, especially when cool, it is normal to experience some condensation on the inside of the glass window. This condensation will burn off within the first few minutes of operation. If continuous condensation or water drips are noted from any part of the unit, immediately discontinue operation of the unit and contact a qualified service technician.

ROUTINE MAINTENANCE AND CARE

The Champlain requires minimal routine maintenance and care. The unit should always be cool and off when being cleaned.

CLEANING

- › **WARNING: Do not clean the unit when hot.** The unit should receive regular cleaning on, under, and around the stove to prevent the buildup of dust

and lint. The exterior surfaces of the unit can be cleaned using soap, water, and a soft cloth. **Do not** use abrasive or chemical cleaners and take care not to scratch the glass or enamel finish (if so equipped) when cleaning the unit. The use of chemical wax based cleaners or polishes are not recommended due to the potential for discoloration or the enamel when the residue of the cleaners or polishes is exposed to heat.

FIREBOX, PILOT, & BURNER TUBES

The firebox, pilot & burner tubes should receive periodic cleaning to prevent the accumulation of dust, lint and debris. Regularly check to insure the area around the Champlain is kept free and clear from combustible materials, gasoline, and other flammable vapors and liquids. Check that the flow of ventilation air is not obstructed. **Once a year the unit and its venting system should be inspected by qualified service personnel to ensure that it is clean, free of obstruction, safe, and in good working order. If service or maintenance is required, qualified service personnel should perform it.**

INSTALLER'S INFORMATION CODES

Adhere to all **local codes** or, in their absence, the latest edition of THE NATIONAL FUEL GAS CODE ANSI Z223.1 (NFPA 54) or CAN/CGA B149 Installation Code that can be obtained from:

**AMERICAN NATIONAL STANDARDS
INSTITUTE, INC.**

1430 BROADWAY
NEW YORK, NY 10018
OR
**NATIONAL FIRE PROTECTION
ASSOCIATION, INC.**
BATTERY MARCH PARK
QUINCY, MA 02269

The appliance when installed, must be electrically connected and grounded in accordance with local codes or, in the absence of local codes, with the current NFPA 70-National Electrical Code or CSA C22.1-Canadian Electric Code.

A manufactured home (mobile) OEM installation must conform with the Manufactured Home Construction and Safety Standard, Title 24 CFR, Part 3280 (U.S.) or Standard for Manufactured Home Installation, ANSI/NCBCS A225.1 or Standard for Gas Equipped Recreational Vehicles and mobile Housing, CSA Z240.4.CAN/SCA Z240 MH (Canada). *(Installer l'appareil selon les codes ou règlements locaux, ou, en l'absence de tels règlements, selon les Codes d'installation CAN/CGA-B149.)*

ITEMS REQUIRED FOR INSTALLATION

- * External regulator (for propane/L.P.G. only)
- * Piping which complies with local codes
- * Pipe sealant approved for use with propane/L.P.G. (resistant to sulfur compounds)
- * Manual shutoff valve
- * Sediment trap
- * Tee joint
- * Pipe wrench
- * Phillips head and flat head screwdriver
- * Other parts as required by local code
- * Safety Glasses
- * Gloves

PACKING LIST

- 1-Champlain Gas-Fired Heater
- 4-Decorative Ceramic Fiber Logs
- 1-Ember Screen
- 1-Bag of Charcoal Embers
- 1-Owner's Manual
- 1-Thermostat
- 1-Thermostat wire
- 1-L.P. Fuel Conversion Kit

UNPACKING AND INSPECTION

UNPACK AND INSPECT FOR DAMAGE

The Champlain is packaged by the manufacturer to withstand shipment without damage. However, damage can occur during transit so take care to inspect for damage when unpacking and installing the unit. If any damage or missing parts are detected, immediately contact your dealer. **Do not install or put into service a damaged or incomplete heater.**

The unit should appear to be square and level. The sheet metal parts should be smooth and free of bends or dents. The enameled cast iron should be free of chips or

cracks. If visible or concealed damage is found, contact your dealer.

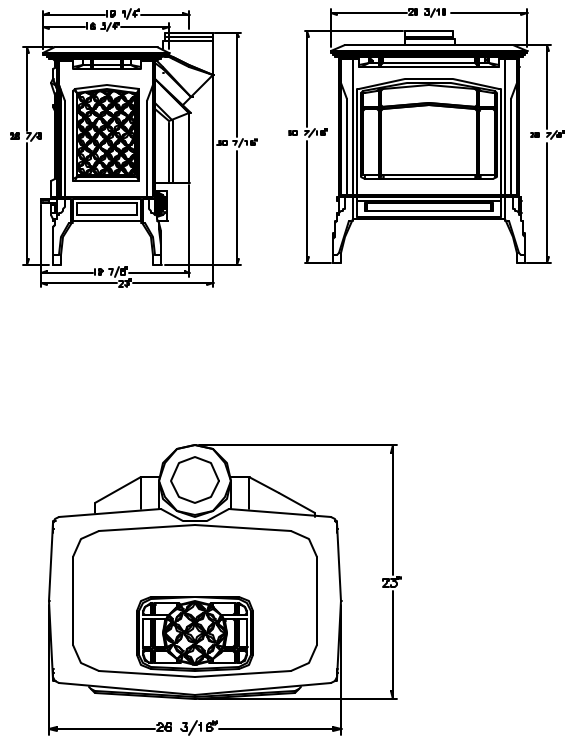
The decorative ceramic fiber logs supplied with the Champlain are located in the firebox. Always use great care when handling the decorative ceramic logs, as they are fragile and subject to damage and breakage. To open the firebox, remove the two upper front screws (located in the grill of the front) that hold the cast façade onto the unit. **(THESE SCREWS ARE SHIPPED ON THE UNIT FOR TRANSIT PURPOSES ONLY AND DO NOT NEED TO BE REINSTALLED)**

Next, open the valve access door, by pulling the ash lip down and allowing the door to swing away. Grasp the handle of the latch, located in the center of the opening, and pull forward, being careful not to drop the front as the latch is unfastened. Be careful not to chip the enamel when unlatching the front. To open the firebox, reach over the firebox, and under the front grill. With a flat screwdriver pry the retaining clips up. There will be two separate clips. Be careful, when you lift the last one, as it will free the glass and frame from the unit.

HEARTH REQUIREMENT/FLOOR PROTECTION

The Champlain may be placed on a non-combustible surface or wood floor. For placement of the Champlain on carpeting, vinyl tile or other combustible materials, the appliance shall be installed on a metal or wood panel extending the full width and depth of the appliance. Installations must meet local codes.

CHAMPLAIN DIMENSIONS



will prevent fire or spontaneous combustion. We do not control the combustible materials exposed to heat by this product; therefore, an assessment must be made by the installer to prevent consequential damage of walls and flooring.

CLEARANCE TO COMBUSTIBLES

Due to high surface temperatures, the unit should be located out of traffic and away from furniture and draperies. Clothing and other flammable material should not be placed on or near the heater. When positioning the unit always maintain adequate clearances around air openings into the combustion chamber and allow for adequate ventilation. Be sure to consider the need for access to the gas control valve access door on the front of the unit as well as full access for periodic cleaning and servicing. Also consider the location of the Optional Blower Fan.

NOTE: These clearances represent *minimum* distances in all cases, which, through testing in an independent laboratory to ANSI and CSA standards,

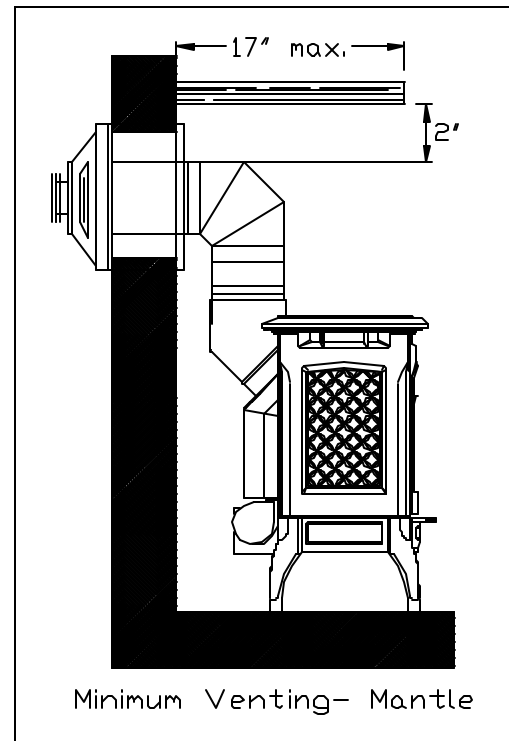


Figure 2

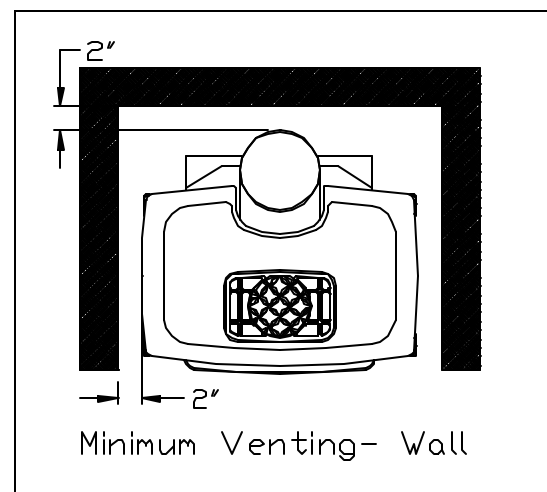


Figure 3

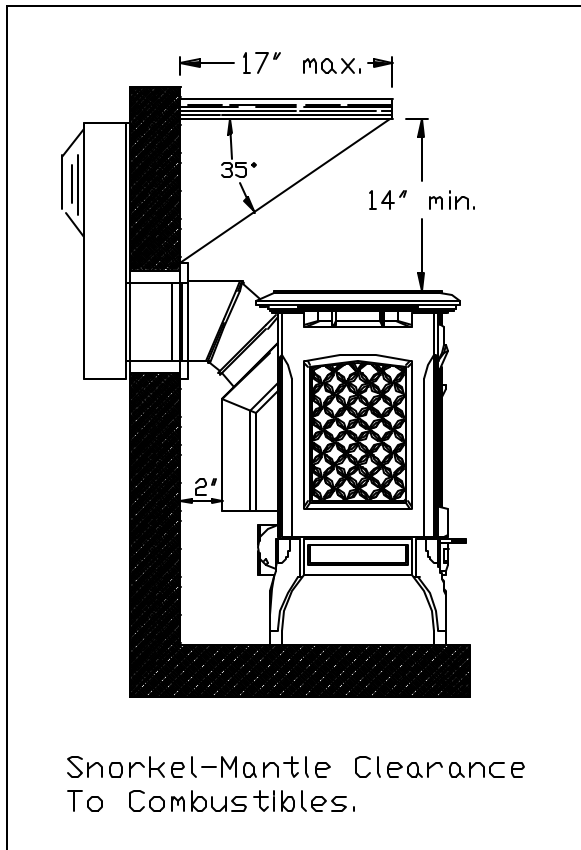


Figure 4

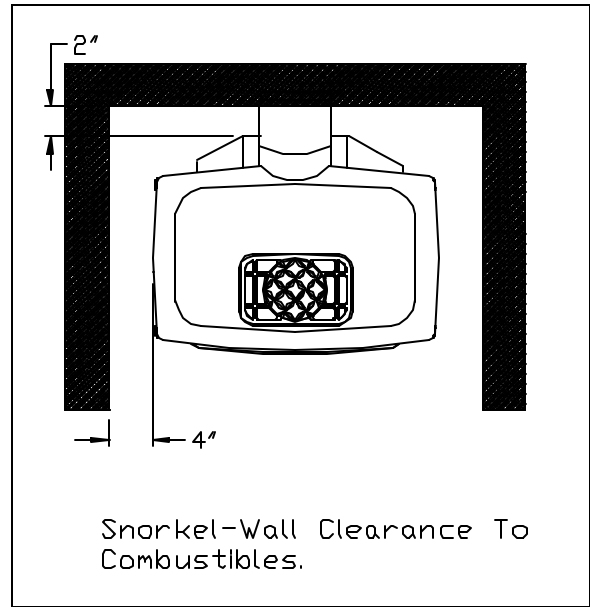


Figure 5

Acceptable Direct Vent TERMINATION Cap locations.

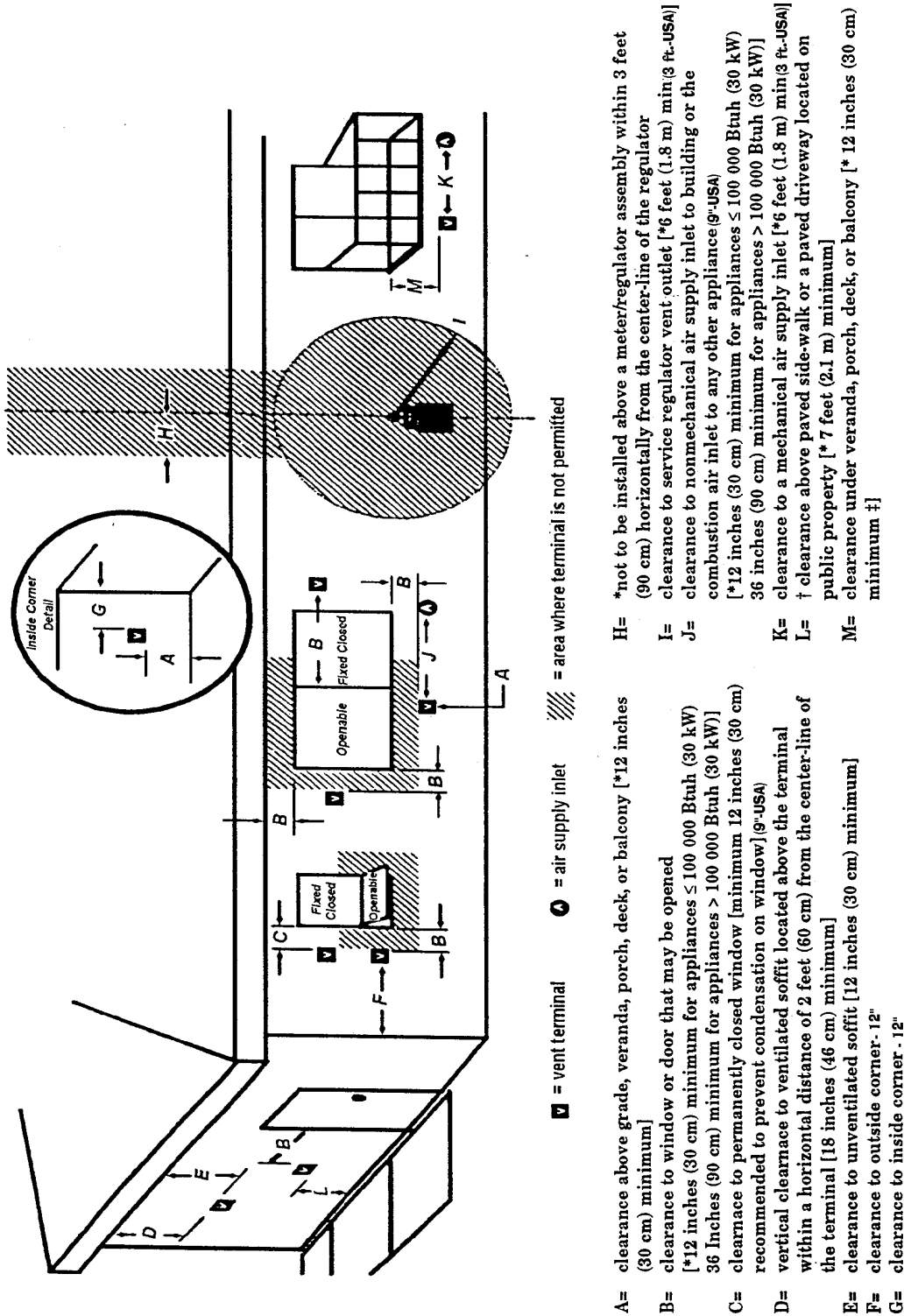


Figure 6

- A= clearance above grade, veranda, porch, deck, or balcony [*12 inches (30 cm) minimum]
 - B= clearance to window or door that may be opened [*12 inches (30 cm) minimum for appliances ≤ 100 000 Btuh (30 kW) 36 Inches (90 cm) minimum for appliances > 100 000 Btuh (30 kW)]
 - C= clearance to permanently closed window [minimum 12 inches (30 cm) recommended to prevent condensation on window] (g-USA)
 - D= vertical clearance to ventilated soffit located above the terminal within a horizontal distance of 2 feet (60 cm) from the center-line of the terminal [18 inches (46 cm) minimum]
 - E= clearance to unventilated soffit [12 inches (30 cm) minimum]
 - F= clearance to outside corner - 12"
 - G= clearance to inside corner - 12"
 - H= *not to be installed above a meter/regulator assembly within 3 feet (90 cm) horizontally from the center-line of the regulator
 - I= clearance to service regulator vent outlet [*6 feet (1.8 m) min(3 ft.-USA)]
 - J= clearance to nonmechanical air supply inlet to building or the combustion air inlet to any other appliance (g-USA) [*12 inches (30 cm) minimum for appliances ≤ 100 000 Btuh (30 kW) 36 inches (90 cm) minimum for appliances > 100 000 Btuh (30 kW)]
 - K= clearance to a mechanical air supply inlet [*6 feet (1.8 m) min(3 ft.-USA)]
 - L= † clearance above paved side-walk or a paved driveway located on public property [* 7 feet (2.1 m) minimum]
 - M= clearance under veranda, porch, deck, or balcony [* 12 inches (30 cm) minimum †]
- = vent terminal ● = air supply inlet ▨ = area where terminal is not permitted
- † a vent shall not terminate directly above a side-walk or paved driveway which is located between two single family dwellings and serves both dwellings*
- ‡ only permitted if verand, porch, deck, or balcony, is fully open on a minimum of 2 sides beneath the floor*
- * as specified in CGA B149 Installation Codes Note: local Codes or Regulations may require different clearnaces

VENTING INFORMATION

VENTING CONNECTION

1. The Champlain Direct Vent is approved for installation only with the vent connecting components listed on this page. Use the following instructions along with the pipe manufacturer's instructions to complete the installation.
2. Attach the inner starter collar and gasket to the unit with the eight # 8-32 x 3/8" Phillips Head self-tapping screws.
3. Place the outer starter collar and gasket onto the back of the stove. Secure the outer adapter with the eight # 8-32 x 3/8" Phillips Head self-tapping screws that are provided. Install the rest of the vent system according to the manufacturer's instructions.

- | | |
|------------------|----------|
| 1. Gasket 4" | 3160-130 |
| 2. Inner starter | 924H |
| 3. Gasket 6" | 3160-157 |
| 4. Outer Starter | 924H |

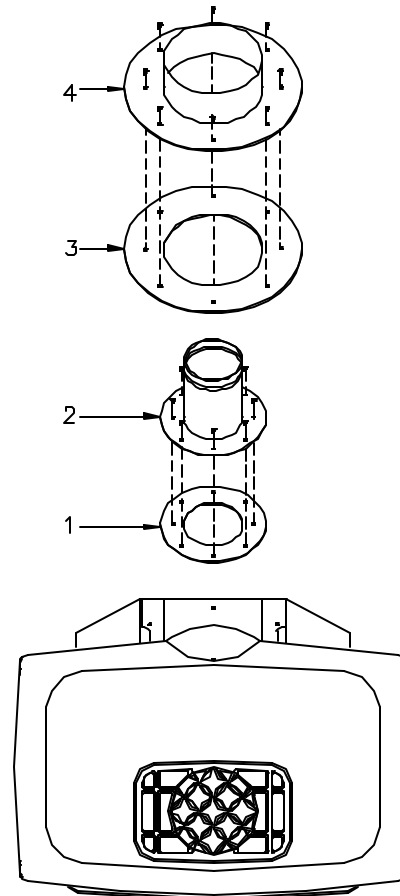


Figure 7: Gasket & Stove Adapter Installation

VENTING COMPONENTS & CONFIGURATION

The Champlain cannot be vented jointly with any other solid fuel or gas appliance. It must be vented directly to the outside of the building using a proper termination as listed in the manual. Your Champlain Direct Vent stove is approved for use with Simpson Dura-Vent's GS Direct Vent, AmeriVent Direct, or Secure Vent systems. The venting configurations are shown in Figures 10 - 12. After determining the venting configuration for your stove, select the vent system that will accommodate your installation.

Caution: Make sure all stove and termination cap clearances have been observed per the Owner's Manual.

Caution: Be sure there is no wiring or plumbing in the chosen location.

Caution: Venting terminals shall not be recessed into a wall or siding.

Note: If further direction is needed for installation, please refer to the venting instructions, which are provided with the venting system.

ACCEPTABLE DIRECT VENT TERMINATION CAP LOCATIONS

The vent/air intake termination clearances above the high side of an angled roof are as follows:

Roof Pitch	Feet	Meters
Flat to 6/12	1	0.3
7/12 to 9/12	2	0.6
10/12 to 12/12	4	1.2
13/12 to 16/12	6	1.8
17/12 to 21/12	8	2.4

Listed below are components acceptable for installation. The venting system must be comprised of the appropriate venting components as specified.

APPROVED VENTING SYSTEM COMPONENTS

*Component Description

90° Elbow
 45° Elbow
 6" Straight
 9" Straight
 12" Straight
 24" Straight
 36" Straight
 48" Straight
 11"-14 5/8" Adjustable Pipe Length
 Horizontal Vent Cap
 Vertical Vent Cap
 Snorkel 36"
 Vinyl Siding Standoff 4 x 6 5/8"
 Round Ceiling Support Wall
 Thimble Covers
 Wall thimble

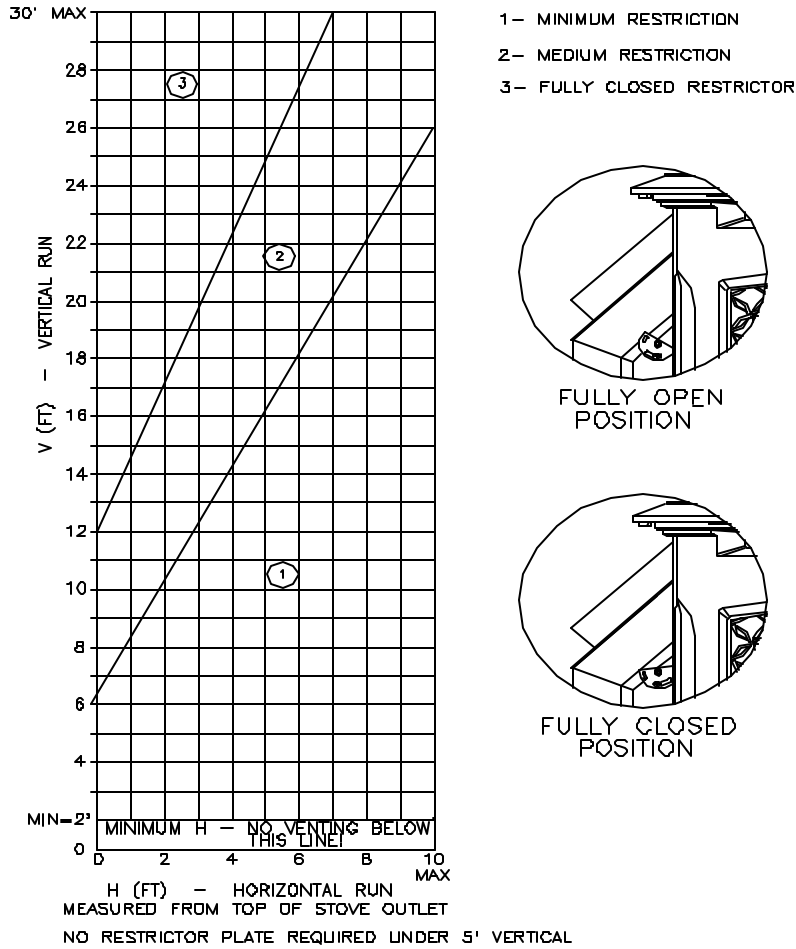


Figure 8: Acceptable Venting Lengths

CHAMPLAIN: HORIZONTAL AND VERTICAL VENTING	
V (FT)	H (FT)
2' MIN - 20' MAX	10' MAX
30' MAX	10' MAX
$H_1 + H_2 = H \text{ (FT)}$ $V_1 + V_2 = V \text{ (FT)}$	
V + H = MAXIMUM ALLOWABLE VENT LENGTH. FOR H VALUES WHEN V IS BETWEEN 20'-30' REFER TO FIGURE 7	
ONLY TWO 90° ELBOWS ARE ALLOWABLE! DO NOT INCLUDE EXIT ADAPTER AS AN ELBOW. IF MORE THAN TWO 90° ELBOWS ARE REQUIRED, THE MAXIMUM ALLOWABLE VENT LENGTH MUST BE REDUCED BY 3" FOR EACH ADDITIONAL ELBOW. FOR CORRECT DRAFT, HORIZONTAL VENTING MUST RISE 1/4" - 1/2" PER FOOT OF RUN.	

Figure 9: Allowable Venting Lengths

There are several venting configurations to choose from. You must choose which configuration will work best for your situation. Following the venting configurations are the venting connection instructions. The venting options have been divided into three sections:

- I. Fireplace Configuration
- II. Vertical Termination
- III. Horizontal Termination

NOTE: Clearances from Pipe to Combustibles are 1" below and to the side of horizontal runs, 2" from the top of horizontal runs.

FIREPLACE VENTING CONFIGURATIONS

- 30' maximum system height (with or without offsets-note shutter setting)
- 10' maximum offset (refer to Figures 8 – 10 shutter setting)
- maximum rise to run = 1 to 5 (refer to Figures 8 – 10 note shutter setting)
- termination must fall within the area outlined by the shaded area shown in Figure 8 and the chart in Figure 9 should be considered as well.

DV CLASS A CHIMNEY SYSTEMS (4)

- Chimney Conversion Kit A
- Chimney Conversion Kit B
- Chimney Conversion Kit C
- Masonry Chimney Conversion Kit
 - Co-Linear Flex Liner (10ft min/30ft max)
 - Co-Linear Flex Connector
 - High Wind Termination Cap

DV CHIMNEY CO-LINER SYSTEM

- Chimney Liner Termination Kit (includes Co-Liner to Co-Axial Termination and Flashing)
- (2) Sections 3" Flex Liners (10ft min/30ft max)
- High Wind Termination Cap
- Co-Axial to Co-Linear Appliance Connector
- (4) 3-1/2" Hose Clamps

DV CHIMNEY CO-AXIAL LINER SYSTEM

- Chimney Liner Termination Kit (includes Co-Linear to Co-Axial Termination and Flashing)
 - (2) Sections 3" Flex Liners (10ft min/30ft max)
- High Wind Termination Cap
- Co-Axial to Co-Linear Appliance Connector
- (4) 3-1/2" Hose Clamps

The use of an existing chimney as an air intake is not covered under the ANSI Z21.88-CSA 2.33-M98 test methods and the resulting ITS/WHI product certification. The Authority having jurisdiction must be consulted prior to proceeding with these installation methods.

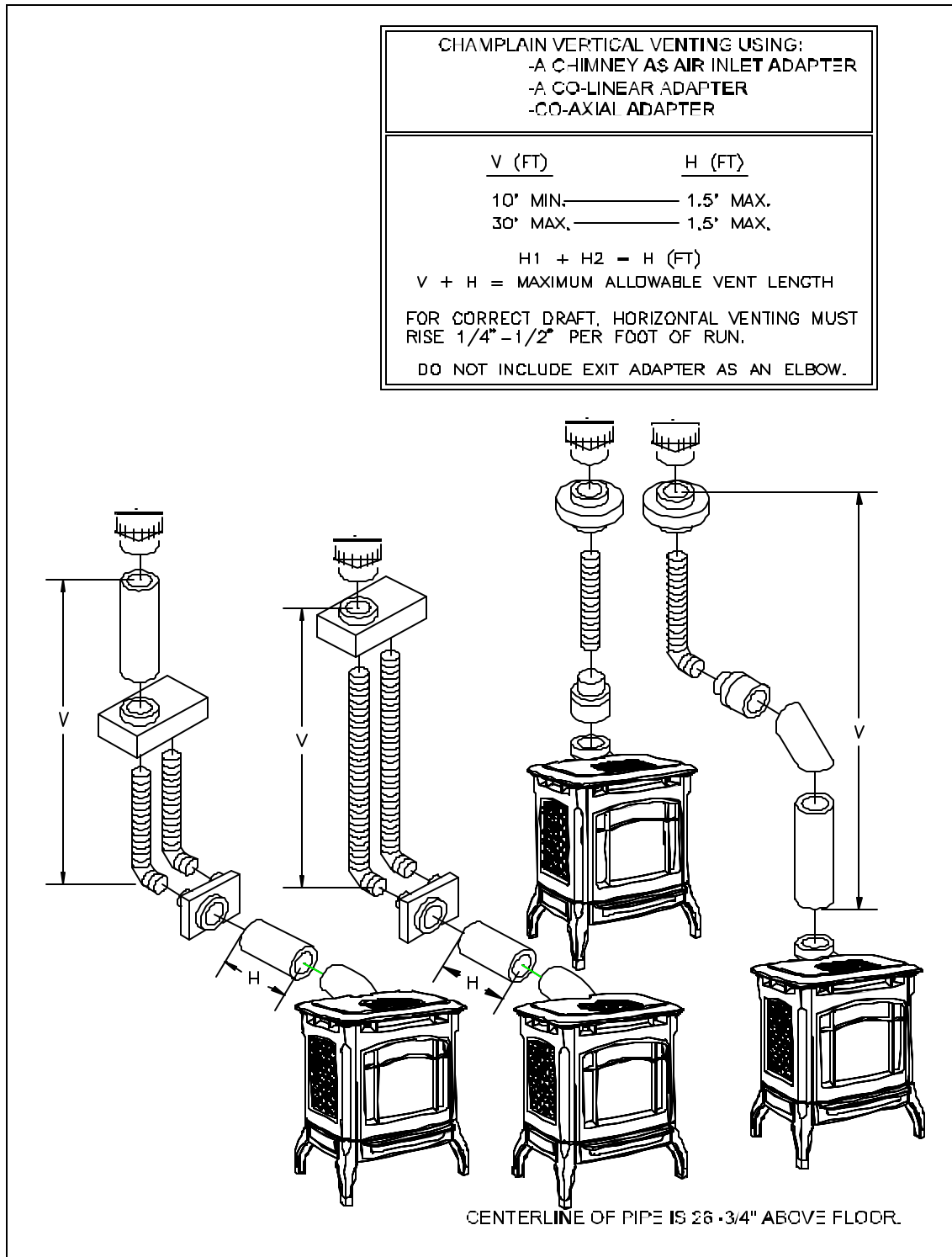


Figure 10: Fireplace Installation

VENTING CONFIGURATIONS

- 2' minimum system height (with or without offsets)
- 30' maximum system height (with or without offsets – note shutter setting)
- 10' maximum offset (refer to Figures 8, 9, & 11 – note shutter setting)
- maximum rise to run = 1 to 5 (refer to Figures 8 & 9 – note shutter setting)
- The termination must fall within the area outlined by the shaded area shown in Figure 8 and the Chart in Figure 9 should be considered as well.

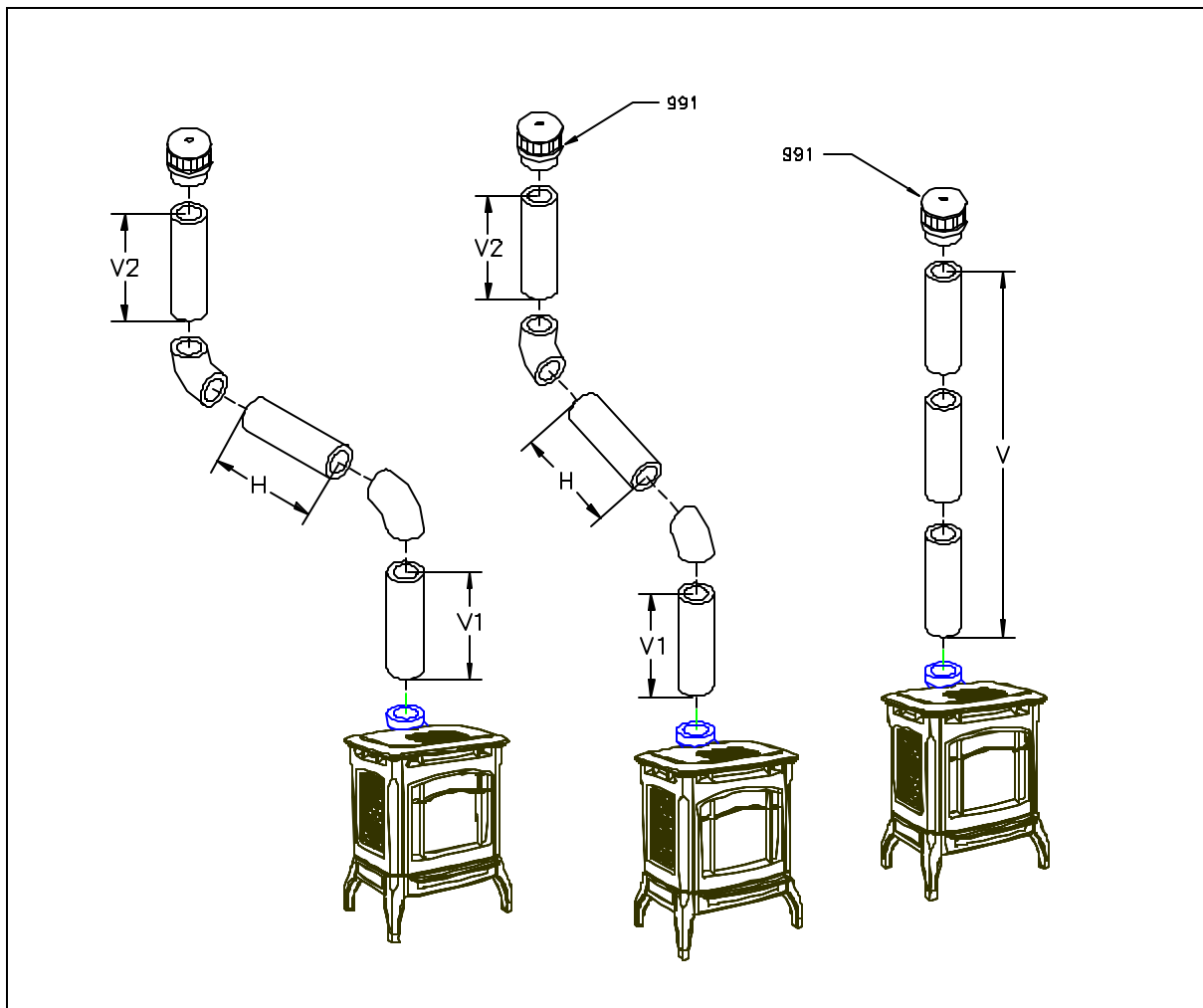


Figure 11: Vertical Termination

APPROVED VERTICAL TERMINATION VENTING CONFIGURATIONS WITH:

- | | | |
|-------------------|-------------------|-----------------|
| 1. Two 90° Elbows | 2. Two 45° Elbows | 3. No Elbows |
| • 90° Elbow | • 45° Elbow | • Straight Pipe |
| • Straight Pipe | • Straight Pipe | |

HORIZONTAL TERMINATION VENTING CONFIGURATIONS

- A minimum of 2' rise is required (with or without offsets)
- 30' maximum system height (with or without offsets – note shutter setting)
- 10' maximum offset (refer to Figures 8, 9, & 12 – note shutter setting)
- maximum rise to run = 1 to 5 (refer to Figures 8 & 9 – note shutter setting)
- The termination must fall within the area outlined by the shaded area shown in Figure 8 and the Chart in Figure 9 should be considered as well.
- Use a vinyl siding stand off when installing against a vinyl siding.
- Horizontal sections require a 1/4" rise every 12" of horizontal run.
- For each 90° elbow after the second, remove 5' from horizontal run.
- At minimum vertical rise, maximum horizontal run is 10'
- Use with snorkel termination 10' maximum horizontal run.

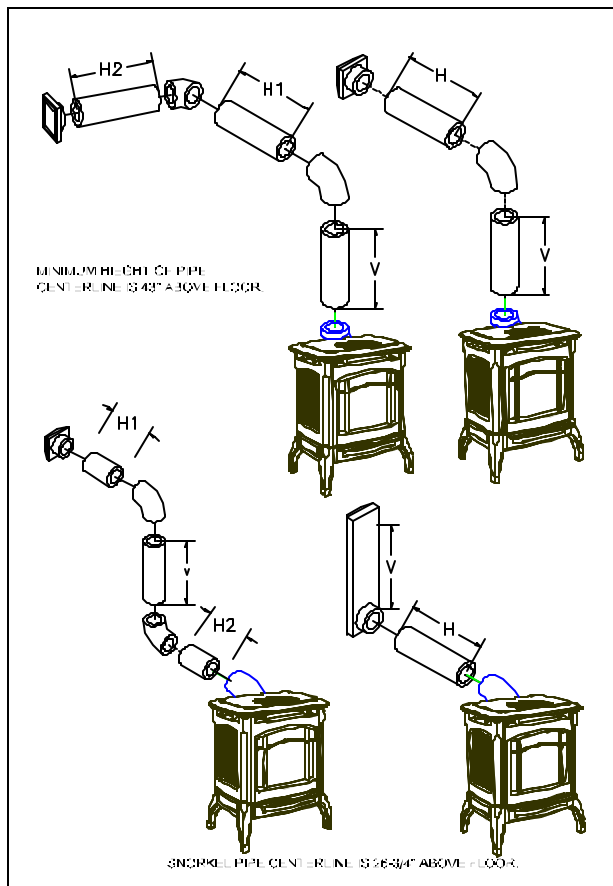


Figure 12. Horizontal Termination

Approved DV Venting Configuration for Horizontal Termination with:

1. (1) 90° Elbow & (1) 45° Elbow
 - 90° Elbow
 - 45° Elbow
 - Straight Pipe
2. (1) 90° Elbow
 - 90° Elbow
 - Straight Pipe
3. (2) 90° Elbow
 - (2) 90° Elbows
 - Straight Pipe
4. Snorkel
 - Snorkel (3 foot)
 - Straight Pipe

INSTALLATION INSTRUCTIONS FOR THE STANDARD HORIZONTAL TERMINATION MINIMUM VENTING KIT (KIT #93-65000)

1. Install the 4" inner collar by first placing the 4" x 6" gasket ring onto the base of the collar. Install the collar and gasket to the stove using 8 of the screws provided.
 2. Install the outer collar in similar fashion using the larger gasket ring and the remaining 8 screws.
 3. Install the 45° elbow over the outer collar. Place the elbow so that the twist lock end is pointing up.
 4. Install one of the 24" pipe sections into the elbow by fully inserting it and turning approximately ¼ turn clockwise, until the 2 sections are fully locked. Install the 90° elbow in similar fashion.
 5. Move the stove and pipe assembly back until the 90° elbow is flush to the wall. The 24" vertical pipe should be parallel to the wall. Draw a circle around the pipe. Use the center of this circle as the center point of the 10" x 10" square wall pass through. (It should be approximately 55" above the floor) Cut and frame the wall pass through.
 6. Place the interior wall thimble into the 10" x 10" wall pass through. Secure it with 4 screws (not provided). Install the exterior portion of the thimble in similar fashion, overlapping the 2 sections.
 7. Install the horizontal vent termination on the outside of the wall. Make sure both of the retaining straps extend through interior wall thimble. Before attaching the vent termination to the outside of the house, run a bead of non-hardening mastic around its' outside edges, so as to make a seal between it and the wall. The arrow on the end cap should point up. Secure the cap to the wall with the appropriate screws.
 8. Place the thimble cover onto the 90° elbow. Put the 9" pipe into the horizontal vent cap, (the vent pipe must extend into the horizontal vent cap a minimum of 1-1/4"). Move the stove and vent pipe into position, insert the 9" pipe into the 90° elbow and twist to lock it. Secure the straps from the horizontal vent termination to the interior pipe with 2 sheet metal screws, keeping screws close to wall thimble as possible. Bend or cut the excess strapping so that the thimble cover will fit properly. Screw the thimble cover to the wall.
- › **Caution:** For building with vinyl siding, a vinyl siding standoff should be installed between the vent cap and the exterior wall.

Conditionally approved for purchased mobile home installation. This appliance may be installed in an aftermarket permanently located, manufactured (mobile) home, where prohibited by local codes.

This appliance is only for use with the type of gas indicated on the rating plate. This appliance is not convertible for use with other gases, unless a certified kit is used, available through your local HearthStone dealer.

Cet appareil peut être installé dans un maison préfabriquée (mobile) déjà installée à demeure si les règlements locaux le permettent.

Cet appareil doit être utilisé uniquement avec les types de gas indiqués sur la plaque signalétique. Ne pas l'utiliser avec d'autres gas sauf si un kitde conversion certifié est installé.

ELECTRICAL CONNECTIONS

NOTE: OPEN VALVE DOOR ON THE FRONT FOR ELECTRICAL AND GAS CONNECTIONS.

THERMOSTAT

The ON/OFF/T-STAT switch or wall mounted thermostat controls the Champlain. We recommend installation of the thermostat for more comfortable performance, however you may still override the thermostat by setting the switch to "ON". The thermostat controls the unit by "calling for heat." The thermostat turns the unit on when the room is cold, and turns the unit off once the room is warmed sufficiently. The thermostat is controlled by a 750 millivolt DC two-wire circuit.

REMOTE CONTROL

There are two different optional remote controls. Both of the remote controls are capable of turning the unit on and off. One of the optional remotes also allows you to control the temperature of the stove, (in the same way the thermostat controls the heater), from anywhere in the vicinity of the unit. If "ON" & "OFF" are the only controls required, Kit #90-56912 can be used. If you would like to control the temperature via the remote control, use Kit #90-56914. Installation instructions are provided with the kits.

THERMOSTAT PLACEMENT

The thermostat should be placed in the same room or living space as the unit. Typically 5' (1.5m) off the floor and away from any influences that may cause the temperature in the vicinity of the thermostat to be unrepresentative of the room temperature in general. Such influences might include strong lighting, a heater vent from the central heating system, or a nearby drafty window.

Placement of the thermostat on an inside wall rather than an outside wall is preferable. Do not place the thermostat directly behind or too close to the unit, otherwise heat from the unit will immediately satisfy the thermostat and turn the unit off.

THERMOSTAT WIRING

The thermostat wire from the unit to the thermostat can be surface mounted, routed under the floor, or through walls, etc. The thermostat should be connected to the unit using a maximum of 40' (12m) of insulated thermostat wire (minimum of 18 Ga.) When making these connections, position the

thermostat wire so it is directed towards the thermostat, being sure to leave a small coil of wire behind the unit so that it can be moved out of position for servicing and cleaning. (At the thermostat, the wires should be connected to the two connection screws on the back of the thermostat per the instructions received with the thermostat) Take care not to over-tighten the connection screws and not to damage the internal parts of the thermostat.

The proper location of wire connections is shown in Figure 13.

BLOWER FAN

The unit can also be equipped with an optional blower fan, which turns on and off independently of the burner flames. When the speed switch, which allows you to turn the fan on or off and control the speed of the fan to suit your needs, is set to “On” the fan will automatically turn on when the stove is hot and cycle off when the unit is no longer hot. Installation instructions are provided with the Kit.

ELECTRICAL GROUNDING INSTRUCTIONS

This appliance is equipped with a three-prong (grounding) plug for your protection against shock hazard and should be plugged directly into a properly grounded three-prong receptacle. Do not cut or remove the grounding prong from this plug.

WIRING INSTRUCTIONS

- › **CAUTION:** Label all wires prior to disconnection when servicing controls. Wiring errors can cause improper and dangerous operation. Verify proper operation after servicing. (*Attention: Au moment de l'entretien des commandes, étiquetez tous les fils avant le débranchement. Des erreurs de câblage peuvent entraîner un fonctionnement inadéquat et dangereux.*)

Wiring Diagram

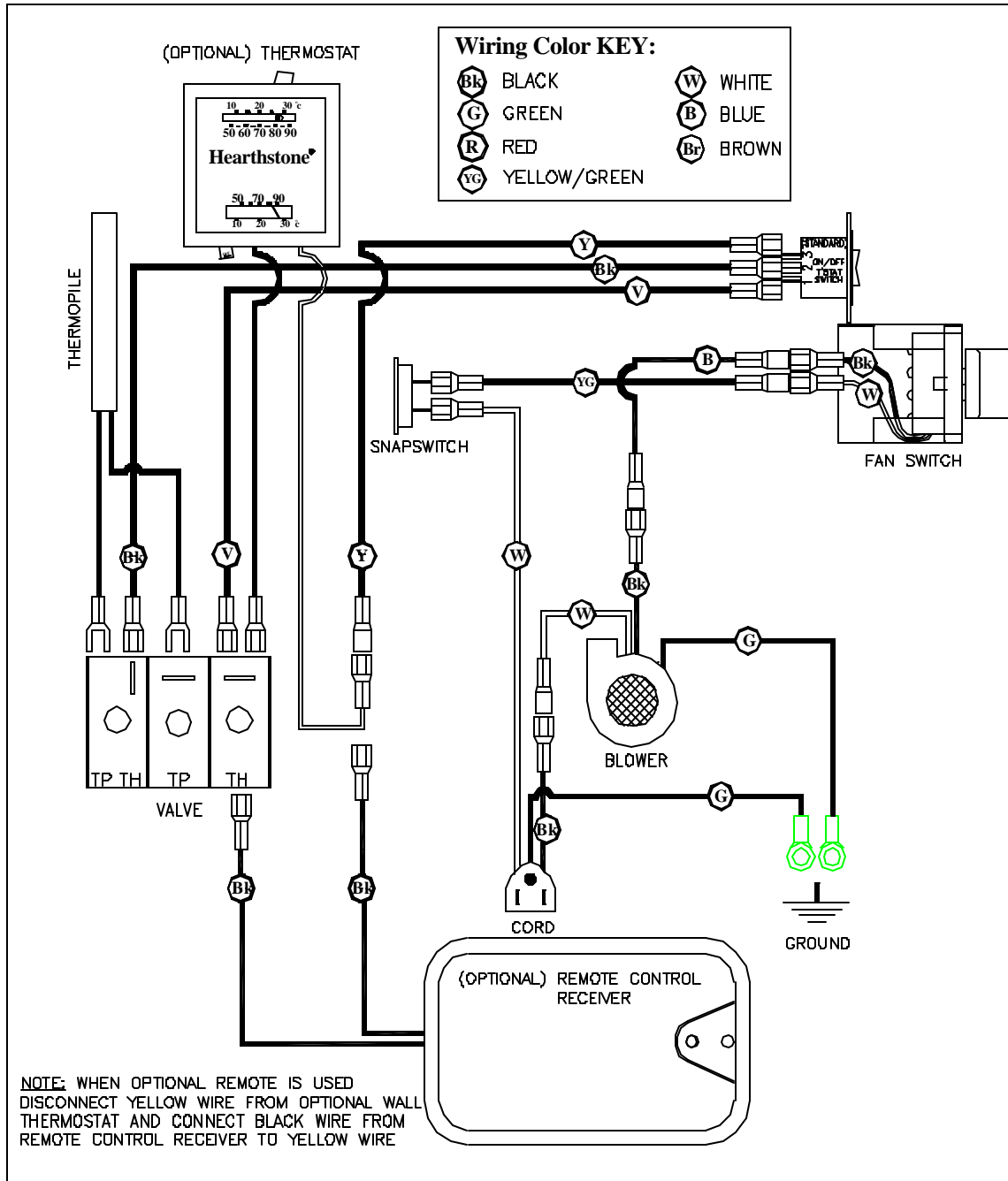


Figure 13: Wiring Diagram

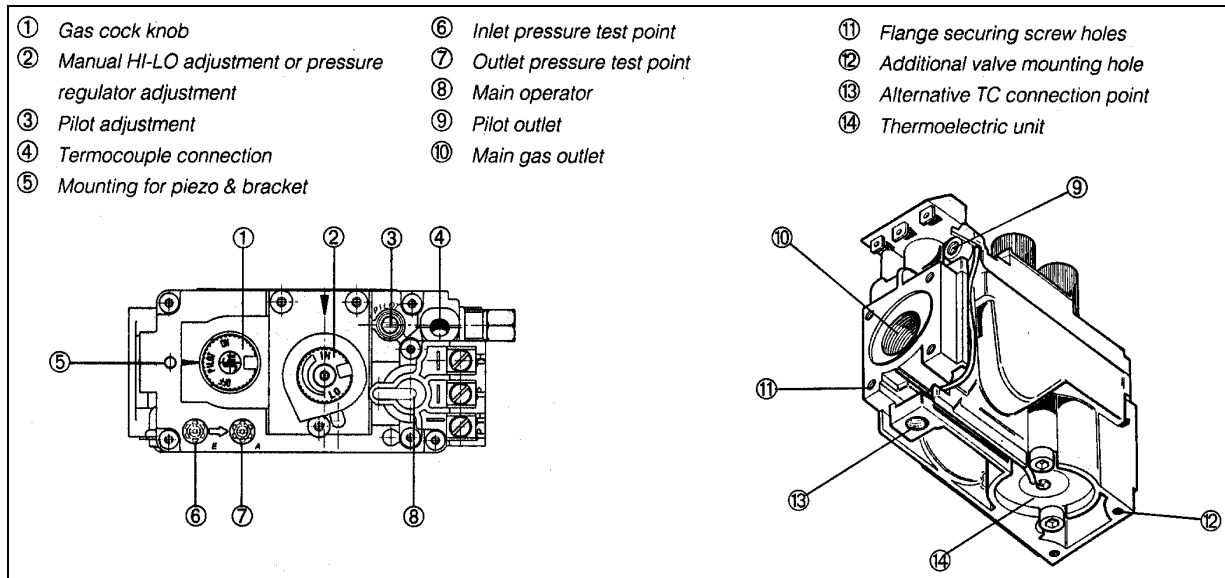


Figure 14

GAS SUPPLY & CONNECTIONS

- › **NOTICE:** A qualified technician must connect the heater to the gas supply and leak test the unit before it is approved for use. Consult all codes.
- › **WARNING:** The unit must be installed and connected in accordance with local codes, or in the absence of local codes, with the most current edition of the National Fuel Gas Code ANSI Z223.1 (NFPA 54) or CAN/CGA B149 Installation Code.

The gas supply line connection is made to the Champlain's gas control valve under the unit on the left side using a 3/8" male NPT fitting. Only use pipe 1/2" or greater diameter to allow full gas volume to heater maximum demand of the unit, without undue loss of pressure. Excessive pressure loss will occur if the pipe is too small. We recommend using new black iron or steel pipe only, with a flexible line to the valve and to ease thread

alignment, but refer to local codes. Internally tinned copper tubing can be used in some areas when permitted by local codes.

The gas supply line must include a manual shut-off valve and union so the unit can be disconnected for servicing. Also a sediment trap and a 1/8" N.P.T. plugged tapping must be installed upstream of the heater. The sediment trap is installed to prevent moisture and contaminants from passing through the pipe to the heater controls and burners. Failure to install a sediment trap could prevent the heater from operating reliably. The 1/8" N.P.T. plugged tapping is installed for the test gauge connection (immediately upstream of the gas supply connection). Damage to the valve caused by lack of a sediment trap will not be covered by the warranty.

- › **CAUTION: Check Gas Type!**

The gas supply must be the same as stated on the heater's rating plate (located on the unit). If the gas supply is different, **DO**

NOT INSTALL the heater. Contact your dealer for the correct model or conversion kit.

GAS PRESSURE ADJUSTMENT

NOTE: A QUALIFIED TECHNICIAN MUST PERFORM THIS PROCEDURE!

The supply line pressure is tested to ensure it meets minimum pressure requirements, as listed in the Specifications sections of this manual, for the type of fuel in use (NG or LP).

The unit must be isolated from the gas supply piping system by closing its individual manual shutoff valve during any pressure testing of the gas supply piping system at test pressures equal to or less than ½ psig.

During tests in excess of ½ psig (14" w.c.), the heater must be disconnected from the gas supply system. Test by connecting a manometer to the supply line. Adjust the incoming pressure, if necessary, to meet the required supply line pressure.

Once connected to the gas supply, the gas inlet pressure and manifold gas pressure must be tested. The gas inlet tap (6) and manifold pressure tap (7) is located on the control valve (see Figure 14). Connect a manometer to the test points on the gas control valve.

NOTE: For installations from 610-1370 meters (2000-4500ft), the orifice sizes (DMS) for natural and propane gas are 32 and 49 respectively. (*Cet appareil est équipé pour des altitudes comprises entre 2000 et 4500 pieds (610-1370m) seulement.*) See data plate for additional information. For high altitude installations consult the local gas distributor or the authority having

jurisdiction for proper rating methods. If the unit must be adjusted, the information sticker (provided with the high altitude kit) must be filled out completely and mounted to the unit per the instructions provided with the kit.

CAUTION: Fragile! Handle log set with care. Always wear gloves and safety goggles while handling the log set.

LOG PLACEMENT

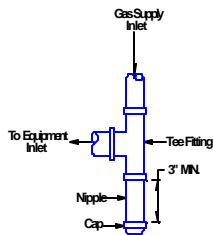
Only the decorative ceramic fiber log set supplied with the unit should be placed in the firebox. Do not place any other ceramic logs, wood logs, or other materials in the firebox. If the log set is damaged or broken contact your dealer for replacement. The decorative ceramic fiber log set will last a long time, however, they will break if subjected to rough or improper handling. Exact positioning of the log set is required in order to obtain a pleasing flame pattern and efficient combustion. Incorrect log placement may cause carbon build-up; excess thermal stress on the log set and stove parts, reduced efficiency, and high levels of carbon monoxide. If the log set does not set into the firebox exactly as outlined, contact your dealer for assistance.

INSTALLATION OF THE LOG SET

(Refer to figures 15 & 16 for log set assembly)

1. Remove the front façade. *(Refer to page 12 for instructions)*
2. Remove the packaging material around the log set assembly. Be careful not to damage the log set when unpacking.
3. Gently place the Rear Log (1) in the firebox against the center of the back wall.

4. Gently place the Middle Log (2) in the firebox against the front of the Rear Log. There are slots on the underside that fit in between the burner tube and into the burner tube holder. The rear tabs on the Middle Log should touch the front of the Rear Log, and the log should be centered as best as possible.
5. Place the Ember Screen (3) on the front of the burner tube with the long side of the Screen on the tube. The short tab should be facing forward on the bottom of the firebox.
6. Gently place the Front Log (4) in the firebox against the front of the burner tube. Center as best as possible.
7. Spread evenly across the Ember Screen, the Charcoal Embers (5).
8. Gently place the Top Log (6) in the firebox on top of the Middle Log. The Middle Log has 2 posts, which slide into the 2 holes on the underside of the Top Log. The “leg” on the Top Log points towards the rear.
9. With logs in place, place the glass and frame back on the firebox. Slide the clips down securing the glass to the firebox.
10. Grasp the cast façade and slide the top edge under the lip of the top castings. Push the bottom of the façade in towards the firebox. While pushing in, pull the latch down to secure the façade to the firebox.



Sediment Trap

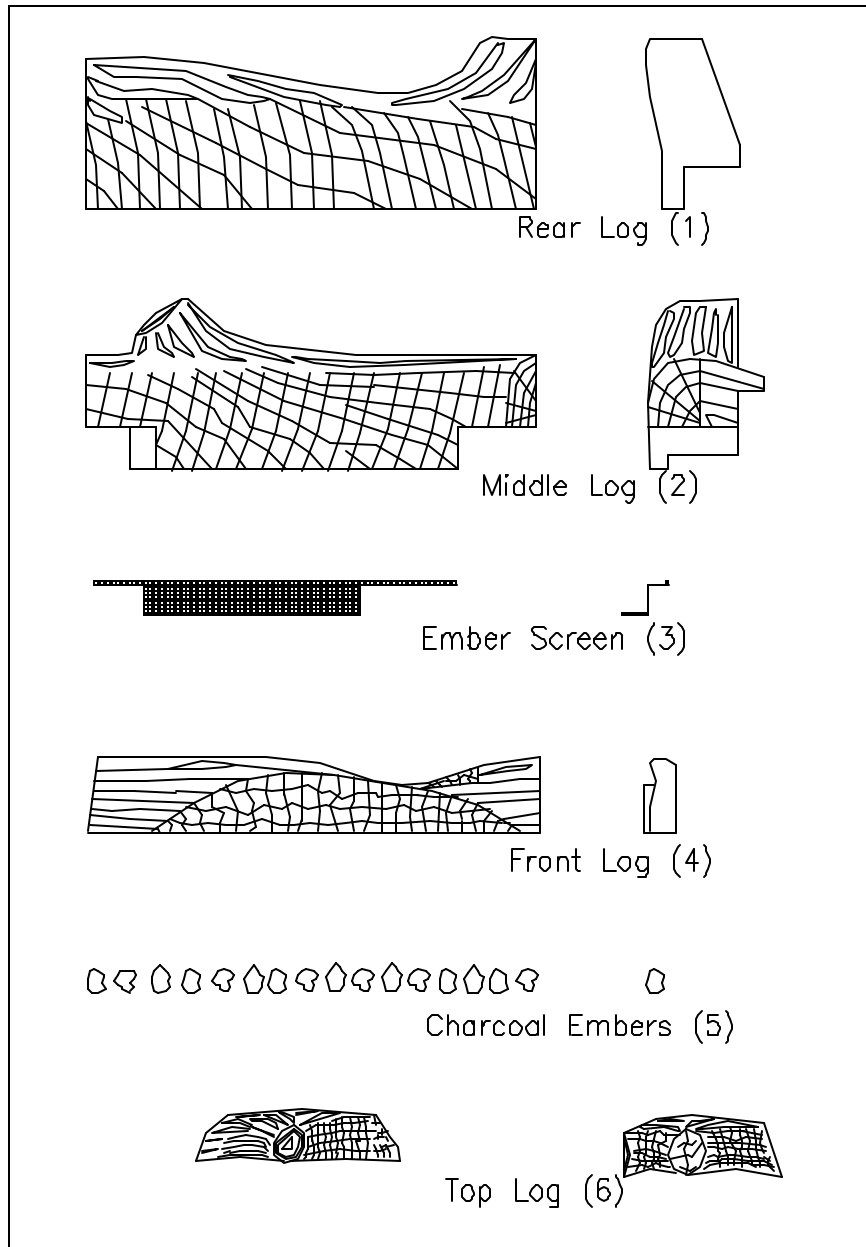


Figure 15: Log Set Assembly.

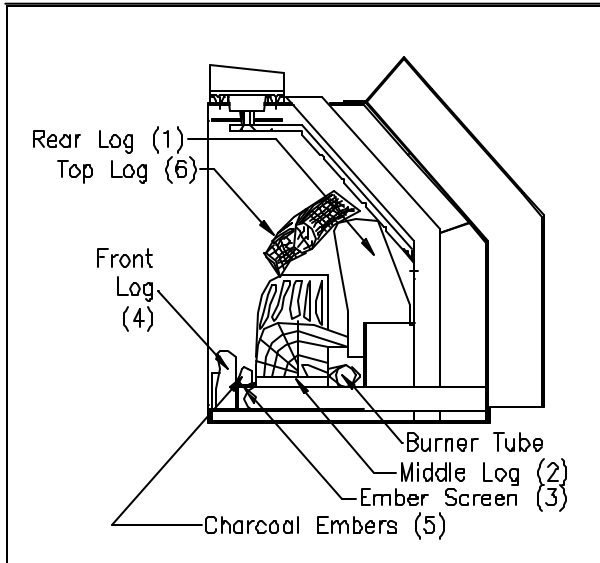


Figure 16: Log Set Assembly.

REMOVAL OF THE LOG SET

To remove the log set, follow the Installation of Log Set instructions in the reverse order.

LIGHTING THE UNIT FOR THE FIRST TIME

DO NOT LIGHT THE UNIT WITHOUT THE GLASS AND CAST FAÇADE IN PLACE!

- › **WARNING:** If you do not follow these instructions exactly, a fire or explosion may result causing property damage, personal injury or loss of life.
- › **CAUTION:** Lighting the Champlain for the first time and adjustments to the unit should be performed by qualified service personnel.

SMOKE AND FUMES WARNING

When lit for the first time, the Champlain will emit some smoke and fumes. This is normal “off-gassing” of the paints and oils used in the manufacturing and assembly of the unit. Open windows to vent the room if necessary. The off gassing and fumes will subside after the first 10 to 20 minutes of operation.

ODORS AND IMPURITIES

A heater of this type may produce odors during heater operation due to impurities that may exist in the immediate area. Sources of impurities can be cleaning solvents, paint solvents, cigarettes, smoke, pet hair, dust, adhesives, new carpet, and/or textiles. Such odors will dissipate. However, opening a window or otherwise providing additional ventilation to the area can alleviate the condition. If any odor persists, contact your dealer or an authorized service technician.

PILOT LIGHT WARNING

The Champlain has a piezoelectric spark igniter (the red push button located next to the gas control valve behind the valve access door, which ignites the pilot light by means of a spark at the pilot light assembly. Do not attempt to light the unit with a match or by any means than the piezoelectric spark.

PREPARE FOR LIGHTING

Prepare for the lighting procedure by adjusting the thermostat (if equipped) to its lowest setting or OFF position. If the gas control knob is not in the OFF position, turn the knob fully clockwise to OFF. Locate the variable output control knob and turn it fully clockwise to the highest setting.

Prior to lighting the unit for the first time, wait 5 minutes to allow any residual gas within the unit to dissipate. Smell all around the appliance area for gas. Be sure to smell next to the floor because some gases are heavier than air and will settle on the floor. If you do not smell gas after this five-minute period, proceed with the lighting procedure. If you do smell gas, **DO NOT** proceed with the lighting procedure. Instead, **immediately refer to the What To Do If You Smell Gas Warning, on the cover of this manual.**

INITIAL ADJUSTMENTS

Once the Champlain has been set in place, connected and assembled as described in the Clearances To Combustibles, Venting Components & Configurations, Electrical Connections, And Gas Supply and Connections sections of this manual, the unit is almost ready to be lit for the first time. The manufacturer tests each unit prior to shipment, so ignition should take place without failure. However, a number of small adjustments may be necessary to compensate for variations in gas pressure, altitude, and other factors particular to each installation.

VARIABLE OUTPUT CONTROL

The gas control valve is equipped with a variable output control. This control varies the rate of heat produced by the unit by varying the gas pressure to the main burner tube. A combination of heat output and the thermostat setting affect the length of the burn cycle. If your stove turns on and off too often, try, first, reducing the burn cycle by turning the HI/LOW knob, on the control valve, to a lower setting. Using the variable output control, the heat output of the unit can be reduced for mild fall and spring months, or maximized for the colder winter months. This adjustment can be made, by the homeowner, as necessary by turning the variable output control knob to “HI”, “LO” or any setting in between.

AIR SHUTTER

The air shutter is used to regulate the air-to-gas combustion mixture, which in turn influences the size and color of the flames. The air shutter has been positioned in the general location needed for the type of gas being used, however, if the unit is not burning as well as it should, then the air shutter may need adjusting. The air shutter may need adjustment once the unit has been installed to compensate for variations in supply line pressure, restriction plate

position, altitude, gas type conversions, and other variables.

To determine if the air shutter needs adjustment, it is necessary to view the flame pattern with the variable output control knob at its highest setting. Allow the unit to operate for 10 minutes to allow the entire unit to reach temperature and for the flame pattern to stabilize. Generally, the more air (open shutter) in the mixture, the bluer the flame. Less air (closed shutter) results in a more yellow flame, but too little air will result in incomplete combustion, low efficiency and a dirty burn. There are two simple guidelines to aid in determining the correct flame pattern:

1. if the flame at the base of the logs is completely blue, the air shutter may be open too far;
2. if the flame is dirty or licks the top of the stove, the air shutter may be closed too far.

Some conditions cannot be corrected through air shutter adjustment; an adjustment must be made to the gas supply pressure or by changing the restriction plate location. Qualified service personnel must preform supply line/manifold gas line pressure adjustments and restrictor plate adjustments. Do not attempt to complete any part of the installation or adjustment of this unit unless technically qualified to do so.

AIR SHUTTER ADJUSTMENTS

The air shutter is adjustable while the stove is burning by loosening the adjusting nut located under the rear right hand corner of the stove. This nut is hot and should not be

touched. Use only metal tools for this adjustment.

Moving the nut toward the front of the stove increases the air and moving the nut toward the back of the stove decreases the air. Tighten the nut after making adjustment. The air shutter is factory set and only a qualified gas technician should make adjustments.

Note: Very little movement is needed to substantially change the burn and flame patterns.

Some conditions cannot be corrected through air shutter adjustment; an adjustment must be made to the gas supply pressure. Supply line/manifold gas line pressure adjustments must be performed by qualified service personnel. Do not attempt to complete any part of the installation or adjustment of this unit unless technically qualified to do so.

PILOT ADJUSTMENT

The pilot light is preset by the manufacturer and should not need adjustment. The pilot light flame should be large enough to engulf the thermopile and thermocouple located next to the pilot, but not so large as to create excessive noise or consume excessive gas. (Refer to figure 18) However, it can be adjusted by means of the pilot light adjustment screw located on the gas control valve. Open the valve door to access the pilot adjustment screw. Note that the pilot flame must engulf the thermopile so that the thermopile can generate sufficient milli-voltage (325 to 500-mv) to power the milli-volt gas control valve. The flame on the pilot should look like Figure 18. Controlling the Champlain by the wall-mounted thermostat may become erratic, nonexistent, or the unit may go out, if the pilot flame is too small or misdirected away from the thermopile.

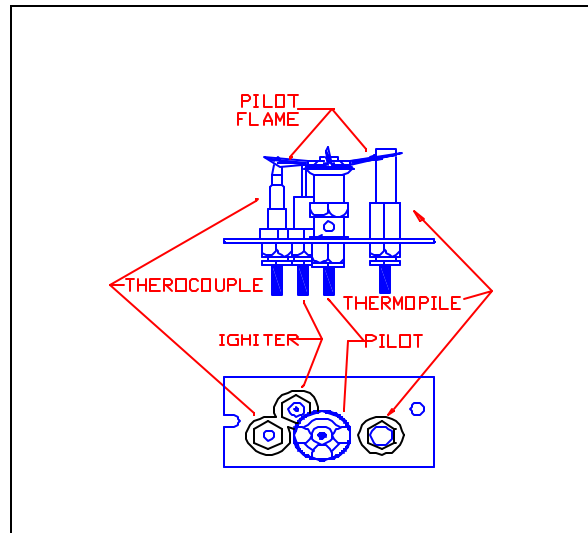


Figure 18 Pilot Adjustment

WARNING

The control has an interlock device. If the stove has been lit, it will not relight immediately. After shutting off all gas flow, the pilot burner cannot be relit until the thermocouple has cooled, allowing the electromagnet to be released (*Approx. 60 sec.*). The gas control knob is designed to be operated by hand. Do not use any tools during this operation.

BURNER FLAME APPEARANCE

Once the unit is lit, observe the flame pattern and adjust as necessary. Also, a periodic visual check of the burner flame should be performed. The burner flames can be adjusted by means of the air shutter. To determine if the burner flame needs adjustment, it is necessary to view the flame pattern with the variable output control knob at its highest setting (turn fully clockwise). Allow the unit to operate for 10 minutes enabling the entire unit to reach temperature and for the flame pattern to stabilize. The flame pattern should be similar to the one shown in Figure 19. There are several guidelines to aid in determining if the flame pattern is correct:

1. The flame should not be dirty, smoky, sooty, or lick the top of the stove.

2. The flame should not rise off of the burner tube, called “lifting”.
3. Flames should not impinge heavily on the log set. They should “fit” through the pre-formed spaces designed in the log set.

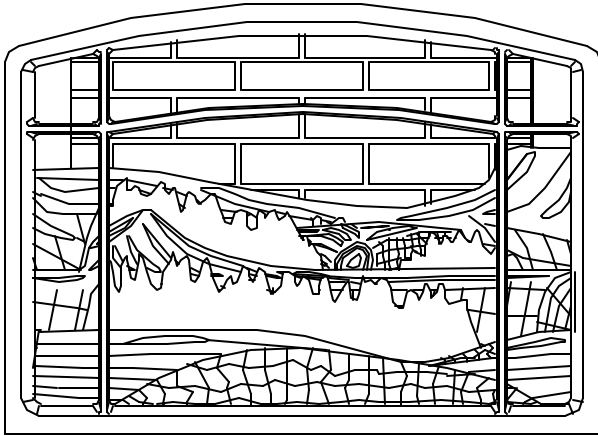


Figure 19: Burner Flame Appearance

MAINTENANCE AND CARE

The Champlain requires minimal routine maintenance and care. The unit should always be cool and off when being serviced.

- › **WARNING: Do not substitute materials.** For replacement parts, or for information about parts or service, contact your local HearthStone dealer.

CLEANING

- › **WARNING: DO NOT CLEAN THE UNIT WHEN IT'S HOT!**

The unit should receive regular cleaning on, under, and around the stove to prevent the buildup of dust and lint. The exterior surfaces of the unit can be cleaned using soap, water, and a soft cloth. **Do not** use abrasive or chemical cleaners and take care not to scratch the glass or enamel finish (if so equipped) when cleaning the unit. The use of chemical or wax based cleaners or polishes is not recommended due to the

potential for discoloration when the residue of the cleaners or polishes is exposed to heat.

FIREBOX

The firebox should receive periodic cleaning to prevent the accumulation of dust, lint, and other debris. To clean the firebox, set the thermostat to the “OFF” position and turn off the gas at the gas control valve. When the unit is cool, remove the front and carefully remove the decorative ceramic fiber log set (after it has cooled), taking care not to damage the logs or chip the enamel cast iron. Clean the firebox, burner tube, and pilot assembly and carefully vacuum the entire surface of the log set. Take care to thoroughly vacuum the ports (holes) along the top of the burner tubes and the pilot assembly.

PILOT & BURNER FLAMES

With the decorative ceramic fiber logs out of the firebox, fasten the front shut and momentarily light the unit according to lighting instructions described in the How To Turn the Unit On & Off section of this manual. Check to ensure a flame is burning from each burner port. The pilot flame should be large enough to engulf the thermocouple and thermopile as shown in Figure 18.

NOTE: Do not operate the unit for more than 1-2 minutes without the log set in place. Turn the unit off by setting the thermostat to “OFF”, and turning the gas control valve off. Allow the unit to cool.

Check and clean any burner ports that were not burning properly or at all. Clean burner ports using a soft brush or vacuum cleaner. If the pilot flame height needs adjustment it should be adjusted by a qualified service technician as described in the Initial Adjustments section of this manual.

Complete the cleaning procedure by carefully placing the log set within the firebox as described in the Log Set Information section of this manual. Fasten the front façade on. Turn on the gas, light the unit and check for proper operation. Flame patterns should look like Figure 18. Regularly check to insure the area around the Champlain is kept free and clear from combustible materials, gasoline, and other flammable vapors and liquids. Check that the flow of combustion and ventilation air is not obstructed.

Once a year the unit and its venting system should be inspected by a qualified service technician to ensure that it is clean, free of obstruction, safe, and in good working order. If service or maintenance is required, a qualified service technician should perform it.

CLEANING THE GLASS

If operating on propane, it may be necessary to clean the inside of the glass occasionally. Do not use abrasive cleaners, steel wool, or a razor blade. Scratching the glass will weaken the integrity of the glass. Your dealer will usually stock a gas fireplace glass cleaner or a window cleaning fluid will work adequately. **Do not clean when hot!**

- › **WARNING:** Do not operate this appliance with the glass panel removed, cracked or broken. A licensed or qualified service technician should do replacement of the glass assembly. Contact your authorized dealer for replacement glass.

NOTE: If the vent-air system is disassembled for any reason, re-install per the instructions provided in the Venting section of this manual

PARTS LISTS

Part #	Description	Part #	Description
2310-340	SIDE	7211-310	VALVE: GAS, SIT NG 50% TRN DWN
2310-440	FRONT	7200-231	BURNER ORIFICE NG SIZE (31)
2310-442	DOOR	7200-249	BURNER ORIFICE LP SIZE (49)
2310-845	GRILLE	3300-528	FUEL CONVERSION LABEL
5300-066	BRACKET: PIEZO	7211-245	BURNER TUBE
5300-118	BLAST LIMITERS	7211-530	REAR LOG
5300-160	MOUNT: MAGNET	7211-531	MIDDLE LOG
5300-011	FIREBOX	7211-532	FRONT LOG
5300-020	HEAT SHIELD: TOP	7211-533	TOP LOG
5300-030	HEAT SHIELD: SIDE, OUTER	7211-505	EMBERS: CERAMIC 2oz.
5300-031	HEAT SHIELD: SIDE, INNER	7211-470	THERMOCOUPLE
5300-032	HEAT SHIELD: SIDE, SPACER	7211-090	THERMOPILE
5300-040	HEAT SHIELD: REAR, LEFT	7211-390	3 WAY PILOT HOOD WITH CLIP
5300-050	HEAT SHIELD: REAR, RIGHT	7211-009	PILOT TUBE
5300-080	BRACKET: VALVE SHIELD	7211-017	TUBE: GAS, FLEX 3/8" x 12" BURNER
5300-095	EMBER SCREEN	7211-020	BURNER INLET ELBOW 3/8 COMP.
5300-102	BOTTOM GLASS FRAME MOUNT	7210-007	FITTING STRT 3/8" NPT x 3/8 CMP
5300-108	GLASS FRAME	3030-036	FRONT GLASS
5300-086	LATCH MOUNT	3160-075	5/8" x 1/4" ROPE HEAT EXCHANGER
5300-088	LATCH ARM	3160-080	3/4" x 16" BL TAPE
5300-104	UPPER LEFT CLIP	3160-150	GASKET: FIREBOX/HEAT EXCH.
5300-106	UPPER RIGHT CLIP	3160-152	PILOT GASKET 3" x 1-3/4" x 1/8"
5300-085	PILOT SHIELD	3160-155	4" x 6" GASKET EXIT COLLAR
5300-090	AIR DEFLECTOR/LOG HOLDER	3160-157	6-1/2" x 9-5/16" GASKET INLET COLLAR
5300-084	RIGHT BOTTOM CLIP	97-56600	NG CONVERSION KIT
5300-110	EXHAUST BAFFLE CLIP	97-56601	LP CONVERSION KIT
7200-200	SWITCH: 3-WAY, ON/OFF/T'STAT	5300-112	RESTRICTOR PLATE
7211-370	TOP CONVERT. PILOT ASSY	5300-114	RESTRICTOR PLATE ROD
7211-131	PILOT ORIFICE (LP)	5701-925H	SDV STARTER COLLAR
7211-163	PILOT ORIFICE (NG)	5300-082	LEFT BOTTOM CLIP
7210-103	PIEZO IGNITER PUSH BUTTON	7211-231	AIR SHUTTER
7211-430	PIEZO CERAMIC AND WIRE	7200-506	THERMOSTAT
5300-085	FIREBOX BOTTOM CLIP	7000-015	THERMOSTAT WIRE

› **WARNING:**

Do not substitute Materials. For replacement parts, or for information about parts or service, contact your authorized HearthStone retailer. For the name of the authorized retailer nearest to you, call (802) 888-5235 or write:

HearthStone Quality Home Heating Products

317 Stafford Ave. Morrisville, Vermont 05661

E-Mail: gastech@hearthstonestoves.com

TROUBLESHOOTING

Symptom	Possible Cause	Corrective Action
1. Pilot will not light.	A. Insufficient gas pressure, air in the pilot line, or dirty or kinked gas line.	A. Using the piezo sparker, try to light the pilot. If it will not light, check the inlet gas pressure.
	B. Pilot orifice plugged.	B. Clean or replace the pilot assembly.
	C. Defective or misaligned electrode at pilot.	C. If a match lights a pilot, check the electrode gap and location. Should be a 1/8" gap in the flame area.
	D. Defective ignitor.	D. Check for a good connection between ignitor and electrode. Check wire insulation. If properly connected and no spark, replace ignitor.
	E. After sitting for "off" season (summer), pilot assembly may be dirty.	E. Clean or replace the pilot assembly.
2. Pilot will not stay lit after carefully following lighting instructions.	A. Low or too high gas pressure	A. Check for proper inlet pressure for the gas being used.
	B. Faulty connections.	B. Measure voltage between valve body and solder connection on the rear of the valve (where the blue wire connects). It should be no less than 7 mV.
	C. Defective thermocouple.	C1. Ensure that the thermocouple connection at the gas valve is tight. C2. Check thermocouple output using millivolt meter. Disconnect from valve and read voltage across wire ends. If the reading is less than 15 mV, replace the pilot assembly. C3. If burning NG, check pilot flame to see that it is impinging on the top of the thermocouple. Clean or replace pilot for maximum flame impingement.
	D. Pilot dirty or plugged.	D. Clean or replace the pilot assembly.

TROUBLESHOOTING

Symptom	Possible Cause	Corrective Action
3. Pilot burning, no gas to main burner, valve knob in the "ON" position, thermostat and/or on/off/t'stat switch in the "ON" position.	A. Thermostat switch or wires defective.	A. Check thermostat/wiring for proper connections. Place jumper wire across terminals at thermostat. If burner comes on, replace defective thermostat. If not OK, place jumper across thermostat wires at gas valve. If burner comes on, tighten connections, or replace faulty wires.
	B. Thermopile may not be generating sufficient voltage.	B. Check thermopile output, using a milli-volt meter. If the optional on/off kit has not been installed, take the readings across generator terminals of the gas valve. TPTH and TP). With the on/off kit, take the readings across TH and Terminal block (which corresponds to #3 on the switch). Milli-volt reading should be greater than 325 mV. If not, replace the pilot assembly. If the meter reading is OK, but the burner does not come on, replace the gas valve.
4. Pilot and burner come on, but go out after some warm-up.	C. Plugged burner orifice.	C. Remove and check burner orifice, clean or replace. Note: do not use any metal cleaning device, as this may damage the orifice.
	A. Inconsistent, of insufficient flame on thermopile.	A. Adjust pilot flame size and assure that the flame is aimed directly at the thermopile.
5. Frequent pilot outage problem.	B. Insufficient gas pressure.	B. Check line pressure to ensure that the correct inlet pressure is present for the type of gas being used. If propane pressure is inconsistent, check for water condensation at the regulator.
	A. Pilot flame may be too low or blowing, (high), causing the pilot safety to drop out.	A. Clean and/or adjust the pilot flame for maximum impingement on the thermopile and thermocouple.
6. Glass fogs	A. A normal result of gas combustion.	A. After the heater has warmed up, the glass should clear.
7. Blue Flames	A. A normal result during the first 20 minutes.	A. Flames should begin to turn more yellowish after 20 minutes of burning.
		B. If the blue color stays; adjust the air shutter for a proper burn.

TROUBLESHOOTING

Symptom	Possible Cause	Corrective Action
<p>8. Floating flames, lazy ill-defined, quiet flames, which roll around, sometimes completely off of the port, sometimes with overly, yellow tips. Possible sooting. Usually accompanied by the odor of aldehydes.</p>	<p>A. Potentially dangerous incomplete combustion due to incorrect air to fuel ratio (lack of combustion air or excessive fuel delivery i.e. excessive gas pressure, overrating of appliance). B. Incorrect air intake/exhaust flow system. Causes may be: B1. Blocked burner. B2. Blocked primary air B3. Blocked secondary air inlets</p>	<p>A. Check the appliance input rate and reduce if necessary. The air intake/exhaust flow system may be too restrictive or blocked (the rate at which the exhaust leaves [draft] determines the rate at which the combustion air is delivered). Poor draft results in insufficient air delivery or a restricted exhaust. Correct air intake/exhaust flow system. B1. Clear ports. B2. Clear obstructions. B3. Clear obstructions. C. If gas pressures are correct and the flames stay the same, adjust the air shutter for a proper burn.</p>
<p>9. Burner flashback. Air-gas mixture ignites inside the burner near the orifice, usually creating a roaring noise like a blowtorch. The problem is an imbalance of gas flow velocity and burning speed pattern.</p>	<p>A. Excessive. B. Burner input underrated. C. Valve leak if flashback occurs with burner valve in off position. D. Improper gas pipe size.</p>	<p>A. Adjust the air shutter for a proper burn. B. Check input rate. Check input pressure using a manometer. Confirm correct gas pressure at house meter or tank (call gas company). Confirm burner orifice size. C. Replace valve. If above corrections do not eliminate flashback, replace burner. D. Correct plumbing.</p>
<p>10. Delayed ignition (makes a sudden "whoosh" noise as the burner lights). This is a buildup of gas prior to ignition. This is more prevalent with propane (LP) fuel.</p>	<p>A. Incorrect air-to-fuel ratio. A1. Primary air incorrect. A2. Burner ports plugged. B. Improper log placement.</p>	<p>A1. Adjust the air shutter for a proper burn. A2. Open ports to allow for proper travel of flames. B. Reposition logs to eliminate interference with flame travel.</p>

RATING LABEL

MODEL # 8300-
SERIAL #



MODEL NAME: CHAMPLAIN DIRECT VENT GAS FIREPLACE HEATER
LISTED: VENTED GAS FIREPLACE HEATER
TESTED TO: ANSI Z21.88-1998 CSA 2.33-M98, CAN/CGA-2.17-M91

CERTIFIED FOR CANADA/HOMOLOGUE POUR LE CANADA
ALSO FOR MOBILE HOME INSTALLATION

FUEL TYPE:	■ NG	■ LP
INPUT RATING (Btu/hr) 0-2000 ft	37,000	37,000
INPUT RATING (Btu/hr) 2000-4500 ft	34,600	36,000
ORIFICE SIZE (DMS) 0-2000 ft	31	49
ORIFICE SIZE (DMS) 2000-4500 ft	32	49
MANIFOLD PRESSURE - LO SETTING (in. W.c./kpa)	1.2/0.3	3.3/0.8
MANIFOLD PRESSURE - HI SETTING (in. W.c./kpa)	3.5/0.87	10.0/2.48
INLET PRESSURE - LO (in.w.c./kpa)	5.0/1.24	11.0/2.88
INLET PRESSURE - HI (in.w.c./kpa)	7.0/1.74	13.0/3.22
MINIMUM INPUT RATING (btu/hr)	20,300	22,600
MAXIMUM OUTPUT (btu/hr) 0-2000 ft	26,200	26,800

MINIMUM CLEARANCES TO COMBUSTIBLES

EDGE OF TOP TO: CEILING 14" / 356 mm
 EDGE OF SIDE TO: BACKWALL 2" / 50 mm
 EDGE OF SIDE TO: SIDEWALL 4" / 102 mm

ELECTRICAL RATING:
115 VOLTS, LESS THAN 2.0A

Several Optional kits are available through HearthStone or your local HearthStone dealer. A blower assembly (kit #93-57001) may be used, two different remote controls (kit #90-56912 & kit #90-56914) can be installed.

This appliance is only for use with the type of gas indicated on this rating plate and may be installed in an aftermarket, permanently located, manufactured (mobile) home where not prohibited by local codes. See owner's manual for details. This appliance is not convertible for use with other gases, unless a certified kit is used. If the vent air intake system is disassembled for any reason, reinstall per the instructions provided with the initial instructions. This vented gas fireplace heater is not for use with air filters.

VENTED GAS FIREPLACE HEATER - NOT FOR USE WITH SOLID FUEL.

MANUFACTURED BY: HearthStone, MORRISVILLE, VERMONT 05661

Date of Manufacture

2001 2002 2003 Jan Feb Mar Apr May Jun Jul Aug Sep Oct Nov Dec

■ ■ ■ ■ ■ ■ ■ ■ ■ ■ ■ ■ ■ ■ ■

DO NOT REMOVE OR COVER THIS LABEL

MADE IN USA

3300-523

HEARTHSTONE GAS-FIRED STOVE AND INSERT **LIMITED WARRANTIES**

These warranties give you specific legal rights. You may also have other rights which vary from State to State.

HearthStone Quality Home Heating Products, Inc. (HearthStone) warrants **to the original purchaser only** (the “Original Purchaser”) the new gas-fired stove/insert manufactured by HearthStone and purchased by the Original Purchaser (referred to as the “Stove” for simplicity) against any of the occurrences listed in this document that result from defects in material or workmanship. All obligations of HearthStone under this document commence on the date the Original Purchaser purchases the Stove (the “Purchase Date”).

LIMITED LIFETIME WARRANTY

HearthStone warrants the following parts of the Stove against the following occurrences that result from defects in material and workmanship:

- All cast iron parts, including the cast iron heat exchanger – against breakage, cracking or burn-through.
- All stones – against cracking or breakage due to thermal stress, **excluding** surface and hairline cracks and scratches that do not affect the operation or safety of the Stove.
- Glass – against breakage due to thermal shock.

LIMITED FIVE-YEAR WARRANTY

HearthStone warrants the following parts of the Stove against the following occurrences that result from defects in material and workmanship:

- Firebox and firebox baffle – against breakage, cracking or burn-through.
- Convective heat exchanger – against breakage, cracking or burn-through.
- Burners, air shutters and orifices – against breakage, cracking or burn-through.
- Ceramic logs and embers – against breakage, cracking or burn-through.

This warranty expires on the fifth (5th) anniversary of the Purchase Date.

LIMITED THREE-YEAR WARRANTY

HearthStone warrants the following parts of the Stove against the following occurrences that result from defects in material and workmanship:

- Gas train, including gas valve, millivolt wiring, spill switch, pilot assembly, thermopile, thermocouple, piezo igniter, and, if the Stove is a vent-free model, ODS system – against breakage or malfunction.

This warranty expires on the third (3rd) anniversary of the Purchase Date.

LIMITED ONE-YEAR WARRANTY

HearthStone warrants the following parts of the Stove against the following occurrences that result from defects in material and workmanship:

- Enamel Finish – against peeling or fading, **excluding** chipping, mechanical abrasion, chemical abrasion or crazing.
- Gaskets and sealants – against breakage or deterioration.
- Accessories and electrical components such as blowers, switches and thermo discs, **excluding** venting components, hearth components, electrical components and other components or accessories used in conjunction with the installation of the Stove **not** manufactured or supplied by HearthStone – against breakage or malfunction.

This warranty expires on the first (1st) anniversary of the Purchase Date.

EXCLUSIONS

The warranties contained in this document do not cover, nor is HearthStone responsible for:

1. Damage resulting from installation or operation of the Stove in a manner contrary to the owner's manual.
2. Damage or non-performance resulting from faulty or incomplete setup, installation and start-up or mishandling, abuse, or misuse of the Stove, including but not limited to over-firing.
3. Damage resulting from installation, modification, alteration, repair or service of the Stove by any party other than HearthStone or an authorized HearthStone dealer (a "Dealer").
4. Damage due to water or due to installation of the Stove in a damp or high condensation area.
5. Damage due to installation of the Stove in an atmosphere contaminated by damaging chemicals, including but not limited to chlorine, fluorine or salts.
6. Scratches on glass, enameled surfaces or stones due to mechanical abrasion.
7. Standard wear and tear of the Stove resulting from normal usage over time.
8. Damage, operational-related problems, or inadequate performance caused by site, installation or environmental conditions beyond HearthStone's control, including but not limited to nearby trees, rooftops, buildings, wind, hills, mountains, inadequate or excessive venting, insufficient make up air, or negative air pressure whether or not caused by mechanical systems such as furnaces, exhaust fans, clothes dryers, etc.
9. A defect in any part of the Stove if the Original Purchaser fails to comply with HearthStone's or a Dealer's request to ship the part or the Stove to HearthStone or a Dealer, as the case may be.

THE WARRANTIES CONTAINED IN THIS DOCUMENT ARE EXCLUSIVE AND ARE GIVEN BY HEARTHSTONE AND ACCEPTED BY THE ORIGINAL PURCHASER IN LIEU OF ALL OTHER EXPRESS WARRANTIES AND ANY OBLIGATIONS, LIABILITIES, RIGHTS, CLAIMS, OR REMEDIES IN CONTRACT OR TORT, WHETHER OR NOT ARISING FROM HEARTHSTONE'S NEGLIGENCE, ACTUAL OR IMPUTED. ALL IMPLIED WARRANTIES, INCLUDING THE WARRANTIES OF MERCHANTABILITY AND FITNESS FOR A PARTICULAR PURPOSE, ARE GIVEN **ONLY** TO THE EXTENT REQUIRED BY FEDERAL OR STATE LAW. EXCEPT AS OTHERWISE REQUIRED BY STATE LAW, UPON THE EXPIRATION OF THE EXPRESS LIMITED WARRANTIES CONTAINED HEREIN, **NO IMPLIED WARRANTIES, INCLUDING THE IMPLIED WARRANTIES OF MERCHANTABILITY OR FITNESS FOR A PARTICULAR PURPOSE, SHALL APPLY TO THE SUBJECT STOVE. SOME STATES DO NOT ALLOW LIMITATIONS ON HOW LONG AN IMPLIED WARRANTY LASTS, SO THE ABOVE LIMITATION MAY NOT APPLY TO YOU.**

THE WARRANTIES CONTAINED IN THIS DOCUMENT EXTEND **ONLY** TO THE ORIGINAL PURCHASER OF THE STOVE WARRANTED HEREUNDER. THEY DO NOT EXTEND TO ANY SUBSEQUENT OWNERS.

UNDER NO CIRCUMSTANCES SHALL HEARTHSTONE BE LIABLE TO THE ORIGINAL PURCHASER OR ANY OTHER PERSON FOR ANY INCIDENTAL OR CONSEQUENTIAL DAMAGES, INCLUDING BUT NOT LIMITED TO DAMAGE TO PROPERTY OR PERSONAL INJURIES, WHETHER ARISING OUT OF BREACH OF WARRANTY, TORT, OR OTHERWISE, EVEN IF HEARTHSTONE HAS BEEN APPRAISED OF THE POSSIBILITY OF SUCH DAMAGES. **SOME STATES DO NOT ALLOW THE EXCLUSION OR LIMITATION OF INCIDENTAL OR CONSEQUENTIAL DAMAGES, SO THE ABOVE LIMITATION OR EXCLUSION MAY NOT APPLY TO YOU.**

QUALIFYING FOR WARRANTY COVERAGE

To obtain performance of any obligation under this document, the Original Purchaser must, **within the applicable warranty time period**, contact HearthStone, at the address listed in the Warranty Registration section below or at **(802) 888-5235**, or a Dealer for instructions regarding the return of defective parts for repair, the return of the Woodstove for repair, or a Dealer service call. The Original Purchaser should refer to the Dealer network search

engine contained on HearthStone's Web site (www.hearthstonestoves.com), or call HearthStone at (802) 888-5235, to find a Dealer nearest the Original Purchaser's location.

REMEDY The remedy for any breach of the foregoing warranties will consist of repair or replacement, at HearthStone's option, of any covered defect in the Stove. When the Original Purchaser contacts HearthStone or a Dealer, HearthStone or the Dealer, as the case may be, will instruct the Original Purchaser to **either** return the defective part, or the entire Stove (if needed), with shipping prepaid, to HearthStone or a Dealer **or** allow a Dealer to make a service call at the place where the Stove is located. In the event the Original Purchaser refuses to allow a Dealer to make a service call, HearthStone or a Dealer, as the case may be, will request that the Original Owner return the defective part, or the entire Stove (if needed), with shipping prepaid, to HearthStone or a Dealer.

Notwithstanding any other provision of this document, the Original Purchaser shall pay for any travel fees and service charges related to a Dealer's service call.

Parts: HearthStone will replace defective parts covered by the foregoing warranties at no charge.

Labor: Within the first (1st) year after the Purchase Date, HearthStone will pay for warranty labor performed by a Dealer at HearthStone's published labor rates in effect at the time the labor is performed. Thereafter, the Original Purchaser is responsible for the cost of labor.

Shipping cost for parts: Within the first ninety (90) days after the Purchase Date, HearthStone will pay for the shipping of Stove parts covered by any of the foregoing warranties to and from HearthStone or a Dealer, as the case may be. Thereafter, the Original Purchaser is responsible for all shipping costs related to shipping Stove parts to and from HearthStone or a Dealer, as the case may be.

Shipping cost for the Stove: Within the first (1st) year after the Purchase Date, if the Original Purchaser is instructed to return the Stove to HearthStone or a Dealer for repair, HearthStone will pay fifty percent (50%) and the Original Purchaser will pay fifty percent (50%) of the shipping costs related to shipping the Stove to and from HearthStone or a Dealer, as the case may be. Thereafter, the Original Purchaser is responsible for one hundred percent (100%) of all of the shipping costs related to shipping the Stove to and from HearthStone or a Dealer, as the case may be. Notwithstanding any other provision of this document, in no event will HearthStone pay for any Dealer fees or other fees for pick up or delivery of the Stove returned for repair; the Original Purchaser shall be responsible for any such fees.

WARRANTY REGISTRATION

The Original Purchaser may send a completed and signed Warranty Registration Form, which is enclosed in the Stove warranty packet, to the following address:

**HearthStone Quality Home Heating Products, Inc.
Warranty Department
317 Stafford Avenue
Morrisville, VT 05661**

NOTE: SENDING IN THE SIGNED WARRANTY REGISTRATION FORM IS *NOT* A CONDITION OF WARRANTY COVERAGE OR HEARTHSTONE'S PERFORMANCE.