



**EAP145H True HEPA / Activated Carbon Air Purifier  
with plasma ioniser and Remote Control**

## **USER MANUAL**



**Thank you for choosing this innovative ElectriQ Air Purifier  
Please read this user manual before using the product and  
keep it safe for future reference.**

**Visit our page [www.electriQ.co.uk](http://www.electriQ.co.uk) for our entire range of Intelligent Electricals**

# CONTENTS

<b>1. SAFETY INSTRUCTIONS</b>	<b>3</b>
<b>2. AIR PURIFIER FEATURES AND INDOOR POLUANTS</b>	<b>4</b>
<b>4. OPERATION</b>	<b>5</b>
<b>5. FILTER INSTALLATION</b>	<b>5</b>
<b>6. DIAGRAM OF THE AIR PURIFIER</b>	<b>6</b>
<b>7. CONTROL AND SETTINGS</b>	<b>7</b>
<b>8. REMOTE CONTROL OPERATION</b>	<b>8</b>
<b>9. TROUBLESHOOTING</b>	<b>8</b>
<b>10. APPENDIX AND TECHNICAL DATA</b>	<b>9</b>

## **SAFETY INSTRUCTIONS**

### **Important!**

- Carefully read the instructions before operating the unit
- This appliance is for indoor use only.
- Rating: This unit must be only connected to a 220-240 V / 50 Hz earthed outlet.
- Installation must be in accordance with regulations of the country where the unit is used.
- If you are in any doubt about the suitability of your electrical supply have it checked and, if necessary, modified by a qualified electrician.
- This air purifier has been tested and is safe to use. However, as with any electrical appliance - use it with care.
- Disconnect the air purifier from socket when changing the filters or cleaning the unit.
- Avoid touching any moving parts of the appliance.
- Never insert fingers, pencils or any other objects through the guard.
- This device is not intended for use by persons (including children) with reduced physical, sensory or mental capabilities. It is also not intended for use by those with a lack of experience and knowledge, unless they have been given supervision or instruction concerning the use of the appliance by a person responsible for their safety.
- Do not leave children unsupervised with this device.
- Do not clean the unit by spraying it or immersing it in water. Use a damp cloth only. Never allow water or vapours to enter the unit.
- Do not clean with strong chemical agents or other abrasive materials.
- Never connect the unit to an electrical outlet using an extension cord. If a power outlet is not available, one should be installed by a qualified electrician.
- Never operate this appliance if the cord or power supply is damaged. Ensure the power cord is not stretched or exposed to sharp object/edges.
- A damaged power supply should be replaced by the manufacturer. Never extend or attempt to change the power supply lead.
- Any service other than regular cleaning or filter replacement should be performed by an authorized service representative. Failure to comply could result in a voided warranty.
- Do not use the appliance for any other purposes than its intended use.
- Avoid removing the power cord from socket while unit is still in operation. This could cause electrical damage.
- Never use the power supply as a switch to start and turn off the air purifier unit. Use the provided ON/OFF switch located on the control panel.
- Always place the unit on a dry and stable surface.
- The use of accessory attachments that have not been approved by the appliance manufacturer is not recommended, as this may result in fire, cause an electric shock and/or cause personal injury.
- Ensure hands are fully dried before plugging or unplugging the appliance.
- The appliance should not be installed in laundry or wet rooms.

### **Energy Saving and Unit Safety Protection Tips**

- Do not cover or restrict the airflow from the outlet or inlet grills.
- For maximum performance and safety the minimum distance from a wall or objects should be 20 cm. Keep away from other electrical appliances.
- Keep the filters clean. Under normal conditions, filters should only need cleaning once every two weeks (approximately). Since the filters remove airborne particles, more frequent cleaning maybe necessary, depending on the air quality.

**EAP145H** provides 3 stages air purification using professional air filtration and sterilisation.

- Advanced activated carbon filter - removes unpleasant odours and absorbs harmful substances as formaldehydes and benzenes
- Antibacterial True HEPA filter - to remove 99.98 % of airborne particles of 0.25 micrometres or larger
- Plasma Ioniser - sterilizes even further and removes mould spores and allergens from the air

**Applications:**

- Personal use in domestic and office space to improve air quality
- Helps smokers to minimise the effects of smoking
- Helps asthma and pollen sufferers
- Schools, hospitals, hotels, pubs and other public spaces to enhance clean standards

**Notes:**

This air purifier is not a substitute for proper ventilation, regular vacuum cleaning or for the use of a cooker hood while cooking. If the humidity is over 60% Relative Humidity we recommend using a dehumidifier to reduce the humidity.

**Information on Indoor Pollutants:**

**VOC (Volatile Organic Compound)** – VOC's come from motor vehicle exhausts, gasoline vapour, pollutants such as formaldehyde, ammonia and many other common and chemical solvents - like paints and glues or can be a by-product of mould growth. VOC's cause irritation to the eyes and or nose as well as causing headaches, nausea, and even potential damage to the central nervous system. Pressed wood furniture, newly decorated rooms, paint and cleaning solvents are common sources of VOC's.

**MOLD / FUNGUS** – These can affect our respiratory system and cause allergic reactions, like a runny nose, eye and throat irritation, headaches, fatigue and aggravation of asthma. Other indoor pollutants include - bacteria, viruses, dust mites and pollen, etc.

**Emissions from electronic office equipment** – Many studies, including those from EPA and the University of California Berkeley, have reported that emissions from office equipment like, computers and printers etc. include VOC's, ultra-fine particles and ozone.

These emissions have been proven to have a negative effect on the health of many people.

**Using HEPA and Carbon Activated filters, Plasma Ionization**

An effective **HEPA** filter is absolutely necessary to remove particles, even at a microscopic level; it ensures that the particles are not spread. **Plasma Ioniser** will sterilise the air and reduce bacterial growth.

The **antibacterial activated carbon** in the EAP145H is a natural material biosynthesized from walnut shell, the adsorption area of activated carbon is very large up to 600,000 square meters. The activated carbon filter will absorb unpleasant odours and reduce the VOC content in the air.

Plasma Ioniser will sterilise the air and reduce bacterial growth.

## Operation Instructions

### Before first use

Please remove any packing and plastic films before using your air purifier. Please assemble the unit and install the filters as per filter changing instructions.

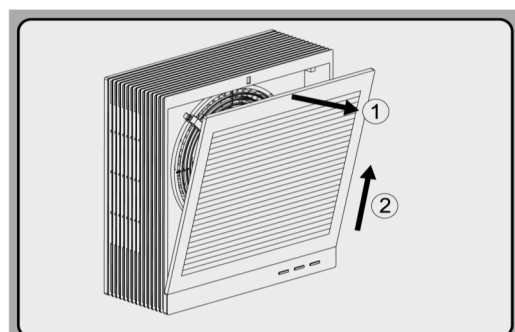
**Note:** for convenience HEPA and the advanced activated carbon are combined in one easy replaceable filter. High performance HEPA / Carbon filters are not washable, keep them dry at all times and vacuum regularly.)

1. Unplug the unit from the socket.
2. Turn the unit around with front panel facing you
3. Hold the top of the panel and pull out from the top first to access the filter chamber. To replace the filters following full instructions. When putting new filters in, ensure always the front side is facing outward and filter ropes are visible.
4. The device should not be turned on until the front panel is fully closed.

### Installing or replacing the Filters

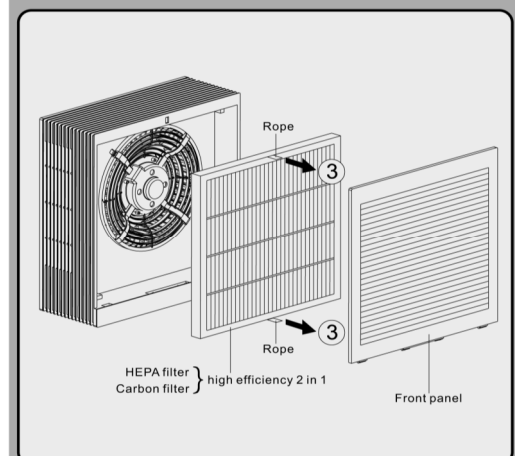
#### Removal of Front Panel

Hold the top of the front panel and angle the panel outward (1). Then pull the panel upwards on the direction of the control panel (2)



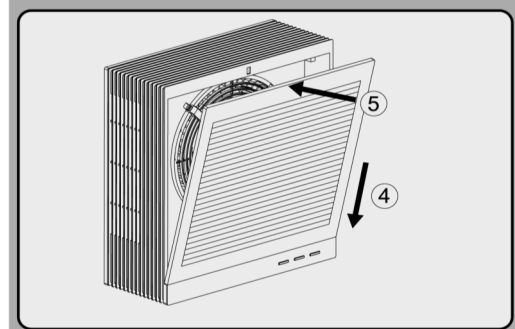
#### Installation / Removal of filters

Once front panel is removed the two-in-one HEPA / advanced activated carbon filter pack can be easily installed. Make sure the plastic filter packaging is removed and the filters ropes are facing outwards. When removing / replacing the filters make sure you always pull them outward by pulling the both ropes in the same time (3).

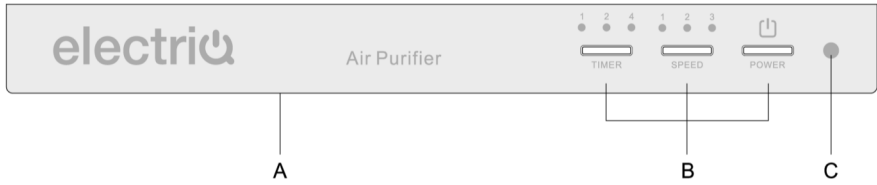


#### Re-sitting the front panel

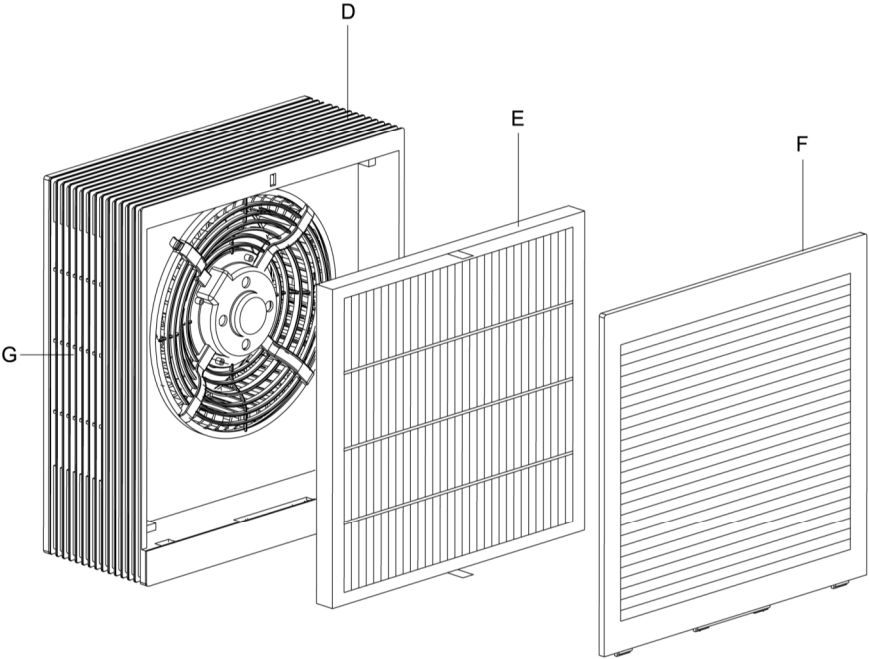
Place the panel down into the panel guide as shown by the direction of arrow (4) then push it into base in the direction of arrow (5).



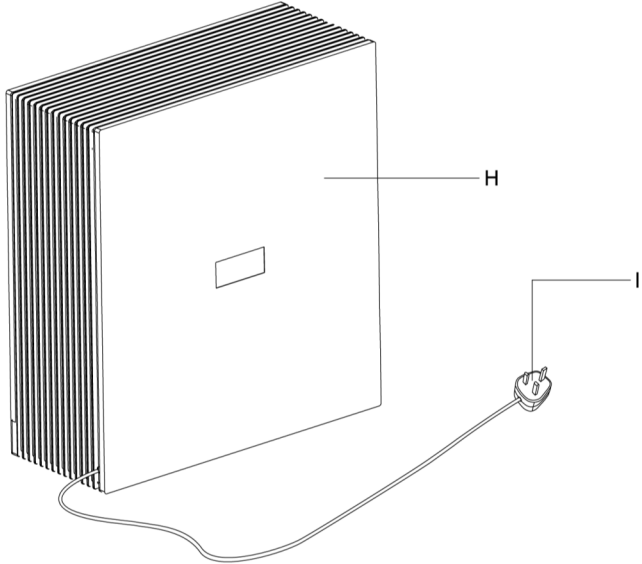
### Diagram of the Air Purifier



A. Control panel  
 B. Selection Keys  
 C. Infrared receiver



- A. Control panel
- B. Selection Keys
- C. Infrared receiver
- D. Air Purifier assembly
- E. TRUE HEPA and Advanced activated carbon filter
- F. Front Panel
- G. Air outlet
- H. Back Panel with Name plate
- I. Power cord and plug



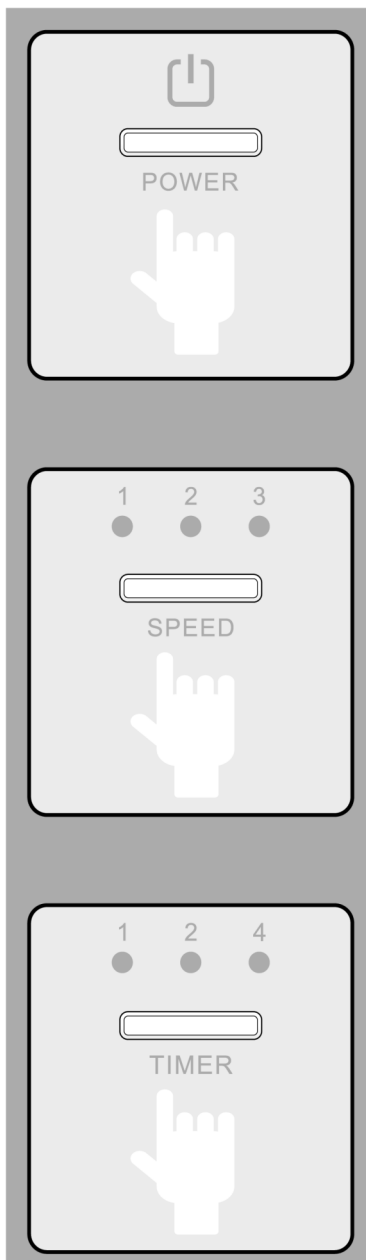
## Controls and Settings

electric

Air Purifier



**EAP145H** is a simple to operate air purifier designed with both style and efficiency in mind. EAP145H also features a simple remote control for your convenience.



Press **“POWER”** key and the air purifier will start operating at default **SPEED 1** setting, plasma ioniser will be on automatically. The LED lights will be on showing both power on and **SPEED 1**.

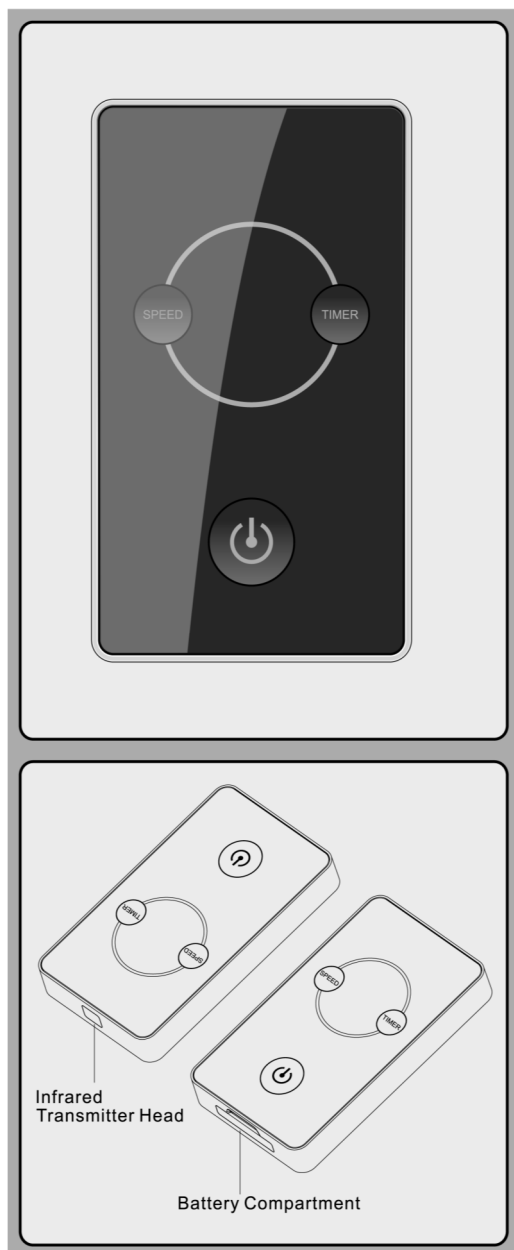
To switch off the unit press **“POWER”** key again or use the stopping **“TIMER”** function.

**“SPEED”** key cycles between 3 fan speeds settings from 1 to 3 corresponding to fan **speed: Low / Medium / High**

The LED light will indicate the selected fan speed.

**“Timer”** key cycles between stopping timer operation: 1 hour, 2 and 4 hours stopping timer (1, 2, 4). The LED light will indicate the selected stopping timer selected.

## Remote control operation



### Using the Remote Control

Point the Remote control towards the Control Panel of the Air Purifier.

The Remote Control will operate within 6 meters of the unit and a 30 degrees angle.

The 3 buttons on the remote control will replicate the functions of the control panel.

“Power” – Turns **ON / OFF** the unit

“Speed” – Sets the fan **Speed**

“Timer” – Activates the stopping **timer**

**Notes:** Weak battery or obstacles in front of the infrared sensor will interfere with the remote operation of the unit.

### Remote Care

Please replace the battery if signal is weak or remote does not operate.

Please use same battery type as the original one.

Dispose the used batteries safely according to the local laws.

Keep the remote control out of reach of children.

## Troubleshooting

The Air purifier does not seem to work	Is the power plug disconnected from the wall socket? Is the socket switched on? The front panel may not be installed properly, please re-install.
No clean air is delivered	Please ensure filters are cleaned and the packing was removed from the filters
Abnormal noise during operation	Air inlet or outlets may be blocked. Remove obstruction and try again. If this fails contact ElectriQ support centre



## APPENDIX



**Disposal:** Do not dispose this product as unsorted waste. Collection of such waste must be handled separately as special treatment is necessary.

Recycling facilities are now available for all customers at which you can deposit your old electrical products. Customers will be able to take any old electrical equipment to participating sites run by their local councils. Please remember that this equipment will be further handled during the recycling process, so please be considerate when depositing your equipment. Please contact the local council for details of your local household waste recycling centres.

### Technical Data

Model	<b>EAP145H</b>		
CADR	<b>145 CFM (247 m<sup>3</sup>/hr)</b>		
Fan Speed	Low	Medium	High
Airflow (m <sup>3</sup> /hr)	95	145	247
Noise level (db)	29	42	55
Power rating (W)	58		
Ions	3x10 <sup>6</sup> ions/cm <sup>3</sup>		
Power cord length	1.8 meters		
Net Size (wxdxh)	40 x 16.1 x 42.5 cm		
Net Weight	4.6 kgs		
Voltage	220-240 V, 50 hz		
	<b>HEPA Filter</b>		
Size (wxdxh)	Efficiency	Particle Size	Life Time
38 x 1.5 x 36 cm	99.98%	≤0.00025 mm	>1 year
	<b>Carbon Activated Filter</b>		
Size (wxdxh)	Material	Active Filter Absorption Surface	Life Time
38 x 1 x 36 cm	Walnut Shell	600,000 m <sup>2</sup>	>1 year

**UK PRODUCT SUPPORT**  
**www.appliancesdirect.co.uk**

**Please, for your own convenience, make these simple checks before calling the service line.**

1. Is the unit plugged into the mains?
2. Is the power supply OK?
3. Have you cleaned or changed the filters if the unit lost efficiency?
4. Switch the unit off and wait three minutes to see if the issue is resolved. Restart the unit.

**If the unit still fails to operate call: 0871 620 1057 or complete the online form**

**Office hours: 9AM - 5PM Monday to Friday**

**www.electriQ.co.uk**

**Unit 2, The Nursery**

**Berristow Lane**

**South Normanton**

**Derbyshire, DE55 2FX**