



Operator Interface Unit for GE Fanuc GENIUS™ and Universal Automation FloPro™

User Manual

Horner APG

*GENIUS is a trademark of GE Fanuc Automation, North America, Inc.
FloPro is a trademark of Universal Automation*

09 FEB 1999

MAN0102-04

FOR NORTH AMERICA ONLY!

MODEL NUMBER: HE693OIU910

SERIAL NUMBER: _____

WARRANTY REGISTRATION FORM

Please fill out this form and return it to Horner Electric. This information is vital to Horner Electric, should warranty service be required. This document is also used to keep you informed of new product enhancements, software revisions and documentation updates.

IT IS IN YOUR BEST INTEREST TO FILL OUT AND RETURN THIS FORM!

Date of purchase: _____

Name: _____

Title: _____

Company: _____

Department/Division: _____

Street Address: _____

City/State/Zip: _____

Area Code/Phone Number: _____

Purchased from (Distributor): _____

Please indicate the type of application where this product is to be used, check all that apply:

Chemical processing

Demo equipment

Education

Energy management

Food processing

Military

Product assembly/testing

Waste processing

Other (specify)

<input type="checkbox"/>
<input type="checkbox"/>
<input type="checkbox"/>
<input type="checkbox"/>
<input type="checkbox"/>
<input type="checkbox"/>
<input type="checkbox"/>
<input type="checkbox"/>
<input type="checkbox"/>
<input type="checkbox"/>
<input type="checkbox"/>

product: _____

FOLD

STAMP

Horner APG

APG - Controls Division

640 N. Sherman Drive Street
Indianapolis, Indiana 46201-3899

ATTN: Warranty Registration Department

FOLD

P R E F A C E

This manual explains how to use the Horner APG Operator Interface Unit for use with the GE Fanuc Genius I/O Network and Universal Automation's FloPro.

Copyright (C) 1992 Horner APG, LLC., 640 N. Sherman Drive, Indianapolis Indiana 46201-3899. All rights reserved. No part of this publication may be reproduced, transmitted, transcribed, stored in a retrieval system, or translated into any language or computer language, in any form by any means, electronic, mechanical, magnetic, optical, chemical, manual or otherwise, without the prior agreement and written permission of Horner Electric, Inc.

Information in this document is subject to change without notice and does not represent a commitment on the part of Horner APG, LLC.

Genius, Logicmaster and Series 90 are trademarks of GE Fanuc Automation North America Inc.

FloPro is a trademark of Universal Automation.

LIMITED WARRANTY AND LIMITATION OF LIABILITY

Horner APG, LLC. Inc. ("HE") warrants to the original purchaser that the Operator Interface Unit manufactured by HE is free from defects in material and workmanship under normal use and service. The obligation of HE under this warranty shall be limited to the repair or exchange of any part or parts which may prove defective under normal use and service within two years from the date of manufacture or eighteen (18) months from the date of installation by the original purchaser whichever occurs first, such defect to be disclosed to the satisfaction of HE after examination by HE of the allegedly defective part or parts. THIS WARRANTY IS EXPRESSLY IN LIEU OF ALL OTHER WARRANTIES EXPRESSED OR IMPLIED INCLUDING THE WARRANTIES OF MERCHANTABILITY AND FITNESS FOR USE AND OF ALL OTHER OBLIGATIONS OR LIABILITIES AND HE NEITHER ASSUMES, NOR AUTHORIZES ANY OTHER PERSON TO ASSUME FOR HE, ANY OTHER LIABILITY IN CONNECTION WITH THE SALE OF THIS OPERATOR INTERFACE UNIT. THIS WARRANTY SHALL NOT APPLY TO THIS OPERATOR INTERFACE UNIT OR ANY PART THEREOF WHICH HAS BEEN SUBJECT TO ACCIDENT, NEGLIGENCE, ALTERATION, ABUSE, OR MISUSE. HE MAKES NO WARRANTY WHATSOEVER IN RESPECT TO ACCESSORIES OR PARTS NOT SUPPLIED BY HE. THE TERM "ORIGINAL PURCHASER", AS USED IN THIS WARRANTY, SHALL BE DEEMED TO MEAN THAT PERSON FOR WHOM THE OPERATOR INTERFACE UNIT IS ORIGINALLY INSTALLED. THIS WARRANTY SHALL APPLY ONLY WITHIN THE BOUNDARIES OF THE CONTINENTAL UNITED STATES.

In no event, whether as a result of breach of contract, warranty, tort (including negligence) or otherwise, shall HE or its suppliers be liable of any special, consequential, incidental or penal damages including, but not limited to, loss of profit or revenues, loss of use of the products or any associated equipment, damage to associated equipment, cost of capital, cost of substitute products, facilities, services or replacement power, down time costs, or claims of original purchaser's customers for such damages.

To obtain warranty service, return the product to your distributor after obtaining a "Return Material Authorization". Include a description of the problem, proof of purchase, post paid, insured and in a suitable package.

ABOUT THE PROGRAM EXAMPLES

The example programs and program segments in this manual are included solely for illustrative purposes. Due to the many variables and requirements associated with any particular installation, Horner Electric cannot assume responsibility or liability for actual use based on the examples and diagrams. It is the sole responsibility of the system designer utilizing this software to appropriately design the end system, to appropriately integrate the Operator Interface Unit and to make safety provisions for the end equipment as is usual and customary in industrial applications as defined in any codes or standards which apply.

TABLE OF CONTENTS

CHAPTER 1: INTRODUCTION	Page 1-1
1.1 What You Have	Page 1-1
1.2 Operator Interface Unit Features	Page 1-1
1.3 Hardware Description	Page 1-2
1.4 Specifications	Page 1-2
CHAPTER 2: INSTALLATION	
2.1 Mounting Requirements	Page 2-1
2.2 Power Requirements	Page 2-1
2.3 Genius Network Connector	Page 2-2
2.4 RS232 Connector	Page 2-2
2.5 GENI Configuration	Page 2-3
2.6 OIU DIP Switches	Page 2-5
2.7 Logicmaster 90-70 Configuration	Page 2-6
APPENDIX A: PANEL CUTOUT	
APPENDIX B: RS-232 CABLE PINOUT	
APPENDIX C: DISPLAYABLE CHARACTERS	
APPENDIX D: TECHNICAL INFORMATION	

CHAPTER 1: INTRODUCTION

Congratulations on your purchase of the Operator Interface Unit. This unit has been designed using state-of-the-art electronic components and incorporates a sophisticated firm-ware package that gives the Original Equipment Manufacturer (OEM) the ability to utilize this unit with the powerful FloPro Development Package from Universal Automation.

1.1 What You Have

The Operator Interface Unit (OIU) comes complete with the following items:

- A. Assembled OIU module and mounting hardware, including the Genius™ Network Interface board (GENI).
- B. Aluminum Rear Cover for OIU (Available January, 1993).
- C. This manual.

1.2 Operator Interface Unit Features

The Horner Operator Interface Unit provides the following features:

- A. Gasketed NEMA 4-12 panel with a rugged Lexan™ overlay, mounting hardware included.
- B. Four line by 20 character dot-matrix vacuum-fluorescent display.
- C. Tactile feel keypad with numeric support plus special function keys.
- D. Integrated Genius Network Interface board (GENI) for communications on GE Fanuc's Genius Distributed I/O Network.
- E. Acts as a high-performance FloPro Remote Message Unit by communicating over a high speed I/O network instead of a slower, serial based connection.
- F. Standard 9-pin RS232 communications port, for connection to a GE Fanuc PowerMate Motion Controller.
- G. Optional Auxiliary RS232 communications port for communications with a second GE Fanuc PowerMate Motion Controller.

1.3 Hardware Description

The Operator Interface Unit (HE693OIU910) consists of six main components, and one optional component. They are:

- A) Keypad / Mounting plate.
- B) Main Circuit Board.
- C) Vacuum Fluorescent Display Circuit Board.
- D) Power Supply Circuit Board.
- E) Genius Network Interface (GENI) Board.
- F) Aluminum Rear Cover.
- G) (Optional) Auxiliary RS232 Circuit Board. (HE-BUS architecture).

The OIU is a microprocessor-based high-performance communications device. The core of the Main Circuit Board is the Intel 80C152 microprocessor running at 11.0592 MegaHertz. The "firmware" memory is contained in a 27C256 EPROM device. The Main Circuit Board is also equipped with 32K bytes of high-speed static RAM memory. There is no retained memory on the unit. The OIU incorporates a Genius Network Interface board (GENI) that provides the link to the Genius network. The initial OIU power supply accepts a wide AC input range. A standard 24VDC power supply will be standard after January 1, 1993.

1.4 Specifications

Mounting Requirements:	Panel Mounting, NEMA 4-12
Communications:	Genius Network Interface (GENI)
Additional Communications:	Standard RS232 for PowerMate. Optional Auxiliary RS232 for PowerMate
Power Requirements:	
DC Version	12.5-32 VDC, 14 Watts power max.
Operating Environment:	0 to 60° C. (32 to 140° F). 0 to 95% humidity (non-condensing).
Non-Volatile Memory:	None

CHAPTER 2: INSTALLATION**2.1 Mounting Requirements**

The OIU is designed for permanent panel mounting. To install the OIU:

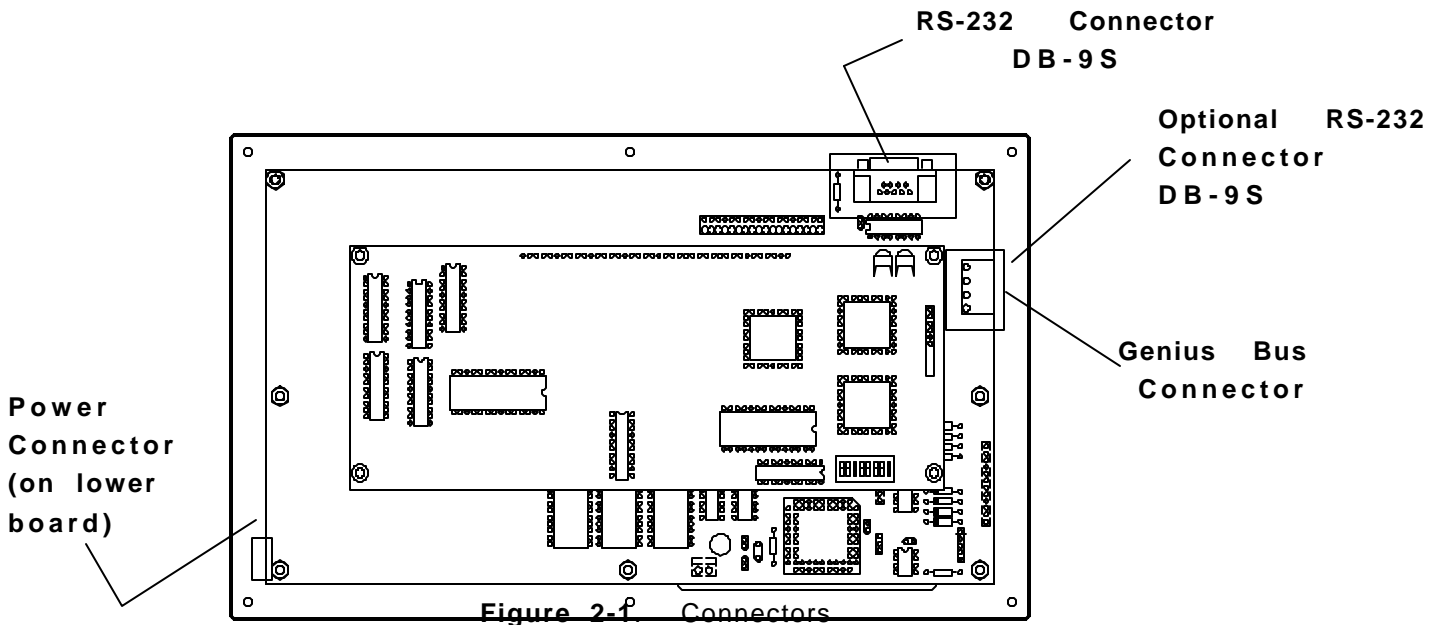
- A. Cut the host panel as described by the drawing in Appendix A.
- B. Make sure all terminal connectors are removed from the OIU.
- C. Remove the aluminum back cover (if installed), by removing the screws securing it to the OIU. Carefully lift the cover off the rear of the OIU a few inches, disconnecting the power terminal from the power supply circuit board. The rear cover should now be completely free of the OIU.
- D. Remove the six #6-32 hex nuts and washers from the outer mounting studs on the rear of the OIU panel.
- E. Insert the OIU module through the front panel cutout. The gasket material should lie between the host panel and the OIU panel.
- F. Install the six #6-32 nuts and lock-washers on the six mounting studs of the OIU. Tighten these nuts until the gasket material forms a tight seal, do not overtighten.
- G. Re-install the rear cover (if present). Be sure to re-connect the power terminal to the power supply circuit board. Re-connect all terminal connectors (power and Genius network terminals). This completes the mechanical installation of the OIU module.

2.2 Power Requirements

The OIU power supply requires a DC supply voltage between 12 and 32 volts. A maximum of 14 watts will be drawn by the OIU. The OIU power supply features a 3-position, removeable terminal block. See **Figure 2-1** for connector location. The pinout for this connector is shown below in **Table 2-1**.

Table 2-1. DC connector pinout

Pin	Signal
1	Frame Ground
2	DC Common
3	+12-32VDC



2.3 Genius Network Connector

The OIU is also equipped with a 4-pin Genius bus connector. The mating connector provides screw terminals for each circuit. The pinout for this connector is as follows:

Pin	Signal
1	Serial 1
2	Serial 2
3	Shield Out
4	Shield In

Table 2-2. Genius Network Connector Pinout

2.4 RS232 Connector(s)

The 9-pin “D” connectors on the main circuit board and optional auxiliary port provide RS232 interfaces to two GE Fanuc PowerMate Motion Controllers. The OIU-to-PowerMate cable pinout is shown in Appendix B. For more technical information on the communications between the OIU and the PowerMate, see Appendix D.

2.5 GENI Configuration

The GENI board (located on the rear of the OIU module) is equipped with a bank of 8 “DIP” switches. DO NOT CONFUSE THIS DIP SWITCH WITH THE 6-POSITION DIP SWITCH ON THE MAIN CIRCUIT BOARD DESCRIBED LATER. These switches are used to configure the Genius “bus” address or “Device Number” for the OIU module, and to set the module’s Genius baud rate.

Each device on the Genius network must have a unique “Device Number” (0 to 31). The OIU may be configured for any device number, however the following conventions should be followed when choosing the device number for the OIU:

- A. The bus controller is usually configured as device number 31.
- B. The redundant bus controller (if any) is usually configured as device number 30.
- C. The Hand-Held monitor is usually configured as device number 0.

When shipped from the factory, the OIU dip switches are configured for device number 29, and for communication baud rate of 153.6K standard. Multiple OIUs may reside on the network, provided that they have unique device numbers. Available dip switch settings are illustrated in **Figure 2-2**.

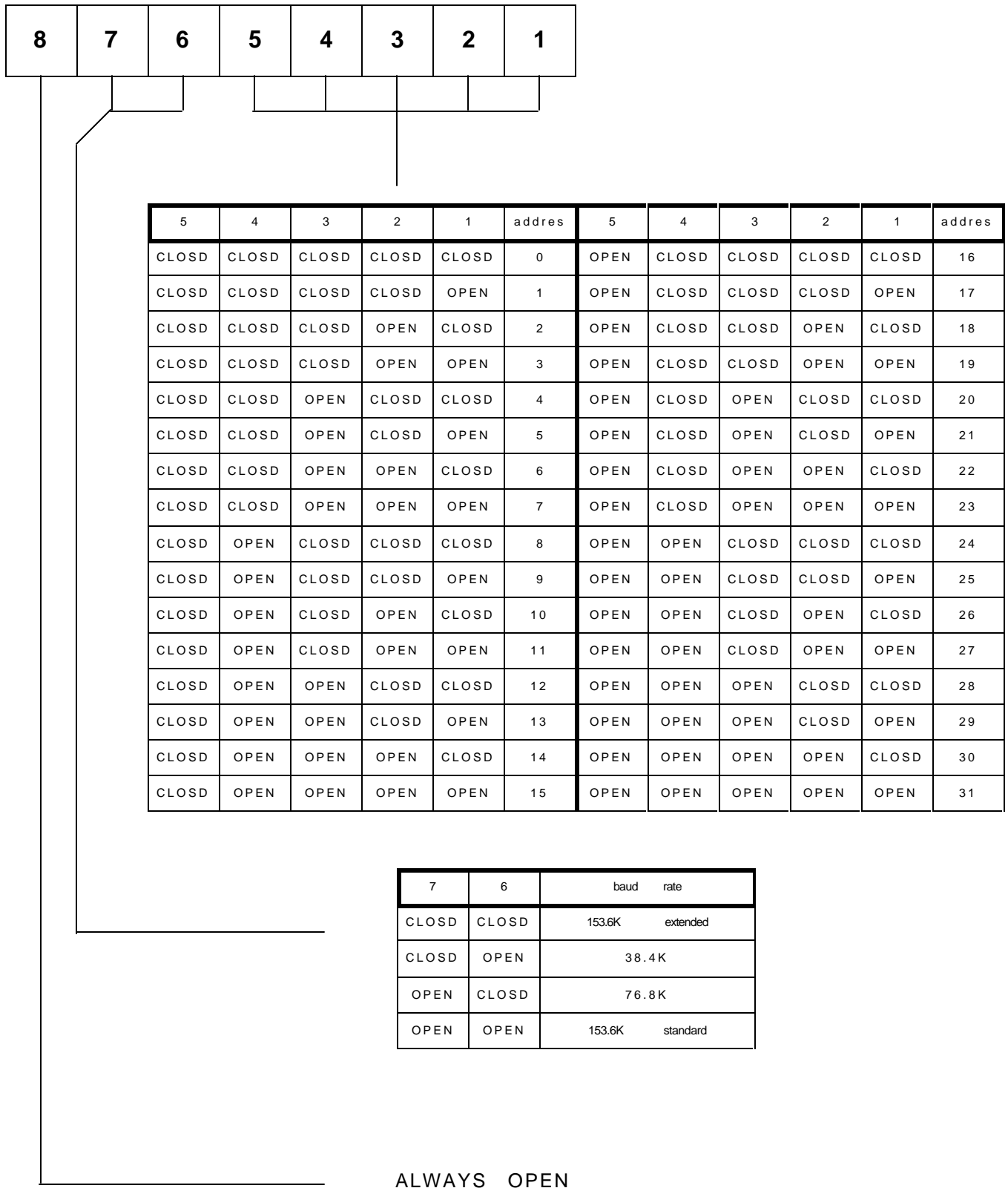


Figure 2-2. GENI DIP Switch Assignments

2.6 OIU DIP Switches

The MAIN circuit board is equipped with a bank of 6 “DIP” switches. These switches are accessible by removal of the metal back cover. **The user should never need to change the default position(s).** The default positions are indicated in **BOLD** below. These switches are used to configure the following OIU options:

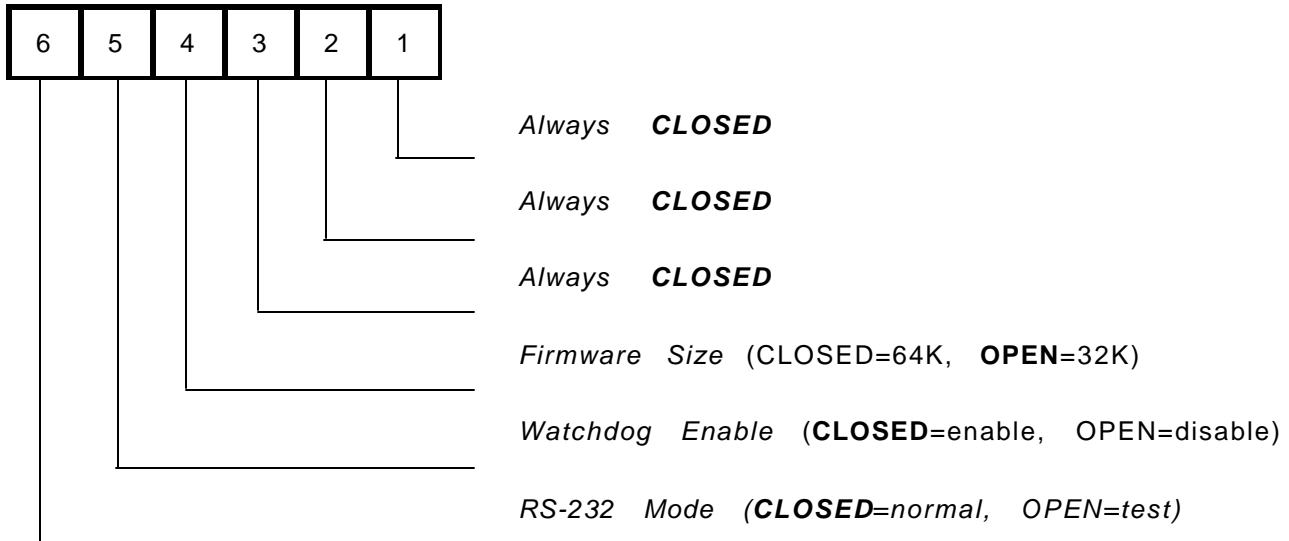


Figure 2-3. MAIN board DIP Switch Assignments

2.7 Logicmaster 90-70 Configuration

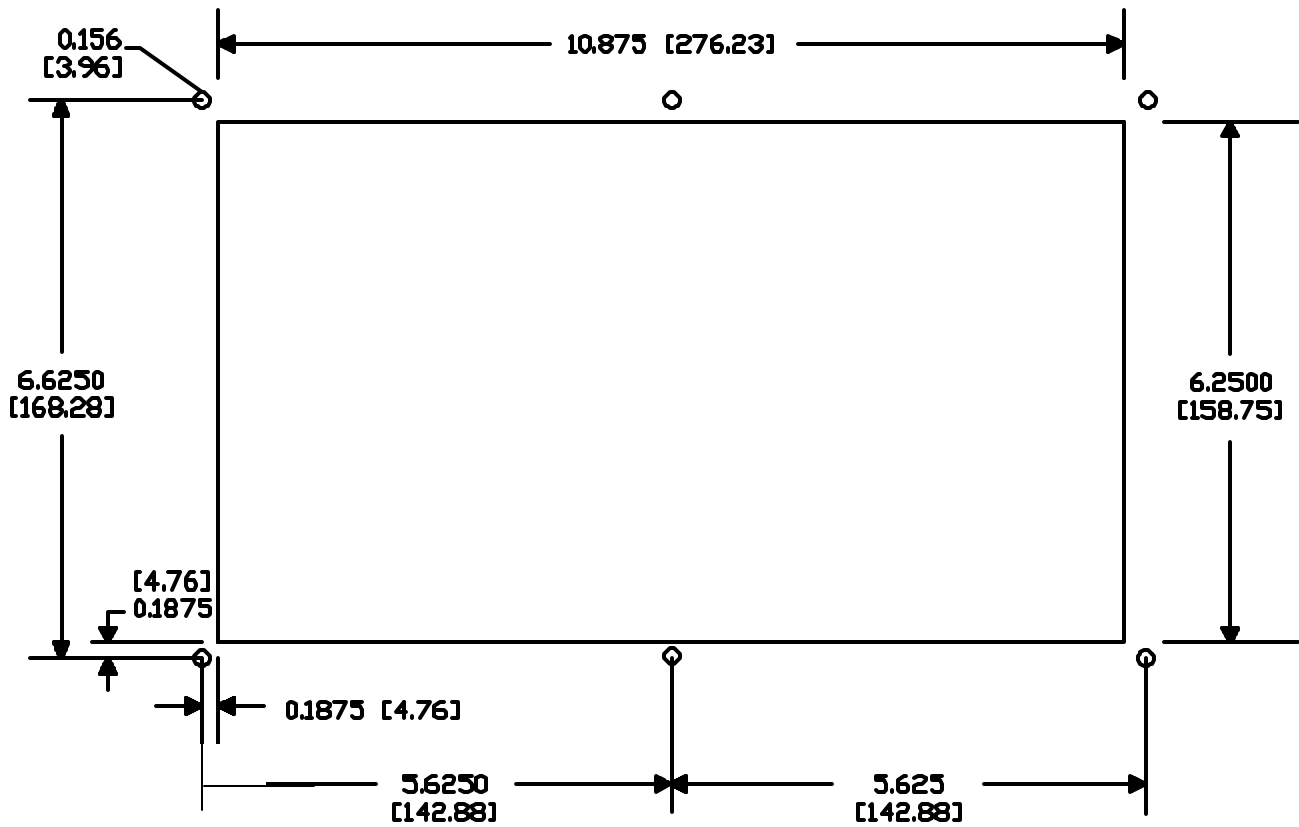
The 90-70 Genius Bus Controller must be configured by Logicmaster to communicate with the OIU. The proper settings are as follows:

GENI-based device		<i>*the proper bit memory type (%I, %M, %G, etc.) will be determined by GE Fanuc and Universal Automation</i>
Config Mode:	manual	
To:	(bit type memory)*	
Input Length:	8	

2.8 FloPro Configuration

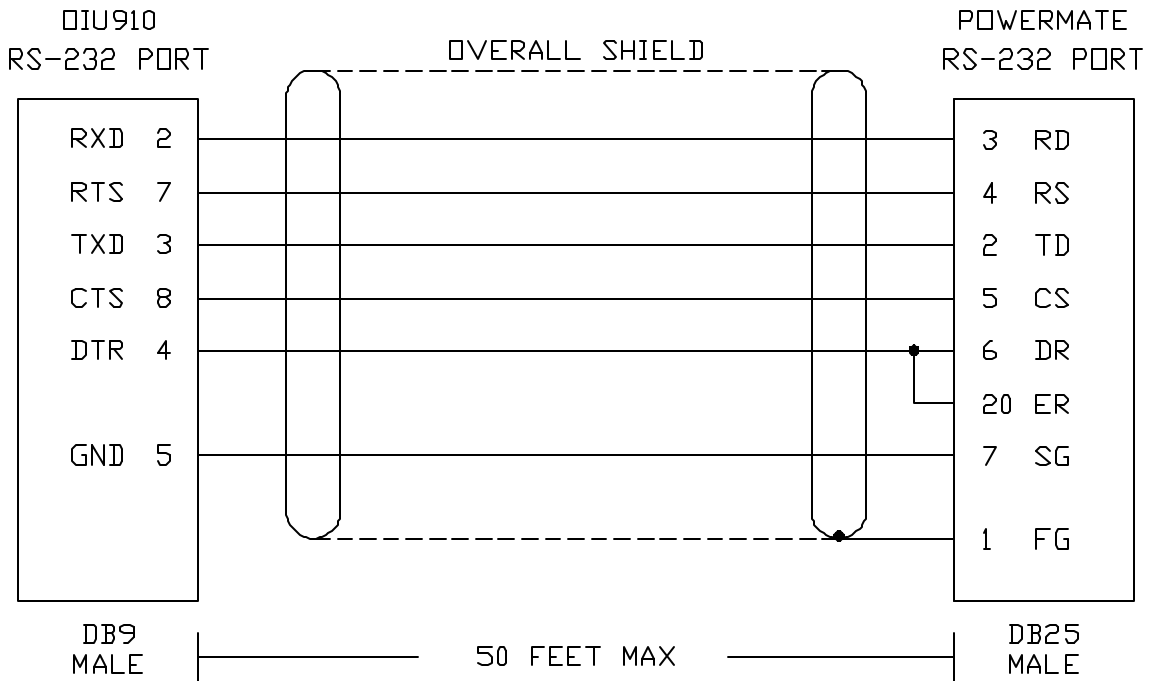
Consult documentation provided with Universal Automation FloPro for the configuration of Remote Message Units (OIUs) in FloPro. Future editions of this manual may provide this information for convenience.

The OIU module is designed for panel mounting. The drawing below illustrates the panel cutout required for OIU module mounting. All dimensions shown in brackets are in millimeters, and those shown without brackets are in inches.



APPENDIX B: RS-232 CABLE PINOUT

Following is the wiring diagram for the RS-232 cable for communications between the OIU910 serial port and the PowerMate Motion Controller Serial Port..



APPENDIX C: DISPLAYABLE CHARACTERS

The following chart lists the characters which are displayable by the 4-line by 20 character vacuum fluorescent display. The ASCII code for each character is indicated by the row (first digit 0-F in hex) and the column (second digit 0-F in hex) in which the character resides. For instance, the character "q" is represented by ASCII code 17H.

2nd 1st	0	1	2	3	4	5	6	7	8	9	A	B	C	D	E	F
0		DP		0	@	P	`	p	Ç	É	á	α	§	À		≤
1		DC	!	1	A	Q	a	q	ü	æ	í	β		È		≥
2		DC	"	2	B	R	b	r	é	Æ	ó	γ		Ù		≠
3	DE		#	3	C	S	c	s	â	ô	ú	Δ	∫	Ë		⊥
4	DI		\$	4	D	T	d	t	ä	ö	ñ	ε				∞
5			%	5	E	U	e	u	à	ò	Ñ	η		Â		≈
6			&	6	F	V	f	v	å	û		θ	²	Ê		≡
7			'	7	G	W	g	w	ç	ù		λ	³	Î		⊕
8	BS		(8	H	X	h	x	ê	ÿ	ı	μ		Ô		θ
9	HT)	9	I	Y	i	y	ë	Ö		Π	√	Û		←
A	LF		*	:	J	Z	j	z	è	Ü	¬	ρ	±			→
B			+	;	K	[k	{	ï	ø	½	σ		Γ		
C			,	<	L	\	l		î	£	¼	τ				
D	CR		-	=	M]	m	}	ì	¥	ı	φ	UF			
E			.	>	N	^	n	~	Ä		«	Ω	UF			
F		RS	/	?	O	_	o		Å	f	»	Σ	UF		°	

Note: Characters with second digit "E" (column E above) are Russian Letters

