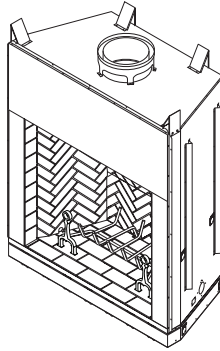




**FMI PRODUCTS, LLC**

**RESIDENTIAL WOOD BURNING FIREPLACE  
OWNER'S OPERATION AND INSTALLATION MANUAL**

**F48H(I)(R)A AND  
VF48H(I)(R)A  
48" WOOD BURNING  
FIREPLACE  
WITH HERRINGBONE  
MASONRY BRICK**



We recommend that our products be installed and serviced by professionals who are certified in the U.S. by NFI (National Fireplace Institute).

[www.nficertified.org](http://www.nficertified.org)

**IF FIREPLACE IS TO BE INSTALLED DIRECTLY ON ANY COMBUSTIBLE MATERIAL, A HEARTH SPACER IS REQUIRED.**

**SAVE THIS BOOK**

This book is valuable. In addition to instructing you on how to install and maintain your appliance, it also contains information that will enable you to obtain replacement parts or accessory items when needed. Keep it with your other important papers.

This fireplace is approved for use as a wood burning fireplace or for use with a vented gas log approved to ANS Z21.60 or Z21.84 standards or for use with a vent-free gas log heater approved to ANS Z21.11.2 standard.

This wood burning fireplace complies with UL127-CAN/ULC-S610-M87 standard as a **FACTORY BUILT APPLIANCE**.

**FOR CANADA:** The authority having jurisdiction (such as the municipal building department, fire department, etc.) should be contacted before installation to determine the need to obtain a permit.

**INSTALLER:** Leave this manual with the appliance.  
**CONSUMER:** Retain this manual for future reference.

For more information, visit [www.fmiproducts.com](http://www.fmiproducts.com)

**⚠ WARNING: Improper installation, adjustment, alteration, service or maintenance can cause injury, property damage or loss of life. Refer to this manual for assistance or additional information. Consult a qualified installer or local distributor.**

## TABLE OF CONTENTS

Safety .....	2	Operation and Maintenance .....	16
Specifications .....	3	Technical Service .....	17
Installation .....	4	Replacement Parts .....	17
Firebrick Wall Installation .....	11	Parts .....	18
Optional Gas Line .....	14	Accessories .....	19
Glass Door Installation .....	18		

## SAFETY

**IMPORTANT: Check local codes before installing this fireplace.**

Before beginning the installation of the fireplace, read these instructions through completely.

- This FMI PRODUCTS, LLC fireplace and its components are safe when installed according to this installation manual. Unless you use FMI PRODUCTS, LLC components, which have been designed and tested for the fireplace system, you may cause a fire hazard.
- The FMI PRODUCTS, LLC warranty will be voided by and FMI PRODUCTS, LLC disclaims any responsibility for the following actions.
  - a. Modification of the fireplace, components, doors, air inlet system and damper control.
  - b. Use of any component part not manufactured or approved by FMI PRODUCTS, LLC in combination with a FMI PRODUCTS, LLC fireplace system.

Proper installation is the most important step in ensuring safe and continuous operation of the fireplace. Consult the local building codes as to the particular requirements concerned with the installation of all factory built fireplaces.

**⚠ WARNING: Do not install a fireplace insert in this box unless the manufacturer's instructions with the insert specifically state this fireplace has been tested for use with this insert.**

**This fireplace is not intended to be used as a substitute for a furnace to heat an entire home. Use for supplemental heat only.**

### FOR YOUR SAFETY

- Do not store or use gasoline or any other flammable vapors or liquids in the vicinity of this or any other appliance.
- Due to high temperatures, the appliance should be located out of traffic and away from furniture and draperies.
- Do not place clothing or other flammable materials on or near the appliance.
- Never leave children unattended when a fire is burning in the fireplace.

**⚠ WARNING: Use solid wood or processed solid fuel fire logs only. When processed wood fuel fire logs are used, do not poke or stir the logs while they are burning. Use only fire logs that have been evaluated for the application in fireplace and refer to fire log warnings and caution markings on packaging prior to use.**

# SAFETY

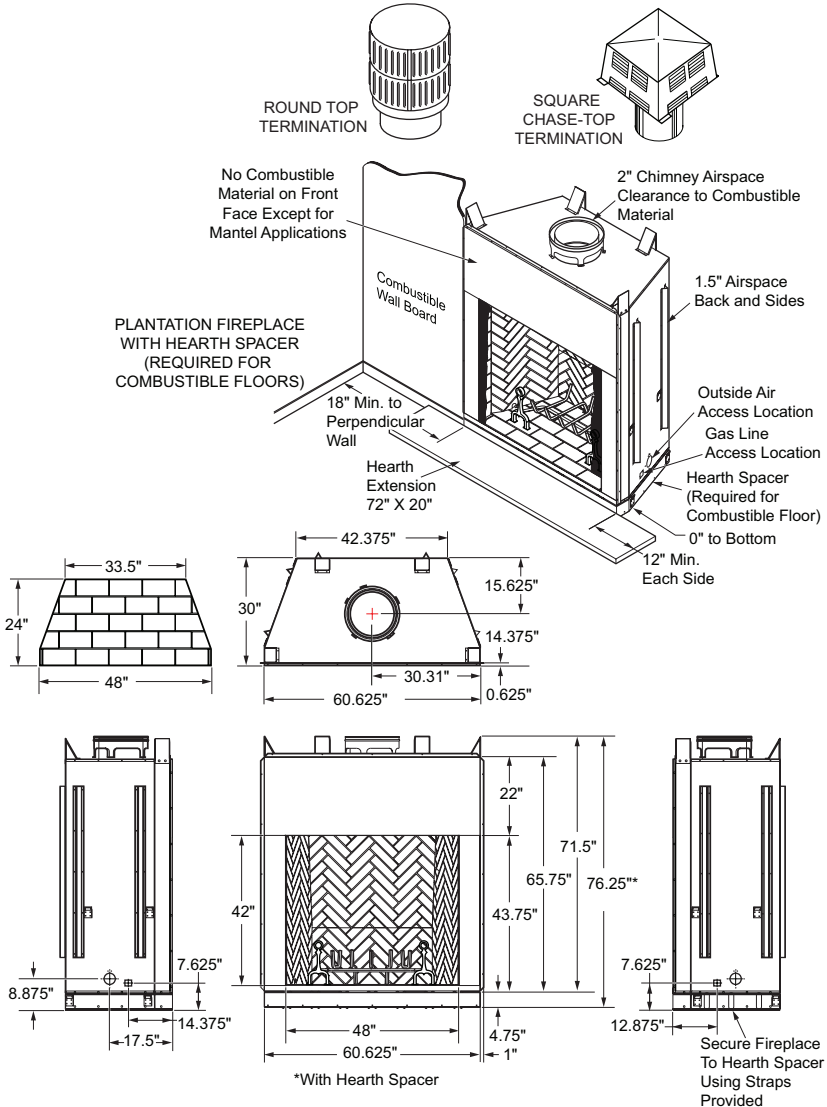
Continued

**WARNING:** Always leave glass doors fully opened or fully closed when operating fireplace.

**WARNING:** If fireplace is to be installed on combustible material, a Hearth Spacer must be used. See *Replacement and Accessory Parts* on page 18.

## SPECIFICATIONS

MODELS F48H(I)(R)A AND VF48H(I)(R)A



# INSTALLATION

## SELECTING FIREPLACE LOCATION

To determine the safest and most efficient location for the fireplace, you must take into consideration the following guidelines:

1. The location must allow for proper clearances (see Figures 1 and 2).
2. Consider a location where the fireplace will not be affected by drafts, air conditioning ducts, windows or doors.
3. A location that avoids the cutting of joists or roof rafters will make installation easier.
4. An outside air kit is available with this fireplace (see *Optional Outside Air Kit* on page 5).

## MINIMUM CLEARANCE TO COMBUSTIBLES

Back and sides of fireplace	1 1/2" min.*
Front of fireplace	48" min.
Floor**	0" min.
Perpendicular wall to opening	18" min.
Top spacers	0" min.
Mantel clearance	see <i>Mantels</i> , page 5
Chimney outer pipe surface	2" min.

\* Not required at nailing flanges

\*\* See step 2 of *Framing*



**WARNING: Do not pack required air spaces with insulation or other materials.**

## Minimum/Maximum Chimney Height

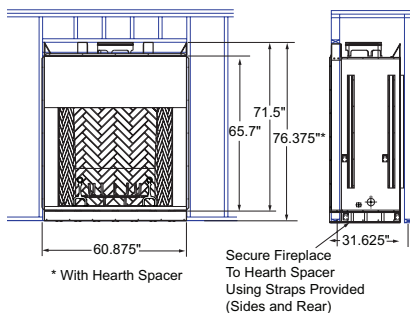
The minimum height of the chimney, measured from the base of the fireplace to the flue gas outlet of the termination, is 16 feet for straight flue or a flue with one elbow set. The maximum distance between elbows is 6 feet. For systems with two elbow sets, the minimum height is 22 feet. The maximum height of any system is 50 feet. This measurement includes the fireplace, chimney sections and the height of the termination assembly at the level of the flue gas outlet (see Figure 15, page 9).

## FRAMING

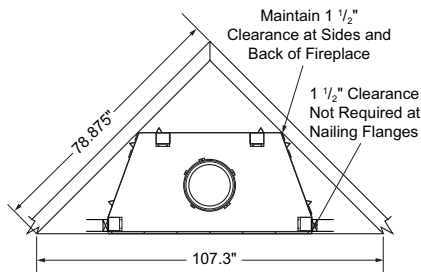
1. Frame the opening for the fireplace using the dimensions shown in Figures 1 and 2.
2. If the fireplace is to be installed directly on carpeting, tile (other than ceramic) or any combustible material including wood flooring, the fireplace must be installed

on a hearth spacer designed for use with this fireplace (see *Replacement and Accessory Parts*, page 18).

3. Set the fireplace directly in front of this opening and slide the unit back until the nailing flanges touch the side framing.
4. Check the level of the fireplace and shim with sheet metal if necessary.
5. Before securing fireplace to prepared framing, the ember protector (provided) must be placed between the hearth extension (not supplied) and under the bottom front edge of the fireplace to protect against glowing embers falling through. If the fireplace is to be installed on a raised platform, a Z-type ember protector (not supplied) must be fabricated to fit your required platform height. The ember protector should extend under the fireplace a minimum of 1 1/2". The ember protector should be made of galvanized sheet metal (28 gauge minimum to prevent corrosion).
6. Using screws or nails, secure the fireplace to the framing through flanges located on the sides of the fireplace.



**Figure 1 - Framing Dimensions**



**Figure 2 - Corner Installation**

# INSTALLATION

Continued

## HEARTH EXTENSION

A hearth extension projecting a minimum of 20" in front of and a minimum of 12" beyond each side of the fireplace opening is required to protect combustible floor construction in front of the fireplace. Fabricate a hearth extension using a material which meets the following specifications: a layer of noncombustible, inorganic material having a thermal conductivity of  $K=0.84$  BTU IN/FT, HR. F (or less) at 1" thick. For example, if the material selected has a K factor of 0.25, such as glass fiber, the following formula would apply:

$$\frac{0.25}{0.84} \times 1.0" = 0.30" \text{ thickness required}$$

Thermal conductivity "K" of materials can be obtained from the manufacturer or supplier of the noncombustible material. If the hearth extension is to be covered, use noncombustible material such as tile, slate, brick, concrete, metal, glass, marble, stone, etc. Provide a means to prevent the hearth extension from shifting and seal gap between the fireplace frame and hearth extension with a noncombustible material (see Figure 3).

**WARNING: Hearth extension is to be installed only as shown in Figure 3.**

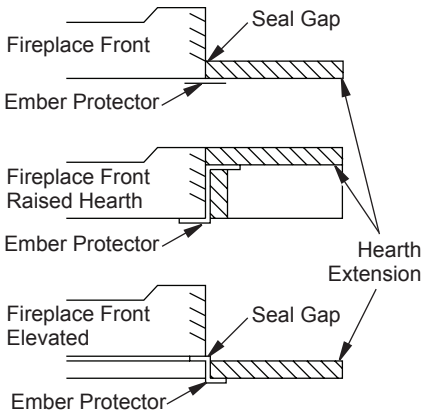


Figure 3 - Hearth Extension

## MANTELS

A mantel may be installed if desired (see Figure 4). Woodwork such as wood trims, mantels or any other combustible material projecting from the front face must not be placed within 12" of the fireplace opening. Combustible materials above 12" and projecting more than 1 1/2" from the fireplace must not be placed less than 15" from the top opening of the fireplace (NFPA STD 211, Sec. 7-3.3.3).

Mantels or any other combustible material also may come up to the side edge of the black metal face of the fireplace just as long as the projection from the front face fall within the limit shown in Figure 4.

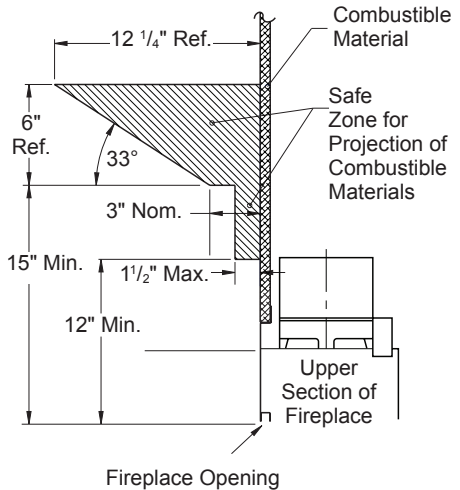


Figure 4 - Mantel Clearances to Combustible Material

## OPTIONAL OUTSIDE AIR KIT (MODEL AK4/AK4F)

Installation of an outside air kit should be performed during rough framing of fireplace due to nature of its location. Outside combustion air is accessed through a vented crawl space (AK4F) or through a sidewall (AK4). This fireplace is equipped with a barometric damper which allow outside air to flow into fireplace automatically when needed.

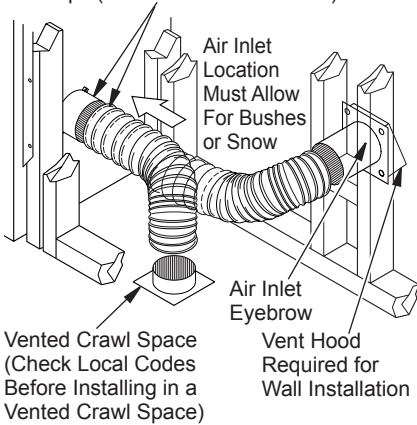
# INSTALLATION

*Continued*

**CAUTION:** Combustion air inlet ducts shall not terminate in attic space.

The maximum height for the air vent can not exceed 3 feet below the flue gas outlet of the termination.

Secure to Collars with Metal Tape, Screws or Straps (Min. of 1/4" x 20" in size)



**Figure 5 - Outside Air Kit**

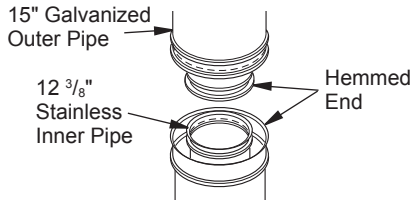
## CHIMNEY PIPE

FMI PRODUCTS, LLC chimney system consists of 12", 18", 24", 36" and 48" snap-lock, double-wall pipe segments, planned for maximum adaptability to individual site requirements. Actual lengths gained after fitting overlaps must be taken into consideration (lineal gain) and are given in lineal gain chart (see Figure 6). Lineal gain is the actual measurable length of a part after two or more parts are connected. For Canada, use chimney parts designated "HT".

**WARNING:** The opening in the collar around the chimney at the top of the fireplace must not be obstructed. Never use blown insulation to fill the chimney enclosure.

LINEAL GAIN		
PART NO.	DESCRIPTION	GAIN (IN)
48" Plantation	Fireplace	66 1/2"
12-12DM 12-12HT	Pipe Section	10 5/8"
18-12DM 18-12HT	Pipe Section	16 5/8"
24-12DM 24-12HT	Pipe Section	23 5/8"
36-12DM 36-12HT	Pipe Section	34 5/8"
48-12DM 48-12HT	Pipe Section	46 5/8"
RLT-12D RLT-12HT	Round Termination	7 3/4"*
STL-12D	Square Chase-Top with Slip Section	7" to 15"**

\* The lineal gain for the terminations is measured to the flue gas outlet height.



**Figure 6 - Lineal Gain**

## ASSEMBLY AND INSTALLATION OF DOUBLE WALL CHIMNEY SYSTEM

Each double wall chimney section consists of a galvanized outer pipe, a stainless steel inner flue pipe and a wire spacer. Pipe sections must be assembled independently as chimney is installed. When connecting chimney directly to fireplace, inner flue pipe section must be installed first with lanced side up. Outer pipe section can then be installed over flue pipe section with hemmed end up. Press down on each pipe section until lances securely engage hem on fireplace starter. Wire will assure proper spacing between inner and outer pipe sections.

Continue to assemble chimney sections as outlined above, making sure both inner and outer pipe sections are locked together. When installing double wall snap-lock chimney together, it is important to assure joint between chimney sections is locked. Check by pulling chimney upward after locking. Chimney will not come apart if properly locked. It is not necessary to add screws to keep chimney together (exception, see Figure 9, page 8).

# INSTALLATION

*Continued*

## USING ELBOW OFFSETS (30E-12DM)

- To achieve desired offset, you may install combinations of 12", 18", 24", 36" and 48" length of double wall pipe (see offset chart and Figure 7).

OFFSET	RISE	CHIMNEY LENGTH				
		12"	18"	24"	36"	48"
4 3/8"	16 3/8"	ELBOW SET ONLY				
9 3/4"	25 1/2"	1				
12 3/4"	30 3/4"		1			
15"	34 3/4"			1		
18"	40"	1	1			
21 1/4"	46 1/4"				1	
23 3/4"	49 1/4"		1	1		
27 3/4"	56 3/4"					1
30"	60 3/4"	1	1		1	
33"	66"					1
36"	71"	1				1
38 1/4"	75"				2	
41 1/4"	80 1/4"	1	1		1	
45"	86 3/4"				2	
46 3/4"	89 1/2"	1	1			1
51"	97"				1	1
53 1/4"	101"				2	
56 1/4"	106 1/4"					2
59 1/4"	111 1/2"		1		1	1
61 3/4"	115 1/2"	1				2
64 3/4"	120 3/4"		1			2
68 1/4"	127"				2	1
70"	130"	1	1			2
74 1/4"	137 1/2"	1			2	1
76 3/4"	141 1/2"		1		2	1
79 3/4"	146 3/4"				4	

## OFFSET CHART (22-50 FT. SYSTEM HEIGHT)

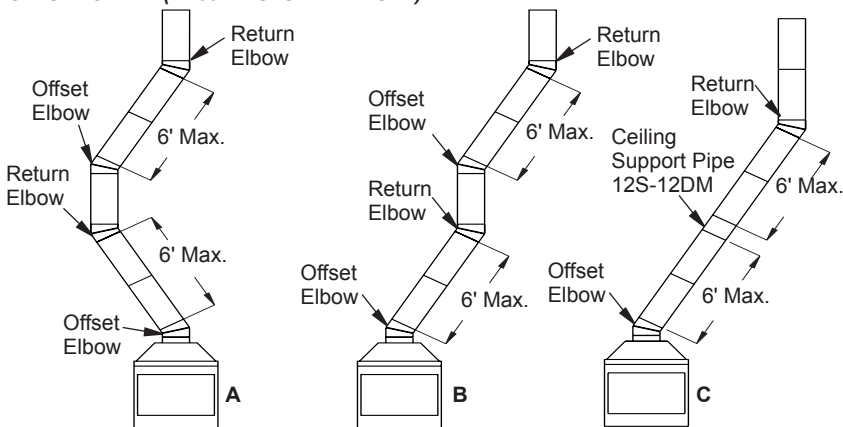


Figure 7 - Typical Offset Terminations

- Chimney weight above offset rests on return elbow. Straps must be securely nailed to rafters or joists (see Figure 8, details A and B).
- Maximum length of pipe between supports (return elbow or 12S-12DM) is 6' of angle run. Maximum of two 6' angle run sections per chimney system (see Figure 7).
- All pipe connections between the offset and return must be secured with two screws on the outer pipe only (see Figure 9, page 8). Do not penetrate the inner stainless.

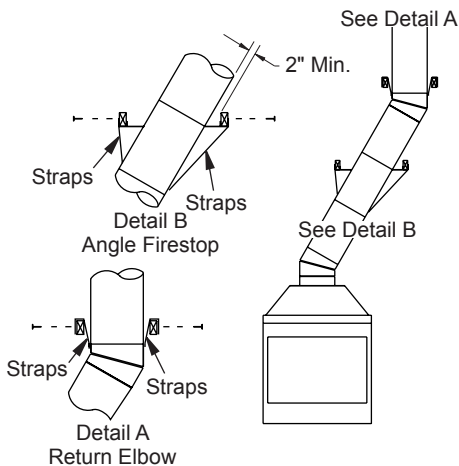
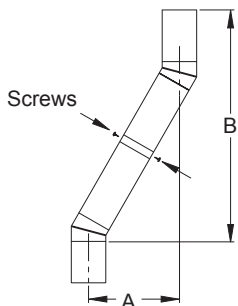


Figure 8 - Ceiling Support Pipe 12S-12DM

# INSTALLATION

*Continued*

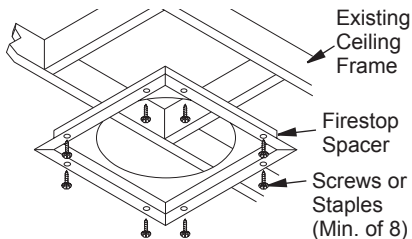


**Figure 9 - Elbow Offset**

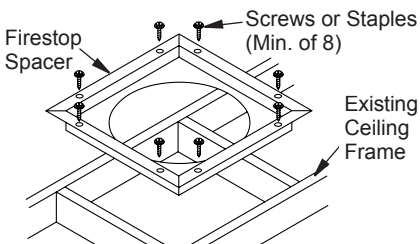
## FIRESTOP SPACERS (FS-10)

Firestop spacers are required at each point where chimney penetrates a floor space. Their purpose is to establish and maintain required clearance between chimney and combustible materials. When pipe passes through a framed opening into a living space above, firestop must be placed onto ceiling from below as shown in Figure 10.

They also provide complete separation from one floor space to another or attic space as required by most codes. When the double wall pipe passes through a framed opening into an attic space, the firestop must be placed into an attic floor as shown in Figure 11.



**Figure 10 - Firestop Spacer with Living Space Above Ceiling**

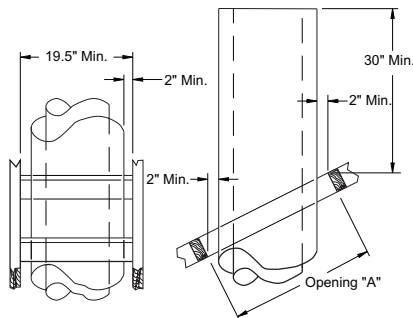


**Figure 11 - Firestop Spacer with Attic Space Above Ceiling**

## PENETRATING ROOF

To maintain a 2" clearance to pipe on roof with a pitch, a rectangular opening must be cut.

1. Determine center point through which pipe will penetrate roof.
2. Determine center point of roof. Pitch is the distance the roof drops over a given span, usually 12".
3. Use roof opening chart (Figure 12) to determine correct opening length and flashing required.
4. Remove shingles around opening measured. Cut out this section.
5. Add next sections of pipe until end penetrates roof line. Check to see that proper clearances are maintained. Extend chimney by adding sections of double wall pipe until pipe is minimum of 30" above highest point of roof cutout. Termination and chimney must extend a minimum of 36" above highest point where it passes through roof.



Pitch	Slope	Opening "A" Max.	Used Flashing Model No.
Flat	0°	19.5"	V6F-10DM
0-6/12	26.6°	22"	V6F-10DM
6/12-12/12	45.0°	27"	V12F-10DM

**Figure 12 - Roof Opening Measurements**

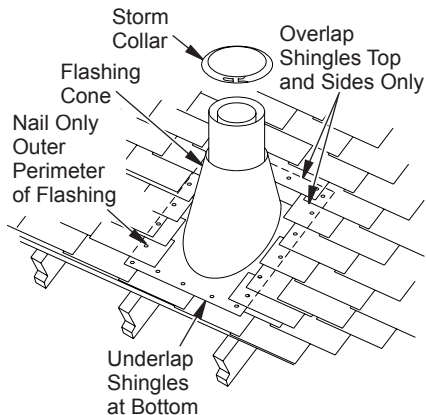


# INSTALLATION

*Continued*

## FLASHING INSTALLATION (V6F-10DM OR V12F-10DM)

Determine flashing to be used with roof opening chart. Slide flashing over pipe until base is flat against roof. Replace as many shingles as needed to cover exposed area and flashing base. Secure in position by nailing through shingles (see Figure 13). DO NOT NAIL THROUGH FLASHING CONE.



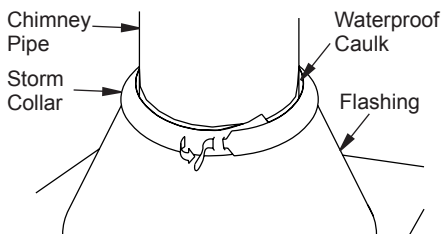
**Figure 13 - Flashing Installation**

### Installing Flashing on a Metal Roof

When installing the flashing on a metal roof, it is required that putty tape be used between the flashing and the roof. The flashing must be secured to the roof using #8 x 3/4" screws and then sealed with roof coating to prevent leakage through the screw holes. A roof coating must also be applied around the perimeter of the flashing to provide a proper seal.

### Storm Collar Installation (SC2-1)

Place storm collar over pipe and slide down until it is snug against open edge of flashing (see Figure 14). Apply waterproof caulk around perimeter of collar to provide a proper seal.

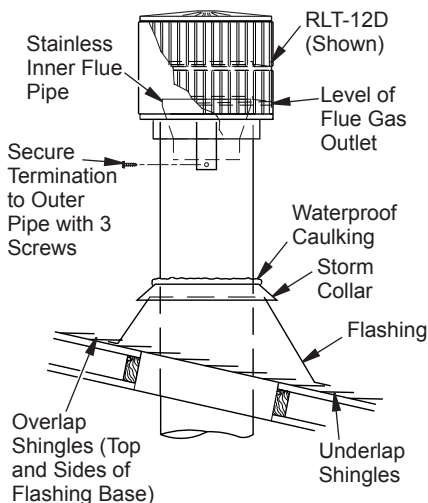


**Figure 14 - Storm Collar**

### Terminations/Spark Arrestor

Fireplace system must be terminated with listed round top or chase terminations. In any case, refer to installation instructions supplied with termination.

**CAUTION: Do not seal openings on the rooftop flashing. Follow installation instructions provided with termination being used.**



**Figure 15 - Termination**

## CHASE INSTALLATIONS

Instructions for chase installations are included with the chase style termination chosen. In a multiple chase installation, be sure to provide adequate distance between terminations to prevent smoke spillage from one termination to another. Terminations must be separated a minimum of 24" center to center and stacked at a minimum vertical height difference of 18" (see Figure 16, page 10).

*Note: If a decorative shroud is to be installed, contact the manufacturer for specifications.*

## INSTALLATION

Continued

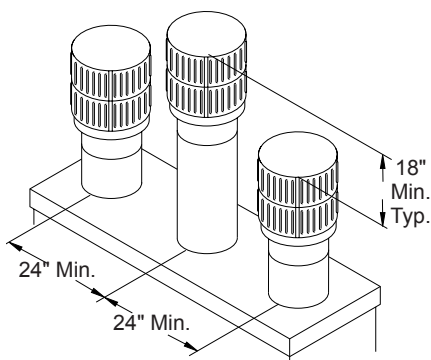


Figure 16 - Multiple Chase Installation

### 10 FOOT RULE

All flue gas outlet chimney terminations must extend a minimum of 3 feet in height above highest point where it passes through the roof and must be at least 2 feet above highest point of the roof that is within a horizontal distance of 10 feet (see Figure 17).

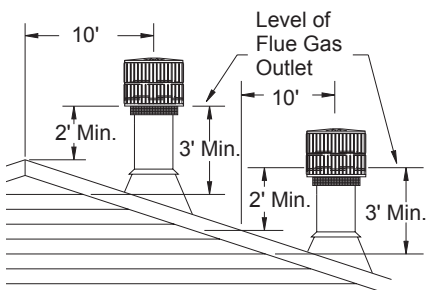


Figure 17 - 10 Foot Rule

### FINISHING FIREPLACE

Combustible materials, such as wallboard, gypsum board, sheet rock, drywall, plywood, etc. may make direct contact with sides and top around the fireplace face. It is important that combustible materials do not overlap face itself. Brick, glass, tile or other noncombustible materials may overlap front face provided they do not obstruct essential openings like louvered slots or any other opening. When overlapping with a noncombustible facing material, use only noncombustible mortar or adhesive.

**⚠ CAUTION:** All gas piping and connections must be tested for leaks after the installation is completed. After ensuring that the gas valve is on, apply soap and water solution to all connections and joints. Bubbles forming show a leak. Correct all leaks at once. **DO NOT USE AN OPEN FLAME FOR LEAK TESTING AND DO NOT OPERATE ANY APPLIANCE IF A LEAK IS DETECTED. LEAK TESTING SHOULD BE DONE BY A QUALIFIED SERVICE PERSON.**

**⚠ WARNING:** Do not operate an unvented gas log set in this fireplace with the chimney removed.

If you install a decorative gas appliance (vented gas log), the decorative gas appliance must comply with the *Standard for Decorative Gas Appliance for Installation in Solid Fuel Burning Fireplaces, ANS Z21.60 or Z21.84* and shall also be installed in accordance with the *National Fuel Gas Code, ANSI Z223.1/ NFPA 54 latest edition.*

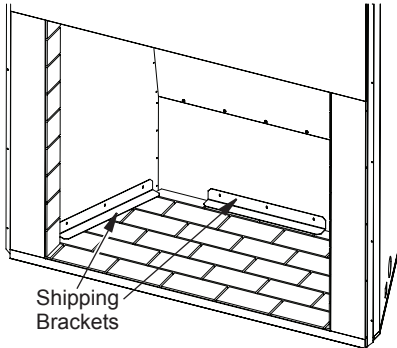
**⚠ WARNING:** If fireplace has been used for wood burning, firebox and chimney must be cleaned of soot, creosote and ashes by a qualified chimney cleaner. Creosote will ignite if heavily heated.

**⚠ WARNING:** When using a decorative vented gas log, damper must be removed or permanently locked in the fully open position and glass doors must be in fully open position.

# FIREBRICK WALL INSTALLATION

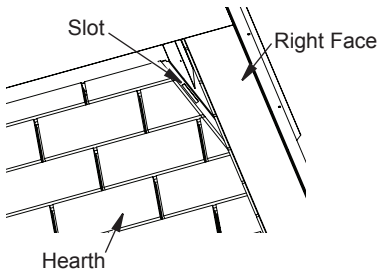
**IMPORTANT: Installation of brick should be done after the fireplace is placed in a permanent location.**

1. The fireplace is shipped with the hearth preinstalled. It is held in place for shipping with 3 shipping brackets (Figure 19). Remove these brackets before installing any of the other firebrick walls.



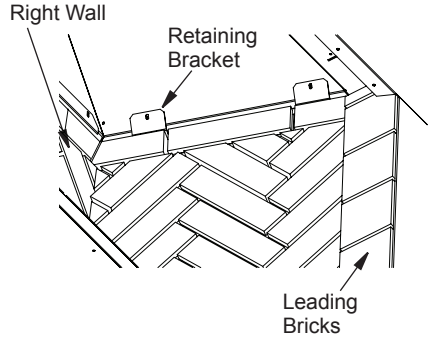
**Figure 19 - Removing Shipping Brackets**

2. Install the left and right firebrick walls. There is a bracket with 2 tabs on the bottom of each firebrick wall. Angle the wall into the fireplace opening and into the slots on the side of the hearth (Figure 20), then tilt the top of the panel toward the firebox surround.



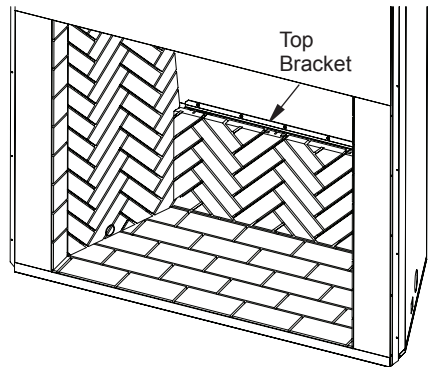
**Figure 20 - Slots for Firebrick Walls**

3. Secure the firebrick wall using two of the side retaining brackets provided. The bracket will slip underneath the metal lip on the top of the wall and screw into the inner dome of the fireplace (Figure 21).



**Figure 21 - Installing Side Walls**

4. Install the bottom rear firebrick wall. Place the wall face side down on the hearth with the bottom of the wall toward the rear of the firebox and the top toward the front of the fireplace. Tilt the wall up toward the back of the firebox. Secure bracket at top of the firebrick wall to the rear firebox surround (Figure 22).

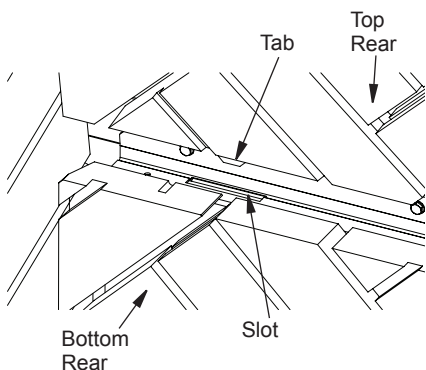


**Figure 22 - Installing Bottom Rear Wall**

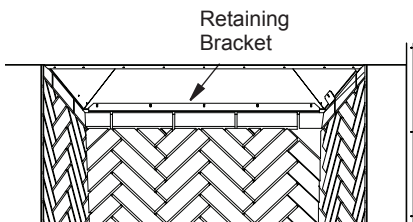
# FIREBRICK WALL INSTALLATION

*Continued*

5. Install the rear top firebrick wall. Lift the panel up with the front of the firebrick wall facing toward the front of the fireplace. The bottom of the panel has two tabs that slide into the bracket on the top of the bottom rear panel (Figure 23). Secure the top of the firebrick wall with the rear retaining bracket provided. The bracket will slip underneath the metal lip on the top of the firebrick wall and screw into the inner dome of the fireplace (Figure 24).



**Figure 23 - Installing Top Rear Wall**



**Figure 24 - Installing Top Rear Wall**

6. It is recommended that the joints between all firebrick walls be grouted for a more finished look. For grouting instructions.

For more information and to watch a how to video go to [www.fmiproducts.com](http://www.fmiproducts.com) and select Technical Support.

## GROUTING INSTRUCTIONS

Material provided:

Bag of cement

Bag of sand

Material required:

Piping bag

Joints striker

Heavy duty mixing bucket

Sponge or Wet Cloth

1. Moisten brick surface with damp sponge or spray bottle just prior to application. When bricks are wet, any excess grout mixture on bricks will easily wipe off.
2. In a heavy duty mixing bucket, add equal parts cement and sand. Add enough water and mix together well using a power drill with mixing wand attachment to a yogurt like consistency. Not adding enough water can lead to grout falling out after burning.
3. The overall length of piping bag should be about 16". If the bag is longer than 16", cut it down to size by removing end with larger opening. This will make the bag easier to handle.
4. Put grout mixture into piping bag making sure the smaller opening is downward and over a moist towel to avoid spilling. Place a wet towel over the bucket making sure it is directly on the surface of grout mixture. This will keep the mixture moist and it will not dry out before use.
5. Grout all joints where two firebrick walls come together.
6. Using a trowel, remove excess grout mixture by moving trowel in the direction of the joint. Grout mixture in the joint should now be flush with brick surface. If not enough grout is applied into each space, grout may fall out after burning.
7. Using a joint striker, smooth out grout line.

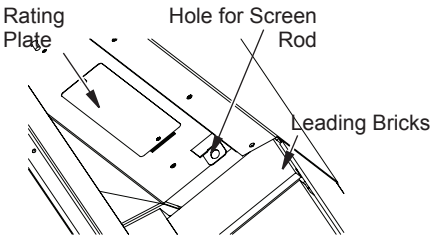
**Allow 72 hours before  
operating fireplace.**

# INSTALLATION

*Continued*

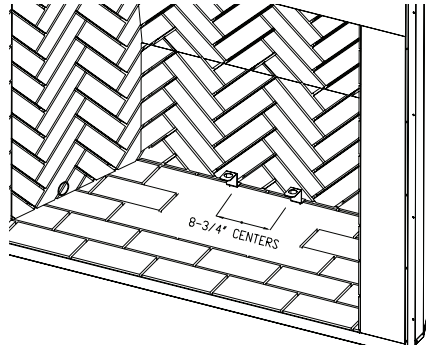
## INSTALLING SCREEN

1. Slide round end of screen rod into rings at top of screen. Attach one push-on nut to end of rod before attaching last ring of screen.
2. Insert the round end screen rod into hole on the left and right side of smoke shelf (Figure 25).
3. Mount flat end of screen rod with #10 x 5/8" to center of smoke shelf.
4. Install other screen rod in same manner.



**Figure 25 - Installing Fireplace Screen**

**⚠ WARNING: Risk of fire! Replace grate with FMI PRODUCTS, LLC grate only (see Parts, page 23). This grate has been designed to keep the operation of your fireplace safe and efficient.**



**Figure 26 - Installing Grate Retainers**

## INSTALLING GRATE RETAINERS

1. Place the provided grate retainers on the hearth as shown in Figure 26. The back of the retainer will be flush with the rear firebrick wall. Mark the center of the hole on the hearth with a marker.
2. Drill two holes in the hearth in the marked locations using a masonry 3/16" drill bit.
3. Secure grate retainer with masonry screws provided.

## OPTIONAL GAS LINE INSTALLATION

Gas line hook up should be done by your supplier or a qualified service person.

*Note: Before you proceed, make sure your gas supply is turned off.*

Use only a 1/2" black iron pipe and appropriate fittings.

1. Remove knockout indentation on refractory or firebrick wall located above refractory hearth floor. Knockout indentation must be firmly tapped with any solid object such as a 1/2" dowel until it is released. Remove fragmented portions of refractory (see Figure 27).
2. Remove gas line cover plate located on either side of fireplace and pull out insulation from gas line conduit sleeve. Save insulation for reuse. Replace screws.
3. Run a 1/2" black iron gas line into fireplace through the rear at gas line conduit sleeve (if using a raised platform, add height). Provide sufficient gas line into fireplace chamber for fitting connection (see Figure 28).

*Note: Secure incoming gas line to wood framing to provide rigidity for threaded end.*

4. Repack insulation around gas line and into sleeve opening. Seal any gaps between gas line and refractory knockout hole with refractory cement or commercial furnace cement. Install the gas appliance or cap-off gas line if desired.

**CAUTION:** All gas piping and connections must be tested for leaks after the installation is completed. After ensuring that the gas valve is on, apply soap and water solution to all connections and joints. Bubbles forming show a leak. Correct all leaks at once. **DO NOT USE AN OPEN FLAME FOR LEAK TESTING AND DO NOT OPERATE ANY APPLIANCE IF A LEAK IS DETECTED. LEAK TESTING SHOULD BE DONE BY A QUALIFIED SERVICE PERSON.**

**WARNING:** Do not operate an unvented gas log set in this fireplace with the chimney removed.

If you install a decorative gas appliance (vented gas log), the decorative gas appliance must comply with the *Standard for Decorative Gas Appliance for Installation in Solid Fuel Burning Fireplaces, ANS Z21.60 or Z21.84* and shall also be installed in accordance with the *National Fuel Gas Code, ANSI Z223NFPA 54 latest edition.*

**WARNING:** If the fireplace has been used for wood burning, the firebox and chimney must be cleaned of soot, creosote and ashes by a qualified chimney cleaner. Creosote will ignite if heavily heated.

**WARNING:** When using a decorative vented gas log, the damper must be removed or permanently locked in the fully open position and the glass doors must be in the fully open position.

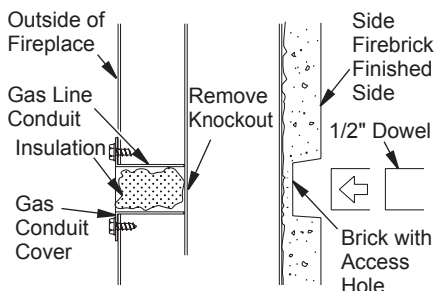


Figure 27 - Gas Line Access

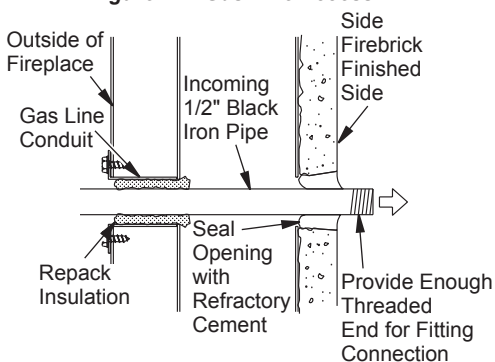


Figure 28 - Gas Line Installation

# GLASS DOOR INSTALLATION

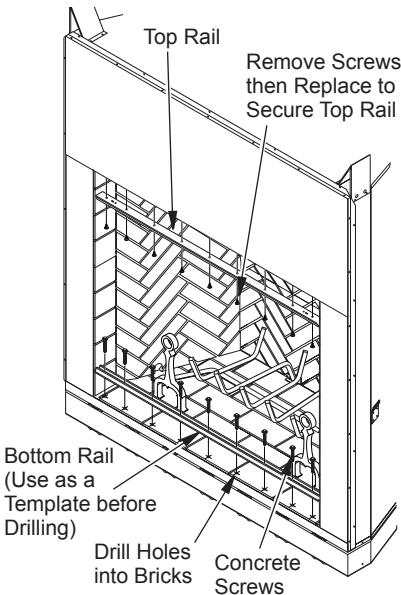
**IMPORTANT: Install top and bottom rails and hardware before installing glass door panels.**

## Rail Installation

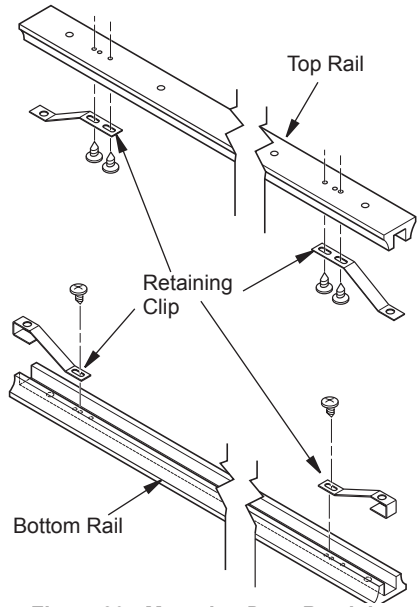
1. Remove screws securing top face to firebox (see Figure 29).
2. Align holes on rail to be installed at top and replace screws. *Note: Door rails are identical until spring clips are in place.*
3. Using remaining door rail as a template, place along front row of bricks at bottom making sure rail front surface is flush with fireplace bottom face surface. Mark hole centers and remove rail (see Figure 29).
4. Drill 9 - 5/32" diameter holes about 1" deep directly into bricks using a 5/32" concrete drill bit (not provided).
5. Place rail back on bricks and align holes. Secure using 9 concrete screws provided with glass door kit.
6. Secure retaining clips to top and bottom rails (see Figure 30).

## Installing Glass Doors

After spring clips have been installed some adjustments may be needed. Install the doors using the following steps:



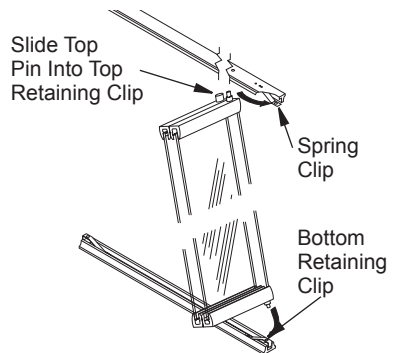
**Figure 29 - Securing Door Rails to Fireplace**



**Figure 30 - Mounting Door Retaining Clips**

1. With bi-fold doors completely folded, insert bottom pivot pin into bottom retaining clip located at far left and far right side of bottom rail. Swing door to vertical position making sure top pins slide into top door rail. Door is installed when top door pin snaps into spring clip (see Figure 31).
2. Repeat step 1 for remaining door.

If you find the doors do not close properly or do not appear level or straight, proceed with section on door adjustment.



**Figure 31 - Installing Doors**

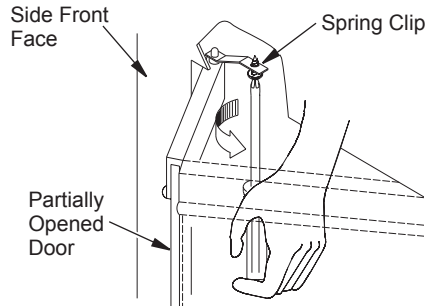


# GLASS DOOR INSTALLATION

*Continued*

## DOOR ADJUSTMENT

Remove doors and slightly loosen upper spring clips. Replace and fully close doors. Use 1/8" shims (any material) to level doors. Once proper setting is achieved, carefully open doors enough to access top retaining clips with a phillips screwdriver. Tighten screws. See Figure 32.



**Figure 32 - Adjusting Bi-Fold Doors**

## OPERATION AND MAINTENANCE

### GLASS DOORS

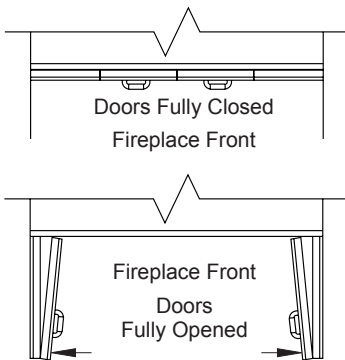
Glass doors are optional with fireplace. When fireplace is in operation, doors must be fully opened or fully closed position only or a fire hazard may be created (see Figure 33).

A fireplace equipped with glass doors operates much differently than a fireplace with an open front. A fireplace with glass doors has a limited amount of air for combustion.

Excessive heat within the fireplace can result if too large a fire is built or if combustion air gate is not completely open. The following tips should be followed to assure that both the fireplace and glass door retain their beauty and function properly. Both the flue damper and glass doors must be fully opened before starting fire. This will provide sufficient combustion air and maintain safe temperatures in firebox.

**IMPORTANT:** The glass must be allowed to warm slowly and evenly. Such materials as pitch/wax laden logs, very dry mill end lumber and large amounts of paper or cardboard boxes can create an excessively hot fire and should not be burned in this fireplace. Always keep the fire well back from the doors and never allow flames to contact the glass.

**⚠ WARNING: Fireplaces equipped with glass doors should be operated only with doors fully opened or doors fully closed. Doors, if left partly open, may draw gas and flame out of the fireplace opening creating risks of both fire and smoke.**



**Figure 33 - Bi-Fold Glass Doors**

### Cleaning Glass

Clean glass with any commercial glass cleaner or soap and water. Do not use any abrasive material to clean glass. Do not clean glass with any cool water if glass is still hot from the fire and smoke.

A gas line or gas log lighter may be installed for the purpose of installing a vented or vent-free decorative gas appliance incorporating an automatic shutoff device and complying with the *Standard for Decorative Gas Appliances for Installation in Vented Fireplaces, ANSI Z21.60* or *American Gas Association draft requirements for Gas Fired Log Lighters for Wood Burning Fireplaces, Draft NO. 4* dated August, 1993.



## OPERATION AND MAINTENANCE

*Continued*

If you wish to install an unvented (vent-free) gas log set, only unvented gas log sets which have been found to comply with the standard for unvented room heaters, ANSI Z21.11.2 are to be installed in this fireplace.

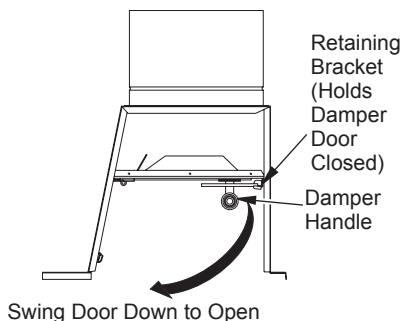
### DAMPER HANDLE OPERATION

The damper handle opens and closes the damper blade and is located in the upper rear side of fireplace just above rear bricks. Rotate handle counterclockwise slightly to disengage from retaining bracket. Swing slowly toward opening of fireplace. Engage handle to secondary bracket located at front of fireplace inner wall (see Figure 34).

**CAUTION:** When operating damper door, please be aware of sharp edges and corners. Open and close damper door slowly to avoid injury.

**WARNING:** Risk of fire! Replace grate with FMI PRODUCTS, LLC model 109496-01 grate only. This grate has been designed to keep the operation of your fireplace safe and efficient.

### FULLY CLOSED POSITION



### FULLY OPEN POSITION

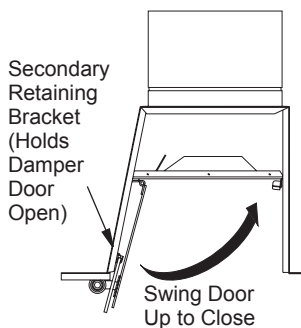


Figure 34 - Operating Damper Handle

## TECHNICAL SERVICE

You may have further questions about installation, operation, or troubleshooting. If so, contact FMI PRODUCTS, LLC at 1-866-328-4537. When calling please have your model and serial numbers of your heater ready.

You can also visit our web site at [www.fmiproducts.com](http://www.fmiproducts.com).

## REPLACEMENT PARTS

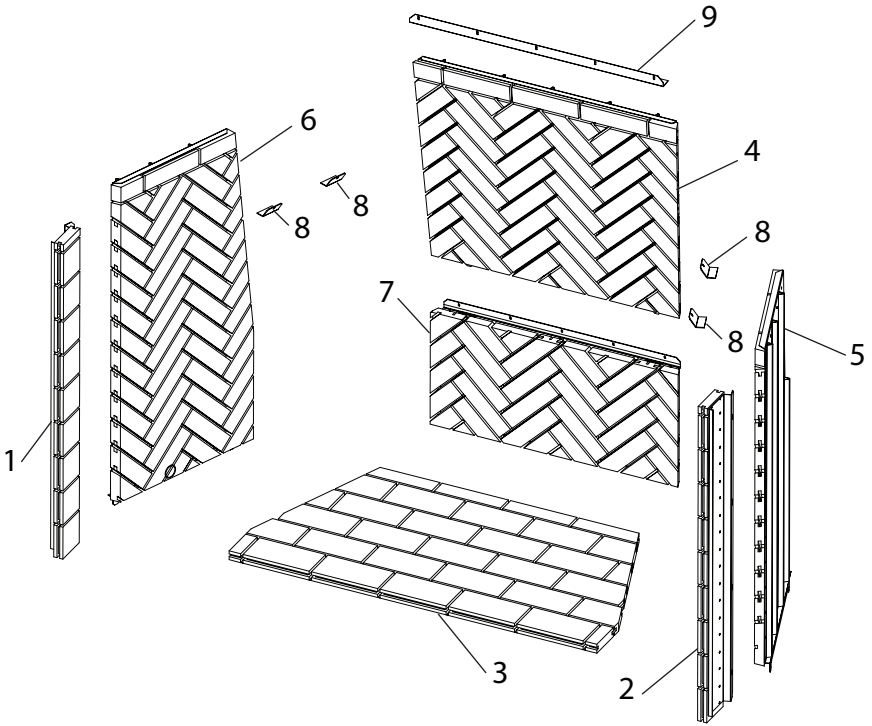
If this product is missing a part or has a broken component, please do not return it to the store. Call FMI PRODUCTS, LLC at 1-866-328-4537 to answer questions and replace parts under warranty.

*Note: Use only original replacement parts. This will protect your warranty coverage for parts replaced under warranty.*

When calling or writing, please have your model and serial numbers of your fireplace ready.

Model and serial number information are in the fireplace's rating plate located on the fireplace smoke shelf.

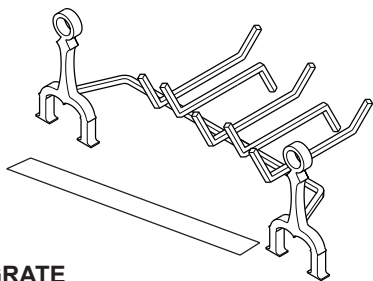
# PARTS



KEY NO.	PART NO.	DESCRIPTION	QTY.	
			(VJF-48HRA)	(VJF-48HIA)
1	124652-01	Left Leading Brick Red	•	1
	124652-03	Left Leading Brick Ivory	•	1
2	124652-02	Right Leading Brick 36" Red	•	1
	124652-04	Right Leading Brick 42"/50" Red	•	1
3	125634-01	Hearth Red	•	1
	125634-02	Hearth Ivory	•	1
4	124646-01	Rear Top Red	•	1
	124646-02	Rear Top Ivory	•	1
5	124648-01	Right Red	•	1
	124648-02	Right Ivory	•	1
6	124650-01	Left Red	•	1
	124650-02	Left Ivory	•	1
7	124644-01	Rear Bottom Red		
	124644-02	Rear Bottom Ivory		
8	124134-07	Side Retaining Brackets		4
9	125553-01	Rear Retaining Brackets		1

## PARTS

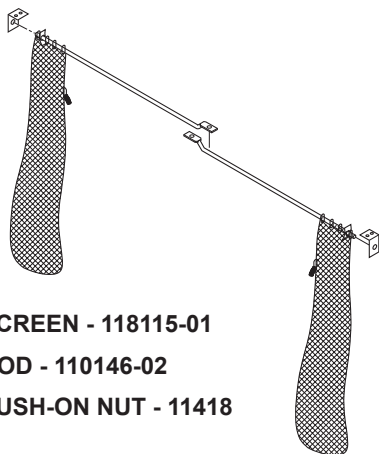
*Continued*



### GRATE

109496-01 (for F48 Series)

EMBER PROTECTOR - 20093

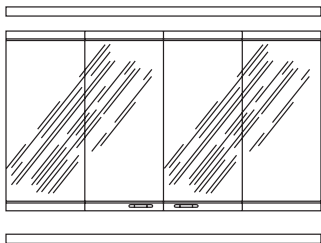


SCREEN - 118115-01

ROD - 110146-02

PUSH-ON NUT - 11418

## ACCESSORIES

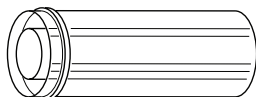


### BI-FOLD GLASS MASONRY DOOR

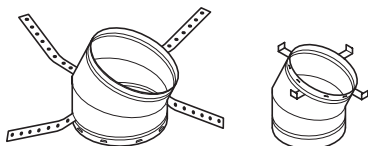
BDMO48E - 48" Ebony

BDMO48G - 48" Pewter

BDMO48C - 48" Oiled Bronze



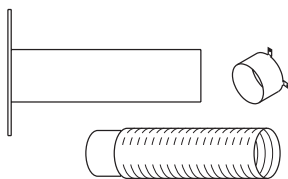
DOUBLE WALL PIPE - 12-12DM,  
18-12DM, 24-12DM, 36-12DM, 48-12DM,  
12-12HT, 18-12HT, 24-12HT, 36-12HT and  
48-12HT



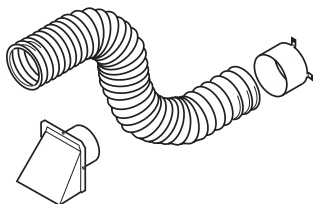
### 30° OFFSET AND RETURN

30E-12DM and 30E-12HT

124386-01A



OPTIONAL OUTSIDE AIR KIT FOR  
FLOOR INSTALLATION - AK4F



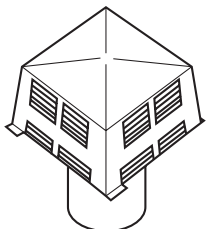
OPTIONAL OUTSIDE AIR KIT FOR  
SIDEWALL INSTALLATION - AK4



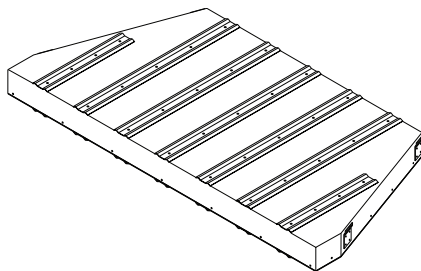
STORM COLLAR - SC2-1

## ACCESSORIES

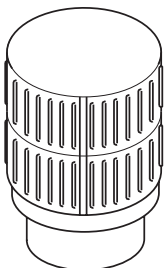
*Continued*



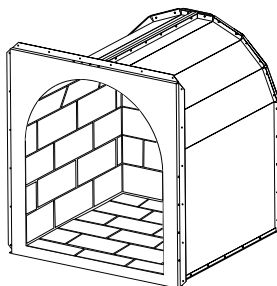
**SQUARE CHASE-TOP  
TERMINATION - STL-12D**



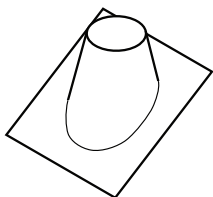
**OPTIONAL HEARTH SPACER  
HS48**



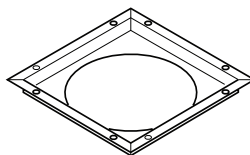
**ROUND TOP TERMINATIONS  
RLT-12D AND RLT-12HT**



**24" ROUND WOODNOOK - DHR-24**



**ROOF FLASHING**  
V6F-10DM - 0 to 6/12 Pitch  
V12F-10DM - 6/12 to 12/12 Pitch



**FIRESTOP SPACER - FS-10**



**FMI PRODUCTS, LLC**  
2701 S. Harbor Blvd.  
Santa Ana, CA 92704  
1-866-328-4537  
[www.fmiproducts.com](http://www.fmiproducts.com)

124386-01  
Rev. A  
10/10