



BLUEDRY



BLUEDRY USER MANUAL
Model HD-BD1004



PLEASE READ CAREFULLY THROUGH THIS MANUAL BEFORE USING THE PRODUCT, OBSERVING ALL SAFETY INFORMATION, WARNINGS.

1. WARNING

- This product is intended for installation by a qualified service person.
- Disconnect power at the service breaker before installing or servicing.
- Failure to properly ground unit could result in severe electrical shock.
- All units must be supplied with a 3-wire connection. The ground wire must be connected to the dryer's backplate.

2. NOTE

Do not install dryer over washbasin. If the power supply cord is damaged, it must be replaced by the manufacturer or its service agent or a similar qualified person in order to avoid a hazard. Means for disconnection must be incorporated in the fixed wiring in accordance with the current wiring regulations.

3. SPECIFICATION

Voltage:

220V-240V 50/60Hz, 10A, 2300W

110V-120V, 60Hz, 20A, 2300W

Air Temperature: 50°C (D=10CM, Room Temp.=25°C)

Air Velocity : 26M/S

Air Flow: 270M³/H

Drying Time: 15-20S

Sensor Range: 5-15CM

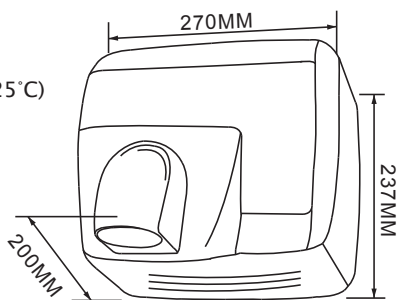
Protection Level: IPX1

Electric Isolation: CLASS 1

Brush Motor: 6500R/M

Noise(at 2M): 70dB

Cabinet Material: Stainless Steel 304



4. INSTALLATION

1. Installation must be carried out in accordance with the current edition of the local wiring regulations code having jurisdiction. Installation should be performed only by a qualified electrician.
2. Place template against wall at desired height(see mounting height recommendations) and mark locations of 4 mounting holes Dia. 8mm(5/16”).
3. Remove and retain 2 side security hex cover screws and cover. Then mount the hand dryer base on the wall.
4. Replace cover. Do not over-tighten screws.
5. Connect the hand dryer plug to the power supply.
 - A. Connect the live wire (Coloured Brown or Red) to the terminal block marked “L”.
 - B. Connect the neutral wire(Coloured Black or Blue) to the terminal block marked “N”.
 - C. Connect the ground wire(Coloured Green or Yellow) to the terminal block marked “E”.

5. OPERATION

- No-touch operation.
- There is blue LED light to guide user to the airflow
- Shake excess water from hands.
- Place hands under the outlet to start operation.
- Rub hands lightly and rapidly.
- Stops automatically after hands are removed.

6. MAINTENANCE

- Periodic cleaning of the unit is recommended.
- Remove cover and clean dryer dust lint.
- Wipe the cover with a damp cloth and mild cleaning solution. Do not soak.
- Never use abrasives to clean the cover.

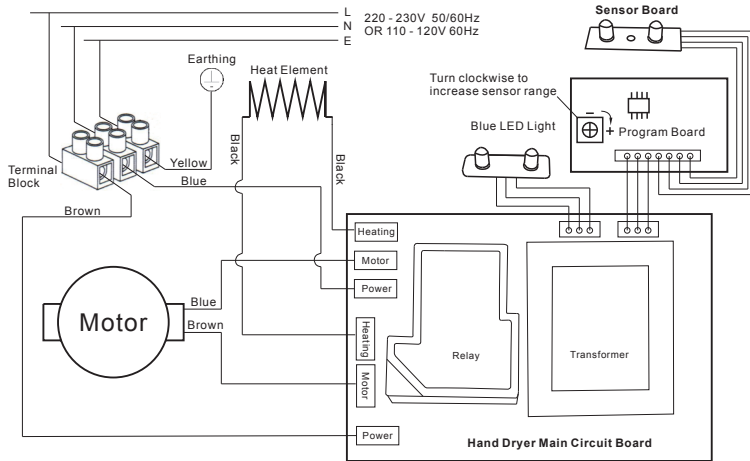
7. PACKING LIST

Hand Dryer: 1PC
User Manual: 1PC
Installation Template: 1PC
Plug in Dia. 8x38mm: 4PCS
Screw in Dia. 5x36mm: 4PCS
Hex screwdriver: 1PC

8. DIAGNOSTICS & REMEDIES

SYMPTOM	CORRECTIVE ACTION
If the dryer will not run	Ensure the breaker supplying the dryer is operational. If it is, disconnect the power and remove the dryer cover. Taking suitable precautions to avoid shock hazard, reconnect the power and check for voltage at the terminal block. If there is power and the dryer will not run, replace the Electric Circuit Board (large one) and/or Microcomputer Board(Middle one) and/or Sensor Board. Turn the blower wheel several times by hand to establish if it is blocked
If the dryer cycles by itself, runs all the time, or is not sensitive enough	Ensure that there is no obstruction on or in front of the infrared sensor. Clean any dirt off the sensor lens. Try adjusting the sensitivity potentiometer on Microcomputer Board (Blue knob). Turn anti-clockwise to decrease the sensor range. If the problem persists, replace the Microcomputer Board and/or Sensor Board
If the heat element gets hot but the fan motor does not turn	Disconnect the power. Remove the dryer cover and check for obstructions in the fan housing. Damaged fans must be replaced. If there are no obstructions, replace the motor or brushes
If the dryer runs but makes a buzzing sound	Disconnect the power. Remove the dryer cover and check the fan for rubbing on the housing as it rotates. Replace fan if the condition exists.
If the fan motor runs but the heating element does not get hot (dryer blows cold air)	Disconnect the power and remove the dryer cover. Check loose and damaged wires. Remove the blower housing. Check the heating element to see if it is burnt or damaged. Damaged element must be replaced. If the element does not appear damaged, disconnect it at the Electric Board and check element wire continuity. Please check thermostat on the heating element at the same time.
If the motor makes a ticking/whining noise when it rotates	Disconnect the power. Remove the dryer cover and check the brushes for worn condition, replace them if necessary.

9. DIAGRAM



10. WARRANTY

This hand dryer has a 2 year warranty from the date of purchase for any manufacturing defect. It covers replacement of defective parts, except when caused by improper use. This warranty is only valid if the form card has been properly filled in with the suppliers stamp. For all warranty claims you should contact your local distributor.

Model: Serial No.:

Distributor: Customer:

Address:

Tel No.: Fax. No.:

Date of Purchase:

For Seller: Signature & Stamp:

BLUEDRY

bluedry.co.uk | Blue Dry is a part of FW3 Group LTD
 FW3 Group, West Hill, Nr Exeter, Devon, UK, EX11 1LQ
 Tel: 0800 328 5708 | Email: sales@fw3group.com