

MONSTER®
Rockin Roller 2
User Manual



FOR QUESTIONS OR TECHNICAL SUPPORT
Please call:

1.800.976.0677



Please do not return this product to the store.

TABLE OF CONTENTS

IMPORTANT SAFETY INSTRUCTIONS	3
UNPACKING	5
PARTS	5
GETTING STARTED BLUETOOTH CONNECTION (Bluetooth Devices)	6
NFC PARING	7
CONNECTION USING AUX INPUT	8
FM / USB CHARGING	8
AUTO STANDBY	9
TROUBLESHOOTING	9
SPECIFICATIONS	10
LIMITED WARRANTY	11

IMPORTANT SAFETY INSTRUCTIONS

TO PREVENT FIRE OR SHOCK HAZARD, DO NOT USE THIS PLUG WITH AN EXTENSION CORD, RECEPTACLE OR OTHER OUTLET UNLESS THE BLADE CAN BE FULLY INSERTED TO PREVENT BLADE EXPOSURE. TO PREVENT FIRE OR SHOCK HAZARD, DO NOT EXPOSE THIS APPLIANCE TO RAIN OR MOIST.

 <p>The lightning flash with arrow-head symbol, within an equilateral triangle is intended to alert the user to the presence of insulated “dangerous voltage” within the product’s enclosure that may be of sufficient magnitude to constitute a risk of electric shock to persons.</p>	<p style="text-align: center;">CAUTION</p> <p style="text-align: center;">RISK OF ELECTRIC SHOCK DO NOT OPEN</p> <p>WARNING: TO REDUCE THE RISK OF ELECTRIC SHOCK DO NOT REMOVE COVER (OR BACK), NO USER SERVICEABLE PARTS INSIDE REFER SERVICING TO QUALIFIED SERVICE PERSONNEL.</p>	 <p>The exclamation point within an equilateral triangle is intended to alert the user to the presence of important operating and maintenance (servicing) instructions in the literature accompanying the appliance.</p>
--	--	---

- 1. READ INSTRUCTIONS** - All the safety and operating instructions should be read before the product is operated.
- 2. RETAIN INSTRUCTIONS** -The safety and operating instructions should be retained for future reference.
- 3. HEED WARNINGS** - All warnings on the product and in the operating instructions should be adhered to.
- 4. FOLLOW INSTRUCTIONS** - All operating and use instructions should be followed.
- 5. CLEANING** - Unplug this product from the wall outlet before cleaning Do not use liquid cleaners or aerosol cleaners. Clean only with a dry cloth.
- 6. ATTACHMENTS** - Do not use attachments not recommended by the product manufacturer as they may cause hazards.
- 7. ACCESSORIES** - Do not place this product on an unstable cart, stand, tripod, bracket, or table. The product may fall, causing serious injury to a child or adult, and serious damage to the product. Use only with a cart, stand, tripod, bracket, or table recommended by the manufacturer, or sold with the product. Any mounting of the product should follow the manufacturer instructions, and should use a mounting accessory recommended by the manufacturer. A product and cart combination should be moved care-quick stops, excessive force and uneven surfaces might cause the product and cart combination to overturn.
- 8. VENTILATION** - Slots and openings in the cabinet are provided for ventilation and to ensure reliable operation of the product and to protect it from overheating, and these openings must not be blocked or covered. The openings should never be blocked by placing the product on a bed, sofa, rug or other similar surface. This product should not be placed in a built-in installation, such as a bookcase or rack, unless proper ventilation is provided or the manufacturer instructions have been adhered to.

9. POWER SOURCES - This product should be operated only from the type of power source indicated on the marking label. If you are not sure of the type of power supply to your home, consult your product dealer or local power company. For products intended to operate from battery power, or other sources, refer to the operating instructions.

10. GROUNDING OR POLARIZATION - This product may be equipped with a polarized alternating-current line plug (a plug having one blade wider than the other). This plug will fit into the power outlet only one way. This is a safety feature: If you are unable to insert the plug fully into the outlet, try reversing the plug. If the plug should still fail to fit, contact your electrician to replace your obsolete outlet. Do not defeat the safety purpose of the polarized plug.

11. POWER-CORD PROTECTION - Power-supply cords should be routed so that they are not likely to be walked on or pinched by items placed upon or against them, paying particular attention to cords at plugs, convenience receptacles, and the point of exit from the product.

12. NON-USE PERIODS - The power cord of the product should be unplugged from the outlet when left unused for long periods of time.

13. Do not use this apparatus near water.

14. Do not install near any heat sources such as radiators, heat registers, stoves or other apparatus (including amplifiers) that produce heat.

15. Refer all servicing to qualified service personnel. Servicing is required when the apparatus has been damaged in any way, such as power - supply cord or plug is damaged, liquid has been spilled or objects have fallen into the apparatus, the apparatus has been exposed to rain or moisture, does not operate normally, or has been dropped.

16. Mains plug is used as disconnect device and it should remain readily operable during intended use. In order to disconnect the apparatus from the mains completely, the mains plug should be disconnected from the mains socket outlet completely.

17. Battery shall not be exposed to excessive heat such as sunshine, fire or the like.

WARNING: To reduce the risk of fire or electric shock, do not expose this apparatus to rain or moisture.

CAUTION: Use of controls or adjustments or performance of procedures other than those specified may result in hazardous radiation exposure.

CAUTION: These servicing instructions are for use by qualified service personnel only. To reduce the risk of electric shock, do not perform any servicing other than that contained in the operating instructions unless you are qualified to do so.

CAUTION: Danger of explosion if battery is incorrectly replaced. Replace only with the same or equivalent type.

FCC Warning Statement

Changes or modifications not expressly approved by the party responsible for compliance could void the user's authority to operate the equipment.

This equipment has been tested and found to comply with the limits for a Class B digital device, pursuant to Part 15 of the FCC Rules.

These limits are designed to provide reasonable protection against harmful interference in a residential installation. This equipment generates, uses, and can radiate radio frequency energy and, if not installed and used in accordance with the instructions, may cause harmful interference to radio communications. However, there is no guarantee that interference will not occur in a particular installation. If this equipment does cause harmful interference to radio or television reception, which can be determined by turning the equipment off and on, the user is encouraged to try to correct the interference by one or more of the following measures:

- Reorient or relocate the receiving antenna.
- Increase the separation between the equipment and receiver.
- Connect the equipment into an outlet on a circuit different from that to which the receiver is connected.
- Consult the dealer or an experienced radio/TV technician for help.

FCC Radiation Exposure Statement

This equipment complies with FCC radiation exposure limits set forth for an uncontrolled environment. In order to avoid the possibility of exceeding the FCC radio frequency exposure limits, Human proximity to the antenna shall not be less than 20cm (8 inches) during normal operation.

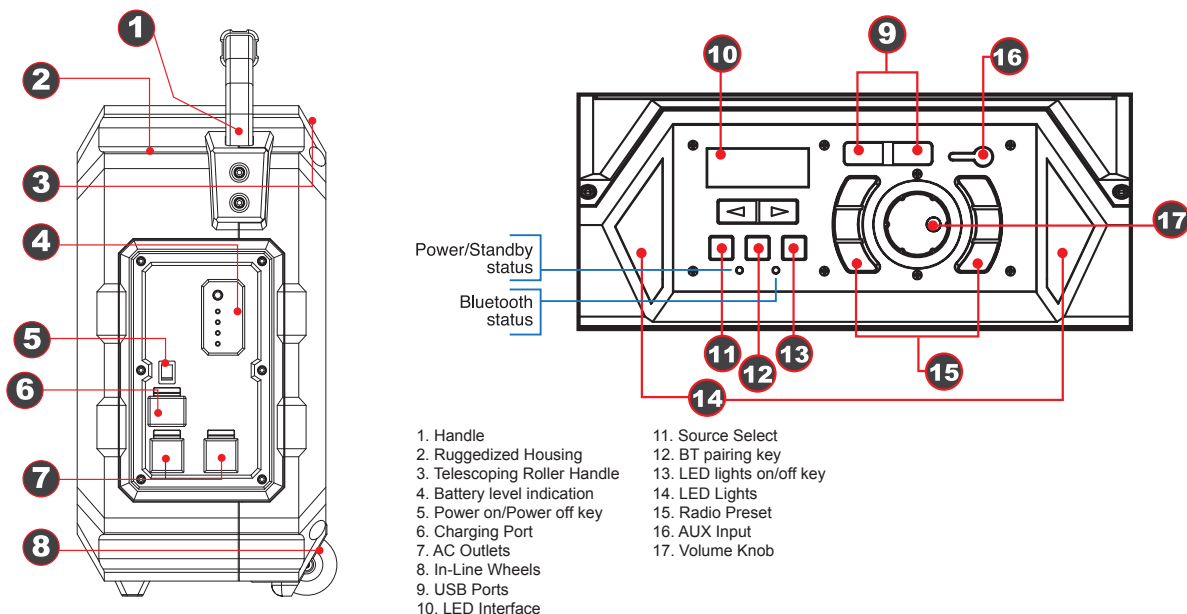
Unpacking

Check that you have all of the following items.

If any item is missing, please contact the customer service hotline for assistance. The hotline number is printed on the cover page of this user manual.

- Monster Rockin' Roller 2 Unit
- AC Power Cable
- User Manual (with Warranty Statement)
- Quick Start Guide

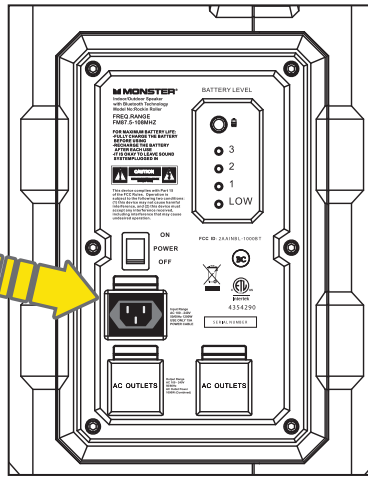
Part Descriptions



GETTING STARTED

Power Connection

Wall Outlet

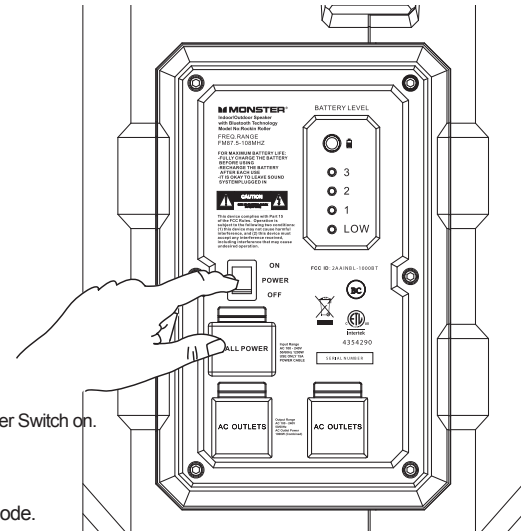


Power On/Off Switch

- Power on the mechanical Power Switch
- The Power Green LED will turn On
- The unit will enter into Bluetooth mode, Bluetooth LED will flash blue.

- Connect the supplied A/C cable to the speaker.
- Plug the A/C cord into the wall outlet.

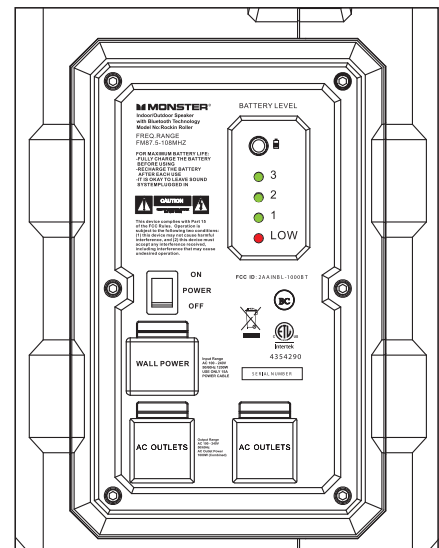
- Turn Power Switch on.



If the 3.5mm Stereo Audio cable is plugged in during this Power On mode, it will automatically enter into AUX mode.


CHARGING BATTERY

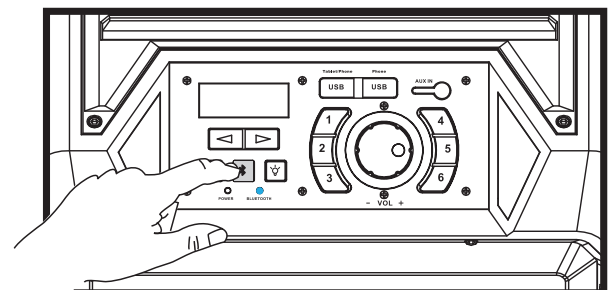
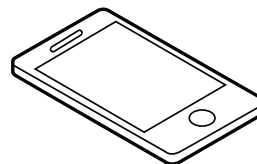
- By connecting AC power, battery will start charging.
- If **Red LED** indicator is flashing, this means that battery levels are low and need charging.
- If all **Green LED** indicators is on, this means the battery level is full.
- Charge battery about 6 hours before you start using the unit for the first time.



BLUETOOTH CONNECTION (Bluetooth Device)

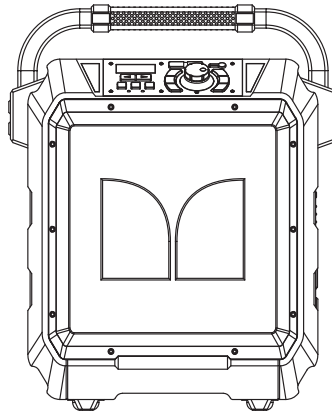
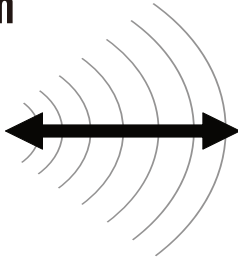
Manual Bluetooth pairing

- Place Speaker and your Bluetooth device so they are no more than 3 feet apart.
- Press and hold  button on Speaker for 2 seconds to enter into Bluetooth pairing mode. BT Blue LED will flash.
- Make sure Bluetooth function of your Bluetooth device is ON.
- Set your Bluetooth device to search for Bluetooth devices. You will recognize the unit by its Bluetooth name 'Monster Rockin' Roller'






Bluetooth®
Pairing

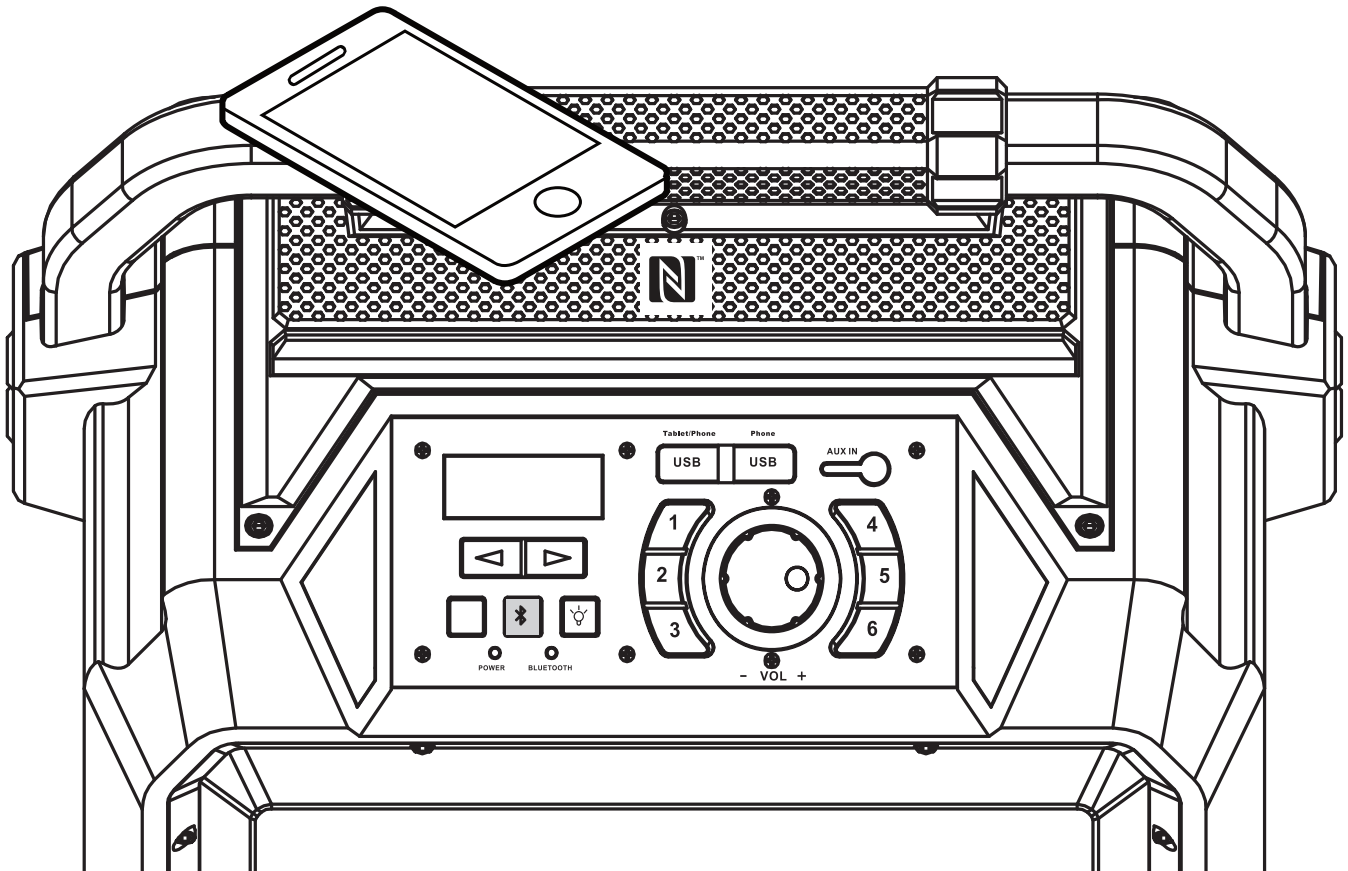


- Once selected, your Bluetooth device will indicate as “Connected” and you will hear confirmation sound from Speaker.
- Bluetooth LED turns solid upon completion of pairing.
- Bluetooth Blue LED Indicator (Flashing to Steady On)

Bluetooth Blue LED Indicator
(Flashing to **Steady On**)

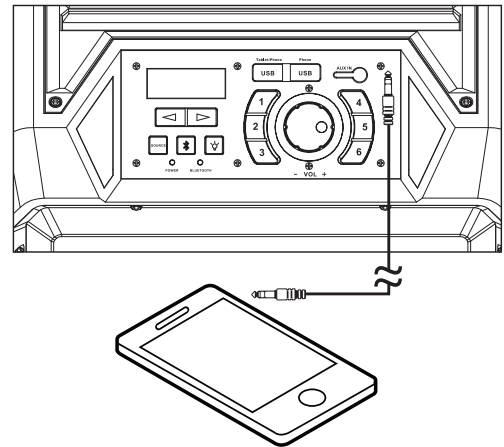
BLUETOOTH, NFC PAIRING

- Turn the speaker on to Bluetooth pairing mode by pressing and holding  to enter into Bluetooth pairing mode.
- Turn the Bluetooth on your NFC Compatible mobile device
- Tap your mobile device onto the NFC logo of the speaker
- Bluetooth Blue LED Indicator turns solid upon pairing



CONNECTION USING AUX INPUT

- Plug in the 3.5mm Stereo Audio wire into the Aux-In input, and the unit will enter into Aux mode and the BT Blue LED Indicator will turn off.
- You can connect any audio device that has 3.5mm audio output jack, and can playback any audio from this connected device.
- All playback functions (Play, Pause, Next, Previous, Volume Up & Volume Down) can be controlled from the connected Audio device.



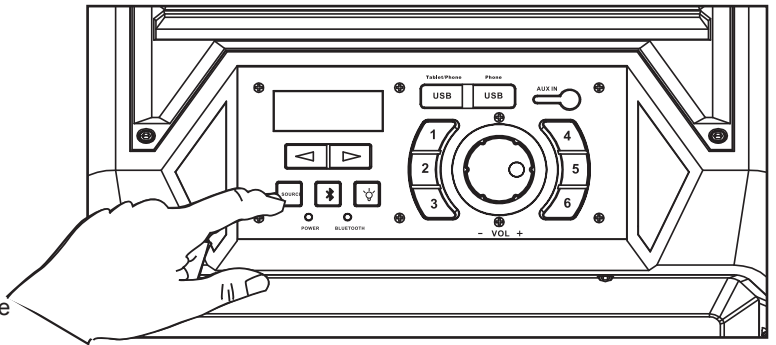
FM/USB CHARGING

Listening to FM radio

- Press the “Source” button to select FM source, the radio station frequency will be displayed on the screen.
- Press and hold (◀ or ▶) to search a station with strongest reception automatically.

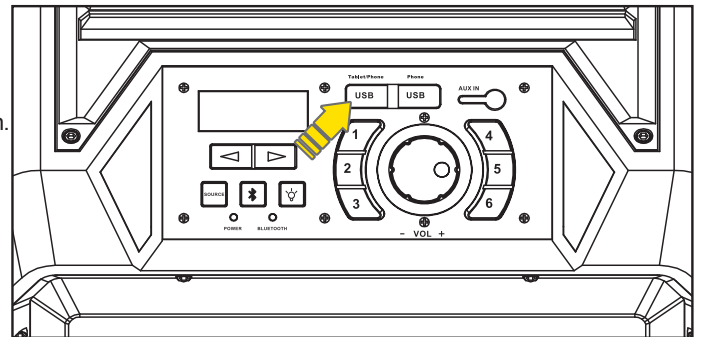
Store your favorite six radio stations manually

- Tune to the desired radio station.
- Press and hold a number key (1-6) to enter programming mode; the corresponding number blinks on the screen; and the station to save on the selected preset.
- Repeat above step 1-2 to store additional stations.



Select a favorite radio station

- Press the “Source” button to select FM source.
- Press the number 1-6 keys to select one of your favorite radio stations to listen.



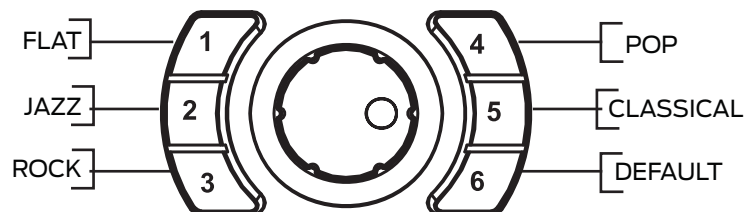
USB Charging

- With the built in USB power bank, connect your USB cable to one of the two USB power ports. You can connect an iPhone, iPad, or any Android device. (USB cable not included)

EQ Presets



EQ Presets
When in Bluetooth or AUX mode easily customize your listening experience by pressing the preset button



AUTO STANDBY/ WAKE UP

Auto Stand by:

The Power Red LED Signal will turn on and other LED Signals will turn off once the main unit is in Standby mode.

- Bluetooth: When there is no BT Connection, or there is a BT Connection failure, or if the BT has been disconnected for 15 Minutes, the set will go to standby mode and the BT LED Signal will turn off.
- AUX: The main unit will enter standby mode when the main unit is in AUX mode and no AUX cable has been detected.
- Work Mode: When the main unit is in work mode, pressing and holding the volume knob key for 3 seconds will auto enter the unit to Standby Mode.

“Wake up” from standby mode:

If the main unit is in Standby mode, press and hold the volume knob for 1 second. The main unit will turn on and return to the latest source mode. The Power Red LED Signal will turn off and the LED Screen will display the latest source once the main unit is in work mode.

TROUBLESHOOTING

General

No power

- Check that the AC power cord is securely inserted in the unit and the electrical outlet.
- Check the Power On/Off switch is turn to On position.
- If battery is flat. Plug in the AC power cord to charge and operate. Keys no response
- Turn the Power On/Off switch to Off, and then On again to reset the unit.
- Unplug the AC power cord and plug it back again. No sound heard
- Make sure the Aux connected device volume is turn to reasonable level.
- Make sure the Bluetooth connected device output the audio thru BT out.
- Make sure the Bluetooth connected device volume is turn to reasonable level.

Bluetooth Operations

Audio quality is poor

- Bluetooth reception is poor. Move the Bluetooth device closer to the Speaker.

Cannot pair to Bluetooth device

- Make sure both Bluetooth device and Speaker is not connected to any other Bluetooth device.
- Make sure the Bluetooth On/Off switch located below Speaker is slide to On position.
- Make sure the Blue LED on the Speaker is fast flashing (Pairing mode).
- Turn Power switch to Off, and then On again. Press and hold BT button for 2 seconds to enter into pairing mode.

SPECIFICATIONS

General

Input Source	Bluetooth /FM/Aux
Bluetooth Range	Bluetooth 10M (33ft)
AUX IN	3.5 mm
Control Buttons.....	Power, Source, Bluetooth pairing, Volume knob, Previous/Next, LED lighting on/off key, 6 pcs FM preset key Battery Level indicated LED on/off key
LED Indicator	Power/Standby (Red LED x1); Bluetooth (Blue LED x1); Battery level indicating LED (Red x1,Green LED x3); LED lighting (White LED x2)
Battery	Yes
Power Input	AC IN 120V/60Hz z/AC IN 220V/50Hz
Auto Standby	When the unit is not being used for over 15 minutes it will automatically enter Standby mode
Auto Power Off	Yes
Speaker output wattage	80W X1
Speaker Driver size	8" (Woofer) + 3" (Full Range)
Speaker Grill Finishing	Metal speaker grill
Full Range	Yes
Max SPL	99dB
THD + Noise	<10%
S/N	>75dB
Cabinet Material	Plastic
Dimension (W x H x D)	16.7" x 20.6" x 9.05"
Weight (Kg)	21lbs

Operating Temperature

Operating Temperature Range	32F to 104F
Operating Humidity Range	40~90% RH
Storage Temperature Range	-13F to 158F

Key

Power On/Off Key	Power on: Switch "Power" key to "I" Power off: Switch "Power" key to "O"
Source Key	Press source key to change source between "BT", "Aux In", or "FM"
Volume Knob	1. Rotate VOLUME knob to increase/decrease volume; 2. Press and hold the volume knob key for 3s and enter standby status
Bluetooth Paring	1. Press and hold the Pairing key for 2s to enter to pairing mode. 2. Press and hold the pairing key for 8s to clear any previous Bluetooth paring.
Previous/Next Key	Auto search radio stations when in FM mode press and hold "Previous/Next" key in FM Source
Preset 1,2,3,4,5,6	Short press - play preset station Long press - store current station to preset

Battery Level Indicated

LED On/Off key	Press
----------------------	-------

Bluetooth

Bluetooth Version	3.0 + EDR
Bluetooth Profile	A2DP, AVRCP
Bluetooth Frequency Brand	2.4GHz ~ 2.48GHz
Bluetooth Range	10m (33ft.)

Connections

3.5mm Aux In	Yes
USB Port	USB x 2 (5v 1.2A each)
AC in	Yes
AC Out	Yes x 2 (Passthrough)

Limited Warranty

Model: Rockin' Roller 2

This Monster-branded product, marketed as new, in the original carton to the original purchaser ("Product"), is warranted by Russell Distribution Company, LLC against manufacturing defects in materials and workmanship for a limited warranty period of Ninety (90) Days for Labor and One (1) year for Parts. This Limited Warranty is conditioned upon proper use of Product by you, the Purchaser.

This Limited Warranty does not apply to store display products and product sold as a 'marked down' special, in as is condition, 'close outs', "liquidation and clearance sales", "open box", products missing accessories, or no fault found.

Proof of purchase in the form of a Bill of Sale, Receipt or Receipted Invoice is evidence the Product is within the limited warranty period. The Bill of Sale, Receipt or Receipted Invoice must be presented as a pre-condition to obtaining the limited warranty service.

This limited warranty begins on the original date of purchase and is valid only on Products purchased through authorized dealers and used in the United States, and Puerto Rico, by the original Purchaser. To receive warranty service, the Purchaser must first contact us for problem determination and service procedures. The original dated bill of sale, receipt or receipted invoice must be presented upon request as proof of purchase.

We will repair your product or if repairs cannot be made, we will replace it at no charge with the same or similar product. If the Product is defective as specified in this limited warranty during the limited warranty period, we may use new or remanufactured parts to repair the Product. All replaced parts and products become our property and must be returned to us. Replacement parts and products assume the remaining original limited warranty, or ninety (90) days, whichever is longer.

Product freight must be prepaid by you, the original Purchaser and shipped in either its original packaging or packaging affording an equal degree of protection. We will not be responsible for or obligated to replace damaged Products.

If the Product is received damaged, it is your responsibility as the consumer to file a claim against the carrier. We will only store the damaged Product for 30 days and reserve the right, in our sole discretion, to dispose of the damaged Product or ship it back to you at your expense after 30 days. This limited warranty covers manufacturing defects in materials and workmanship encountered in normal, and except to the extent otherwise expressly provided for in this statement noncommercial use of this Product, and shall not apply to the following, including, but not limited to: Damage which occurs in shipment; delivery and installation; applications and uses for which this Product was not intended; altered Product or serial numbers; cosmetic damage or exterior finish; accidents, abuse, neglect, fire, water, lightning or other acts of nature; use of products, equipment, systems, utilities, services, hardware, supplies, accessories, applications, installations, repairs, external wiring or connectors not supplied or authorized by us or the manufacturer, which damage this Product or result in service problems; incorrect electrical line voltage, fluctuations and surges; customer adjustments and failure to follow operating instructions, cleaning, maintenance and environmental instructions that are covered and prescribed in the instruction book; reception problems and distortion related to noise, echo, interference or other signal transmission and delivery problems; burned-in images. Uninterrupted or error-free operation of the Product is not warranted.

THERE ARE NO EXPRESS OR IMPLIED WARRANTIES OTHER THAN THOSE LISTED AND DESCRIBED ABOVE, AND NO WARRANTIES WHETHER EXPRESS OR IMPLIED, INCLUDING, BUT NOT LIMITED TO, ANY IMPLIED WARRANTIES OF MERCHANTABILITY OR FITNESS FOR A PARTICULAR PURPOSE, SHALL APPLY AFTER THE EXPRESS WARRANTY PERIODS STATED ABOVE, AND NO OTHER EXPRESS WARRANTY OR GUARANTEE GIVEN BY ANY PERSON, FIRM OR CORPORATION WITH RESPECT TO THIS PRODUCT SHALL BE BINDING ON US. REPAIR OR REPLACEMENT AS PROVIDED UNDER THIS LIMITED WARRANTY IS YOUR EXCLUSIVE REMEDY AS THE CONSUMER. WE SHALL NOT BE LIABLE FOR ANY INCIDENTAL, OR CONSEQUENTIAL DAMAGES FOR BREACH OF ANY EXPRESS OR IMPLIED WARRANTY ON THIS PRODUCT; EXCEPT TO THE EXTENT PROHIBITED BY APPLICABLE LAW, ANY IMPLIED WARRANTY OF MERCHANTABILITY OR FITNESS FOR A PARTICULAR PURPOSE ON THIS PRODUCT IS LIMITED FOR THE DURATION OF THIS LIMITED WARRANTY THIS LIMITED WARRANTY SHALL NOT EXTEND TO ANYONE OTHER THAN THE ORIGINAL PURCHASER OF THIS PRODUCT, IS NONTRANSFERABLE AND STATES YOUR EXCLUSIVE REMEDY.

Some states do not allow limitations on how long an implied warranty lasts, or the exclusion or limitation of incidental or consequential damages, so the above limitations or exclusions may not apply to you. This limited warranty gives you specific legal rights, and you may also have other rights, which vary from state to state. Any provision contained herein which is found contrary to state or local laws shall be deemed null and void and the remaining provisions shall continue in full force and effect.

To obtain warranty service:

Telephone: 800-976-0677



Monster and the M Monster logo are registered trademarks of Monster, Inc. and its subsidiaries in the U.S. and other countries, used under license. Pure Monster Sound is a trademark of Monster, Inc. and its subsidiaries in the U.S. and other countries, used with permission.

The Bluetooth® word mark and logos are registered trademarks owned by Bluetooth SIG, Inc. Other trademarks and trade names are those of their respective owners.

Printed in China Version: 1.0