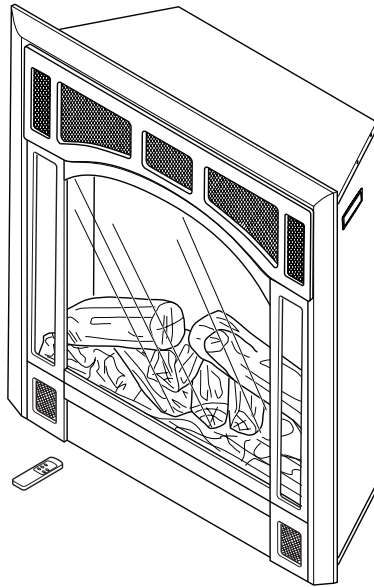




FMI PRODUCTS, LLC
ELECTRIC FIREPLACE/INSERT
32" MODEL ES401
SAFETY INFORMATION AND INSTALLATION MANUAL



C US

Patent No. 7,219,456 B1

Read these instructions completely before beginning installation. Failure to follow them could cause a heater malfunction resulting in serious injury and/or property damage.

⚠ WARNING: All electric heaters have hot and arcing or sparking parts inside. Do not use it in areas where gasoline, paint or flammable liquids are or are stored.


This fireplace meets the construction and safety standards of H.U.D. for application in manufactured homes when installed according to these instructions.

INSTALLER: Leave this manual with the appliance.
CONSUMER: Retain this manual for future reference.

TABLE OF CONTENTS

Safety	2	Cleaning and Maintenance.....	8
Listing Approvals	3	Technical Service.....	12
Product Dimensions	3	Replacement Parts.....	12
Product Identification.....	4	Troubleshooting.....	13
Unpacking and Testing	4	Wiring Diagram.....	14
Locating Fireplace.....	4	Accessories	15
Installation	5	Parts	16
Finishing	7	Warranty.....	Back Cover
Operation.....	7		

SAFETY

 WARNING: Improper installation, adjustment, alteration, service or maintenance can cause injury or property damage. Refer to this manual. For assistance or additional information, consult a qualified installer.

 CAUTION: Do not expose the heater to the elements (such as rain, etc).

Do not place clothing or other flammable material on or near firebox. Never place any objects on the fireplace.

Carefully supervise young children when they are in the room with fireplace.

Fireplace becomes very hot when running. Keep children and adults away from hot surfaces to avoid burns or clothing ignition. Fireplace will remain hot for a time after shutdown. Allow surfaces to cool before touching.

Do not install fireplace directly on carpet or similar surface which may restrict air circulation beneath unit.

When using electrical heaters, basic precautions should always be followed to reduce the risk of fire, electric shock and injury to persons, including the following:

1. Read all instructions before using this heater.
2. Keep combustible materials, such as furniture, pillows, bedding, papers, clothes and curtains at least 3 feet (0.9 m) from front of heater.
3. This heater is hot when in use. To avoid burns, do not let bare skin touch hot surfaces. The grill directly in front of heater outlet becomes hot during heater operation.
4. Extreme caution is necessary when any heater is used by or near children and whenever heater is left operating and unattended.
5. Always unplug heater when not in use.
6. Do not operate any heater with a damaged cord or plug or if heater malfunctions or has been dropped or damaged in any way. Return heater to authorized service facility for examination, electrical or mechanical adjustment or repair.
7. Do not use outdoors.
8. This heater is not intended for use in bathrooms, laundry areas and similar indoor locations. Never locate heater where it may fall into a bathtub or other water container.
9. Do not run cord under carpeting. Do not cover cord with throw rugs, runners or the like. Arrange cord away from traffic area and where it will not be tripped over.
10. To disconnect heater, turn controls to the OFF before removing plug from outlet. (turn off power to unit).
11. Do not insert or allow foreign objects to enter any ventilation or exhaust opening as this may cause an electric shock or fire or damage the heater.
12. To prevent possible fire, do not block air intakes in any manner. Do not use on soft surfaces, like a bed, where openings may become blocked.
13. Connect to properly grounded outlets only.

SAFETY

Continued

14. A heater has hot and arcing or sparking parts inside. Do not use it in areas where gasoline, paint or flammable liquids or vapors are used or stored.
15. Use this heater only as described in this manual. Any other use not recommended by the manufacturer may cause fire, electric shock or injury to persons.
16. Avoid the use of an extension cord because the extension cord may overheat and cause a risk of fire. However, if you have to use an extension cord, the cord should be No. 14 AWG minimum size and rated not less than 1875 WATTS.
17. Always use ground fault protection where required by electrical codes.
18. Always disconnect power before performing any cleaning, maintenance or relocation of heater.
19. To prevent a possible fire, do not burn wood or other materials in this heater.
20. To prevent electric shock or fire, always use a certified electrician should new circuits or outlets be required.
21. When transporting or storing heater, keep in a dry place.
22. Control panel door gets hot during heater operation. Open door by pressing on right corner. A spring magnet will disengage. Pull door down to open.

LISTING APPROVALS

This heater has been tested in accordance with the CSA Standards for fixed and location-dedicated electric room heaters in the United States. All components are UL or CSA safety certified.

If you need assistance during installation, please contact your local dealer or the FMI PRODUCTS, LLC at 1-866-328-4537.

Please have the distributor's model and serial numbers when you call.

Description:	32" Fireplace/Inserts
Voltage:	120 / 240
Watts:	1500 / 3000
Amps:	15 Amp / 20 Amp Grounded Circuit

Note: This heater must be electrically wired and grounded in accordance with local codes or, in the absence of local codes, with National Electric Code ANSI/NFPA 70-latest edition or the Canadian Electric Code, CSA C22.1 as appropriate.

PRODUCT DIMENSIONS

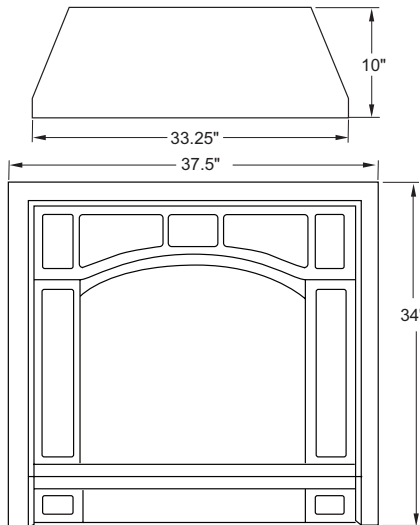


Figure 1 - Heater Dimensions

PRODUCT IDENTIFICATION

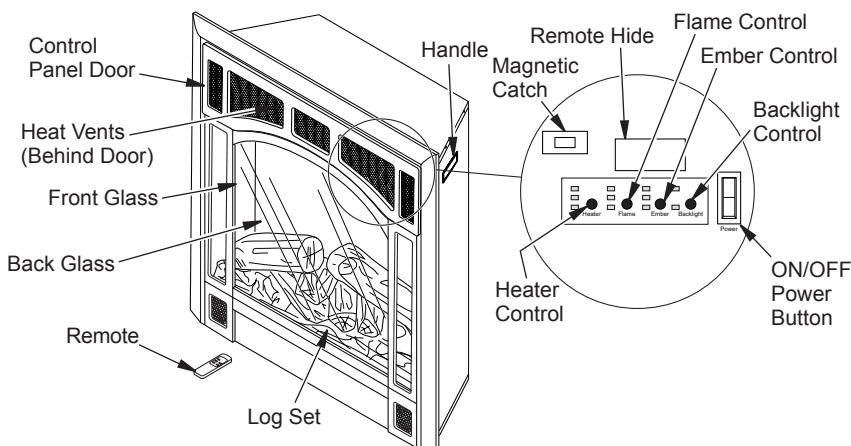


Figure 2 - Product Identification

UNPACKING AND TESTING

Carefully remove unit from box. Prior to permanently installing unit, test to make sure unit operates properly. Unit does not come with a power cord installed. Unit must be hard wired to either a 120/60 or 240/60 volt supply.

CAUTION: The unit's power supply cord must be connected to a properly grounded and protected 120-volt outlet. Always use ground fault protection where required by the electrical code.

WARNING: Do not operate the unit if it is damaged or has malfunctioned. If you suspect the unit is damaged, return the unit to an authorized service facility for examination, electrical or mechanical adjustment or repair.

LOCATING FIREPLACE

WARNING: Due to high temperatures, this heater should be located out of traffic. Keep combustible materials such as furniture, pillows, bedding, papers, clothes and curtains at least 3 feet (0.9 m) from the front of the heater.

NOTICE: Minimum and maximum clearances must be maintained at all times. Illustrations throughout these instructions reflect typical installations and are for design purposes only. Actual installations may vary slightly due to individual preferences.

WARNING: Never locate this heater where it may fall into a bathtub or other water container.

WARNING: To prevent contact with sagging or loose insulation, the heater must not be installed against vapor barrier or exposed insulation. Localized overheating could occur and a fire could result.

LOCATING FIREPLACE

Continued

CAUTION: Do not expose the heater to the elements (such as rain, etc.)

CAUTION: Wear gloves and safety glasses for protection during installation and maintenance.

This electric fireplace can be installed in a mantel, framed into a wall or installed into an existing fireplace. If installing into a mantel, follow mantel's assembly instructions.

Figure 3 illustrates a variety of ways the heater may be located in a room. The heater may be installed directly on the floor or raised on a hearth.

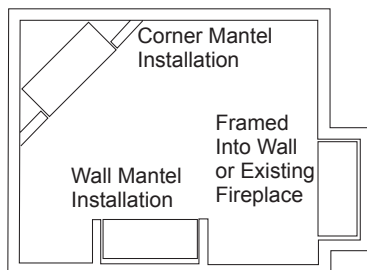


Figure 3 - Heater Locations

INSTALLATION

WARNING - RISK OF FIRE!
The power cord must not be pinched or against a sharp edge. Secure cord to avoid tripping or snagging to reduce the risk of fire, electric shock or personal injury. Do not run cord under carpeting. Do not cover cord with throw rugs, runners or the like. Arrange cord away from traffic areas and where it will not be tripped over.

WARNING - RISK OF FIRE!
To prevent a possible fire, do not block air intake or exhaust in any manner. Do not use on soft surfaces where openings may become blocked.

WARNING - RISK OF FIRE!
Do not blow or place insulation against the firebox.

WARNING: If the information in these instructions is not followed exactly, a fire or explosion may result causing property damage, personal injury or death.

Do not store or use gasoline or other flammable vapors in the vicinity of this or any other heater.

INSTALLING FIREPLACE

Select a suitable location that is not susceptible to moisture and is a safe distance from drapes, furniture and high traffic areas.

Note: Follow all national and local electrical codes. This insert can be installed into either an existing fireplace or as new construction/renovation.

Installing in Mantel

1. Assemble mantel according to mantel instructions.
2. Locate mantel near a wall (or corner depending on mantel type) close to a power source. You may have to alter base boards to fit mantel flush against wall.
3. Connect fireplace to power source. Insert fireplace into front of mantel. Be careful not to scratch finish on base. Fireplace will fit flush against front of mantel.
4. Push mantel with fireplace into final location.

Existing Fireplace Installation

1. Thoroughly clean out existing fireplace and hearth area.
2. Seal all drafts, vents or ash clean-outs with fiberglass insulation. Seal flue. Once sealed, close damper to stop debris from falling onto unit.
3. If existing fire box is susceptible to moisture, cap top of chimney flue to prevent infiltration of water.

INSTALLATION

Continued

Note: It is strongly advised that you hire a qualified professional to undertake this step in order to prevent personal injury. Once flue is capped, chimney is no longer suitable for wood burning.

Note: Do not install this unit into a fireplace that is prone to dampness, the area of installation must be dry.

- Plan the power supply. Unit does not come with a power cord. Unit must be hard wired to either a 120/60 or 240/60 volt supply.

⚠ WARNING: The solid fuel/gas fireplace has been converted for use with an electric insert and cannot be used for original fuels unless all original parts have been replaced and the fireplace has been reapproved by the authority having jurisdiction.

New Construction or Renovation

- Select a location at least 3 feet (0.9 m) away from combustible materials such as curtains or drapes, furniture, bedding, paper, etc.
- Mark desired location on floor and store unit in a safe, dry and dust free location.
- Frame in an opening leaving at least 1/4" (6 mm) around the edge of the unit (see *Framing*). Any new wiring must be done in compliance with local and national codes and other applicable regulations in order to reduce the risk of fire, electric shock or other injuries. Therefore, it strongly recommended that you hire a professional to complete any such work.
- Plan your power supply route. See step 4 of *Existing Fireplace Installation*, above.

Built-In Fireplace

- Remove front panel and front glass from fireplace (see *Cleaning and Maintenance*, page 8).
- Locate 3 prepunched clearance holes in each side of fireplace. Press screws through brick liner, then attach nailing flange brackets to each side of fireplace (see Figure 4).

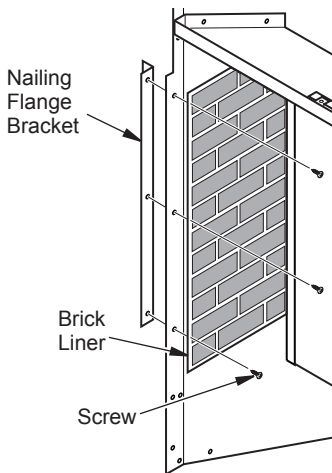


Figure 4 - Attaching Nailing Flange Brackets Framing

Figure 5, shows a typical framing of this heater using combustible materials. All required clearances to combustibles must be adhered to. Header height is measured from the base of the heater.

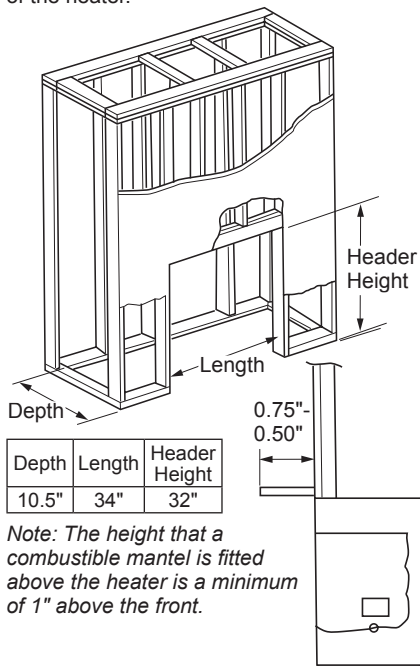


Figure 5 - Framing Heater for New Construction/Renovation

INSTALLATION

Continued

Tools and building supplies required for installation:

- Saw
- Pliers
- Hammer
- Phillips screwdriver
- Framing materials
- Tape measure
- Wall-finishing materials
- Caulking material
- Square
- Gloves
- Level
- Surround
- Electric drill/bits

⚠ CAUTION: Provide adequate clearances around the air openings and adequate accessibility clearances for servicing and proper operations.

Installing as Insert

Once the site has been prepared, your fire-place insert can be installed.

1. Make sure power switch is in the OFF position.
2. Push fireplace insert so trim is against finished mantle or wall surface.

FINISHING

⚠ WARNING: Control panel door on this heater cannot, in any way, be covered as it may create a fire hazard.

Combustible Finishing Material: Materials made of or surfaced with wood, compressed paper, plant fibers, plastics or any material capable of igniting and burning, whether flame proofed or not, plastered or unplastered (this includes drywall).

Noncombustible Finishing Material : Materials which will not ignite and burn. Such materials are those consisting entirely of

steel, iron, brick, tile, concrete, slate, glass or plasters or combinations thereof or have a fire rating of zero.

FINISHING CHECKLIST

- Power supply service must be completed prior to finishing to avoid reconstruction.
- Grills and air openings cannot be covered in any circumstances.

Note: The heater is a zero clearance fireplace and may be finished with combustible or non-combustible finishing materials.

When using paint or lacquer to finish the mantel, they must be heat resistant to prevent discoloration.

OPERATION

The controls (see Figure 6) are located behind hinged control panel door. If using heater, control panel door will be hot during and immediately after operation. Open door by pressing on right side. A spring magnet will push door forward. Pull door down to open.

1. Connect fireplace to power source. Turn on lighted power switch (see Figure 6).
2. Adjust Flame/Ember/Backlight/Heater to desired settings using the control pad on fireplace (Figure 6) or remote control (Figure 7, page 8). Figure 8, page 8, shows fireplace settings available. Default settings are circled. Press control pad or remote control buttons once and release to adjust settings.

Note: When on, ember bed will lighten and darken automatically to simulate real embers.

The heater is pre-set to the following temperatures:

HIGH will shut off when room reaches approximately 86° F (30° C).

MEDIUM will shut off when room reaches approximately 79° F (26° C).

LOW will shut off when room reaches approximately 72°F (22° C).

Note: Fan on heater will continue to run for 5-7 seconds after heater has been turned off.

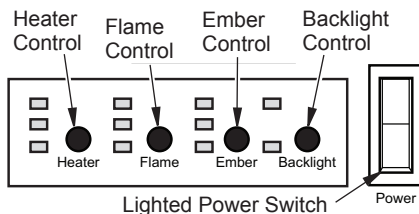


Figure 6 - Controls For Electric Fireplace

OPERATION

Continued

- When using remote control, aim remote at sensor located in center of unit just

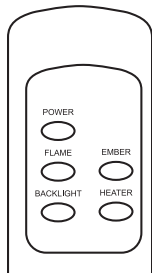


Figure 7 - Remote Control For Electric Fireplace

above log set. **IMPORTANT:** This remote control must remain within 20 feet (6 m) of fireplace to be effective.

- When power switch is turned off, fireplace settings go back to default (see Figure 8).

HEATER	Off	Low	Medium	High
FLAME	Off	Low	Medium	High
EMBER	Off	Low	Medium	High
BACKLIGHT	Off	Low		High

Figure 8 - Fireplace Settings (Default Settings are Circled)

CLEANING AND MAINTENANCE

WARNING: Always disconnect power and allow the heater to cool before performing any cleaning, maintenance or relocation of this heater. Turn controls to OFF and remove plug from outlet or turn off circuit breaker to heater.

To service electric fireplace it may be necessary to remove it from the mantel or enclosure in which it is installed. Let unit cool completely before cleaning or servicing.

CLEANING FIREBOX

- Open control panel door by pressing on right side. A spring magnet will push door forward. Pull door down to open.
- Remove 2 screws holding front trim in place. Pull gently to remove trim (see Figure 9). There are magnets on the lower portion of trim (see Figure 9)
- With gloves and safety glasses in place, remove 4 screws from glass retainer brackets (see Figure 9).
- Carefully remove front glass and brackets (see Figure 10).
- Using a brush vacuum attachment, gently clean compartment.
- After cleaning compartment, replace front glass, brackets and trim.

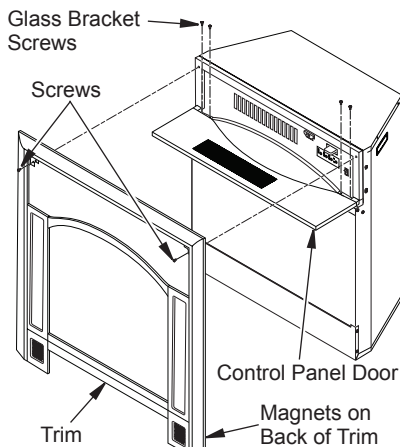


Figure 9 - Removing Trim

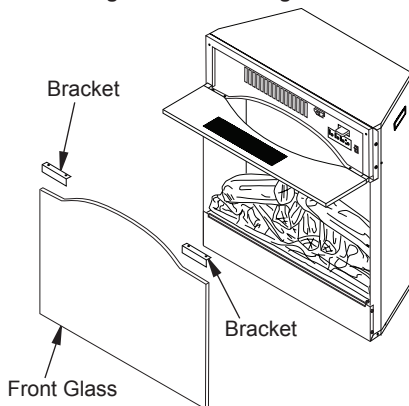


Figure 10 - Removing Brackets and Front Glass

CLEANING AND MAINTENANCE

Continued

REPLACING LOG

1. Follow steps 1 through 4 of *Cleaning Firebox*, page 8.
2. Remove screws from each side of log that secure log to sides and remove log (see Figure 11).
3. Install new log using screws removed in step 2.
4. Replace front glass and brackets.
5. Replace trim.

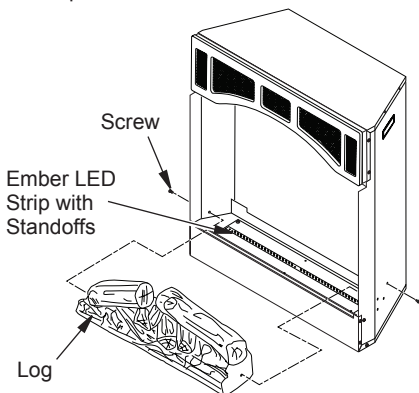


Figure 11 - Removing Log and Ember LED

REPLACING EMBER STRIP

1. Follow steps 1 and 2 under *Replacing Log*.
2. Locate ember LED strip (see Figure 11). Disconnect wire (right side).
3. Remove ember LED strip by squeezing top of standoffs and discard.
4. Connect new ember LED strip using existing standoffs.
5. Reconnect wire to LED strip.
6. Follow steps 3 through 5 under *Replacing Log*.

REPLACING HEATER/BLOWER

1. Follow steps 1 and 4 of *Cleaning Firebox*, page 8.
2. Remove screws from around top panel of firebox (see Figure 12).
3. There are several wires attached to the top panel. Carefully lift top panel.
4. Disconnect heater/blower wires from main circuit board.
5. Remove screws holding heater/blower to top panel (see Figure 12).

6. Remove brackets from heater/blower (see Figure 13). Save brackets and screws.
7. To remove heater from blower, remove 4 screws (2 per side).
8. If replacing blower, remove screws from brackets on blower (see Figure 14, page 10). Install brackets to new blower.
9. Replace blower or heater. Replace screws removed in step 7.
10. Hold heater/blower with brackets in place against top panel and replace screws removed in step 5.
11. Reconnect wires to main circuit board (see *Wiring Diagram*, page 14).
12. Replace glass with brackets, and top panel.
13. Replace trim.

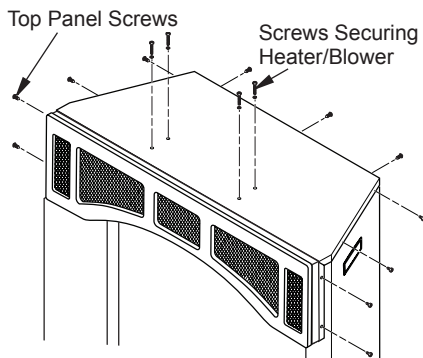


Figure 12 - Removing Top Panel and Heater/Blower

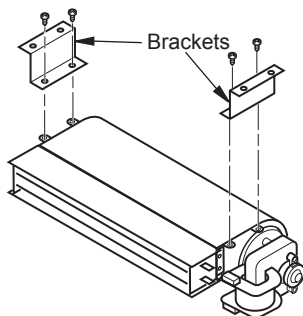


Figure 13 - Removing Brackets from Heater/Blower

CLEANING AND MAINTENANCE

Continued

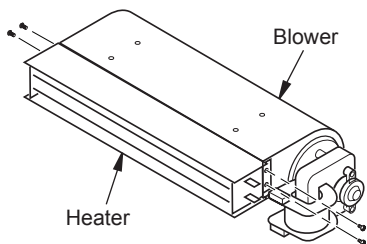


Figure 14 - Removing Heater from Blower

REPLACING TRANSFORMER

1. Follow steps 1 through 3 under [Replacing Heater/Blower](#), page 9.
2. Disconnect transformer wires from control board.
3. Remove screws and nuts from firebox surround to remove transformer (see Figure 15).
4. Remove and discard transformer.
5. Place new transformer against inside of firebox surround and replace screws and nuts removed in step 3.
6. Reconnect transformer wires to control board (see [Wiring Diagram](#), page 14).
7. Replace glass with brackets, and top panel.
8. Replace trim

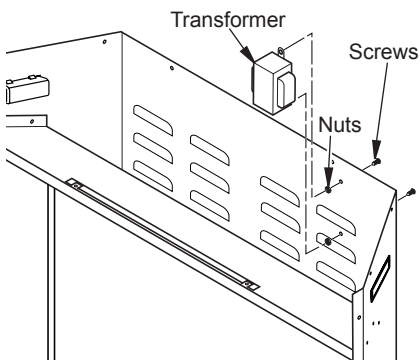


Figure 15 - Removing Transformer

REPLACING MAIN CONTROL BOARD

1. Follow steps 1 through 3 under [Replacing Heater/Blower](#), page 9.
2. Disconnect wires to main control board.
3. Squeeze top of standoffs to remove main control board and discard.

4. Gently push new control board onto standoffs to install.
5. Reconnect wires to main control board (see [Wiring Diagram](#), page 14).
6. Replace glass with brackets, and top panel.
7. Replace trim

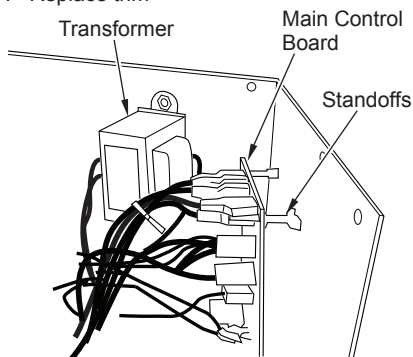


Figure 16 - Control Board

REPLACING BACKLIGHT LED STRIP

1. Follow steps 1 and 3 under [Replacing Heater/Blower](#), page 9.
2. Disconnect wires from main control board.
3. Squeeze top of standoffs to remove backlight LED strip and discard.
4. Place new backlight LED strip onto standoffs and push gently.
5. Connect wires to main control board (see [Wiring Diagram](#), page 14).
6. Replace glass with brackets, and top panel.

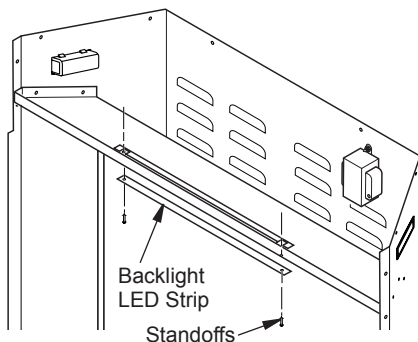


Figure 17 - Replacing Backlight LED Strip

CLEANING AND MAINTENANCE

Continued

REPLACING SETTINGS CONTROL BOARD

1. Follow steps 1 through 3 under *Replacing Heater/Blower*, page 9.
2. Disconnect wires from main control board.
3. Remove screws from bracket to remove settings control board.
4. Place new settings control board into position making sure each control is aligned with slot in panel. Install using screws from step 3. DO NOT overtighten. This will damage control board.
5. Reconnect wires to main control board (see *Wiring Diagram*, page 14).
6. Replace glass with brackets, and top panel.
7. Replace trim

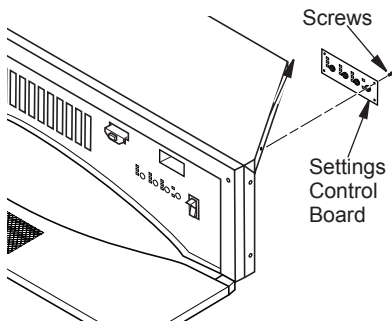


Figure 18 - Replacing Settings Control Board

REPLACING FLAME GENERATION LED

1. Follow steps 1 through 4 under *Cleaning Firebox*, page 8
2. Remove screws from each side of log that secure log to base and remove log (see Figure 11, page 9).
3. Remove screws from sides and back of bottom panel of firebox.
4. Gently lay unit on its back.

5. There are several wires attached to bottom panel. Carefully remove panel.
6. Disconnect wires from motor and LED drum assembly.
7. Remove screws from bottom panel to remove assembly.
8. If motor on assembly fails, loosen clamps (see Figure 19). Remove screws from motor. Hold universal joint while removing motor and discard.
9. Install new motor. Slide motor shaft into universal joint and tighten clamps.
10. Hold LED drum assembly in place on bottom panel and replace screws.
11. Reattach wires to motor and LED drum. *Note: LED drum wires are polarity sensitive and must be connected correctly. White wire plugs onto left terminal and red wire plugs onto right terminal. Motor wires can be connected to either terminal.*
12. Replace fireplace bottom panel. Set fireplace upright and replace screws.
13. Replace log, glass and brackets.
14. Reinstall fireplace and replace trim.

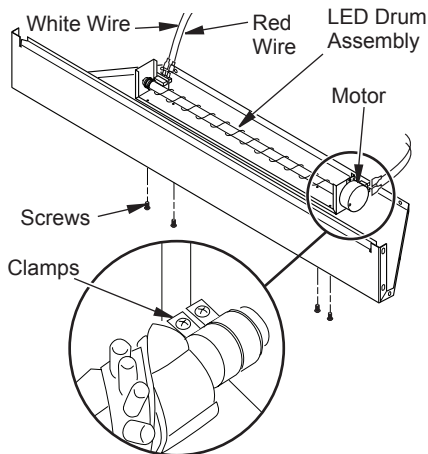


Figure 19 - Flame Generation LED Drum Assembly

CLEANING AND MAINTENANCE

Continued

CLEANING OR REPLACING BACK SCREEN (GLASS)

1. The glass is cleaned in the factory during assembly. During shipment, installation, handling, etc. glass surface may collect dust particles. These can be removed by buffing lightly with a clean damp cloth (water only). Glass should be completely dried with a lint free cloth or paper towel.
2. In the event of glass breakage, vacuum all remaining glass pieces with a shop vac. **DO NOT VACUUM WHILE PIECES ARE HOT.** Replace glass only with replacement part specifically for this heater. Never substitute material. Only fully tempered soda lime safety glass may be used on this heater.
3. To access glass to clean or replace, follow steps 1 and 7 under *Replacing Flame Generation LED*, page 11. Set aside bottom panel.
4. Using gloves, gently remove glass panel by sliding it toward you. There is a rubber bumper on each corner of glass.
5. Clean glass as instructed in step 1 or replace glass.
6. Using gloves, reinstall glass by gently sliding, smooth side toward fireplace front, into brackets on either side that hold glass in place.
7. Replace log base.
8. Follow steps 11 and 14 under *Replacing Flame Generation LED*, page 11.

TECHNICAL SERVICE

You may have further questions about installation, operation, or troubleshooting. If so, contact FMI PRODUCTS, LLC at 1-866-328-4537. When calling please have your model and serial numbers of your heater ready.

You can also visit our web site at www.fmiproducts.com.

This information can be found on the fireplace's rating plate located behind the control panel door.

REPLACEMENT PARTS

Note: Use only original replacement parts. This will protect your warranty coverage for parts replaced under warranty.

Contact authorized dealers of this product. If they can't supply original replacement part(s), call FMI PRODUCTS, LLC at 1-866-328-4537.

When calling, have ready:

- your name
- your address
- model and serial numbers of your heater
- how heater was malfunctioning
- purchase date

Usually, we will ask you to return the part to the factory.

TROUBLESHOOTING

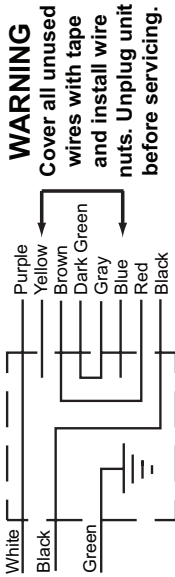


WARNING: Turn off appliance and let cool before servicing. Only a qualified service person should service and repair heater.

OBSERVED PROBLEM	POSSIBLE CAUSE	REMEDY
Fireplace turns off and will not turn on	1. Fireplace has overheated and safety device has cause thermal switch to disconnect or home circuit breaker has opened	1. Reset switch by turning main power switch off and waiting 5 minutes then turning it back on or reset circuit breaker
Flame is not moving	1. Loose wiring 2. Flame motor defective	1. Inspect wiring for loose connections 2. Call a qualified service technician to replace flame motor
Flame is not visible	1. Wiring is loose	1. Disconnect from power source and inspect wiring for loose connections and repair or replace if necessary
Log set and/or ember is not glowing	1. Wiring is loose	1. Disconnect from power source and inspect wiring for loose connections and repair or replace if necessary
Flame sputters/ashes	1. Flame motor is defective 2. Flame generation contacts dirty/obstructed	1. Call a qualified service technician to replace flame motor 2. Disconnect power. Follow steps to replace flame generation LED. Clean contacts with dry cloth.
Remote control does not work	1. Low batteries 2. Not aiming control correctly 3. Defective remote control and/or sensor	1. Replace AAA batteries in remote control 2. Aim control at sensor located directly behind glass screen in center of unit just above logs 3. Replace remote control and/or sensor
Fireplace will not come on when switch is flipped to ON	1. Control failure 2. Breaker tripped	1. Call a qualified service technician to replace control 2. Reset breaker
Heater does not provide heat when turned on	1. Thermal switch has been tripped 2. Circuit breaker has been tripped 3. Wiring is loose 4. Heater is defective 5. Thermostat cycled off	1. Turn unit off. Turn off power to unit for 5 minutes. Turn power and unit on. 2. Turn off circuit breaker that supplies electricity to unit. Wait 5 minutes then flip circuit breaker back on 3. Disconnect from power source and inspect wiring for loose connections and repair or replace if necessary 4. Replace heater 5. Change to higher setting

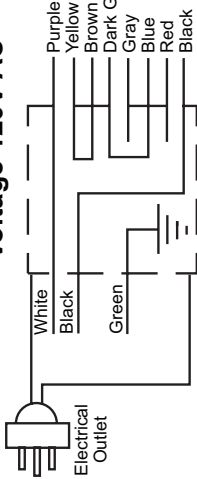
WIRING DIAGRAM

Junction Box Voltage 240V AC

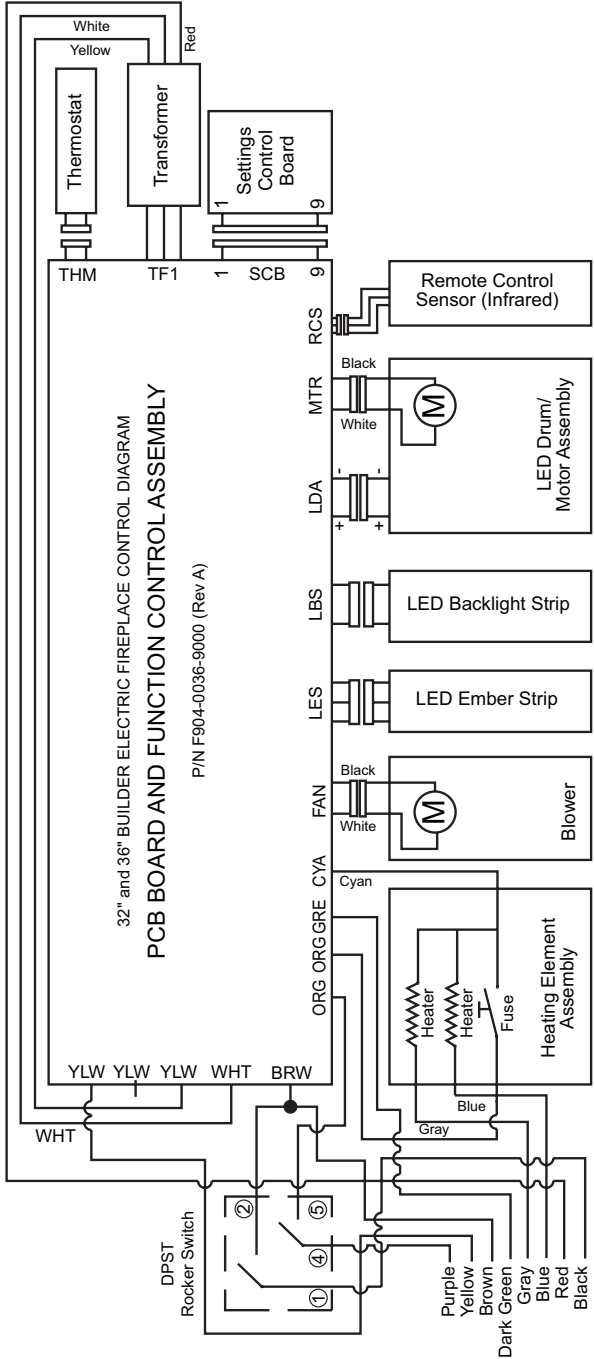


WARNING
Cover all unused wires with tape and install wire nuts. Unplug unit before servicing.

Junction Box Voltage 120V AC



Note:
YLW: Yellow
CYA: Cyan
BRW: Brown
WHT: White
BLK: Black
ORG: Orange
GRE: Dark Green



ACCESSORIES

Purchase these accessories from your local dealer. If they can not supply these accessories, either contact your nearest Parts Central or call FMI PRODUCTS, LLC at 1-866-328-4537 for information. You can also write to the address listed on the back

page of this manual.

MANTELS

W32TU - 32" Wall Mantel, Unfinished, Traditional

W32TO - 32" Wall Mantel, Oak Stain, Traditional

C32TU - 32" Corner Mantel, Unfinished, Traditional

C32TO - 32" Corner Mantel, Oak Stain, Traditional

W32CO - 32" Wall Mantel, Oak Stain, Classic

C32CO - 32" Corner Mantel, Oak Stain, Classic

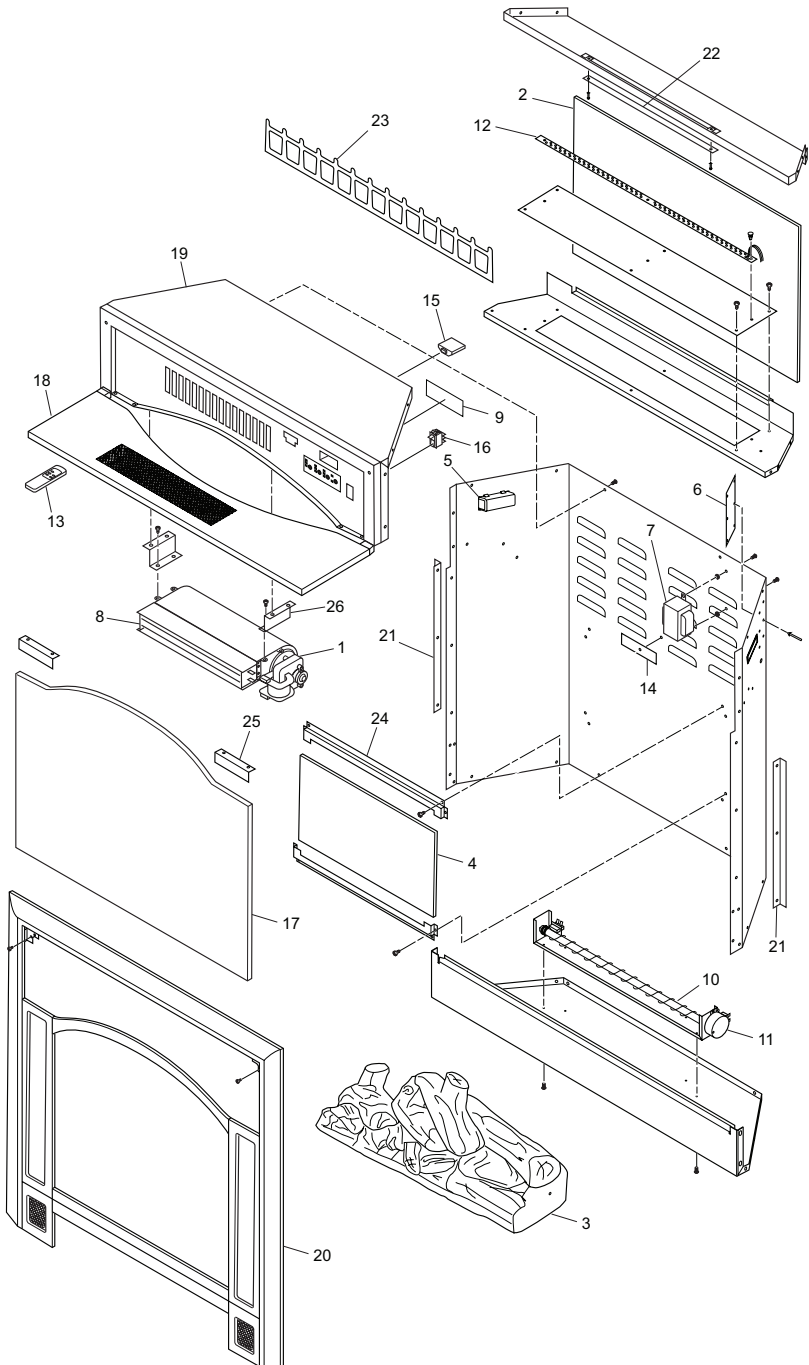
W32DO - 32" Wall Mantel, Oak Stain, Dentil

W32GO - 32" Wall Mantel, Oak Stain, Georgian

C32GO - 32" Corner Mantel, Oak Stain, Georgian

PARTS

MODEL ES401



PARTS

MODEL ES401

This list contains replaceable parts used in your fireplace. When ordering parts, follow the instructions listed under Replacement Parts on page 12 of this manual.

KEY			
NO.	PART NO.	DESCRIPTION	QTY.
1	120928-43	Blower	1
2	120928-06	Rear Glass (Screen)	1
3	120928-05	Log Set	1
4	120928-07	Flame Effect Mirror	1
5	120927-08	Handles	2
6	120928-26	Main Control Board and Standoffs (5)	1
7	120928-27	Transformer	1
8	120928-42	Heater	1
9	120927-12	Settings Control Board	1
10	120928-13	LED Drum Assembly	1
11	120927-14	Motor (Drum)	1
12	120927-15	LED Ember Strip	1
13	120927-20	Remote Control	1
14	120927-21	Remote Control Sensor	1
15	120926-32	Magnetic Catch	1
16	120927-24	ON/OFF Switch	1
17	120928-03	Front Glass	1
18	120928-02	Control Panel Door (Black)	1
19	120928-25	Top (Black)	1
20	120928-01	Front Trim	1
21	122660-01	Nailing Flange Bracket	2
22	120927-16	Back Light Strip	1
23	120928-40	Grate	1
24	120928-44	Flame Effect Mirror Bracket	2
25	120928-45	Front Glass Bracket	2
26	120928-46	Heater/Blower Bracket	2
PARTS AVAILABLE NOT SHOWN			
	120928-17	Wire (Flame Effect)	1
	120928-18	Wire (Ember Bed)	1
	120928-19	Wire (Backlight)	1
	120927-23	Thermocouple	1

WARRANTY

KEEP THIS WARRANTY

Model (located on product or identification tag) _____

Serial No. (located on product or identification tag) _____

Date Purchased _____

Keep receipt for warranty verification.

FMI PRODUCTS, LLC LIMITED WARRANTIES

New Products

Standard Warranty: FMI PRODUCTS, LLC warrants this new product and any parts thereof to be free from defects in material and workmanship for a period of two (2) years from the date of first purchase from an authorized dealer provided the product has been installed, maintained and operated in accordance with FMI PRODUCTS, LLC's warnings and instructions.

For products purchased for commercial, industrial or rental usage, this warranty is limited to 90 days from the date of first purchase.

Factory Reconditioned Products

Limited Warranty: FMI PRODUCTS, LLC warrants factory reconditioned products and any parts thereof to be free from defects in material and workmanship for 30 days from the date of first purchase from an authorized dealer provided the product has been installed, maintained and operated in accordance with FMI PRODUCTS, LLC's warnings and instructions.

Terms Common to All Warranties

The following terms apply to all of the above warranties:

Always specify model number and serial number when contacting the manufacturer. To make a claim under this warranty the bill of sale or other proof of purchase must be presented.

This warranty is extended only to the original retail purchaser when purchased from an authorized dealer, and only when installed by a qualified installer in accordance with all local codes and instructions furnished with this product.

This warranty covers the cost of part(s) required to restore this product to proper operating condition and an allowance for labor when provided by a FMI PRODUCTS, LLC Authorized Service Center or a provider approved by FMI PRODUCTS, LLC. Warranty parts must be obtained through authorized dealers of this product and/or FMI PRODUCTS, LLC who will provide original factory replacement parts. Failure to use original factory replacement parts voids this warranty.

Travel, handling, transportation, diagnostic, material, labor and incidental costs associated with warranty repairs, unless expressly covered by this warranty, are not reimbursable under this warranty and are the responsibility of the owner.

Excluded from this warranty are products or parts that fail or become damaged due to misuse, accidents, improper installation, lack of proper maintenance, tampering, or alteration(s).

This is FMI PRODUCTS, LLC's exclusive warranty, and to the full extent allowed by law; this express warranty excludes any and all other warranties, express or implied, written or verbal and limits the duration of any and all implied warranties, including warranties of merchantability and fitness for a particular purpose to two (2) years on new products and 30 days on factory reconditioned products from the date of first purchase. FMI PRODUCTS, LLC makes no other warranties regarding this product.

FMI PRODUCTS, LLC's liability is limited to the purchase price of the product, and FMI PRODUCTS, LLC shall not be liable for any other damages whatsoever under any circumstances including indirect, incidental, or consequential damages.

Some states do not allow limitations on how long an implied warranty lasts or the exclusion or limitation of incidental or consequential damages, so the above limitation or exclusion may not apply to you.

This warranty gives you specific legal rights, and you may also have other rights which vary from state to state.

For information about this warranty contact:


FMI PRODUCTS, LLC
2701 S. Harbor Blvd.
Santa Ana, CA 92704
1-866-328-4537
www.fmiproducts.com

122638-01
Rev. E
09/09