

Transitions

Car Camcorder



x700w

User's Manual

Routing the power cable



Connect the power cable to the device.



Open up the sun visor.



Loop the power cable over the sun visor.



Remove the A-pillar to hide the cable.

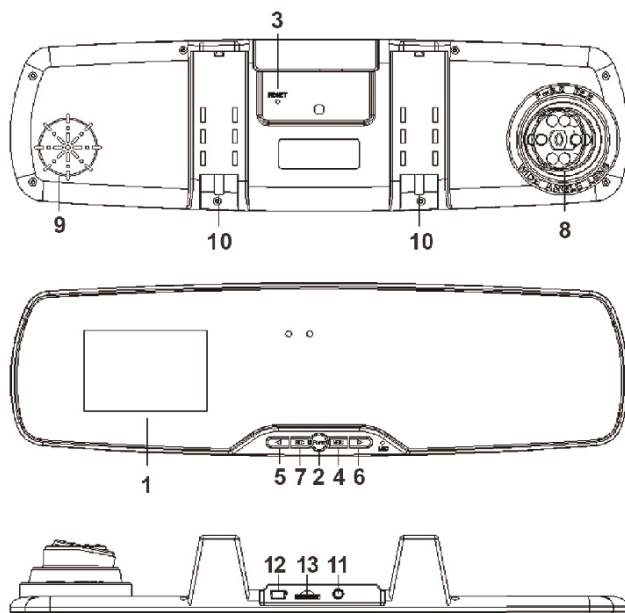


Route the cable through top ceiling, A-pillar and underneath the floor mat to the cigar lighter.

【Installation Image】



Product Components



- | | |
|-----|---------------------------------|
| 1. | 2.7" Display Screen |
| 2. | Power : Power / Mode |
| 3. | Reset |
| 4. | MENU : Menu |
| 5. | ◀ : Up |
| 6. | ▶ : Down |
| 7. | REC : Record / Stop / OK |
| 8. | Lens |
| 9. | Speaker |
| 10. | Clip |
| 11. | AV Out Jack |
| 12. | USB Port |
| 13. | Memory Card Slot |

Function

Resolution: 1080P
 Loop Recording: Off / 3 / 5 / 10 Minutes
 WDR: On / Off
 Exposure: +2~-2
 Motion Detection: On / Off
 Record Audio: On / Off
 Date Stamp: On / Off
 G-Sensor: Off / High / Medium / Low

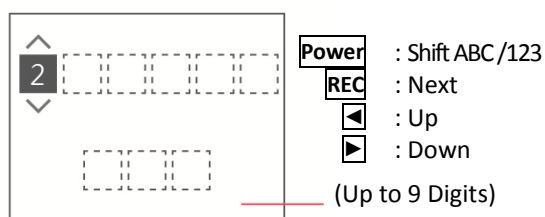
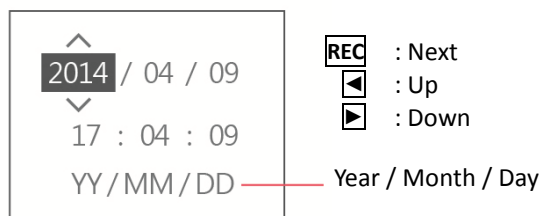
Specification

Processor/Optical Sensor: Novatek 96650 / AR0330
 Field of View: 120°
 Aperture: F1.8
 Video Format: MOV
 Video Compression: H.264
 Storage Media: Micro SD (up to 32GB)
 Built-in Battery: Available
 Power Supply: Car Charger
 Dimension: 303 x 80 x 12 (mm)
 Weight: 280g (approximately)

Configuration Settings

Date/Time: Adjustable
 Car No: Off / ABC / 123
 Auto Power-Off: On / Off
 Beep Sound: On / Off
 Language: English / Traditional Chinese / Simplified Chinese / Russian / Japanese / French / Spanish / Portuguese / Deutsch / Italian
 TV Mode: NTSC / PAL
 Frequency: 50Hz / 60Hz
 Lamp Setting: On / Off
 Backlight: Off / 1 / 3 / 5 Minutes
 Format: SD Card > Cancel / OK
 Default: Cancel / OK

Date/Time Setup



Operation Instructions

Charging the device

With a rechargeable Li-ion battery built in the device, you have two power options to charge the car camcorder:

- (1) Connect with a 12V car charger.
- (2) Using USB cable to connect computer and the device.

Note: Use the dedicated charger for the device. Only use power supply with 5V output. Using the output voltage higher than 5V may damage the device.

Power On/Off

Press **Power** to turn on the device; hold **Power** pressed down for 3 seconds to turn off.

Settings

Operation Preference: Video Mode / Still Mode / Play Back Mode

The device has 3 operation modes: Video Mode, Still Mode and Play Back Mode.

Press **Power** to switch modes looping circularly. Then press **Menu** to enter into the menu of options to set your operation preference for each mode. Press **◀** or **▶** to move cursor to the options. Press **REC** to confirm any change. After setup, press **Menu** twice to exit.

Configuration Preference: Setup

In any mode, press **Menu** twice to enter into the [Setup] menu. After setup, once again press **Menu** to exit.

Video Recording

The device will enter into default video mode when turned on. Press **REC** directly to start/stop the recording.

Photo Shooting

Press **Power** to switch to the still mode; then press **REC** to capture a still image.

Play Back

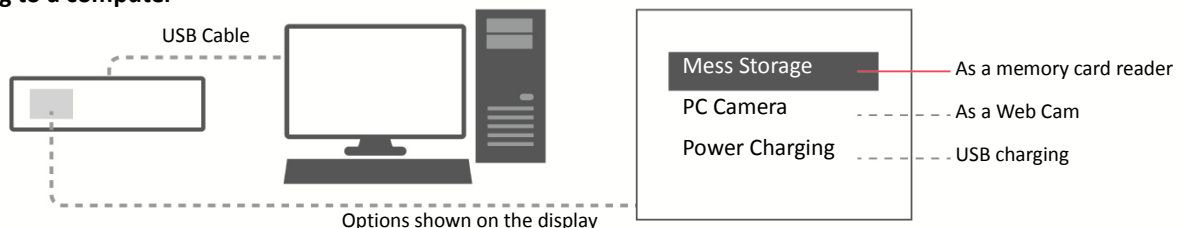
Press **Power** to switch to the play back mode.

Press **◀** or **▶** to select the previewed file; then press **REC** to play/pause the video.

File Protection

- (1) In play back mode, press **Menu** to enter into the [Play Back] menu to lock/unlock the previewed file. A key indication shows on the display for protected files. Any locked file will not be overwritten until it is unlocked.
- (2) G SENSOR
When detecting an impact or collision, it automatically starts to record prior and after the event. The recording file will be locked and saved automatically.
- (3) SOS Manual File Protection
Press **Power** to protect the file while recording. When a key indication appears on the display, this indicates that the recording video has been protected.

Connecting to a computer



Contact Info

Kae-Terng Co., Ltd.

4F., No. 31, Ln. 74, Sec. 2, Ziqiang Rd.
Sancong Dist., New Taipei City 241, Taiwan
Tel: +886-2-2987-5967 Fax: +886-2-2980-7582
<http://www.transitions-tech.com.tw/>

Accessories

User's Manual x 1
USB Cable x 1
AV Cable x 1
Car Charger (12V to 5V) x 1