



Operating Manual

A 4586 Paging Console



A 4586 OVERVIEW

The A 4586 paging console provides up to 16 zones of paging to the A 4585 audio switcher.

The consoles can be used for multi zone paging with the facility to store and recall multiple zones to a single button. The recall functions can also be labelled via a USB - PS2 compatible keyboard which can be plugged into the rear of the unit. The labels will then be displayed on the highly functional and attractive LCD.

A maximum of 8 paging consoles can be connected to the A 4585 at the same time. These work in a "first in, best dressed" arrangement. The consoles can be cascaded together or wired back to the A 4585.

Each unit must be assigned an ID number through DIP switch settings on the rear of the unit.

A pre-announcement chime is available at the paging console and through the PA system. Both of these are set by DIP switches on the rear of the unit.

Features

- Multi zone paging.
- Recall multiple zones with a single button press.
- Keyboard entry labelling of recall zones.
- LCD for indicating zone selections.
- Pre-announcement chime.
- Emergency override paging to all zones.

Distributed by Altronic Distributors Pty. Ltd.
Phone: 1300 780 999 Fax: 1300 790 999 Internet: www.altronics.com.au

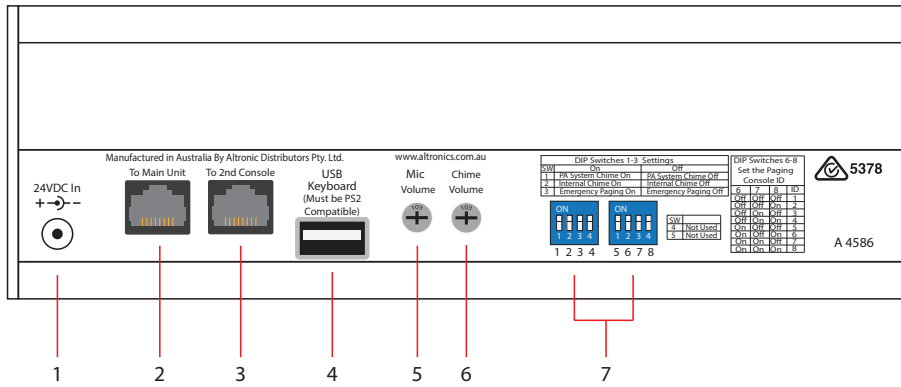


Fig 1

- 1 24V DC connector**
2.1mm DC jack (centre pin positive).
- 2 RJ45 connector**
For connection back to the A 4585.
- 3 Cascade paging connector**
Secondary RJ45 socket for cascading a second console.
- 4 USB - PS2 compatible keyboard input.**
Use the keyboard to record labels for saved store functions.
- 5 Microphone volume**
Use this volume to adjust the microphone level.
- 6 Chime volume**
Use this volume to adjust the chime level.
- 7 DIP switch options**
These switches set the chime and emergency paging on or off and also assign a location number or ID to the console.

DIP Switches 6-8 Set the Paging Console ID			
6	7	8	ID
Off	Off	Off	1
Off	Off	On	2
Off	On	Off	3
Off	On	On	4
On	Off	Off	5
On	Off	On	6
On	On	Off	7
On	On	On	8

Table 1

1.0 DIP Switch Settings

A series of DIP switches which are accessed on the rear of the unit provide a number of options. DIP switch 1 sets the PA system chime on or off. DIP switch 2 sets the internal chime on or off. DIP switch 3 sets the emergency paging on or off (Note: The emergency paging is only active when the A 4585 receives external emergency tones). DIP switches 4&5 are not used. DIP switches 6-8 select the ID number for the console. Table1 shows the ID settings.

A maximum number of 8 consoles can be connected to the A 4585.

2.0 Connecting the paging consoles

The consoles are connected to the A 4585 via standard Cat5e cabling as shown in Fig 2. The maximum distance between the A 4585 and a paging console is 300m. Note that each paging console must be assigned an ID number before operation (see DIP switch settings). A maximum of eight consoles can be connected at one time but only used in certain configurations. There are four RJ45 ports on the back of the A 4585 which can be used to connect the A 4586 paging consoles. Each port can accommodate a maximum of 1 paging console without the aid of external power supplies. Fig 2 shows how to connect one paging console per RJ45 port.

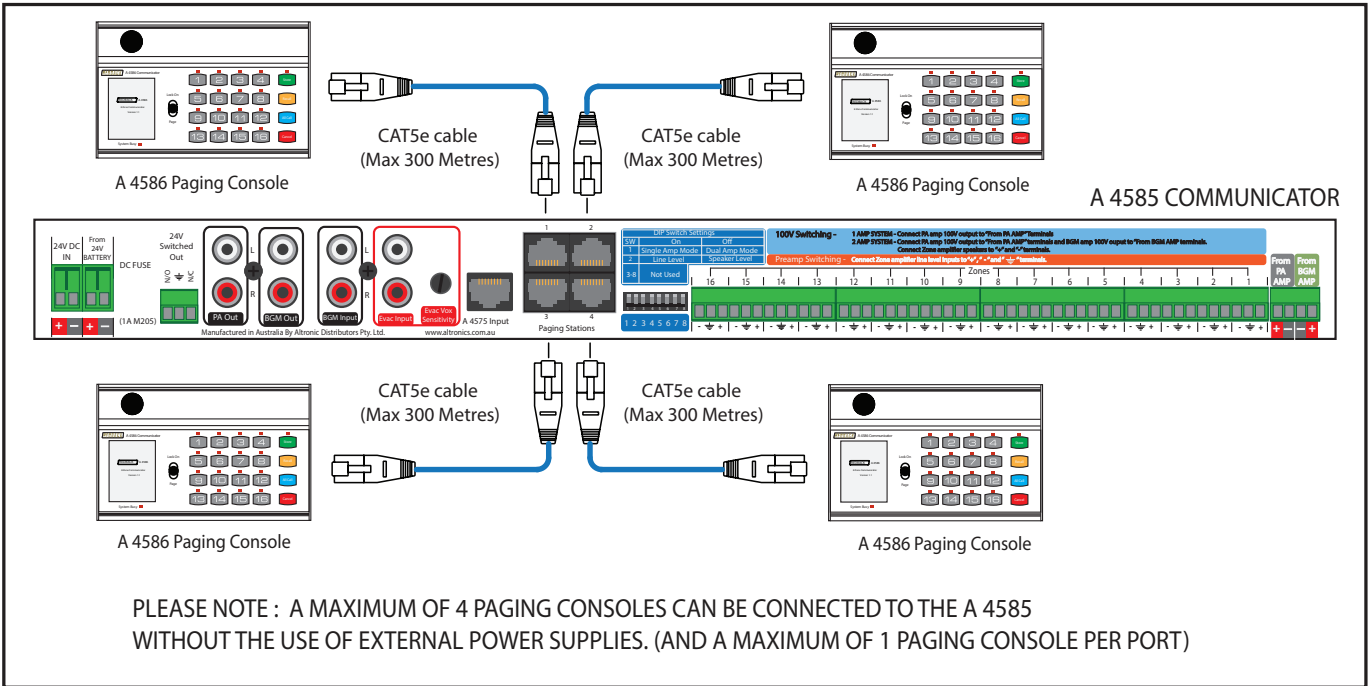


Fig 2

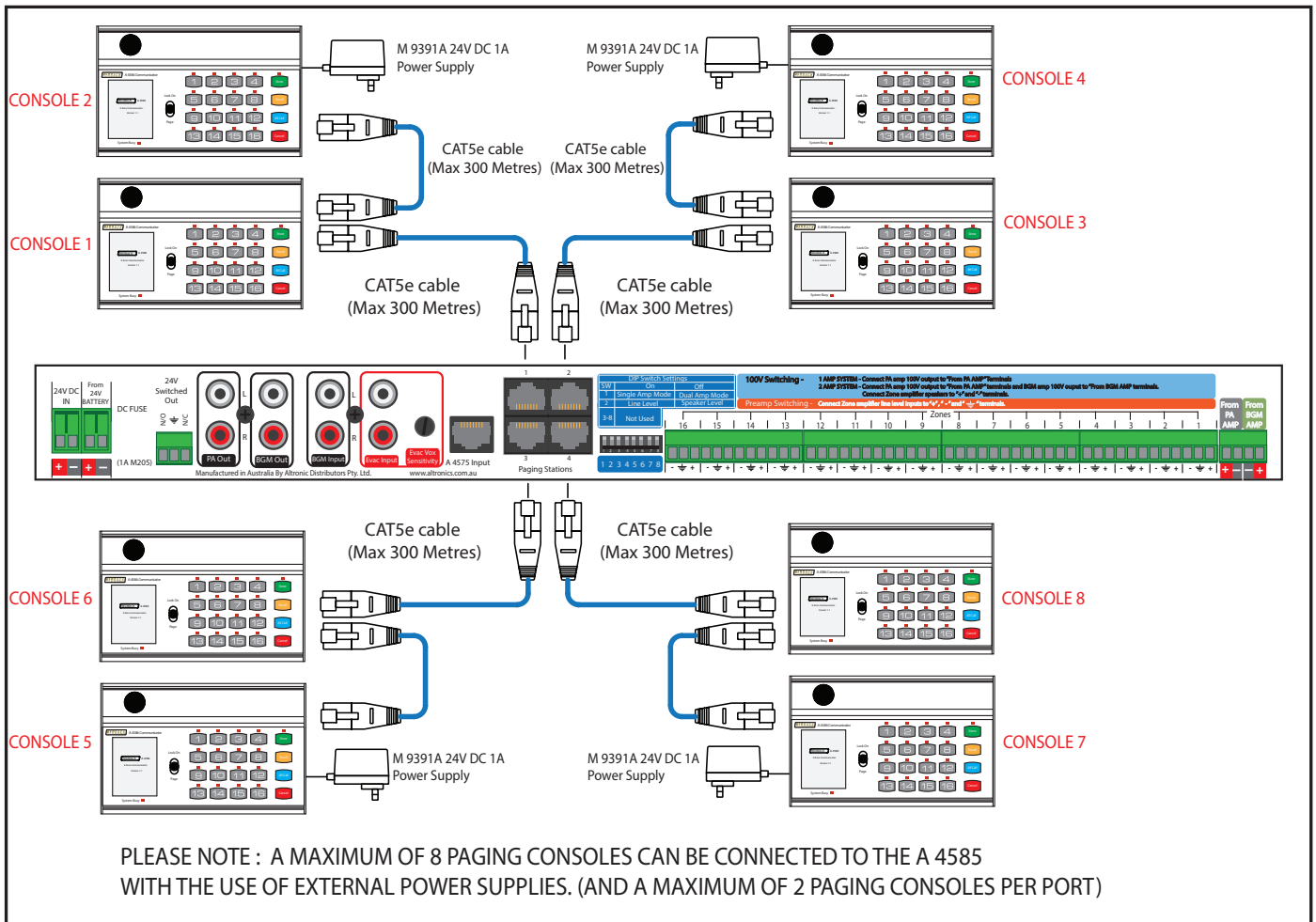


Fig 3

3.0 Cascading the paging consoles

If more than 4 paging consoles are required the consoles can be cascaded together with the addition of external power supplies. Fig 3 shows how to connect eight paging consoles at once. In this fig, consoles 1-2 are connected to Port 1, consoles 3-4 to port 2, consoles 5-6 to port 3 and consoles 7-8 are connected to Port 4. Please note: A maximum of 2 paging consoles can be connected per RJ45 port on the A 4585. Each additional paging console has a dedicated power supply and the Cat5e cable run can be no longer than 300m.

4.0 Multi-zone paging

Paging is achieved by pressing the numbered button of the zone required. The button will illuminate. Hold down the page switch and speak into the microphone. Note: a zone with a fast flashing LED has general paging blocked. To page to multiple zones, press the buttons for the desired zones. Multiple buttons will illuminate. Hold down the page switch and speak into the microphone.

5.0 Zone Lockout

General paging can be blocked to any zones via the paging console. To block paging to a zone from the A 4586, hold down the desired zone button until a message on the LCD indicates the zone is blocked out. Release the button to resume. To unlock the zone, repeat the procedure. NOTE: This will only lock out zones for use from the console that the zones were locked out from. It will not lock out the same zones from other paging consoles.

6.0 Store & recall groups of zones

Two function keys labelled store and recall may be used to program groups of zones into a single number recall, just as your telephone might have a "quick dial" memory function.

To store a group of zones

First press the store button on the paging console. Then select the zones you wish to group together. Once the desired zones are selected, press store again. You can now assign a group number using the numbered buttons (1 to 8). If you have previously stored a group of zones in the memory, these buttons will illuminate. Press store to complete the process.

Note that you may select one of the previously stored group numbers, however this will overwrite the existing stored zone selections.

The screen will now prompt you to label your stored group of zones. This allows quick visual feedback to the user when selecting groups of zones, examples of labels might include: All W/house, Bar&Lobby, Sales&Yard etc. Plug in a standard USB PS2 compatible keyboard (Altronics D 2111) into the rear of the A 4586 paging console and type in your desired label. The maximum label length is 10 characters. Press backspace to delete letters. Hold down the shift key for capital letters. Press return (enter) when finished.

If a zone label is not required, press cancel to complete the process of storing a group of zones.

Note: if the keyboard is not operational, it may need to be unplugged and connected again.

To recall zones

Press the recall button. Any buttons which are programmed with groups of zones will illuminate. If any of these groups were given a label then these will show on the LCD.

Select one of the illuminated buttons to recall. The zones stored in this group will then illuminate automatically.

Hold down the page (PTT) switch and speak into the microphone. Press cancel when finished or the unit will time out automatically after ~15 seconds.

7.0 Paging Console Busy

If the system has more than two A 4586 paging consoles connected there will be times when both units may be needed at the same time. If one of the paging consoles is in use the second console will be notified and the busy LED will illuminate and the LCD will display a system busy notice.