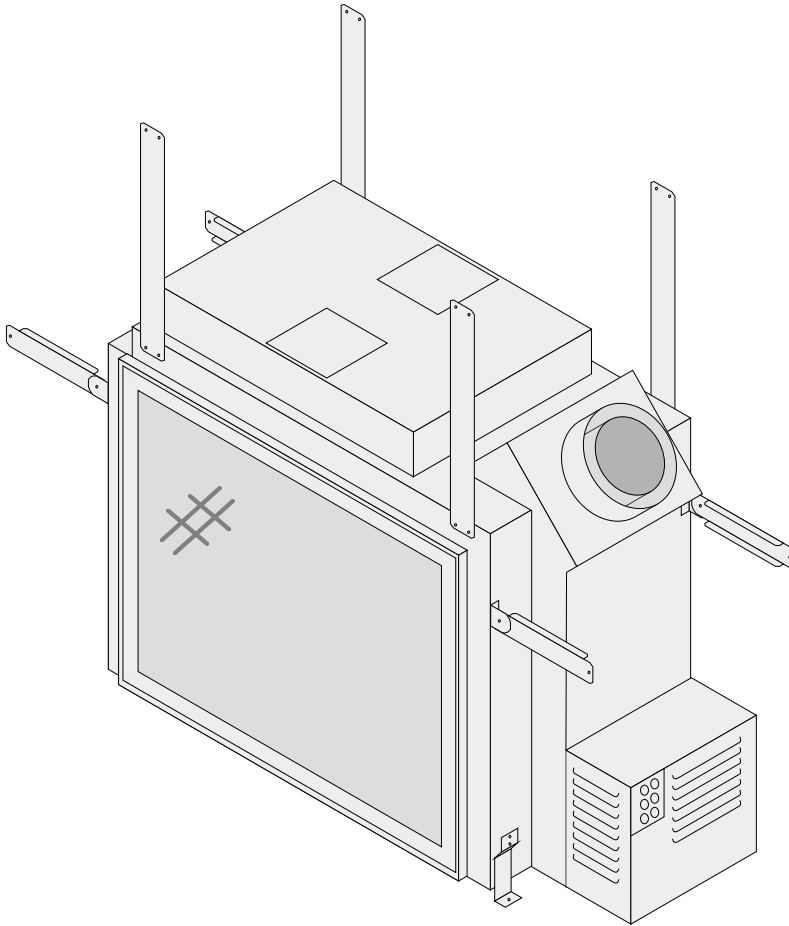


# 36 CF ST/Pier Gas Fireplace



Tested and Listed by



OMNI-Test Laboratories, Inc.  
Portland, Oregon  
Report # 028-F-87-5  
ANSI Z21.88a-2007

- **Built-In Direct Vent Fireplace**
- **Natural Gas or Propane**
- **Residential or Mobile Home**
- **Bedroom Approved**

**WARNING:** If the information in these instructions is not followed exactly, a fire or explosion may result causing property damage, personal injury or loss of life.

- Do not store or use gasoline or other flammable vapors and liquids in the vicinity of this or any other appliance.

#### **WHAT TO DO IF YOU SMELL GAS**

- Do not try to light any appliance.
- Do not touch any electrical switch; do not use any phone in your building.
- Immediately call gas supplier from a neighbor's phone. Follow the gas supplier's instructions.
- If you cannot reach your gas supplier, call the fire department.
- Installation and service must be performed by a qualified installer, service agency or the gas supplier.

This appliance may be installed in an aftermarket permanently located, manufactured home (USA only) or mobile home, where not prohibited by local codes.

This appliance is only for use with the type(s) of gas indicated on the rating plate. A conversion kit is supplied with the appliance.

## Installation Manual



**TRAVIS INDUSTRIES  
HOUSE OF FIRE**

[www.travisproducts.com](http://www.travisproducts.com)

**Installer:** After installation give this manual to the homeowner and explain operation of this heater.

© Copyright 2009, T.I.

\$10.00

100-01212\_000

4090102

4800 Harbour Pointe Blvd. SW  
Mukilteo, WA 98275

**Overview**

This manual details the installation requirements for the 36 CF ST and Pier fireplace. For operating and maintenance instructions, refer to the 36 CF ST/Pier Owner's Manual (part # 100-01213).

**Listing Details**

This appliance was listed by OMNI Test Labs to ANSI Z21.88 - report # 028-F-87-5. The listing label is attached to the appliance near the gas control valve. A copy is shown to the right.

**ICBO Approval**

This appliance was listed by OMNI-Test Laboratories - ICBO # TL130.

**Massachusetts Approval**

This manual has been submitted to the Massachusetts Board of State Examiners of Plumbers and Gas Fitters

**National Fireplace Institute**



We suggest that our gas hearth products be installed and serviced by professionals who are certified in the U.S. by the National Fireplace Institute® (NFI) as NFI Gas Specialists.

**36 CF ST / Pier**  
Vented Gas Fireplace Heater

Tested to: ANSI Z21.88-2007/CSA 2.23-2007 "Vented Gas Fireplace Heater", CGA 2.17-491, UL 307B-1995 "Gas Burning Heating Appliances for Manufactured Homes", and CSA P4-102.  
This appliance must be installed in accordance with local codes, if any; if none, follow the National Fuel Gas Code, ANSI Z223.1/NFPA 54, or Natural Gas and Propane Installation Codes, CSA B149.1.  
This appliance must be installed in accordance with the current Standard CAN/CSA Z240 MH, Mobile Housing, in Canada or with the Manufactured Home Construction and Safety Standard, Title 24CFR, Part 3280, in the United States, or when such a standard is not applicable, ANSI/CSBCS A225.1/NFPA 501A, Manufactured Home Installation Standard.  
This vented gas fireplace heater is equipped at the factory for use with natural gas. If conversion to propane (LP) is desired, the optional factory conversion kit must be used.  
This appliance is only for use with the type of gas indicated on the rating plate and may be installed in an aftermarket, permanently located, manufactured (mobile) home (USA only) where not prohibited by local codes. See manual for details. This appliance is not convertible for use with other gases, unless a certified kit is used.  
Keep burner and control compartment clean. See installation and operating instructions accompanying appliance.  
This appliance must be properly connected to a venting system in accordance with the manufacturer's installation instructions. Use only approved coaxial direct vent system to vent this appliance to the exterior. See manual for approved brands of venting.  
WARNING: Improper installation, adjustment, alteration, service or maintenance can cause injury or property damage. Refer to the manual provided with this appliance. For assistance or additional information consult a qualified installer, service agency or the gas supplier.

**Minimum Clearances to Combustibles**

Fireplace to Adjacent Wall .....	12.0" (305mm)		Top to Enclosure .....	37.5" (953mm)
Wood Floor Beneath Fireplace .....	0.0" (0mm)		Header (from stand-offs) .....	0" (0mm)
Back to Enclosure .....	9.0" (229mm)		Base of Fireplace to a 12" Mantel (see manual for other details) .....	49.5" (1258 mm)

<b>Input Rate on "HI" (BTU/Hr).....</b>	<b>L.P.</b>	<b>N.G.</b>	<b>Minimum Inlet Pressure (inches W.C.).....</b>	<b>L.P.</b>	<b>N.G.</b>
<b>Input Rate on "LO" (BTU/Hr).....</b>	27,000	58,000	<b>Maximum Inlet Pressure (inches W.C.).....</b>	11"	5.5"
		27,000	<b>Manifold Pressure on "HI" (inches W.C.) .....</b>	10"	3.5"


For natural gas when equipped with the following drill size orifice: DMS #32 Center, #52 Sides  
For propane when equipped with the following drill size orifice: DMS #52 Center, #56 Sides  
This appliance is equipped for use only at altitudes 0-2,000 feet (0-610 m). In Canada 0-4500 feet (0-1370 m).  
For altitudes above 2,000 feet, the vent configuration, orifice, or combination of both may need to be changed.  
See the manual for information on making these changes.

**VENTED GAS FIREPLACE HEATER – NOT FOR USE WITH SOLID FUEL**

**CAUTION:** Hot while in operation. Do not touch. Severe burns may result. Keep children, clothing, furniture, gasoline and other liquids having flammable vapors away. Do not operate this appliance with glass removed, cracked or broken. Replacement of the panel(s) should be done by a licensed or qualified service person.

Manufacture:  2009  2010  2011

Date:  Jan.  Feb.  Mar.  Apr.  May  Jun.  Jul.  Aug.  Sep.  Oct.  Nov.  Dec.



**TRAVIS INDUSTRIES**  
**HOUSE OF FIRE**  
www.travisproducts.com  
4800 Harbour Pointe Blvd, SW Mukilteo, WA 98275

© Travis Industries

4090102

100-01212\_000

## Introduction

Overview.....	2
Listing Details.....	2

## Safety Precautions

Safety Precautions.....	4
-------------------------	---

## Features and Specifications

Installation Options.....	6
Specifications.....	6
Dimensions.....	6

## Installation

Packing List.....	7
Additional Items Required.....	7
Recommended Installation Procedure.....	7
Massachusetts Requirements.....	8
Preparing the Fireplace Stand-offs.....	9
Fireplace Placement Requirements.....	10
Clearances.....	10
Raised Fireplaces.....	10
Minimum Framing 36 CF ST (See Through).....	11
Framing Dimensions – 36 CF Pier.....	12
Attaching Stand-Offs to Framing.....	13
Required Electrical Connection.....	14
Battery Pack / Learn Switch Installation.....	15
Steps for Installing the Battery Box and Learn Switch.....	16
Battery Installation.....	16
Remote Synchronization.....	17
Gas Line Requirements.....	18
Gas Line Connection.....	18
Gas Inlet Pressure.....	18

## Installation (continued)

Vent Requirements.....	19
Approved Vent.....	19
Altitude Considerations.....	19
Vent Clearances.....	20
Vent Installation.....	19
Approved Vent Configurations:	
Exhaust Restrictor Adjustment.....	21
Vent Location.....	21
Rear Vent, Horz. Term. (1 45° Elbow).....	22
Rear Vent, Horz. Term. (1 45°, 2 90° Elbows).....	23
Rear Vent, Horz. Term. (1 45°, 4 90° Elbows).....	24
Rear Vent, Vert. Term. (1 45°, 3 90° Elbows).....	25
Top Vent, Horz. Term. (1 45°, 1 90° Elbow).....	26
Top Vent, Horz. Term. (1 45°, 3 90° Elbows).....	27
Top Vent, Vert. Term. (1, 3, or 5 45° Elbows).....	28
Top Vent, Vert. Term. (1 45°, 2 90° Elbows).....	29
Termination Requirements.....	30
Hearth Requirements.....	31
Hearth Requirements – Recessed Hearth.....	32
Facing Requirements.....	33
Non-Combustible Facing.....	34
Mantel Requirements.....	35

## Finalizing the Installation

Steps for Finalizing the Installation.....	36
Air Shutter Adjustment.....	37
Glass Frame Removal and Installation.....	38
Log Set Installation.....	39
LP Conversion Instructions.....	43
Power Heat Duct Installation.....	47
Andiron Installation.....	47

## Index

Index.....	48
------------	----

## ***Safety Warnings:***

---

- Failure to follow all of the requirements may result in property damage, bodily injury, or even death.
- This unit must be installed by a qualified installer to prevent the possibility of an explosion.
- This appliance must be installed in accordance with all local codes, if any; if not, in U.S.A. follow ANSI Z223.1 and NFPA 54(88).
- A manufactured home (USA only) or mobile home OEM installation must conform with the Manufactured Home Construction and Safety Standard, Title 24 CFR, Part 3280, or, when such a standard is not applicable, the Standard for Manufactured Home Installations, ANSI/NCSCS A225.1, or Standard for Gas Equipped Recreational Vehicles and Mobile Housing, CSA Z240.4. This appliance may be installed in Manufactured Housing only after the home is site located.
- All exhaust gases must be vented outside the structure of the living-area. Combustion air is drawn from outside the living-area structure. The venting must not be connected to a chimney flue serving a separate solid-fuel burning appliance.
- Notify your insurance company before hooking up this fireplace.
- The room heater should be inspected before use and at least annually by a qualified service person. More frequent cleaning may be required due to excessive lint from carpeting, bedding material, etc.
- The instructions in this manual must be strictly adhered to. Do not use makeshift methods or compromise in the installation. Improper installation will void the warranty and safety listing.
- This heater is approved for use with natural gas (NG) or propane (LP). Burning the incorrect fuel will void the warranty and safety listing and may cause an extreme safety hazard. Direct questions about the type of fuel used to your dealer. Check the label and flame adjust knob on the gas control valve.
- Contact your local building officials to obtain a permit and information on any installation restrictions or inspection requirements in your area.
- If the flame becomes sooty, dark orange in color, or extremely tall, do not operate the heater. Call your dealer and arrange for proper servicing.
- It is imperative that control compartments, screens, or circulating air passageways of the heater be kept clean and free of obstructions. These areas provide the air necessary for safe operation.
- Do not operate the heater if it is not operating properly in any fashion or if you are uncertain. Call your dealer for a full explanation of your heater and what to expect.
- Do not store or use gasoline or other flammable liquids in the vicinity of this heater.
- Do not operate if any portion of the heater was submerged in water or if any corrosion occurs.
- Do not place clothing or other flammable items on or near the heater. Because this heater can be controlled by a thermostat there is a possibility of the heater turning on and igniting any items placed on or near it.
- Light the heater using the built-in igniter. Do not use matches or any other external device to light your heater.
- Never remove, replace, modify or substitute any part of the heater unless instructions are given in this manual. All other work must be done by a trained technician. Don't modify or replace orifices.
- The viewing glass should be opened only for conducting service.
- Any safety screen or guard removed for servicing must be replaced prior to operating the heater.

## ***Safety Warnings (continued):***

---

- Allow the heater to cool before carrying out any maintenance or cleaning.
- Operate the heater according to the instructions included in this manual.
- If the main burners do not start correctly turn the gas off at the gas control valve and call your dealer for service.
- This unit is not for use with solid fuel.
- Do not place anything inside the firebox (except the included logs).
- If the fiber logs become damaged, replace with Travis Industries log set.
- Do not throw this manual away. This manual has important operating and maintenance instructions that you will need at a later time. Always follow the instructions in this manual.
- Do not touch the hot surfaces of the heater. Educate all children of the danger of a high-temperature heater. Young children should be supervised when they are in the same room as the heater.
- Due to the high temperature, the heater should be located out of traffic and away from furniture and draperies.
- Instruct everyone in the house how to shut gas off to the appliance and at the gas main shutoff valve. The gas main shutoff valve is usually next to the gas meter or propane tank and requires a wrench to shut off.
- **Travis Industries, Inc. grants no warranty, implied or stated, for the installation or maintenance of your heater, and assumes no responsibility of any consequential damage(s).**

**Installation Options**

- Residential or Mobile Home
- Flush or Recessed Face
- Raised or Floor Placement
- Horizontal or Vertical Vent
- Bedroom Approved

**Specifications**

	<b>Natural Gas</b>	<b>Propane</b>
Maximum BTU Input Per Hour	58,000	58,000
Minimum BTU Input on Low	27,000	27,000

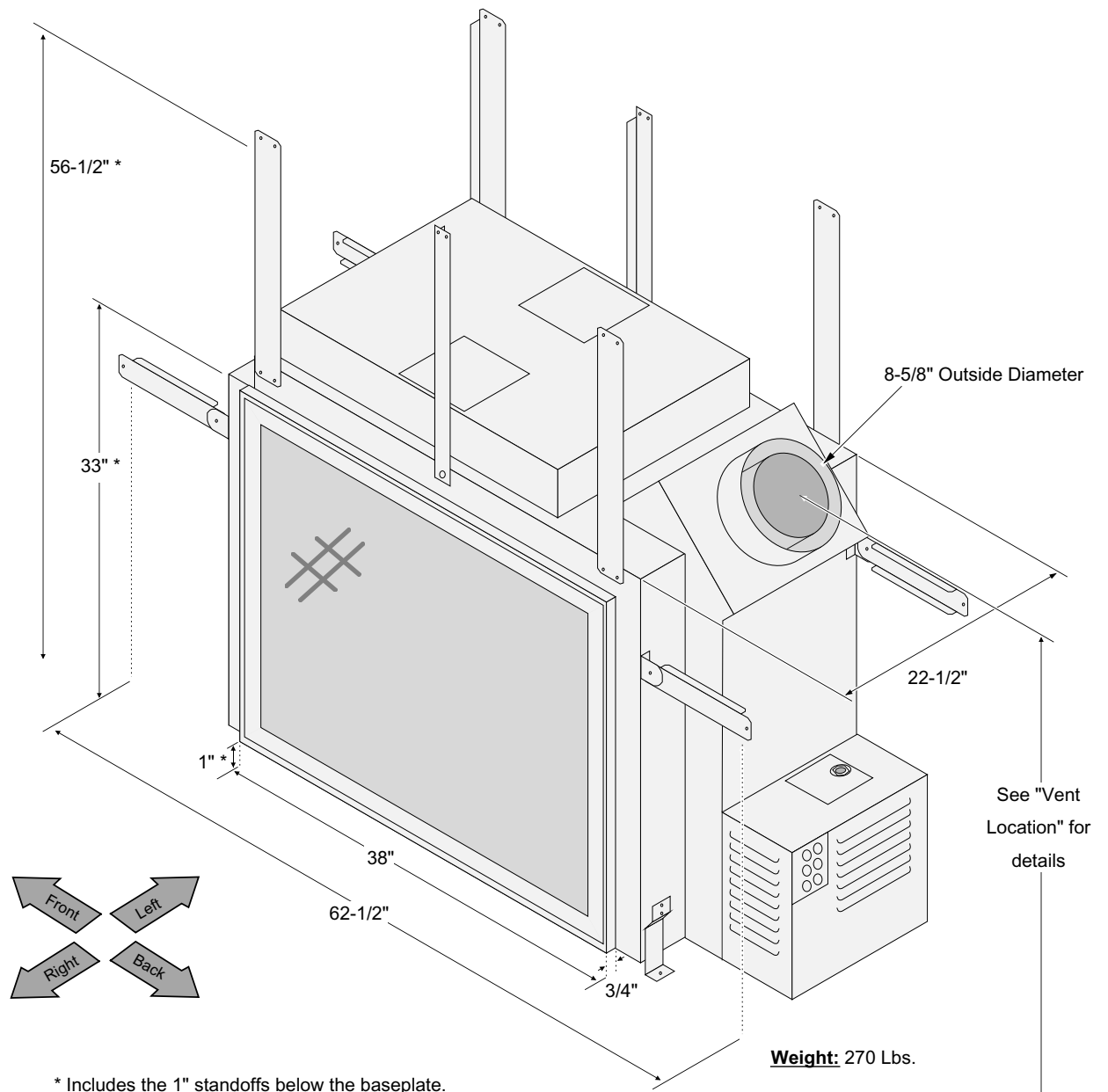
**Dimensions**

Figure 2

## ***Packing List***

---

- Glass LatchTool
- Log Set with Embers and Rock Wool
- Remote Control with Wall Mount
- LP Conversion Kit (2 orifices and 1 rate screw)
- Battery Box
- Learn Switch with 12' Battery Box Wire
- Andiron Brackets (4)
- Fiber Board

## ***Additional Items Required***

---

- Firebacks (SKU 96100177 or 96100178)
- 1080/36 CF Direct Vent (available only from Travis Industries – see page 19 for part numbers)
- Gas Line Equipment (shutoff valve, pipe, etc.)
- Electrical Equipment

## ***Recommended Installation Procedure***

---

1. Frame the opening for the fireplace. We suggest omitting the framing above the header to allow for easier vent installation.
2. Place the fireplace in place, making sure it is level and plumb. Attach using the nailing brackets.
3. Install the vent, electrical connection, gas line, and battery box. Install power heat duct (if being used).
4. Install the framing above the header.
5. Install the hearth (if applicable).
6. Install the included non-combustible facing.
7. Install the facing.
8. Install the mantel (if applicable).
9. Finalize the installation (see page 36).

**Massachusetts Requirements**

NOTE: The following requirements reference various Massachusetts and national codes not contained in this document.

**Requirements for the Commonwealth of Massachusetts**

For all side wall horizontally vented gas fueled equipment installed in every dwelling, building or structure used in whole or in part for residential purposes, including those owned or operated by the Commonwealth and where the side wall exhaust vent termination is less than seven (7) feet above finished grade in the area of the venting, including but not limited to decks and porches, the following requirements shall be satisfied:

**Installation of Carbon Monoxide Detectors**

At the time of installation of the side wall horizontal vented gas fueled equipment, the installing plumber or gasfitter shall observe that a hard wired carbon monoxide detector with an alarm and battery back-up is installed on the floor level where the gas equipment is to be installed. In addition, the installing plumber or gasfitter shall observe that a battery operated or hard wired carbon monoxide detector with an alarm is installed on each additional level of the dwelling, building or structure served by the side wall horizontal vented gas fueled equipment. It shall be the responsibility of the property owner to secure the services of qualified licensed professionals for the installation of hard wired carbon monoxide detectors.

In the event that the side wall horizontally vented gas fueled equipment is installed in a crawl space or an attic, the hard wired carbon monoxide detector with alarm and battery back-up may be installed on the next adjacent floor level.

In the event that the requirements of this subdivision can not be met at the time of completion of installation, the owner shall have a period of thirty (30) days to comply with the above requirements; provided, however, that during said thirty (30) day period, a battery operated carbon monoxide detector with an alarm shall be installed.

**Approved Carbon Monoxide Detectors**

Each carbon monoxide detector as required in accordance with the above provisions shall comply with NFPA 720 and be ANSI/UL 2034 listed and IAS certified.

**Signage**

A metal or plastic identification plate shall be permanently mounted to the exterior of the building at a minimum height of eight (8) feet above grade directly in line with the exhaust vent terminal for the horizontally vented gas fueled heating appliance or equipment. The sign shall read, in print size no less than one-half (1/2) inch in size, "GAS VENT DIRECTLY BELOW. KEEP CLEAR OF ALL OBSTRUCTIONS".

**Inspection**

The state or local gas inspector of the side wall horizontally vented gas fueled equipment shall not approve the installation unless, upon inspection, the inspector observes carbon monoxide detectors and signage installed in accordance with the provisions of 248 CMR 5.08(2)(a)1 through 4.

**Exemptions**

The following equipment is exempt from 248 CMR 5.08(2)(a)1 through 4:

- The equipment listed in Chapter 10 entitled "Equipment Not Required To Be Vented" in the most current edition of NFPA 54 as adopted by the Board; and
- Product Approved side wall horizontally vented gas fueled equipment installed in a room or structure separate from the dwelling, building or structure used in whole or in part for residential purposes.

**MANUFACTURER REQUIREMENTS****Gas Equipment Venting System Provided**

When the manufacturer of Product Approved side wall horizontally vented gas equipment provides a venting system design or venting system components with the equipment, the instructions provided by the manufacturer for installation of the equipment and the venting system shall include:

- Detailed instructions for the installation of the venting system design or the venting system components; and
- A complete parts list for the venting system design or venting system.

**Gas Equipment Venting System NOT Provided**

When the manufacturer of a Product Approved side wall horizontally vented gas fueled equipment does not provide the parts for venting the flue gases, but identifies "special venting systems", the following requirements shall be satisfied by the manufacturer:

- The referenced "special venting system" instructions shall be included with the appliance or equipment installation instructions; and
- The "special venting systems" shall be Product Approved by the Board, and the instructions for that system shall include a parts list and detailed installation instructions.

A copy of all installation instructions for all Product Approved side wall horizontally vented gas fueled equipment, all venting instructions, all parts lists for venting instructions, and/or all venting design instructions shall remain with the appliance or equipment at the completion of the installation.

See Gas Connection section for additional Commonwealth of Massachusetts requirements.



## Preparing the Fireplace Stand-offs

This appliance is shipped with the header and side stand-offs in the retracted position. These stand-offs must be placed in their upright position prior to installing the fireplace. Secure the stand-offs to the framing with screws or other fasteners.

**WARNING:** Failure to correctly erect the stand-offs may lead to a serious fire-hazard and will void the listing and warranty of this fireplace.

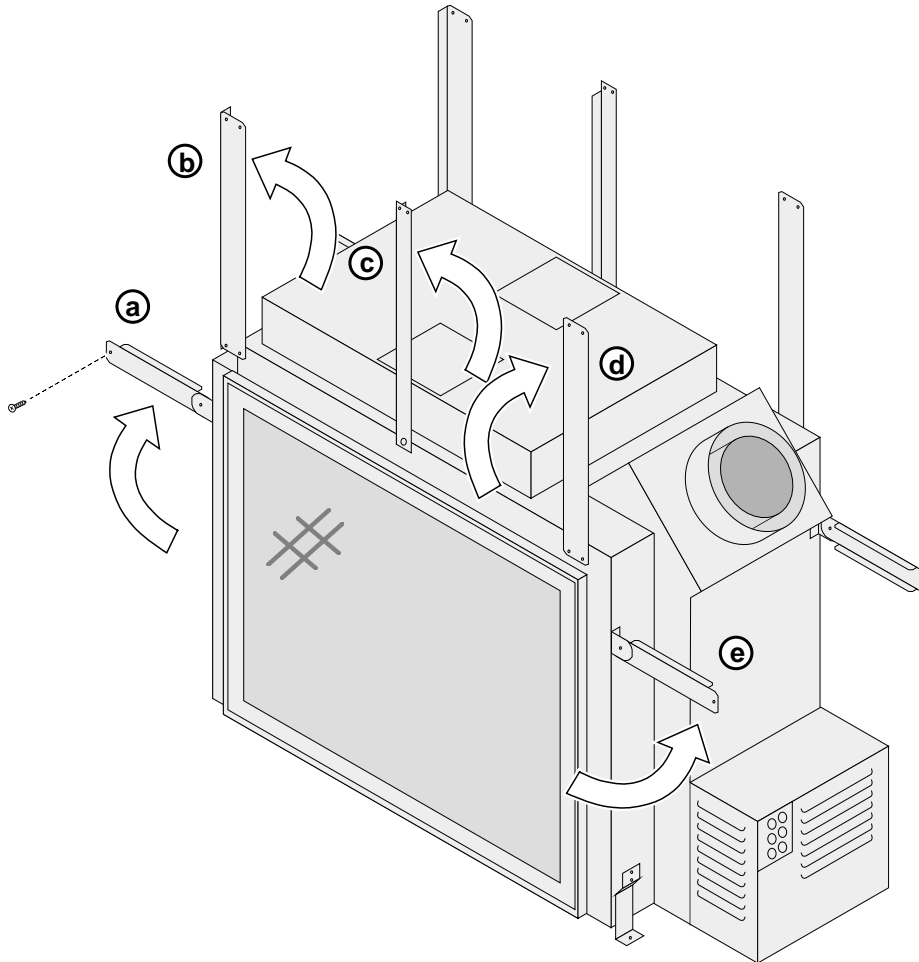


Figure 3

### Fireplace Placement Requirements

- Fireplace must be placed in a room with a minimum 96" ceiling.
- Fireplace must be placed directly on the sub-floor or wood platform (not on linoleum or carpet).
- Fireplace must be installed on a level surface capable of supporting the fireplace and vent.
- This heater may be placed in a bedroom. Please be aware of the large amount of heat this appliance produces when determining a location.

### Clearances

- When installed, walls that protrude to the sides of the fireplace must be a minimum 12" from the glass frame (tile stop).
- Due to the high temperature, the heater should be located out of traffic and away from furniture and draperies.
- Fireplace must be placed so the vents below and above the glass do not become blocked.

### Raised Fireplaces

- The fireplace (and hearth, if desired) may be placed on a platform designed to support the fireplace and vent.

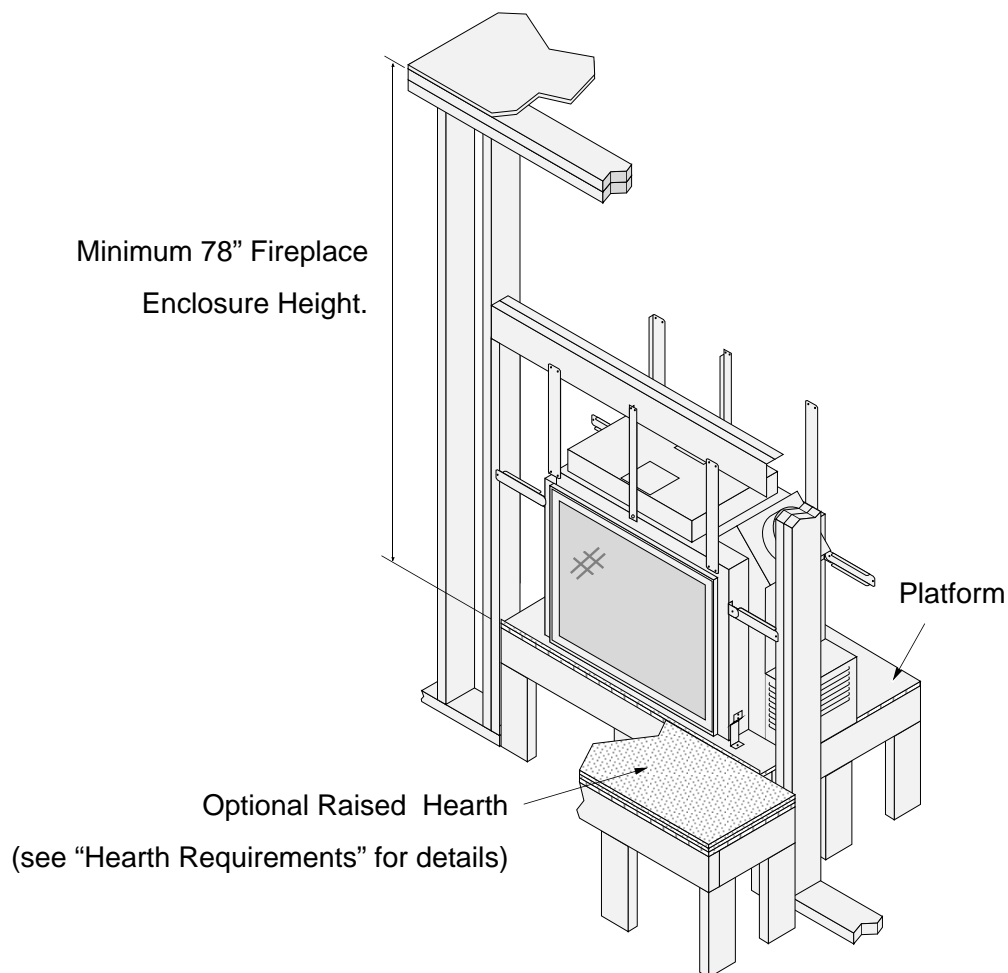


Figure 4

## Minimum Framing 36 CF ST (See Through)

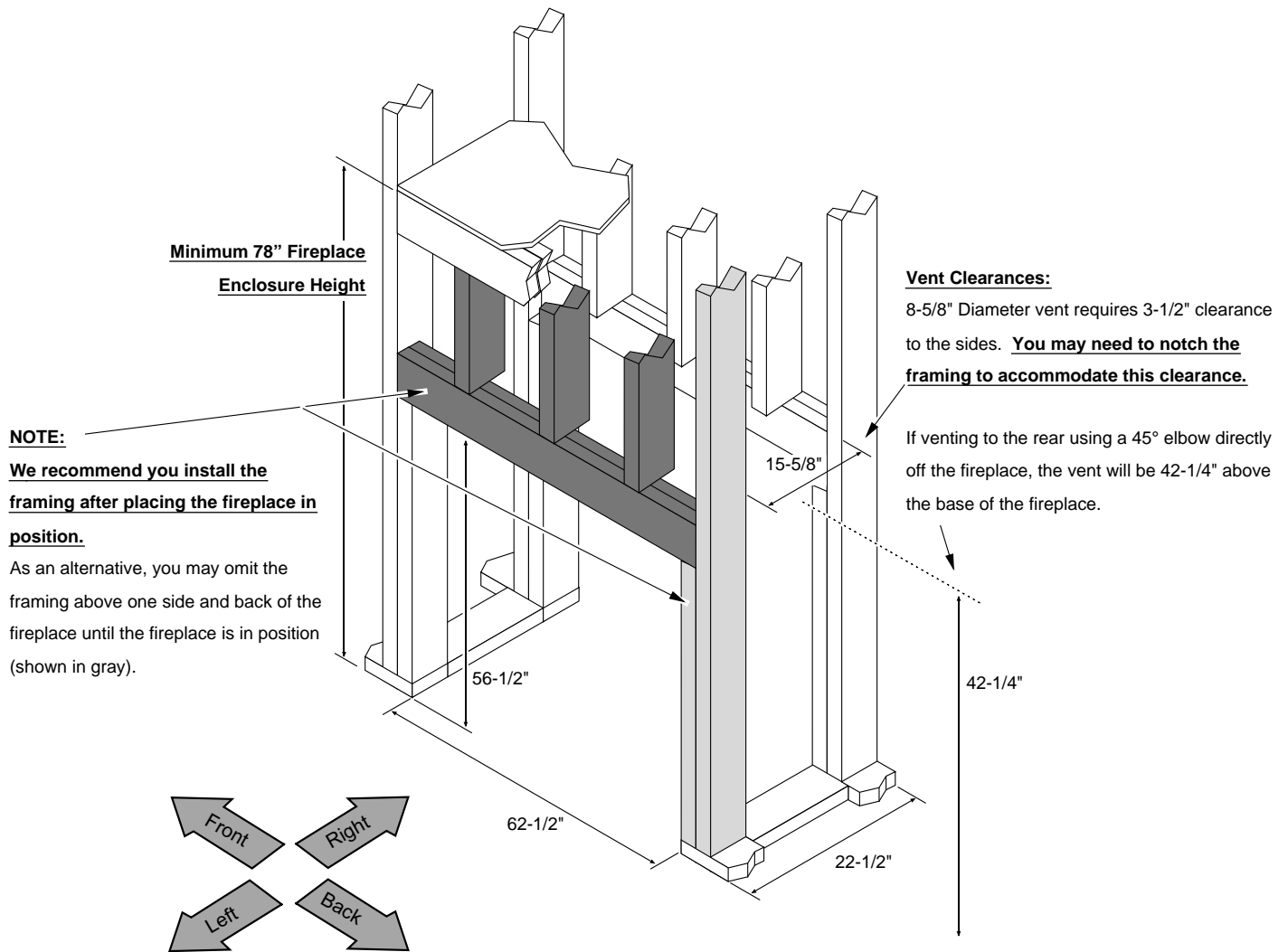


Figure 5

Framing Dimensions – 36 CF Pier

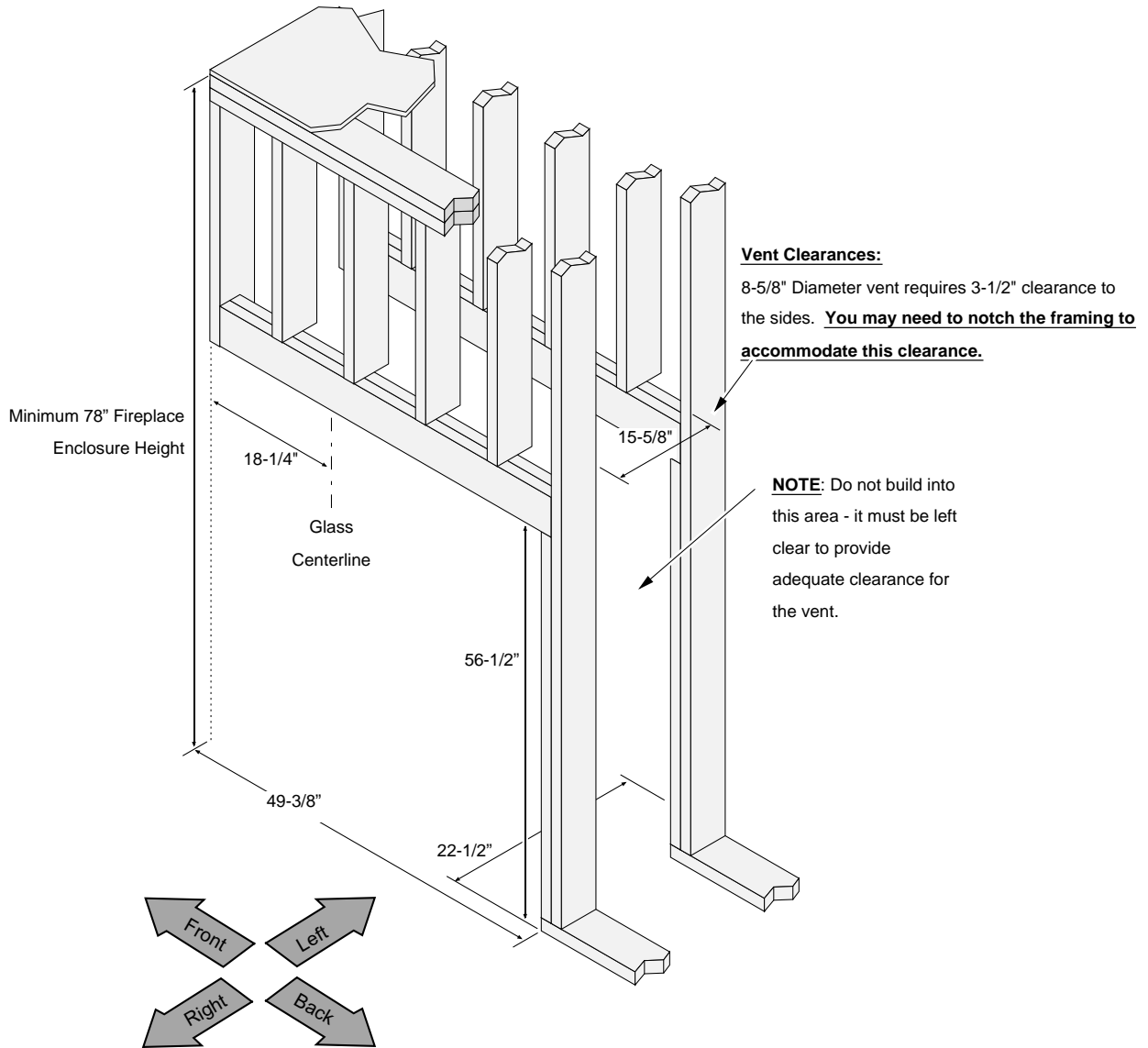


Figure 6

## Attaching Stand-Offs to Framing

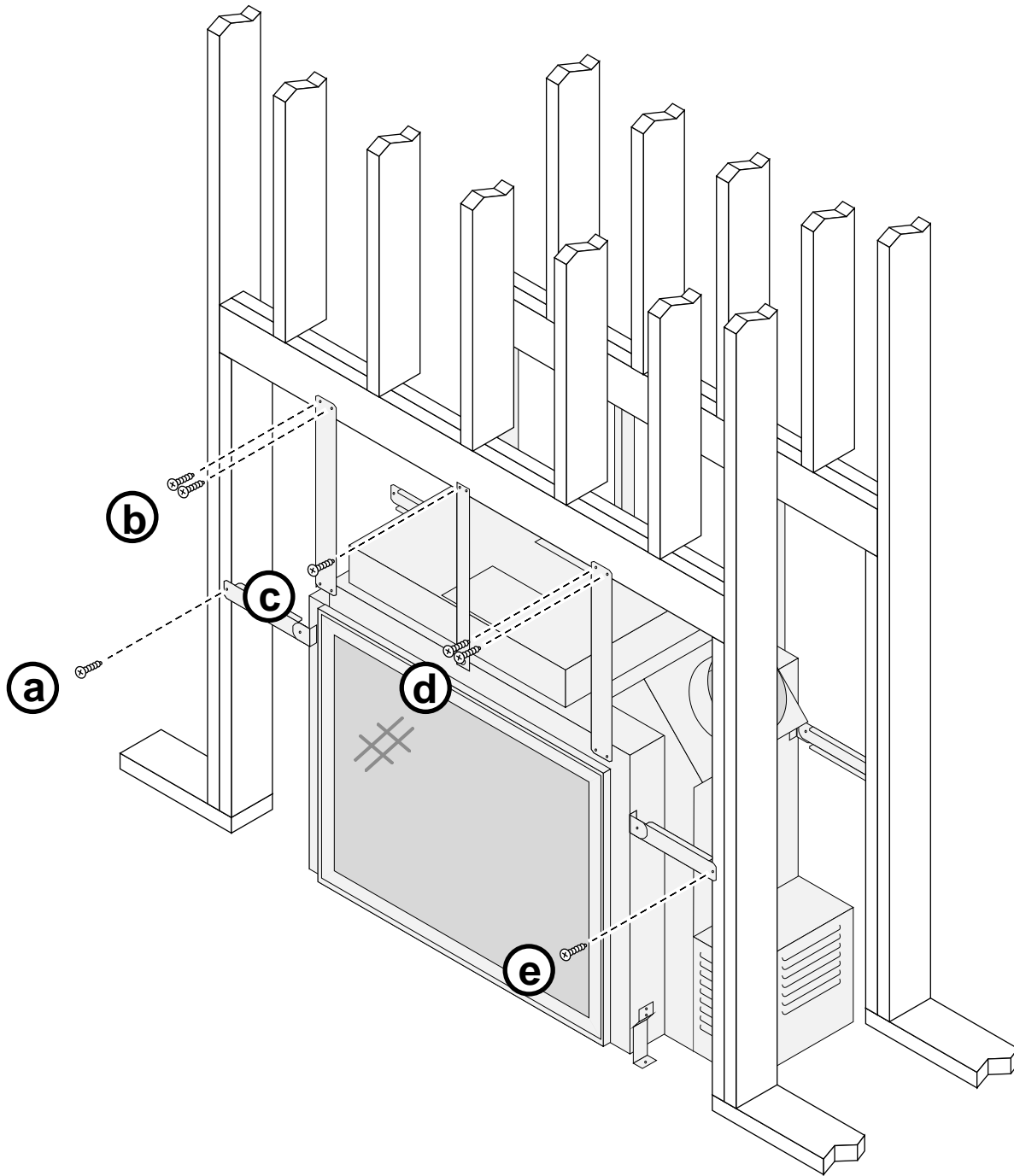


Figure 7

**Required Electrical Connection**

Make sure power to the heater has been turned off prior to installation (disable the breaker).



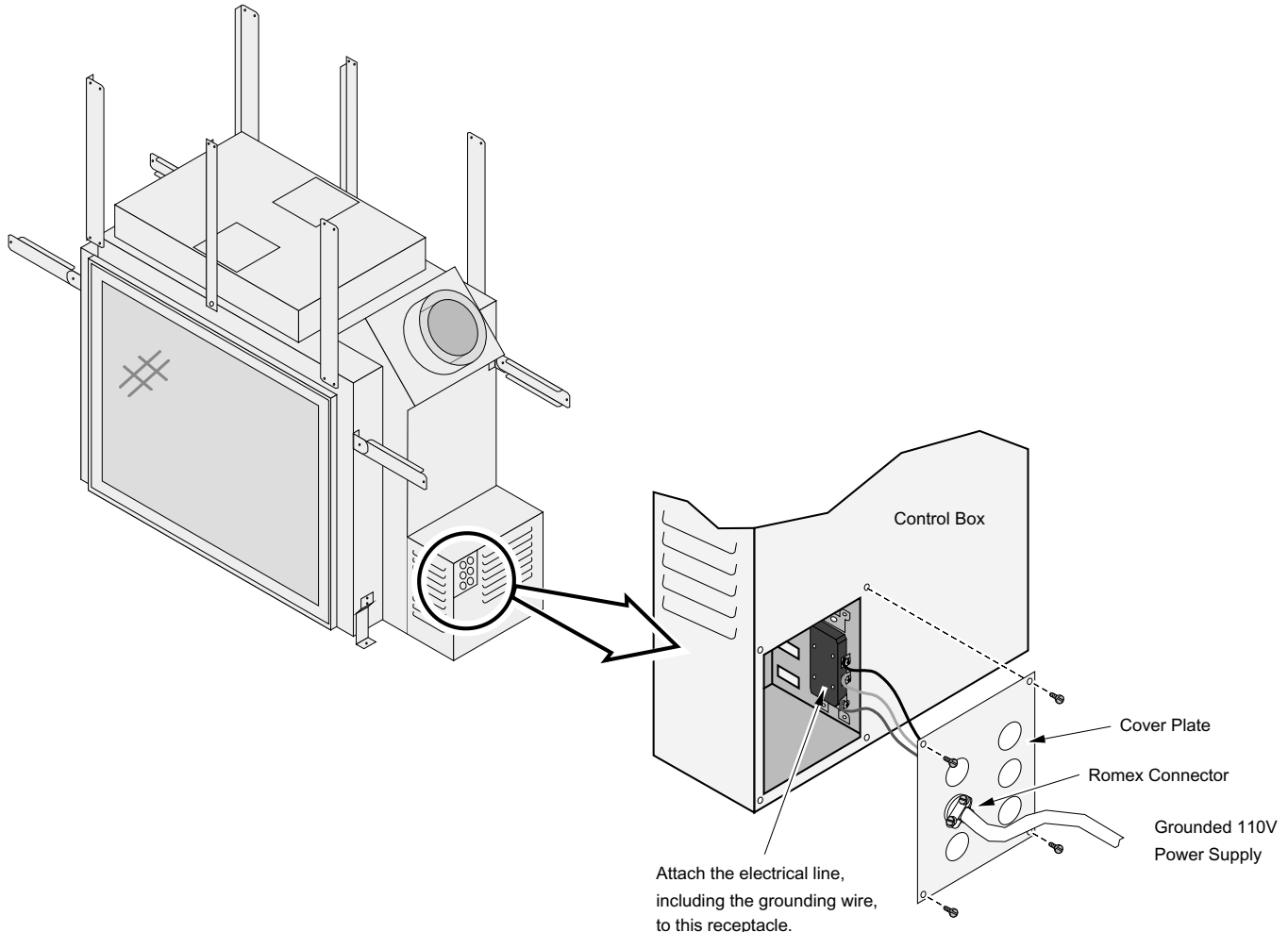
Do not connect 110-120 VAC to the gas control valve or the on/off circuit on this fireplace.

This fireplace utilizes 110 VAC to power the receiver module and intermittent pilot system.

- The electrical line to the grounded receptacle inside the fireplace must be installed by a qualified installer and must meet all local codes. The fireplace must be properly grounded in accordance with local codes (or ANSI/NFPA 70-1987).
- Make sure the household breaker is shut off prior to working on any electrical lines.
- The fireplace must be properly grounded in accordance with local codes (or ANSI/NFPA 70-1987)
- The electrical line must be a min. 14 gauge, and supply 120 Volts at 60 Hz (2 Amps)

**Caution:** Label all wires prior to disconnection when servicing controls. Wiring errors can cause improper and dangerous operation.

- Attach an electrical line to the receptacle inside the control box (see the illustration below). Make sure to connect the ground wire to the grounding tab on the receptacle (this grounds the fireplace).



## Battery Pack / Learn Switch Installation

- The battery pack and learn switch must be mounted inside a junction box in a location that may be reached by the 12' long battery box wires (see Figure 8).

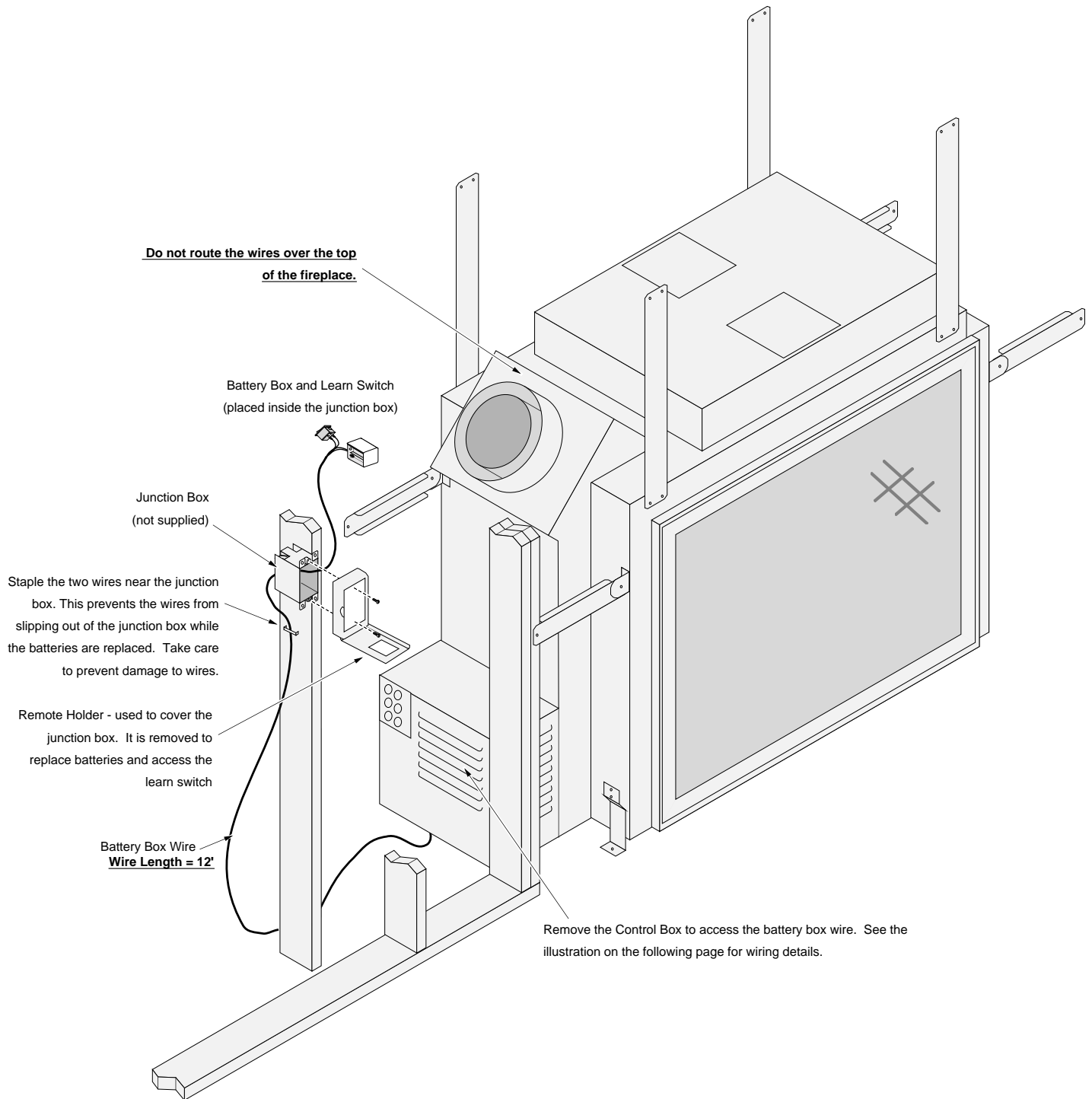


Figure 8

## Steps for Installing the Battery Box and Learn Switch

1. Remove the control cover and attach the 12' long battery box wire to the quick connects on the receiver module (see Figure 9 below). Route the battery box wire through the opening below the cover. At this time make sure the continuous pilot switch is set to "OFF" and the remote switch is set to "REMOTE" on the receiver module – item "a"). You may also wish to verify all the wire leads are fully attached.

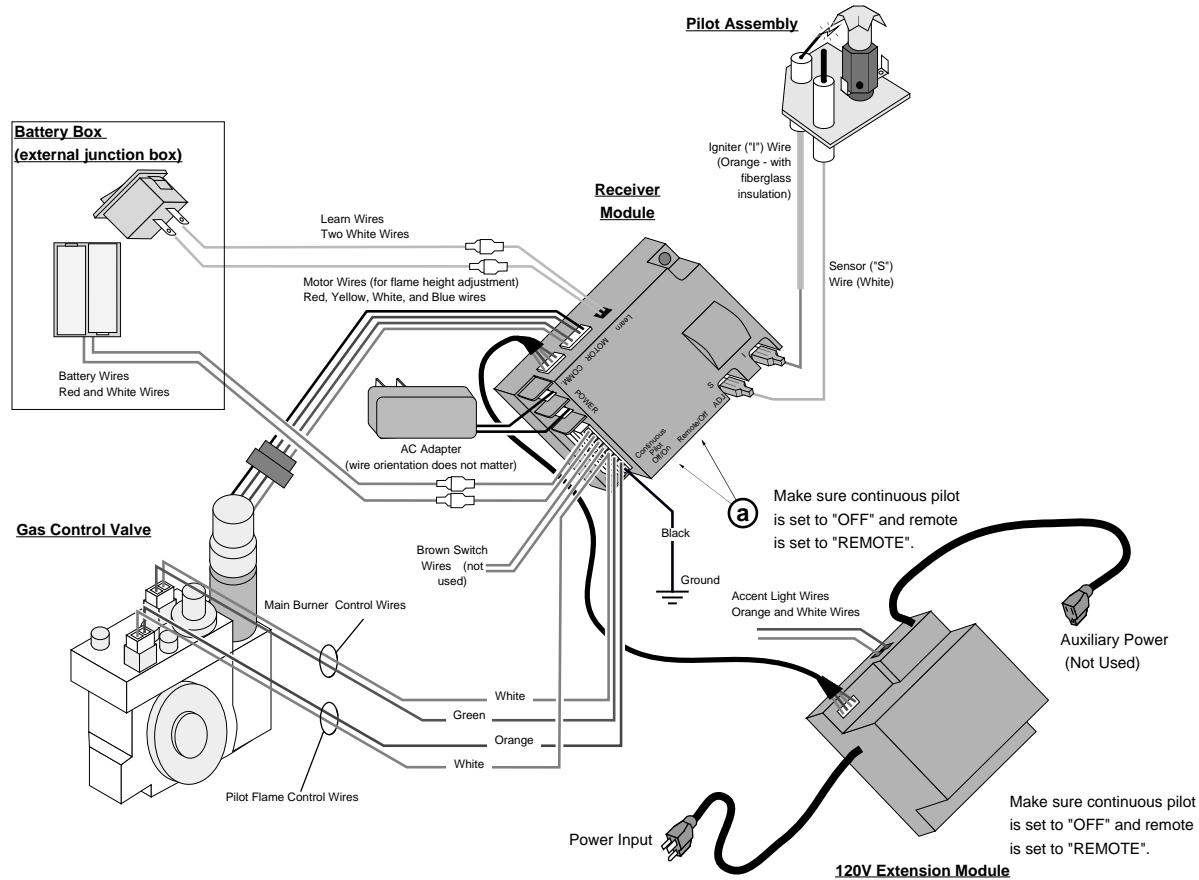


Figure 9

2. Determine a location for the single-gang junction box that contains the battery pack and learn switch. It must be located within 12' of the fireplace. Mount the junction box.
3. Insert the battery box wires through the junction box, leaving approximately 8" of slack so the battery pack may be removed and the batteries replaced. Use a staple or other means to secure the wiring to the framing – this prevents the wires from slipping out of the junction box in the event the wires become disconnected from the battery pack (see Figure 8). NOTE: The wiring is low-voltage (6V) and does not require a strain relief. Connect the learn switch and battery pack wires (see Figure 9).
4. Place batteries inside the battery pack and place it inside the junction box. Attach the remote holder to the junction box with the included screws.

**INSTALLATION WARNING – Remote Synchronization**

At this time we highly recommend you verify the remote and fireplace are synchronized. This process requires access to the learn switch. See the instructions on page 17 for details.

**Battery Installation**

This fireplace uses four AA batteries for operation during power outages. Place the batteries into the battery box. In addition, two AAA batteries are required for the transmitter.



## Remote Synchronization

---



The fireplace is shipped with the remote and fireplace **pre-synchronized**. Do not synchronize the remote unless you are 100% sure it does not work correctly.

### Synchronizing the Remote

**NOTE:** The fireplace must have power and the transmitter must have batteries to complete this process.

**WARNING:** Shut the gas off to the fireplace prior to conducting this process.

- 1 Press the “Learn” button once. The fireplace will beep once.
- 2 Press the “Mode” button on the remote. The fireplace will beep five times to indicate synchronization.

### **NOTE: Re-setting the Receiver Module**

If the receiver module fails to synchronize with the remote after two attempts, you should re-set the receiver module. To do this, hold down the LEARN button for approximately 10 seconds until the receiver beeps 3 times. This indicates the receiver has been re-set and can be synchronized using the instructions above.

## Gas Line Requirements

### MASSACHUSETTS INSTALLATIONS - **WARNING:**

THIS PRODUCT MUST BE INSTALLED BY A LICENSED PLUMBER OR GAS FITTER WHEN INSTALLED WITHIN THE COMMONWEALTH OF MASSACHUSETTS.

#### OTHER MASSACHUSETTS CODE REQUIREMENTS:

- Flexible connector must not be longer than 36 inches.
- Shutoff valve must be a "T" handle gas cock.
- Only direct vent sealed combustion products are approved for bedrooms or bathrooms.
- Fireplace dampers must be removed or welded in the open position prior to the installation of a fireplace insert or gas log.
- A carbon monoxide (CO) detector is required in the same room as the appliance.
- The gas line must be installed in accordance with all local codes, if any; if not, follow ANSI 223.1 and the requirements listed below.
- The fireplace and gas control valve must be disconnected from the gas supply piping during any pressure testing of that system at test pressures in excess of 1/2 psig. For pressures under 1/2 psig, isolate the gas supply piping by closing the manual shutoff valve.
- Leak test all gas line joints and the gas control valve prior to and after starting the fireplace.
- This fireplace is designed either for natural gas or for propane (but not for both). Make sure the correct fuel is used.
- An accessible manual shut-off valve ("t" handle gas cock) is required within 6' of the fireplace.

## Gas Line Connection

- Installation must be performed by a qualified installer, service agency or the gas supplier (In Massachusetts a licensed plumber/gasfitter).
- A shutoff valve is built into the fireplace. It is located on the back side of the fireplace and acts as the gas inlet connection. After installing the gas line (and testing), remove the cover plate shown below and turn the gas shutoff valve to "ON".

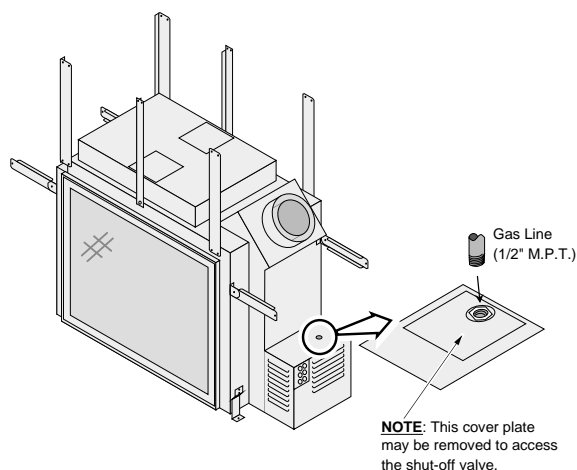


Figure 10

## Gas Inlet Pressure

	Standard Input Pressure
Natural Gas	7" W.C. (1.74 kPA)
Propane	13" W.C. (2.73 kPA)

- If the pressure is not sufficient, make sure the piping used is large enough, the supply regulator is adequately adjusted, and the total gas load for the residence does not exceed the amount supplied.
- The supply regulator (the regulator that attaches directly to the residence inlet or to the propane tank) should supply gas at the suggested input pressure listed above. Contact the local gas supplier if the regulator is at an improper pressure.

## Vent Requirements

- The gas appliance and vent system must be vented directly to the outside of the building, and never be attached to a chimney serving a separate solid fuel or gas-burning appliance. Each direct vent gas appliance must use its own separate vent system.
- In addition to the requirements listed here, follow the requirements provided with the vent.
- A firestop is required whenever the vent penetrates a floor or ceiling (or passes through horizontal framing members). A thimble is required whenever the vent passes through a wall (or horizontal framing members).
- Venting installation instructions may be found at [www.duravent.com](http://www.duravent.com). Keep the vent instructions, along with this manual, with the appliance for future reference.

## Approved Vent

- This fireplace may only use the following vent components (8-5/8" / 6" external diameter coaxial vent). These parts are available from Travis Dealers.

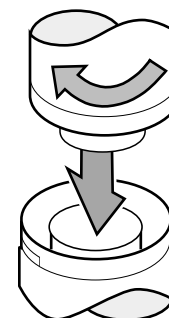
	Simpson Part #	Travis Part #
6" Length	68GSS-06	98900024
12" Length	68GSS-12	98900023
24" Length	68GSS-24	98900022
36" Length	68GSS-36	98900021
48" Length	68GSS-48	98900020
4" to 8" Adjustable Length (Slip Connector)	68GSS-12A	98900025
45° Elbow	68GSS-L45	98900026
90° Elbow	68GSS-L90	98900027
Wall Thimble	68G-SS-WT	98900030
Fire Stop	68G-SS-FS	98900029
Elbow Strap	68G-SS-ES	98900028
Wall Strap	68G-SS-WS	98900031
Adjustable Roof Flashing (0/12 to 6/12)	68G-SS-F	98900035
Adjustable Roof Flashing (7/12 to 12/12)	68G-SS-SF	98900036
Storm Collar	68G-SS-SC	98900032
Vinyl Siding Stand-off	68GSS-VSS	98900037
Horizontal Termination	68G-SS-HC	98900033
Vertical Termination	68G-SS-VC	98900034

## Altitude Considerations

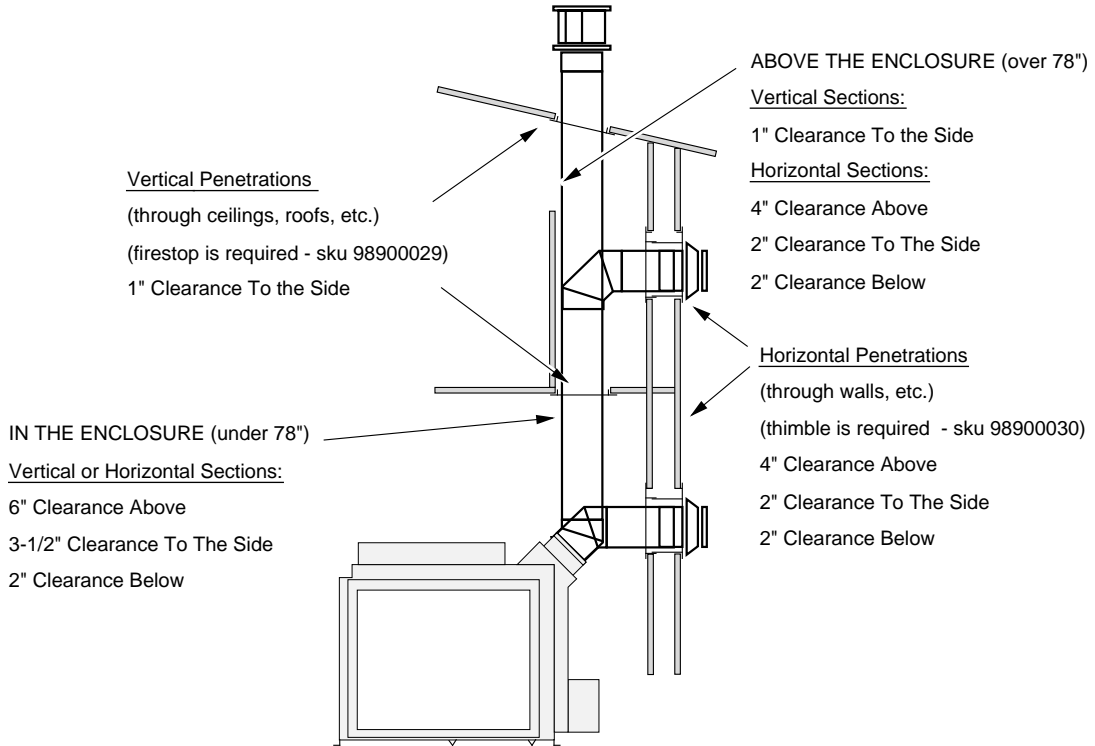
- This heater has been tested at altitudes ranging from sea level to 6,000 feet. In this testing we have found that the heater, with its standard orifice, burns correctly with just an air shutter adjustment.
- Failure to adjust the air shutter properly may lead to improper combustion which can create a safety hazard. Consult your dealer or installer if you suspect an improperly adjusted air shutter.

## Vent Installation

- Slide the vent sections together and turn 1/4 turn until the sections lock in place.
- Screws are not required to secure the vent. However, three screws may be used to secure vent sections together if desired.
- High temperature sealant is recommended at the appliance starter section connection (use high-temperature silicone or Mill-Pac®).
- If disassembly is required, at time of re-assembly check to see if the vent creates a tight fit. If it does not, apply high temperature sealant to the joints of the affected sections.
- Horizontal sections require a 1/4" rise every 12" of travel
- Horizontal sections require non-combustible support every three feet (e.g.: plumbing tape)

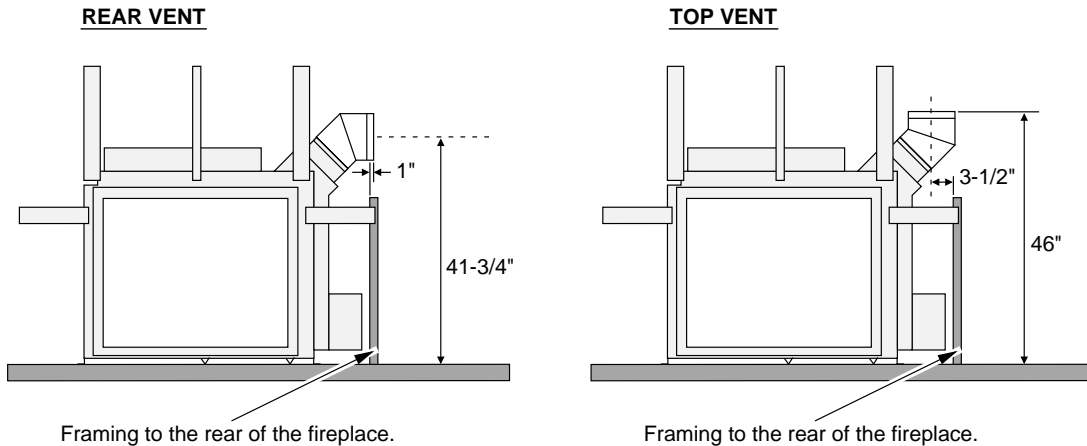


Vent Clearances

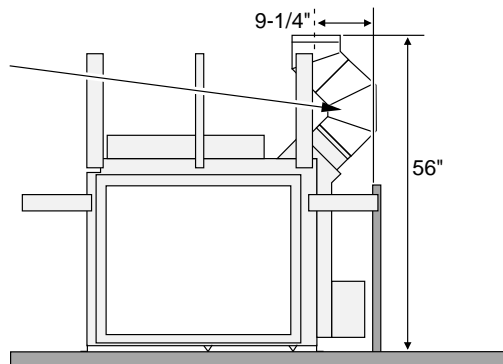


Vent Location

The starter section is set at a 45° angle. Place a 45° elbow directly on top of the fireplace and route it vertically or horizontally. The approximate position of the vent is shown below.



NOTE: In cases where the vent is routed vertically directly above the fireplace, you may place a 90° elbow directly on top of the fireplace, followed by a 45° elbow that directs the vent upwards. For vent configuration purposes this is considered a top vent and the 90° and 45° elbow is considered a single 45° elbow.

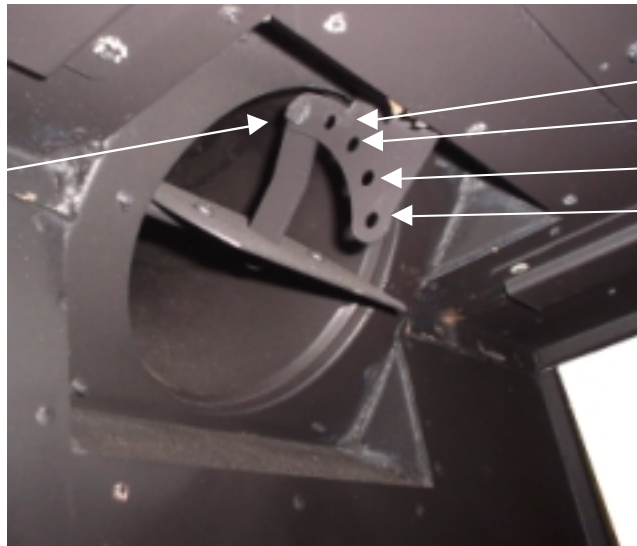


## Approved Vent Configurations

### Exhaust Restrictor Adjustment

An exhaust restrictor is built into exhaust vent at the rear of the fireplace. It is used to adjust the flow rate of exhaust gases. Depending upon vent configuration, you may be required to adjust the restrictor. The charts for acceptable vent configurations detail the correct vent restrictor position. The restrictor is accessed from inside the firebox (remove the glass to gain access). To adjust the restrictor, remove the nut and bolt holding the restrictor in position, rotate the restrictor to the correct position, then replace the nut and bolt to secure (see Figure 11).

The fireplace ships in restrictor position # 1.



- Position # 2
- Position # 3
- Position # 4
- Position # 5

Figure 11

***Approved Vent Configuration – Rear Vent, Horz. Term. (1 45° Elbow)***

- The vent must not exceed 5 feet (see chart below).
- Use Exhaust Restrictor Position # 1.
- Horizontal sections require a 1/4" rise every 12" of travel

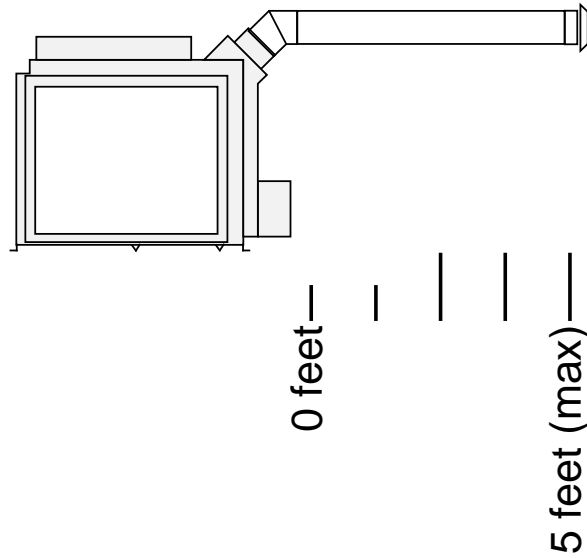


Figure 12

## Approved Vent Configuration – Rear Vent, Horz. Term. (1 45°, 2 90° Elbows)

- The termination must fall within the shaded area shown in the chart. Use the indicated restrictor positions.

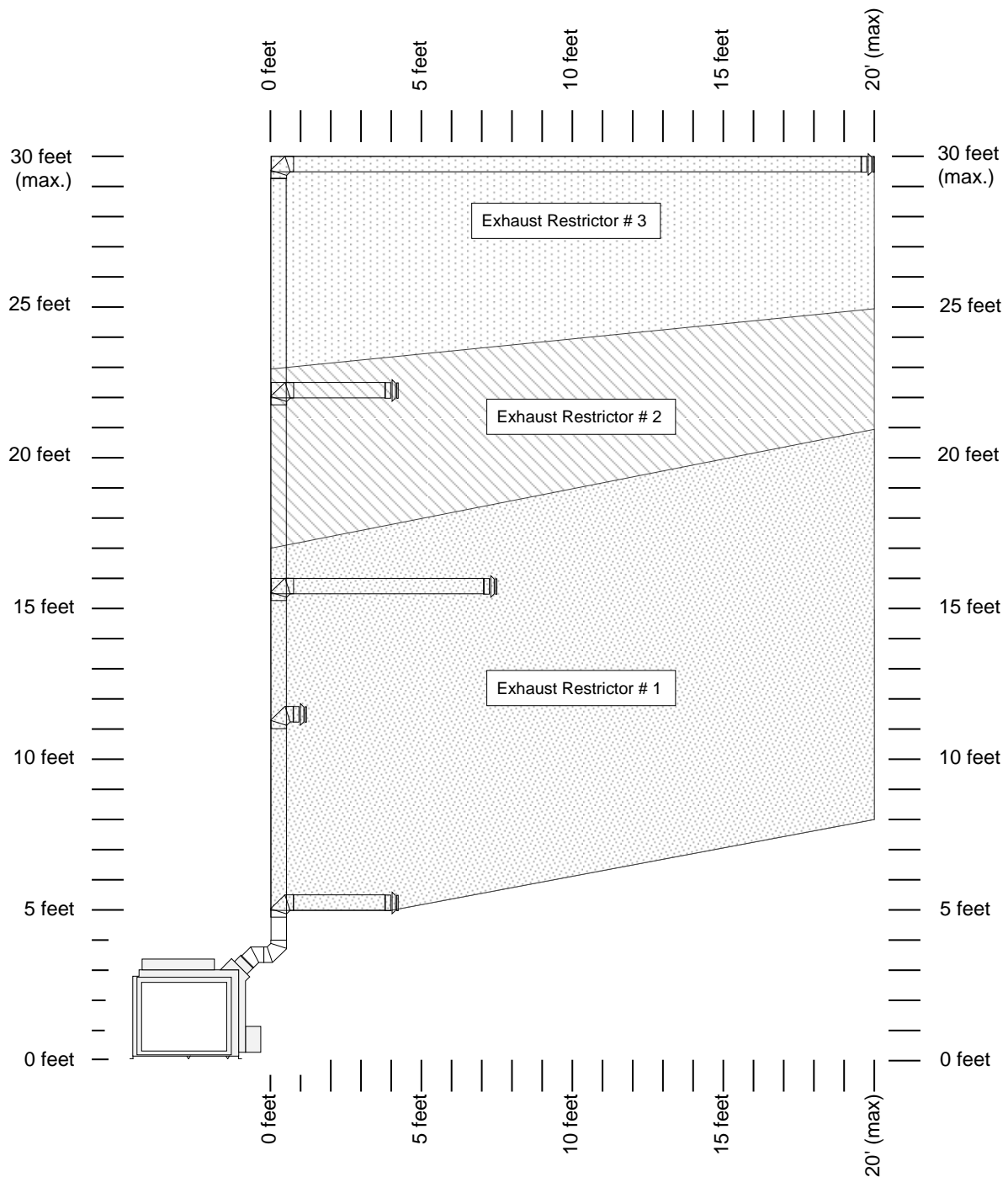


Figure 13

**Approved Vent Configuration – Rear Vent, Horz. Term. (1 45°, 4 90° Elbows)**

- The termination must fall within the shaded area shown in the chart. Use the indicated restrictor positions.

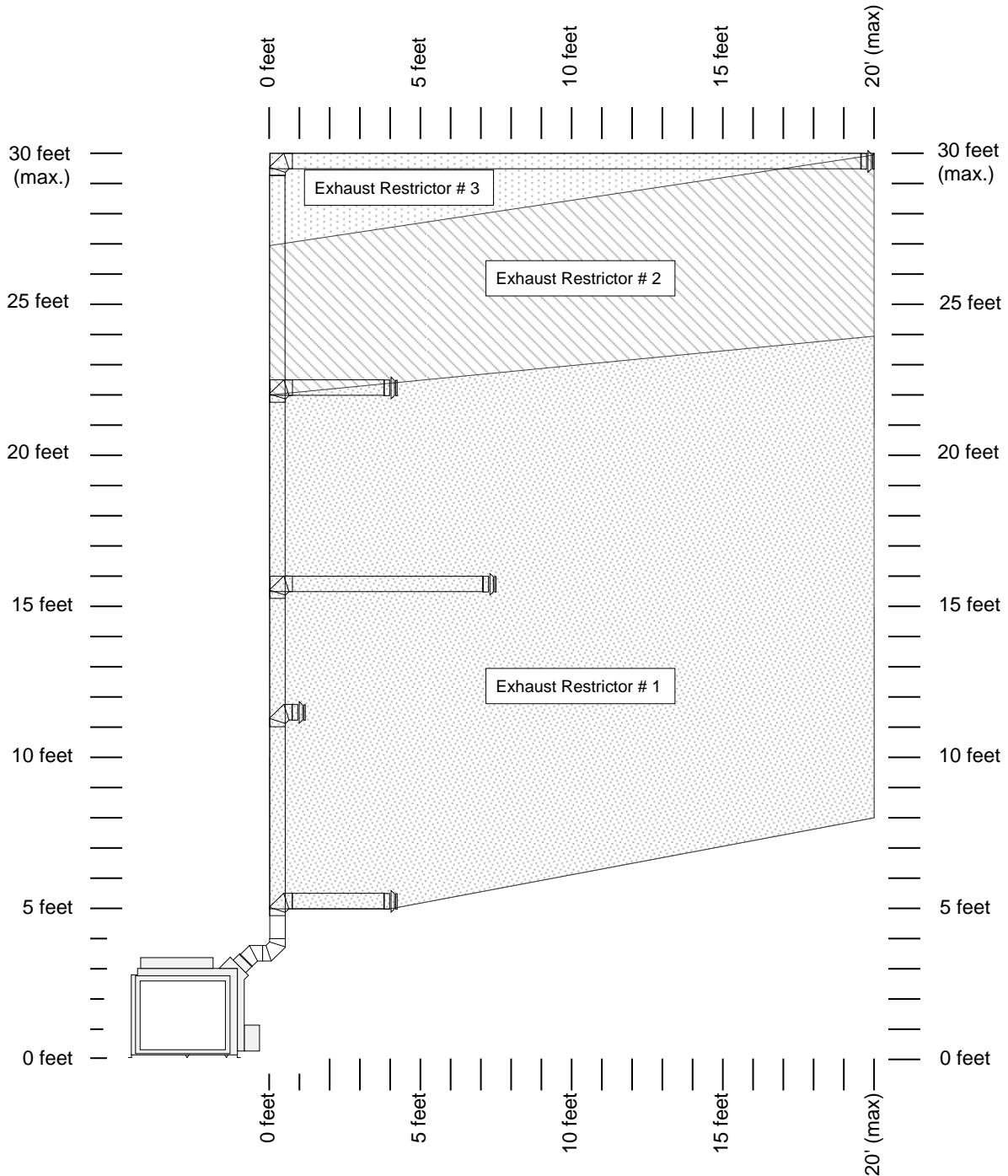


Figure 14



## Approved Vent Configuration – Rear Vent, Vert. Term. (1 45°, 3 90° Elbows)

- The termination must fall within the shaded area shown in the chart. Use the indicated restrictor positions.

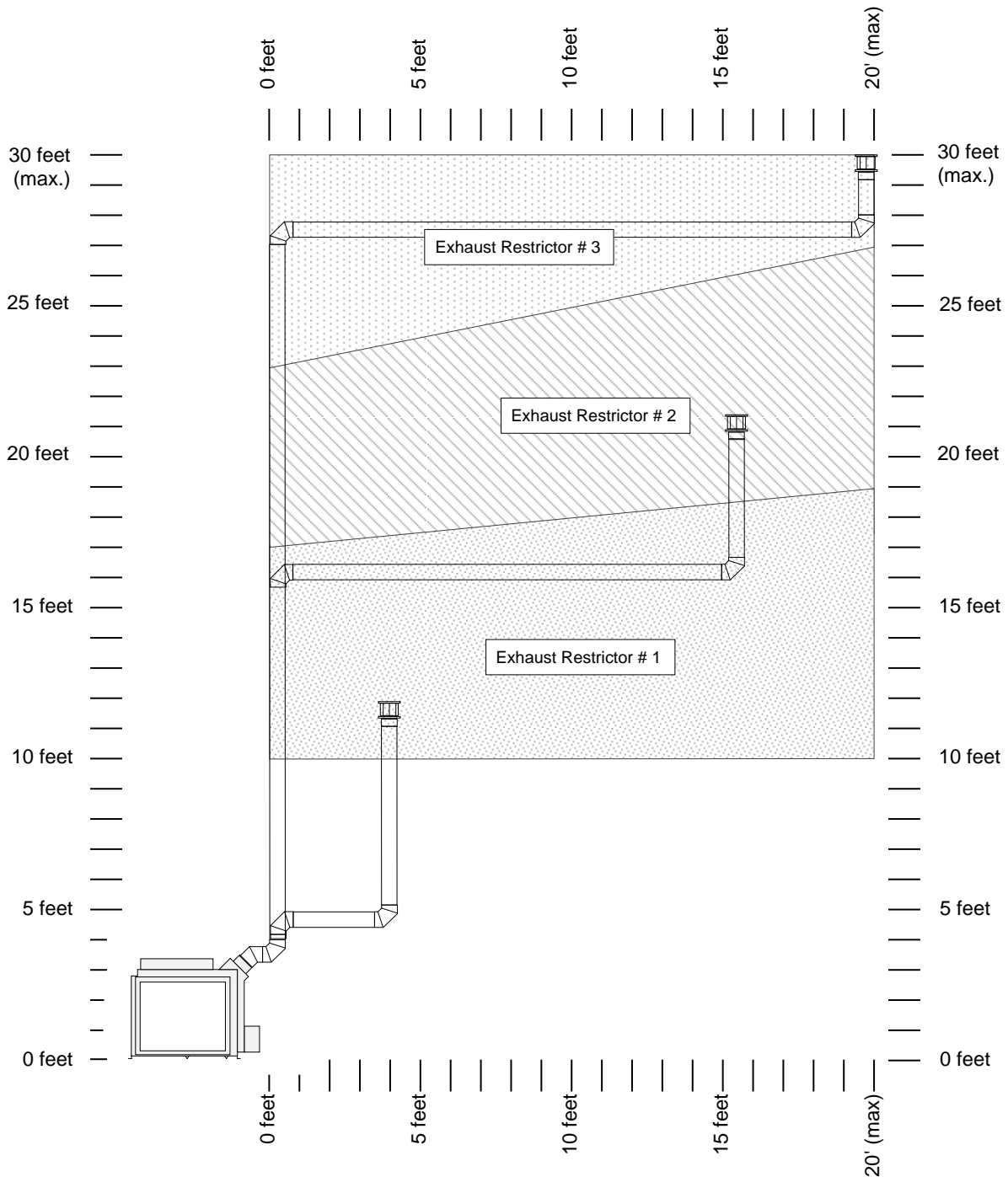


Figure 15

**Approved Vent Configuration – Top Vent, Horz. Term. (1 45°, 1 90° Elbows)**

- The termination must fall within the shaded area shown in the chart. Use the indicated restrictor positions.

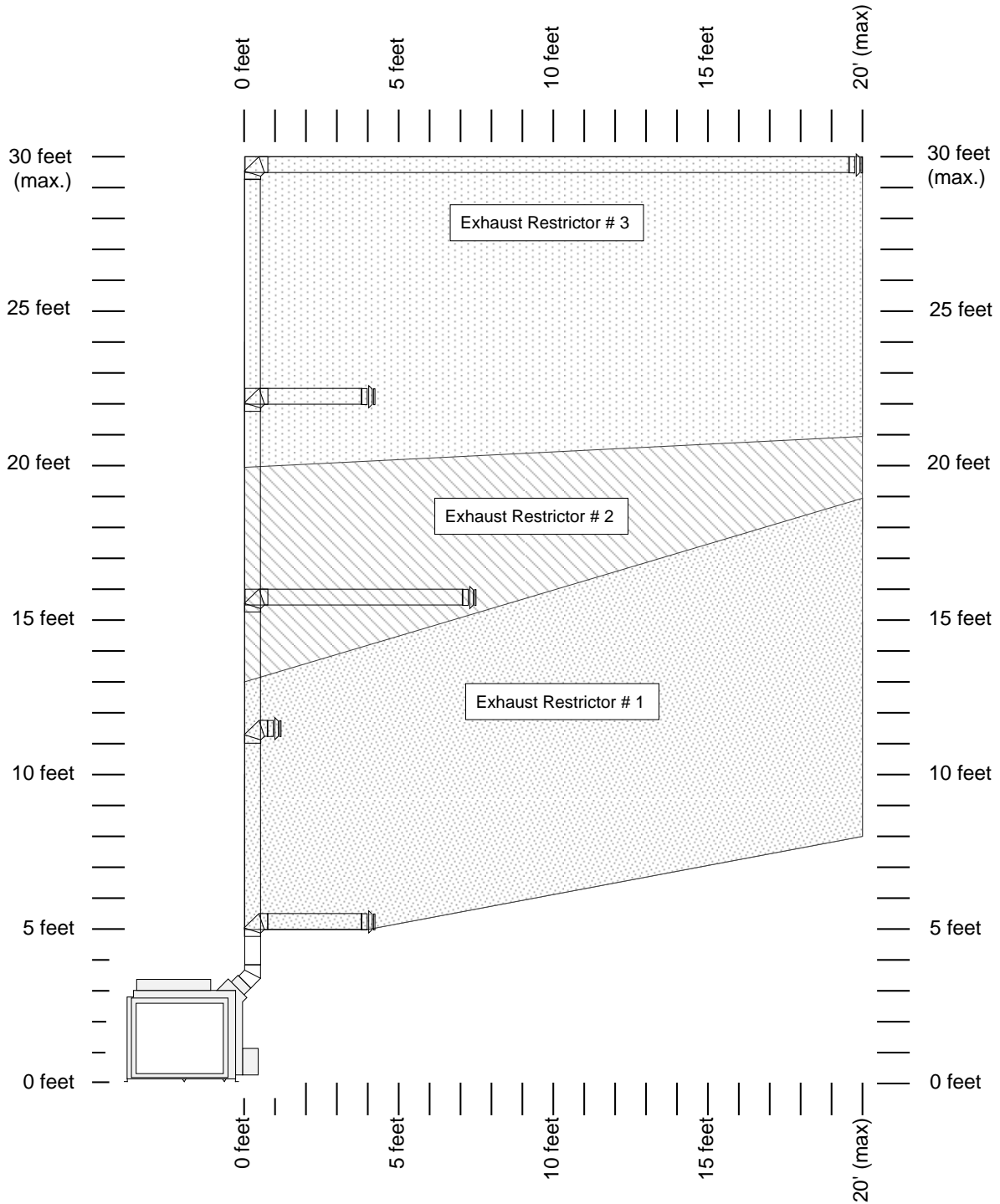


Figure 16

## Approved Vent Configuration – Top Vent, Horz. Term. (1 45°, 3 90° Elbows)

- The termination must fall within the shaded area shown in the chart. Use the indicated restrictor positions.

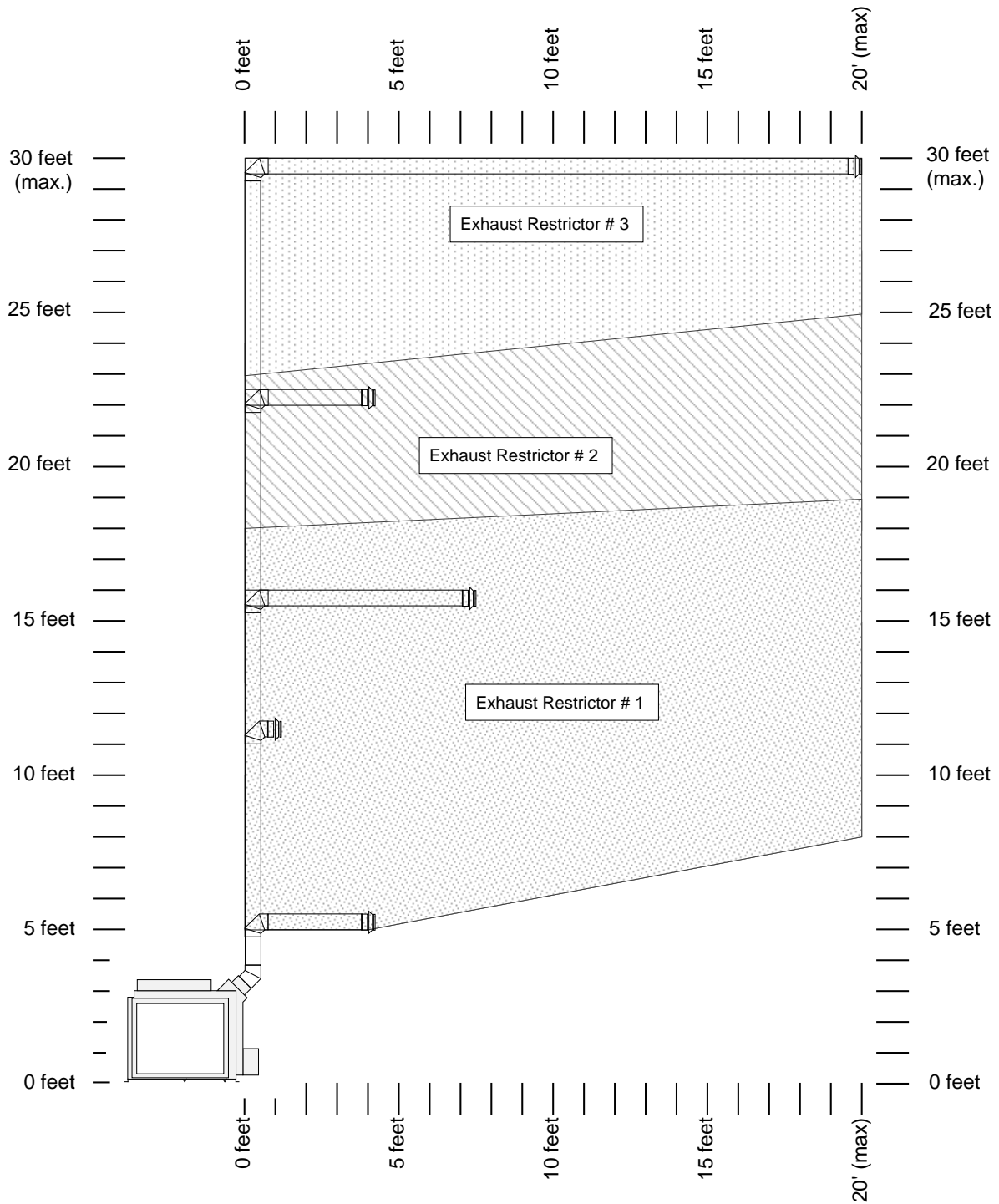


Figure 17

**Approved Vent Configuration – Top Vent, Vert. Term. (1, 3, or 5 45° Elbows)**

- The termination must fall within the shaded area shown in the chart. Use the indicated restrictor positions.

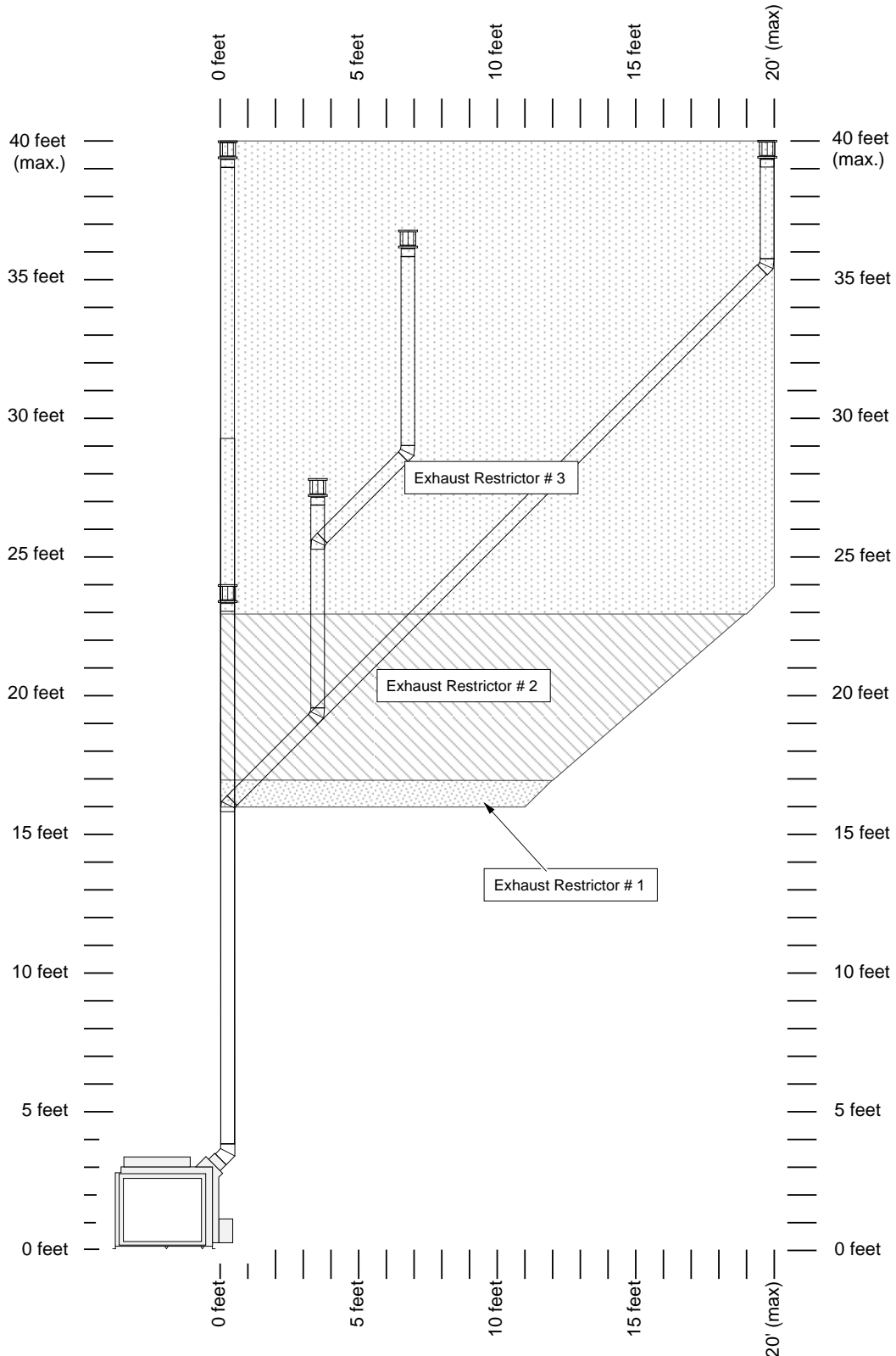


Figure 18

## Approved Vent Configuration – Top Vent, Vert. Term. (1 45°, 2 90° Elbows)

- The termination must fall within the shaded area shown in the chart. Use the indicated restrictor positions.

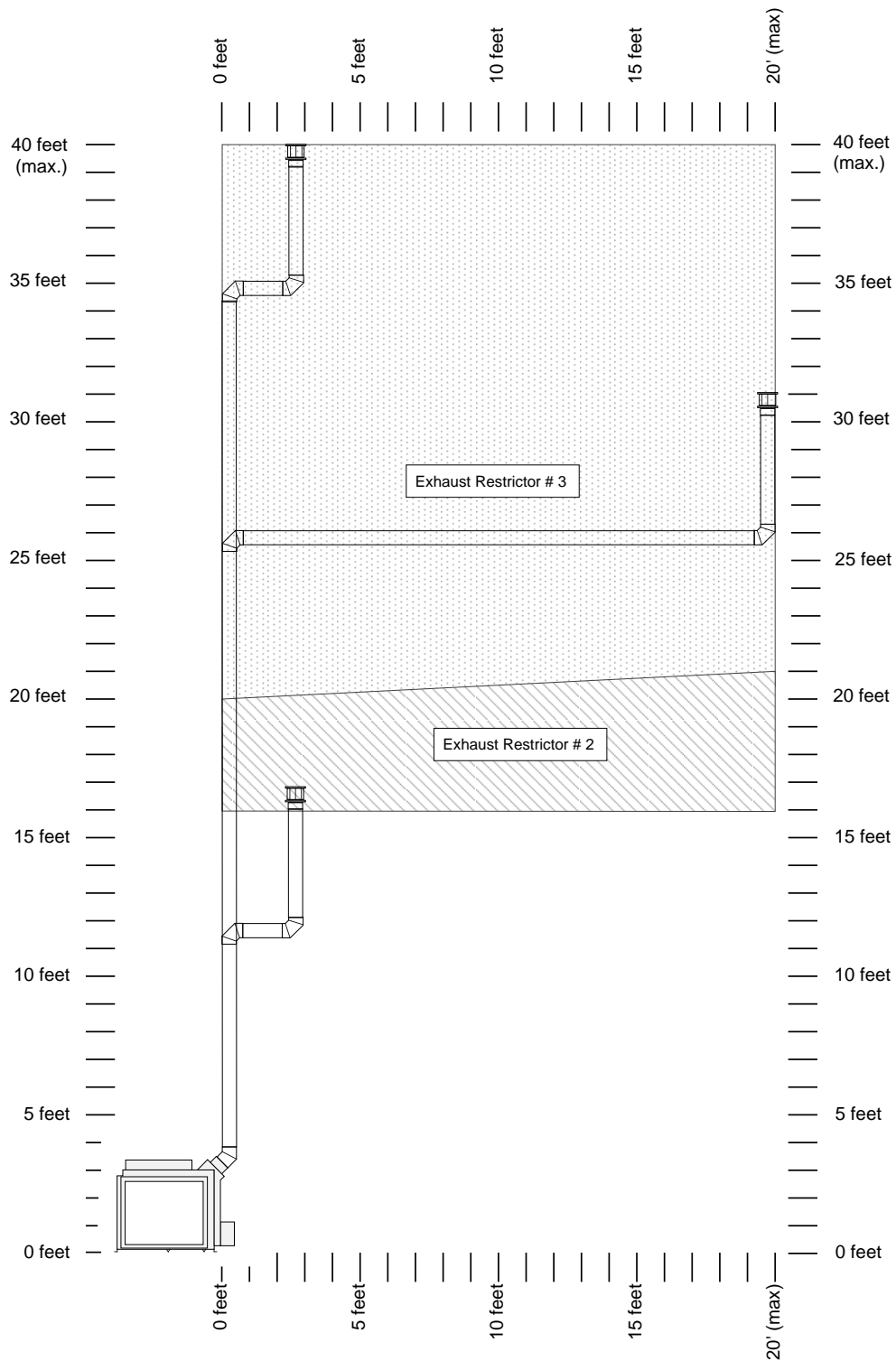
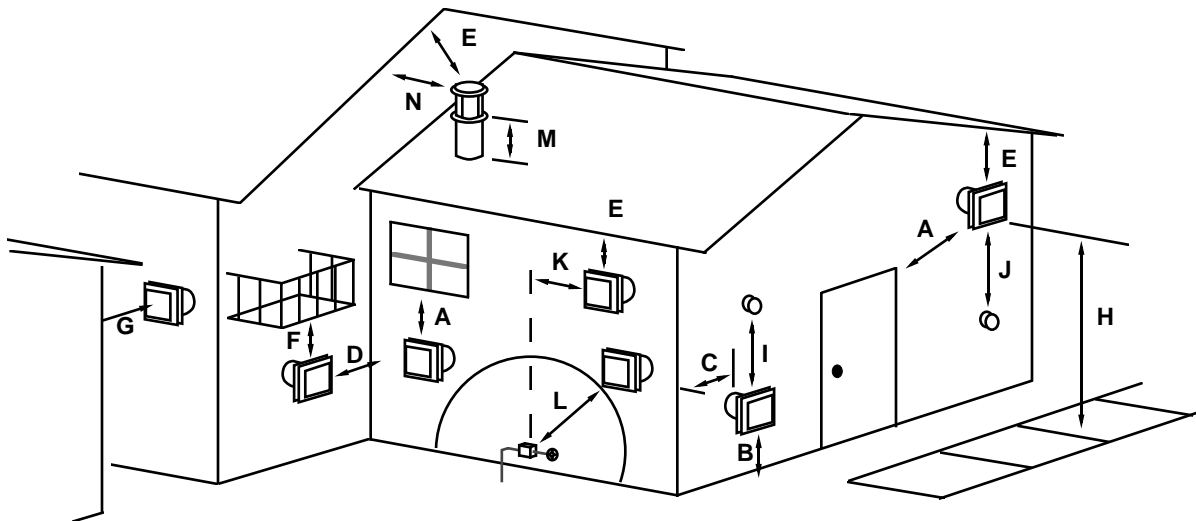
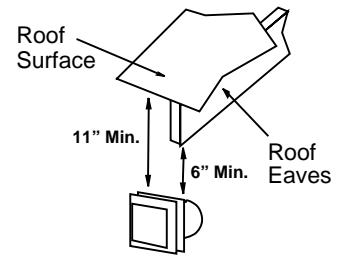


Figure 19

## Termination Requirements

### ! Venting terminals shall not be recessed into a wall or siding.

- A Minimum 9" clearance from any door or window
- B Minimum 12" above any grade, veranda, porch, deck or balcony
- C Minimum 3-3/8" from outside corner walls  
**NOTE:** Clearance in accordance with local installation codes and the requirements of the gas supplier.
- D Minimum 12" from inside corner walls  
**NOTE:** Clearance in accordance with local installation codes and the requirements of the gas supplier.
- E Minimum 11" clearance below unventilated soffits or roof surfaces  
 Minimum 18" clearance below ventilated soffits  
 Minimum 6" clearance below roof eaves  
**NOTE:** Vinyl surfaces require 24"  
**NOTE:** Clearance in accordance with local installation codes and the requirements of the gas supplier.
- F Minimum 12" clearance below a veranda, porch, deck or balcony  
**NOTE:** Permitted only if veranda, porch, deck, or balcony is fully open on a minimum of two sides beneath the floor.  
**NOTE:** Clearance in accordance with local installation codes and the requirements of the gas supplier.
- G Minimum 48" clearance from any adjacent building
- H Minimum 84" clearance above any grade when adjacent to public walkways or driveways  
**NOTE:** may not be used over a walkway or driveway shared by an adjacent building
- I Minimum 9" clearance to any nonmechanical air supply inlet to the building or the combustion air inlet to any other appliance.
- J Minimum 36" clearance above any mechanical air supply inlet if within 10' horizontally
- K Minimum 36" from the area above the meter/regulator (vent outlet)  
**NOTE:** Clearance in accordance with local installation codes and the requirements of the gas supplier.
- L Minimum 36" from the meter/regulator (vent outlet)  
**NOTE:** Clearance in accordance with local installation codes and the requirements of the gas supplier.
- M Minimum 12" above the roof line (for vertical terminations)
- N Minimum 24" horizontal clearance to any surface (such as an exterior wall) – for vertical terminations



### **NOTE: Measure clearances to the nearest edge of the exhaust hood.**

- Use the vinyl siding standoff when installing on an exterior with vinyl siding.
- Vent termination must not be located where it will become plugged by snow or other material

## Hearth Requirements

**NOTE:** Whenever using a hearth over 1" thick, the fireplace will need to be raised.

### Flush Hearth

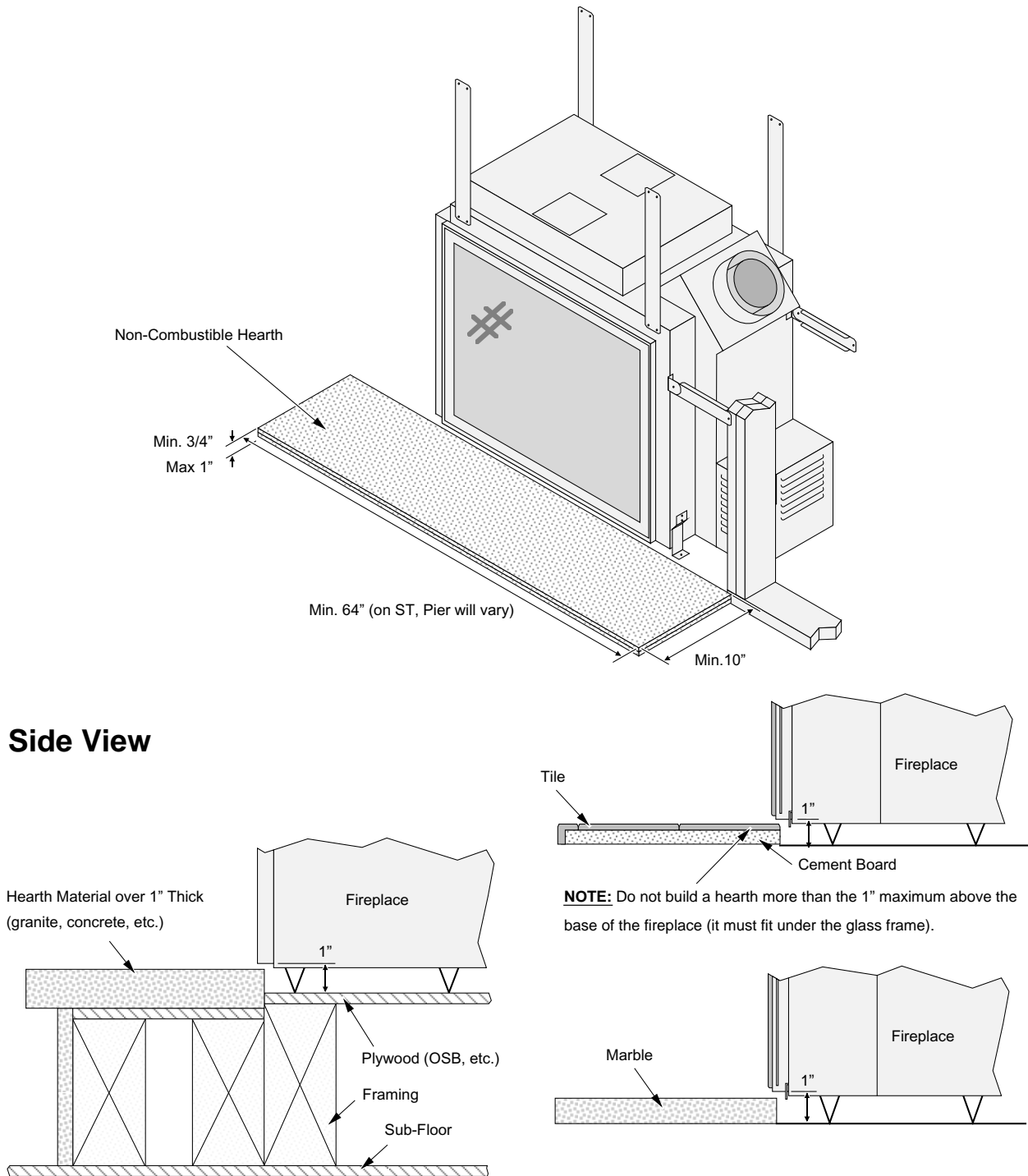


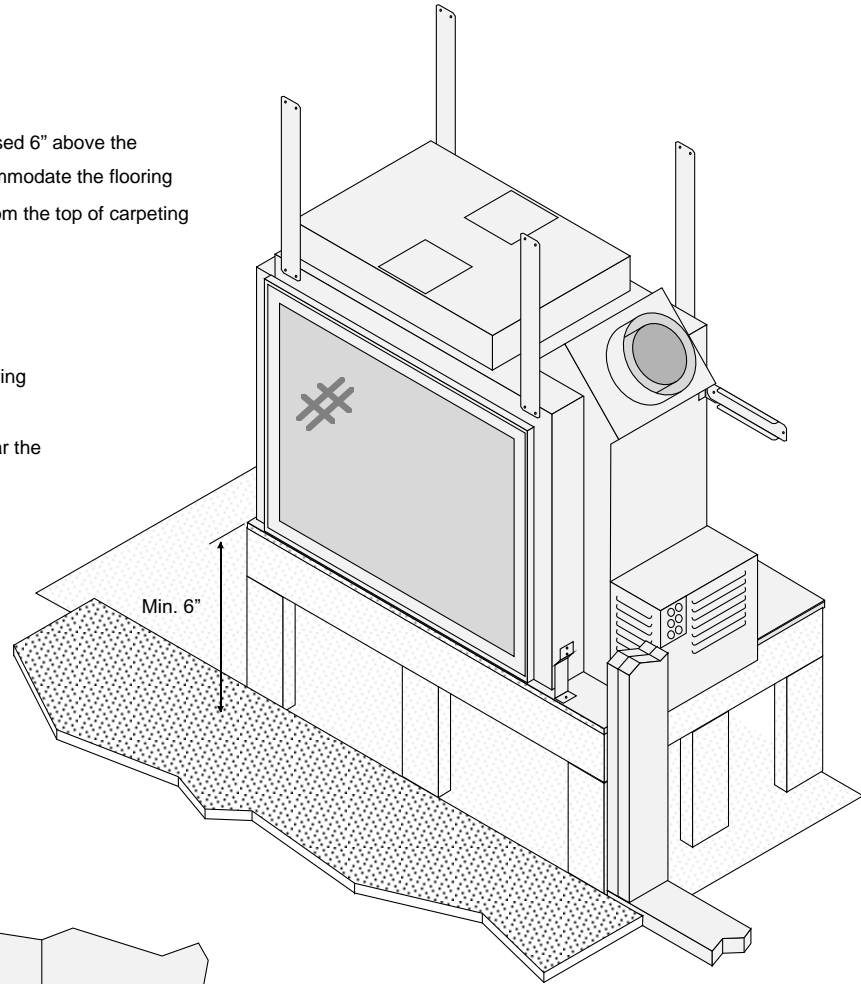
Figure 20

Hearth Requirements – Recessed Hearth

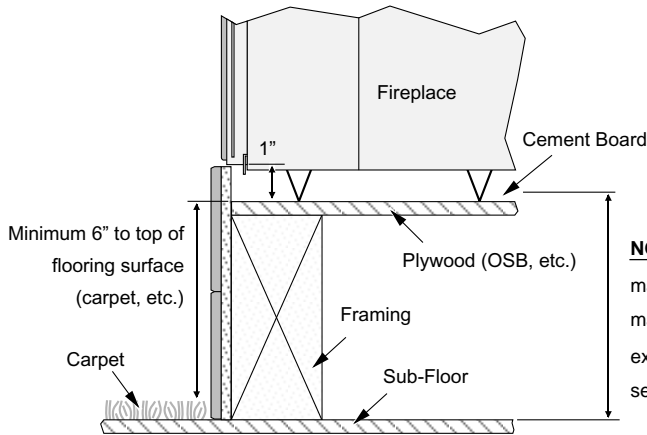
A hearth is not required if the fireplace is raised 6" above the flooring surface. NOTE: Make sure to accommodate the flooring surface - this distance must be measured from the top of carpeting or other flooring material.

**WARNING:**

We recommend a hearth to protect the flooring surface from discoloration or other negative impact from the heater, especially if it is near the minimum raised height.



Side View



**NOTE:** When building a raised fireplace, consider the facing material below the fireplace. If using tile, you may wish to make the platform a suitable height for un-cut tile. For example, if using 12" tile, make the platform 11" tall (10-1/2" section of framing + 1/2" plywood).

Figure 21



## Facing Requirements

- Attach the included fiber board (or other non-combustible) to the fireplace and framing (see Figure 22 below). This non-combustible facing must extend from the base of the fireplace to the header and to the framing members on both sides.

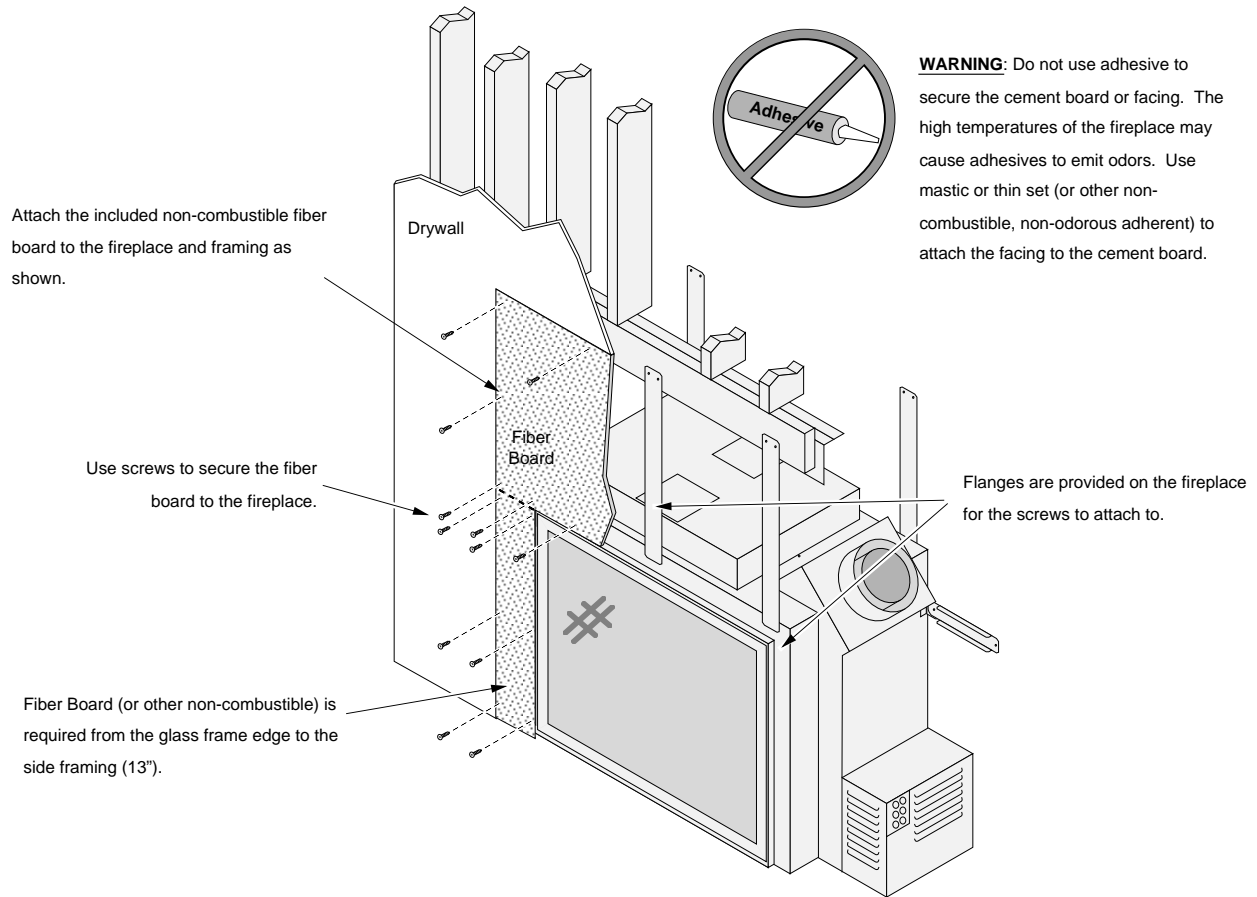


Figure 22

**Non-Combustible Facing**

- Non-combustible facing on the front of the fireplace must extend a minimum 16-1/2" from the top of the glass frame (49-1/2" from the base of the fireplace). Above 16-1/2" combustible facing may be used (see "Mantel Requirements" on the following page for more details).
- Non-combustible facing on the front of the fireplace must extend a minimum 2" to each side of the glass frame. Beyond 2" combustible facing may be used, but may not protrude more than 4" (see "Mantel Requirements" on the following page for more details).
- The maximum depth for non-combustible facing is 6" (includes the fiber board).

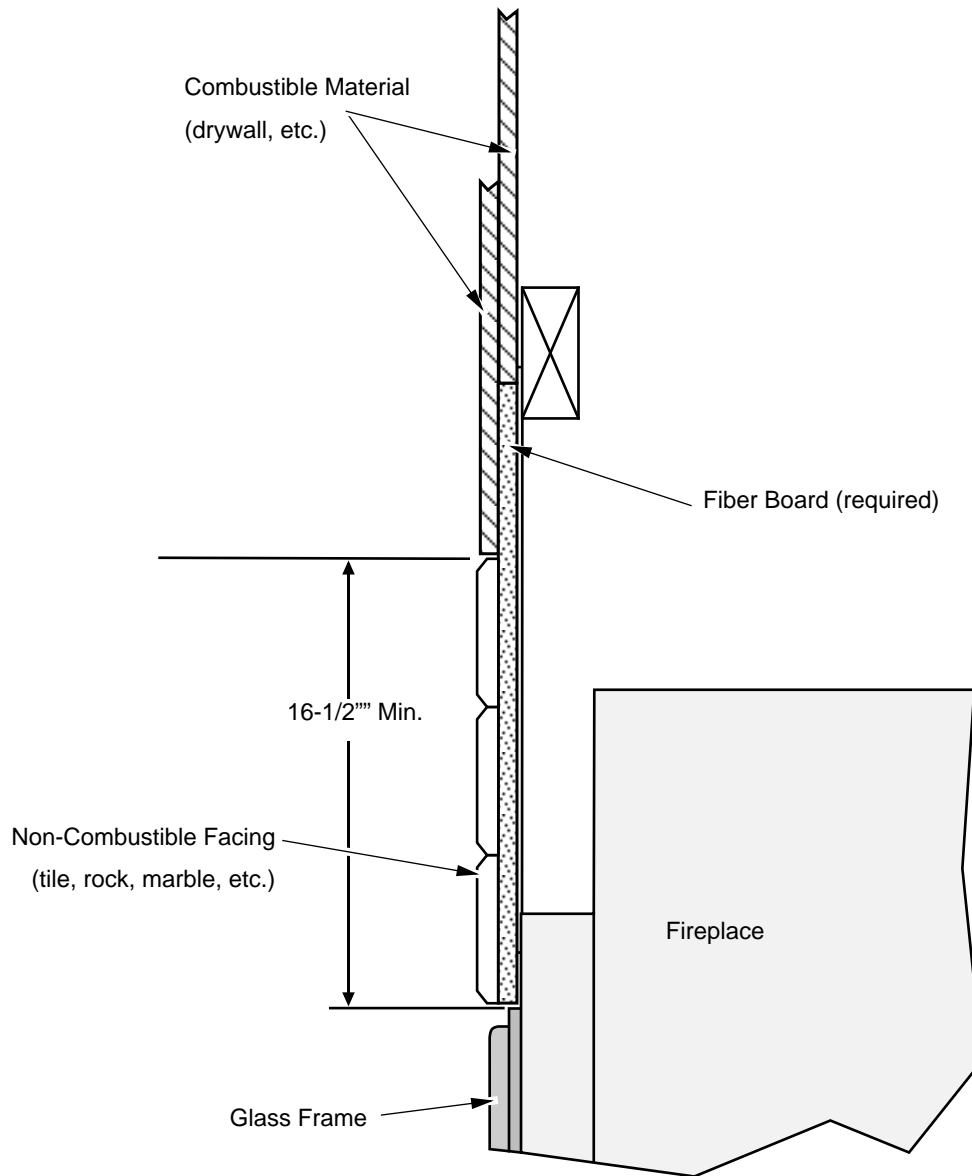


Figure 23

## Mantel Requirements

- The mantel (combustible or non-combustible) must be a minimum 49-1/2" above the base of the fireplace (see Figure 24).
- The maximum mantel depth is 12" (measured from the face).

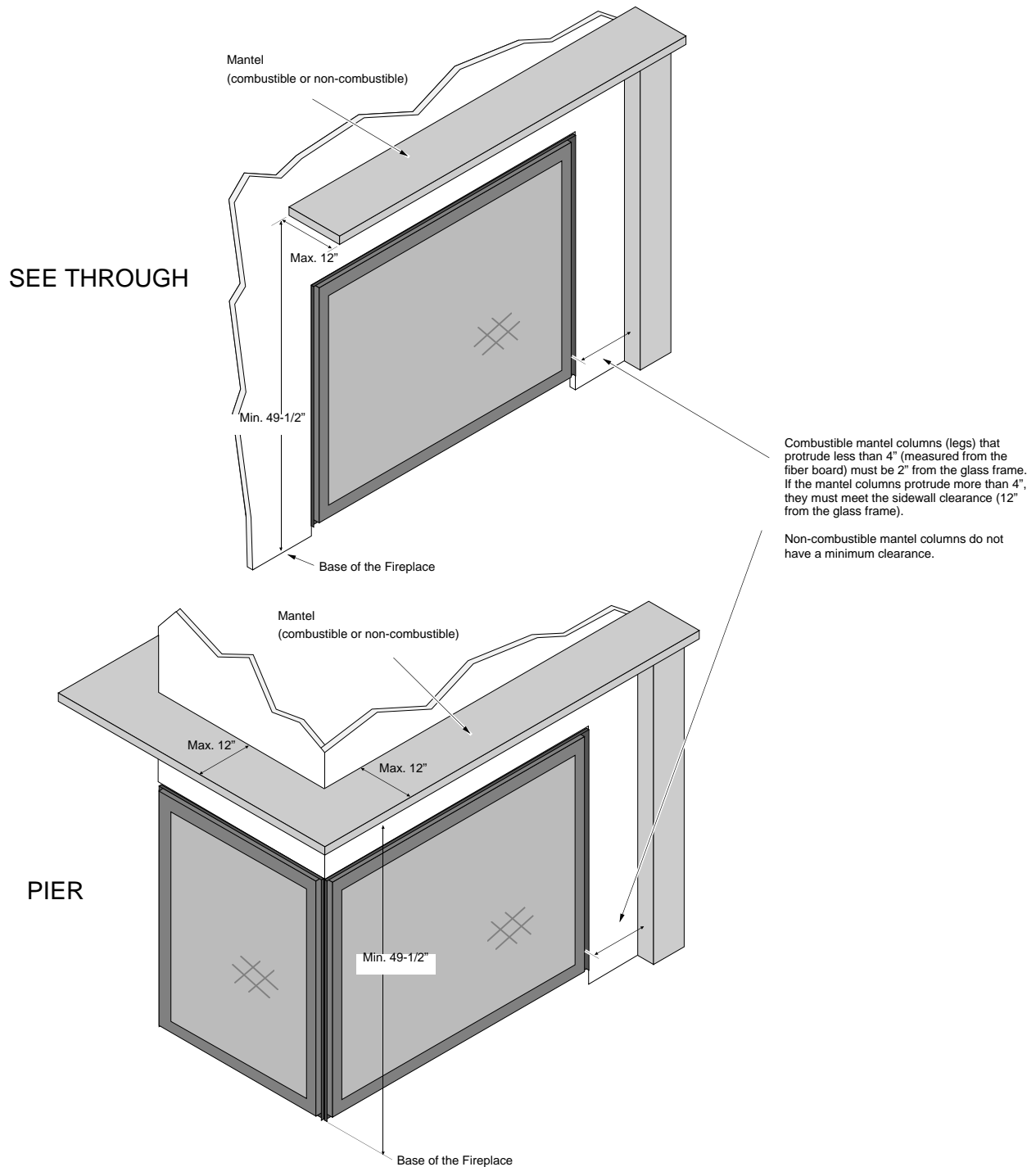
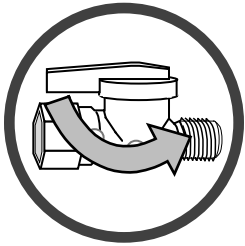


Figure 24

### Steps for Finalizing the Installation

---



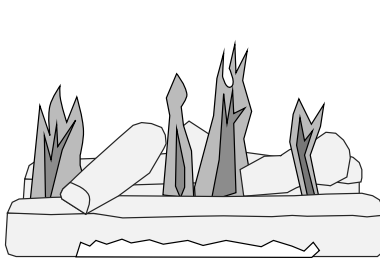
**WARNING:** Prior to removing the glass, shut off gas to the appliance (or remove the batteries from the battery box and shut off electricity to the fireplace). This prevents any chance of accidental burner ignition when accessing the firebox.

1. Remove the glass (see page 38).  
**NOTE:** If using propane (LP) convert the appliance prior to installing the logs (see page 43 for details)..
2. We recommend you purge the gas line at this time (with the glass removed). This allows gas to be detected once it enters the firebox, ensuring gas does not build up.
3. Install the firebacks (see instructions included with firebacks) and logs (see page 39).
4. Turn on the gas to the fireplace. Turn on gas to the heater. Leak test all gas joints.
5. Replace the glass. Start the pilot.
6. Start the main burner. Leak test all gas joints again (the gas control valve and connections are located on the exterior of the fireplace on the left side).

7. Check the air shutter following the directions below.

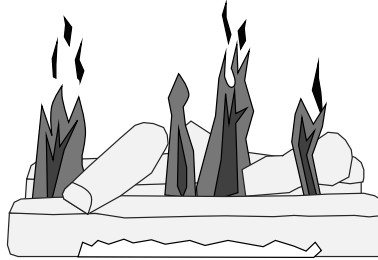
### Air Shutter Adjustment

Let the heater burn for fifteen minutes (make sure the logs and glass are in place). The flames should be yellow with no sooting. Adjust the air shutter, if necessary, to achieve the correct looking flame.



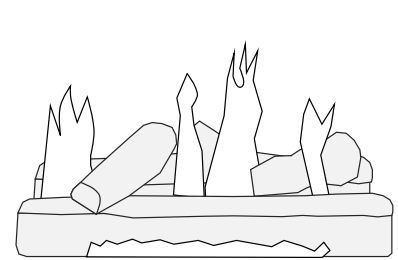
**Correct**

Flames should be blue at the base, yellow-orange on the top.



**Not Enough Air**

If the flames are too tall or sooty on the ends, open the air shutter.



**Too Much Air**

If the flames are all blue and short, close the air shutter.

### How to Adjust the Air Shutter

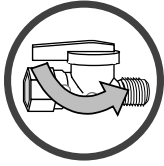
The three air shutters (two sides and center) are located to the back of the burner (under the exhaust) and are accessed by removing the glass frame (and the rear log, if needed – see the picture below). The air shutter levers may be adjusted – a screwdriver or other tool may be used to “tap” the lever to the desired position. Slide the shutter towards the back (exhaust) to close, to the front (towards the logs) to open. After adjusting the air shutter replace the glass and verify flame quality.



8. Adjust the flame height to its highest position - the flames should not contact the top of the firebox. Check the flame on lowest position. The flames should burn off each burner hole. If the heater does not work correctly, contact your Travis dealer for a remedy.
9. Give this manual to the home owner for future reference and fully explain operation of this heater. For comprehensive operating and maintenance instructions, refer to the Owner's Manual.

# 38 Finalizing the Installation (for qualified installers only)

## Glass Frame Removal and Installation



**WARNING:** Prior to removing the glass, shut off gas to the appliance (or remove the batteries from the battery box and shut off electricity to the fireplace). This prevents any chance of accidental burner ignition when accessing the firebox.

**Warning:** The appliance must be completely cool before removing the glass.

**Warning:** Do not strike or slam the glass.

Remove the glass trim (see directions to the right).

The glass frame is held in place with two latches along the top and two slots, with brackets, along the bottom. Insert the glass latch tool into the latch, pull it forward and up to detach the latches (see pictures below). Once the latches are free, pivot the frame out and lift it off the brackets at the bottom of the glass frame.

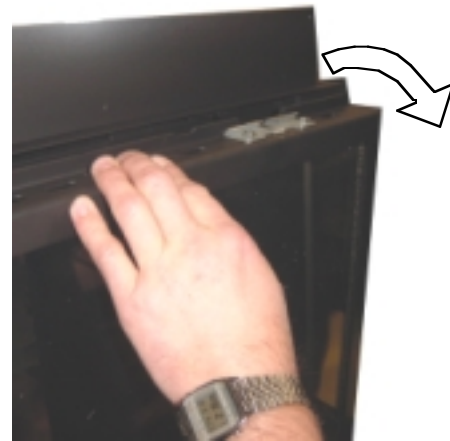
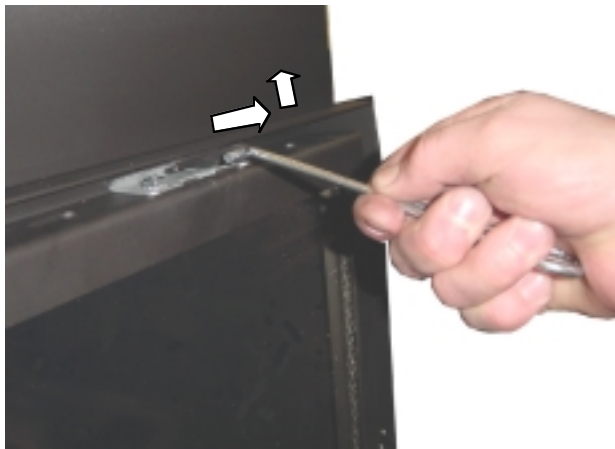
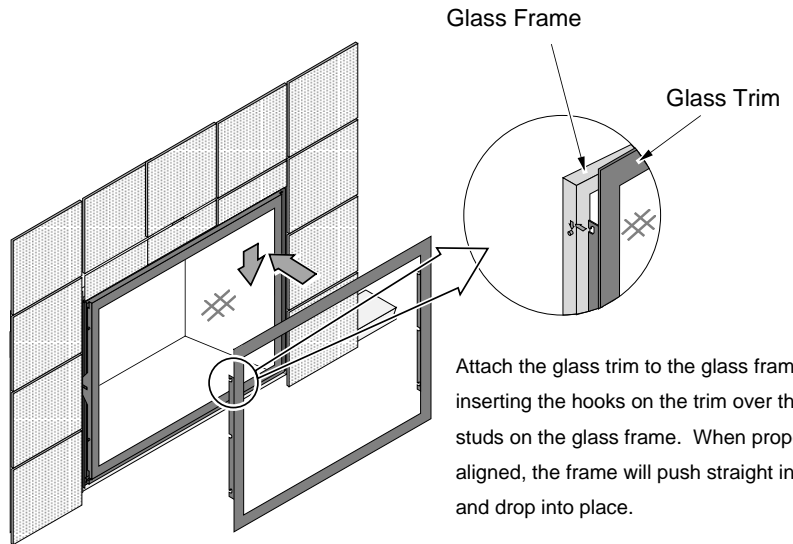


Figure 25

## Log Set Installation

### Ember Placement

Place the embers along the firebox floor and burner to help conceal the *burner*. Make sure none of the embers are directly over the burner holes. See the photo below.

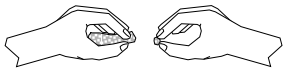


### Rock Wool Placement

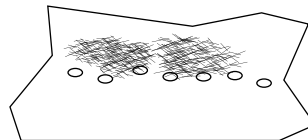
The rock wool must be pulled apart and made into a thin gauze prior to placing over the burner. See the illustration below for details.

**NOTE:** Propane (LP) units use a lighter amount of rock wool than natural gas units.

#### Preparing the Rock Wool:



The rock wool comes in one clump. Tear off "dime" sized clumps and flatten. Then pull on the wool to create gauze-like pieces. The wool glows best when very thin and porous.



Place small pieces of rock wool next to the burner holes in visible locations. Place the rock wool sparingly so it does not cover large areas of the burner.

**WARNING:** If the rock wool is too thick or placed so it obstructs the flow of gas, sooting will occur.

## 40 Finalizing the Installation (for qualified installers only)

### Log Installation

**NOTE:** The logs are a mirror-image (same logs fit on left and right side). Both the 36 CF See Through (ST) and Pier use the same log set. See the pictures below for log placement

#### Bottom 3 logs.



#### Middle 2 logs.





Top 2 logs (last 2 logs)



Picture from opposite side



## 42 Finalizing the Installation (for qualified installers only)

Picture from end (Pier only)



## ***LP Conversion Instructions***

**Install the conversion kit prior to installing the fireplace to ensure proper gas use.**

- 1 Remove the glass (see page 36). Remove the logs and coals (if installed - page 39)
- 2 Remove the grate (4 screws hold it in place).



- 3 Remove the two shelves on the side of the orifice cover (2 screws hold each one in place).



- 4 Remove the orifice cover (the plate over the air shutter levers – 2 screws hold it in place).



## 44 Finalizing the Installation (for qualified installers only)

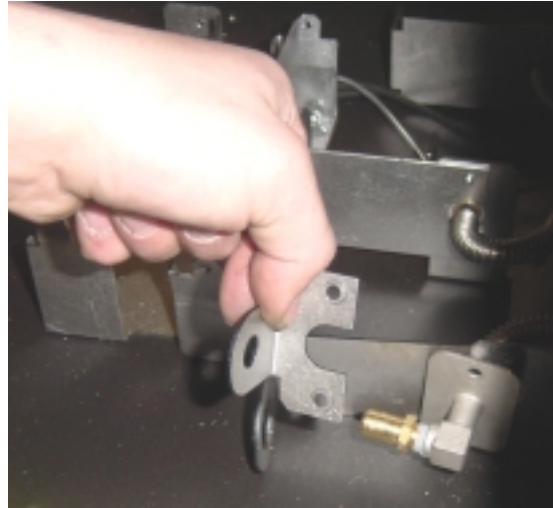
- 5 Remove both side burners (4 screws hold each one in place).



- 6 Remove the center burner (2 screws hold it in place).



- 7 The manifolds that secure the three orifices are visible at this point. Detach the air shutter stopper on the mixing tube brackets to gain full access to the orifices (2 screws hold them in place).



- 8 Remove the NG orifices and replace with the LP orifices. See the table below for correct orifice selection (each orifice is stamped for identification).  
**NOTE:** The LP orifice kit only includes two #56 orifices (these install on the side burners). For the center burner, remove one of the side burner orifices (# 52 - shipped on the fireplace for NG configuration) and place it on the center manifold.

ORIFICE TABLE	Center Burner	Side Burner (2)
NG	#32	#52
LP	#52	#56

- 9 Switch the pilot hood to the “LP” size following the directions below.

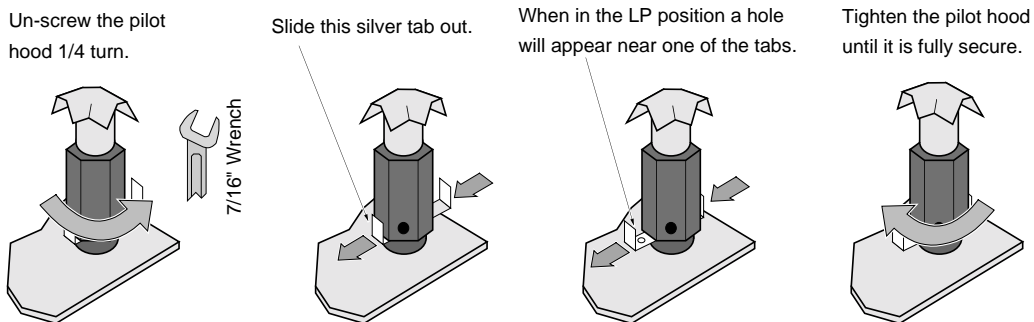


Figure 26

**NOTE:** The sliding portion of the pilot orifice may be positioned differently. Instead of pulling it towards you, you may push it away. Either way – when the hole appears near the tab, the orifice is in the LP position.

- 10 Remove the cover over the gas control valve.

## 46 Finalizing the Installation (for qualified installers only)

- 11 The gas control valve has a propane conversion shaft that alters the outlet pressure. Remove the rubber cap over the propane conversion shaft and twist the small knob so the line points to "LP" (see Figure 27).

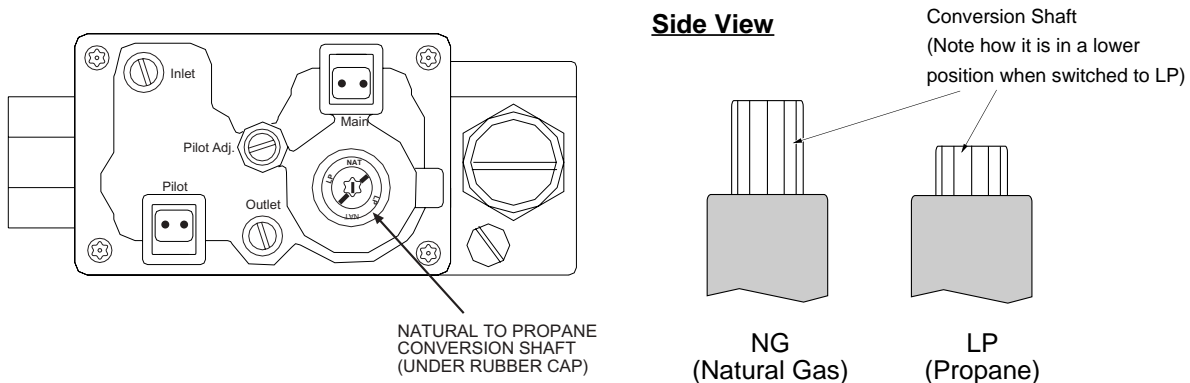


Figure 27

- 12 Remove the NG rate screw and replace it with the LP rate screw included in the owner's pack (see Figure 28). Take care to not damage the rubber o-ring on the rate screw when installing.

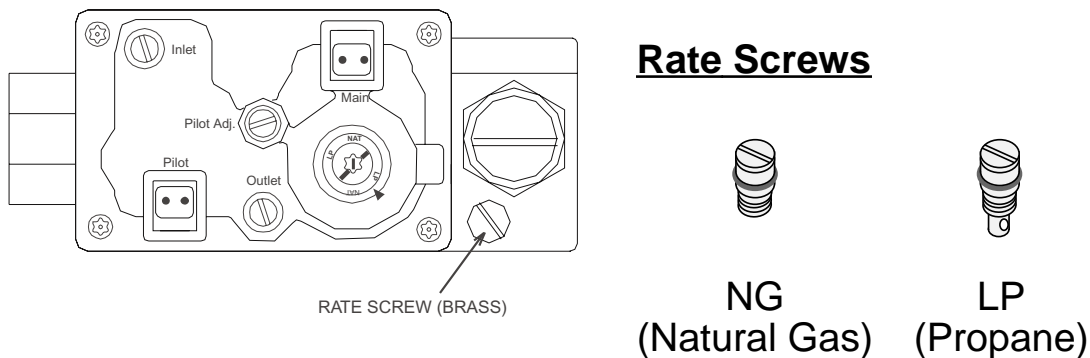


Figure 28

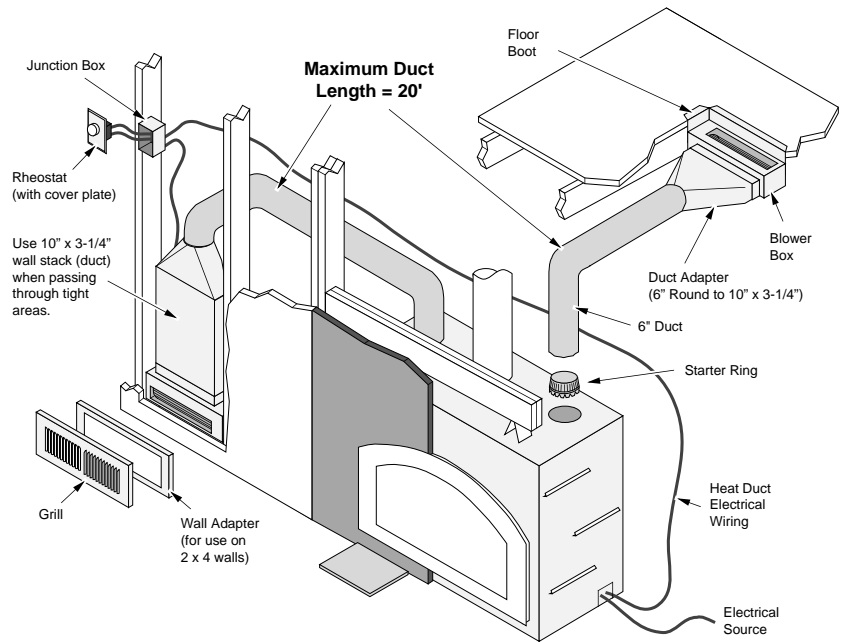
- 13 Return the fireplace to the correct configuration (replace firebox and valve cover components).
- 14 The fireplace receiver module will need to be configured for LP. This is done by pressing and holding the "Learn" switch **FOR 20 SECONDS** (see "Battery Pack / Learn Switch Installation" on page 15). The receiver will give off a short beep (less than 1 second) when configured for LP. The receiver will give off a long beep (3 seconds) when configured for NG. By pressing the switch for 20 seconds, you toggle between the two settings.
- 15 Make the gas line connection, bleed the gas line (if applicable), start the heater and thoroughly leak-test all gas connections and the gas control valve (see Gas Line Requirements on page 18 for details). Check the pilot and adjust if necessary.

## Power Heat Duct Installation

The optional power heat duct may be used with this fireplace. Refer to the part numbers below if you wish to install this accessory. Instructions are included with the power heat duct.

- **Power Heat Duct (98500769)**
- **1080/36 ST-Pier CF Power Heat Duct Wiring Kit (94400995) - required for thermodisk controlled on/off operation**

**NOTE:** The power heat duct must be attached at the time of fireplace installation.



## Andiron Installation

This fireplace includes four andiron brackets that allow for use of the optional andirons. Follow the directions below if installing andirons. **NOTE:** The firebacks should be installed prior to installing the andirons.

- 1 The andiron clip attaches to the front of the burner (there are two on each side for a total of four). Remove the screw and attach the clip. **NOTE:** the firebacks are not pictured in the pictures.
- 2 Secure the andiron to the clip with the bolts included with the andirons. We recommend you pre-thread the andirons to ease installation.



## Index

Andiron Installation .....	47	Installation Options .....	6
Additional Items Required .....	7	Listing Details .....	2
Air Shutter Adjustment .....	37	LP Conversion Instructions .....	43
Altitude Considerations .....	19	Mantel Requirements .....	35
Approved Vent .....	19	Minimum Framing .....	11
Battery Installation .....	16	Overview .....	2
Battery Pack / Learn Switch Installation .....	15	Packing List .....	7
Clearances .....	10	Power Heat Duct Installation .....	47
Dimensions .....	6	Preparing the Fireplace Stand-offs .....	9
Non-Combustible Facing .....	34	Raised Fireplaces .....	10
Facing Requirements .....	33	Recommended Installation Procedure .....	7
Fireplace Placement Requirements .....	10	Remote Synchronization .....	17
Framing Dimensions – .....	12	Safety Precautions .....	4
Gas Inlet Pressure .....	18	Specifications .....	6
Gas Line Connection .....	18	Termination Requirements .....	30
Gas Line Requirements .....	18	Vent Clearances .....	20
Glass Frame Removal and Installation .....	38	Vent Installation .....	19
Hearth Requirements – Recessed Hearth .....	32	Vent Requirements .....	19
Hearth Requirements .....	31		