

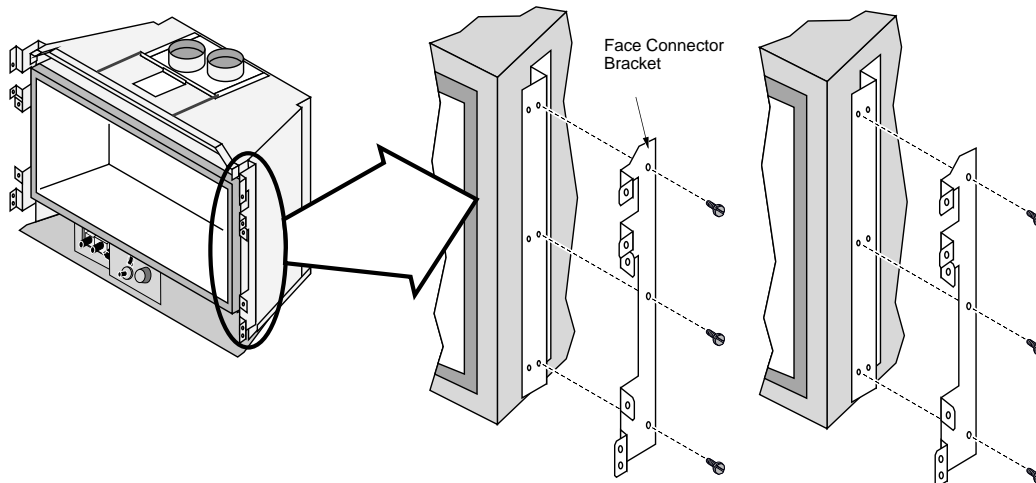
Compatibility

- DVS Insert
- 31 DVI Insert

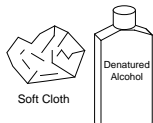
NOTE: On newer units (2008 or later), leave the glass on and move the face connector to the forward position (see illustration below). For older units, remove the glass.

Remove the face connector bracket from the heater (on both sides).

Re-attach the face connector to the heater using the forward mounting holes.

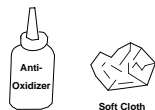


Warnings



Plated Surfaces Warning:

Any marks left on the optional plated surface may become etched-in by the heat of the appliance. Use denatured alcohol and a soft cloth to clean.



Copper Surfaces Warning:

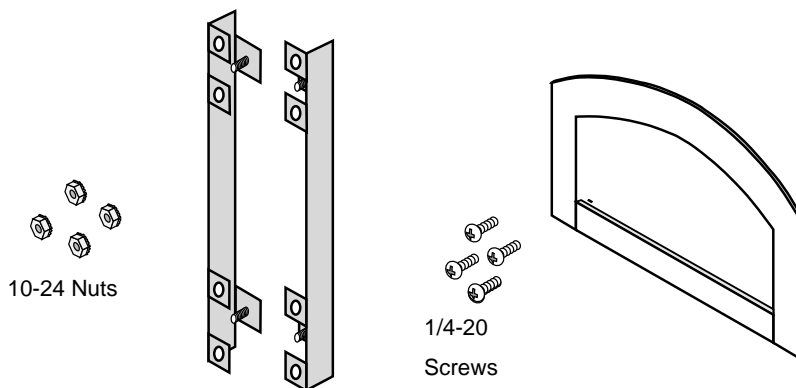
Use the included anti-oxidizer to clean the optional copper surface. See the included instruction sheet for full details.



Warning:

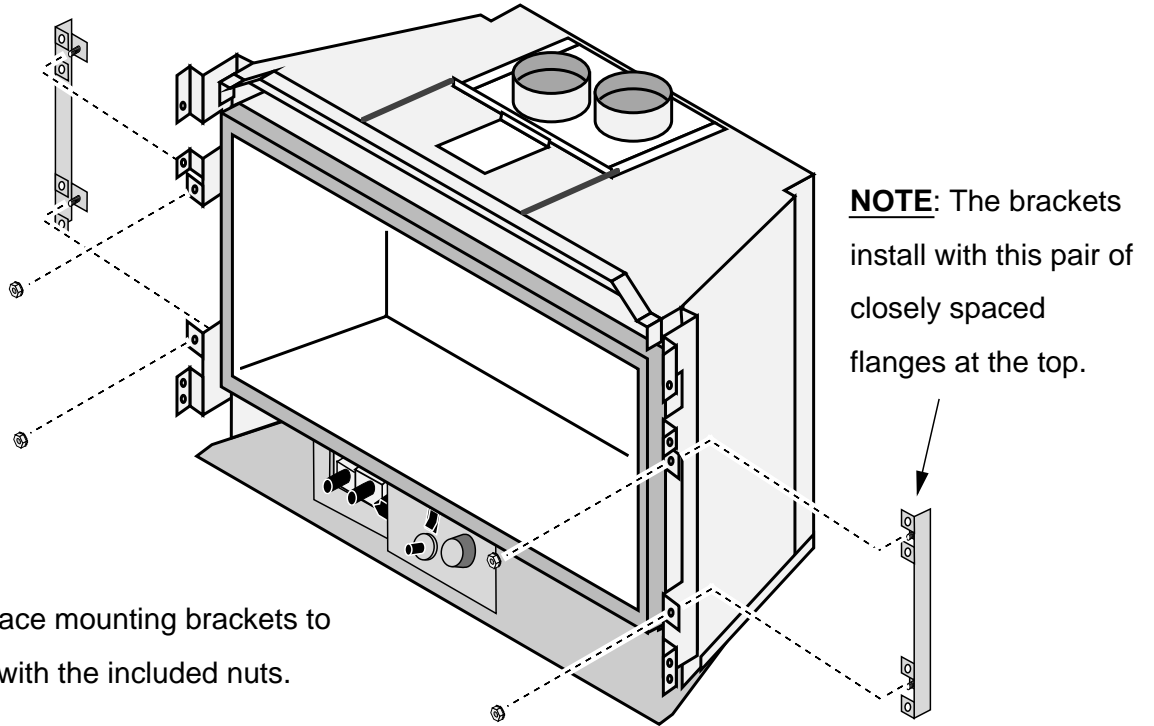
Make sure the heater has fully cooled prior to conducting service.

Packing List





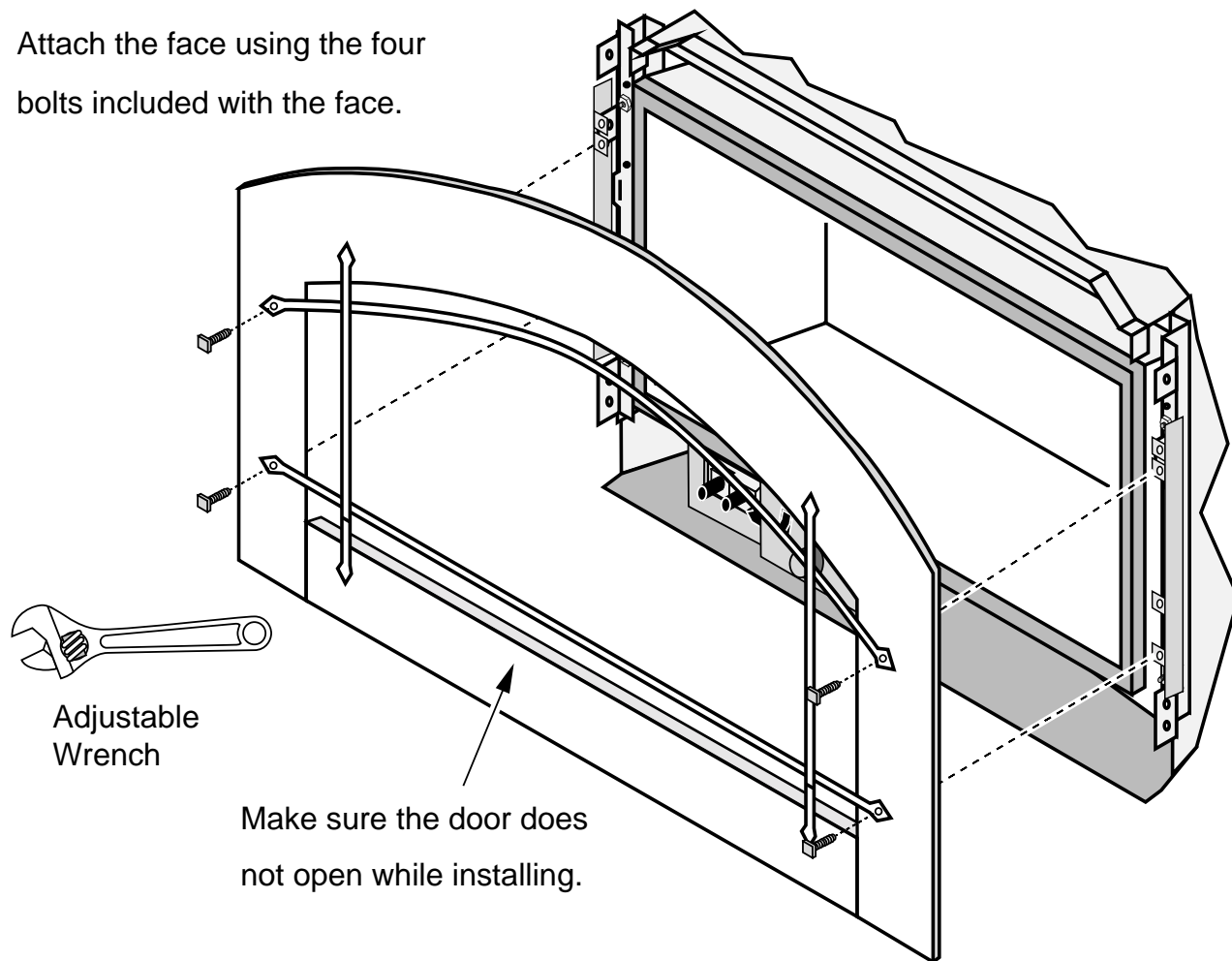
Bracket Installation



Install the face mounting brackets to the heater with the included nuts.

Face Installation

Attach the face using the four bolts included with the face.

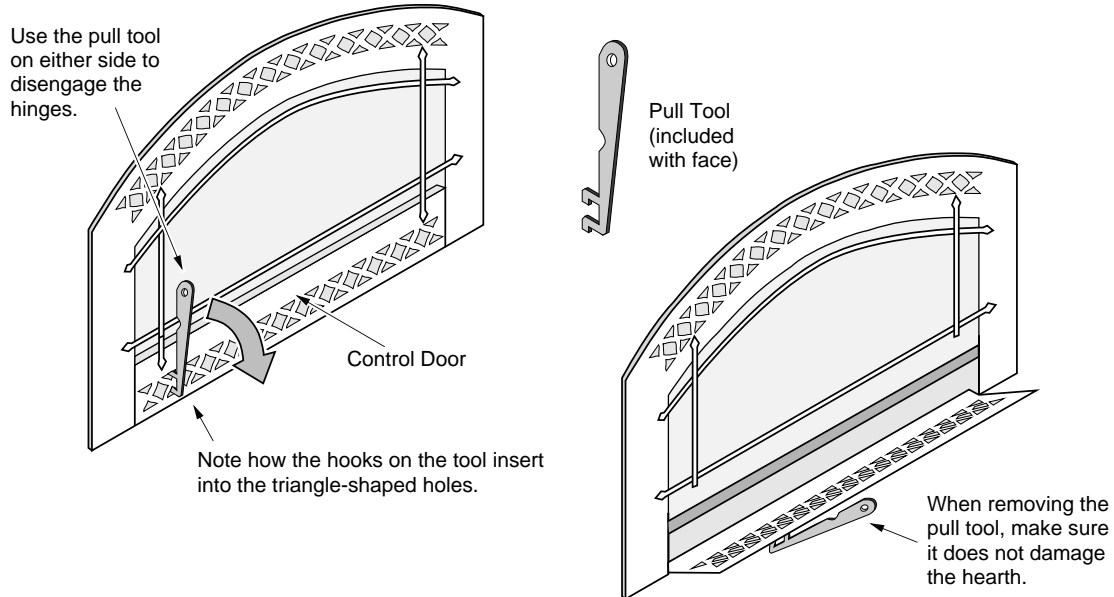


Opening the Control Door



Warning:

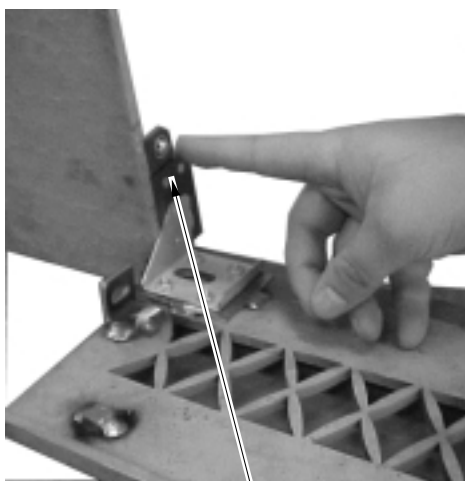
The face becomes very hot during operation. Use the included handle open the control and take care to not touch any of the hot surfaces.



Adjusting the Control Door

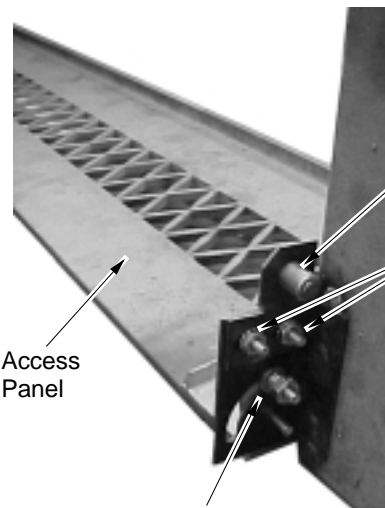
The control is adjusted at the factory. See the directions below if further adjustment is necessary.

Bullet Catch



This bullet-shaped device holds the control door upright. To tighten or loosen the catch, simply rotate it (it is threaded inside the assembly).

Back of Face (with face removed)



Access Panel

Back of Bullet Catch

These two nuts hold the bullet catch assembly. If the top of the control door is not aligned, these nuts can be loosened to re-align the bullet catch assembly.

Adjust this nut to tighten or loosen the friction of the hinge.