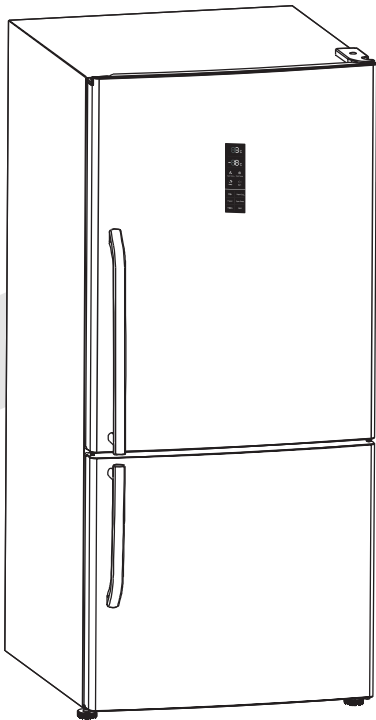


Hisense

USER'S OPERATION MANUAL



TYPE NUMBER: H610BS

MODEL NUMBER: RD-60WC4SZA

Before operating this unit, please read this manual thoroughly,
and retain for future reference



Email: service@hisense.co.za
Switch board line: - 011 314 7718
Fax: -011 314 7725/6
Sharecall line: - 0860 HISENSE
- 0860 4473673

Hisense Guarantee Conditions

1. We guarantee the working of your product for a minimum of 12 months. The guarantee period may vary between retailers, but will never be less than 1 year.

2. This repair warranty does not replace any implied warranty you might have in terms of law.

3. Please bring a copy of the slip (proof of purchase) that you received when you bought the product to the store when you bring it back for repair. An example of a proof of purchase is a cash slip or Hire Purchase Agreement (H.P.Agreement).

4. The guarantee will no longer be valid if any of the following happen:

4. 1. If the product is not correctly installed, delivered or maintained.

4. 2. If the product fails because:

- it is abused
- not used properly or correctly as explained in the instruction manual
- used for a purpose for which it was not designed or used commercially (non-household use).

4. 3. A voltage fluctuation (lightning strike, sudden surge or difference in the electricity supply to the product) caused the product to fail.

4. 4. The product is infested with insects or other pests (such as cockroaches, rodents etc) which causes the product to fail.

4. 5. If you take the product to a person who is not authorised to repair a Hisense product during the guarantee period.

4. 6. If water or liquid caused the damage to the product.

4. 7. If the warrantee seal is tampered with.

5. In terms of the Consumer Protection Act 68 of 2008 the repair on your product is also guaranteed for a further 3 months after it has been repaired.

6. If any of the conditions in clause 4 above voids (invalidates or cancels) the guarantee then we will repair the product for you at our normal repair rates.

7. If a product is booked for repair and is found not to be faulty, Hisense may charge a fee for the labour and transport involved. This also applies if we find that the product was faulty because you misused or abused it (as stated in clause 4.2 above)

8. Important note: In order to make sure you get to use the guarantee we give you and for the protection of your product when returning it, please keep the box your product came in as well as the packaging.

Dear customer,

Before placing your new refrigerator/freezer into operation, please read these operating instructions carefully. They contain important information for safe use, for installation and for care of the appliance.

Please keep these operating instructions for future reference. Pass them on to possible new owners of the appliance.

Notes which are important for your safety or for the proper functioning of the appliance are stressed with a warning triangle and/or with signal words (Warning!, Caution!, Important!). Please observe the following carefully.

Supplementary information regarding operation and practical applications of the appliance appear after this symbol.

Tips and notes concerning economical and environmentally sound use of the appliance are marked with the cloverleaf.

The operating instructions contain instructions for the correction of possible malfunctions by the user in the section "Trouble shooting" . If these instructions should not be sufficient, contact your local Service Force Center.

Contents

Brief introduction.....	3	Using your appliance.....	9
Important safety instructions.....	3	Helpful hints and tips.....	11
Installing your new appliance.....	5	Cleaning and care.....	11
Description of the appliance.....	7	Trouble shooting.....	12
Display controls.....	8	Before requebefore service.....	13
		Disposal of the appliance.....	14

Brief introduction

Thank you for your choosing our products. We are sure you will find your new appliance a pleasure to use. Before you use the appliance, we recommend that you read through these instructions carefully, which provides details about its usage and functions.

- Please ensure that all people using this appliance are familiar with its operations and safety features. It is important that you install the appliance correctly and pay attention to the safety instructions carefully.
- To avoid any damages that are always present when you use this kind of appliance,

we recommend that you keep this user's manual with the appliance for future reference and retain it to any future users. This appliance is intended to be used in household and similar applications such as:

- Staff kitchen areas in shops, offices and other working environments;
- Farm houses and by clients in hotels, motels and other residential type environments;
- Bed and breakfast type environments;
- Catering and similar non-retail applications.

If the appliance is not functioning correctly, please check the "Troubleshooting" chapter to find the solution. If still in doubt, please contact an authorized, qualified engineer.

Important safety instructions

General safety and daily use



It is important to use your appliance safely. We recommend that you follow the tips below.

- Store any food in accordance with the storage instructions from the manufacturer.
- Don't use mechanical devices or any other means to speed up the thawing process, unless they are approved by the manufacturer.
- Don't try to repair the appliance yourself. It is dangerous to alter the specifications or modify this product in any way. Any damage to the cord may cause short circuit, fire or electric shock.
- Don't place anything directly against the air outlet on the rear wall of both the refrigerator and the freezer, as it affects the efficient

- Don't place hot items near the plastic components of this appliance. Frozen food must not be refrozen once it has been thawed out.
- Don't store carbonated or fizzy drinks in the freezer compartment as it might create pressure on the container, which may cause explosion or damage to the appliance.
- Don't store explosive substances such as aerosol cans with a flammable propellant in this appliance.
- Keep burning candles, lamps or any other items with baked flames away from the appliance to avoid risk of fire.
- Don't lick ice popsicles straight from the freezer, they can cause burns your lips and mouth.

- Don't put too much food in the crisper, drawers and door racks to avoid damages to the appliance and the risk of hurt caused by food falling off.

Safety for children and infirm persons



This appliance is not intended for use by persons (including children) with reduced physical, sensory or mental capabilities, or a lack of experience and knowledge, unless they have been given supervision or instruction concerning the use of the appliance by a person responsible for their safety. Children should be supervised to ensure that they do not play with the appliance.

- Keep all packagings away from children to avoid risk of suffocation.
- Protect children from being scalded by touching the very hot compressor at the rear bottom of back.
- Do not place items on top of the appliance as this could cause injury should they fall off.
- Never allow children to play by hanging or standing over or on the doors, racks, shelves, drawers etc.

Safety about electricity



To avoid the risks that are always present when using an electric appliance, we recommend that you pay more attention to the instructions about electricity below.

- Unpack the appliance and check through the appliance. If you find something bad, don't plug in the appliance but contact the shop immediately from where you purchased it. Keep all the packing materials in this case.
- We recommended that you wait for 4 hours before connecting the appliance to allow the refrigerant to flow back into the compressor.
- The appliance must be plugged into single phase alternating current of 220~240V/50HZ. If the voltage fluctuates exceeding the upper limit, A.C. automatic voltage regulator of more than 350W should be applied to the refrigerator for safety use.

- The main plug must be accessible when the appliance is installed.
- Make sure that the appliance is grounded properly. If still in doubt, call a qualified, registered electrician.
- Make sure that the plug is not squashed or damaged; it may overheat even cause a fire.
- Don't insert the main plug if the socket is loose, there is a risk of electric shock or fire.
- Switch off the appliance connected to the power before you clean or move it.
- Don't unplug the appliance by pulling the electrical cord to damage it, but grip the plug firmly and pull straight out.
- Don't operate the appliance without the light cover of interior lighting.
- Any electrical component must be replaced or repaired by a qualified electrician or authorized service engineer. Only genuine spares should be used.
- Don't use electrical appliances (such as ice cream makers) inside the food storage compartments of the appliance, unless they are approved by the manufacturer.

Risk of fire and R600a refrigerant



The appliance contains a small quantity of refrigerant isobutene (R600a) in the refrigerant circuit.

It is environmentally friendly and non-synthetic, but nevertheless flammable.

- Ensure that no parts of the refrigerant circuit are damaged anytime.
- Avoid open flames and sources of ignition.
- Ventilate the room thoroughly in which the appliance is located.
- Never store flammable liquids or liquids inside the refrigerator, which there is a risk of explosion.
- Don't store explosive substances such as aerosol cans with a flammable propellant in this appliance.
- Keep burning candles, lamps or any other items with baked flames away from the appliance to avoid risk of fire.

Installing your new appliance

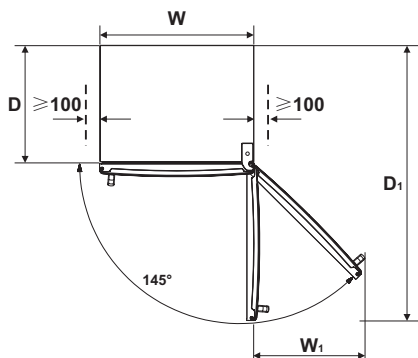
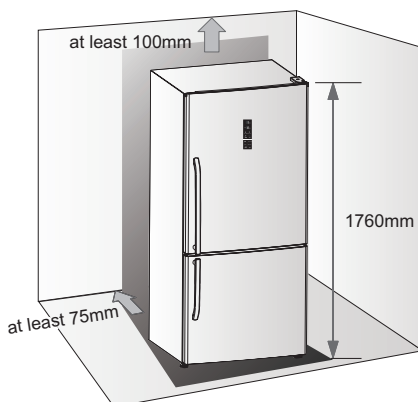
Ventilation of appliance



In order to improve efficiency of the cooling system and save energy, it is necessary to maintain good

ventilation around the appliance for the dissipation of heat. The diagram on page 4 shows the recommended space for ventilation of the refrigerator.

- It is advisable for there to be at least 75mm of space from the back to the wall, at least 100mm from its top and a clear space upfront, at least 100mm from its side to the wall.
- When positioned in a corner area, spacing of enough clearance area (at least W_1) on the hinge side will allow the doors to open enough to enable the removal of drawers and shelves.



Relevant information

Constant /mm Model	W	W ₁	D	D ₁
RD-60WC4SZA RD-60WC4SZASS	790	610	600	1425

Location of appliance



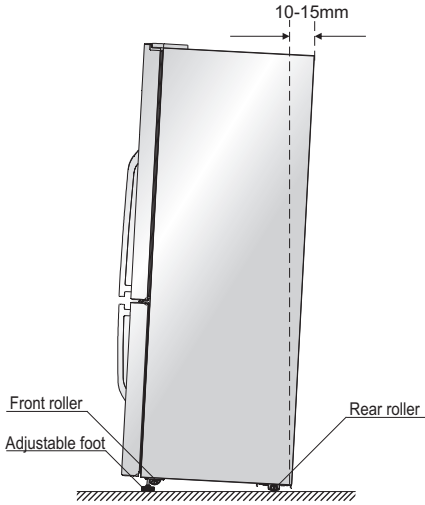
It's essential to find a suitable place to locate your new appliance to ensure its efficient operation.

- Choose a location for your appliance that isn't too cold or too hot.
- Stand your appliance in a dry place to avoid high moisture. Don't put the appliance in frosty or unprotected areas.
- Keep the appliance out of direct sunlight or rain. Stand the appliance away from heat sources such as stoves, fires or heaters.

Leveling of appliance

The appliance should be level in order to eliminate vibration. We recommend that you level the appliance by the following steps.

1. Roll the refrigerator into place.
 2. Turn the adjustable feet (with your fingers or a suitable spanner) until it touches the floor.
 3. Tilt back the top backwards for about 10-15 mm by turn the feet 1-2 turn further. This will allow the doors to self-close, providing a consistent closed seal.
 4. Whenever you want to move the appliance, remember to turn the feet back up so that the appliance can roll freely. Reinstall the appliance when relocating.
- Caution!** The rollers, which are not castors, should be only used for forward or backward movement. Moving the refrigerator sideways may damage your floor and the rollers.



After the installation

● After you have successfully installed the appliance, you should clean it thoroughly before using. Cleaning details can be found in the “Cleaning and care” chapter.

Ambient Room Temperature Limits

This fridge/freezer is designed to operate in ambient temperatures specified by its temperature class marked on the rating plate.

Class	Symbol	Ambient Temperature range(°C)
Extended Temperate	SN	+10 to +32
Temperate	N	+16 to +32
Subtropical	ST	+16 to +38
Tropical	T	+16 to +43

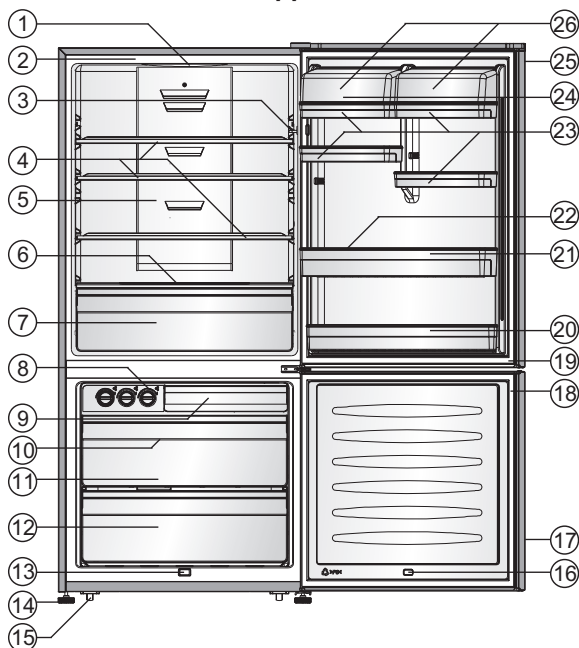
Changing the LED light

The LED light must not be replaced by the user! If the LED light is damaged or not working, please contact an authorized, qualified electrician for assistance.

Description of the appliance

- ① LED light(inside)
- ② Cabinet
- ③ Door switch
- ④ Glass shelf
- ⑤ Wind channel
- ⑥ Humidity control
- ⑦ Crisper
- ⑧ Twist ice tray
- ⑨ Upper freezer drawer
- ⑩ Ice storage box(inside)
- ⑪ Middle freezer drawer
- ⑫ Lower freezer drawer
- ⑬ Sensor
- ⑭ Adjustable foot
- ⑮ Roller
- ⑯ Magnetic switch
- ⑰ Freezer door
- ⑱ Freezer gasket
- ⑲ Refrigerator gasket
- ⑳ Lower door rack
- ㉑ Middle door rack
- ㉒ Bottle holder
- ㉓ Small door rack
- ㉔ Egg tray(inside)
- ㉕ Refrigerator door
- ㉖ Door rack cover

View of the appliance



Note:Due to unceasing modification of our products, your refrigerator may be slightly different from this Instruction Manual, but its functions and using methods remain the same.

Note:Shelves and drawers are arranged for optimum energy efficiency on delivery.

Display controls

The control panel consists of 2 areas indicating temperature, 4 icons representing different mode and 6 touch buttons. When the appliance is powered on for the first time, the display with icons backlighting starts working. If no buttons have been pressed and the doors are closed the backlighting will turn off after 60 seconds.

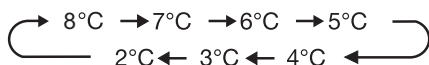


Controlling the temperature

We recommend that when you start your refrigerator for the first time, the temperature for the refrigerator is set to 3°C and the freezer to -18°C. If you want to change the temperature, follow the instructions below. **Caution!** When you set a temperature, you set an average temperature for the whole refrigerator cabinet. Temperatures inside each compartment may vary from the temperatures displayed on the panel, depending on how much food you store and where you place it. High or low room temperature may also affect the actual temperature inside the appliance.

1. Fridge

Press "Fridge" to set fridge temperature between 8°C and 2°C as needed, and the control panel will display corresponding value according to the following sequence.



2. Super Cool

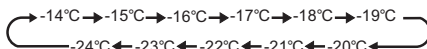
Super Cool can refrigerate your food faster, keeping food fresh for a longer period.



- Press "Super Cool" button to activate the super cool function. The light will be illuminated and the refrigerator temperature setting displays 2°C.
- Super cool automatically switches off after 6 hours .
- When super cool function is on you can switch off super cool function by pressing "Super Cool" or "Fridge" button and the Fridge temperature setting will revert back to it's previous setting.

3. Freezer

Press "Freezer" to set freezer temperature between -14°C and -24°C as needed, and the control panel will display corresponding value according to the following sequence.



4. Super Freeze

Super Freeze can quickly lower frozen temperature and freeze your food faster than usual. This can lock the vitamins and nutrition of fresh food and keep your food longer.



- Press "Super Freeze" button to activate the super freeze function. The light will come on and the freezer temperature setting displays -24°C.
- In case of the maximum amount of food to be frozen, we recommend that you let the appliance operates for 6 hours first.
- Super freeze automatically switches off after 26 hours .
- When super freeze function is on you can switch off super freeze function by pressing "Super Freeze" or "Freezer" button and the freezer temperature setting will revert back to it's previous setting.

5. Holiday



If you are going to be away for a long period of time such as a long holiday or business trip, you can activate this function by pressing "Holiday" button for 3 seconds until the light will be illuminated.

● When the holiday function is activated, the temperature of the fridge is automatically switched to 15°C. The fridge temperature setting displays "-" and the freezer compartment remains on.

Important! Do not store any food in the fridge during this time, or they will soon go off.

● When the holiday function is on, you can switch off it by pressing any button of "Holiday", "Fridge" and "Super Cool" button. The fridge temperature will revert back to its previous setting.

6. Alarm



In case of alarm, "Alarm" icon will be on and there will be buzzing sound. Press "Alarm" key to clear alarm and then "Alarm" icon will turn off and stop buzzing.

Door Alarm

● When door of fridge or freezer is open for over 2 minutes, door alarm will come on. In case of door alarm, buzzer will sound 3 times per minute and stop alarm 10 minutes later.

● To save energy, please avoid keeping doors open for a long time when using refrigerator. In case of door alarm, it can also clear door alarm by closing the doors.

Temperature alarm

● If freezer temperature is too high due to power failure or other reasons, it will give temperature alarm and the freezer temperature setting displays "--".

● In case of temperature alarm, buzzer will sound constantly for 10 times.

● In case of temperature alarm, press "Alarm" button for 3 seconds to check the highest freezer temperature. The temperature value and "Alarm" icon will simultaneously flash for 5 seconds.

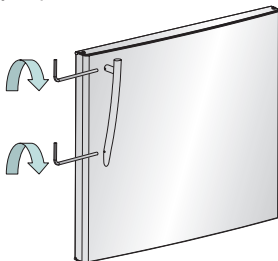
Caution! When refrigerator is powered on again, it is normal to appear temperature alarm and you can press "Alarm" to clear it.

Using your appliance

This chapter tells you how to use most of the useful features. We recommend that you read through them carefully before using the appliance.

1. Fixing the handle

Before you use the appliance, please check the handle. If the handle is loose you should fix it with a hexangular screwdriver in the clockwise direction until handles are securely in place.



2. Using your refrigerator chamber

The refrigerator chamber is suitable for storage of vegetables and fruits. Food inside shall be packed to store in order to avoid losing moisture or flavor permeating into other foods.

Caution! Never close the refrigerator door while the shelves, crisper and/or telescopic slides are extended. It may damage both them and the refrigerator.

Glass shelves and Door racks

The refrigerator chamber is provided with 3 glass shelves and several different door racks. They can be adjusted to various heights as needed.

● When you remove the shelves, gently pull them forward until the shelf comes clear of the shelf guides.

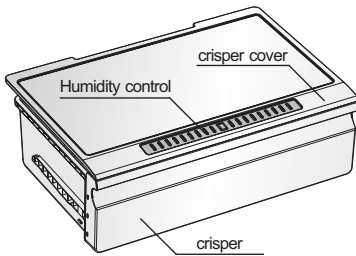
● When you return the shelves, make sure there is no obstacle behind and gently push

the shelf back into the position. All the door racks and covers are completely removable for cleaning.

Crisper and Humidity control

The crisper, mounted on telescopic extension slides, is for storing vegetables and fruits. You can adjust the humidity inside by using the sliding block.

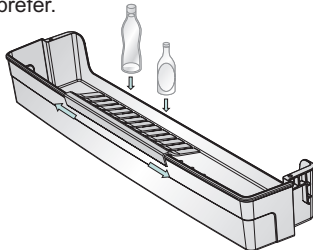
- The sliding block on crisper cover can slide to left or right and the air hole become more or less relatively. More air hole opening means less humidity and less means more humidity.
- We recommend that you store vegetables with more humidity and fruit less humidity.



- When you remove the crisper, pull them forward, then lift the crisper off the slides. Remember to empty food in the crisper firstly. Once you have removed the drawers, ensure the slides are pushed back fully.

Bottle holder operation

The bottle holder can be used to fix the bottle. You can place it on the middle or lower door rack and slide to left or right as your prefer.



3. Using your freezer chamber

The freezer chamber is suitable for storage of foods required to be frozen, such as meat, ice cream and others.

Caution! Never close the freezer door while the drawers, installation bracket, ice tray, and/or telescopic slides are extended. It may

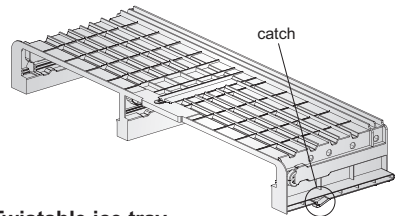
damage both them and the refrigerator.

- Ensure that drink bottles are not left in the freezer for a longer time than needed as freezing liquid may cause the bottle to break.

Installation bracket

The installation bracket is located under the top of the freezer chamber. In order to get more space in the freezer, you can remove the installation bracket.

- When removing the bracket, you can pull out the twistable ice tray and the upper freezer drawer, lift both the two catches on the left and right underside, and pull it forward until the bracket break from the three circular attachments. Then you should bend it at one side, slip it from the guide and finish removing the bracket.



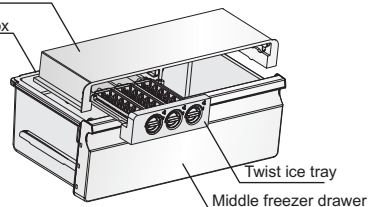
Twistable ice tray

The twistable ice tray is used to make and deposit ice cubes. You should use it as follows.

1. Pull out the twistable ice tray from the installation bracket.
2. Fill the drinking water inside (do not fill above the max water level).
3. Place the filled ice tray back to the bracket.
4. Await for around 3 hours, twist the knobs clockwise and the ice will drop into the ice box below.

Installation bracket

Ice box



Drawers

The drawers, mounted on telescopic extension slides, can be used to store rather more food. But the upper drawer is only for

small food items.

- The method for removing the drawers is

the same as the crisper in the refrigerator chamber.

Helpful hints and tips

Energy saving tips

We recommend that you follow the following tips to save energy.

- 1.Reduce the frequency and time to keep the door open.
- 2.Don't set the temperature colder than necessary.
- 3.Don't store warm foods or evaporating liquids in the appliance.
- 4.Locate the appliance in places with good ventilation. Further details can be found in the "Installing your new appliance" chapter.

Storage tips

- Place the vegetables, fruits and other foods separately.
- Do cover or wrap the foods carefully, particularly cooked foods or if it has a strong flavor.
- Choose position for the goods where air can circulate freely.
- Place butter and cheese in aluminum foil plastic bag removing as much air as l or

possible.

When initial start-up or after a long period out of use, let the appliance run at least 2 hours on higher settings before putting foods into the appliance.

- It is recommended to label and date each frozen package in order to keep track of the storage time.
- Separate foods into small portions to enable them to be frozen and thawed rapidly.

Switching off your appliance

If the appliance needs to be switched off for an extended period, the following steps should be taken to reduce the symptoms of mould:

- 1.Remove all food.
- 2.Remove the power plug from the mains socket.
- 3.Clean and dry the interior thoroughly.
- 4.Ensure that all the doors are wedged open slightly for air circulation.

Cleaning and care

For hygienic reasons the appliance (including exterior and interior accessories) should be cleaned regularly at least every two months.

Caution! Before cleaning, turn appliance off and remove power cord from the mains socket. This will ensure there is no chance of getting an electric shock.

Exterior cleaning

To maintain good appearance of your appliance, you should clean it regularly. Wipe the display panel with a clean, soft cloth. Spray water onto the cleaning cloth instead of spraying directly on the surface of the appliance. This helps ensure an even distribution of moisture to the surface. The doors, handles and cabinet surfaces should be cleaned with a mild detergent and then wiped dry with a soft cloth.

Caution! Don't use Benzene, Thinner or Clorox for cleaning. They may damage the surface of the appliance and can create a risk of fire.

Interior cleaning

You should clean the appliance interior regularly. It will be the easiest time to clean when the food supply is low. Wash the interior with a soft cloth and use an unscented mild soap with lukewarm water. Thoroughly dry all surfaces and removable parts.

● If the door is opened frequently, a light frost will occasionally occur on the freezer's interior. This is normal and will clear after a few days. If the freezer door is accidentally kept open, a heavy frost will coat the inside walls and should be removed.

Caution! Don't use sharp objects to remove frost from the freezer compartment.

Door seals

Take care to keep door seals clean. Sticky food and drink can cause seals to stick to the cabinet and tear when you open the door. Wash seal with a mild detergent and warm water. Rinse and dry it thoroughly after cleaning.

Troubleshooting

Foreword

How refrigerators operate: Refrigerators work by transferring heat from the food inside to the outside air. This operation makes both sideboards of the refrigerator (particularly at start-up) feel warm, which is normal. An evaporator, located behind the rear wall of the freezer chamber, removes moisture from the air inside.

● The appliance uses a high-speed compressor, along with other energy-efficient components, which may make unusual sounds. These sounds simply indicate your refrigerator is working as it should be.

● If you think something may be wrong with your appliance, you can carry out some easy checks before calling for service. You may locate the problem, sparing yourself from inconvenience, saving time and money.

Warning! Don't try to repair the appliance yourself. If the problem persists after you have made the checks mentioned below, contact a qualified electrician, authorized service engineer or the dealer where you purchased the product.

Problem	Possible cause & Solution.
Appliance is not operating	Check whether the power cord is plugged into the power outlet properly.
	Check the fuse or circuit of your power supply, replace if necessary.
	Temperature is set too low. Try adjusting the temperature to a colder level.
	It is always present that the freezer is operating during the automatic defrost cycle, or for a short time after the appliance is switched on.
Odours inside the fridge	The interior may need cleaning.
	Some foods, containers or wrapping cause odours.
Noise from the appliance	The sounds below are quite normal: <ul style="list-style-type: none"> ● Compressor running noises. ● Air movement noise from the small fan motor in the freezer chamber. ● Gurgling sound similar to water boiling. ● Popping noise during automatic defrosting.

	Clicking noise before the compressor starts.
	Other unusual noises below may need you to check and take action: The cabinet is not level. The back of appliance touches the wall. Bottles or containers fallen or rolling.
Appliance running more than normal	It is normal to frequently hear the sound of the motor, it will need to run more when the following happen: <ul style="list-style-type: none"> ● Temperature set colder than necessary. ● Large amount of warm food stored recently. ● The temperature outside the appliance is too high. ● Doors are kept open too long or too often. ● After your installing the appliance or it has been switched off for a long time.
Heavy frosting occurs in the freezer	If the doors are not closed fully, a heavy frost will coat the inside of the freezer. Just remove it and take care to properly close the doors.
Temperature inside is too warm	You may have the doors open too long or too frequently; or the doors are kept open by some obstacle; or the appliance is located with insufficient clearance at the sides, back and top.
Temperature inside is too cold	Increase the temperature refers to the "Display controls" chapter.
Doors can't be closed easily	Check whether the top of the refrigerator is tilted back 10-15mm to allow the doors to self close, or if something inside is preventing the doors from closing.
Water drips on the floor	The water pan (located at bottom of the back of the cabinet), may not be properly leveled, or the draining mouth (located underneath the top of the compressor depot) may not be properly positioned to direct water into this pan. You may need to pull the refrigerator away from the wall to check the pan and mouth.

Before Requesting Service

If the problem continues after taking the proper remedial actions, disconnect the power cord plug from the wall outlet.
Transfer the items stored in the fridge to a box or other container. Then contact the dealer from whom you purchased this unit and be ready to provide information as listed in "REQUIRED INFORMATION" below.

You are guaranteed with Hisense fridges. For detail, please see the Hisense guarantee condition at page 1.



CAUTION

To prevent any electrical shock hazards, do not disconnect the power cord plug from the wall outlet with wet hands.

Required Information

- | | |
|--|---|
| ① Nature of malfunction
(as accurately as possible) | ④ Customer's name, address,
phone number |
| ② Product number } | ⑤ Proof of purchase |
| ③ Serial number } (inscribed on badge) | ⑥ Desired date for service visit |

Disposal of the appliance



This symbol on the product or in its packaging indicates that this product may not be treated as household waste. Instead it should be taken to the appropriate collection point for the recycling of electrical and electronic equipment.

● By ensuring this product is disposed of correctly, you will help prevent potential negative consequences for the environment and human health, which could otherwise be caused by inappropriate waste handling of this product.

Caution! Before disposing, you should pull the plug out of the socket, cut the connection cable as close to the appliance

as you can. Break off any old locks as safeguard and remove the door to prevent children playing from suffering an electric shock or from closing themselves inside it. **Packing materials:** Most of the packing materials are recyclable. Please dispose of those materials through your local recycling depot or by placing them in appropriate collection containers.

When discarding the appliance, please contact your local authorities and ask for the correct method of discarding. For more detailed information about recycling of this product, please contact your local council, your household waste disposal service or the shop where you purchased the product.

Hisense