



SEBO AIRBELT K

MADE IN GERMANY

OWNER'S MANUAL

For Household Use Only



TABLE OF CONTENTS

Technical Details	2
Important Safety Instructions	3
Special SEBO Product Features	4
S-Class Filtration	4
Bag Full or Clog Warning – Auto Shut-Off	4
AIRBELT Shock Absorber.....	4
Identification of Parts	5
Assembly	5
Optional Attachments	5
Standard Attachments	5
Operating Instructions	6
Starting the Machine	6
Suction Control	6
Operating the Machine	6
Additional Operating Instructions for K3 with Power Head	7
Starting the Machine and Suction Control	7
Operating the Machine	7
Using the Telescopic Tube, Hose & Attachments	8
Use and Maintenance of Brushes and Heads	8
The Parquet Brush.....	8
The Kombi Nozzle	8
The Turbo Head.....	8
Vacuum Maintenance	9
Changing the Filter Bag	9
Changing the Micro-Hygiene Filter	9
Changing the Exhaust Filter.....	9
Changing the AIRBELT	9
Clog Removal	10
Clogs in the Head or Brush	10
Clogs in the Telescopic Tube	10
Clogs in the Hose	10
Clogs in Entrance to Filter Bag.....	10
Trouble-Shooting Guide	11
AIRBELT K2 Schematic and Part Numbers	12
AIRBELT K3 Schematic and Part Numbers	13
Warranty	14
How To Contact SEBO	14

TECHNICAL DETAILS

Vacuum motor	1250 watts (10.6 amps)
Water lift (at motor)	110 inches
Airflow (at motor)	120 CFM
Filter bag capacity	.8 gallons
Sound level	63 dBA
Body weight	12 lbs
Motor protection	thermal cut-out
Cord length	19 feet
Range	30 feet

Technical details may be subject to change.

IMPORTANT SAFETY INSTRUCTIONS



READ ALL INSTRUCTIONS BEFORE USING THIS MACHINE

When using an electrical appliance, basic precautions must always be followed.

To reduce the risk of electric shock, this vacuum cleaner has a polarized plug; one blade is wider than the other. This plug will fit in a polarized outlet only one way. If the plug does not fit fully in the outlet, reverse the plug. If it still does not fit, contact a qualified electrician to install the proper outlet. Do not change the plug in any way. Connect only to the outlet type specified on the serial number plate underneath the machine.

SAVE THESE INSTRUCTIONS.

WARNING: To reduce the risk of fire, electric shock, or injury:

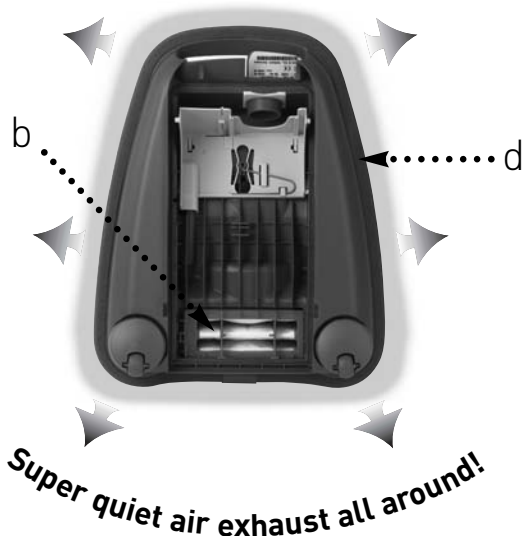
1. Do not leave vacuum while plugged in. Unplug from outlet when not in use and before servicing.
2. Do not use outdoors or on wet surfaces.
3. Do not use near small children or pets. Do not allow to be used as a toy. Use of this product by children should always be supervised by an adult.
4. Use only as described in this manual. Use only manufacturer-recommended attachments.
5. Do not use with a damaged cord or plug. If vacuum is not working as it should, has been dropped, damaged, left outdoors, or dropped into water, take it to a SEBO service center.
6. Do not pull or carry by cord, use cord as a handle, close a door on cord, or pull cord around sharp edges or corners. Do not run vacuum over cord. Keep cord away from heated surfaces.
7. Do not unplug by pulling on cord. To unplug, grasp the plug – not the cord.
8. Do not plug in if switch is in the “I” (ON) position.
9. Do not use outlets above counters to plug in vacuum – damage to items in the surrounding area could occur.
10. Always carry the vacuum over steps and sills.
11. Do not handle plug or vacuum handle with wet hands.
12. Do not put any object into vacuum openings. Do not use machine with any openings blocked. Keep openings free of lint, hair, and anything that may reduce air flow.
13. Do not re-use filter bags or wash the filters.
14. Do not remove any screws from vacuum.
15. Do not vacuum up anything that is burning or smoking, such as cigarettes, matches, or hot ashes.
16. Do not use vacuum without filter bag and/or filters in place.
17. Turn off all machine controls before unplugging.
18. Use extra care when cleaning on stairs.
19. Do not use machine to vacuum up flammable or combustible liquids such as gasoline or use in areas where they may be present.
20. Machines can cause a fire when operated near flammable vapors or materials. Do not operate this vacuum near flammable fluids, dust or vapors.
21. Maintenance and repairs must be done by qualified personnel.
22. Use only original SEBO replacement parts.
23. Do not use vacuum as a step.
24. If vacuum is used on plush carpet or carpet with thick padding, do not leave machine standing in one place with machine turned on.
25. While the vacuum is in use, the power cord should be unwound from the cable reel at least two thirds of its length. Hold plug when rewinding onto the cord reel. Do not allow plug to whip while rewinding.
26. Keep hair, loose clothing, fingers, and all parts of body away from vacuum openings and moving parts. Do not place fingers or other body parts under vacuum unless it is unplugged.
27. Do not place the power head over rug or carpet edges.
28. The vacuum has a manual reset thermal protector. The protector is reset by switching off the vacuum. The thermal protector needs some time to cool down after switching off! Check the vacuum for air blockages or mechanical failures before switching on.
29. Store the vacuum in a dry place at room temperature. When the vacuum is not in use, you should rewind the cord onto the cord reel.
30. Any other servicing should be performed by an authorized service representative.
31. The hose contains electrical wires. Do not use if damaged, cut, or punctured. Avoid picking up sharp objects.
32. Always unplug vacuum before connecting or disconnecting either hose or power head.
33. Use a SEBO power head only in combination with a SEBO vacuum cleaner.
34. Do not connect power head to a malfunctioning or damaged vacuum.

SPECIAL SEBO PRODUCT FEATURES

Your SEBO AIRBELT K canister vacuum is among the most technically advanced vacuum cleaners in the world. Some of its unique features are:

- **S-Class Filtration.** Certified by leading Allergy foundations in Europe, the AIRBELT K vacuum provides the user with S-Class filtration of 99.9% of particles to 0.3 microns. This is accomplished by the SEBO three-step filtration system. First, the three-layer full-size filter bag (a) collects the vast majority of the debris. Then, the remainder of the particles are collected by the hospital-grade microfilter (b). Finally, the micro-exhaust filter (c) cleans the exhaust air that the vacuum emits. The air belt disperses the filtered exhaust air around the canister which provides quiet, gentle air flow. SEBO's unwavering attention to the complete sealing of the machine ensures no dirt escapes around the microfilters. If the microfilters are changed regularly (every 10-20 bags), the AIRBELT K is perfect for allergy or asthma sufferers.
- **AIRBELT Shock Absorber.** Your SEBO canister vacuum has a unique soft bumper (d) which protects your furniture, walls and vacuum from damage. The AIRBELT disperses the filtered exhaust air around the canister which provides quiet, gentle air flow. Personalize your canister with a replacement AIRBELT textile cover available in a variety of patterns and colors (part # 6047 AM/01-08). See your SEBO Dealer.
- **Bag Full or Clog Warning Light – Auto Shut-Off.** If the vacuum's airflow pathway becomes restricted due to a full bag or the existence of a clog, the amber "BAG FULL OR CLOG" light (located on top of the canister near the ON/OFF power control knob) will illuminate. If the user ignores this warning, the suction motor will heat up due to the lack of cooling provided by the airflow. Once the motor reaches a certain temperature it will shut off to protect itself from damage. The user should turn the switch off, unplug the machine and immediately insert a new bag or remove the clog (to remove a clog, refer to the Clog Removal section on page 10). After approximately 30 minutes, the motor will have cooled and the vacuum can be restarted. If the airflow is still restricted, the "BAG FULL OR CLOG" light will again illuminate and the machine will shut off.

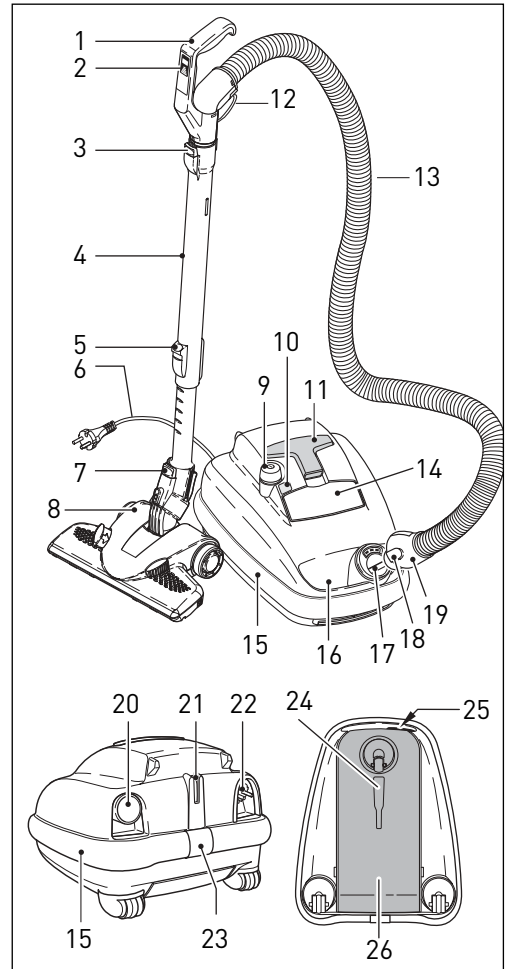
SEBO three-step filtration system



Bag full or clog warning light

IDENTIFICATION OF PARTS

- | | |
|-----------------------------------|------------------------------------|
| 1. Handle grip | 14. Exhaust filter cover |
| 2. Power control slider (K3 only) | 15. AIRBELT shock absorber |
| 3. Handle release button | 16. Carrying handle |
| 4. Telescopic tube | 17. Suction opening |
| 5. Slide button | 18. Hose release button (K3 only) |
| 6. Power cable | 19. Hose neck |
| 7. Tool release button | 20. Crevice nozzle |
| 8. Kombi nozzle | 21. Parking attachment holder |
| 9. On/Off power control knob | 22. Power cable shroud |
| 10. Warning light | 23. AIRBELT clip |
| 11. Upholstery Nozzle | 24. Parking attachment holder |
| 12. Mains cable (K3 only) | 25. Filter bag cover release catch |
| 13. Hose | 26. Filter bag cover |



Standard Attachments

- | | |
|------------------------|-----------------------|
| 27. Dusting brush clip | 20. Crevice nozzle |
| 28. Dusting brush | 11. Upholstery nozzle |

Brushes, Heads, Optional Attachments

- | | |
|--|--|
| 29. Premium Parquet nozzle - standard for the K3 and K2 Volcano. Optional for the K2 Midnight Blue & Hunter Green - Part # 7200 DG | 31. Turbo head - standard for the K2 Volcano & Hunter Green. Optional for the K3 and K2 Midnight Blue Part # 6780 ER |
| 30. Kombi nozzle - standard for the K2 Midnight Blue. Optional for the K3 and K2 Volcano - Part # 7260 DG | 32. Radiator brush - Part # 1496 HG |
| 32. Radiator brush - Part # 1496 HG | 33. Straight tube (20 in.) - Part # 1084 HG |
| 33. Straight tube (20 in.) - Part # 1084 HG | 34. AIRBELT - Available in several colors and patterns - Part # 6047AM/01-08 |

Power Heads - optional for the K3

- | | |
|---|---|
| 35. ET-1 Power head - Red: Part # 9299 AM; Orange: Part # 9272 AM | 36. ET-H Power head - Red: Part # 9257 AM |
|---|---|

ASSEMBLY

Push the neck (19) of the hose (13) into the suction opening of the canister (17). **K3:** The notch in the suction opening will line up with the raised bar on the neck. When the notches are lined up correctly, the neck will snap firmly into place. To release the hose from the suction opening, press the release tab (18) on the neck of the hose (19), and pull the neck out. **K2:** To release the hose from the suction opening, squeeze the tabs (37) on the retaining ring and pull the neck out.

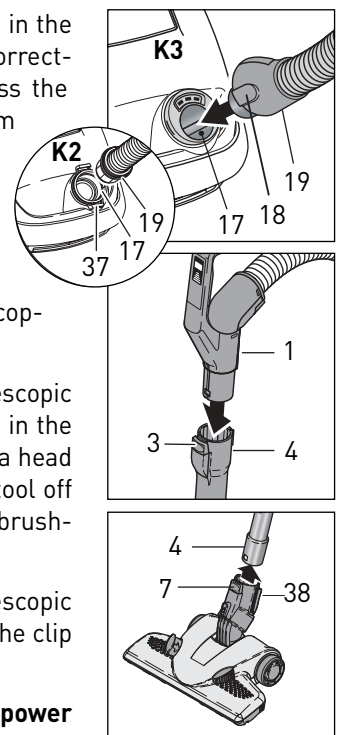
Attach the short mains cable (12 - K3 only) on the underside of the handle by connecting one cable plug where the hose connects to the handle and the other where the handle connects to the telescopic tube.

Connect the handle (1) to the top of the telescopic tube (4). Snap in place. To release the telescopic tube (4) from the handle, push the handle release button (3) and slide the handle out.

Attach the head or brush to the bottom of the telescopic tube (4). Insert the bottom of the telescopic tube into the neck of the head or brush (38) until it locks into place; or line up the square hole in the telescopic tube with the notches in the front of the neck, and snap firmly into place. To release a head or brush from the telescopic tube (4), push the release button (7), and pull the head or brush tool off the end of the telescopic tool. The release button (7) is in the same position on all of the heads, brushes and power heads.

To attach the dusting brush clip (27), locate the two raised ridges on the upper end of the telescopic tube (4) just below the handle. Push the clip onto the tube directly below the ridges then slide the clip up until it locks onto the ridges. Snap the dusting brush (28) into the holder.

NOTE: To attach a SEBO power head (ET-H or ET-1) to your K3 canister, please refer to your power head owner's manual (page 5) for instructions. Attaching incorrectly could cause damage.



NOTE: All illustrations shown in this manual represent the K3 model except where part numbers and instructions are different for each model.

OPERATING INSTRUCTIONS ALL K VACUUMS

Starting The Machine - Figures 1, 2 & 3

Before turning on your canister, make sure that you have a firm hold on the handle grip to keep the machine from moving forward.

1. With the canister main power control knob (9) in the OFF position, grasp the plug and pull the power cord (6) out from the power cable recess (22). The power cord (6) should be unwound from the cable reel at least two thirds of its length. **Note:** do not over-extend the cord.
2. Plug the polarized power cord into a 120 volt wall outlet located near the floor.
3. Press the main power control knob on the base of the canister (9) gently with your foot or hand. The green light (10) will illuminate indicating that the power is on (K3 model only).

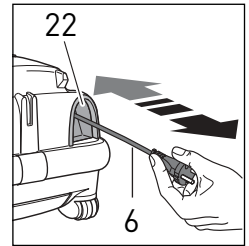


Figure 1

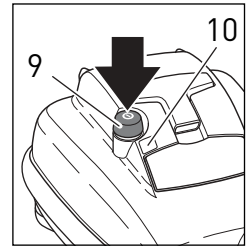


Figure 2 - K3

Suction Control - Figure 3

K2 users: the suction control dial is located on the top side of the canister on the power control knob (9). Rotate the dial counter-clockwise for maximum suction. Rotate clockwise to reduce suction for vacuuming curtains or delicate fabrics.

K3 users: for information on suction control, refer to page 7 of this manual.

Operating the Machine - Figures 4, 5, 6 & 7

Adjust the telescopic tube (4) to the correct height by pushing the slide button (5) and gently pulling the tube out to lengthen, or pushing it in to shorten. Release the slide button (5) to lock the tube to the adjusted height.

When changing heads, always switch the vacuum off with the power control knob (9), and then unplug the power cord.

The "bag full or clog" light (#10, figure 2) works correctly only at full power. At lower power levels, the "bag full or clog" light may illuminate incorrectly. Check the status of the filter bag regularly at full power. If the light remains illuminated at full power, and the filter bag is not full, check for clogs (see page 10).

To retract the cord, switch the vacuum off, unplug it from the outlet, then gently pull on the cord near the plug recess (22) and the mechanism will automatically rewind. Before rewinding the cable, always switch off and unplug the vacuum. Hold the plug while rewinding the cord onto the cord reel. Avoid letting the plug whip while rewinding.

The vacuum can be stored with the canister in a horizontal or vertical position. The Parquet nozzle, Kombi nozzle and Turbo head have a parking tab located on the front of the neck (39). Insert the parking tab into the upper side of the parking groove and slide down firmly. For vertical storage, or for easy carrying, use the parking slot on the underside (24). For horizontal storage, use the parking slot on the end of the canister (21).

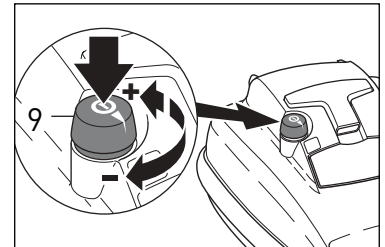


Figure 3 - K2

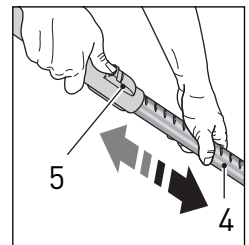


Figure 4

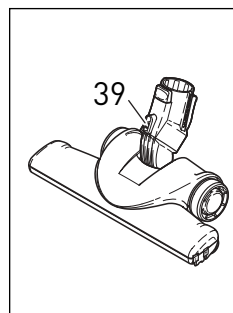


Figure 5

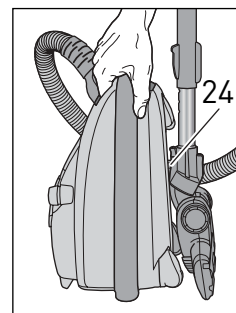


Figure 6

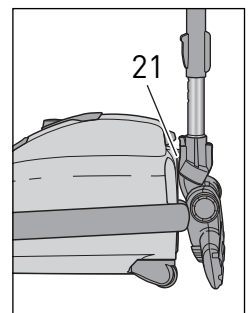


Figure 7



WARNING!

The quality, condition, coating, texture, age and manufacturing technique of all floor surfaces vary. Therefore, vacuums with rotating brushes, including your SEBO, may damage some floor coverings or surfaces. Some types of high-gloss hardwood floors, cushion vinyl, berber carpets, long shag, and delicate or hand-woven carpets are particularly vulnerable to damage by rotating brushes. When possible, consult the materials supplied by your flooring manufacturer for information on proper upkeep and cleaning. **To ensure that your new SEBO vacuum cleaner is compatible with your floor, please test the vacuum cleaner on each type of flooring surface in a small inconspicuous area to determine if any damage occurs. If damage occurs, stop using the vacuum cleaner immediately!**

ADDITIONAL OPERATING INSTRUCTIONS FOR K3 WITH POWER HEAD

Please refer to your power head owner's manual for more information

Starting The Machine and Suction Control - Figures 1, 2, 8, 9, 10a & 10b

Before turning on your canister, make sure that the vacuum handle is in its upright locked position (figure 8).

1. With the canister main power control knob (9) in the OFF position, and the power control slider on the handle (#2, figure 9) in the OFF position, pull the power cord out from the base of the canister (figure 1). The power cord should be unwound from the cable reel at least two thirds of its length. **Note:** do not over-extend the cord.
2. Plug the polarized power cord into a 120 volt wall outlet located near the floor.
3. Press the main power control knob (9) on the base of the canister gently with your foot or hand. The green light (10) will illuminate indicating that the power is on (figure 2).
4. Slide the Power Control Slider (2) to the ON position (the slider will "click" when it is pushed out of the OFF position). It will then slide freely between 0 suction and MAX suction. Set the slider to the suction desired. Release the foot pedal on the ET-1 power head (#35, figure 10a) or, for the ET-H power head, lower the handle (figure 10b).

Operating The Machine - Figures 10a & 10b

When the power head is on with the handle in the upright locked position (see figure 8 above), the brush roller will not spin.

To release the ET-1 power head from the upright locked position, press down on the foot pedal (#41, figure 10a) and lower the handle into the normal operating position and push the button on the top of the power head (#40, figure 8) to engage the brush roller. The green light on the power head will illuminate.

To release the ET-H power head from the upright locked position, gently place your foot on the power head for leverage and lower the handle into the operating position (figure 10b). The brush roller will then start spinning. The amber indicator light may flicker for a few seconds when you lower the handle - this is normal.

The handle can be lowered to a horizontal position useful for vacuuming under beds.

You may adjust the suction control with the power control slider (2) as you vacuum different surfaces or when using the accessory tools. For optimal cleaning and brushing, operate the machine at the maximum suction power setting and push the power head slowly over the carpet.

When the canister's main power control knob is in the ON position, you may turn the power head off and on with the power control slider (2). To turn the power head off using the power control slider, pull the slider to 0 suction, then continue pulling the slider up until it "clicks" into the OFF position. The green power head light will then shut off (the green light on the canister (10) will remain illuminated until the vacuum is powered off using the main power control knob).

Always turn the power off on both the canister and the power head when changing heads or unplugging the vacuum. Slide the power control slider on the power head to its OFF position, press the power control knob on the base of the canister (9) gently with your foot or hand, then unplug the canister to completely shut down the power when changing heads or storing the vacuum.

To retract the cord, switch the vacuum off, unplug it from the outlet, then gently pull on the cord near the plug recess (22) and the mechanism will automatically rewind. Before rewinding the cable, always switch off and unplug the vacuum. Hold the plug while rewinding the cord onto the cord reel. Avoid letting the plug whip while rewinding.

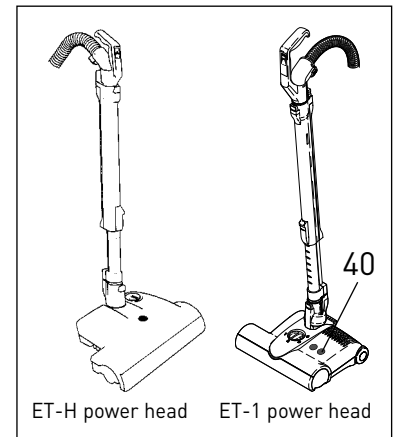


Figure 8

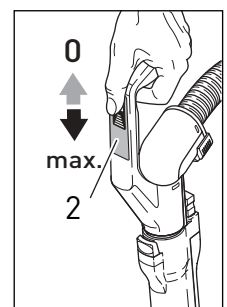


Figure 9

0 = Zero Suction
MAX = Maximum Suction

ON position - Slide the slider down toward 0 suction till it "clicks" out of position.

OFF position - Pull the slider up to 0 suction then continue pulling the slider up until it "clicks" into the OFF position.

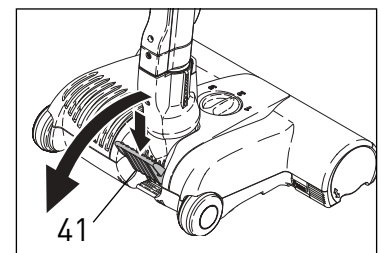


Figure 10a

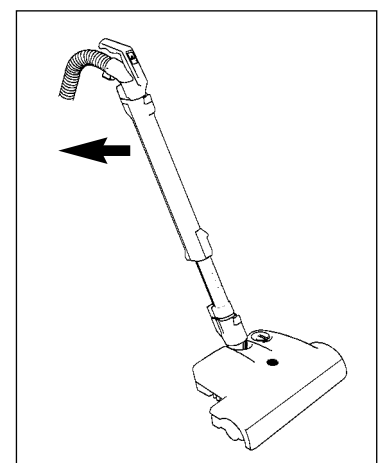


Figure 10b

Using the Telescopic Tube, Hose & Attachments - Figures 11 & 12

The telescopic tube (4) is useful for vacuuming corners and hard-to-reach areas. You may use the telescopic tube without a brush, power head or attachment. To remove a brush or power head, switch off the power control knob (9) and unplug the vacuum. Then, press the tool release button (7) and pull the tube out. The crevice nozzle (20) and dusting brush (28) may be inserted onto the end of the tube. To use the upholstery nozzle (11), fit it onto the end of the crevice nozzle (20). It is not necessary to turn off the vacuum while switching the **standard** attachments (the crevice nozzle, upholstery nozzle or dusting brush). After use, switch off the power, unplug the vacuum and remove attachment. Re-insert the telescopic tube into the power head or brush, turning the tube if needed, until you hear it click into place.

NOTE! K3 users with ET-H or ET-1 power heads, please refer to your power head user's manual for more detailed instructions for connecting your power head.

To use the hose without the telescopic tube, switch off the power and unplug the vacuum. Push the handle release button (3) and pull the HANDLE out of the end of the telescopic tube. Do not try to separate the hose from the handle! Insert the crevice nozzle (20) or dusting brush (28) onto the end of the handle. To use the upholstery nozzle (11), fit it onto the end of the crevice nozzle (20). After use, switch off the power, unplug the vacuum and remove the attachment. Re-insert the handle into the telescopic tube making sure it is seated correctly and snap it into place.

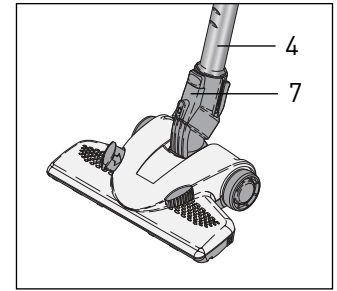


Figure 11

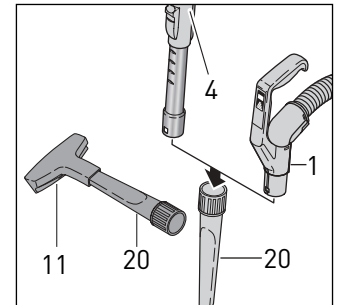


Figure 12

USE AND MAINTENANCE OF BRUSHES AND HEADS

 **Always unplug vacuum from outlet before dismantling any part of machine!**

To remove a brush or power head, switch off the power and unplug the vacuum. Then, press the tool release button (7) and pull the tube out.

NOTE! K3 users with ET-H or ET-1 power heads, please refer to your power head user's manual for more detailed instructions for operating and maintaining your power head.

Premium Parquet nozzle - Figure 13

The parquet nozzle (29) is specially designed for use on hard surfaces. The brush should be cleaned regularly. Remove the parquet brush from the telescopic tube to clean. Fibers and hair can be pulled out of the bristles manually, or vacuum the bristles with with the telescopic tube. The brush strips are removable for cleaning and replacement.

Kombi nozzle - Figure 14

The Kombi nozzle (30) is adjustable for carpet or hard floors. To set for carpet, slide the up arrow button (42) to the right until it clicks into place. The hard floor dusting brush will raise up allowing the head to move over the carpet. To set for hard floors, slide the down arrow button (43) to the left until it clicks into place. The brush will lower to gently sweep your floors. **The slider in Figure 14 is set in the position for hard floors.** The brush should be cleaned regularly. Remove the Kombi nozzle from the telescopic tube to clean. Fibers and hair can be pulled out of the bristles manually, or vacuum the bristles with with the telescopic tube. The brush strip is removable for cleaning and replacement.

Turbo head - Figure 15

The Turbo head (31) has an air-driven rotating brush for gentle brushing of carpets. The Turbo head can be adjusted for high and low pile carpet. To adjust the head for high pile carpet, push the slider button (44) to the right. For low pile carpet, push the slider button (44) to the left. **The slider in Figure 15 is set in the low pile position.** The rotating brush should be cleaned regularly. Remove the Turbo head from the telescopic tube to clean. Remove fibers and hair from the brush manually.

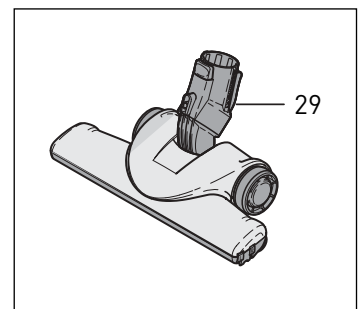


Figure 13

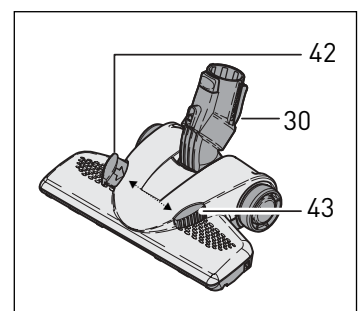


Figure 14

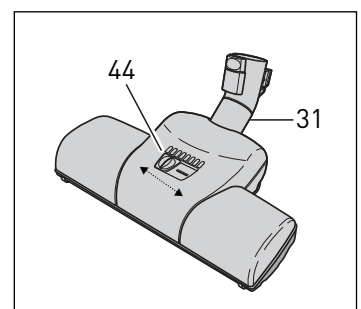


Figure 15

VACUUM MAINTENANCE



Always unplug vacuum from outlet before dismantling any part of machine!

Changing the Filter Bag - Figure 16

To change the filter bag (45), set the canister upright (as shown in figure 13), press the cover release catch (25) and lower the filter bag cover (26). Grasp the green filter bag sealing plate (46), slide the plate from the holder (48) and push the filter bag cap (47) on to seal the bag. Slide the sealing plate (46) of a new bag into the bag holder slots (48) and push it in firmly until it locks into place. Close the cover, making sure it snaps shut completely. You may find it convenient to store the bag cap inside the filter bag housing below the filter bag. Do not re-use the filter bags. Note: the nature of the contents of the filter bag will affect the point at which it needs changing. Fine dust may require an earlier change even though the bag is not full. Fluff or hair allows air to pass through easily, so the filter bag may overflow before the amber "bag full" light illuminates.

The "bag full or clog" light works correctly only at full power. At lower power levels, the "bag full or clog" light may illuminate incorrectly. Check the status of the filter bag regularly at full power.

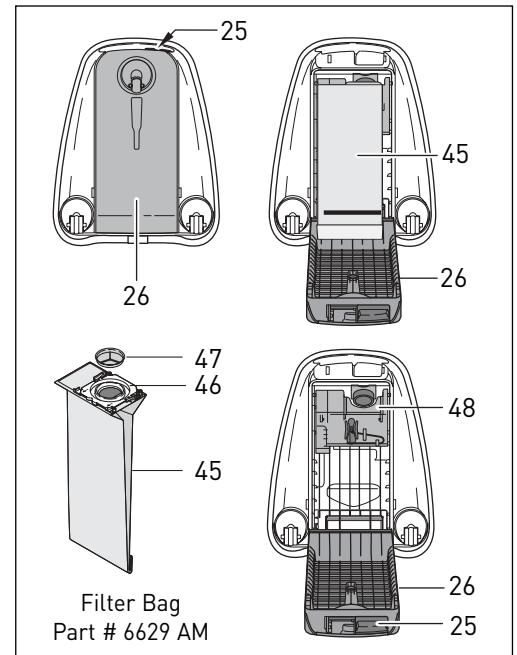


Figure 16

Changing the Exhaust Filter - Figure 17

The exhaust filter (51) needs to be changed when it becomes extremely dirty or clogged with dust, or after approximately 10 to 20 filter bags have been used. To change the exhaust filter, set the canister flat on the floor as shown in figure 17. Remove the printed cover on top of the machine (14) by lifting the catch (49) in the upholstery nozzle recess (see inset, figure 17). Pull out the filter using the handle (50) and fit the new filter into the same position. The filter handle should point toward the upholstery nozzle when it is folded down. Fit the tabs on the bottom of the cover (14) into the grooves and snap the cover down firmly.

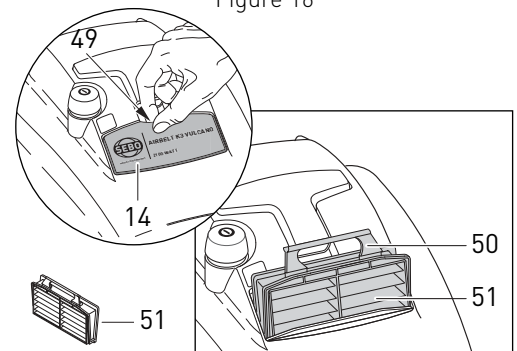


Figure 17

Changing the Micro-Hygiene Filter - Figures 16 & 18

After 10 to 20 bags have been used, change the micro-hygiene filter (52). To remove the micro-hygiene filter, set the canister upright (as shown in figure 16). Press the cover release catch (25) and lower the filter bag cover (26). Remove the filter bag, then remove the cover by sliding it up and out of the grooves (53). Pull the old filter out (52) and slide the new filter into the same position. Replace the filter bag, then re-insert the cover by fitting the tabs into the grooves (53) on both sides and sliding it in and down. Push the cover closed, making sure it snaps shut completely.

K Filter Set:
Exhaust Filter
and
Micro-Hygiene
Filter
Part # 6696 AM

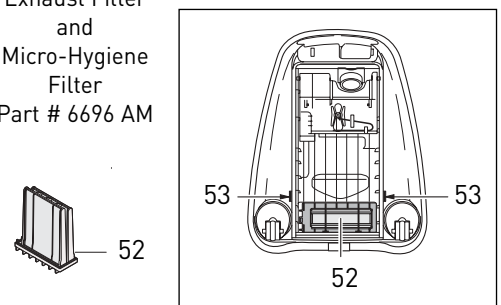
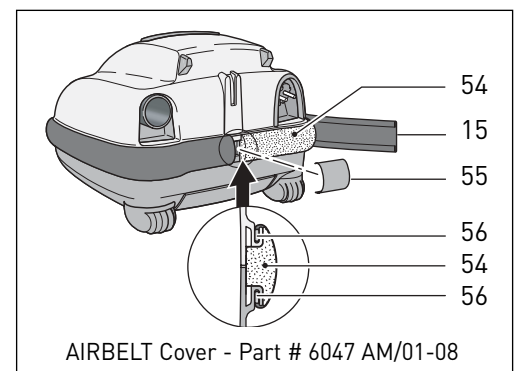


Figure 18

Changing the AIRBELT - Figure 19

If damage occurs to the AIRBELT cover, it will need to be replaced. To remove the AIRBELT (15), pry off the clip (55) by inserting the tip of a slot-head screwdriver under the bottom side of the clip. Push downward on the screwdriver until the clip pops off. Grasp the end of the AIRBELT cover and pull - the AIRBELT cover will peel off. The foam bumper (54) remains on the vacuum. To replace the AIRBELT, insert the side ribs of the AIRBELT into the grooves (56). Start at the back, insert rib into one groove (56), and while holding it down, stretch the AIRBELT cover around the foam (54) into the opposite groove (56). Continue around the vacuum. Secure the ends with the clip (55).

SEBO AIRBELT covers are available in a variety of colors and patterns. See your SEBO dealer for available selection.



AIRBELT Cover - Part # 6047 AM/01-08

Figure 19

K Service Box - 10 Filter Bags, Exhaust Filter and Micro-Hygiene Filter
Part # 5828 AM

Note: Never operate the vacuum with incorrectly attached filters or without filters, bag, AIRBELT or filter bag housing cover (26). Do not re-use filter bags. Do not wash and re-use filters.

CLOG REMOVAL



Always unplug vacuum from outlet before removing any clogs!

NOTE! K3 users with ET-H or ET-1 power heads, please refer to your power head user's manual for more detailed instructions for removing clogs in your power head.

If the "bag full or clog" warning light (10) remains illuminated after the filter bag has been changed and the filters are in good condition, there is likely a clog in the system.

Clogs in the Head or Brush - Figure 20

Clogs in the swivel neck (57) of a head or brush can be cleared by first pressing the tool release button (7) and removing the brush or head. Check inside the swivel neck channel (56), and clean out pathway.

Clogs in the Telescopic Tube - Figure 20

Remove head from telescopic tube (4) by pushing the tool release button (7) and pulling the tube out. Remove the hose from the top of the telescopic tube by pushing the handle release button (3). A stiff wire or stick can be used to push the clog out of the tube.

Clogs in the Hose - Figures 21, 22 & 23

Check for suction at the end of the hose (19). If you feel reduced suction, the blockage is in the hose. To clear blockages in the hose (13), remove the telescopic tube (4) by pushing the tool release button (7) and pulling the tube out. Hold the hose upright with one hand blocking the top and switch on the machine. If necessary, quickly lift your hand on and off the end of the hose. If that does not clear the clog, you may also clear clogs by reversing the hose. **K3:** After removing the telescopic tube, push the release button (18) on the hose neck (6) and remove the hose from the machine.

K2: After removing the telescopic tube, squeeze the tabs (37) on the retaining ring and pull the hose neck out.

Remove the hose handle (1) from the telescopic tube by pressing the handle release button (2). Insert the handle end of the hose (1) into the suction opening (17). Hold the hose upright with one hand blocking the top and switch on the machine. If necessary, quickly lift your hand on and off the end of the hose.

Note: Do not insert a wire or stick into the hose. Doing so may cause damage to the hose.

Clogs in Entrance to Filter Bag - Figure 21

Remove hose (10) from vacuum cleaner (see figure 21), open the filter bag cover and remove the filter bag. (figure 16, page 9). Clean out entrance to bag (58).

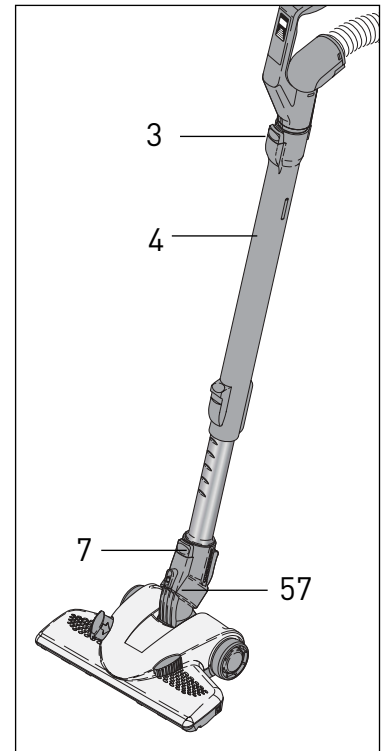
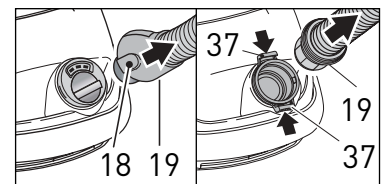


Figure 20



K3

Figure 21

K2

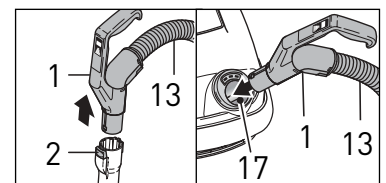


Figure 22

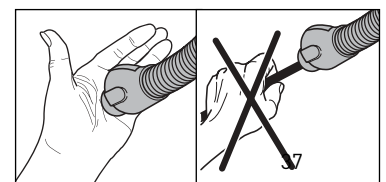


Figure 23

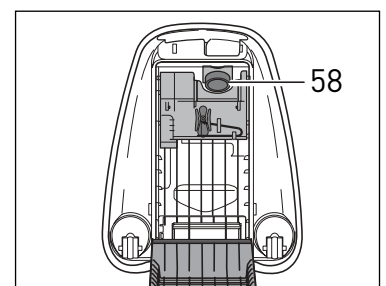


Figure 24

TROUBLE-SHOOTING GUIDE



Always unplug vacuum from outlet before dismantling any part of the machine!

PROBLEM	REASON	SOLUTION
Does not turn on	1. Telescopic tube not inserted properly.	1. See page 5.
	2. Not plugged into working outlet.	2. Use another outlet.
	3. Cable worn.	3. Replace cable.
	4. K3: The power control slider switch is set to "0" ("off" position).	4. K3: Set slider switch to "on" position. See page 7.
Bag full or clog light on Bag full or clog light on & machine shuts off	1. Bag full.	1. Replace filter bag. See page 9.
	2. Clog in hose, telescopic tube, brush or head, or entrance to filter bag.	2. See Clog Removal on page 10. K3 users with clog in power head attachment: refer to clog removal in the ET-H or ET-1 owner's manual.
	3. Micro-hygiene filter dirty.	3. Replace micro-hygiene filter. See page 9.
	4. Exhaust filter dirty.	4. Replace exhaust filter. See page 9.
Does not pick up	1. Hose/handle assembly not correctly inserted.	1. Reinsert hose/handle assembly making sure that it is lined up properly and is snapped into place. See page 5.
	2. The suction control dial is rotated to no suction setting	2. K2: Rotate suction control dial to yellow setting. See page 6.
	3. Filter bag cover not closed.	3. See below.
Filter bag door won't fully close	1. Filter bag cover not fully closed.	1. Reinsert bag. Lock the cover down firmly.
	2. Bag not inserted properly	2. Reinsert bag. lock the cover down firmly.
	3. Micro-hygiene filter not properly inserted.	3. Remove the filter bag cover (26) and make sure the micro-hygiene filter housing is seated firmly in place (see pg. 9, figure 18).

AIRBELT K2 SCHEMATIC AND PARTS LIST

9678 AM K2 (Volcano) # 9674 AM K2 (Denim Blue)
 # 9679 AM K2 (Midnight Blue) # 9696 AM K2 (Hunter Green)

Canister with Handle/Hose

Volcano Machine

Pos.	Part #	Description
1	6600 DG	Bottom casing (Old style -Use castor 6682 DG)
	6754 DG	Bottom casing (New style -Includes castors 6751 DG)
2	6675 DG	Suction neck-New (6676 DG Old)
3	6014	Seal
4	6042 WS	Spring lock
5	6681 HG	Bag holder, cpl.
6	6696 AM	K Micro-Filter & Exhaust Set
7	6678 DG	Bag cover, cpl. (Old style - Use castor 6682 DG)
	6756 DG	Bag cover, cpl. (New style -Includes castor 6752 DG)
8	6607 DG	Cover release
9	6629 AM	Filter bag SEBO K
10	6682 DG	Castor cpl.,(Old style for use on 6600 DG bottom casing and 6678 DG bag cover)
	6752 DG	Castor cpl. (New castor for bag cover 6756 DG)
11	6652	Cable rewind
12	6621	Switch lever
13	1739	Leaf spring
14	6641 ER	Electronic controller K2
15	6637	Internal cable - black
16	6638	Internal cable - white
17	6631 ER	Vac motor, 120V
18	6634	Fan ring
19	6635	Seal
20	6636	Engine mounting
21	6679 DG	Motor cover
22	6622 DG	Plug surround
24	6680 SR	Top casing K2 - volcano
25	6625 DG	Release button
26	6439 K2	Exhaust filter cover - volcano
27	6613 VO	On/Off knob
28	6086 HG	Casing clip
29	6623 UL	Foam bumper
30	6047 AM/03	AIRBELT textile - orange
31	6048 DG	AIRBELT clip
32	6627 DG	Upholstery nozzle
33	1092 DG	Crevice nozzle
34	6300 DG	Handle grip K2, cpl.
35	6660 DG	Hose with end couplings - 6 ft.
	6657 AM	Hose with end couplings - 7 ft.
36	6271 DG	Telescoping tube K2
37	7260 DG	Kombi nozzle
38	0105	Screw 3.9 x 19
39	6421 DG	Slide button, cpl.
40	6420 DG	Release button
41	6694 DG	Clip for attachments
42	6612 DG	Retaining ring
43	1329 DG	Dusting brush
44	6751 DG	Castor cpl. (New Style for bottom casing 6754 DG)
45	6780 ER	Turbo Head nozzle
46	7200 DG	Premium parquet nozzle

Midnight Blue Machine Exceptions

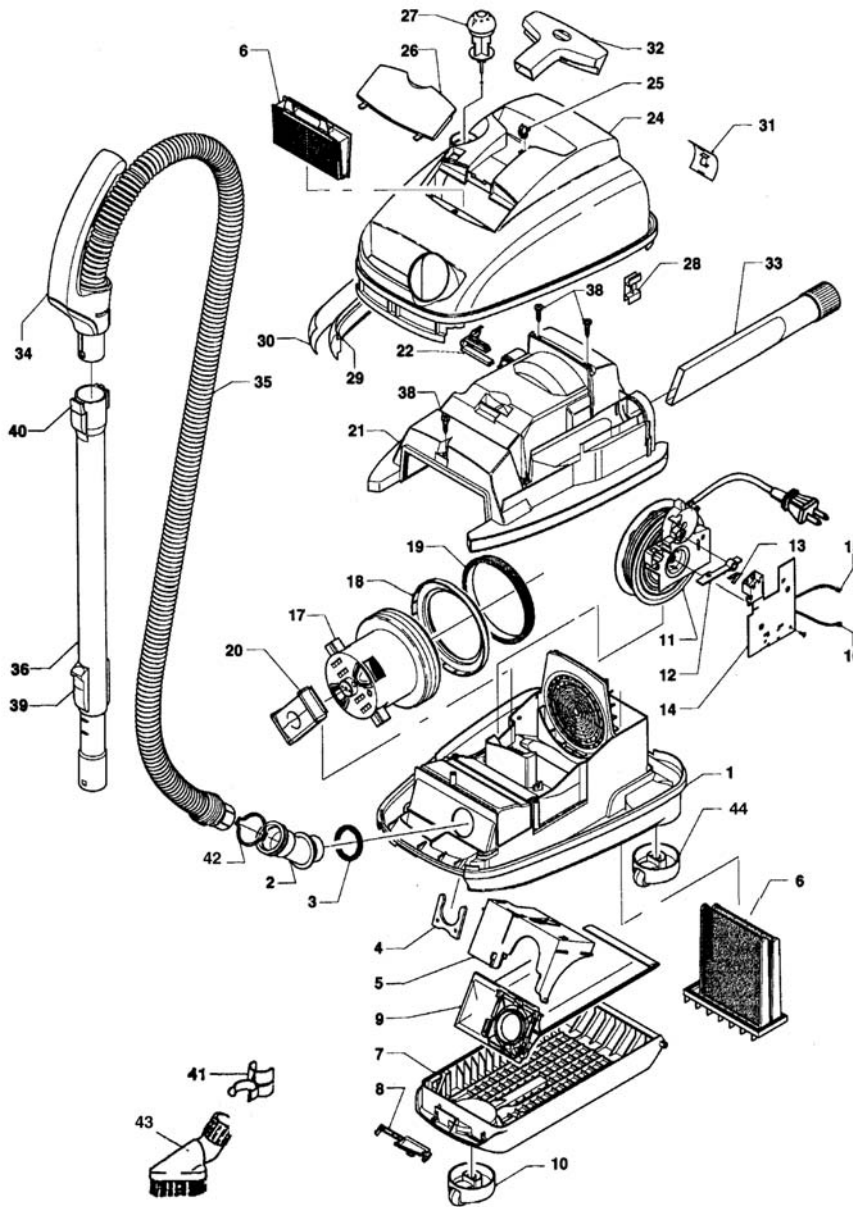
24	6680 DB	Top Casing, K2 - midnight blue
26	6424 AM	Exhaust filter cover - midnight blue
27	6613 GW	On/Off knob - gray/white
30	6047 AM/01	AIRBELT textile - dark gray

Denim Blue Machine Exceptions

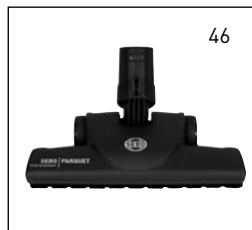
24	6680 BB	Top Casing, K2 - denim blue
26	6405 K2	Exhaust filter cover - denim blue
27	6613 GW	On/Off knob
30	6047 AM/01	AIRBELT textile - dark gray

Hunter Green Machine Exceptions

24	6680 G1	Top Casing, K2 - hunter green
26	6427 K2	Exhaust filter cover - hunter green
27	6613 LG	On/Off knob - hunter green
30	6047 AM/08	AIRBELT textile - citrus



Turbo Nozzle
standard with K2 Volcano
and Hunter Green



Premium Parquet Nozzle
standard with
K2 Volcano and Hunter
Green

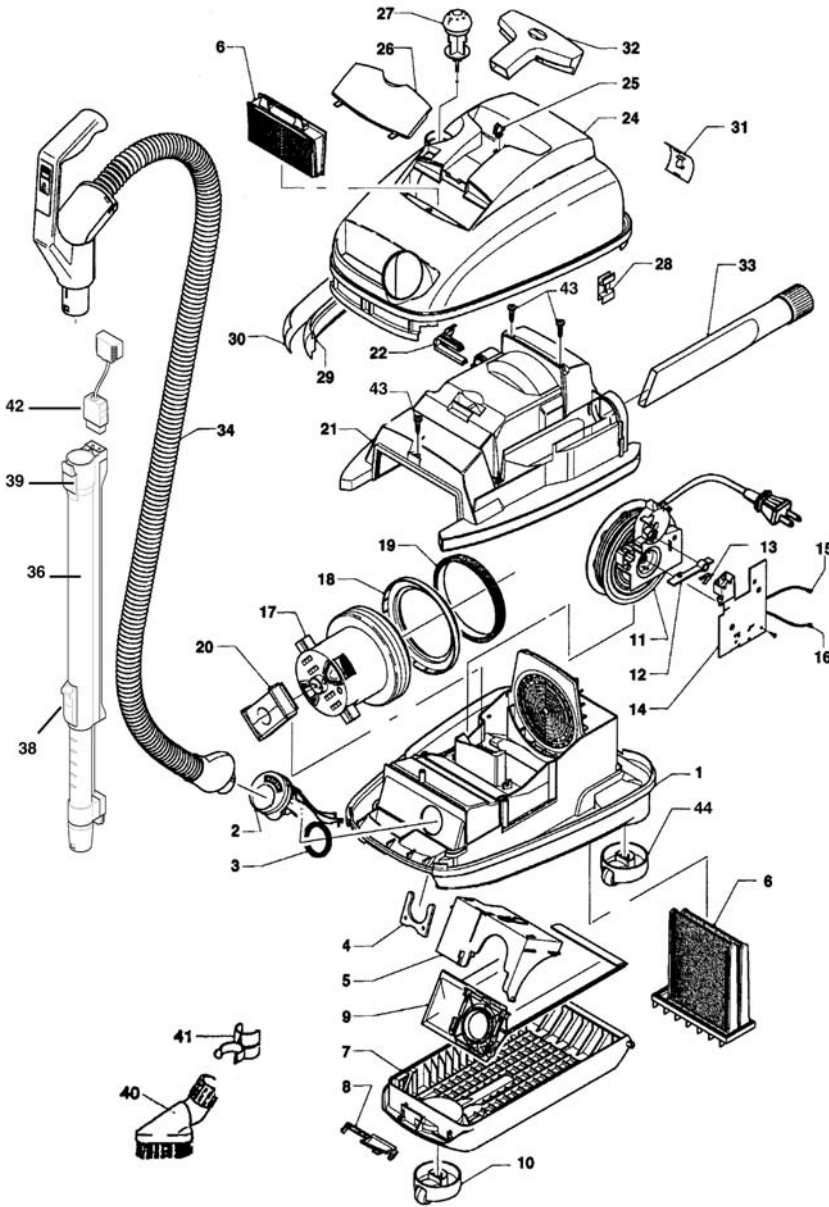


Kombi Nozzle
standard with
K2 Midnight Blue

AIRBELT K3 SCHEMATIC AND PARTS LIST

9681 AM K3 (Red)

9684 AM K3 (Volcano)



Premium Parquet Nozzle
standard with
K3 Red and Volcano

Canister with Handle/Hose

Red Machine

Pos.	Part #	Description
1	6600 DG	Bottom casing (Old style -Use castor 6682 DG)
	6754 DG	Bottom casing (New style -Includes castors 6751 DG)
2	6677 DG	Suction neck
3	6014	Seal
4	6042 WS	Spring lock
5	6681 HG	Bag holder, cpl.
6	6696 AM	K Micro-Filter & Exhaust Set
7	6678 DG	Bag cover, cpl. (Old style - Use castor 6682 DG)
	6756 DG	Bag cover, cpl. (New style -Includes castor 6752 DG)
8	6607 DG	Cover release
9	6629	Filter bag SEB0 K
10	6682 DG	Castor cpl.,(Old style for use on 6600 DG bottom casing and 6678 DG bag cover)
	6752 DG	Castor cpl. (New castor for bag cover 6756 DG)
11	6652	Cable rewind
12	6621	Switch lever
13	1739	Leaf spring
14	6645 ER	Electronic controller K3
15	6637	Internal cable, - black
16	6638	Internal cable - white
17	6631 ER	Vac motor, 120V
18	6634	Fan ring
19	6635	Seal
20	6636	Engine mounting
21	6679 DG	Motor cover
22	6622 DG	Plug surround
24	6680 DR	Top casing K, red
25	6625 DG	Release button
26	6404 K3	Exhaust filter cover - dark red
27	6666 GW	On/Off knob
28	6086 HG	Casing clip
29	6623 UL	Foam bumper
30	6047 AM/10	AIRBELT textile - navy blue
31	6048 DG	AIRBELT clip
32	6627 DG	Upholstery nozzle
33	1092 DG	Crevice nozzle
34	6349 SE	Handle with hose K3, cpl. - 6 ft.
	6349 AM	Handle with hose K3, cpl. - 7 ft.
36	6270 DG	Telescoping tube K3
37	7200 DG	Premium parquet nozzle
38	6421 DG	Slide button, cpl.
39	6420 DG	Release button, cpl.
40	1329 DG	Dusting Brush
41	6694 DG	Clip for attachments
42	6369 DG	Mains cable, dark gray
43	0105	Screw 3.9 x 19
44	6751 DG	Castor cpl. (New Style for bottom casing 6754 DG)

Volcano Machine Exceptions

24	6680 SR	Top Casing, K3 - Volcano
26	6439 AM	Exhaust filter cover - Volcano
27	6613 VO	On/Off knob - orange
30	6047 AM/03	AIRBELT textile -orange

SEBO VACUUM CLEANER WARRANTY

Five Years Non-Wear Parts - Five Years Motor - One Year Labor

1. Your authorized SEBO dealer or SEBO will provide the original product purchaser with replacement of Non-Wear Parts which fail due to a material or workmanship defect for a period of five (5) years from the original date of purchase of new product. SEBO America will provide a five (5) year warranty on suction motors and brush drive motors.
2. Your authorized SEBO dealer or SEBO will repair (or will cover labor charges associated with repair) a defective SEBO vacuum cleaner at no cost to the original purchaser, within one (1) year of original purchase of new product.
3. SEBO America or an authorized SEBO dealer must complete all warranty repairs.
4. To locate an authorized SEBO dealer in your area, or to register a warranty claim in the **United States of America, please visit our website at www.sebo.us.**
5. To locate an authorized SEBO dealer in your area, or to register a warranty claim in **Canada, please call Floor Care Equipment, Ltd. at (403) 250-5005.**
6. The warranties provided for above apply exclusively to SEBO Vacuum Cleaners which are used residentially. No warranty is provided for SEBO vacuum cleaners used commercially.
7. The Wear Parts excluded from warranty coverage include filter bags, micro-hygiene filters, exhaust filters, the cable (external cord), the attachment hose, the brush rollers, the front bottom plate, the rear bottom plate, the telescopic tube, the crevice nozzle, the upholstery nozzle, the dusting brush and all of the optional attachments. [See "Optional Attachments" on page 5 of this manual].
8. This warranty applies only while your SEBO Vacuum Cleaner is physically located within the United States of America and its territories or Canada.
9. The purchase receipt showing the date, price, and item of purchase is the initial document of proof of purchase and determines the validity of warranty. To be certain that your warranty claim can be processed as quickly and efficiently as possible, please retain your original purchase receipt and mail in the warranty card provided with your new SEBO vacuum cleaner. You may also register on our website at www.sebo.us.
10. This warranty gives you specific legal rights. You may also have other legal rights, which vary from state/province to state/province.
11. SEBO America will not process nor will it accept responsibility for warranty claims for machines purchased from dealers located in Canada. Floor Care Equipment, Ltd. will not process nor will it accept responsibility for warranty claims for machines purchased from dealers located in the United States.

EXCLUSIVE REMEDY: The remedies provided under the terms of this Warranty are the purchaser's exclusive remedies and are in lieu of any other remedies otherwise available.

THE WARRANTY DOES NOT COVER:

- Used or secondhand products.
- Products outside of the warranty period.
- Items not manufactured by SEBO.
- Normal maintenance service.
- Equipment damaged by improper use, accident, other casualty or negligence.
- Machines equipped with nonauthorized attachments or modifications.
- Machines on which the serial number has been altered or removed.

LIMITATIONS AND EXCLUSIONS:

SEBO MAKES NO OTHER REPRESENTATIONS OR WARRANTIES, EXPRESSED OR IMPLIED AND SPECIFICALLY EXCLUDES THE IMPLIED WARRANTIES OF MERCHANTABILITY AND FITNESS FOR A PARTICULAR PURPOSE.

SEBO WILL NOT BE LIABLE FOR INCIDENTAL OR CONSEQUENTIAL DAMAGES OF ANY KIND OR NATURE.

THIS DISCLAIMER OF IMPLIED WARRANTIES SHALL NOT APPLY TO THE EXTENT SAID DISCLAIMER IS NOT ALLOWED BY APPLICABLE STATE/PROVINCIAL LAW.

To contact SEBO in the United States of America:

SEBO America, LLC
Telephone: (303) 792-9181
Fax: (303) 792-9196
Website: www.sebo.us

To contact SEBO in Canada:

Floor Care Equipment, Ltd.
Telephone: (403) 250-5005
Fax: (403) 250-5057
Website: www.sebocanada.ca



MADE IN GERMANY