

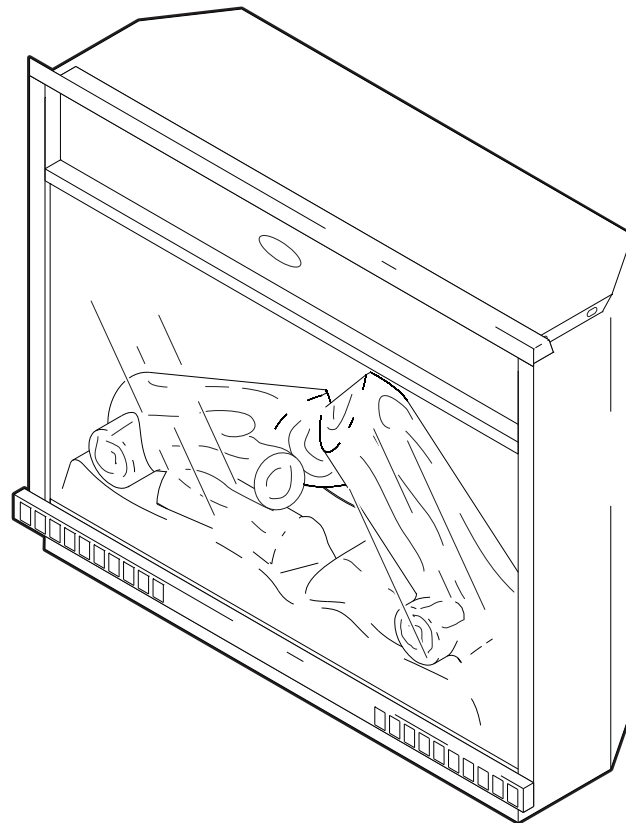
# PARTS AND SERVICE MANUAL

FOR

## DIMPLEX 23" OUTDOOR ELECTRIC FIREPLACE

Model DFO2307

**D** Dimplex®



# TABLE OF CONTENTS

<b>OPERATION</b>	<b>PAGE 2</b>
<b>PARTS DRAWING</b>	<b>PAGE 3</b>
<b>PARTS LIST</b>	<b>PAGE 4</b>
<b>WIRING DIAGRAM</b>	<b>PAGE 5</b>
<b>FRONT GLASS REMOVAL</b>	<b>PAGE 6</b>
<b>UPPER LIGHT REPLACEMENT</b>	<b>PAGE 7</b>
<b>LOWER LIGHT REPLACEMENT</b>	<b>PAGE 8</b>
<b>MAIN ON/OFF REPLACEMENT</b>	<b>PAGE 9</b>
<b>FLAME ROD AND MOTOR REPLACEMENT</b>	<b>PAGE 10</b>
<b>CIRCUIT BOARD REPLACEMENT</b>	<b>PAGE 11</b>

DFO2307

## OPERATION

### ELECTRIC FIREPLACE MANUAL CONTROL

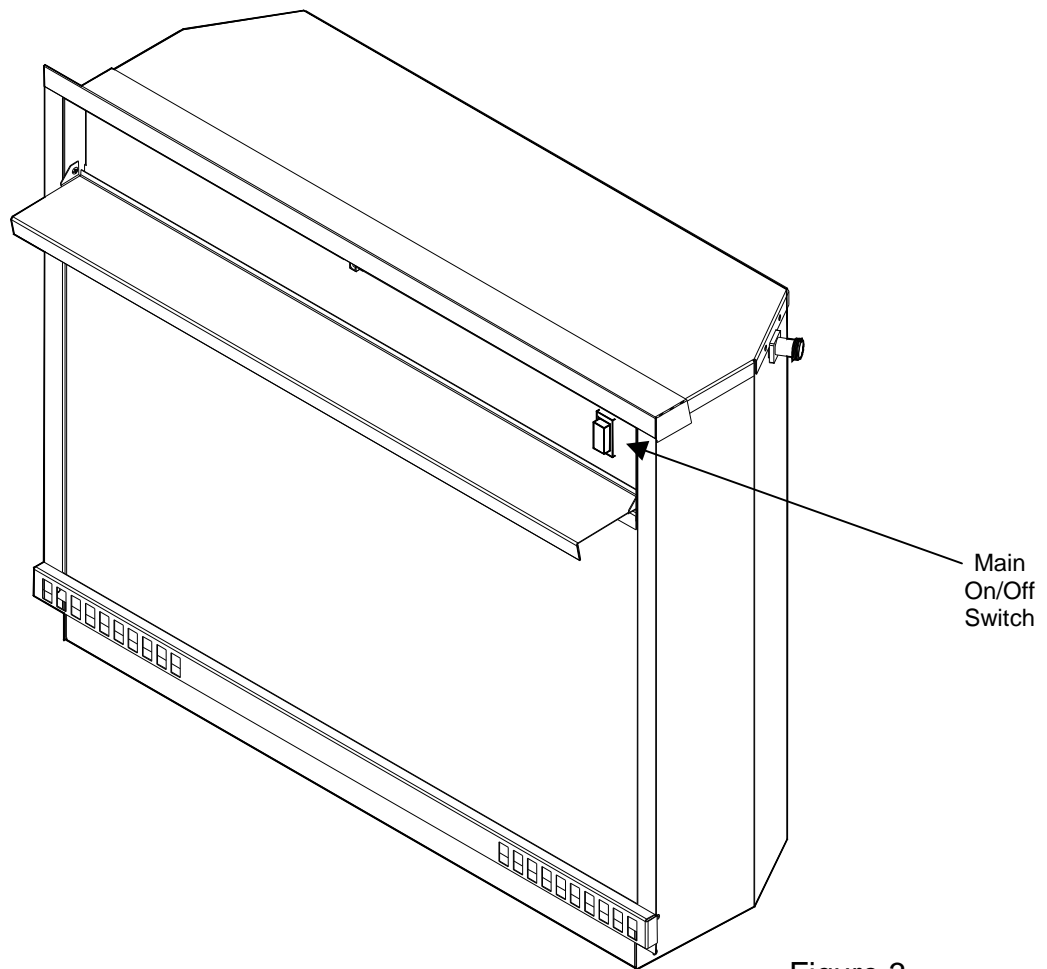
The manual controls for the firebox are located in the upper right hand corner behind the access panel. To access the controls, open the upper access panel by pulling forward and down.

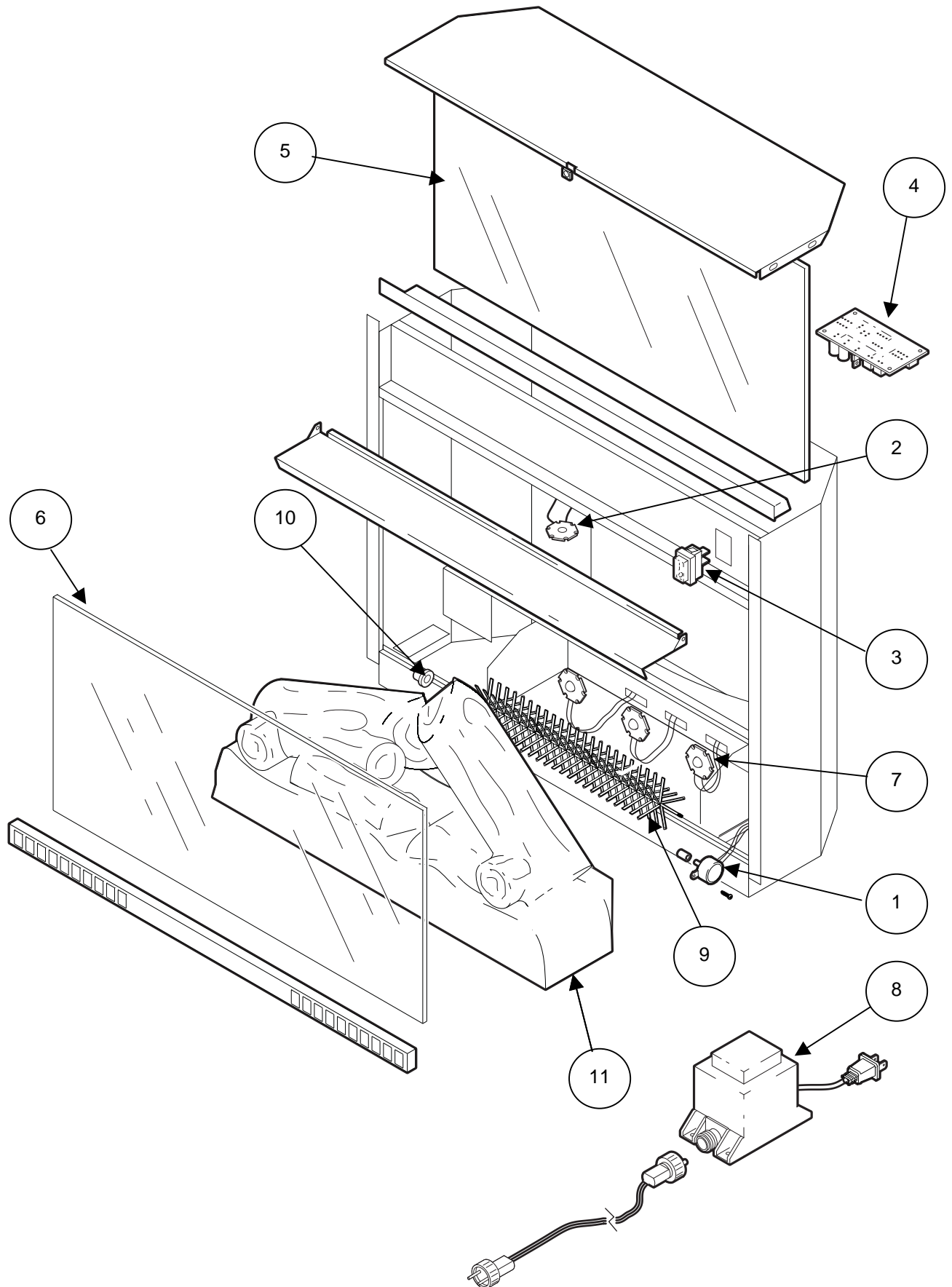
To locate controls refer to Figure 3.

**A. Main On/Off Switch**

The ON/OFF SWITCH supplies power to the flames and over head lights.

**NOTE: This unit does not have a heat option.**





DFO2307

## REPLACEMENT PARTS

FIREBOX, 23" – Dimplex

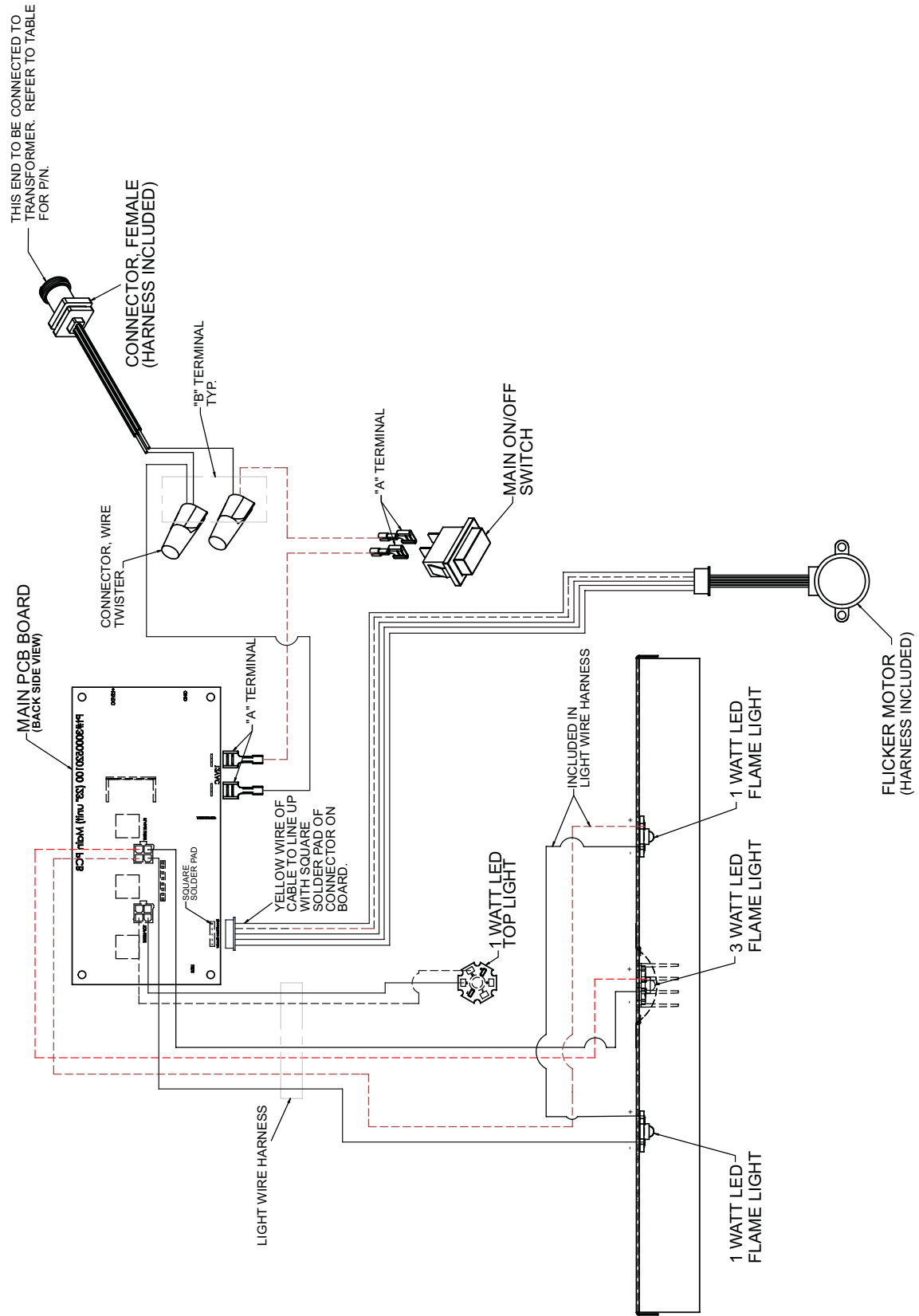
**CATALOGUE NO.  
PART NO.**

**DFO2307  
6903100100**

### REPLACEMENT PART

1. MOTOR, ASSEMBLY	3000240200
2. LED LIGHT, 1 WATT	3700060100
3. ON/OFF SWITCH	2800150100
4. CIRCUIT BOARD	3000520100
5. MIRROR	5900750100
6. GLASS FRONT	5900710100
7. LED LIGHT, BOTTOM	3700060200
8. TRANSFORMER	2100200100
9. FLAME ROD	5900780100
10. BUSHING	8500000400
11. LOGSET	0478270100

# WIRING DIAGRAM

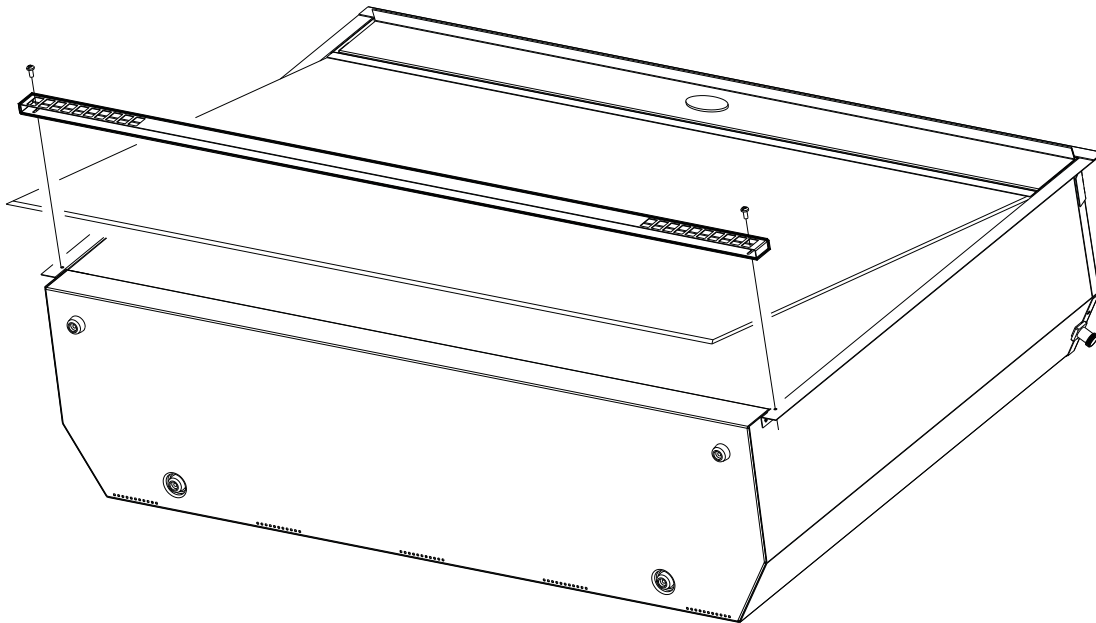


DFO2307

Disconnect power before attempting any maintenance or cleaning to reduce the risk of electric shock or damage to persons.

### **FRONT GLASS REMOVAL**

1. Remove top from mantel.
2. Lift firebox out of mantel.
3. Lay firebox on it's back.
4. Remove screws from the left and right side of the front glass lower support.
5. Insert the tip of a slot screwdriver between the glass edge on either the left or right side trim.
6. Using the screwdriver as a lever, apply pressure in a downward motion forcing the edge of the glass up.



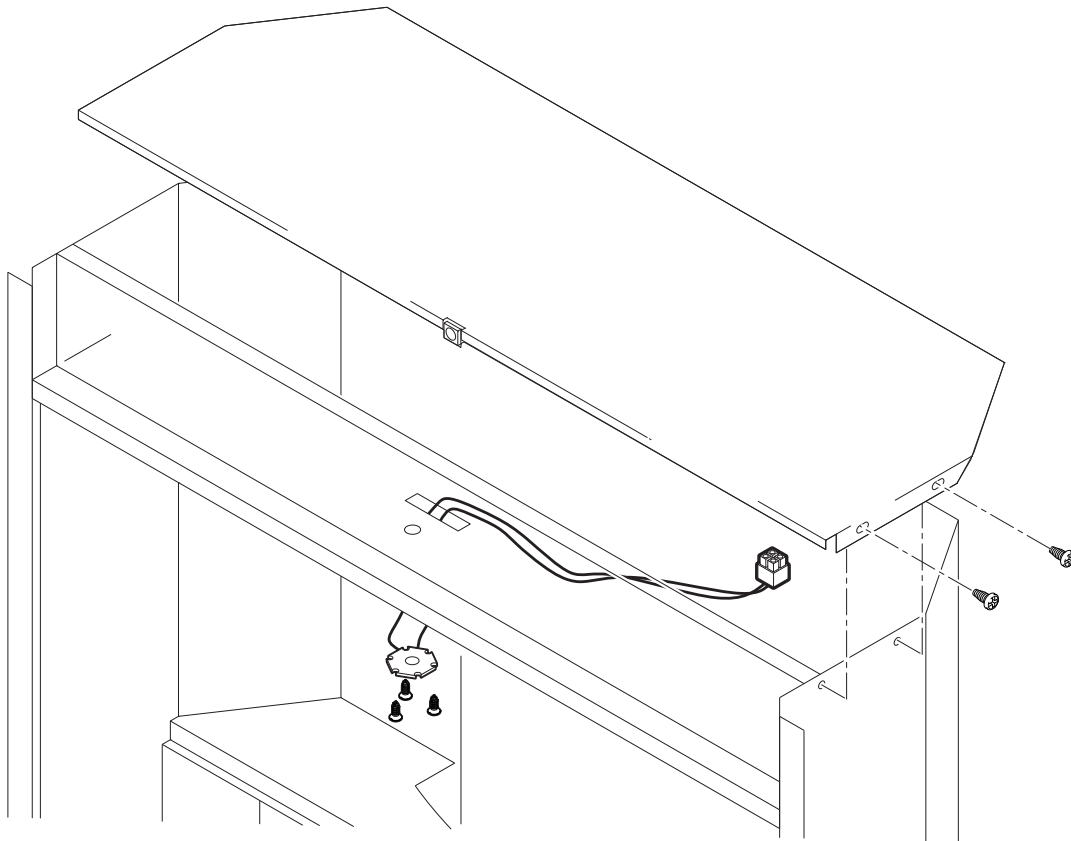
DFO2307

Disconnect power before attempting any maintenance or cleaning to reduce the risk of electric shock or damage to persons.

It is a good idea to replace all of the lights at one time if they are close to the end of their rated life. Group replacement will reduce the number of times you need to open the unit to replace the lights.

### UPPER LIGHT REPLACEMENT

1. Remove the front glass as shown on page 6 of this manual.
2. Remove the top trim piece by removing the 3 retaining screws.
3. Remove the 10 retaining screws and lift the top off of the unit.
4. Unplug the light wiring harness from the circuit board.
5. Remove the 3 screws and remove the light from the unit.
6. Reassemble in the reverse order.



### LIGHT BULB REQUIREMENTS

Quantity of 2 clear chandelier or candelabra bulbs with an E-12 (small) socket base, 60 watt rating.



DFO2307

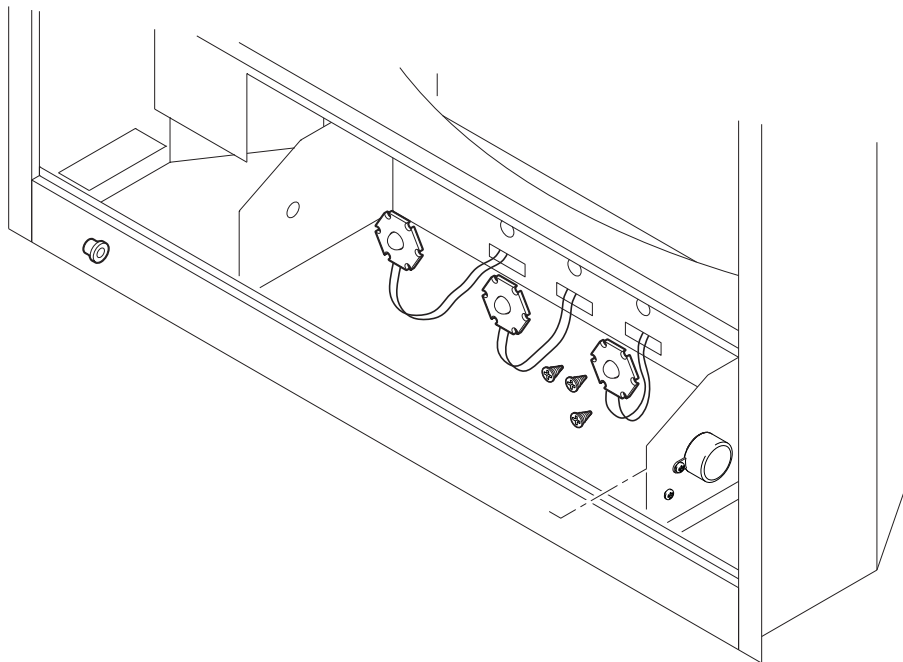
Disconnect power before attempting any maintenance or cleaning to reduce the risk of electric shock or damage to persons.

Lights need to be replaced when you notice a dark section of the flame. There are three lights under the log set which generate the flames and embers located under the emberbed.

It is a good idea to replace all of the lights at one time if they are close to the end of their rated life. Group replacement will reduce the number of times you need to open the unit to replace the lights.

### **LOWER LIGHT REPLACEMENT**

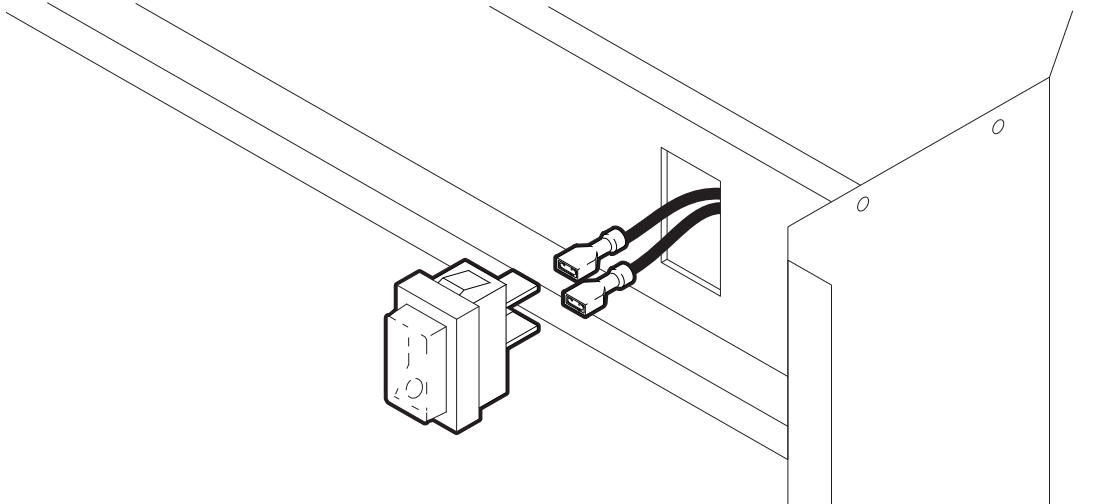
1. Remove the front glass as shown on page 6 of this manual.
2. Remove the top trim piece by removing the 3 retaining screws.
3. Remove the 10 retaining screws and lift the top off of the unit.
4. Unplug the lower light wiring harness from the circuit board.
5. Remove the flame rod.
6. Remove the 3 screws holding each light and remove the light assembly from the unit.
7. Reassemble in the reverse order.



Disconnect power before attempting any maintenance or cleaning to reduce the risk of electric shock or damage to persons.

### MAIN ON/OFF SWITCH REPLACEMENT

1. Remove the front glass as shown on page 6 of this manual.
2. Remove the top trim piece by removing the 3 retaining screws.
3. Remove the 10 retaining screws and lift the top off of the unit.
4. Locate the main on/off switch mounted on the top panel and disconnect the wiring clips and connections noting their original locations.
5. Depress the retainer clips on the rear of the switch and push the switch out of the rear of the cover.
6. Reassemble in the reverse order.



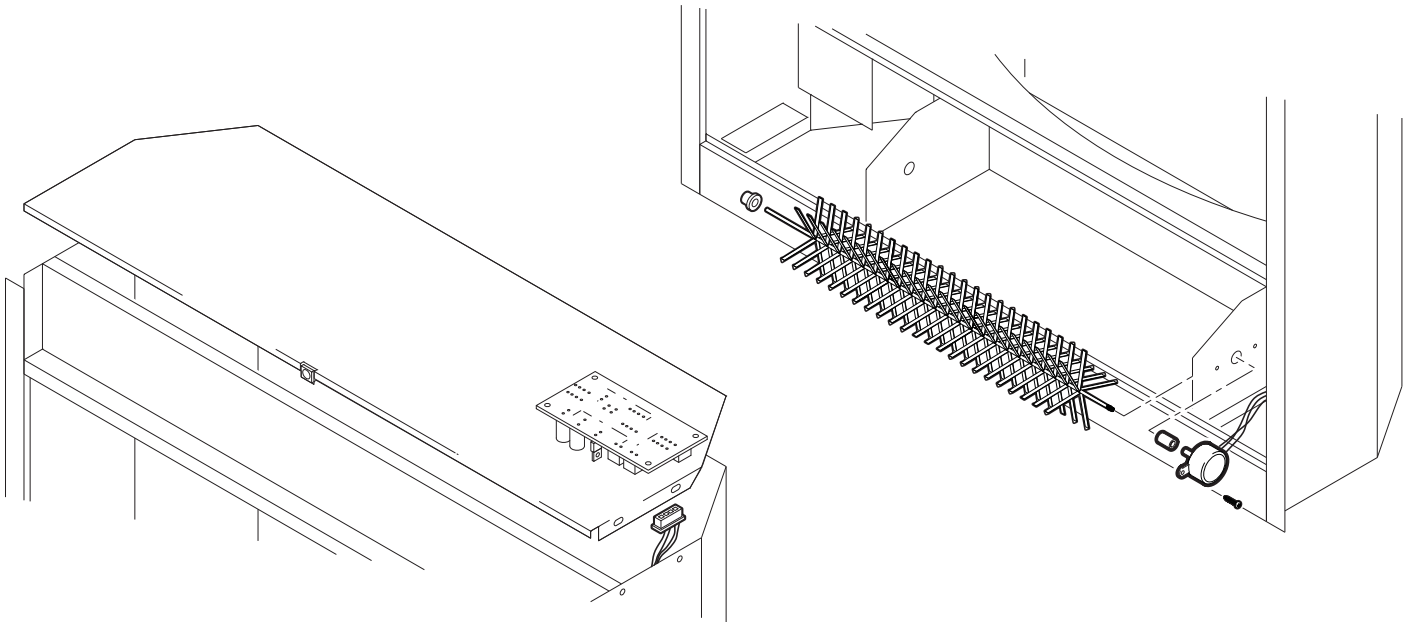
DFO2307

If unit was operating prior to servicing allow at least 10 minutes for light bulbs and heating element to cool off to avoid accidental burning of skin.

Disconnect power before attempting any maintenance or cleaning to reduce the risk of electric shock or damage to persons.

### **FLAME ROD AND MOTOR REPLACEMENT**

1. Remove the front glass as shown on page 6 of this manual.
2. Remove the top trim piece by removing the 3 retaining screws.
3. Remove the 10 retaining screws and lift the top off of the unit
1. Remove the reflector rod from the flame motor by pulling the end of the rod to the left and carefully remove flame rod from rubber sleeve.
4. Remove the 2 screws securing the flame motor to the flame motor bracket
5. Disconnect motor wiring connections form circuit board.
6. Discard the old motor.
7. Reassemble in the reverse order as above.



If unit was operating prior to servicing allow at least 10 minutes for light bulbs and heating element to cool off to avoid accidental burning of skin.

Disconnect power before attempting any maintenance or cleaning to reduce the risk of electric shock or damage to persons.

### **TO REPLACE THE CIRCUIT BOARD**

1. Remove the front glass as shown on page 6 of this manual.
2. Remove the top trim piece by removing the 3 retaining screws.
3. Remove the 10 retaining screws and lift the top off of the unit.
4. Locate the main on/off switch mounted on the top panel and disconnect the wiring clips and connections noting their original locations.
5. Depress the retainer clips on the rear of the switch and push the switch out of the rear of the cover.
6. Reassemble in the reverse order.

