

## Vehicle DVR



### User Manual

Please read through this user manual before using the product and keep the manual for future use. This manual is for reference, any later alteration of technical specification and product appearance are without further notice.

### Contents

Precaution.....	1
Accessories.....	2
Interface keys instruction.....	3
Insert and Take out SD card.....	4
Charging Description.....	4
Button Functions Description.....	5
Operation Description.....	6
Turn on/off the Vehicle DVR.....	6
Reset Key.....	6
Video Mode.....	7
Camera Mode.....	8
Zoom In/Out.....	8
Clear Screen.....	9
Audio record mode.....	9
Browse Mode.....	9
Music Mode.....	10
System Setting.....	11
PC Mode.....	12
TV OUT Mode.....	12
HDMI Mode.....	12
Troubleshooting.....	13
Technical Specification.....	14

### Precaution

- Pls be well noted with the following guidelines before you use the Vehicle DVR,
- \* Pls refer to manual instruction and operate the DVR correctly.
- Illegal operation may cause damage to DVR internal components.
- \* Do not fall or hit the DVR, it may damage the internal components.
- \* For your safety, please keep the DVR from the children and animals, in order to avoid accident.
- \* Do not place the DVR in a damp or dusty location for extended periods of time. This may cause a fire or an electric shock.
- \* Do not leave the DVR in places exposed to extremely high temperatures, such as under direct sunlight for extended periods of time. This may affect the DVR housing and internal components.
- \* We recommend using batteries in temperatures between 0°C and 40°C.
- \* Turn off the DVR before inserting or removing the memory card. The card and the data may be damaged if the memory card is inserted or removed while the camera is still on.
- \* Do not adaptor or dismount the DVR, to avoid the damage to the DVR and electric shock.
- \* The temperature rise is normal when DVR in use for a long time
- \* Do not touch the lens when use the DVR, so as not to influence the photography effect.
- \* Please use the air blower (special lens blowing equipment) to clean lens or use special lens-cleaning cloth to clean fingerprint or dust on the surface.

### Technical Specification

Sensor	12 Mega Pixels for still picture (5 Mega Pixels CMOS)
LCD Screen	2.8 inch 2.3M colored LCD screen
Video Resolution	720P (1280*720) 20 FPS /30FPS VGA (640*480) 50 FPS /60FPS
Image size	12M (4032*3024); 8M (3264*2448); 5M (2592*1944)
Video Output	PAL/NTSC/HDMI Output
Audio	Built-in Microphone/Speaker
Memory	SDHC card slot, support up to 32G (Option)
Lens	All Glass filter lens 170 degree
File Format	JPEG/AVI/WAV
Digital zoom	8X
Battery	Built-in Li-ion battery
Screen rotation	270 degree
Output	PAL/NTSC/HDMI/USB2.0 Output
Interface	USB2.0/TV OUT/HDMI

### Troubleshooting

#### There is no display?

- Does the battery need charging.
- After the DVR is connected to my PC, it cannot find the New drive in the "My computer's folder?"**  
Make sure each end of the DVR USB cable is properly and firmly connected. Make sure your USB port works. Try connecting other USB device to check if USB port has a malfunction.
- I can't capture the video footage?**  
Make sure you have inserted SD card.  
Make sure there's enough space on the internal memory of DVR of the SD card. The display will tell you how much time left for video recording. If the SD card you inserted has capacity available, make sure it is not locked. It can't take video footage if card is locked.  
Memo: This machine is HD DVR, to guarantee to capture high-quality video image, it is recommended.  
Using high speed SD card.  
Formatting the card before recording.
- I can't play the video footage on my television?**  
Make sure to turn the DVR on.  
Make sure each end of the AV/HDMI cable is properly and firmly connected to DVR and your television.  
Please check if TV has been turned to the AV or HDMI mode.
- The image is not clear or dim.**  
Check out the lens whether there has any stain or finger print; use the Lens cloth to wipe up the Lens before shooting.

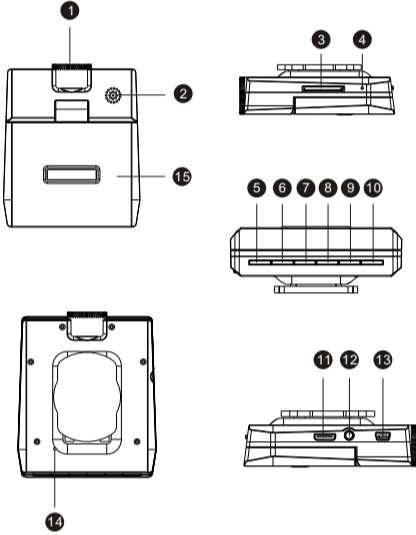
### Accessories

- Suction Cup Bracket
- Car Charger
- USB cable
- HDMI cable
- TV OUT cable
- Manual



### Interface keys instruction

1. Lens
2. Speaker
3. SD card slot
4. Microphone
5. Up key
6. Down key
7. Menu key
8. Mode key
9. OK key
10. Power key
11. HDMI interface
12. AV OUT interface
13. USB interface
14. Reset key
15. LCD screen



### PC Mode

In standby state, connect DVR to PC via the USB cable provided, when "U Disk" displayed in the LCD, it enters USD mode. Open "my computer", you should see a moveable disk icon, open it, "DCIM" file and "100MEDIA" by turn, and click your selected file, then play the video, audio or pictures you have recorded, and also can download your recorded file (AVI/WAV/JPG format).

### TV OUT Mode

Connect DVR to TV video input port and audio input port of with the AV cable provided. Choose AV mode on TV, Turn on DVR, the LCD screen of DVR will be off automatically, TV is under standby mode, all operation functions can be shown on TV, and you can operate DVR and playback files on TV accordingly.

### HDMI Mode

Connect DVR to HD TV video input port and audio input port of with the HDMI cable provided. Choose HDMI mode on TV, Turn on DVR, the LCD screen of DVR will be off automatically, HDTV is under browse mode, you can playback all files on TV accordingly. Press Mode key to monitoring state, press Mode key again to back to Browse mode.

### System Setting

Under standby mode, press "Mode" key five times to enter setting mode, press "UP/DOWN" key to select menu, press "OK" key to enter submenu, press again "UP/DOWN" key to select options, press "OK" key to confirm and back to Main Menu.

Language: English/ Simplified Chinese/Traditional Chinese/ Francais / Deutsch/ Pycc/ Japanese/ Portugues/Espanol/ Exit

Restore Defaults: Yes/No/Exit

Format: Yes/No/Exit

Date Format: YY/MM/DD, MM/DD/YY, DD/MM/YY, OFF, Exit

Time/Date Setting: Yes/No/Exit; (Press "UP/DOWN" key to select the menu, select "YES" to enter setting mode, press "UP/DOWN" key to select "Year, Month, Day, Hour, Minute, second, confirm, cancel", press "Menu" key or "Mode" key to adjust digitals, finish setting, press "UP/DOWN" key to select "Confirm" and then press "OK" key to confirm.

Frames: 50HZ, 60HZ, Exit

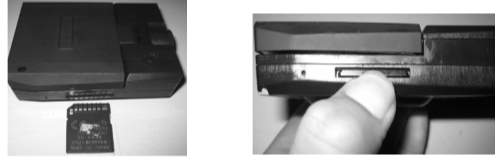
TV System: PAL/NTSC/Exit

Beep Sound: On/Off/Exit

Version: Ver: 110101.001/Exit

### Insert and Take out SD card

1. Insert SD card in the right direction as show, and fixed it in the card slot.
2. Press the end of SD card to take out it.



Memo:  
1) Check and make sure the SD is not locked before use.  
2) Insert the SD card in right direction; otherwise it may damage the vehicle DVR and card.

### Charging Description

Connect the car charger to the Vehicle DVR USB slot, and then connect the charger to the cigarette lighter device. When the engine starts, DVR will turn on automatically. Battery icon is flickering while charging, it stops flickering when fully charged.

Memo:  
Please make sure the AC power is turned on when the charger is plugged.

### Button Functions Description

- Power Key:** Power on/off
- OK Key:** Applied to take video, take picture, voice recording, and video playback, stop playback, and confirm menu setup.
- Mode Key:** Applied to convert video record mode, camera mode, browse mode, audio record mode, music mode, system setup circularly. Under picture/video/audio recording mode press mode key to return to browse mode, applied to clear screen.
- Menu Key:** Applied to enter submenu settings. Under music list mode, press menu key to browse next page.
- Down Key:** Applied to zoom out, select next menu or file.
- UP Key:** Applied to zoom in, select previous menu or file.
- Reset key:** Reset the camera

- 3) Check audios: Enter audio file, press UP/DOWN key to select the audio, press OK key to play, while playing, press OK key to stop playing.  
Memo: While playing video or audio, press UP key to turn up the volume, press DOWN key to turn down the volume to mute.
2. The Submenu of delete  
Under pictures browse, video playback and audio mode, press menu key to enter setting, press UP/DOWN key to select "Protect/Delete/Exit", press OK key to enter secondary menu, press UP/DOWN key again to select option, press OK key to confirm.  
Protect: Locked, Unlocked, Exit  
Delete: Delete current, Delete all clips, Exit  
Exit  
Memo: Under browse mode, if there is no picture/video/audio records, press "Menu" key will exit check status and back to browse mode.

### Clear Screen

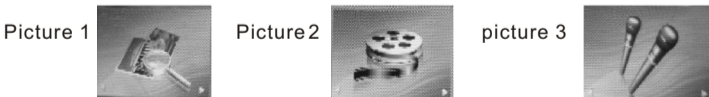
Under either camera, video, browse mode, press and hold Mode key for about 3 seconds to clear all characters that appeared on the DVR screen, and press and hold Mode key for about 3 seconds to return normal.

### Audio record mode

- 1) In standby state, press Mode key three times to enter audio record mode. The audio icon displayed in the upper left corner of LCD. The remaining time in the upper right corner, the recorded time in the bottom of LCD.
- 2) Press "OK" key to record audio, the recorded time displayed in the bottom of LCD, press again "OK" key to stop recording, and it will save automatically.

### Browse Mode

1. Check pictures, video and audio  
In standby state, press Mode key twice to enter browse mode, press "UP/DOWN" key to select camera file (pic. 1), video file (pic. 2), audio file (pic. 3), press "OK" key to enter. Under check out pictures, video or audio mode, press Mode key to return browse mode.



- 1) Check pictures: Enter picture file, press UP/DOWN key to check out all pictures.
- 2) Check videos: Enter video file, press UP/DOWN key to select the video, press OK key to play video (you will see the videos and hear the sound), the playing time displayed in the lower left corner of the LCD. While playing, press "OK" key to pause, press again to continue playing.

### Operation Description

#### Turn on/off the Vehicle DVR

1. Press Power key to turn on/off  
Press Power key to turn on the DVR (you will hear beeping sound), about 5 seconds later, it will begin to record automatically. Video icon and resolution displayed in the upper left corner of LCD, the flickering "REC" and Time Stamp displayed in the upper left. Battery icon is displayed in the upper right corner of LCD. Press OK key to stop recording, video icon and resolution displayed in the upper left corner, date and time displayed in the upper of LCD screen, battery and SD card icon displayed in the upper right corner. Press Power key again (you will hear beeping sound) to turn off DVR.
2. Turn on/off automatically  
1) Connect the car charger to the Vehicle DVR USB slot, and then connect the charger to the cigarette lighter device. When car starts, DVR will turn on automatically and record, the video icon and resolution displayed in the upper left corner of LCD, the flickering "REC" and time stamp displayed in the upper left, the flickering battery icon displayed in the upper right corner (Note: When the battery fully charged, the battery icon stop flickering). Press OK key to stop recording, video icon and resolution displayed in the upper left, date and time shows in the upside. The battery and SD card icon is in the upper right corner.  
2) DVR will stop recording after plug out the car charger for 20 seconds.  
3) Press Power key (you will hear beeping sound) to turn off the DVR.

#### Reset Key

When illegal operation causes the DVR system halted or can not work normally, press reset key to shut off state, pls turn on the DVR again to continue operation. Memo: If inserted with a mass storage card, it may cause operation slowly.

### Video Mode

1. Loop recording  
Under standby mode, press OK key to record, When record for 2 minutes (according to the record overwrite time you set), DVR will stop recording and save the video automatically, then continue recording; When SD card is full, DVR will delete the first video footage and continue recording. When recording, press OK key again to stop recording.
  2. Motion Detection  
Turn on "Motion Detection" (pls refer to menu setting), DVR will enter motion detection state. Under video mode, when detect the object is moving, it will start to record automatically, the object stops moving for a minute, DVR will stop recording, and continue monitoring, go round and round.
  3. Video secondary menu setting  
Under video mode, press Menu key to enter video menu setting status, press UP/DOWN key to select OK key to confirm.  
**Resolution:** 720P (25fps); 720 (30fps); VGA (50fps); VGA (60fps); Exit  
**Exposure:** +2.0EV; +1.5 EV; +1.0 EV; 0EV; -1.0 EV; -1.5 EV; -2.0 EV; Exit  
**White Balance:** Auto/Sunshine/Cloudy/Fluorescent/Tungsten/Exit  
**White Compensation:** On/Off/Exit  
**Motion Detection:** On/Off/Exit (Default Off)  
**Record overwrite:** 2MIN/5MIN/15MIN/Off/Exit (Default 2mins)  
(Note: When motion detection is on, loop recording is invalid)
- Audio:** On/Off/Exit  
**Time Stamp:** On/Off/Exit  
**Exit**

### Camera Mode

1. Take Pictures  
1) Under standby mode, press Mode key to enter camera mode. Camera icon and picture quality icon displayed in the upper left corner of LCD. The left side of the screen shows resolution, exposure, white balance, antishake, ISO; The upper left corner shows battery and SD card icon, Date and Time displayed in the upper of screen.  
2) Aim at the object and press OK key (you will hear Ka sound), to take a picture. It will save automatically.  
Memo: Do not move DVR when take pictures, or it will affect the pictures effect.
  2. Camera secondary menu setting  
Under camera mode, press Menu key to enter camera menu setting, press "UP/DOWN" key to select "OK" to confirm.  
**Scene:** Auto/Landscape/Portrait/Night Portrait/Beach/Sport/Dinner/ISO/Exit  
**Resolution:** 12M(4032\*3024); 8M(3264\*2448); 5M(2592\*1944); Exit  
**Quality:** Super/Normal/Normal/Exit  
**ISO:** ISO100, ISO200, Exit  
**Exposure:** +2.0EV; +1.5 EV; +1.0EV; 0 EV; -1.0 EV; -1.5 EV; -2.0 EV; Exit  
**Sharpness:** Soft/Normal/Sharp/Exit  
**White Balance:** Auto/ Sunshine/Cloudy/Fluorescent/Tungsten/Exit  
**Antishake:** Enable/Disable/Exit  
**Time Stamp:** On/Off/Exit  
**Multi Snapshot:** Enable (3 photos)/Disable/Exit  
**Exit**
- Zoom In/Out**  
Under video or camera mode, press UP/DOWN key to zoom in or zoom out.