

Start Here ▼▼

i This Quick Installation Guide provides a quick and easy way to set up the HOD45B in Access Point, Bridge or Universal Repeater mode. If you need to use the other modes, please refer to the manual located on the CD.

Package Contents

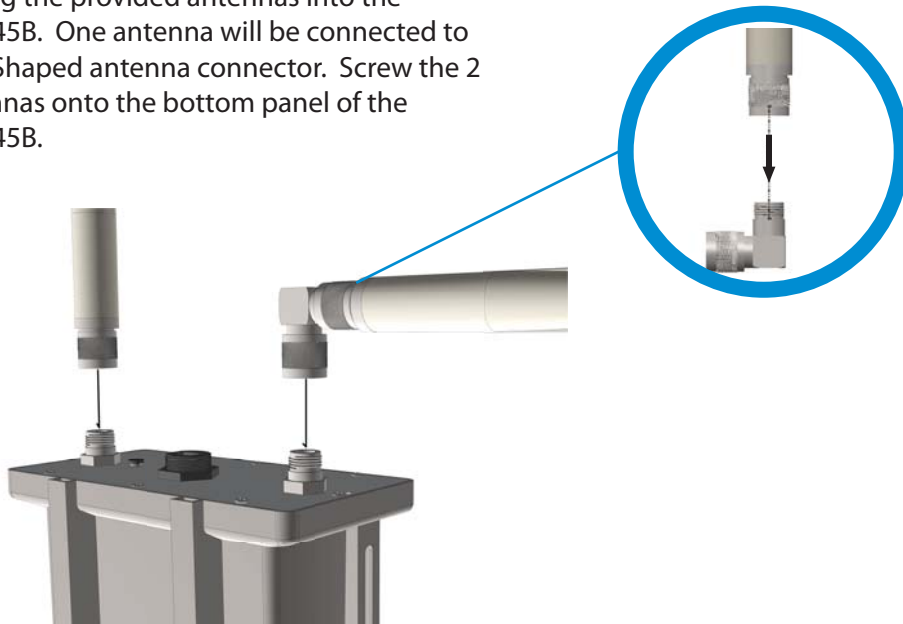
- 1x Outdoor Dual-Band Wireless-N Access Point/Bridge
- 2x 5dBi Hi-Gain Dual-Band Dipole Antennas
- 1x L-Shaped Antenna Connector
- 1x Power-Over-Ethernet (PoE) Adapter
- 1x Power Cable and Power Transformer
- 1x Waterproof Gasket
- 1x Three foot Ethernet Cable
- 1x Setup CD-ROM
- 1x Quick Installation Guide (QIG)

Requirements

- Ethernet Cable is required (length will depending on mounting location)
- Wired or Wireless Internet Connection
- A Wired or Wireless Network Device (Tablet, Smartphone, Mac or Windows Computer)
- Power Outlet

1 Hardware Setup

1) Plug the provided antennas into the HOD45B. One antenna will be connected to an L-Shaped antenna connector. Screw the 2 antennas onto the bottom panel of the HOD45B.

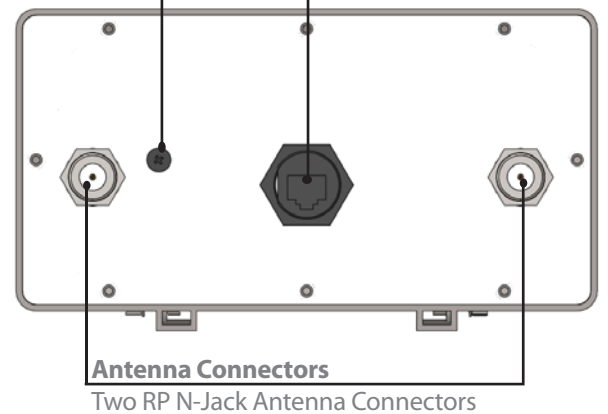


Reset Button

Reset to manufacturer settings - Unscrew cover and use a long, thin object to press for a minimum of 15 seconds, unplug the power for a few seconds then plug it in

Ethernet/Power Port

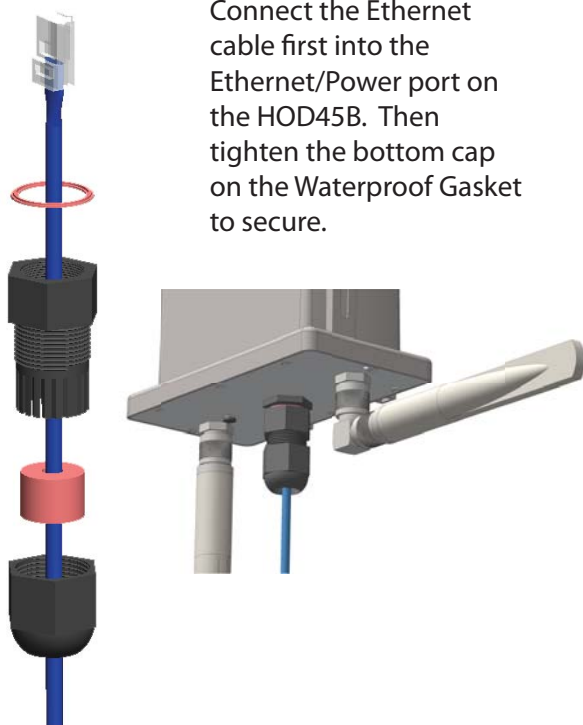
Connects to PoE adapter for power and for wired connections



Antenna Connectors

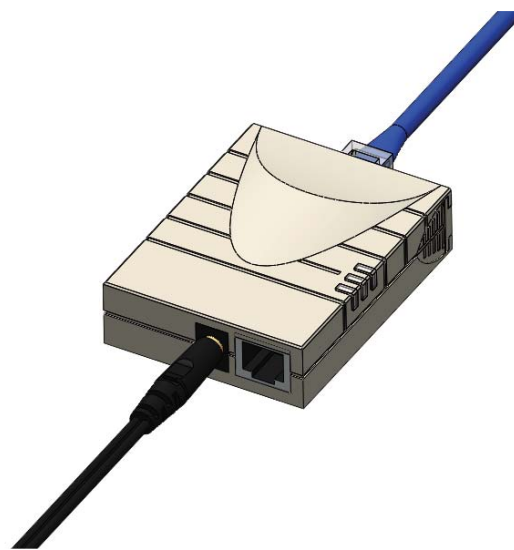
Two RP N-Jack Antenna Connectors

2) Installing the Waterproof Gasket. Using a network cable, please attach the waterproof gasket in the following order.

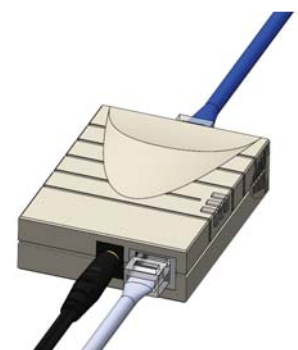


Connect the Ethernet cable first into the Ethernet/Power port on the HOD45B. Then tighten the bottom cap on the Waterproof Gasket to secure.

3) Installing the Power-over-Ethernet (PoE) Adapter. Plug the other end of the Ethernet Cable into the PoE Adapter. It should go into the port labeled "Power + Data Out". Connect the power adapter and power transformer to the PoE Adapter and into an available AC Socket.



Optional: If you wish to connect to the HOD45B using an Ethernet cable from a computer, connect an Ethernet cable to the port labeled "LAN" and plug the other end into your computer. Skip to Step 3.



Note: An outdoor Ethernet cable is not included with the HOD45B and must be purchased separately. The maximum recommended length is 150 Feet for the Ethernet Cable.

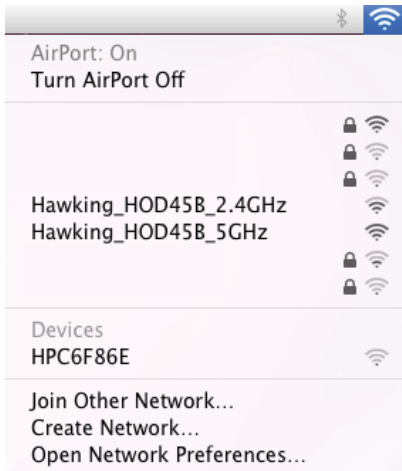
2 Configuring the HOD45B Access Point/Bridge using a WiFi Enabled Device

Using a WiFi enabled device, access the HOD45B by connecting to the network named **Hawking_HOD45B_2.4GHz** or **5GHz**. The HOD45B transmits both 2.4GHz and 5GHz signal frequencies. Connecting to either frequency will bring you to the same setup page.

Note: If your device does not support 5GHz frequency, the "Hawking_HOD45B_5GHz" network will not be displayed. However you can still complete your setup using the Wireless 2.4GHz frequency or Wired Connection. For Wired Connections, please plug your computer into the PoE Adapter port labeled "LAN", then go straight to Step 3.

For Mac Users

Click on the Wi-Fi icon in the "Apple" toolbar. Click on the "Hawking_HOD45B_2.4GHz" or "Hawking_HOD45B_5GHz." network from the drop-down menu. Then Continue to Step 3.



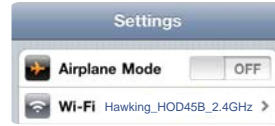
For Windows Users

On the lower right corner, go to your wireless network select. Click on "Hawking_HOD45B_2.4GHz" or "Hawking_HOD45B_5GHz." Then Continue on to Step 3.



Using an iPad® or an iPhone®

Go to your wireless setting, select "Hawking_HOD45B_2.4GHz" Network. Then, go to Step 3.



(Make sure JavaScript is ON. To check your settings, go to Settings > Select Safari > then scroll down to view Javascript.)



Using an Android device

On your mobile device, locate the "settings" menu.



Select "Wireless & Networks"



Click "Turn on Wi-Fi" and then click on the "Wi-Fi Settings" option.



Look for "Hawking_HOD45B_2.4GHz". Select it to connect. Then Continue to Step 3



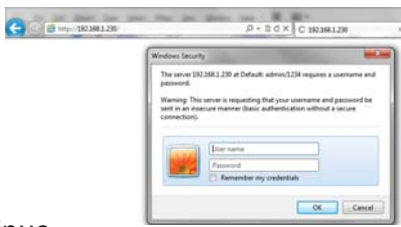
3 Login into the HOD45B

Using the same device, open a web browser and type in the following web address in the web address bar: <http://192.168.1.230>

Once the page loads, enter the following login information:

Login: **admin**
Password: **1234**

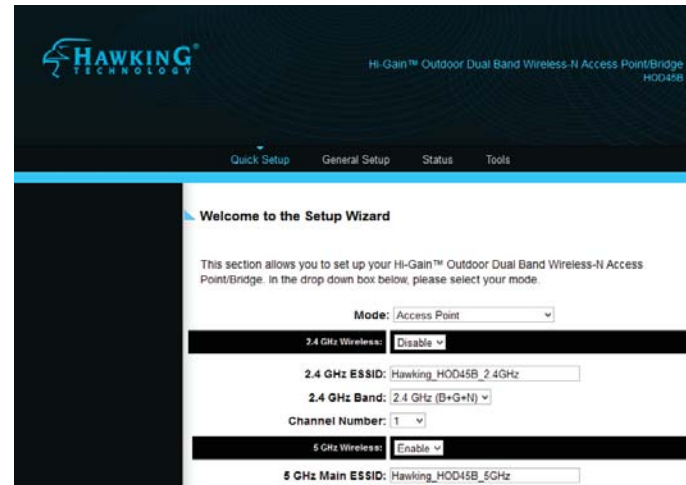
Click **Login** to continue.



If the page doesn't load, please check if JavaScript is enabled. Generally, this should be enabled by default. However, if it's not, please go into your Browser Settings and enable JavaScript.

4 Choosing your Mode

In the drop down box, please select your mode of operation for the HOD45B. This quick installation guide will outline the basic Access Point, Station Infrastructure (Bridge) and Universal Repeater modes. For other modes and features, please refer to the manual on your CD.



5 Configuring Mode Settings

ACCESS POINT MODE

A. In the drop down menu, choose "Access Point"

Mode: **Access Point**

The ESSID will be the wireless name of your network. The HOD45B transmits in both 2.4GHz and 5GHz. The default wireless broadcast names:

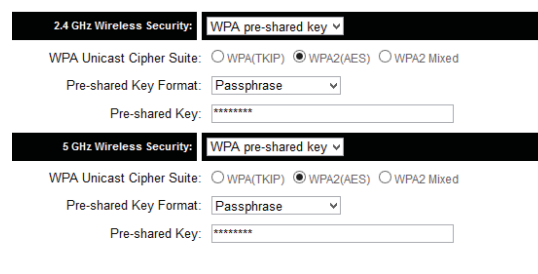
2.4GHz: **Hawking_HOD45B_2.4GHz**

5GHz: **Hawking_HOD45B_5GHz**.

Click "Next".



B. Hawking recommends you choose a security setting to protect your network from unauthorized users. In the drop down box, please select "WPA (pre-shared key)". In the pre-shared key field, please type in a password of at least 8 characters of your choice. If you prefer to use a different type of security or to have an open network, you can choose your selection from the drop down menu. Click "Apply".



C. The HOD45B will ask you if you wish to apply these settings. Click "Apply".

Settings Saved Successfully!

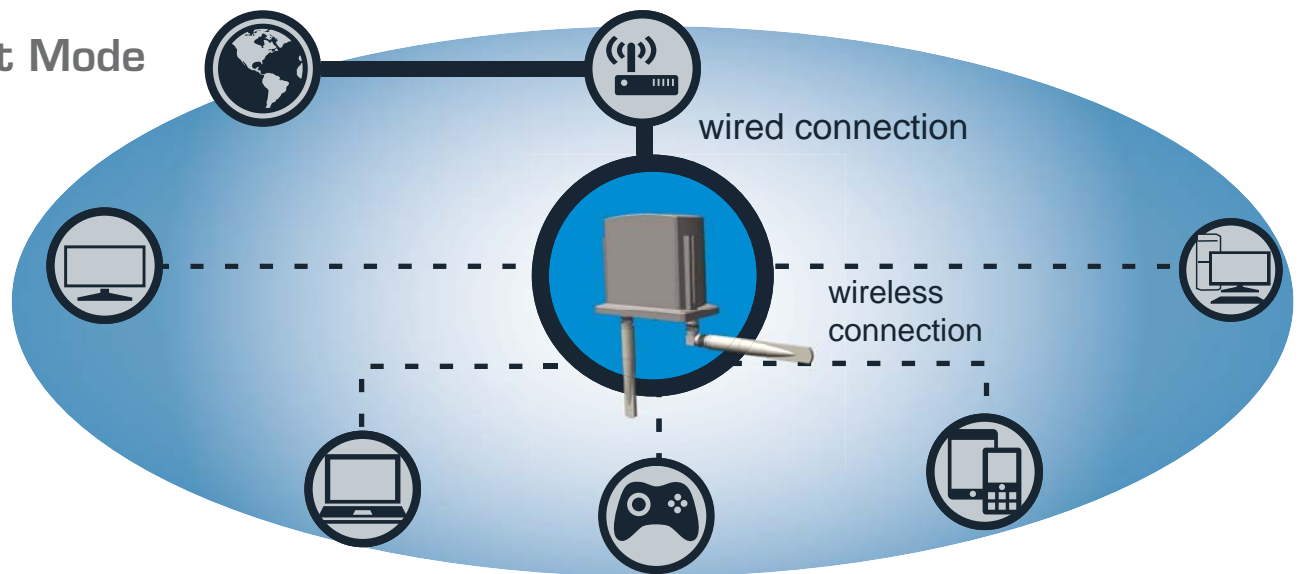
You may press Go Back button to continue configuring other settings or press APPLY button to restart the system to make the changes take effect.

Go Back Apply

Now use an Ethernet Cable to connect the HOD45B to your router through the LAN port (on the PoE adapter and the Router). Congratulations, you have completed setup in Access Point Mode.

Overview : Access Point Mode

In Access Point Mode, the HOD45B broadcasts WiFi Signal from a wired Network (i.e. a wired Router) and allows your WiFi enabled devices to connect wirelessly to your Network. Note: The HOD45B must be plugged into the router or network after setup.



STATION INFRASTRUCTURE (BRIDGE MODE)

A. In the drop down menu, choose "Station (Infrastructure)"

Mode:

B. Click on "Select Site Survey" A new window will pop up. Select your network, click "Done".

Select	Band	Channel	SSID	Encryption	Authentication	Signal	Mode
<input type="radio"/>	2.4	6	Hawking_HD45R_2.4GHz	AES	WPA2PSK	100	11a/g/n
<input type="radio"/>	2.4	7		TKIP	WPA2PSK	13	11a/g/n
<input type="radio"/>	2.4	7		AES	WPA2PSK	100	11a/g/n
<input type="radio"/>	2.4	9		AES	WPA2PSK	2	11a/g/n
<input type="radio"/>	2.4	10		NONE	OPEN	42	11b
<input type="radio"/>	5	36	Hawking_HD45R_5GHz	AES	WPA2PSK	100	11a/n
<input type="radio"/>	5	48		AES	WPA2PSK	99	11a/n

i The 2.4GHz networks will appear in blue and 5GHz networks will appear in orange. While you can select a 2.4GHz network, if available we recommend connecting to a 5GHz network to optimize your speed and throughput.

C. If the network you are selecting has security, it will prompt you to put in a wireless security key. It will skip this step if your network has no key. (Be sure to type in the correct key! If you are unsure of what your key is, please contact your network administrator or wireless router manufacturer. Click "Next".)

Mode:

Wireless SSID:

Site Survey:

Wireless Password:

Display characters

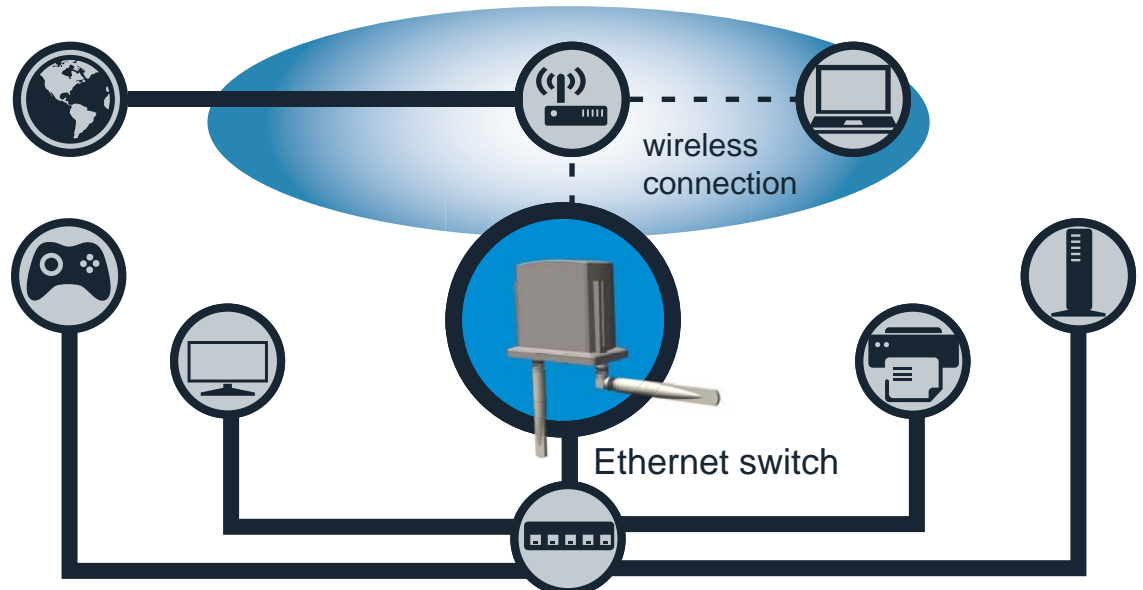
D. The setup of your HOD45B is now complete. To make any changes, click "Back". Click "Apply" to complete your setup. The HOD45B will automatically reboot and connect to your wireless network.

Congratulations! You have set up the HOD45B as a Bridge.

Please connect the HOD45B into your network devices with an ethernet cable in order for the HOD45B to function properly in Bridge Mode. Use the LAN port on the PoE adapter.

Overview : Station Infrastructure (Bridge) Mode

In this mode, the HOD45B allows you to connect wired devices to an existing wireless router or access point. Note: Using this mode, the HOD45B does not broadcast any WiFi signal. It can only link directly to the wireless source.



UNIVERSAL REPEATER (RANGE EXTENDER MODE)

A. In the drop down menu, choose "Universal Repeater"

Mode:

B. Click 'Scan' to find your wireless Internet connection. Select a network you would like to extend, 2.4GHz or 5GHz. It should appear in the SSID field below.

Band	Channel	SSID	Encryption	Authentication	Signal
2.4	1		WEP	OPEN	15
2.4	3		AES	WPA2PSK	92
2.4	3		AES	WPA2PSK	100
2.4	10	Hawking_HD45R_2.4GHz	NONE	OPEN	100
2.4	11		AES	WPA2PSK	13
5	36	Hawking_HD45R_5GHz	NONE	OPEN	100

i The 2.4GHz networks will appear in blue and 5GHz networks will appear in orange. While you can select a 2.4GHz network, if available we recommend connecting to a 5GHz network to optimize your speed and throughput. (If the signal strength is low or your network does not appear, you may need to adjust the location of your HOD45B. Click 'Scan' to try again.)

C. The Quick Setup will prompt you to enter a security key only if the network you are connecting to is encrypted. Enter the key if prompted and click 'Next'. Note: If there is no security on the original network, just click 'Next'

If you do not know the security key of the network you are connecting to, please consult your network administrator.

SSID: Ch:

Wireless Password:

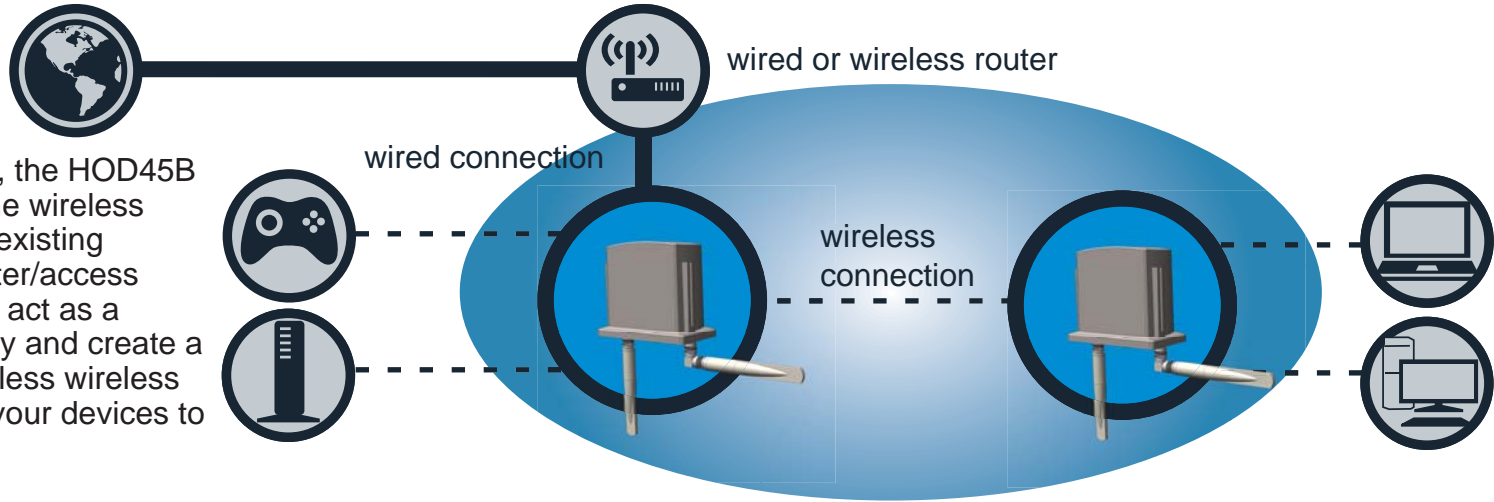
Display characters

D. The setup of your HOD45B is now complete. To make any changes, click "Back". Click "Apply" to complete your setup. The HOD45B will automatically reboot and start repeating and extending your wireless network.

i After the reboot, the HOD45B will join the original network. It will automatically be renamed to your original wireless network, unless it was specified during the set up process. If you wish to modify this name, please refer to the user's manual.

Overview : Universal Repeater (Range Extender) Mode

In this mode, the HOD45B will repeat the wireless signal of an existing wireless router/access point. It will act as a wireless relay and create a larger, seamless wireless network for your devices to connect to.



Placing your HOD45B in an Optimal Location in Universal Repeater Mode

✓ Place the HOD45B **within** the range of your wireless source.

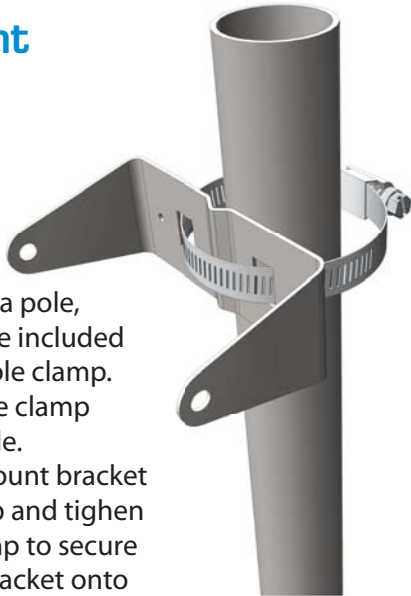
✗ DO NOT place the HOD45B **outside** the range of your wireless source.



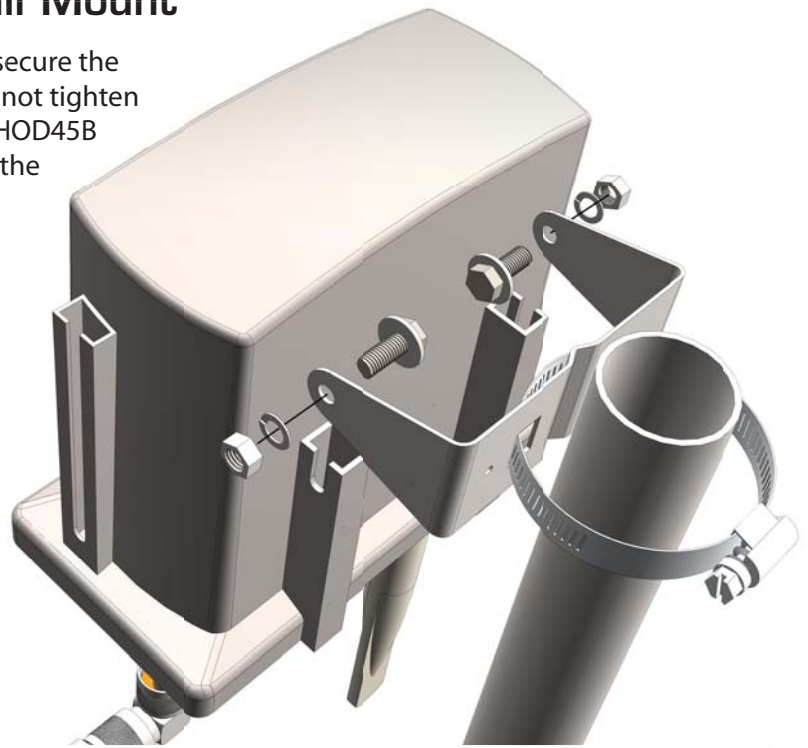
6 Mounting the HOD45B on a Pole or a Wall Mount

Pole Mount

To mount on a pole, please use the included adjustable pole clamp. Place the pole clamp around the pole. Match the mount bracket to pole clamp and tighten the pole clamp to secure the mount bracket onto the pole.



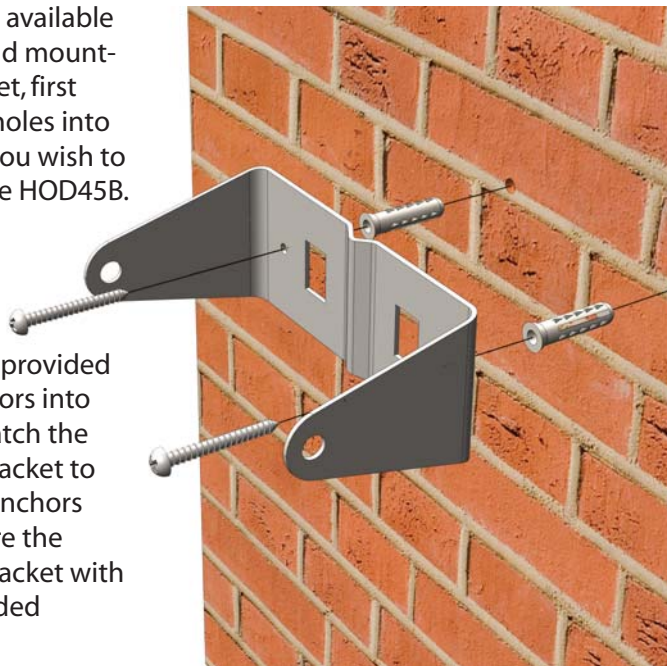
Place the nuts and secure the bolts as shown. Do not tighten fully yet. Place the HOD45B into the sockets on the back panel and tighten securely.



Wall Mount

Using the available screws and mounting bracket, first drill two holes into the wall you wish to mount the HOD45B.

Place the provided wall anchors into holes. Match the mount bracket to the wall anchors and secure the mount bracket with the provided screws.



Place the nuts and secure the bolts as shown. Do not tighten fully yet. Place the HOD45B into the sockets on the back panel and tighten securely.

