

# UM10819

## PN7120 User Manual

Rev. 1.0 — 3 April 2015  
299610

User manual  
COMPANY PUBLIC

### Document information

Info	Content
<b>Keywords</b>	PN7120, NFC, NFCC, NCI
<b>Abstract</b>	This is a user manual for the PN7120 NFC Controller The aim of this document is to describe the PN7120 interfaces, modes of operation and possible configurations.



**Revision history**

Rev	Date	Description
1.0	20150403	First official release
0.4	20150402	Modification of the chapter 13 about PRBS test mode
0.3	20150206	Revised version
0.2	20141223	Approved version
0.1	20140929	Initial version of the document

**Contact information**

For more information, please visit: <http://www.nxp.com>

## 1. Introduction

---

The PN7120 is a full features NFC controller for contactless communication at 13.56 MHz.

The User Manual describes the software interfaces (API), based on the NFC FORUM standard, NCI (see the chapter →17: References.)

Note: this document includes cross-references, which can be used to directly access the section/chapter referenced in the text. These cross-references are indicated by the following sign: '→'. This sign is positioned right before the section/chapter reference. The way to jump to the referenced section/chapter depends on the file format:

- In the word format, you have to first press the key "Ctrl" on the key board and then to click on the section/chapter reference number pointed by the '→' sign. The mouse symbol changes to a small hand when it is positioned on the section/chapter reference number.
- In .pdf format, you only have to click on the section/chapter reference number pointed by the '→' sign : the mouse symbol automatically changes to a small hand when it is positioned on the section/chapter reference number

As this document assumes pre-knowledge on certain technologies please check section →17: References to find the appropriate documentation.

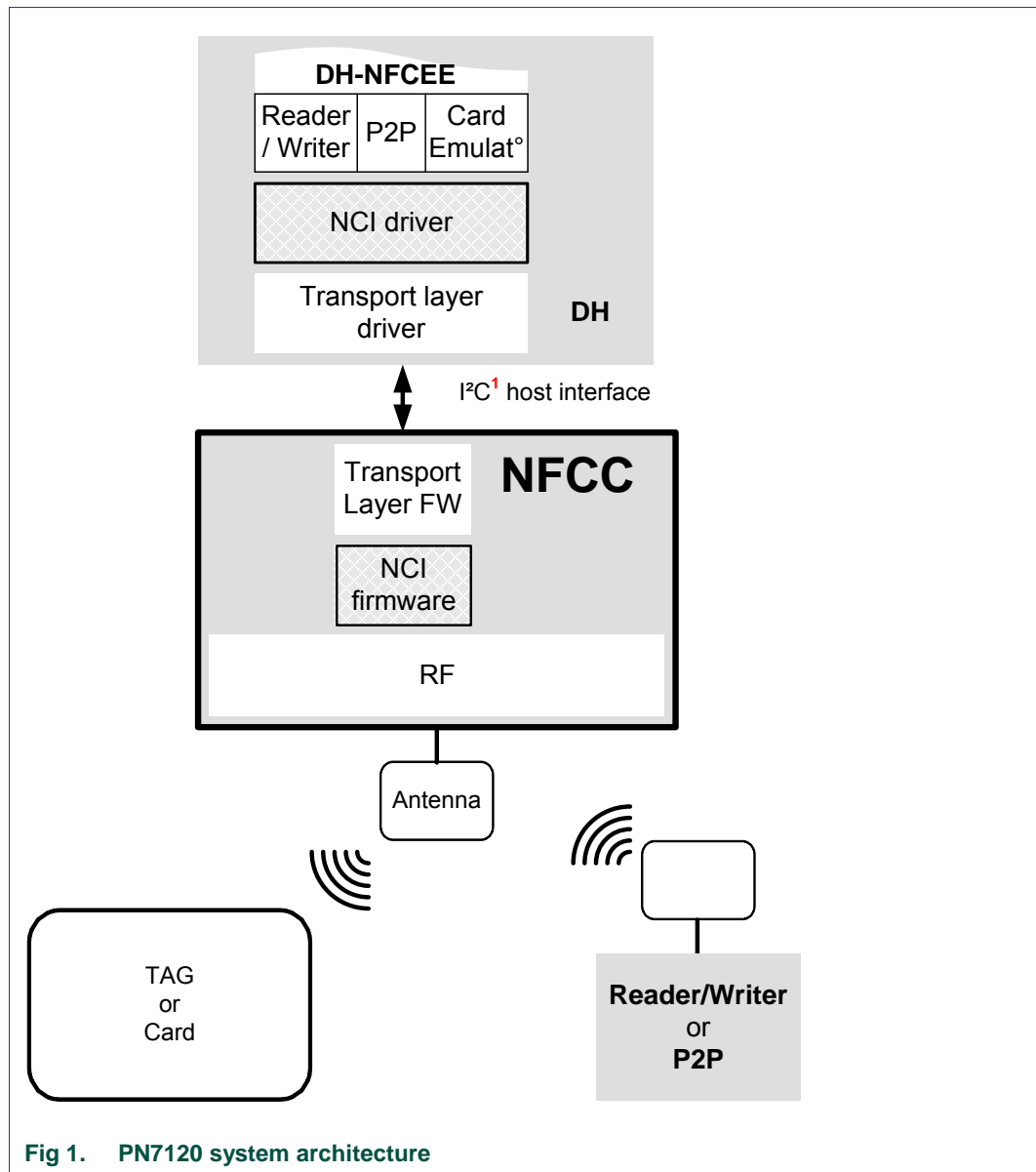
For further information please refer to the PN7120 data sheet [PN7120\_DS].

## 2. The PN7120 architecture overview

---

The PN7120 is an NFC Controller, which is briefly described in [Fig 1](#):

- The top part describes the Device Host (DH) architecture with Higher Layer Driver (i.e Android stack) hosting the different kind of applications (Reader/Writer, Peer to Peer, Card Emulation in the DH-NFCEE), the NCI driver & the transport layer driver.
- The PN7120 is the NFCC in the [Fig 1](#). It is connected to the DH through a physical interface which is an I<sup>2</sup>C. The PN7120 firmware supports the NCI specification. The firmware also provides support for additional extensions that are not contained in the NCI specification. These additional extensions are specific to the PN7120 chip and are proprietary to NXP.
- The bottom part of the figure contains the RF antenna connected to the PN7120, which can communicate over RF with a Tag (Card) and a Reader/Writer or a Peer device.



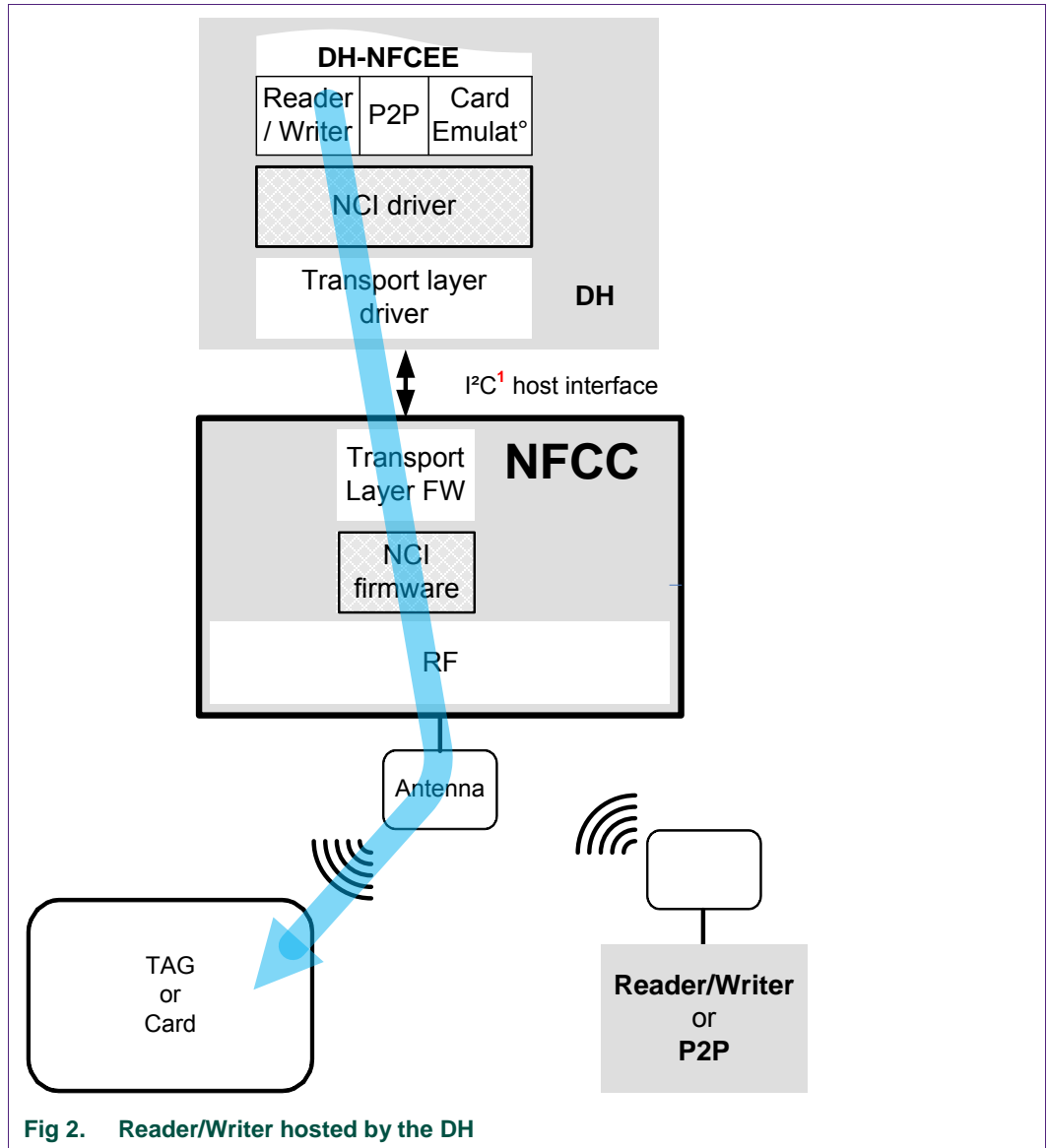
<sup>1</sup> No additional framing on I<sup>2</sup>C, → 4.3

For contactless operation, several Modes of operation are possible, based on the overall system described above.

## 2.1 Reader/Writer Operation in Poll Mode

This mode of operation is further detailed in chapter →7.

The Reader/Writer application running on the DH is accessing a remote contactless Tag/Card, through the PN7120.



<sup>1</sup> No additional framing on I²C, → 4.3

## 2.2 Card Emulation Operation in Listen Mode

This mode of operation is further detailed in chapter →8.

An external Reader/Writer accesses the DH-NFCEE emulating a contactless card, through the PN7120.

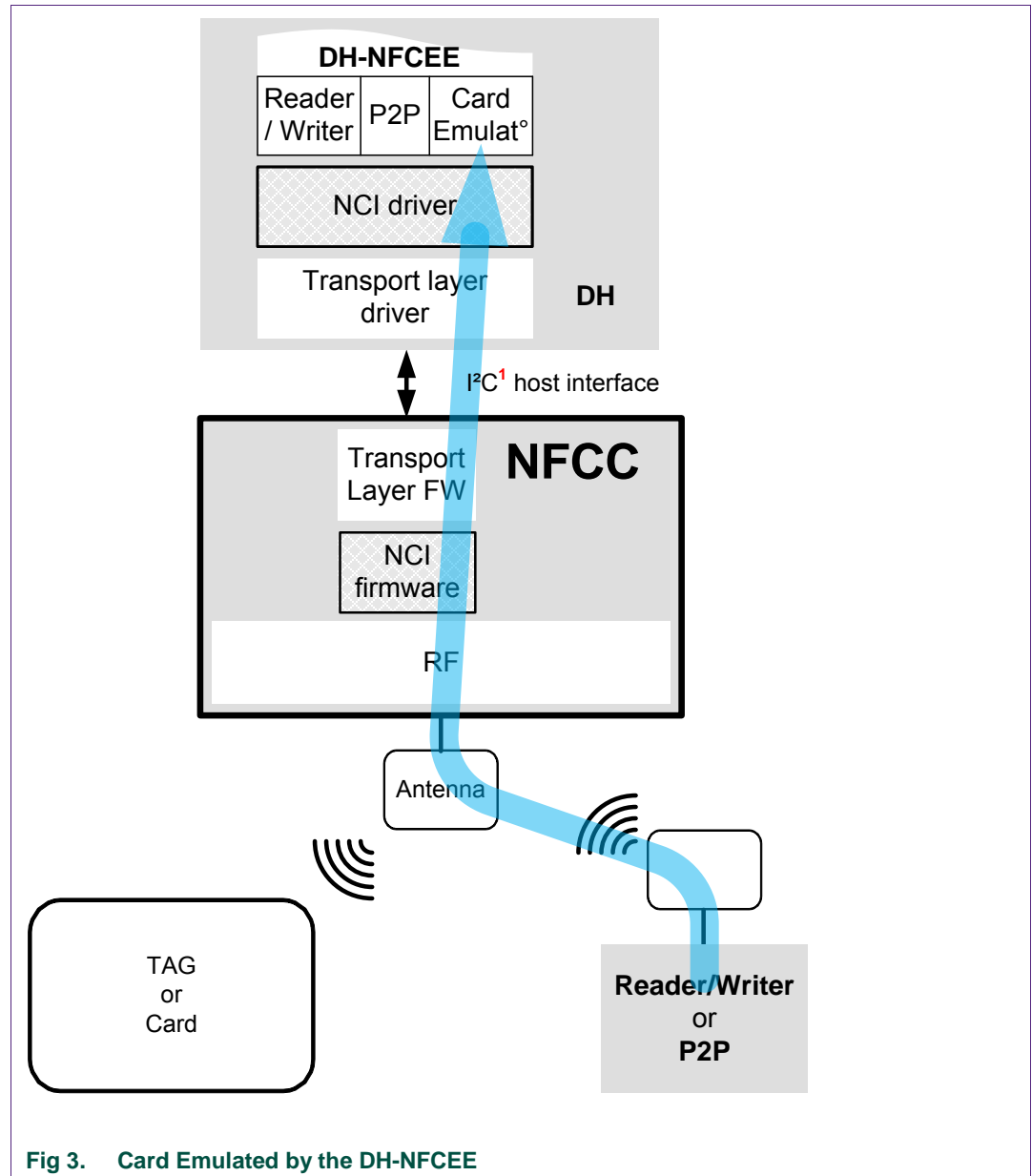


Fig 3. Card Emulated by the DH-NFCEE

<sup>1</sup> No additional framing on I²C, → 4.3

### 2.3 Peer to Peer Operation in Listen & Poll Mode

This mode of operation is further detailed in chapter →0

The P2P application running on the DH is accessing a remote Peer device, through the PN7120.

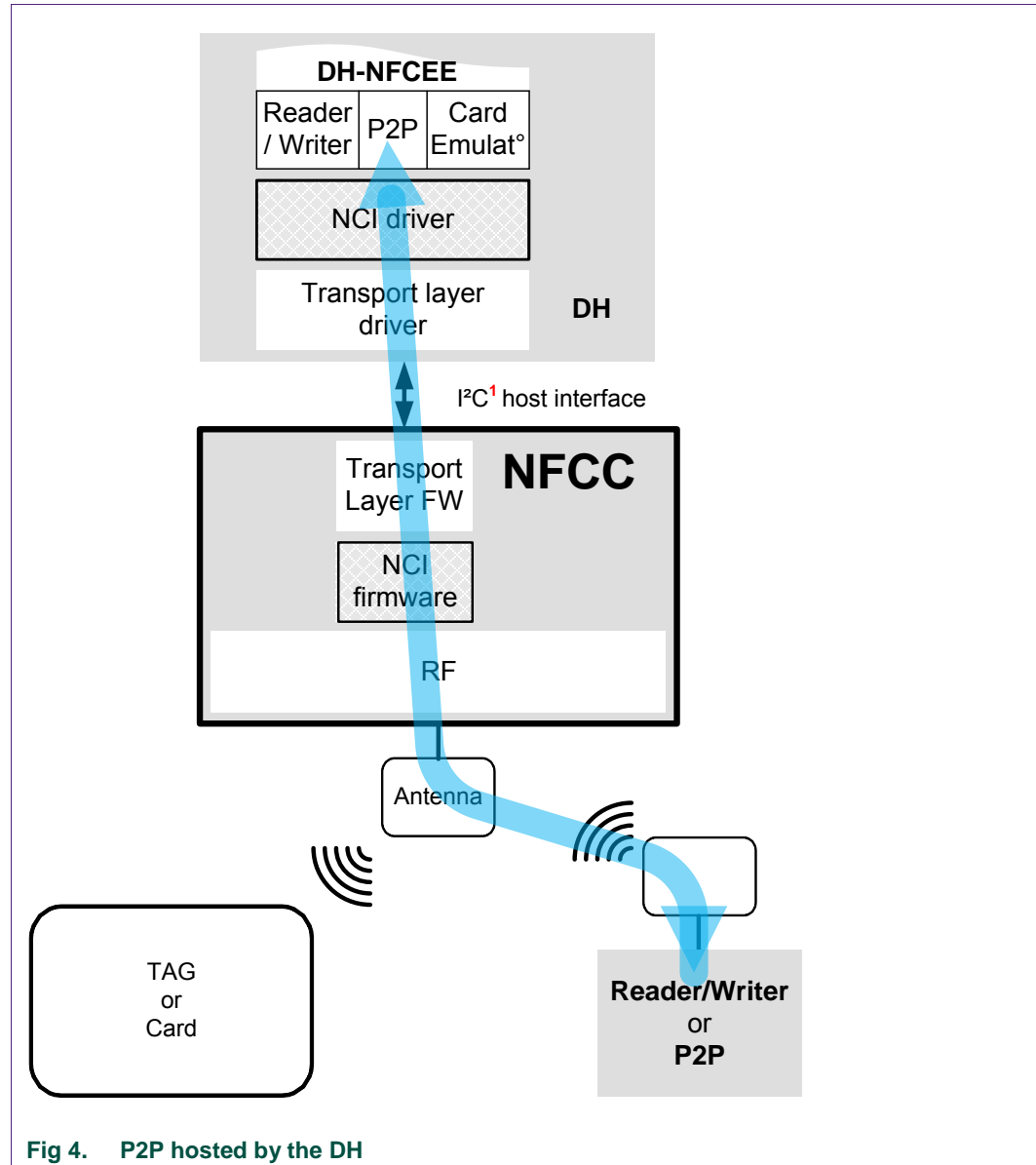


Fig 4. P2P hosted by the DH

<sup>1</sup> No additional framing on I<sup>2</sup>C, → 4.3



## 2.4 Combined Modes of Operation

The PN7120 firmware is able to combine the basic modes of operation described above, using the RF Discovery as defined in [NCI]. As the PN7120 offers more features than what [NCI] addressed, NXP has defined some proprietary extensions.

The principle used to combine the various modes of operation is to build a cyclic activity which will sequentially activate various modes of operation. This cyclic activity is called the polling loop. This loop alternates listening phase (NFCC behaves as card or target) and polling phase (NFCC behaves as a reader/writer or an initiator). A cycle of the polling loop is called RF discovery sequence; it is made of 3 steps:

1. Start a Polling phase to look for a remote Tag/Card or a remote Target. If several technologies are enabled by the DH, PN7120 will poll sequentially for all the enabled technologies.
2. If no card or tag or target was detected, PN7120 enters a Listening phase, to potentially be activated as a Card / Tag emulator or a P2P target by an external Reader/Writer or external Initiator.
3. If no device to interact is detected during polling phase (step 1) or listening phase (step 2), then after a programmable timeout, PN7120 switches back to polling phase (step 1).

A combination of the 3 different steps defines a polling loop profile.

The RF discovery sequence is usually drawn as below (here applied for the NFC forum polling loop profile where technologies NFC-A, NFC-B & NFC-F are activated in Poll Mode):

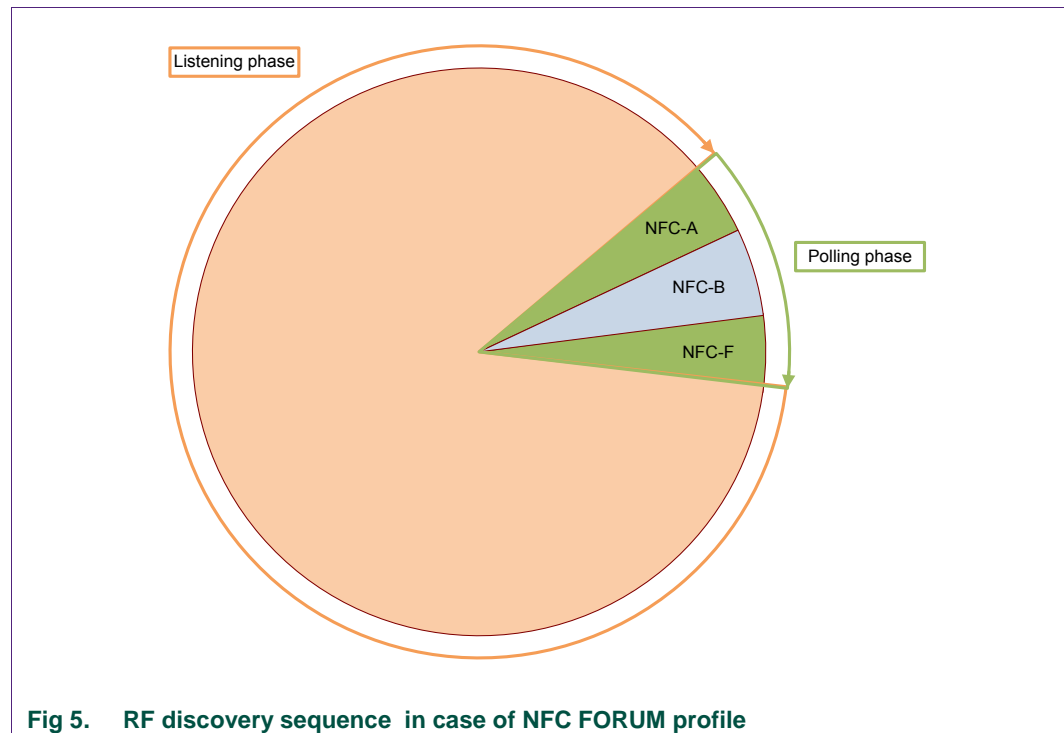
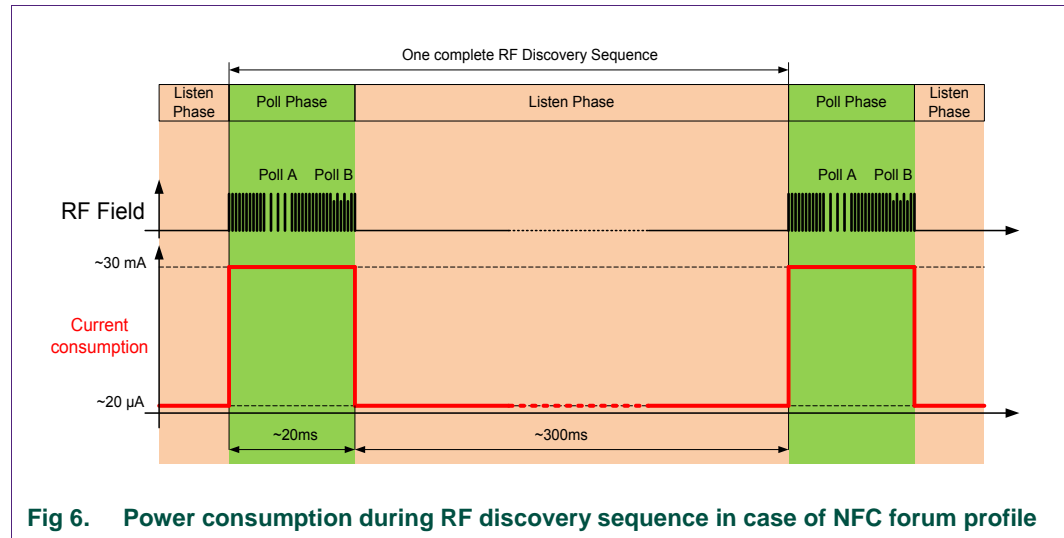


Fig 5. RF discovery sequence in case of NFC FORUM profile

Please note that when the PN7120 is in Poll phase, it consumes a significant amount of current: in the range of 30mA (depending on the antenna characteristics). This applies at least for the 3 polled technologies drawn on the Fig 5, above (NFC-A, NFC-B and NFC\_F) and it is due to the fact that the PN7120 has to generate the RF carrier (13.56MHz). However, during the Listen phase, the PN7120 current consumption is reduced to around 20µA when standby mode is enabled, due to the fact that it is waiting for the detection of an externally generated RF carrier.

Here is a figure illustrating a RF Discovery sequence, where polling is enabled only for NFC-A & NFC-B, for simplicity:



**Fig 6. Power consumption during RF discovery sequence in case of NFC forum profile**

In a typical set-up, the polling phase is approximately 20ms long while the listening phase is usually in the range 300ms to 500ms long (this is configured thanks to the NCI parameter called TOTAL\_DURATION).

For 500ms this gives an average power consumption of:

$$[30 \times 20 + 0.02 \times 500] / 520 = 1.17 \text{mA.}$$

This average consumption can even be further optimized, using the PN7120 feature called “Tag Detector”. See chapter →10.3 for more details.

See chapter →9.3 for further details on the RF discovery activity.

### 3. NCI Overview

The aim of this section is to give an overview of the key points of the [NCI] specification.

#### 3.1 NCI Components

Here below are described the NCI component as defined in [NCI] which are located in the NFCC embedded FW.

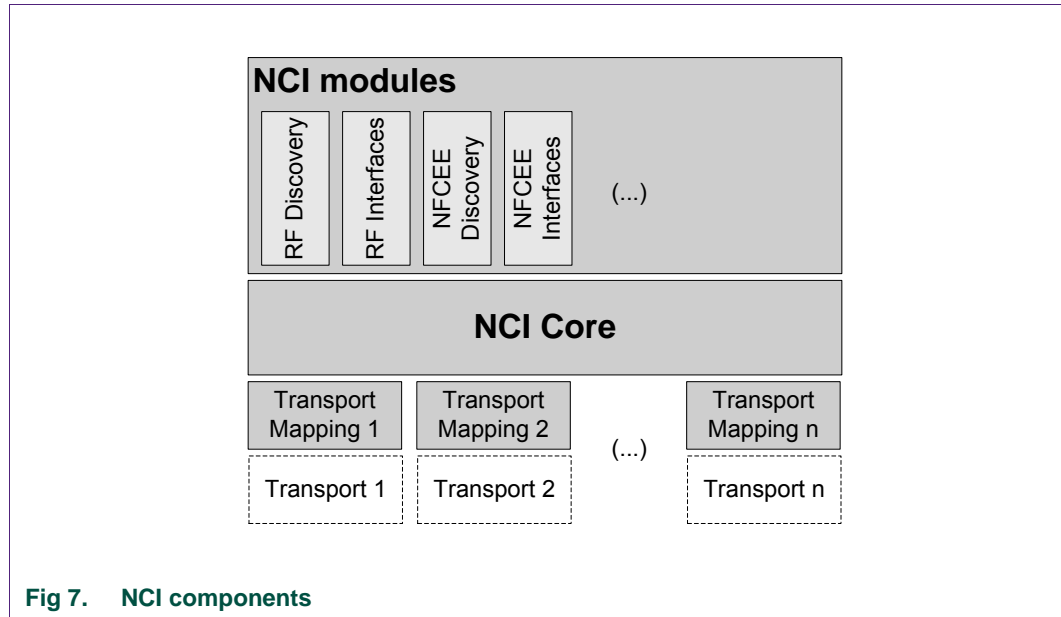


Fig 7. NCI components

##### 3.1.1 NCI Modules

NCI modules are built on top of the functionality provided by the NCI Core. Each module provides a well-defined functionality to the DH. NCI modules provide the functionality to configure the NFCC and to discover and communicate with Remote NFC Endpoints (see [NCI] for definition) or with DH-NFCEEs.

Some NCI modules are mandatory parts of an NCI implementation, others are optional. There can also be dependencies between NCI modules in the sense that a module may only be useful if there are other modules implemented as well. For example all modules that deal with communication with a Remote NFC Endpoint (the RF Interface modules) depend on the RF Discovery to be present.

##### 3.1.2 NCI Core

The NCI Core defines the basic functionality of the communication between a Device Host (DH) and an NFC Controller (NFCC). This enables Control Message (Command, Response and Notification) and Data Message exchange between an NFCC and a DH.

### 3.1.3 Transport Mappings

Transport Mappings define how the NCI messaging is mapped to an underlying NCI Transport, which is a physical connection (and optional associated protocol) between the DH and the NFCC. Each Transport Mapping is associated with a specific NCI Transport (see [NCI] for definition).

## 3.2 NCI Concepts

This chapter outlines the basic concepts used in [NCI].

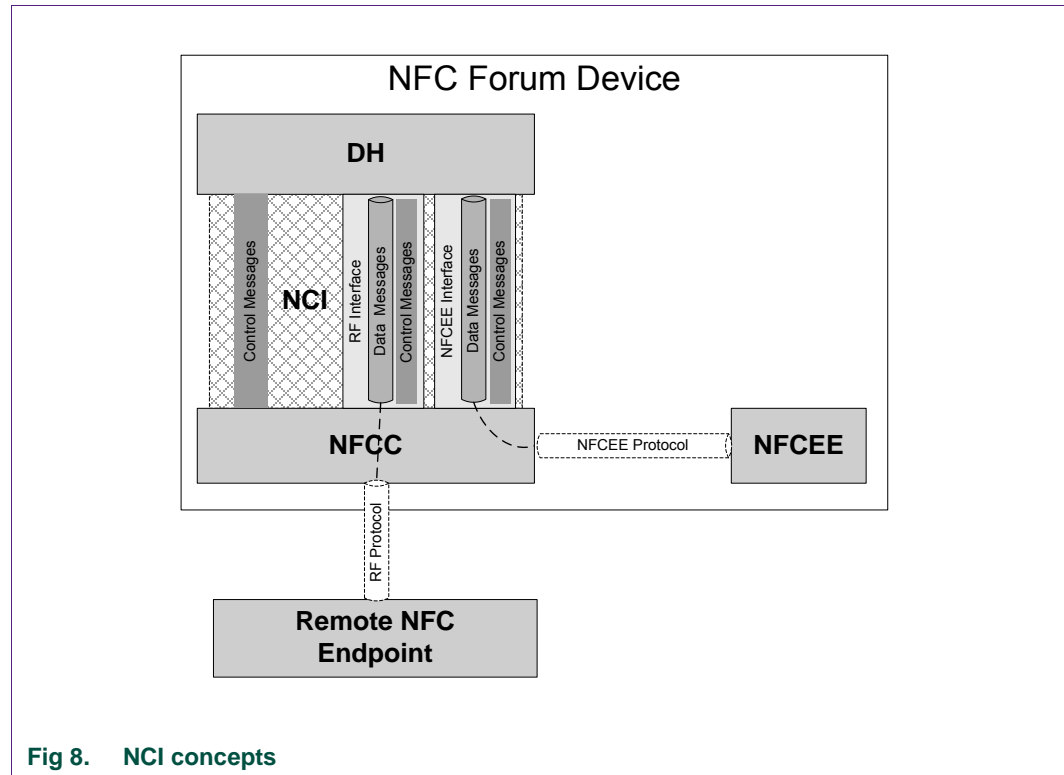


Fig 8. NCI concepts

### 3.2.1 Control Messages

A DH uses NCI Control Messages to control and configure an NFCC. Control Messages consist of Commands, Responses and Notifications. Commands are only allowed to be sent in the direction from DH to NFCC, Responses and Notifications are only allowed in the other direction. Control Messages are transmitted in NCI Control Packets, NCI supports segmentation of Control Messages into multiple Packets.

The NCI Core defines a basic set of Control Messages, e.g. for setting and retrieving of NFCC configuration parameters. NCI Modules can define additional Control Messages.

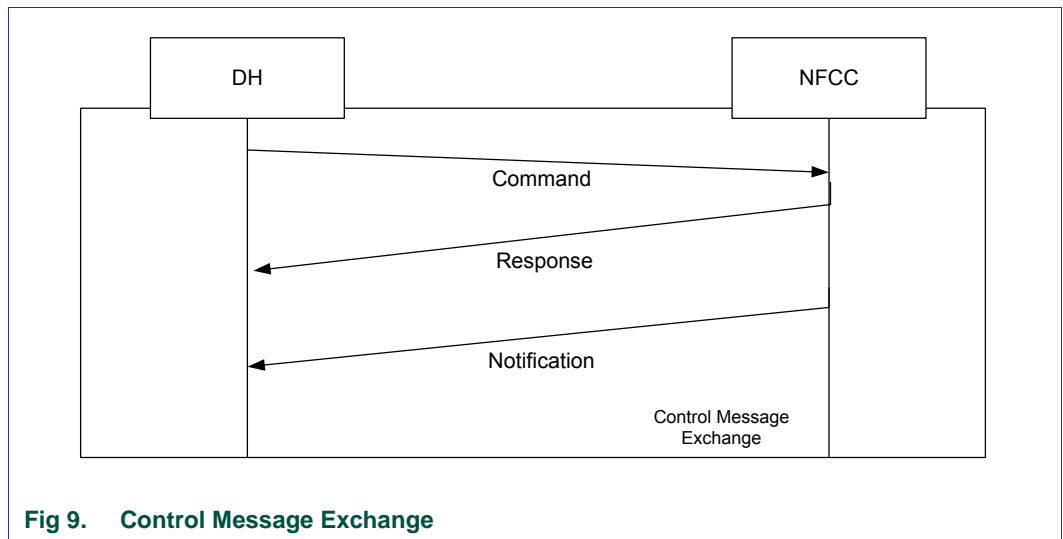


Fig 9. Control Message Exchange

### 3.2.2 Data Messages

Data Messages are used to transport data to either a Remote NFC Endpoint (named RF Communication in NCI) or to an NFCEE (named NFCEE Communication). NCI defines Data Packets enabling the segmentation of Data Messages into multiple Packets.

Data Messages can only be exchanged in the context of a Logical Connection. As a result, a Logical Connection must be established before any Data Messages can be sent. One Logical Connection, the Static RF Connection, is always established during initialization of NCI. The Static RF Connection is dedicated to be used for RF Communication. Additional Logical Connections can be created for RF and/or NFCEE Communication.

Logical Connections provide flow control for Data Messages in the direction from DH to NFCC.

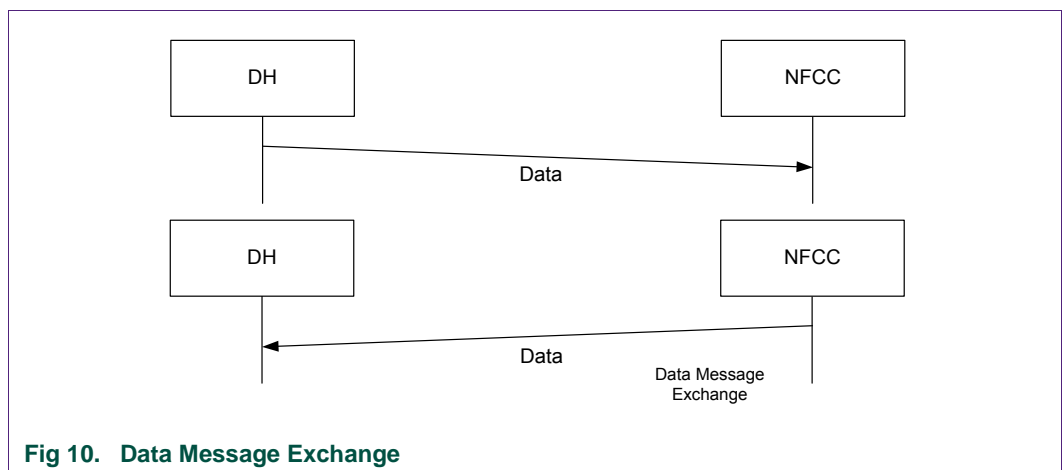


Fig 10. Data Message Exchange

### 3.2.3 Interfaces

An NCI Module may contain one Interface. An Interface defines how a DH can communicate via NCI with a Remote NFC Endpoint or NFCEE. Each Interface is defined to support specific protocols and can only be used for those protocols (the majority of Interfaces support exactly one protocol). NCI defines two types of Interfaces: RF Interfaces and NFCEE Interfaces.

Protocols used to communicate with a Remote NFC Endpoint are called RF Protocols. Protocols used to communicate with an NFCEE are called NFCEE Protocols.

An NFCEE Interface has a one-to-one relationship to an NFCEE Protocol, whereas there might be multiple RF Interfaces for one RF Protocol. The later allows NCI to support different splits of the protocol implementation between the NFCC and DH. An NCI implementation on an NFCC should include those RF Interfaces that match the functionality implemented on the NFCC.

Interfaces must be activated before they can be used and they must be deactivated when they are no longer used.

An Interface can define its own configuration parameters and Control Messages, but most importantly it must define how the payload of a Data Message maps to the payload of the respective RF or NFCEE Protocol and, in case of RF Communication, whether the Static RF Connection is used to exchange those Data Messages between the DH and the NFCC.

### 3.2.4 RF Communication

RF Communication is started by configuring and running the polling loop (RF discovery sequences in loops). The RF discovery sequence involved the NCI module called RF discovery. This module discovers and enumerates Remote NFC Endpoints.

For each Remote NFC Endpoint, the RF Discovery module provides the DH with the information about the Remote NFC Endpoint gathered during the RF Discovery sequence. One part of this information is the RF Protocol that is used to communicate with the Remote NFC Endpoint. During RF Discovery module configuration, the DH must configure a mapping that associates an RF Interface for each RF Protocol. If only a single Remote NFC Endpoint is detected during one discovery sequence, the RF Interface for this Endpoint is automatically activated. If there are multiple Remote NFC Endpoints detected during the Poll phase, the DH can select the Endpoint it wants to communicate with. This selection also triggers the activation of the mapped Interface.

After an RF Interface has been activated, the DH can communicate with the Remote NFC Endpoint using the activated RF Interface. An activated RF Interface can be deactivated by either the DH or the NFCC (e.g. on behalf of the Remote NFC Endpoint). However each RF Interface can define which of those methods are allowed. Depending on which part of the protocol stack is executed on the DH there are different deactivation options. For example if a protocol command to tear down the communication is handled on the DH, the DH will deactivate the RF Interface. If such a command is handled on the NFCC, the NFCC will deactivate the Interface.

This specification describes the possible Control Message sequences for RF Communication in the form of a state machine.

### 3.2.5 NFCEE Communication

The DH can learn about the NFCEEs connected to the NFCC by using the NFCEE Discovery module. During NFCEE Discovery the NFCC assigns an identifier for each NFCEE. When the DH wants to communicate with an NFCEE, it needs to open a Logical Connection to the NFCEE using the corresponding identifier and specifying the NFCEE Protocol to be used.

Opening a Logical Connection to an NFCEE automatically activates the NFCEE Interface associated to the protocol specified. As there is always a one-to-one relationship between an NFCEE Protocol and Interface, there is no mapping step required (different as for the RF Communication).

After the Interface has been activated, the DH can communicate with the NFCEE using the activated Interface.

Closing the connection to an NFCEE Interface deactivates that NFCEE Interface.

NCI also includes functionality to allow the DH to enable or disable the communication between an NFCEE and the NFCC.

### 3.2.6 Identifiers

The NFCC might only be used by the DH but also by the NFCEEs in the device (in such a case the NFCC is a shared resource). NFCEEs differ in the way they are connected to the NFCC and the protocol used on such a link determines how an NFCEE can use the NFCC. For example some protocols allow the NFCEE to provide its own configuration for RF parameters to the NFCC (similar to the NCI Configuration Parameters for RF Discovery) in other cases the NFCEE might not provide such information.

NFCCs can have different implementation in how they deal with multiple configurations from DH and NFCEEs. They might for example switch between those configurations so that only one is active at a time or they might attempt to merge the different configurations.

During initialization NCI provides information for the DH whether the configuration it provides is the only one or if the NFCC supports configuration by NFCEEs as well.

NCI includes a module, called Listen Mode Routing, with which the DH can define where to route received data when the device has been activated in Listen Mode. The Listen Mode Routing allows the DH to maintain a routing table on the NFCC. Routing can be done based on the technology or protocol of the incoming traffic or based on application identifiers in case [7816-4] APDU commands are used on top of ISO-DEP.

In case of PN7120 the only route is the DH-NFCEE, therefore no Listen Mode Routing programming supported.

In addition NCI enables the DH to get informed if communication between an NFCEE and a Remote NFC Endpoint occurs.

### 3.3 NCI Packet Format

#### 3.3.1 Common Packet Header

All Packets have a common header, consisting of an MT field and a PBF field:

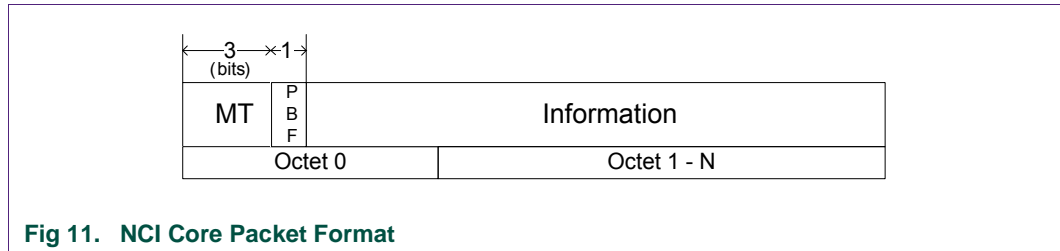


Fig 11. NCI Core Packet Format

- **Message Type (MT)**

The MT field indicates the contents of the Packet and SHALL be a 3 bit field containing one of the values listed in Table 1, below. The content of the Information field is dependent on the value of the MT field. The receiver of an MT designated as RFU SHALL silently discard the packet.

Table 1. MT values

MT	Description
000b	Data Packet
001b	Control Packet - Command Message as a payload
010b	Control Packet - Response Message as a payload
011b	Control Packet – Notification Message as a payload
100b-111b	RFU

- **Packet Boundary Flag (PBF)**

The Packet Boundary Flag (PBF) is used for Segmentation and Reassembly and SHALL be a 1 bit field containing one of the values listed in [NCI] specification.

Table 2. PBF Value

PBF	Description
0b	The Packet contains a complete Message, or the Packet contains the last segment of a segmented Message
1b	The Packet contains a segment of a Message which is not the last segment.

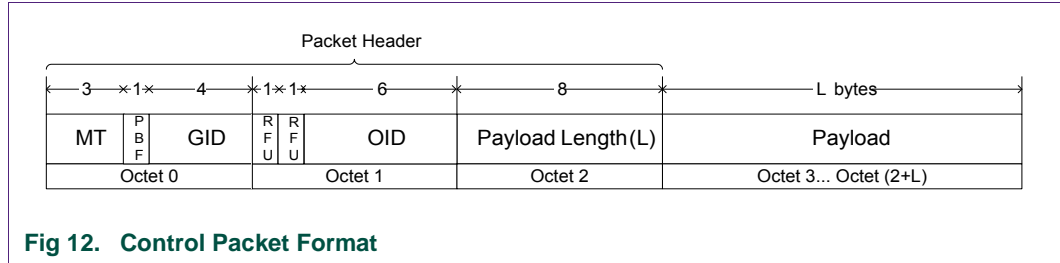
The following rules apply to the PBF flag in Packets:

- If the Packet contains a complete Message, the PBF SHALL be set to 0b.
- If the Packet contains the last segment of a segmented Message, the PBF SHALL be set to 0b.
- If the packet does not contain the last segment of a segmented Message, the PBF SHALL be set to 1b.



### 3.3.2 Control Packets

The Control Packet structure is detailed below.



Each Control Packet SHALL have a 3 octet Packet Header and MAY have additional payload for carrying a Control Message or a segment of Control Message.

NOTE In the case of an 'empty' Control Message, only the Packet Header is sent.

- **Message Type (MT)**

Refer to section 3.3.1 for details of the MT field.

- **Packet Boundary Flag (PBF)**

Refer to section 3.3.1 for details of the PBF field.

- **Group Identifier (GID)**

The NCI supports Commands, Responses and Notifications which are categorized according their individual groups. The Group Identifier (GID) indicates the categorization of the message and SHALL be a 4 bit field containing one of the values listed in [NCI] specification.

All GID values not defined in [NCI] specification are RFU.

- **Opcode Identifier (OID)**

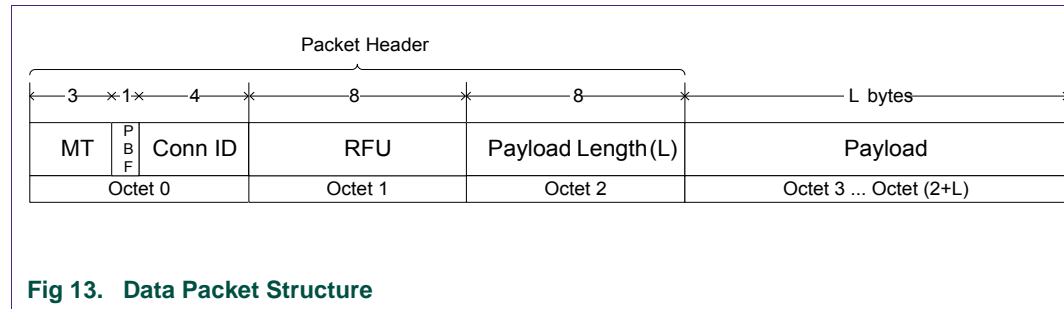
The Opcode Identifier (OID) indicates the identification of the Control Message and SHALL be a 6 bit field which is a unique identification of a set of Command, Response or Notification Messages within the group (GID). OID values are defined along with the definition of the respective Control Messages described in [NCI] specification.

- **Payload Length (L)**

The Payload Length SHALL indicate the number of octets present in the payload. The Payload Length field SHALL be an 8 bit field containing a value from 0 to 255.

### 3.3.3 Data Packets

The Data Packet structure is detailed below.



Each Data Packet SHALL have a 3 octet Packet Header and MAY have additional Payload for carrying a Data Message or a segment of a Data Message.

NOTE: In the case of an 'empty' Data Message, only the Packet Header is sent.

- **Message Type (MT)**

Refer to section 3.3.1 for details of the MT field.

- **Packet Boundary Flag (PBF)**

Refer to section 3.3.1 for details of the PBF field.

- **Connection Identifier (Conn ID)**

The Connection Identifier (Conn ID) SHALL be used to indicate the previously setup Logical Connection to which this data belongs. The Conn ID is a 4 bit field containing a value from 0 to 15.

- **Payload Length (L)**

The Payload Length field indicates the number of Payload octets present. The Payload Length field is an 8 bit field containing a value from 0 to 255.

### 3.3.4 Segmentation and Reassembly

The Segmentation and Reassembly functionality SHALL be supported by both the DH and the NFCC.

Segmentation and Reassembly of Messages SHALL be performed independently for Control Packets and Data Packets of each Logical Connection.

Any NCI Transport Mapping is allowed to define a fixed Maximum Transmission Unit (MTU) size in octets. If such a Mapping is defined and used, then if either DH or NFCC needs to transmit a Message (either Control or Data Message) that would generate a Packet (including Packet Header) larger than the MTU, the Segmentation and Reassembly (SAR) feature SHALL be used on the Message.

**The following rules apply to segmenting Control Messages:**

- For each segment of a Control Message, the header of the Control Packet SHALL contain the same MT, GID and OID values.
- **From DH to NFCC:** the Segmentation and Reassembly feature SHALL be used when sending a Command Message from the DH to the NFCC that would generate a Control Packet with a payload larger than the “Max Control Packet Payload Size” reported by the NFCC at initialization. Each segment of a Command Message except for the last SHALL contain a payload with the length of “Max Control Packet Payload Size”.
- **From NFCC to DH:** when an NFCC sends a Control Message to the DH, regardless of the length, it MAY segment the Control Message into smaller Control Packets if needed for internal optimization purposes.

**The following rules apply to segmenting Data Messages:**

- For each segment of a Data Message, the header of the Data Packet SHALL contain the same MT and Conn ID.
- **From DH to NFCC:** if a Data Message payload size exceeds the Max Data Packet Payload Size, of the connection then the Segmentation and Reassembly feature SHALL be used on the Data Message.
- **From NFCC to DH:** when an NFCC sends a Data Message to the DH, regardless of the payload length it MAY segment the Data Message into smaller Data Packets for any internal reason, for example for transmission buffer optimization.

## 4. DH interface

### 4.1 Introduction

The I<sup>2</sup>C interface of the PN7120 is compliant with the I<sup>2</sup>C Bus Specification V3.0, including device ID and Soft Reset. It is slave-only, i.e. the SCL signal is an input driven by the host.

**!** NCI packets can be as long as 258 Bytes. If the DH I<sup>2</sup>C peripheral has a buffer limitation which is below 258 Bytes, then a fragmentation mechanism SHALL be used at the I<sup>2</sup>C transport layer, as defined in →4.7.

The PN7120 I<sup>2</sup>C interface supports standard (up to 100kbps), fast-Speed mode (up to 400kbps) and High Speed mode (up to 3.4Mbit/s).

I<sup>2</sup>C defines two different modes of addressing (7-bit & 10-bit). The PN7120 only supports the 7-bit addressing mode.

Following names will be used in the document:

**Table 3. I<sup>2</sup>C pins correspondence**

I2C_ADDR0	Equivalent to pin I2C_ADR0 of the PN7120 when using I <sup>2</sup> C.
SDA	Equivalent to pin I2C_SDA_ of the PN7120 when using I <sup>2</sup> C.
SCL	Equivalent to pin I2C_SCL of the PN7120 when using I <sup>2</sup> C.

The PN7120 I<sup>2</sup>C 7-bit address can be configured from 0x28 to 0x2B. The 2 least significant bits of the slave address are electrically forced by pin I2C\_ADR0

So, in binary format, the PN7120 slave 7-bit address is:  
 "0 1 0 1 0 0 I2C\_ADDR0"

**Table 4. PN7120 I<sup>2</sup>C slave address**

Address Value	I2C_ADDR0 Pin
0x28	0
0x29	1

This can be easily configured through direct connection of pin I2C\_ADDR0 to either GND or PVDD at PCB level.

### 4.2 RF Booster

PN7120 comes with a new feature which allows the connection of an external RF Booster to increase the RF Field generated on the Antenna. This RF Booster requires being Enabled/Disabled by the PN7120, therefore the BOOST\_CTRL pin can be changed into a digital output pin used to drive the Enable input pin of the RF Booster.

A configuration parameter is used to activate the control of the RF Booster Enable pin by PN7120 see parameter BOOSTER\_CNTRL\_CFG in →11.2.1. The value of this parameter has to be carefully managed since it may create electrical damages on the I2C\_ADDR1 pin:

- If there is no RF Booster connected to I2C\_ADDR1 and this pin is connected either to GND or PVDD, then **never configure BOOSTER\_CNTRL\_CFG different from value 0x00**, otherwise there would be an electrical conflict between the voltage generated by PN7120 on this pin and the voltage externally forced on it.
- If there is an RF Booster connected to the I2C\_ADDR1, then **never configure BOOSTER\_CNTRL\_CFG equal to value 0x00**, since that would mean 2 input pins connected together and would lead to an undetermined voltage on this pins and would potentially generate parasitic current consumption on PVDD.

If there is an RF Booster connected to the I2C\_ADDR1 pin and the parameter BOOSTER\_CNTRL\_CFG is configured to a value different from 0x00, then the I<sup>2</sup>C Slave address is defined still by pin I2C\_ADDR0 and a bit value which is set in the internal memory of PN7120, during manufacturing. By default, this bit emulates I2C\_ADDR1 = '0'.

### 4.3 NCI Transport Mapping

In the PN7120, there is no additional framing added for I<sup>2</sup>C: an NCI packet (either data or control message, as defined in chapter →3.3) is transmitted over I<sup>2</sup>C “as is”, i.e. without any additional Byte (no header, no CRC etc...).

### 4.4 Write Sequence from the DH

As the I<sup>2</sup>C clock is mastered by the DH, only the DH can initiate an I<sup>2</sup>C exchange.

A DH write sequence always starts with the sending of the PN7120 I<sup>2</sup>C Slave Address followed by the write bit (logical '0': 0b). Then the PN7120 I<sup>2</sup>C interface sends an I<sup>2</sup>C ACK back to the DH for each data byte written by the DH.

It may send an I<sup>2</sup>C NACK (negative acknowledge) when none of the 3 buffers used by the NCI core in the PN7120 is free, which may happen in case PN7120 is in standby mode. If one single byte of a complete NCI frame is NACKed by the PN7120, the DH has to re-send the complete NCI frame and not only this single byte.

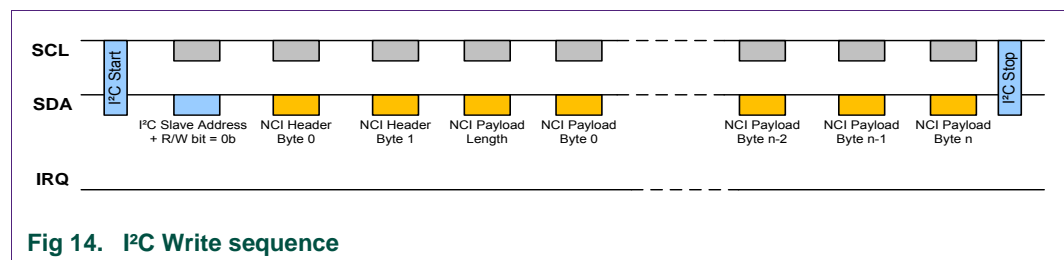


Fig 14. I<sup>2</sup>C Write sequence

**!** It may happen that PN7120 has an NCI Message ready to be sent to the DH while it is receiving another NCI Message from the DH. In such a condition, the IRQ pin will be raised somewhere during the Write Sequence: this is not an error and has to be accepted by the DH: once the Write Sequence is completed, the DH has to start a Read Sequence (see →4.5).

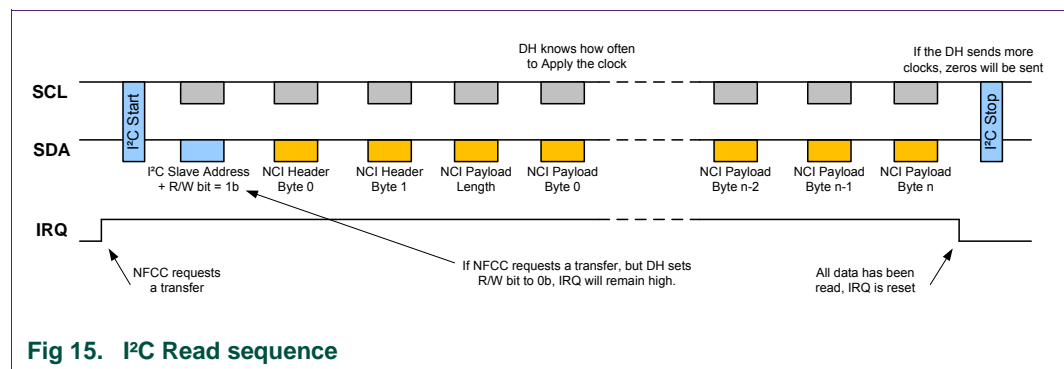
### 4.5 Read Sequence from the DH

The DH shall never initiate a spontaneous I<sup>2</sup>C read request. The DH shall wait until it is triggered by the PN7120. To trigger the DH, the PN7120 generates a logical transition

from Low to High on its IRQ pin (if the IRQ pin is configured to be active High; see configuration chapter →11.1). So after writing any NCI command, the DH shall wait until the PN7120 raises its IRQ pin. The DH can then transmit a Read request to fetch the NCI answer from the PN7120. When the PN7120 needs to send a spontaneous notification to the DH (for instance an RF Interface activation notification), the PN7120 raises the IRQ pin and the DH performs a normal read as described above.

A DH Read Sequence always starts by the sending of the PN7120 I<sup>2</sup>C Slave Address followed by the read bit (logical '1'). Then the DH I<sup>2</sup>C interface sends an ACK back to the PN7120 for each data Byte received.

Figure 2 is an example where the IRQ is raised so the DH can proceed a read.



As indicated on the figure above, in case the PN7120 requests a data transfer by raising the IRQ pin and the DH tries to initiate a write sequence by positioning the write bit to 0b, the PN7120 keeps the IRQ active until the DH starts a read sequence. The DH is not allowed to proceed with a write sequence once the PN7120 has set the IRQ pin to its active value (logical '1' in the figure above).

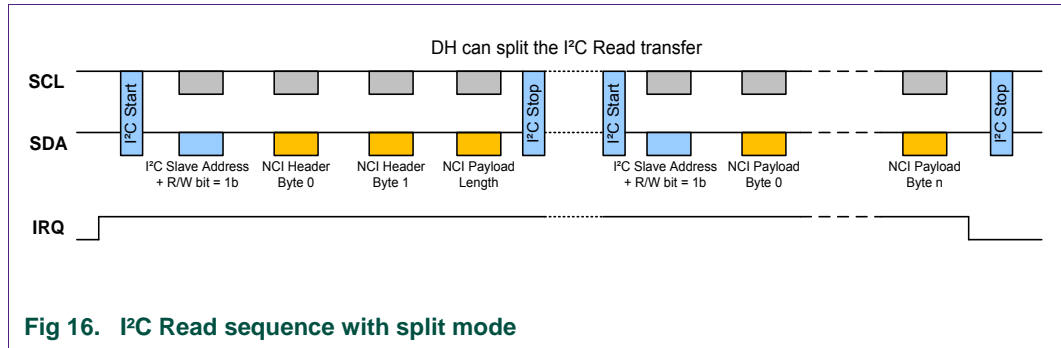
If PN7120 has another message ready to be sent to the DH before the end of the on-going Read Sequence, the IRQ pin will be first deactivated at the end of the on-going Read Sequence and then re-activated to notify to the DH that a new message has to be read.

### 4.6 Split mode

The PN7120 supports the interruption of a frame transfer, as defined in [I<sup>2</sup>C]. This feature is only available in Read Mode; it is forbidden to use it in Write Mode.

This can be useful in a system where the I<sup>2</sup>C bus is shared between several peripherals: it allows the host to stop an on-going exchange, to switch to another peripheral (with a different slave address) and then to resume the communication with the PN7120.

Another typical use-case for the split mode is to have the DH reading first the NCI packet header, to know what the Payload length is. The DH can then allocate a buffer with an appropriate size and read the payload data to fill this buffer. This use-case is represented on the following picture:



### 4.7 Optional transport fragmentation

PN7120 comes with an optional transport fragmentation on I<sup>2</sup>C, which can be enabled/disabled thanks to bit b4 in IRQ\_POLARITY\_CFG (see →11.1).

This fragmentation can only be used from the DH to the PN7120: there is no fragmentation available from the PN7120 to the DH!

This fragmentation is purely implemented at the I<sup>2</sup>C transport layer and does not interfere with NCI segmentation, which remains possible on top.

!

The I<sup>2</sup>C fragmentation implemented on PN7120 requires that the DH waits until it has received a Control Message of type Response in response to a Control Message of type Command before it can send any Data Message.

The DH also has to wait until it has received a Credit Notification to release the credit consumed by a previous Data Message it has sent, before it can send a new Control Message of type Command.

#### 4.7.1 Description of the I<sup>2</sup>C fragmentation:

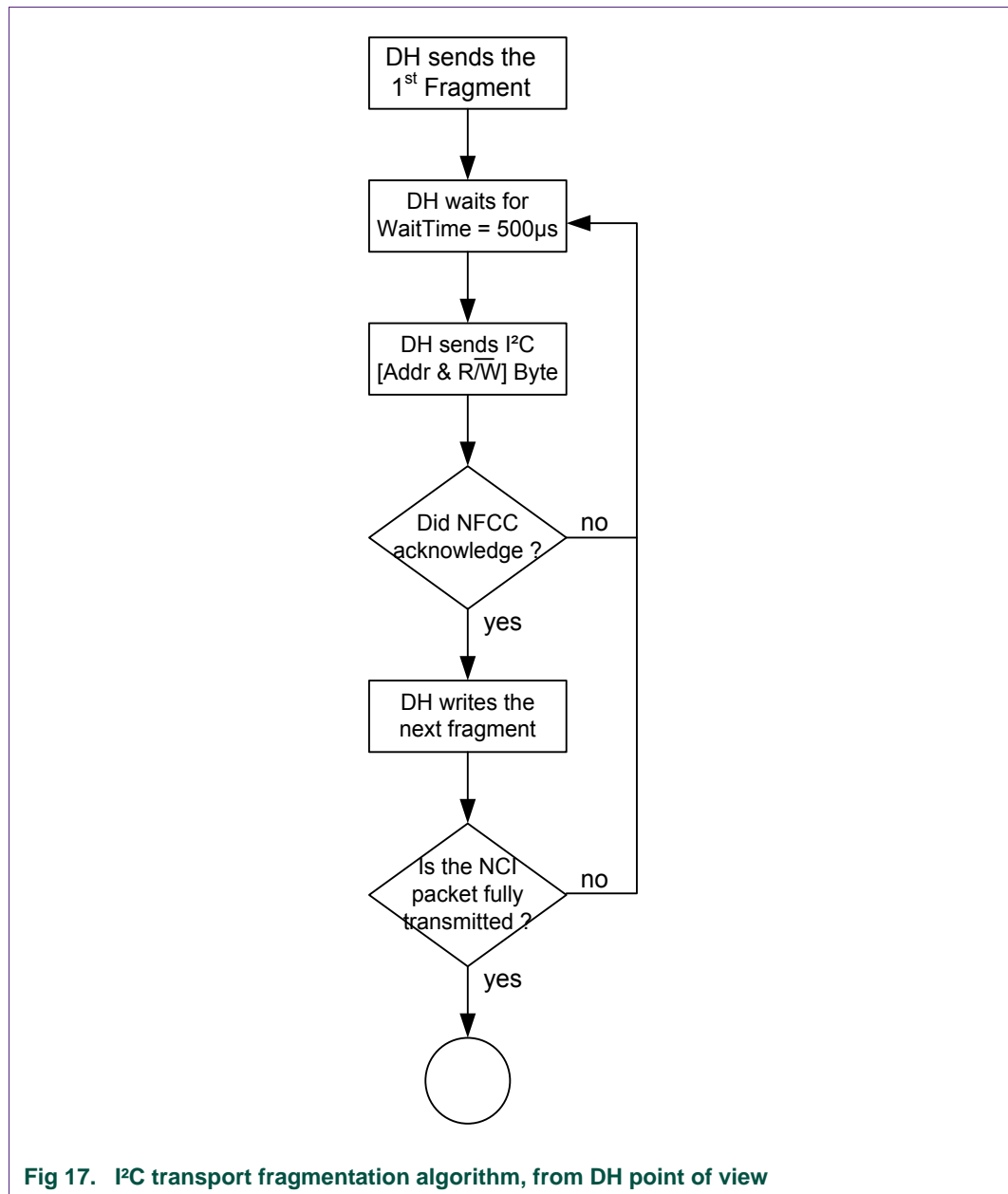
If the DH has limited capabilities to transport Frames of Bytes over I<sup>2</sup>C (so below the maximum frame size of an NCI packet which is equal to 258 Bytes), it SHALL send the NCI packet into several fragments, according to the following rules:

- The fragment size has to be an integer multiple of 4 Bytes (excluding the Slave Address Byte required by the I<sup>2</sup>C protocol).
- The minimum fragment size supported by the DH has to be long enough to transport the following sequence of commands, which is necessary to enable the feature by setting bit b4 in the IRQ\_POLARITY\_CFG parameter (see →11.1):
  - CORE\_RESET\_CMD
  - CORE\_INIT\_CMD
  - NCI\_PROPRIETARY\_ACT\_CMD
  - CORE\_SET\_CONFIG\_CMD
- To implement a flow control mechanism, the DH has to follow the following sequence:
  - 1. The DH sends a first fragment of an NCI data packet.
  - 2. The DH waits for WaitTime = 500µs

- 3. The DH writes the [Address & R/Wn] Byte over the I<sup>2</sup>C bus; it has then to check the I<sup>2</sup>C ACK bit generated by PN7120 :
  - 3a. if the ACK bit is not set, this means that PN7120 is still processing the previous fragment of the NCI packet and it is not yet ready to receive the next fragment. The DH has to wait for an additional WaitTime, moving back to step 2.
  - 3b. if the ACK bit is set, the DH can move to step 4.
- 4. The DH transmits the next Fragment
- 5. If the whole NCI packet has not yet been transmitted, the DH proceeds to step 2 with another fragment. If the whole NCI packet has been transmitted, the sequence is stopped.

The next figure shows this sequence:

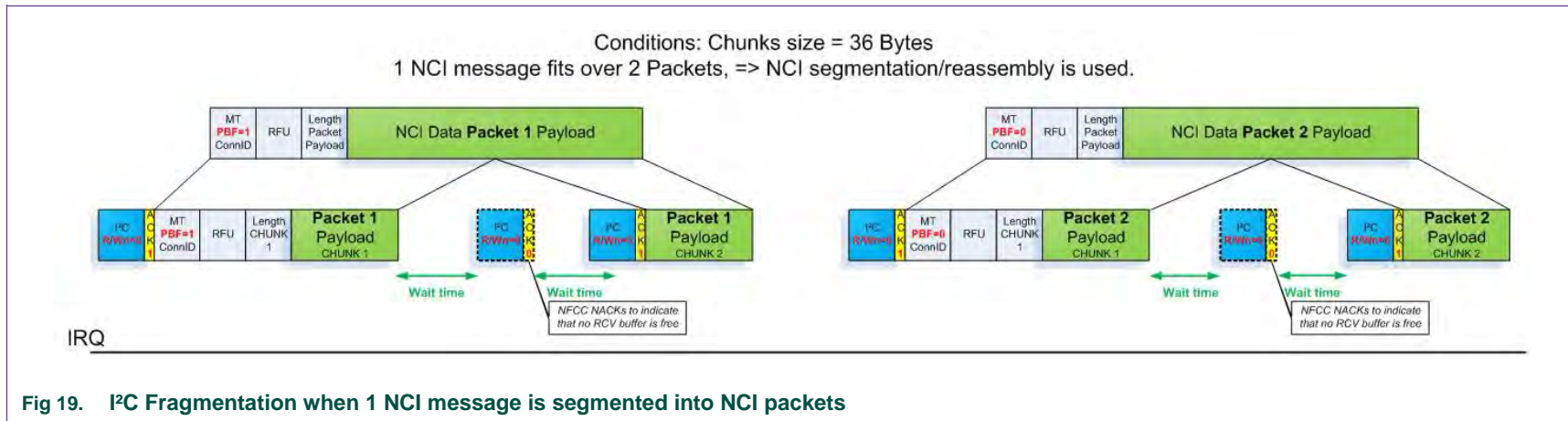
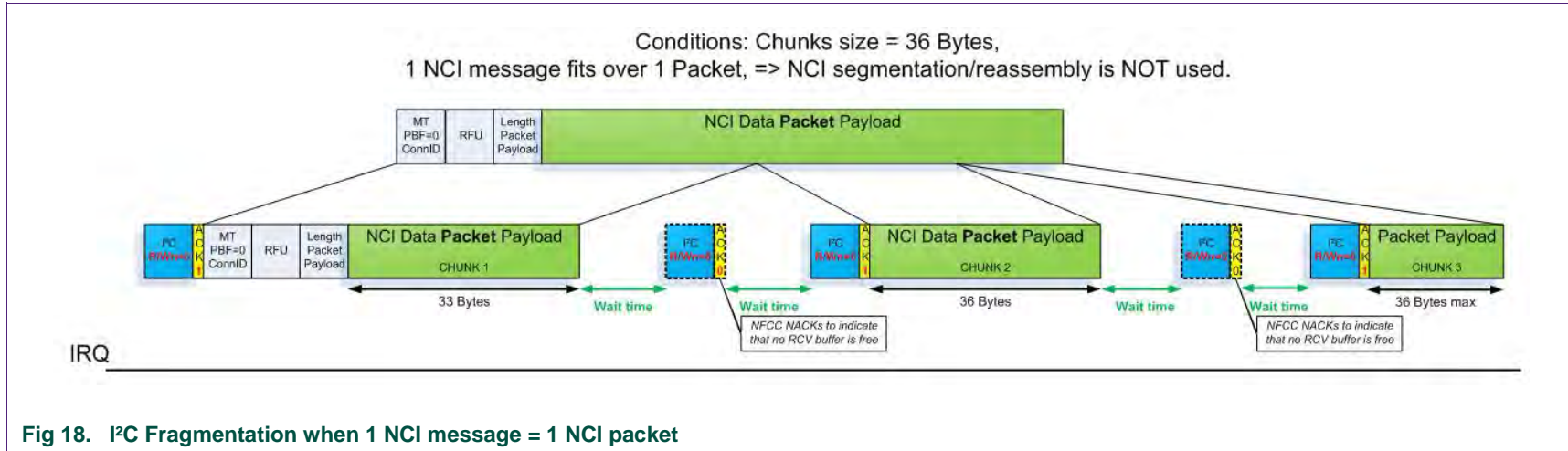




**4.7.2 Illustration of the I<sup>2</sup>C fragmentation:**

The 2 next figures illustrate a transfer of an NCI message implying I<sup>2</sup>C fragmentation, with a fragment size of 36 Bytes maximum, when:

- The NCI message fits over a single NCI packet
- The NCI message fits over multiple NCI packets (NCI segmentation is used on top of I<sup>2</sup>C fragmentation)



## 5. Compliance to [NCI] and PN7120 extensions

The PN7120 is a complex contactless System on Chip, which offers a lot of features. Unfortunately, [NCI] as defined by the NFC FORUM does not give full access to all these features. Therefore, NXP had to extend [NCI] with proprietary extensions, and the PN7120 DH interface which includes [NCI] plus the PN7120 extensions is referenced in the present document as [PN7120-NCI].

### 5.1 Feature-based comparison of [NCI] and [PN7120-NCI]

The table below represents the features overview of the PN7120. It highlights the main differences between the NCI standard ([NCI]) and [PN7120-NCI]. The Chapter column contains shortcuts to the section in the document where the feature is described in details.

**Table 5. Features overview**

Chapter	Features	[NCI]	[PN7120-NCI]
→10	RF Discovery activity (NFC FORUM, EMVCo)	✓	✓
→7	Reader/Writer ISO-DEP for NFC-A & NFC-B, T1T, T2T, T3T, T4T	✓	✓
→7	Reader/Writer MIFARE Classic, MIFARE Plus, ISO15693, Kovio	✗	✓
→8	Card Emulation ISO-DEP for NFC-A & NFC-B	✓	✓
→9.1	P2P passive (Initiator & Target)	✓	✓
→9.2	P2P active (Initiator & Target)	✗	✓
→5.2.5	RF bit rates for Listen mode & Poll mode: 106kbps (NFC-A & NFC-B), 212kbps (NFC-F), 424kbps (NFC-F)	✓	✓
→5.2.5	RF bit rates for Listen mode & Poll mode in techno NFC-A & NFC-B: 212kbps, 424kbps & 848kbps	✗	✓
→11	Configuration: Power management, RF Settings, Clocking schemes	✗	✓
→7.1.3.3	Others: Presence check	✗	✓

✓ Partially Covered   ✓ Covered   ✗ Not Covered

### 5.2 [NCI] Implementation in the PN7120

[NCI] defines several features which are optional or configurable. For instance, data exchange can use an optional flow control, for which the number of credits is defined by the NFCC.

So the intent of this section is to describe those features in [NCI] which are optional or configured by the NFCC, to highlight how they are implemented in the PN7120.

#### 5.2.1 Logical connections & credits

Here is a simplified overview of an NFC Device as defined in the NFC FORUM:

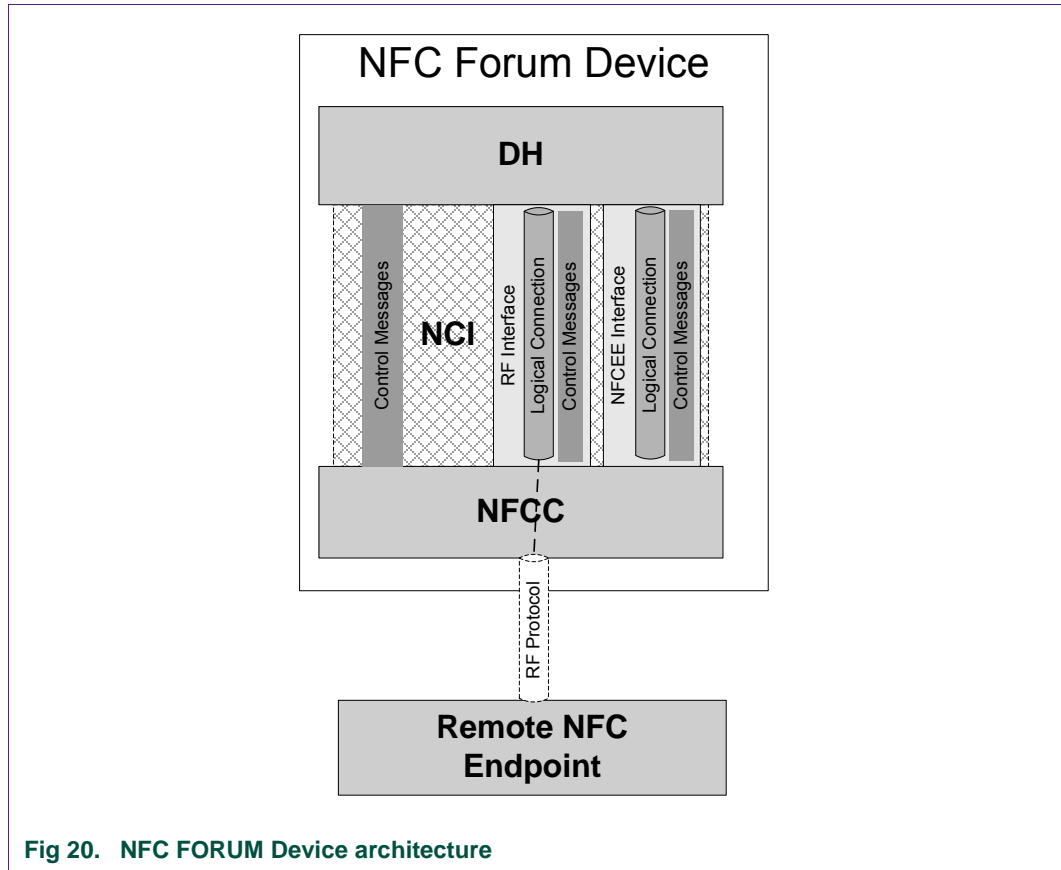


Fig 20. NFC FORUM Device architecture

Logical connections are used to transport data between the DH and the NFCC. Although optional in [NCI], [PN7120-NCI] implements data flow control based on credits management. In order to minimize the required buffer/memory size, the **number of credits is limited to 1** on each logical connection.

The “Max Logical Connections” parameter reported in **CORE\_INIT\_RSP** equals **0x01** for [PN7120-NCI]. That means that when the DH needs to create a new logical connection, it has first to close the currently opened one, if any.

Here is an overview of the logical connections & credits available in the PN7120:

Table 6. Logical Connections/Credits configuration

Logical connection	Number of connections	Number of credits	Max. Data Packet payload Size
Static RF connection	1	1	[32;255]

### 5.2.2 Compliance to [NCI] control messages

Here is a detailed status, for the current version PN7120:

Table 7. Status on the compliance to [NCI] control messages

Group	Control messages	Status
CORE	CORE_RESET_CMD / RSP / NTF	Partial Support <sup>1</sup>
	CORE_INIT_CMD / RSP <sup>4-5</sup>	Full Support

Group	Control messages	Status
	CORE_SET_CONFIG_CMD / RSP	Full Support
	CORE_GET_CONFIG_CMD / RSP	Full Support
	CORE_CONN_CREATE_CMD / RSP	Partial Support <sup>2</sup>
	CORE_CONN_CLOSE_CMD / RSP	Full Support
	CORE_CONN_CREDITS_NTF	Full Support
	CORE_GENERIC_ERROR_NTF	Full Support
	CORE_INTERFACE_ERROR_NTF	Full Support
	RF_DISCOVER_MAP_CMD / RSP	Full Support
	RF_SET_LISTEN_MODE_ROUTING_CMD / RSP	Not supported
	RF_GET_LISTEN_MODE_ROUTING_CMD / RSP / NTF	Not supported
	RF_DISCOVER_CMD / RSP / NTF	Partial Support <sup>3</sup>
	RF_DISCOVER_SELECT_CMD / RSP	Full Support
RF	RF_INTF_ACTIVATED_NTF	Full Support
	RF_DEACTIVATE_CMD / RSP / NTF	Full Support
	RF_FIELD_INFO_NTF	Full Support
	RF_T3T_POLLING_CMD / RSP / NTF	Full Support
	RF_NFCEE_ACTION_NTF	Full Support
	RF_NFCEE_DISCOVERY_REQ_NTF	Full Support
	RF_PARAMETER_UPDATE_CMD / RSP	Full Support
NFCEE	NFCEE_DISCOVER_CMD / RSP / NTF	Full Support
	NFCEE_MODE_SET_CMD / RSP	Full Support

<sup>1</sup> CORE\_RESET\_NTF has sometimes an additional field, not compliant to [NCI]. See 6.1.

<sup>2</sup> The number of Destination Specific parameters is limited to 1.

<sup>3</sup> The Discovery Frequency parameter in RF\_DISCOVER\_CMD has no effect in PN7120; whatever the value written by the DH in this parameter, PN7120 will behave as if it is set to 0x01.

<sup>4</sup> PN7120 wrongly declares in the "NFCC features" field of CORE\_INIT\_RSP that it supports the Discovery Frequency Configuration, although it does not.

<sup>5</sup> PN7120 declares in the "RF Interfaces" field of CORE\_INIT\_RSP 0x81 and 0x82, which are RFU values.



PN7120 comes with a Maximum Control Packet Payload Size of 255 Bytes, as reported in the CORE\_INIT\_RSP. Since [NCI] defines that the maximum size of a Control Message is also 255 Bytes and that the DH has to completely fill a Control Packet when sending a long Control Message, Segmentation and Reassembly cannot be used by the DH with PN7120.

### 5.2.3 Compliance to [NCI] RF Interfaces

Here is a drawing of the RF interfaces available in [NCI] and planned for "NCI Next Gen":

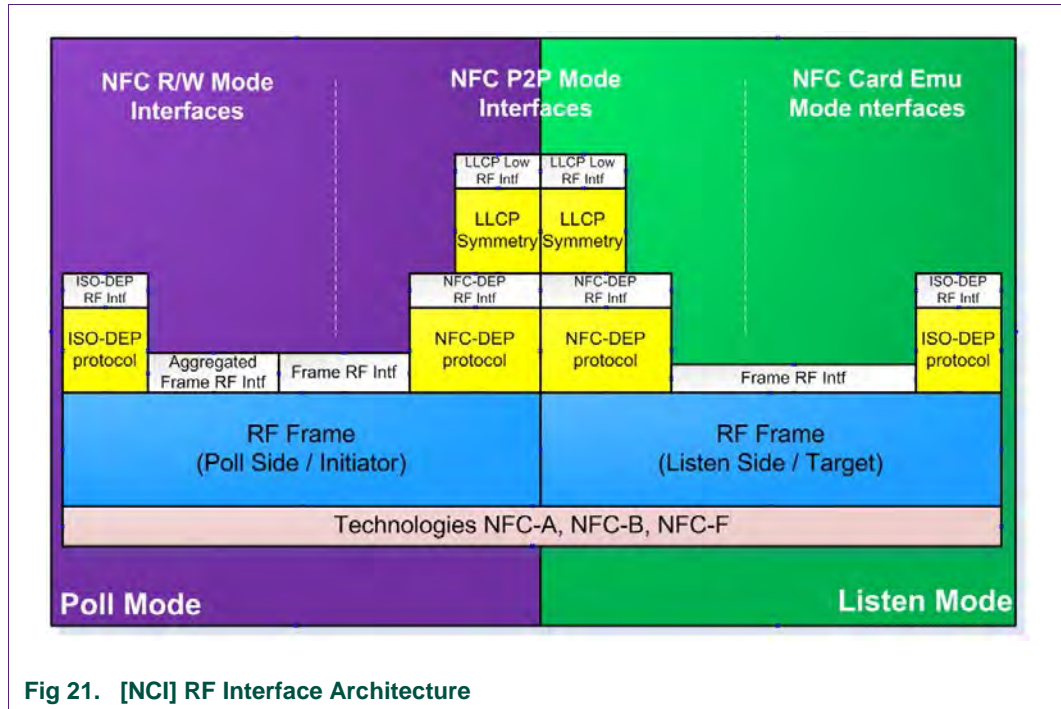


Fig 21. [NCI] RF Interface Architecture

This section details the status on the different RF interfaces supported by the PN7120.

Table 8. NCI Interface limitations

RF Interface present in [NCI]	Status
Poll side Aggregated Frame RF interface	No Support
Poll side & Listen side Frame RF interface	Partial Support <sup>1</sup>
Poll side & Listen side ISO-DEP interface	Full support
Poll side & Listen side NFC-DEP interface	Full support

<sup>1</sup> Frame RF Interface is not supported for P2P Passive & Active modes.

### 5.2.4 Compliance to [NCI] RF Discovery

[NCI] relies on the [ACTIVITY] specification defined by the NFC FORUM.

Since the P2P ACTIVE is not yet included in [ACTIVITY], the corresponding configuration parameters are mentioned as “RFU” in [NCI]. Since the PN7120 supports the P2P ACTIVE mode for both Initiator and Target roles, these parameters are actually used in [PN7120-NCI]

### 5.2.5 Compliance to [NCI] configuration parameters

[NCI] defines a set of configuration parameters, in [NCI\_Table8] (see chapter →17). Most of them are supported by PN7120; however, a subset of these parameters is not supported.

Here is a status for all these parameters, together with their default value in PN7120:

Table 9. Compliance to [NCI] configuration parameters

Config parameters	Status	Coming from	Default value	Behavior if partial/no support
TOTAL_DURATION	Partial Support	[NCI]	0x03E8 (1s)	Even if set for more, the total duration is limited to 2.57s
CON_DEVICE_LIMIT	No Support	[ACTIVITY]	0x03	The PN7120 is using hard-coded values whatever the CON_DEVICE_LIMIT value is: <ul style="list-style-type: none"> <li>- NFC-A: 3</li> <li>- NFC-B: 1</li> <li>- NFC-F: 2</li> <li>- ISO15693: 2</li> <li>- KOVIO: 1</li> </ul>
PA_BAIL_OUT	No Support	[ACTIVITY]	-	Bail Out is always activated in Poll/NFC-A
PB_AFI	Full support	[DIGITAL]	0x00	
PB_BAIL_OUT	No Support	[ACTIVITY]	-	Bail Out is always activated in Poll/NFC-B
PB_ATTRIB_PARAM1	Full support	[DIGITAL]	0x00	
PB_SENBSB_REQ_PARAM	No Support	[DIGITAL]	-	No support of advanced features in NFC-B, no support of the extended SENBSB_RES.
PF_BIT_RATE	Full support	[DIGITAL]	0x01 (212kbps)	
PF_RC_CODE	Full support	[DIGITAL]	0x00	!! the NCI mechanism to force the parameter to come back to its default value (CORE_SET_CONFIG with empty value) does not work for PF_RC_CODE!!
PB_H_INFO	Full support	[DIGITAL]	empty	
PI_BIT_RATE	Full support	[DIGITAL]	0x00 (106kbps)	
PA_ADV_FEAT	No Support	[DIGITAL]	-	No support of advanced features in NFC-A
PN_NFC_DEP_SPEED	Full support	[DIGITAL]	0x00 (106kbps)	
PN_ATR_REQ_GEN_BY_TES	Full support	[DIGITAL]	empty	
PN_ATR_REQ_CONFIG	Full support	[DIGITAL]	0x30	
LA_BIT_FRAME_SDD	Full support	[DIGITAL]	0x01	
LA_PLATFORM_CONFIG	Full support	[DIGITAL]	0x00	
LA_SEL_INFO	Full support	[DIGITAL]	0x00	Warning! This value has to be changed to emulate a card in DH with ISO-DEP/NFC-A
LA_NFCID1	Full support	[DIGITAL]	0x08000000	
LB_SENBSB_INFO	Full support	[DIGITAL]	0x81	
LB_NFCID0	Full support	[DIGITAL]	0x08000000	
LB_APPLICATION_DATA	Full support	[DIGITAL]	Empty	
LB_SFGI	Full support	[DIGITAL]	0x00	
LB_ADC_FO	Full support	[DIGITAL]	0x04	DID (CID) not supported by default
LF_T3T_IDENTIFIERS_1..16	No Support	[DIGITAL]	-	No T3T card emulation in DH supported
LF_PROTOCOL_TYP	No Support	[DIGITAL]	-	Always NFC-DEP
LF_T3T_PMM	No Support	[DIGITAL]	-	No T3T card emulation in DH supported



Config parameters	Status	Coming from	Default value	Behavior if partial/no support
LF_T3T_MAX	Full support	[NCI]	0x00	Value reported is always 0 (no T3T emulation in DH with PN7120)
LF_T3T_FLAGS	No Support	[NCI]	-	No T3T card emulation in DH supported
LF_CON_BITR_F	No Support	[DIGITAL]	-	Always both 212 & 424 kbps
LF_ADV_FEAT	No Support	[DIGITAL]	-	No advanced features supported in NFC-F
LI_FWI	Full support	[DIGITAL]	0x04	
LA_HIST_BY	Full support	[DIGITAL]	empty	
LB_H_INFO_RESP	No Support	[DIGITAL]	-	Consequence: the "Higher Layer Response" field in the ATTRIB Response is left empty
LI_BIT_RATE	Full support	[DIGITAL]	0x00 (106kbps)	
LN_WT	Full support	[DIGITAL]	0x08	
LN_ATR_RES_GEN_BYTES	Full support	[DIGITAL]	Empty	
LN_ATR_RES_CONFIG	Full support	[DIGITAL]	0x30	
RF_FIELD_INFO	Full support	[NCI]	0x00	
RF_NFCEE_ACTION	Full support	[NCI]	0x01	
NFCDEP_OP	Full support	[NCI]	0x0E	

## 5.2.6 Compliance to [NCI] data messages

PN7120 is fully compliant to the [NCI] data messages.

## 5.3 Extensions added to [NCI] to allow full control of the PN7120

The [PN7120-NCI] Extensions section gives a quick overview of the numerous extensions required to [NCI] to give full access to all the features available in the PN7120.

### 5.3.1 [PN7120-NCI] extensions to [NCI] RF Protocols

PN7120 supports much more protocols than handled today by [NCI].

It is required to extend the [NCI\_Table5] defined in [NCI] (see chapter →17) such that these protocols can be configured in various commands/notifications:

**Table 10. Proprietary RF protocols**

Chapter	Value	Description
→7.1.4	0x06	PROTOCOL_15693
→7.1.1	0x80	PROTOCOL_MIFARE_CLASSIC
	0x81-0x89	Reserved for Proprietary protocols
→7.1.5	0x8A	PROTOCOL_KOVIO
	0x8B-0x9F	Reserved for Proprietary protocols
	0xA1-0xFD	Reserved for Proprietary protocols



### 5.3.2 [PN7120-NCI] extensions to [NCI] Bit Rates in ISO15693 and NFC-F

PN7120 supports the Poll Mode for technology ISO15693. Unfortunately, [NCI] does not define an appropriate bit rate (26kbps) the NFCC has to report to the DH in the RF\_INTF\_ACTIVATED\_NTF. NXP has defined a proprietary value for this bit rate.

PN7120 offers the possibility to poll for NFC-F @ 212 kbps and NFC-F @ 424 kbps. unfortunately, [NCI] only allows configuring one of these 2 bit rates, but not both in the same discovery sequence. The [NCI] parameter used to configure the bit rate in NFC-F is PF\_BIT\_RATE; the values which can be applied to this parameter are defined in the [NCI\_Table4] (see chapter →17).

It is therefore required to extend this table such that the PN7120 is configured to poll during one discovery sequence for NFC-F @ 212 kbps and NFC-F @ 424 kbps. The proprietary value 0x80 is used for that purpose, and has to be restricted to technology NFC-F:

**Table 11. Proprietary Bit rates**

Chapter	Value	Description
→7.1.4	0x80	NFC_BIT_RATE_26

### 5.3.3 [PN7120-NCI] extensions to [NCI] RF Interfaces

PN7120 offers some features which are not accessible using the currently defined RF interfaces in [NCI]. So the [NCI\_Table6] (see chapter →17) needs to be extended with some proprietary RF interfaces, as described in the table below:

**Table 12. RF Interfaces extension**

Chapter	New RF Interface	Value	Brief description
→7.1.1.2	TAG-CMD	0x80	This new interface adds a header to the data payload, in order to encode commands such as: _ T2T/MFUL sector select command _ MIFARE Classic Authenticate command
-	RFU	0x81	Reserved for proprietary RF Interfaces (Reported for debug purpose)
-	RFU	0x82	Reserved for proprietary RF Interfaces (Reported for debug purpose)
		0x83-0xFE	Reserved for proprietary RF Interfaces

### 5.3.4 [PN7120-NCI] extensions to [NCI] Control messages

This section contains all the additional commands/notifications in [PN7120-NCI].

**Table 13. PN7120-NCI additional commands/notifications**

Chapter	PN7120-NCI Control message	Brief description	Support on PN7120
→6.3.1	NCI_PROPRIETARY_ACT_CMD/RSP	Command used by the DH to activate the proprietary functions inside the NFCC	Full Support
→7.1.3.3	RF_PRES-CHECK_CMD/RSP/NTF	Command used to check if a T4T or an ISO-DEP tag is still in the field.	Full Support
→11.3	RF_GET_TRANSITION_CMD/RSP	To read out an RF register setting for a given RF Transition	Full Support
→ <b>Error! Reference source not found.</b>	SET_SCREEN_STATE_CMD/RSP	To disable the Listen Modes routed to the DH (for Display Off/Display On implementation)	Full Support

Chapter	PN7120-NCI Control message	Brief description	Support on PN7120
→10.6.1	CORE_SET_POWER_MODE_CMD/RSP	Command allowing the DH to configure the power mode (standby or idle mode).	Full Support
→10.4.3	RF_TAG_DETECTOR_TRACE_NTF	Notification to collect the measurements performed by the Tag Detector	Full Support
→0	TEST_PRBS_CMD/RSP	Command allowing the DH to send data over RF at different baud rates in order to verify the contactless part without any interaction with the NCI RF Discovery.	Full Support

[NCI] defines some rules which constraint the use of the control messages. That means that depending on the state the NCI RF State Machine is in, depending on the RF Interface used, depending on some parameters, the control messages are valid or incorrect, and sometimes they trigger state transitions.

NXP has extended these rules for the [PN7120-NCI] extensions.

The following table gives a picture of these rules:

CURRENT STATE																
Source	Control Message	parameter / RF Interface	RFST_IDLE		RFST_DISCOVERY		RFST_W4_ALL_DISC.		RFST_W4_HOST_SELECT		RFST_POLL_ACTIVE		RFST_LISTEN_ACTIVE		RFST_LISTEN_SLEEP	
			Next state	Response STATUS	Next state	Response STATUS	Next state	Response STATUS	Next state	Response STATUS	Next state	Response STATUS	Next state	Response STATUS	Next state	Response STATUS
NCI 1.0	CORE_RESET_CMD/RSP			Status OK	IDLE	Status OK	IDLE	Status OK	IDLE	Status OK	IDLE	Status OK	IDLE	Status OK	IDLE	Status OK
NCI 1.0	CORE_INIT_CMD/RSP			SEMANTIC		SEMANTIC		SEMANTIC		SEMANTIC		SEMANTIC		SEMANTIC		SEMANTIC
NCI 1.0	CORE_SET_CONFIG_CMD/RSP	parameters impacting the RF discovery other parameters		Status OK		SEMANTIC		SEMANTIC		SEMANTIC		SEMANTIC		SEMANTIC		SEMANTIC
				Status OK		SEMANTIC		SEMANTIC		SEMANTIC		SEMANTIC		SEMANTIC		SEMANTIC
NCI 1.0	CORE_GET_CONFIG_CMD/RSP	parameters impacting the RF discovery other parameters		Status OK		Status OK		Status OK		Status OK		Status OK		Status OK		Status OK
NCI 1.0	CORE_CONN_CREATE_CMD/RSP			Status OK		Status OK		Status OK		Status OK		Status OK		Status OK		Status OK
NCI 1.0	CORE_CONN_CLOSE_CMD/RSP			Status OK		Status OK		Status OK		Status OK		Status OK		Status OK		Status OK
NCI 1.0	RF_DISCOVER_MAP_CMD/RSP			Status OK		SEMANTIC		SEMANTIC		SEMANTIC		SEMANTIC		SEMANTIC		SEMANTIC
NCI 1.0	RF_SET_LISTEN_MODE_ROUTING_CMD/RSP			Status OK		SEMANTIC		SEMANTIC		SEMANTIC		SEMANTIC		SEMANTIC		SEMANTIC
NCI 1.0	RF_GET_LISTEN_MODE_ROUTING_CMD/RSP			Status OK		Status OK		SEMANTIC		Status OK		Status OK		Status OK		Status OK
NCI 1.0	RF_DISCOVER_CMD/RSP		DISCOVERY	Status OK		Status OK		SEMANTIC		Status OK		Status OK		Status OK		Status OK
NCI 1.0	RF_DISCOVER_SELECT_CMD/RSP			SEMANTIC		SEMANTIC		SEMANTIC		Status OK		SEMANTIC		SEMANTIC		SEMANTIC
NCI 1.0	RF_DEACTIVATE_CMD/RSP/NTF* *:in states POLL_ACTIVE & LISTEN_ACTIVE	Idle_Mode		SEMANTIC	IDLE	Status OK	IDLE	Status OK	IDLE	Status OK	IDLE	Status OK	IDLE	Status OK	IDLE	Status OK
		Sleep_Mode		SEMANTIC	IDLE	Status OK	IDLE	Status OK		REJECTED	W4_HOST_SELECT	Status OK		REJECTED		REJECTED
		SleepAF_Mode		SEMANTIC	IDLE	Status OK	IDLE	Status OK		REJECTED	W4_HOST_SELECT	Status OK		REJECTED		REJECTED
		Discovery		SEMANTIC	IDLE	Status OK	IDLE	Status OK		REJECTED	DISCOVERY	Status OK		REJECTED		REJECTED
NCI 1.0	RF_T3T_POLLING_CMD/RSP	Frame RF interface other RF interface		SEMANTIC		SEMANTIC		SEMANTIC		SEMANTIC		SEMANTIC		SEMANTIC		SEMANTIC
NCI 1.0	RF_PARAMETER_UPDATE_CMD/RSP	Frame RF interface other RF interface		SEMANTIC		SEMANTIC		SEMANTIC		SEMANTIC		Status OK		Status OK		SEMANTIC
NCI 1.0	NFCEE_DISCOVER_CMD/RSP			Status OK		Status OK		Status OK		Status OK		Status OK		Status OK		Status OK
NCI 1.0	NFCEE_MODE_SET_CMD/RSP			Status OK		Status OK		Status OK		Status OK		Status OK		Status OK		Status OK
NXP	SYSTEM_SET_POWER_MODE_CMD/RSP			Status OK		SEMANTIC		SEMANTIC		SEMANTIC		SEMANTIC		SEMANTIC		SEMANTIC
NXP	SYSTEM_PROPRIETARY_ACT_CMD/RSP			Status OK		SEMANTIC		SEMANTIC		SEMANTIC		SEMANTIC		SEMANTIC		SEMANTIC
NXP	SYSTEM_PRES_CHECK_CMD/RSP			Status OK		SEMANTIC		SEMANTIC		SEMANTIC		Status OK		SEMANTIC		SEMANTIC
NXP	SYSTEM_GET_RF_TRANSITION_CMD/RSP			Status OK		SEMANTIC		SEMANTIC		SEMANTIC		SEMANTIC		SEMANTIC		SEMANTIC
NXP	SYSTEM_SET_SCREENSTATE_CMD/RSP			Status OK		SEMANTIC		SEMANTIC		SEMANTIC		SEMANTIC		SEMANTIC		SEMANTIC
NXP	TEST_PRBS_CMD/RSP			Status OK		SEMANTIC		SEMANTIC		SEMANTIC		SEMANTIC		SEMANTIC		SEMANTIC
NXP	TEST_ANTENNA_CMD/RSP			Status OK		SEMANTIC		SEMANTIC		SEMANTIC		SEMANTIC		SEMANTIC		SEMANTIC
NXP	TEST_SWP_CMD/RSP			Status OK		SEMANTIC		SEMANTIC		SEMANTIC		SEMANTIC		SEMANTIC		SEMANTIC

Fig 22. CMDs/RSPs versus the current state of the NCI RF State Machine

PN7120 defines additional states to the RF state machine defined in [NCI\_Chap2], to ensure a correct implementation of the “atomic behavior” of the pair of commands made by CORE\_RESET\_CMD & CORE\_INIT\_CMD and also to correctly handle wrong RF protocol to RF interface mapping through the RF\_DISCOVER\_MAP\_CMD. The drawing below illustrates these additional states, linked to the [NCI]-defined RFST\_IDLE:

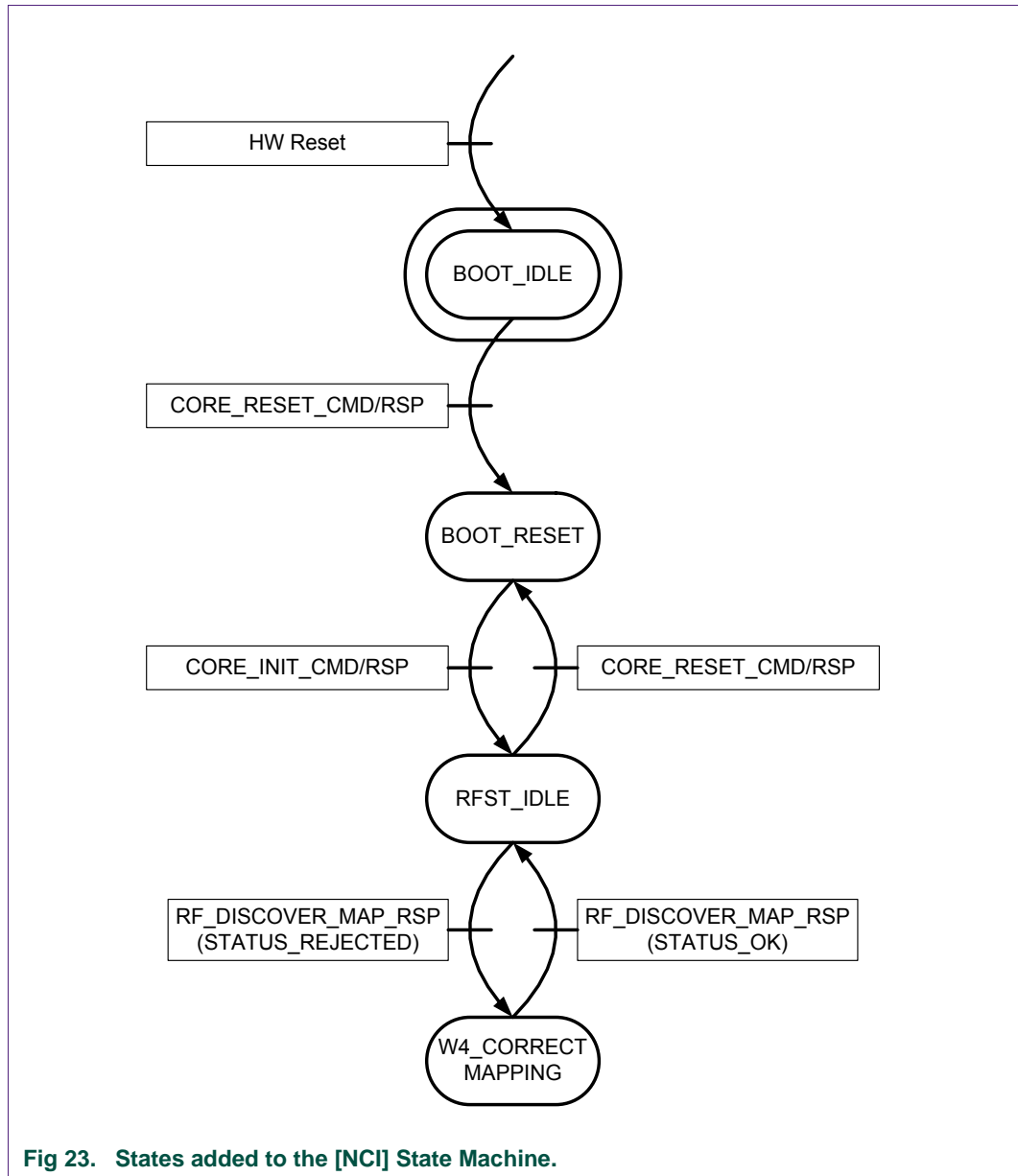


Fig 23. States added to the [NCI] State Machine.

5.3.5 [PN7120-NCI] extensions to [NCI] Configuration parameters

[NCI] lists a number of parameters, which are necessary to set up the RF discovery. But the PN7120 requires a lot more parameters, for instance to configure some RF protocols which are not supported by [NCI], to configure the power & clock management etc...

Here is a list of sets of parameters, sorted out by features to configure:

**Table 14. Overview of additional Configuration parameters**

Chapter	Feature to configure	Comment
→11.1	System	Parameters allowing the DH to configure the System: Clock management, IRQ and CLOCKREQ pins management, MIFARE Classic Keys handling...
→11.2	RF Discovery	Parameters allowing the DH to configure the Discovery activity (Tag Detector, Discovery profile between: NFC FORUM, NFC FORUM+ and EMVCo etc...).
→11.3	Contactless Front-End	Parameters allowing the DH to configure all internal HW settings in the Contactless InterFace (CIF).

Please refer to the chapters listed in the first column to have all the detailed information on the parameters.

### 5.3.6 [PN7120-NCI] extensions to [NCI] proprietary parameters space

[NCI] defines a parameter space with a size of 255 parameters, in which around 100 tags are allocated for proprietary parameters:

**Table 15. Parameter space**

Parameters space sub-sections	Tag
Assigned & reserved for NCI 1.0	0x00-0x9F
Reserved for Proprietary Use	0xA0-0xFE
RFU (Reserved for Extension)	0xFF

Regarding the PN7120 needs, this reserved area is not sufficient. To extend this space, the solution chosen is to define a space of Tags coded on 16 bits, instead of 8 bits. These extended Tags will always start by the value 0xA0, which is the first value available in the Proprietary range. This allows adding 256 new parameters.

Remark: If this is not sufficient in the future, we might use 16-bit tag values starting by 0xA1, 0xA2 etc...

**Table 16. Extended TLV for proprietary parameters**

Payload	Field	Length	Description
m+3 Octets	Tag = 0xA0XX	2 Octet	Extended tag identifier.
	Len	1 Octet	The length of Val (m).
	Val	m Octets	Value of the configuration parameter.

This is illustrated by the following picture:

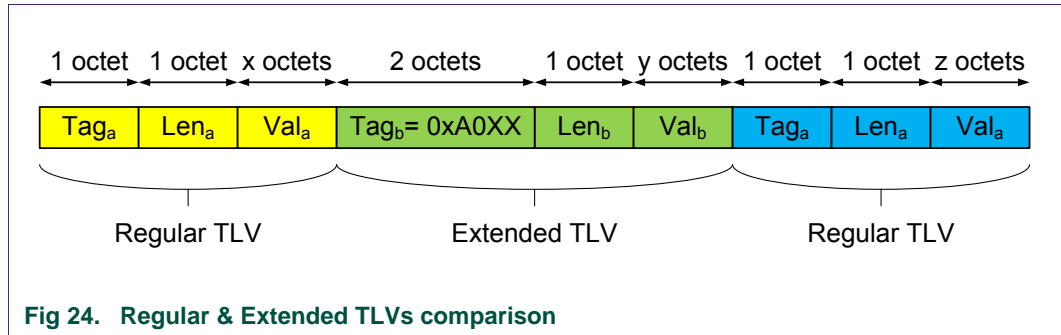


Fig 24. Regular & Extended TLVs comparison

### 5.3.7 [PN7120-NCI] extensions to [NCI] Status Codes

[NCI] defines a set of standard Status Codes in [NCI\_Table1] (see chapter →17).

NXP has extended this set of status codes with the following values:

Table 17. Proprietary Status Codes

Status code	Description	Used in
0xE0	STATUS_DO_NOT_REPLY	CORE_GENERIC_ERROR_NTF
0xE1	STATUS_BOOT_TRIM_CORRUPTED	CORE_GENERIC_ERROR_NTF
0xE2	STATUS_PMU_DCDC_OVERLOAD	CORE_GENERIC_ERROR_NTF
0xE3	STATUS_PMU_TXLDO_OVERCURRENT	CORE_GENERIC_ERROR_NTF
0xE4	STATUS_EMVCO_PCD_COLLISION	CORE_GENERIC_ERROR_NTF

### 5.3.8 [PN7120-NCI] extensions to [NCI] Reason Code in CORE\_RESET\_NTF

[NCI] defines a set of standard Reason Codes in the CORE\_RESET\_NTF. Please refer to [NCI\_Table9] (see chapter →17).

NXP has extended this set of reason codes with the following value:

Table 18. Proprietary Reason Codes in CORE\_RESET\_NTF

Reason Code	Description
0xA0	An assert has triggered PN7120 reset/reboot
0xA1	An over temperature has triggered the reset of PN7120
0xA2	The current limiter has been triggered on the SVDD supply
0xA3	ARM sub-system reset / Watchdog reset has occurred

**!** When the 0xA0 Reason Code is used, the CORE\_RESET\_NTF is out of [NCI] compliance.

Indeed, PN7120 appends one parameter at the end of the CORE\_RESET\_NTF, to provide some information for debug purposes. The CORE\_RESET\_NTF format is then:

Table 19. CORE\_RESET\_NTF when reason code = 0xA0 is used

Payload Field(s)	Length	Description	Default
Reason Code	1 Octet	0xA0: NXP proprietary	0xA0
Config. Status	1 Octet	See [NCI]	

Payload Field(s)	Length	Description	Default
dwAssertionProgramCounter	4 Octets	Program counter for assertion	

Here are the known address for assertion:

- 0x0000d4d6: No clock is present to start TxLDO.
- 0x00008d82 / 0x00008db8: Process message box full

Here is the sequence followed by PN7120 when an over temperature is detected (Reason Code = 0xA1):

- PN7120 forces pins CLK\_REQ to logical '0'
- PN7120 waits then until the chip temperature comes down to an internal threshold (the power consumption in this mode is around 100µA, since the temperature monitoring circuit is still alive)
- When the internal temperature is low enough, PN7120 reboots, disabling the RF discovery if it was previously enabled
- PN7120 sends then a CORE\_RESET\_NTF(0xA1) to inform the DH that an over temperature event occurred.

### 5.3.9 [PN7120-NCI] extensions to [NCI] RF Technology & Mode

PN7120 supports more RF Technology & Mode parameters than handled today by [NCI].

It is required to extend the [NCI\_Table3] defined in [NCI] (see chapter →17) such that these RF Technology & Mode parameters can be used in RF\_DISCOVER\_CMD:

**Table 20. Proprietary RF Technology & Mode parameters**

Chapter	Value	Description
→7.1.5	0x77	NFCA_KOVIO_POLL_MODE
	0x71-0x76 0x78-0x7F	Reserved for Proprietary Technologies in Poll Mode

## 6. Initialization & Operation configuration

### 6.1 Reset / Initialization

[NCI] defines a Reset/Init sequence, which is based on two different commands:

- ⇒ CORE\_RESET\_CMD
- ⇒ CORE\_INIT\_CMD

These two commands have to be called by the DH in an “atomic” way: there cannot be any other command in-between and the PN7120 operation cannot start any operation (Reader/Writer, Card Emulation, P2P, Combined modes etc...) if it does not first receive these 2 commands.

[NCI] defines 2 modes for the Reset command: Keep Configuration & Reset Configuration. Here is the detail of the difference between the 2 reset modes:

**Table 21. Comparison of the 2 Reset Modes**

Features	Reset Configuration	Keep Configuration
CPU reboot	Yes	Yes
NCI Configuration parameters	Back to default	Kept
Proprietary Configuration parameters	Kept	Kept
Interface Mapping Table	Lost	Kept
Discovery activity	Lost	Lost

**!** PN7120 may delay the CORE\_RESET\_RSP

If the DH sends a CORE\_RESET\_CMD while PN7120 has already indicated that it has some data available to be read by the DH (IRQ pin activated), the DH has first to read the data available from PN7120 before it can get the CORE\_RESET\_RSP. The reason is that the NCI output buffer in PN7120 needs to be flushed before PN7120 can apply a Reset and then send the CORE\_RESET\_RSP.

### 6.2 Manufacturer Specific Information in [NCI] CORE\_INIT\_RSP

The NCI command CORE\_INIT\_RSP contains a field “Manufacturer Specific Information” with 4 bytes.

Here are the values of these 4 Bytes:

**Table 22. Manufacturer specific information in CORE\_INIT\_RSP**

Byte	Meaning	Condition to increment
0	Hardware Version number	0x05
1	ROM Code Version number	0x08
2	Firmware Major version	0x02
3	Firmware Minor version	0x02

### 6.3 Whole sequence to prepare the PN7120 operation

After the Reset/Init sequence is passed, the PN7120 requires several other steps before it is ready to start operating as a Reader/Writer, Card Emulator etc...



The simplest case is when the DH issues a CORE\_RESET\_CMD with Reset Type = Keep Configuration.

On this figure,

- ⇒ Green background means mandatory exchange

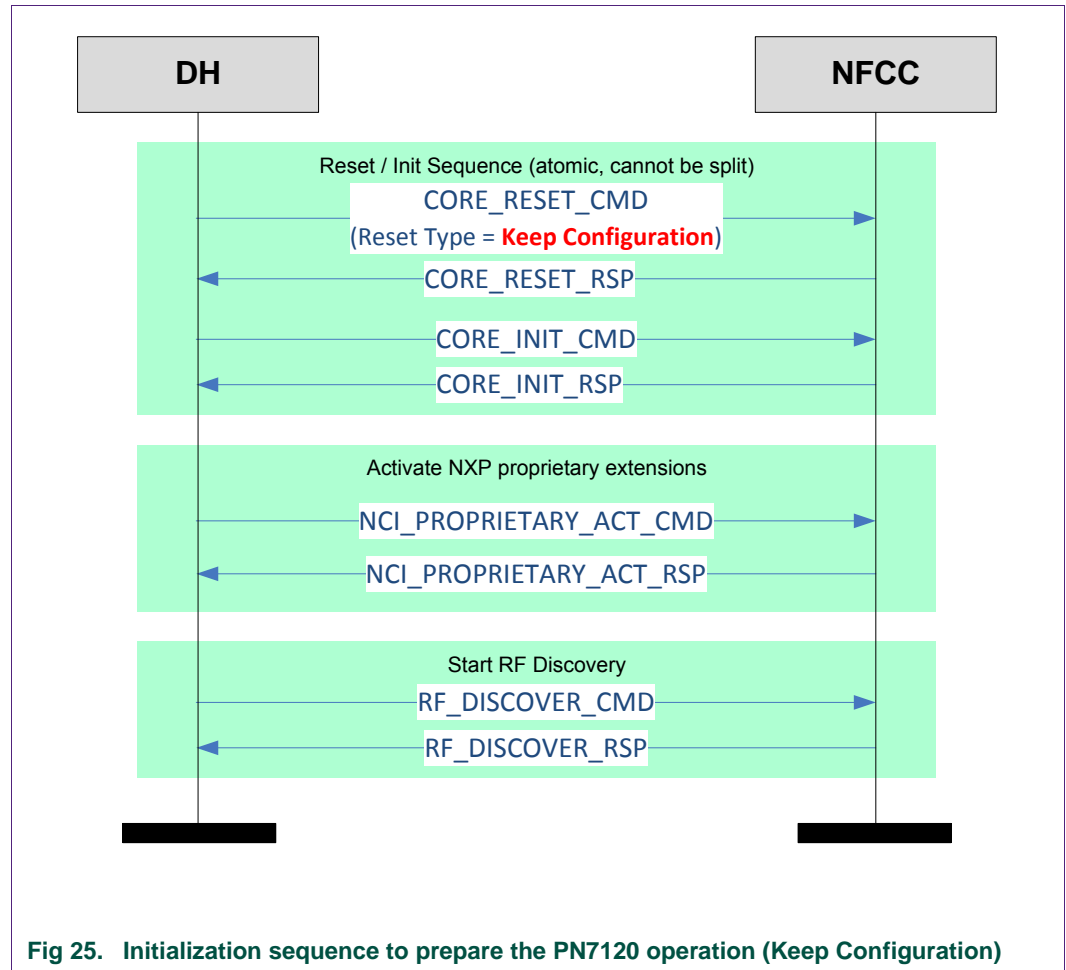
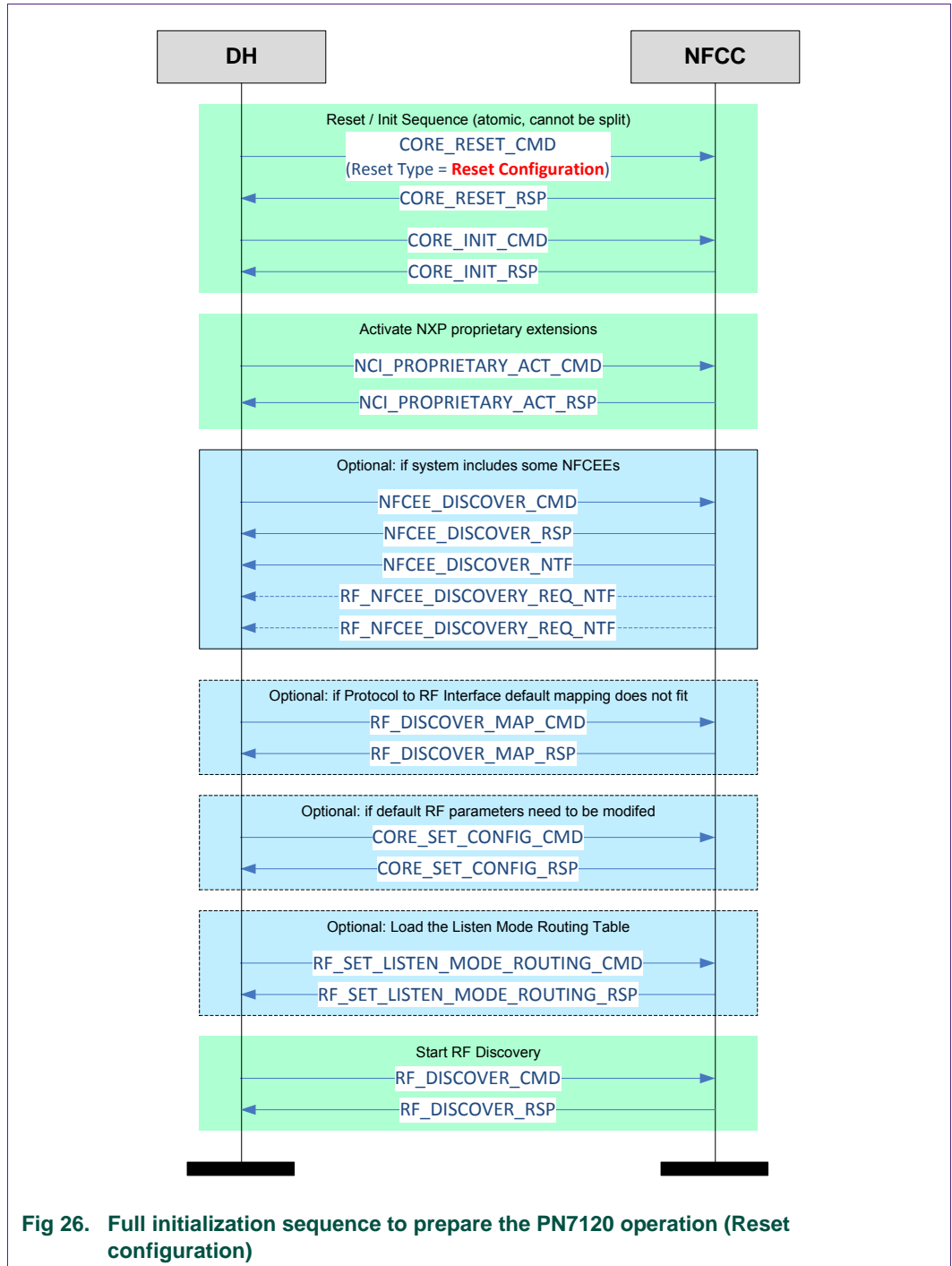


Fig 25. Initialization sequence to prepare the PN7120 operation (Keep Configuration)

Now, here is the figure which lists the complete sequence, starting by a Reset Command based on Reset Type = Reset Configuration. Since the entire configuration is lost, the PN7120 needs to be reconfigured and various optional steps are added, which might be needed or not, depending on the use case.

On this figure,

- ⇒ Green background means mandatory exchange
- ⇒ Blue background means optional exchange, depending on the use case.



### 6.3.1 Proprietary command to enable proprietary extensions

It is visible on the previous flow chart that NXP has introduced a proprietary command sent by the DH to enable the proprietary extensions to [NCI], which are available in the PN7120.

So, when the PN7120 receives this command NCI\_PROPRIETARY\_ACT\_CMD, it knows that the DH is aware of the proprietary extensions and may therefore send

proprietary notifications (see the list in Table 12). If the PN7120 does not receive this proprietary command, it knows that the DH do not understand proprietary extensions and will therefore not send any proprietary notifications.

Here is the description of this command:

**Table 23. NCI\_PROPRIETARY\_ACT\_CMD**

GID	OID	Numbers of parameter(s)	Description
1111b	0x02	0	DH informs the PN7120 that it knows the proprietary extensions.

**Table 24. NCI\_PROPRIETARY\_ACT\_RSP**

GID	OID	Numbers of parameter(s)	Description
1111b	0x02	2	PN7120 indicates that it understood the command.

**Table 25. NCI\_PROPRIETARY\_ACT\_RSP parameters**

Payload Field(s)	Length	Value/Description						
STATUS	1 Octet	One of the following Status codes, as defined in [NCI_Table1]						
		<table border="1"> <tbody> <tr> <td>0x00</td> <td>STATUS_OK</td> </tr> <tr> <td>0x03</td> <td>STATUS_FAILED</td> </tr> <tr> <td>Others</td> <td>Forbidden</td> </tr> </tbody> </table>	0x00	STATUS_OK	0x03	STATUS_FAILED	Others	Forbidden
0x00	STATUS_OK							
0x03	STATUS_FAILED							
Others	Forbidden							
FW_Build_Number	4 Octets	NXP internal firmware build number						

### 6.3.2 Configuration template

In order to help the user of the PN7120 to issue the right configuration sequence for a given mode of operation, the present document will detail a typical configuration sequence, based on the following template:

**Table 26. Template for a typical configuration sequence**

Command	Main Parameters	Values
RF_DISCOVER_MAP_CMD	RF Protocol	...
	Mode	...
	RF Interface	...
CORE_SET_CONFIG_CMD	<i>Depends on technology &amp; mode</i>	...
RF_DISCOVER_CMD	RF Technology & Mode	...

## 6.4 PLL input Clock Management

The PN7120 is flexible in terms of clock sources. It can be either:

- a 27.12MHz quartz
- or a clean clock signal available on the platform on which PN7120 is connected. A PLL inside PN7120 will convert this input clock signal into an internal 27.12MHz used to generate the RF carrier. The input clock frequency has to be one of the predefined set of input frequencies: 13MHz, 19.2MHz, 24MHz, 26MHz, 38.4MHz and 52MHz.

The DH has to configure the parameter CLOCK\_SEL\_CFG (see chapter →11.1) to configure what is the clock source as used in the current application.

**Table 27. Clock sources supported**

Name	Description
XTAL	To be selected when a 27.12MHz quartz is used as a clock source
PLL	To be selected when an input clock is provided to PN7120, with a frequency equal to either 13MHz, 19.2MHz, 24MHz, 26MHz, 38.4MHz or 52MHz

The same parameter (CLOCK\_SEL\_CFG) is used to configure which clock frequency is used as an input to the PLL when this is the clock source in use.

In order to optimize system power consumption, it may be required to switch OFF the PLL input clock when the PN7120 does not have to generate the 13.56MHz RF carrier or download a new firmware.

A dedicated pin (CLKREQ) is used to inform the DH or a clock generating chip that the PN7120 requires to get the PLL input clock, such that it can generate the 13.56MHz RF carrier.

PN7120 assumes that the PLL input clock is On and stable after a programmable time-out, which is configured thanks to the parameter CLOCK\_TO\_CFG (see chapter →11.1).

## 7. Poll side: Reader/Writer Mode

### 7.1 Reader/Writer hosted by the DH

#### 7.1.1 T1T, T2T, MIFARE Ultralight, MIFARE Classic & MIFARE Plus tags

Note : all the Tags/Cards in this category are based on NFC-A technology, but they do not support the ISO-DEP Protocol.

MIFARE Plus cards support the ISO-DEP protocol, but only when they are configured in Security Level3, which is out of scope for this section.

##### 7.1.1.1 Access through the [NCI] Frame RF Interface

[NCI] allows the data exchange with tags T1T, T2T using the Frame RF Interface.

Most of the commands of the MIFARE Classic & MIFARE Plus can also be mapped on the Frame RF Interface, but NXP decided to use a separate RF interface (TAG-CMD, see →7.1.1.2) because some MIFARE Classic commands are split in 2 steps (e.g. Authenticate command) and has a tight response timeout (1ms) which can hardly be monitored by the DH through the PN7120.

Here is a summary of the Tags/Card based on technology NFC-A which can be accessed through the Frame RF interface

**Table 28. Tag/Cards accessible over the [NCI] Frame RF Interface**

Tag/Card	Access through the Frame RF Interface
T1T	✓
T2T	✓
MIFARE Ultralight, Ultralight C	✓
MIFARE Classic	✗

Tag/Card	Access through the Frame RF Interface
MIFARE Plus for Security levels 1 & 2	x

Here are the commands and configuration parameters to prepare the Reader/Writer Mode for T1T & T2T through the Frame RF Interface:

**Table 29. Configuration seq. for Reader/Writer of T1T or T2T through the Frame RF Intf**

Command	Main Parameters	Values
RF_DISCOVER_MAP_CMD*	RF Protocol (choose between the 2 possible protocols)	PROTOCOL_T1T PROTOCOL_T2T
	Mode	Poll
	RF Interface	Frame RF Interface
	CORE_SET_CONFIG_CMD	PA_BAIL_OUT*
RF_DISCOVER_CMD	RF Technology & Mode	NFC_A_PASSIVE_POLL_MODE

\* Note : RF\_DISCOVER\_MAP\_CMD is optional since the mapping to Frame RF Intf. is done by default

\* this parameter is not active in PN7120 : it can be read/written, but PN7120 will always behave with Bail Out in NFC-A, whatever the value written by the DH to that parameter.

7.1.1.2 [PN7120-NCI] extension: TAG-CMD Interface

The figure bellow represents the location of the TAG-CMD RF Interface:

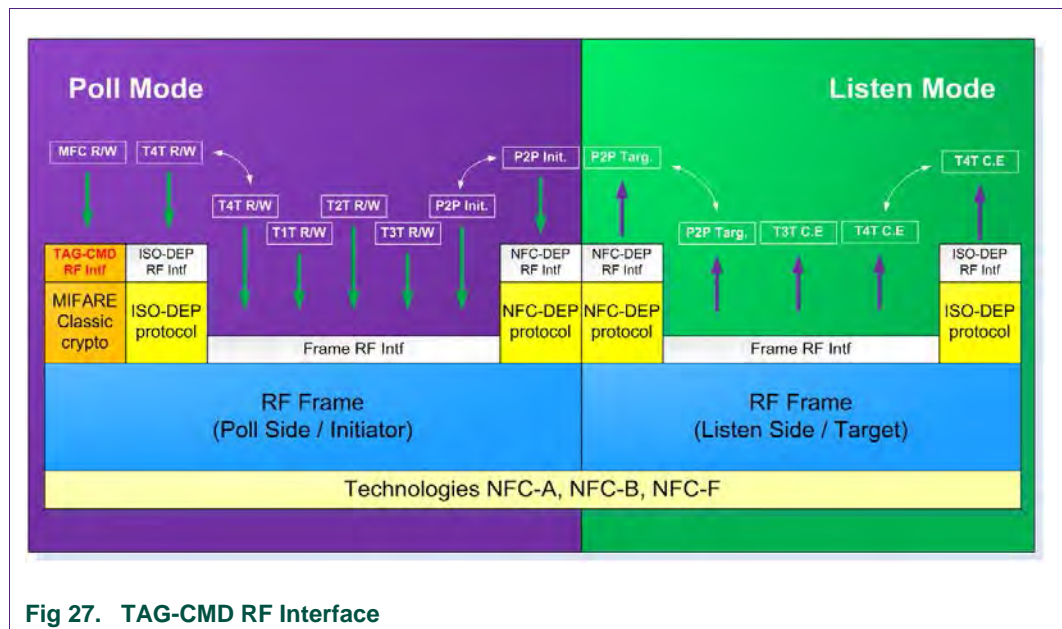


Fig 27. TAG-CMD RF Interface

7.1.1.3 [PN7120-NCI] extension: Payload structure of the TAG-CMD RF Interface

The TAG-CMD RF Interface is using the same data mapping as the one defined for the [NCI] Frame RF Interface (see section 8.2.1 in [NCI]). However, for the TAG-CMD RF Interface, the Payload is defined differently.

Two different structures are defined:

1. REQ (requests) : these are commands from the DH to the PN7120
2. RSP (responses): these are responses from the PN7120 to the DH.

The diagram below details how the Payload is modified to insert a header, which carries the REQ ID or the RSP ID and some parameters, if required.

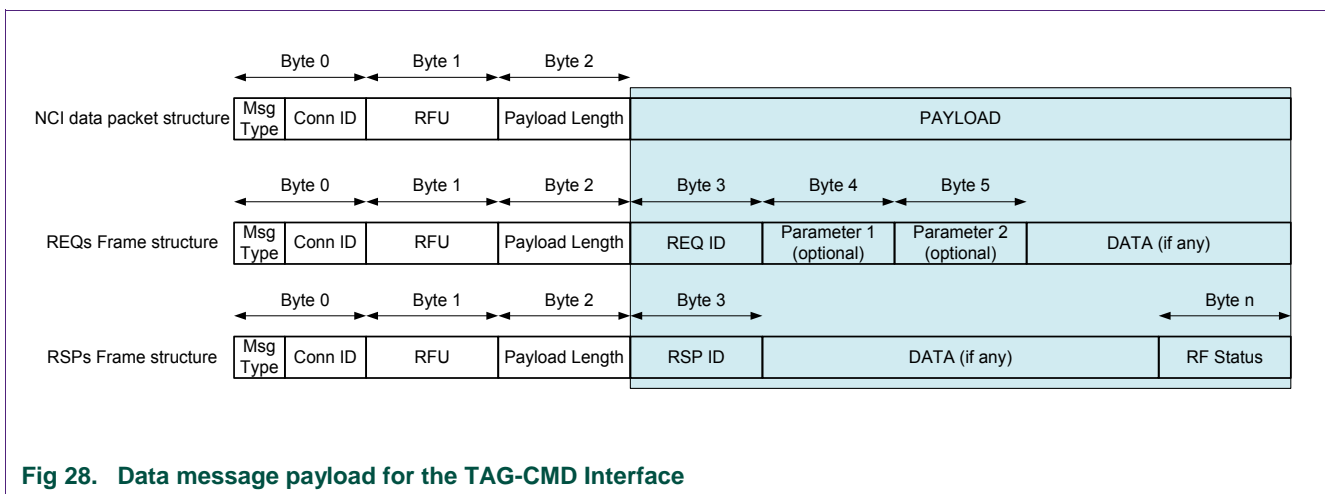


Fig 28. Data message payload for the TAG-CMD Interface

Note: REQs and RSPs don't share exactly the same structure:

REQs: Although illustrated with 2 parameters on the figure above, REQs may have no parameters or only one. Some ReQuests might also need parameters bigger than 1 Byte. Parsing The REQ ID is the way to know how many parameters follow and how long they are.

RSPs: there are no parameters in ReSPonses. A Byte is added at the end of the payload (after the DATA field) to inform the DH on the RF status (to report RF errors if they were some). The Status codes used are the following:

Table 30. TAG-CMD RF Status code

Value	Description
0x00	STATUS_OK
0x03	STATUS_FAILED
0xB0	RF_TRANSMISSION_ERROR
0xB1	RF_PROTOCOL_ERROR
0xB2	RF_TIMEOUT_ERROR
Others	Forbidden

#### 7.1.1.4 [PN7120-NCI] extension: REQs & RSPs rules

A REQ command is always going from DH to RF, through the PN7120.

A RSP response is always going from the RF to the DH, through the PN7120

The DH SHALL wait until it has received a RSP associated to a REQ before it can send a new REQ.

#### 7.1.1.5 [PN7120-NCI] extension: List of REQs & RSPs

In this section, the following acronyms are used:

**Table 31. Acronyms definition**

Acronym	Description
T1T	NFC FORUM Type 1 Tag (based on Topaz/Jewel)
MF	MIFARE family, not ISO-DEP compliant, including T2T, MIFARE Ultra-Light (std or C), MIFARE Classic and MIFARE Plus for Security Level 1 & 2.
MFC	MIFARE Classic and MIFARE Plus for Security Level 1 & 2.

The added REQuests/ReSPonses pairs are listed in the following table:

**Table 32. List of REQuests & ReSPonses**

REQ/RSP Name	ID	Param 1	Param 2	Param 3	Data	Description
XCHG_DATA_REQ	0x10	None	None	None	Yes	MFC: DH sends Raw data to the PN7120, which encrypts them before sending them to MFC. T1T/T2T: DH sends Raw data to the PN7120, which forwards them in plain to the Tag.
XCHG_DATA_RSP	0x10	N/A	N/A	N/A	Yes	MFC: DH gets Raw data once RF data from MFC are decrypted by the PN7120, if successful. T1T/T2T: DH gets Raw plain data once the PN7120 receives RF data from the Tag, if successful.
MF_SectorSel_REQ	0x32	Sector Address	None	None	No	T2T & MFU only: DH Sends the address of the Block to select.
MF_SectorSel_RSP	0x32	N/A	N/A	N/A	No	T2T & MFU only: DH gets the "Sector Select" response status
MFC_Authenticate_REQ	0x40	Sector Address	Key Selector	Key (optional)	No	DH asks PN7120 to perform MFC Authenticate command.
MFC_Authenticate_RSP	0x40	N/A	N/A		No	DH gets the MFC Authenticate command status

All these REQs & RSPs are detailed in the next sections.

#### 7.1.1.6 [PN7120-NCI] extension: raw data exchange REQs & RSPs

**Table 33. XCHG\_DATA\_REQ**

REQ_ID	REQ Name	Number of parameter(s)	Presence of data	Description
0x10	XCHG_DATA_REQ	0	Yes	MFC: DH sends Raw data to the PN7120, which encrypts them before sending them to MFC. T1T/T2T: DH sends Raw data to the PN7120, which forwards them in plain to the Tag.

**Table 34. XCHG\_DATA\_RSP**

RSP_ID	RSP Name	Presence of Data	Description
0x10	XCHG_DATA_RSP	Yes	MFC: DH gets Raw data once RF data from MFC are decrypted by the PN7120, if successful. T1T/T2T: DH gets Raw plain data once the PN7120 receives RF data from the Tag, if successful. If the response from the MF tag in the field is an ACK or a NACK, the ACK/NACK is also sent back to the DH inside the Data field. Since ACK & NACK are 4-bit commands, they are transported on the 4 LSBs of the data Byte; the 4MSBs of that Byte are forced to the logical '0' value.



7.1.1.7 [PN7120-NCI] extension: T2T & MFU REQs & RSPs

All the REQs & RSPs described in this section can be used whatever the tag between:

- T2T
- MIFARE Ultralight (std or C)

Table 35. MF\_SectorSel\_REQ

REQ_ID	REQ Name	Number of parameter(s)	Presence of data	Description
0x32	MF_SectorSel_REQ	1	No	DH Sends the address of the Sector to select.

Table 36. MF\_SectorSel\_REQ parameter

Parameter	Length (Byte)	Value	Description
1 Sector Address	1	?	Defines the address of the sector which has to be selected. The address can be any block address in this sector.

Table 37. MF\_SectorSel\_RSP

RSP_ID	RSP Name	Presence of Data	Description
0x32	MF_SectorSel_RSP	No	DH gets sector select status

7.1.1.8 [PN7120-NCI] extension: MIFARE Classic REQs & RSPs

Table 38. MFC\_Authenticate\_REQ

REQ_ID	REQ Name	Number of parameter(s)	Presence of data	Description
0x40	MFC_Authenticate_REQ	3	No	DH asks PN7120 to perform MFC authenticate.

Table 39. MFC\_Authenticate\_REQ parameters

Parameter	Length (Byte)	Value	Description
1 Sector Address	1		Address of the sector to authenticate
2 Key Selector	1	N/A	

Bit Mask								Description
b7	b6	b5	b4	b3	b2	b1	b0	
X								Key A ('0') or Key B ('1')
			X					0 => use pre-loaded key 1 => use Key embedded in the REQ (param Nbr 3)
				X	X	X	X	Pre-loaded key number (0 to 15)

Parameter	Length (Byte)	Value	Description
		0 0	RFU
3 Embedded Key (optional)	6	N/A	This parameter is present in the MFC_Authenticate_CMD only if bit b4 is set to logical '1' in Key Selector parameter. If present, this parameter defines the value of the Key used for the Authentication.

**Table 40. MFC\_Authenticate\_RSP**

RSP_ID	RSP Name	Presence of Data	Description
0x40	MFC_Authenticate_RSP	No	DH gets the “authenticate” cmd status

**Table 41. TAG-CMD RF Status code, in the special case of MFC\_Authenticate\_CMD**

Value	Description	Reason
0x00	STATUS_OK	Authentication was successful
0x03	STATUS_FAILED	Authentication failed (wrong key, time-out triggered during authentication etc...)
0xB0	RF_TRANSMISSION_ERROR	Not used
0xB1	RF_PROTOCOL_ERROR	Not used
0xB2	RF_TIMEOUT_ERROR	Not used
Others	Forbidden	

Once a sector is authenticated, PN7120 will automatically encrypt any data sent by the DH to be transferred over RF, thanks to the XCHG\_DATA\_REQ command. The key used is the one used for the sector currently authenticated.

In a symmetrical way, PN7120 will automatically decrypt the data received from RF before it forwards to the DH thanks to the XCHG\_DATA\_RSP response, again using the key of the sector currently authenticated.

Here is a typical MIFARE Classic reader sequence, to illustrate the use of the MFC\_Authenticate\_REQ & XCHG\_DATA\_REQ.

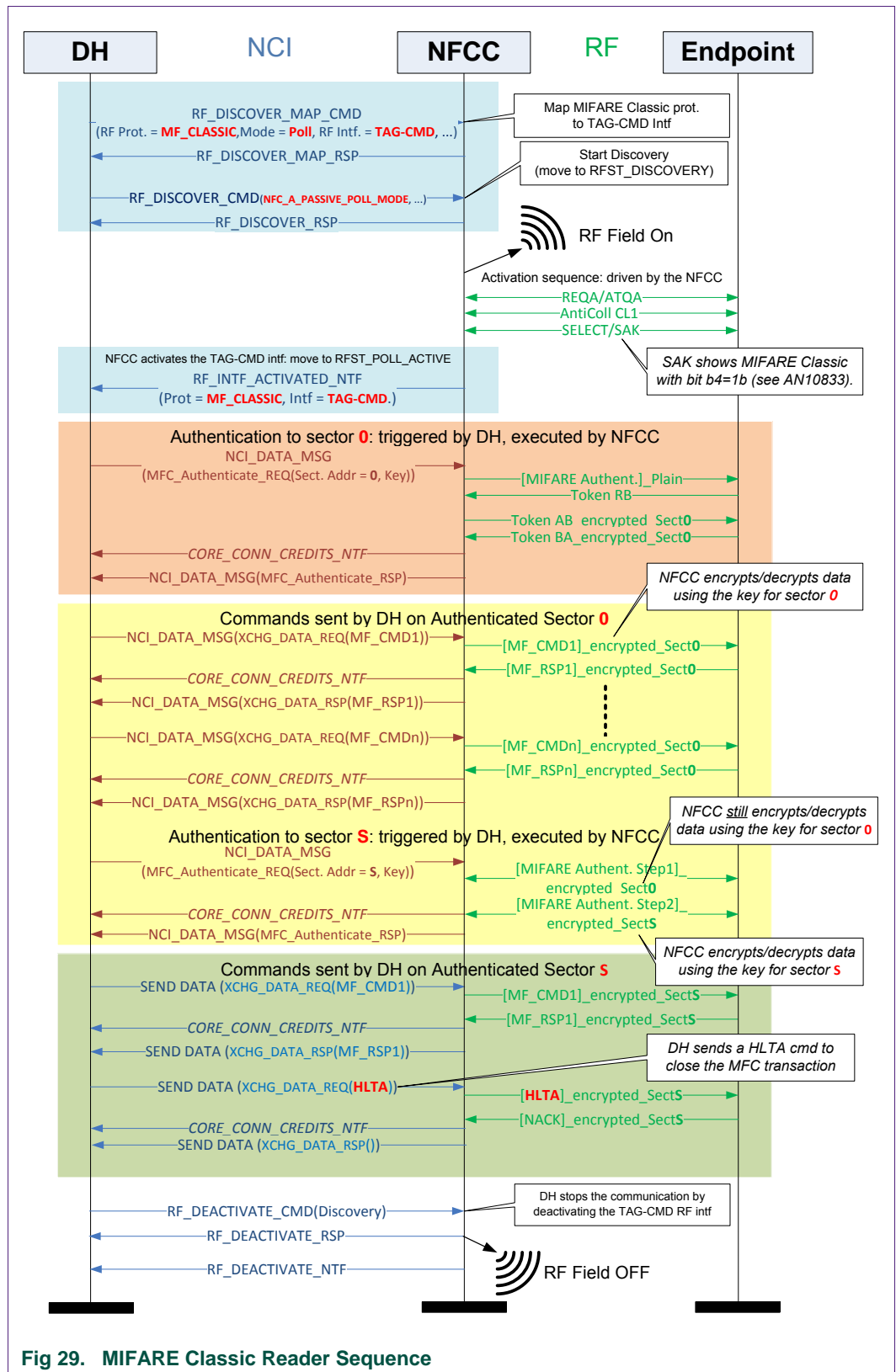


Fig 29. MIFARE Classic Reader Sequence

7.1.1.9 Access through the TAG-CMD RF Interface

The TAG-CMD RF interface allows full access to all the Tags based on NFC-A technology and not supporting the ISO-DEP protocol, leaving up to the PN7120 to manage the low level TAG-CMD:

Table 42. Tag/Cards accessible over the TAG-CMD Interface

Tag/Card	Access through the TAG-CMD Interface
T1T	✓
T2T	✓
MIFARE Ultralight, Ultralight C	✓
MIFARE Classic	✓
MIFARE Plus for Security levels 1 & 2	✓

Here are the commands and configuration parameters to prepare the Reader/Writer Mode for T1T, T2T, and MIFARE Classic through the TAG-CMD Interface:

Table 43. Configuration seq. for R/W of T1T, T2T & MFC through the TAG-CMD Interface

Command	Main Parameters	Values
RF_DISCOVER_MAP_CMD	RF Protocol (choose between the 3 possible protocols)	PROTOCOL_T1T PROTOCOL_T2T PROTOCOL_MIFARE_CLASSIC
	Mode	Poll
	RF Interface	TAG-CMD
	CORE_SET_CONFIG_CMD	PA_BAIL_OUT <sup>1</sup>
RF_DISCOVER_CMD	RF Technology & Mode	NFC_A_PASSIVE_POLL_MODE

**!** <sup>1</sup> this parameter is not active in PN7120: it can be read/written, but PN7120 will always behave with Bail Out in NFC-A, whatever the value written by the DH to that parameter.

7.1.2 T3T tag

[NCI] allows the data exchange with a tag T3T by using the Frame RF Interface, so there is no need to add proprietary extensions here.

7.1.2.1 Access through the Frame RF Interface

Here are the commands and configuration parameters to prepare the Reader/Writer Mode for T3T Tags/Cards through the Frame RF Interface:

Table 44. Configuration seq. for Reader/Writer of T3T through the Frame RF Interface

Command	Main Parameters	Values
RF_DISCOVER_MAP_CMD	RF Protocol	PROTOCOL_T3T
	Mode	Poll
	RF Interface	Frame

Command	Main Parameters	Values
CORE_SET_CONFIG_CMD	PF_BIT_RATE	
	PF_RC_CODE	
RF_DISCOVER_CMD	RF Technology & Mode	NFC_F_PASSIVE_POLL_MODE

### 7.1.3 T4T & ISO-DEP Tags/Cards

[NCI] allows the data exchange with a T4T tag or an ISO-DEP tag by using the Frame RF Interface or the ISO-DEP RF Interface, so there is no need to define a proprietary RF interface here.

#### 7.1.3.1 Access through the Frame RF Interface

The Frame RF interface allows full access to all the Tags based on NFC-A & NFC-B technology and supporting the ISO-DEP protocol, assuming that the ISO-DEP protocol is fully handled by the DH:

**Table 45. Tag/Cards accessible over the Frame RF Interface**

Tag/Card	Access through the Frame RF Interface
T4T	✓
MIFARE DESFire	✓
MIFARE Plus for Security levels 3	✓
JCOP-based smart cards	✓

Here are the commands and configuration parameters to prepare the Reader/Writer Mode for ISO-DEP Tags/Cards through the Frame RF Interface for technology NFC-A:

**Table 46. Configuration seq. for R/W of NFC-A / ISO-DEP through the Frame RF interface**

Command	Main Parameters	Values
RF_DISCOVER_MAP_CMD *	RF Protocol	PROTOCOL_ISO-DEP
	Mode	Poll
	RF Interface	Frame
CORE_SET_CONFIG_CMD	PA_BAIL_OUT <sup>1</sup>	
RF_DISCOVER_CMD	RF Technology & Mode	NFC_A_PASSIVE_POLL_MODE

\* Note : RF\_DISCOVER\_MAP\_CMD is optional since the mapping to Frame RF Intf. is done by default

**!** <sup>1</sup> this parameter is not active in PN7120: it can be read/written, but PN7120 will always behave with Bail Out in NFC-A, whatever the value written by the DH to that parameter.

Here are the commands and configuration parameters to prepare the Reader/Writer Mode for ISO-DEP Tags/Cards through the Frame RF Interface for technology NFC-B:

**Table 47. Configuration seq. for R/W of NFC-B / ISO-DEP through the Frame RF interface**

Command	Main Parameters	Values
RF_DISCOVER_MAP_CMD *	RF Protocol	PROTOCOL_ISO-DEP
	Mode	Poll
	RF Interface	Frame
CORE_SET_CONFIG_CMD	PB_AFI	
	PB_BAIL_OUT <sup>1</sup>	
	PB_SENSB_REQ_PARAM <sup>2</sup>	
RF_DISCOVER_CMD	RF Technology & Mode	NFC_B_PASSIVE_POLL_MODE

\* Note : RF\_DISCOVER\_MAP\_CMD is optional since the mapping to Frame RF Intf. is done by default

**!** <sup>1</sup> this parameter is not active in PN7120: it can be read/written, but PN7120 will always behave with Bail Out in NFC-B, whatever the value written by the DH to that parameter.

**!** <sup>2</sup> this parameter is not supported in PN7120: STATUS\_INVALID\_PARAM will be returned to the DH if it attempts to write this parameter.

**7.1.3.2 Access through the ISO-DEP RF Interface**

The ISO-DEP RF interface allows full access to all the Tags based on NFC-A & NFC-B technology and supporting the ISO-DEP protocol, leaving up to the PN7120 to manage the ISO-DEP protocol:

**Table 48. Tag/Cards accessible over the ISO-DEP RF Interface**

Tag/Card	Access through the ISO-DEP RF Interface
T4T	✓
MIFARE DESFire	✓
MIFARE Plus for Security levels 3	✓
JCOP-based smart cards	✓

Here are the commands and configuration parameters to prepare the Reader/Writer Mode for ISO-DEP through the ISO-DEP Interface for technology NFC-A:

**Table 49. Configuration seq. for R/W of NFC-A / ISO-DEP through the ISO-DEP interface**

Command	Main Parameters	Values
RF_DISCOVER_MAP_CMD	RF Protocol	PROTOCOL_ISO-DEP
	Mode	Poll
	RF Interface	ISO-DEP
CORE_SET_CONFIG_CMD	PA_BAIL_OUT <sup>1</sup>	
	PI_BIT_RATE	
	PA_ADV_FEAT <sup>3</sup>	
RF_DISCOVER_CMD	RF Technology & Mode	NFC_A_PASSIVE_POLL_MODE

! <sup>1</sup> this parameter is not active in PN7120: it can be read/written, but PN7120 will always behave with Bail Out in NFC-A, whatever the value written by the DH to that parameter.

! <sup>3</sup> this parameter is not supported in PN7120: STATUS\_INVALID\_PARAM will be returned to the DH if it attempts to write this parameter.

Here are the commands and configuration parameters to prepare the Reader/Writer Mode for ISO-DEP through the ISO-DEP Interface for technology NFC-B:

**Table 50. Configuration seq. for R/W of NFC-B / ISO-DEP through the ISO-DEP interface**

Command	Main Parameters	Values
RF_DISCOVER_MAP_CMD	RF Protocol	PROTOCOL_ISO-DEP
	Mode	Poll
	RF Interface	ISO-DEP
CORE_SET_CONFIG_CMD	PB_AFI	
	PB_BAIL_OUT <sup>1</sup>	
	PB_H_INFO	
	PI_BIT_RATE	
RF_DISCOVER_CMD	PB_SENSB_REQ_PARAM <sup>3</sup>	
	RF Technology & Mode	NFC_B_PASSIVE_POLL_MODE

! <sup>1</sup> this parameter is not active in PN7120: it can be read/written, but PN7120 will always behave with Bail Out in NFC-B, whatever the value written by the DH to that parameter.

! <sup>3</sup> this parameter is not supported in PN7120: STATUS\_INVALID\_PARAM will be returned to the DH if it attempts to write this parameter.

**7.1.3.3 [PN7120-NCI] extension: Presence check Command/Response**

When a Tag/Card has been activated in Poll Mode, the RF State Machine is then in state RFST\_POLL\_ACTIVE. It is useful for the DH to know if the card is still in the field or not, especially at the end of the transaction. For that purpose, NXP has added a proprietary command to check the Tag/Card presence.

All the rules defined for command/response in [NCI] (section 3.2) apply to the command defined here. Here are two additional rules:

- ⇒ The DH can use this command ONLY if the RF State Machine is in state RFST\_POLL\_ACTIVE. PN7120 will respond “STATUS\_SEMANTIC\_ERROR” in case this command is sent in any other state.

⇒ The DH can use this command ONLY if the active protocol is either ISO-DEP or NFC-DEP.

**Table 51. RF\_PRES-CHECK\_CMD**

GID	OID	Numbers of parameter(s)	Description
1111b	0x11	0	The DH asks to know if the ISO-DEP Tag/Card is in the field or not.

**Table 52. RF\_PRES-CHECK\_RSP**

GID	OID	Numbers of parameter(s)	Description
1111b	0x11	1	The PN7120 acknowledges the command received from the DH.

**Table 53. RF\_PRES-CHECK\_RSP parameters**

Payload Field(s)	Length	Value/Description								
STATUS	1 Octet	One of the following Status codes, as defined in [NCI_Table1]								
		<table border="1"> <tbody> <tr> <td>0x00</td> <td>STATUS_OK</td> </tr> <tr> <td>0x01</td> <td>STATUS_REJECTED</td> </tr> <tr> <td>0x06</td> <td>STATUS_SEMANTIC_ERROR</td> </tr> <tr> <td>Others</td> <td>Forbidden</td> </tr> </tbody> </table>	0x00	STATUS_OK	0x01	STATUS_REJECTED	0x06	STATUS_SEMANTIC_ERROR	Others	Forbidden
0x00	STATUS_OK									
0x01	STATUS_REJECTED									
0x06	STATUS_SEMANTIC_ERROR									
Others	Forbidden									

**Table 54. RF\_PRES-CHECK\_NTF**

GID	OID	Numbers of parameter(s)	Description
1111b	0x11	1	PN7120 indicates if the ISO-DEP Tag/Card is still in the field or not.

**Table 55. RF\_PRES-CHECK\_NTF parameters**

Payload Field(s)	Length	Value/Description						
Presence	1 Octet	<table border="1"> <tbody> <tr> <td>0x00</td> <td>Card no more in the field</td> </tr> <tr> <td>0x01</td> <td>Card still in the field</td> </tr> <tr> <td>0x02-0xFF</td> <td>RFU</td> </tr> </tbody> </table>	0x00	Card no more in the field	0x01	Card still in the field	0x02-0xFF	RFU
0x00	Card no more in the field							
0x01	Card still in the field							
0x02-0xFF	RFU							

#### 7.1.3.4 [PN7120-NCI] extension: Higher bit rates in Poll NFC-A & NFC-B

[NCI] does not “officially” support the use of higher bit rates in technology NFC-A & NFC-B.



PN7120 offers 4 different bit rates for these technologies, which can be used either in Poll Mode (to read/write an external Card/Tag) or in Listen Mode (to emulate a card):

1. 106 kbps (default bit rate, always used during activation)
2. 212 kbps
3. 424 kbps
4. 848 kbps

Everything is prepared (see the RF configuration parameter `PI_BIT_RATE`), except for the ISO-DEP RF Interface activation.

As currently defined in [NCI], the ISO-DEP RF interface activation for technology NFC-A is incompatible with bit rates higher than 106kbps, since this requires to handle the PPS commands exchange, which is not addressed in [NCI].

So the PN7120 implements an ISO-DEP RF Interface activation which is different from the one described in [NCI\_Chap1] (see chapter →17). Here is a copy of this chapter, where the modification as implemented in the PN7120 is highlighted in *red italic*:

\_\_\_\_\_ Copied from [NCI] \_\_\_\_\_

### 8.3.2.2 Discovery and Interface Activation

To enable Poll Mode for ISO-DEP, the DH sends the `RF_DISCOVER_CMD` to the PN7120 containing configurations with RF Technology and Mode values of `NFC_A_PASSIVE_POLL_MODE` and/or `NFC_B_PASSIVE_POLL_MODE`.

When the PN7120 is ready to exchange data (that is, after receiving a response to the protocol activation command from the Remote NFC Endpoint), it sends the `RF_INTF_ACTIVATED_NTF` to the DH to indicate that this Interface has been activated to be used with the specified Remote NFC Endpoint.

Detailed ISO-DEP RF Interface activation handling in the PN7120:

For NFC-A:

Following the anticollision sequence, if the Remote NFC Endpoint supports ISO-DEP Protocol, the PN7120 sends the RATS Command to the Remote NFC Endpoint. And after receiving the RATS response, *the PN7120 MAY send the PPS command if `PI_BIT_RATE` was set by the DH to an allowed value higher than 0x00*. It SHALL then send the `RF_INTF_ACTIVATED_NTF` to the DH to indicate a Remote NFC Endpoint based on ISO-DEP has been activated. The `RF_INTF_ACTIVATED_NTF` will inform the DH on the actual bit rate used on RF.

For NFC-A the `RF_INTF_ACTIVATED_NTF` SHALL include the Activation Parameters defined in Table 74 (see below).

**Table 56. Table 74: Activation Parameters for NFC-A/ISO-DEP Poll Mode**

Parameter	Length	Description
RATS Response Length	1 Octet	Length of RATS Response Parameter (n)
RATS Response	n Octets	All Bytes of the RATS Response as defined in [DIGITAL] starting from and including Byte 2.

\_\_\_\_\_ End of Copy from [NCI] \_\_\_\_\_

### 7.1.4 [PN7120-NCI] extension: 15693 & I-Code tags

The current version of the NCI standard allows the data exchange with a tag ISO 15693 by using the RF Frame interface. No additional interface is needed for this protocol. However, the data mapping is not yet defined in [NCI], therefore, NXP has defined it for [PN7120-NCI].

#### 7.1.4.1 Access through the Frame RF Interface

The Frame RF interface allows full access to all the Tags based on NFC-15693 technology. Here is a list of such tags from the NXP portfolio:

**Table 57. NFC-15693 compliant Tag/Cards accessible over the Frame RF Interface**

Tag/Card	Access through the Frame RF Interface
I-Code SLI	✓
I-Code SLI-L	✓
I-Code SLI-S	✓

Here are the commands and configuration parameters to prepare the Reader/Writer Mode for NFC-15693 Tags/Cards through the Frame RF Interface:

**Table 58. Configuration seq. for R/W of NFC-15693 through the Frame RF Interface**

Command	Main Parameters	Values
	RF Protocol	PROTOCOL_15693
RF_DISCOVER_MAP_CMD *	Mode	Poll
	RF Interface	Frame RF
RF_DISCOVER_CMD	RF Technology & Mode	NFC_15693_PASSIVE_POLL_MODE

\* Note : RF\_DISCOVER\_MAP\_CMD is optional since the mapping to Frame RF Intf. is done by default

#### 7.1.4.2 [PN7120-NCI] extension: Specific parameters for NFC\_15693 Poll Mode

Once PN7120 detects and activates a remote NFC Endpoint based on NFC\_15693, PN7120 will activate the Frame RF Interface, providing the following activation parameters:

**Table 59. Specific parameters for NFC\_15693 Poll Mode**

Parameter	Length	Description
FLAGS	1 Octet	1 <sup>st</sup> Byte of the Inventory Response
DSFID	1 Octet	2 <sup>nd</sup> Byte of the Inventory Response
UID	8 Octets	3 <sup>rd</sup> Byte to last Byte of the Inventory Response

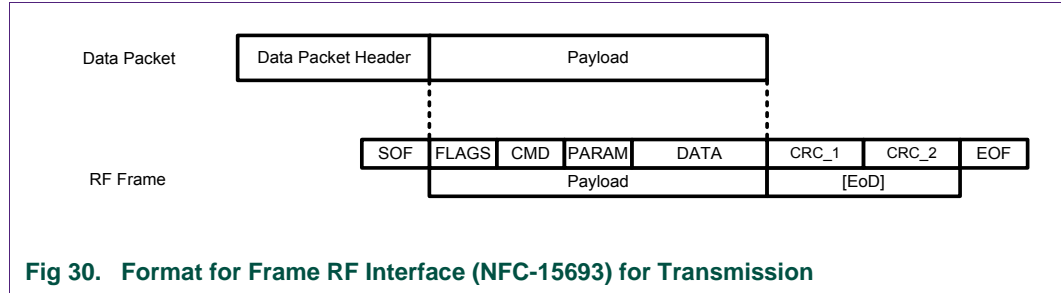
#### 7.1.4.3 [PN7120-NCI] extension: Data Mapping between the DH and RF

##### Data from the DH to RF

The NCI Data Message corresponds to the Request Format defined in [ISO15693-3] Section 7.3.

After receiving a Data Message from the DH, the PN7120 appends the appropriate EoD, SOF and EOF and then sends the result in an RF Frame in NFC-15693 technology to the Remote NFC Endpoint.

The following figure illustrates the mapping between the NCI Data Message Format and the RF frame when sending the RF frame to the Remote NFC Endpoint. This figure shows the case where NCI Segmentation and Reassembly feature is not used.



**Fig 30. Format for Frame RF Interface (NFC-15693) for Transmission**

Although the Frame RF interface is defined to be a transparent interface where the PN7120 does not parse/modify the Bytes transmitted by the DH, the following exceptions occur:

**!** PN7120 is parsing the bit `Option_Flag` (bit b7 in the request Flags Byte, as defined in ISO15693) to check if this bit is set by the DH or not. If set, this indicates that the tag is from TI, and PN7120 is sending commands over RF using a special mode, as defined for some commands in ISO15693.

**Data from RF to the DH**

The NCI Data Message corresponds to the Payload of the Response Format defined in [ISO15693-3] Section 7.4, followed by a Status field of 1 octet.

After receiving an RF frame, the PN7120 checks and removes the EoD, the SOF & EOF and sends the result in a Data Message to the DH.

In case of an error the Data Message may consist of only a part of the Payload of the received RF frame but it will always include the trailing Status field. So the PN7120 may send a Data Message consisting of only the Status field if the whole RF frame is corrupted.

If the RF frame was received correctly, the PN7120 sets the Status field of Data Message to a value of `STATUS_OK`. If the PN7120 detected an error when receiving the RF frame, it sets the Status field of the Data Message to a value of `STATUS_RF_FRAME_CORRUPTED`.

The following figure illustrates the mapping of the RF frame received from the Remote NFC Endpoint in technology NFC-15693 to the Data Message format to be sent to the DH. This figure shows the case where NCI Segmentation and Reassembly feature is not used.

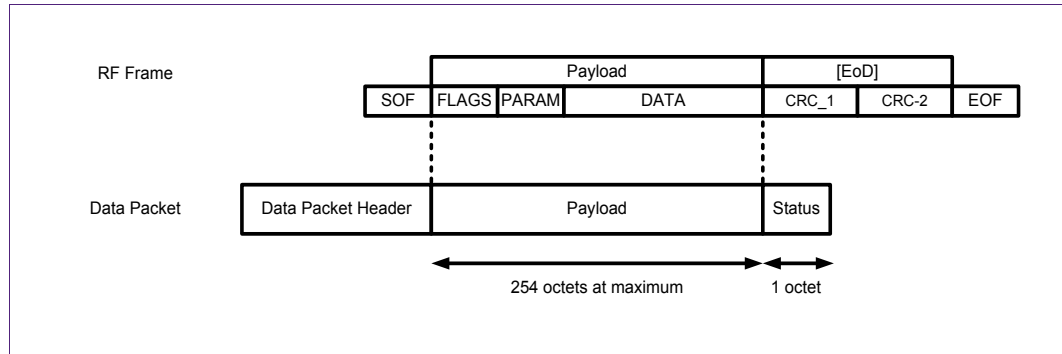


Fig 31. Format for Frame RF Interface (NFC-15693) for Reception

7.1.4.4 PN7120 behavior with multiple VICCs

PN7120 supports collision resolution (using the Inventory command), so it can detect multiple VICCs (2 maximum, as defined for CON\_DEVICE\_LIMIT in →5.2.5).

Here is the behavior when two VICCs are detected and then, one of them is removed from the Field before the DH wants to select it:

- PN7120 is in state RFST\_DISCOVERY; it detects 2 VICCs. It sends an RF\_DISCOVER\_NTF to the DH for VICC1 and moves to RFST\_W4\_ALL\_DISCOVERIES.
- PN7120 is in state RFST\_W4\_ALL\_DISCOVERIES, it sends an RF\_DISCOVER\_NTF to the DH for VICC2 and moves to RFST\_W4\_HOST\_SELECT.
- PN7120 is in state RFST\_W4\_ALL\_DISCOVERIES and waits for the DH to select one of the 2 VICCs. Once it receives the RF\_DISCOVER\_SELECT\_CMD from the DH, PN7120 immediately activates the Frame RF Interface and does not check if the selected VICC is still in the field. That means that PN7120 will not send a CORE\_GENERIC\_ERROR\_NTF (Discovery\_Target\_Activation\_Failed) to the DH if the selected VICC is not in the field anymore. The state is now changed to RFST\_POLL\_ACTIVE.
- PN7120 is in state RFST\_POLL\_ACTIVE; it waits for the DH to send some data to transfer over RF. Once it gets this data, PN7120 forwards it over RF. If the selected VICC is not in the field anymore, PN7120 will stay mute and will not send any data back to the DH. The DH has to implement a time-out function, to detect that the VICC is not in the field anymore. Once this timeout is triggered, the DH can de-activate the Frame RF Interface by sending the RF\_DEACTIVATE\_CMD.

7.1.5 [PN7120-NCI] extension: KOVIO tags

Kovio tags are very particular tags which use a sub-set of NFC-A technology.

The basic concept is that the tag is powered from RF Field generated by PN7120, and it will spontaneously generate a 16-Byte ID using NFC-A load modulation, although it did not receive any command from PN7120. Once PN7120 has detected a Kovio tag by capturing its ID, PN7120 will send a RF\_INTF\_ACTIVATED\_NTF, transporting the tag ID as RF parameter.

**Table 60. Kovio specific RF parameters inside the RF\_INTF\_ACTIVATED\_NF**

Payload Field(s)	Length	Value/Description
...		
Length of RF Technology Specific Parameters	1 Octet	16
RF Technology Specific Parameters	16 Octets	Kovio ID
...		

It is then up to the DH to decide when to leave the RFST\_POLLING\_ACTIVE state, and also to decide if it directly comes back to RFST\_DISCOVERY, where the same Kovio Tag may be discovered again, or if it comes back to RFST\_IDLE first, in order to wait without any RF activity or re-configuring the RF Discovery so that PN7120 does not poll for a Kovio tag again.

**7.1.5.1 Access through the [NCI] Frame RF Interface**

Due to the very particular behavior of the Kovio tags, it is necessary to configure the RF Discovery specifically for these tags, using the NFC-A\_KOVIO\_POLL\_MODE parameter for the RF\_DISCOVER\_CMD as highlighted in the table below:

**Table 61. Configuration seq. for Reader/Writer of Kovio tags through the Frame RF Intf**

Command	Main Parameters	Values
	RF Protocol	PROTOCOL_KOVIO
RF_DISCOVER_MAP_CMD*	Mode	Poll
	RF Interface	Frame RF Interface
CORE_SET_CONFIG_CMD	PA_BAIL_OUT*	
RF_DISCOVER_CMD	RF Technology & Mode	NFC_A_KOVIO_POLL_MODE

**!** \* this parameter is not active in PN7120: it can be read/written, but PN7120 will always behave with Bail Out in NFC-B, whatever the value written by the DH to that parameter.

**8. Listen side: Card Emulation Mode**

**8.1 ISO-DEP based on NFC-A & NFC-B**

For Card Emulation hosted by the DH based on either technology NFC-A or technology NFC-B, the PN7120 only supports the ISO-DEP protocol.

[NCI] defines all the mechanisms necessary to implement this feature. Two options are possible:

1. The DH wants to manage by itself the ISO-DEP protocol; it SHALL then map the ISO-DEP protocol on the Frame RF Interface.

**!** Not supported in PN7120

2. The DH leaves the ISO-DEP protocol management to the PN7120: it SHALL then map the ISO-DEP protocol on the ISO-DEP interface.

Here are the commands and configuration parameters to prepare the ISO-DEP Card Emulation for technology NFC-A in the DH through the ISO-DEP RF Interface:

**Table 62. Configuration seq. for ISO-DEP/NFC-A Card Emulation in the DH over ISO-DEP RF Interface**

Command	Main Parameters	Values
RF_DISCOVER_MAP_CMD	RF Protocol	PROTOCOL_ISO-DEP
	Mode	Listen
	RF Interface	ISO-DEP
CORE_SET_CONFIG_CMD	LA_BIT_FRAME_SDD	
	LA_PLATFORM_CONFIG	
	LA_SEL_INFO	
	LA_NFCID1	
	LI_FWI	
	LA_HIST_BY	
	LI_BIT_RATE	
RF_DISCOVER_CMD	RF Technology & Mode	NFC_A_PASSIVE_LISTEN_MODE

Here are the commands and configuration parameters to prepare the ISO-DEP Card Emulation for technology NFC-B in the DH through the Frame RF Interface:

**Table 63. Configuration seq. for ISO-DEP/NFC-B Card Emulation in the DH over ISO-DEP RF Interface**

Command	Main Parameters	Values
RF_DISCOVER_MAP_CMD	RF Protocol	PROTOCOL_ISO-DEP
	Mode	Listen
	RF Interface	ISO-DEP
CORE_SET_CONFIG_CMD	LB_SENSB_INFO	
	LB_NFCID0	
	LB_APPLICATION_DATA	
	LB_SFGI	
	LB_ADC_FO	
	LI_FWI	
	LB_H_INFO_RESP <sup>1</sup>	
LI_BIT_RATE		



<sup>1</sup> this parameter is not active in PN7120: it can be read/written, but PN7120 will always behave with empty Higher Layer – Response field in the ATTRIB response, whatever the value written by the DH to that parameter.

## 9. Poll & Listen sides: P2P Initiator & Target Mode

### 9.1 P2P Passive mode

[NCI] defines all the mechanisms necessary to implement this feature. Two options are possible:

1. The DH wants to manage by itself the NFC-DEP protocol; it SHALL then map the NFC-DEP protocol on the Frame RF Interface.

! Not supported in PN7120

2. The DH leaves the NFC-DEP protocol management to the PN7120: it SHALL then map the NFC-DEP protocol on the NFC-DEP interface.

The NFC-DEP RF interface allows the DH to emulate an NFC-DEP Target or Initiator in P2P Passive, leaving up to the PN7120 to manage the NFC-DEP protocol.

Here are the commands and configuration parameters to prepare the NFC-DEP Target in P2P Passive hosted by the DH, for technologies NFC-A and NFC-F, through the NFC-DEP RF Interface:

**Table 64. Config. seq. for NFC-DEP/NFC-A&F Passive Target in the DH over NFC-DEP RF Intf**

Command	Main Parameters	Values
RF_DISCOVER_MAP_CMD	RF Protocol	PROTOCOL_NFC-DEP
	Mode	Listen
	RF Interface	NFC-DEP
CORE_SET_CONFIG_CMD	LA_BIT_FRAME_SDD	
	LA_PLATFORM_CONFIG	
	LA_SEL_INFO	
	LA_NFCID1	
	LF_CON_BITR_F	
	LF_PROTOCOL_TYPE	
	LN_WT	
	LF_ADV_FEAT <sup>1</sup>	
	LN_ATR_RES_GEN_BYTES	
	LN_ATR_RES_CONFIG	
RF_DISCOVER_CMD	RF Technology & Mode	NFC_A_PASSIVE_LISTEN_MODE
	RF Technology & Mode	NFC_F_PASSIVE_LISTEN_MODE

! <sup>1</sup> this parameter is not supported in PN7120

Here are the commands and configuration parameters to prepare the NFC-DEP Initiator for technologies NFC-A and NFC-F in the DH through the Frame RF Interface:



**Table 65. Config. seq. for NFC-DEP/NFC-A&F Passive Initiator in the DH over NFC-DEP RF Intf**

Command	Main Parameters	Values
RF_DISCOVER_MAP_CMD	RF Protocol	PROTOCOL_NFC-DEP
	Mode	Poll
CORE_SET_CONFIG_CMD	RF Interface	NFC-DEP
	PA_BAIL_OUT	
	PF_BIT_RATE	
	PF_RC_CODE	
	PN_NFC_DEP_SPEED	
	PN_ATR_REQ_GEN_BYTES	
	PN_ATR_REQ_CONFIG	
RF_DISCOVER_CMD	RF Technology & Mode	NFC_A_PASSIVE_POLL_MODE
	RF Technology & Mode	NFC_F_PASSIVE_POLL_MODE

**9.2 P2P Active mode**

As already mentioned in 5.2.4, the PN7120 supports all P2P active communication data rates

**9.2.1.1 Access through the Frame RF Interface**

The Frame RF interface allows the DH to emulate an NFC-DEP target or initiator in P2P Active, assuming that the DH is able to manage the NFC-DEP protocol on its own. However, the Frame RF Interface implemented in PN7120 does not support the NFC-DEP protocol. It is therefore not possible to build either a P2P Active initiator or P2P Active Target using the Frame RF Interface.

**9.2.1.2 Access through the NFC-DEP RF Interface**

The NFC-DEP RF interface allows the DH to emulate an NFC-DEP Target or Initiator in P2P Active, leaving up to the PN7120 to manage the NFC-DEP protocol.

Here are the commands and configuration parameters to prepare the NFC-DEP Target in P2P Active hosted by the DH, for technologies NFC-A and NFC-F, through the NFC-DEP RF Interface:

**Table 66. Config. seq. for NFC-DEP/NFC-A&F Active Target in the DH over NFC-DEP RF Intf**

Command	Main Parameters	Values
RF_DISCOVER_MAP_CMD	RF Protocol	PROTOCOL_NFC-DEP
	Mode	Listen
	RF Interface	NFC-DEP
CORE_SET_CONFIG_CMD	LA_BIT_FRAME_SDD	
	LA_PLATFORM_CONFIG	
	LA_SEL_INFO	
	LA_NFCID1	
	LF_CON_BITR_F	
	LF_PROTOCOL_TYPE	
	LN_WT	
	LN_ATR_RES_GEN_BYTES	
RF_DISCOVER_CMD	RF Technology & Mode	NFC_A_ACTIVE_LISTEN_MODE
	RF Technology & Mode	NFC_F_ACTIVE_LISTEN_MODE

Here are the commands and configuration parameters to prepare the NFC-DEP Initiator for technologies NFC-A and NFC-F in the DH through the Frame RF Interface:

**Table 67. Config. seq. for NFC-DEP/NFC-A&F Active Initiator in the DH over NFC-DEP RF Intf**

Command	Main Parameters	Values
RF_DISCOVER_MAP_CMD	RF Protocol	PROTOCOL_NFC-DEP
	Mode	Poll
	RF Interface	NFC-DEP
CORE_SET_CONFIG_CMD	PA_BAIL_OUT	

Command	Main Parameters	Values
	PF_BIT_RATE	
	PN_NFC_DEP_SPEED	
	PN_ATR_REQ_GEN_BYTES	
	PN_ATR_REQ_CONFIG	
RF_DISCOVER_CMD	RF Technology & Mode	NFC_A_ACTIVE_POLL_MODE
	RF Technology & Mode	NFC_F_ACTIVE_POLL_MODE

### 9.3 Presence check command

As already described in 7.1.3.3, the PN7120 comes with a proprietary function to allow the DH knowing if the Tag/Card is still present or not. The command description in →7.1.3.3 also applies in Initiator mode (Active or Passive).

## 10. RF Discovery (Polling Loop) Management

Note: the RF Discovery is the name given by the NFC FORUM [NCI].

### 10.1 RF Discovery functionalities

This contains the overall RF Discovery concepts applied in PN7120. [NCI] defines the general RF state machine allowing the NFC controller to discover either cards or readers or peers. This RF state machine contains a state called RFST\_DISCOVERY where the RF Discovery profile is applied.

In order to ensure standard compliance, the PN7120 supports 2 different RF discovery profiles:

- NFC FORUM profile: implementation of the NFC FORUM polling activity,
  - Either limited to the current technologies defined in this standardization body (NFC-A, NFC-B, NFC-F and P2P passive).
  - Or extended with the additional technologies supported by PN7120, i.e. P2P Active and ISO15693. PN7120 also offers the possibility to extend this profile by polling for both NFC-F 424 and NFC-F 212.
- EMVCo profile: mode allowing the PN7120 to be compliant to the EMVCo polling activity.

In addition to these RF profiles, the PN7120 offers a way to limit the power consumption by applying a tag detector concept. The tag detector can be seen as a precondition to enable a dedicated profile. It means that if the tag detector is triggered, the default profile is automatically started.

Note that [NCI] defines the TOTAL\_DURATION of the discovery period independently of the reader phases applied. To simplify the implementation, for the PN7120 it has been decided to apply a timer only during the Listen/pause phase. So depending on the polling phase configuration (1 technology or more), the total duration will vary a bit. This is considered as acceptable and agreed by the NCI task Force in the NFC FORUM.

#### 10.1.1 RF Discovery State Machine

The following drawing shows the [PN7120-NCI] RF state machine. It differs from [NCI] only by the additions in red. Here are these additions:

- ✓ A loop-back transition on state RFST\_POLL\_ACTIVE, corresponding to the RF\_PRES\_CHECK\_CMD which can be sent by the DH to know if the Card/PICC is still in the field. See the command description in chapter →7.1.3.3.
- ✓ A new status code used on the CORE\_GENERIC\_ERROR\_NTF loop-back transition on state RFST\_DISCOVERY: this new status code is used when PN7120 is configured to behave as an EMVCo PCD, and it detects collision. See →10.5.1.2 for more details.
- ✓ A new transition from RFST\_POLL\_ACTIVE to RFST\_DISCOVERY: this transition is triggered by PN7120, when it is configured to behave as an EMVCo PCD and it detects that the RF communication with the PICC is broken. See →10.5.1.2

Since the [NCI] RF State Machine is quite complex, it is presented slightly differently in Annex A of the present document: the State Machine is drawn depending on the RF interface to be used. See chapter →14 for further details.

! Since PN7120 does not support Listen Mode using the Frame RF Interface, it does not accept the RF\_DEACTIVATE\_CMD(Sleep Mode) or RF\_DEACTIVATE\_CMD(Discovery) in RFST\_LISTEN\_ACTIVE or RFST\_LISTEN\_SLEEP.

## 10.2 NFC FORUM Profile as defined in [NCI]

The NFC FORUM profile is the implementation of the RF discovery activity as defined in the NFC FORUM (see [ACTIVITY] specification).

[NCI] only covers technologies NFC-A, NFC-B & NFC-F. So the basic NFC FORUM profile will poll for these technologies only. Furthermore, for NFC-F, only one bit rate is used during the polling phase. This is configured thanks to the “Poll F parameter” PF\_BIT\_RATE as defined in [NCI], section 6.1.4. So the DH configures if NFC-F is polled at 212kbps or at 424kbps, before it activates the discovery by sending the RF\_DISCOVER\_CMD command.

The figure bellow represents the profile defined by the NFC FORUM, assuming that the DH has enabled the 3 technologies currently supported by the NFC FORUM (NFC-A, NFC-B, NFC-F) in Poll mode & Listen mode. To do so, it has to send the following command:

```
RF_DISCOVER_CMD(      6,  
                      [NFC_A_PASSIVE_POLL_MODE,1],  
                      [NFC_B_PASSIVE_POLL_MODE,1],  
                      [NFC_F_PASSIVE_POLL_MODE,1],  
                      [NFC_A_PASSIVE_LISTEN_MODE,1],  
                      [NFC_B_PASSIVE_LISTEN_MODE,1],  
                      [NFC_F_PASSIVE_LISTEN_MODE,1] )
```

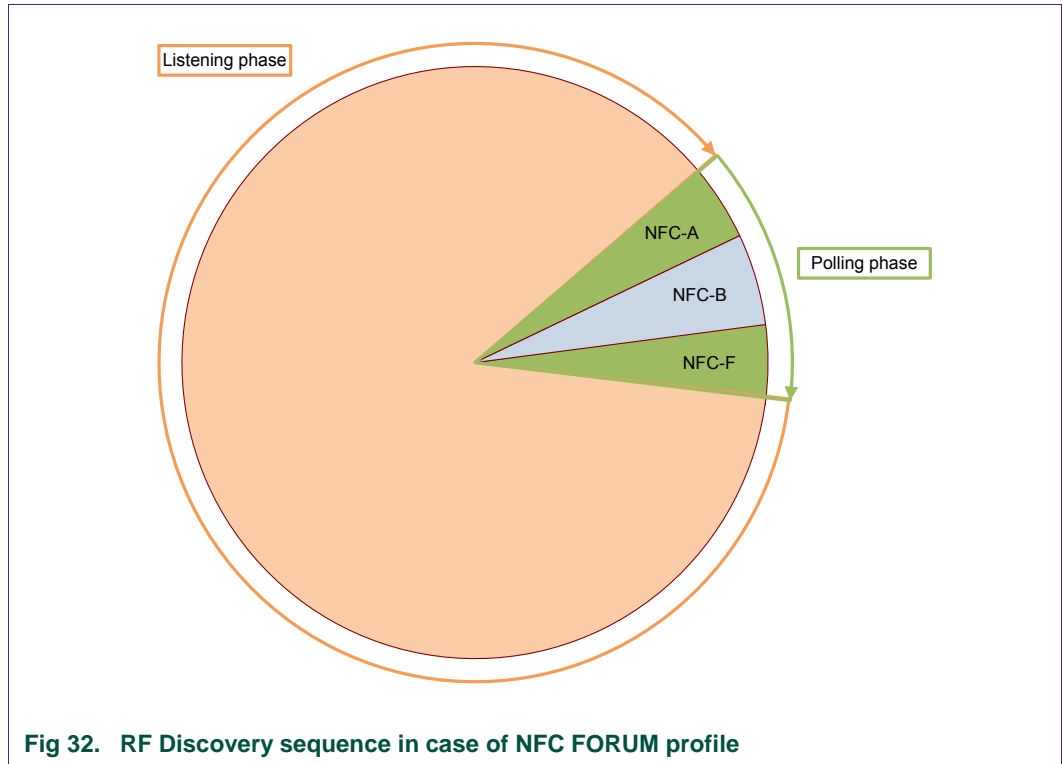


Fig 32. RF Discovery sequence in case of NFC FORUM profile

### 10.3 [PN7120-NCI] extension: additional technologies not yet supported by the NFC FORUM

PN7120 supports more technologies than currently supported by the NFC FORUM specifications: P2P Active, ISO15693 VCD and KOVIO Reader.

Furthermore, PN7120 offers an additional proprietary value for the configuration parameter PF\_BIT\_RATE, which allows configuring for both 212 kbps & 424 kbps to be polled in NFC-F in Passive Mode.

Thanks to the RF\_DISCOVER\_CMD and the PF\_BIT\_RATE, the DH has full flexibility to extend the default RF Discovery profile as currently defined in the NCI 1.0 specification. Here is an example how the DH can enable all technologies available in PN7120, for both Poll & Listen Mode:

1. The DH sets PF\_BIT\_RATE to 0x80, such that the PN7120 polls for 212 & 424 kbps in technology F PASSIVE.

```
CORE_SET_CONFIG_CMD(      NbrParam = 0x01,
                          ID = 0x18,
                          Length = 0x01,
                          Val = 0x80 )
```

2. The DH enables all technologies & modes available in PN7120:

```
RF_DISCOVER_CMD(      11,
                     [NFC_A_PASSIVE_POLL_MODE,1],
                     [NFC_B_PASSIVE_POLL_MODE,1],
                     [NFC_F_PASSIVE_POLL_MODE,1],
```

```
[NFC_15693_PASSIVE_POLL_MODE,1],  
[NFC_KOVIO_POLL_MODE,1],  
[NFC_A_ACTIVE_POLL_MODE*,1],  
[NFC_A_PASSIVE_LISTEN_MODE,1],  
[NFC_B_PASSIVE_LISTEN_MODE,1],  
[NFC_F_PASSIVE_LISTEN_MODE,1],  
[NFC_A_ACTIVE_LISTEN_MODE,1],  
[NFC_F_ACTIVE_LISTEN_MODE,1]
```

)

\* NCI\_DISCOVERY\_TYPE\_POLL\_F\_ACTIVE is not allowed, see →5.2.4.

The resulting RF discovery is drawn below (note that Kovio does not have a specific Poll Phase, since it is based on a Response only, as described in →7.1.5):

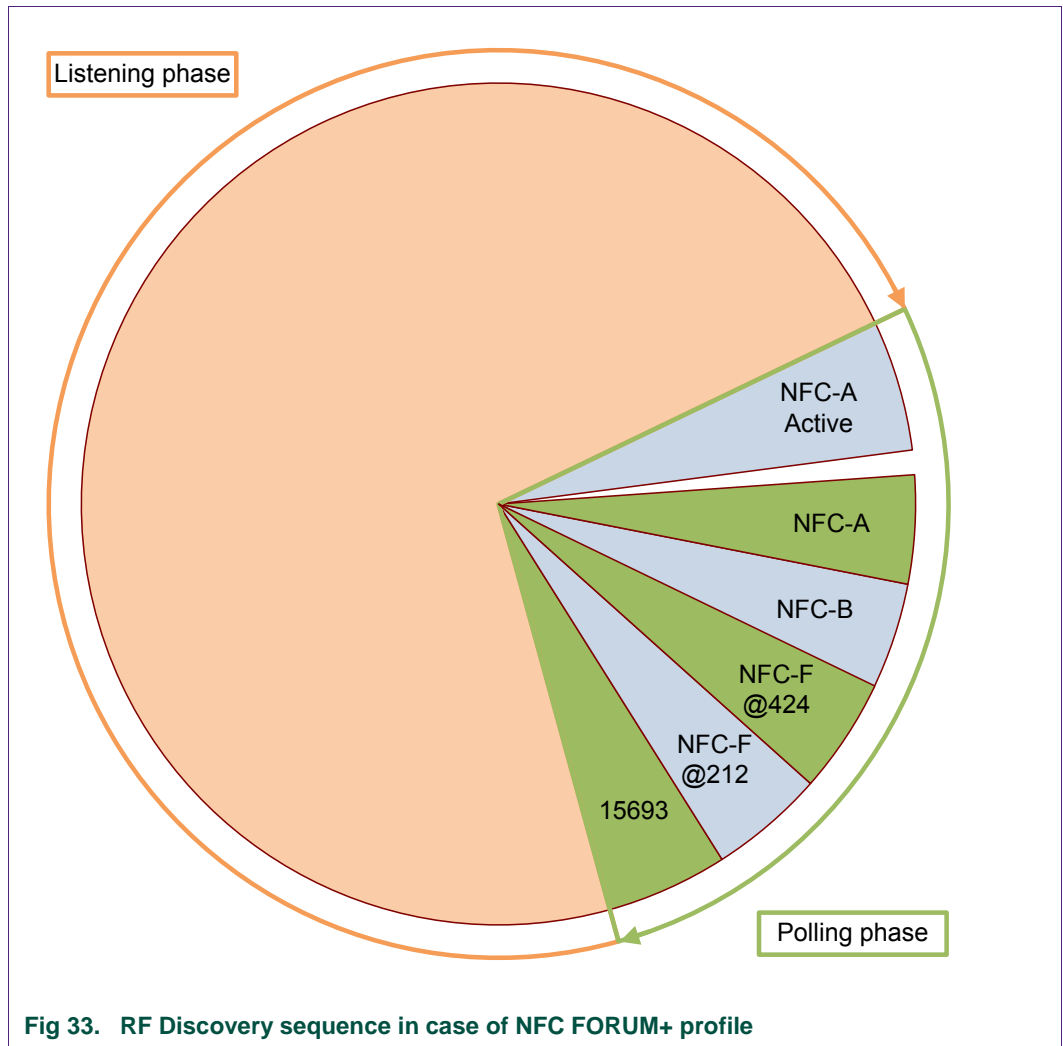


Fig 33. RF Discovery sequence in case of NFC FORUM+ profile

Note: the transition from the Poll NFC-A Active phase to the Poll NFC-A (passive) is done through an RF field OFF/ON sequence.

For more details concerning the different phases duration, guard time, Bailout, please refer to the configuration section (chapter →11.2) where all these parameters are defined.

! When the `RF_DISCOVER_CMD` does not contain the `NFC_F_PASSIVE_LISTEN_MODE` parameter, PN7120 will not accept a `SENSF_REQ` command sent by an external PCD or P2P Initiator. However, if activated in P2P target mode based on NFC-A technology, PN7120 will accept to switch from NFC-A/106kbps to NFC-F/212 or 424kbps if the initiator sends a `PSL_REQ` to change the technology & bit rate.

## 10.4 [PN7120-NCI] extension: Low Power Card Detector (LPCD) Mode

### 10.4.1 Description

The Low Power Card Detector is an NXP proprietary extension, which can be used by the DH to reduce the power consumption.

The concept is to avoid using the Technology Detection Activity as defined in [ACTIVITY], which implies to generate an RF Field for several tens of milliseconds and to send technology specific request commands to see if there is a Card/Tag in the field to respond. The more technologies the PN7120 is configured to detect, the longer the RF Field is generated and the higher the current consumption.

The LPCD is based on another concept, which only relies on the antenna characteristics, not on valid responses from a Card/Tag. Indeed, the antenna impedance is influenced by the Card/tag which may enter into its proximity, due to the magnetic coupling between the 2 antennas. The LPCD is therefore monitoring the antenna impedance, to see if there is a significant variation which is interpreted as being caused by a Card/Tag being in proximity.

To achieve that, the LPCD periodically generates very short pulses of RF Field, without any modulation, and measures some antenna characteristics during this pulse. The time between these RF pulses is defined by the `TOTAL_DURATION` parameter, as specified for the RF Discovery in [NCI].

When a Card/Tag enters the field, there is an antenna impedance variation. If this variation is higher than a pre-defined threshold, the NFC FORUM polling loop profile is automatically started (the LPCD is not supported when using EMVCo polling loop profile). The PN7120 is then sending technology specific request commands, expecting a response since the LPCD detected a change on the antenna impedance.

Note: the LPCD may also be triggered by a metal object, which can influence the Antenna impedance in a similar way as a Card/Tag. The PN7120 will anyhow detect that this object is not a contactless device since it immediately starts sending contactless commands to check if a Card/Tag can respond.

The Low Power Card Detector is configured and enabled/disabled thanks to a specific configuration parameter (`TAG_DETECTOR_CFG`) described in →11.2.1.

The threshold is also defined by an additional configuration parameter (`TAG_DETECTOR_THRESHOLD_CFG`) described in the same section.

The figure below describes the RF Discovery when the LPCD is enabled:



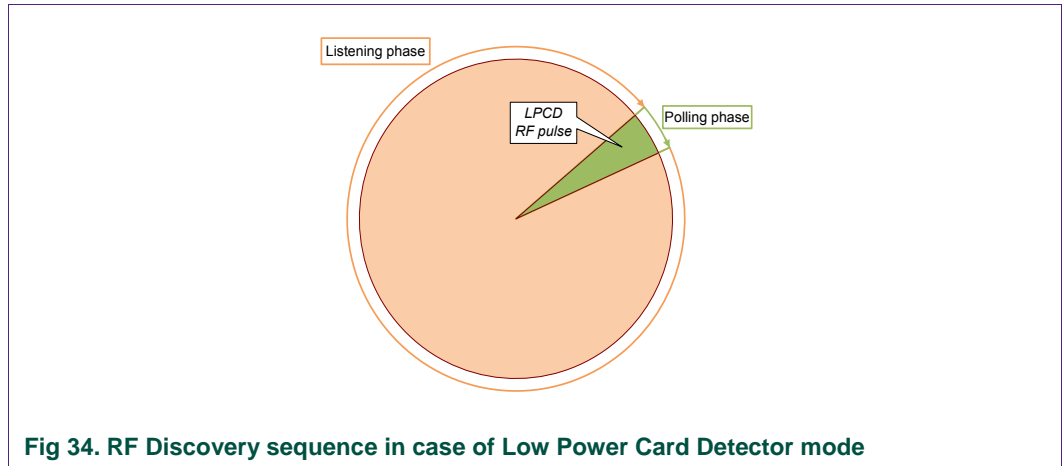


Fig 34. RF Discovery sequence in case of Low Power Card Detector mode

The figure below compares the RF Discovery with the LPCD disabled to the RF Discovery with the LPCD enabled and highlights the impact on the average current consumption (the assumption being here that TOTAL\_DURATION ~ 300ms):

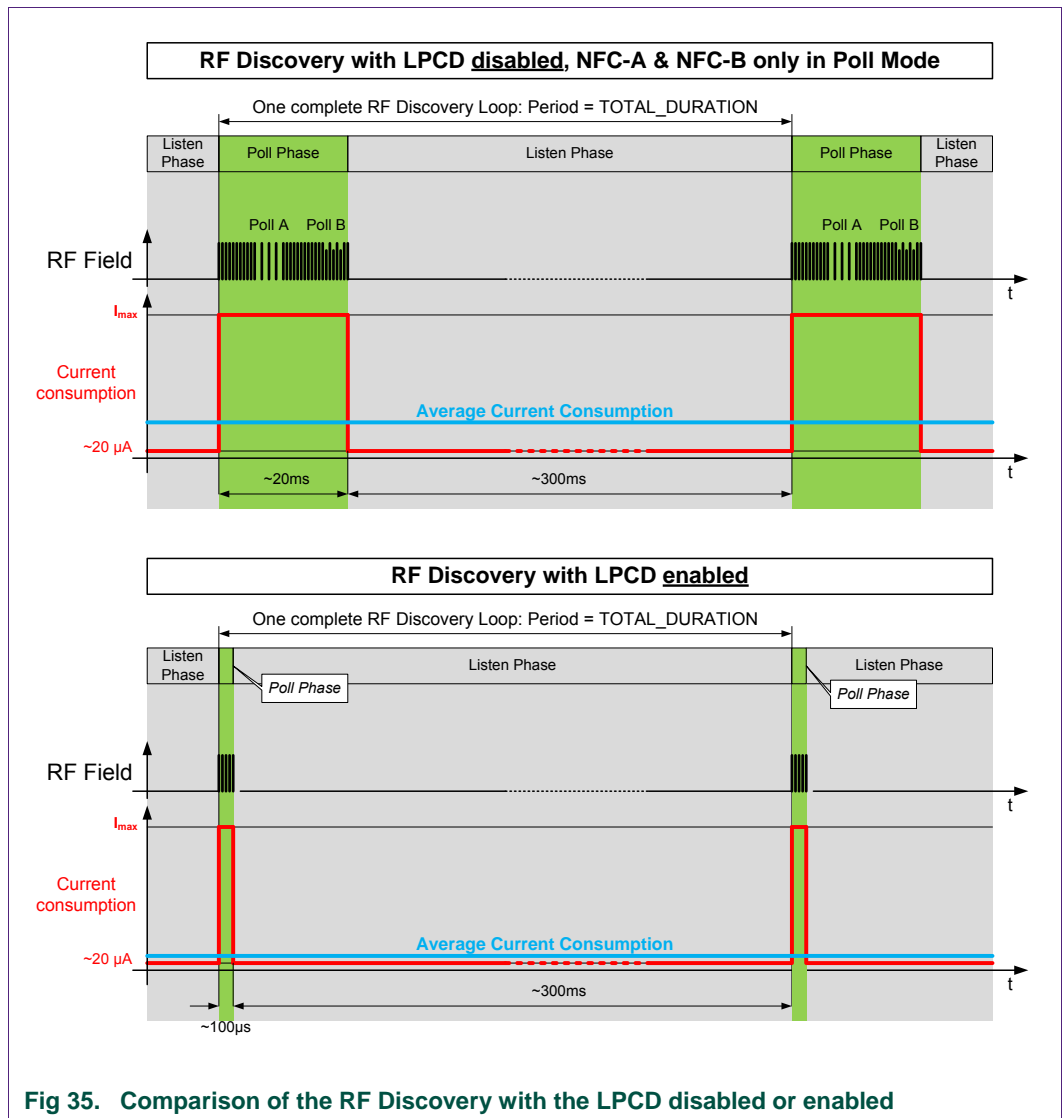


Fig 35. Comparison of the RF Discovery with the LPCD disabled or enabled

A specific application note explains how to properly configure and optimize this LPCD in a given application. See [AN 11364].

### 10.4.2 Configuration of the Technology Detection Activity when the LPCD has detected an "object"

As described in the previous chapter, once the PN7120 detects a change in the antenna impedance, it performs a Technology Detection as defined in [ACTIVITY] which tries to activate the "object" by sending Request Commands from the different technologies configured for the RF Discovery.

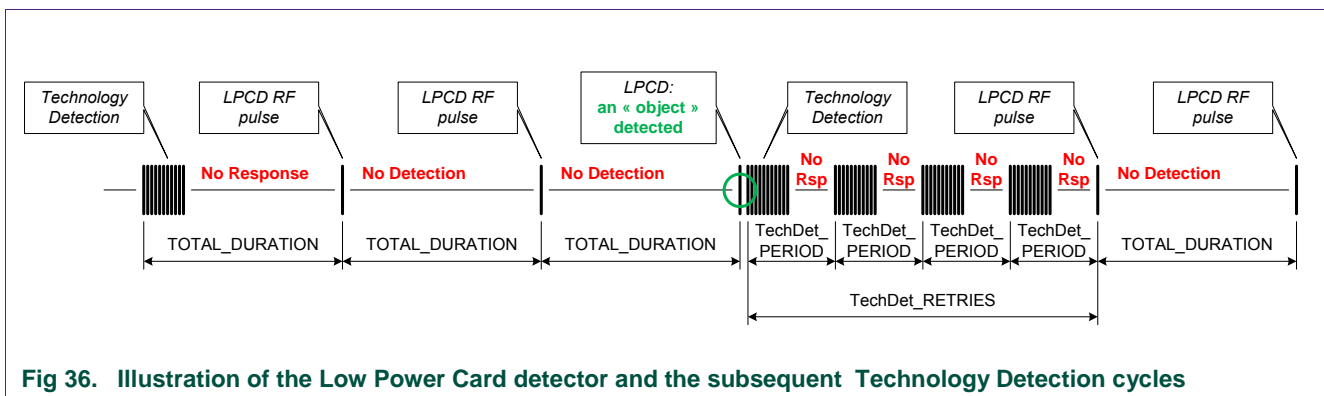
In order to improve the likelihood to catch such a Card/Tag, the PN7120 comes with a retry mechanism which performs several Technology Detection polling cycles before it switches back to LPCD.

During this retry mechanism, a temporary period is used, called **TechDet\_PERIOD**. This is specified in steps of 10ms. The number of the retry cycles can also be configured thanks to the **TechDet\_NBR\_RETRIES** parameter.

**Table 68. Parameters used to configure the overall period of the RF Discovery:**

LPCD Status	Period between 2 consecutive Technology Detections	Period between 2 consecutive LPCD RF pulses
Enabled	TechDet_PERIOD	TOTAL_DURATION
Disabled	TOTAL_DURATION	Not applicable

The next figure illustrates how these 3 parameters **TOTAL\_DURATION**, **TechDet\_PERIOD** & **TechDet\_NBR\_RETRIES** influence the Low Power Card Detector and the RF Discovery:



**Fig 36. Illustration of the Low Power Card detector and the subsequent Technology Detection cycles**

See →11.2.1 for the description of the configuration parameter called "TechDet\_AFTER\_LPCD\_CFG" which contains the 2 parameters **TechDet\_PERIOD** & **TechDet\_NBR\_RETRIES**.

### 10.4.3 Notification when the Trace Mode is enabled

The Low Power Card Detector needs to be tuned in each application; it is therefore useful to get some information from PN7120 so that the Low Power Card Detector can be appropriately configured.

**!** This mode is to be used only during calibration phase of the LPCD, see [AN 11364].

The Low Power Card Detector can be configured to enable a Trace Mode, where the following Notification will be sent to the DH by PN7120:

**Table 69. RF\_LPCD\_TRACE\_NTF**

GID	OID	Numbers of parameter(s)	Description
1111b	0x13	2	PN7120 sends the actual measurement + the threshold

**Table 70. RF\_LPCD\_TRACE\_NTF parameters**

Payload Field(s)	Length	Value/Description
Reference Value	2 Octets	Reference Value used by Low Power Card Detector function to compare with the measurement value. Coding is little Endian.
Measurement Value	2 Octets	Value measured on the AGC. Coding is little Endian.

## 10.5 [PN7120-NCI] extension: EMVCo Profile in Poll & Listen Modes

The EMVCo profiles are introduced in PN7120 for EMVCo compliancy. Indeed there are incompatibilities between the RF Discovery activity as defined in the NFC FORUM and the RF discovery defined in EMVCo standard.

### 10.5.1 EMVCo profile in Poll Mode

#### 10.5.1.1 Configuring PN7120 to implement the EMVCo polling loop profile

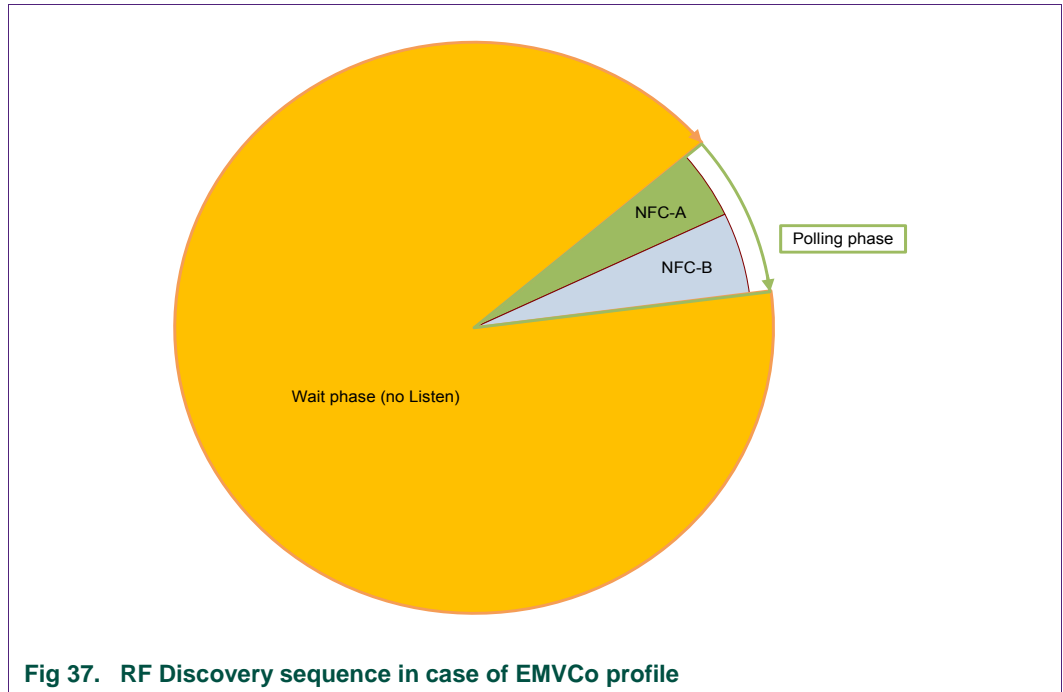
To be compliant to the EMVCo certification tests, the RF Discovery has to be configured so that only NFC-A and NFC-B are supported in Poll phase and so that there is no Listen phase. So the DH has to send the following command:

```
RF_DISCOVER_CMD(      2,
                    [NCI_DISCOVERY_TYPE_POLL_A_PASSIVE,1],
                    [NCI_DISCOVERY_TYPE_POLL_B_PASSIVE,1])
```

In addition, PN7120 needs to be aware of the fact that it has to behave according to the EMVCo RF discovery, not according to the NFC FORUM RF discovery based on [ACTIVITY].

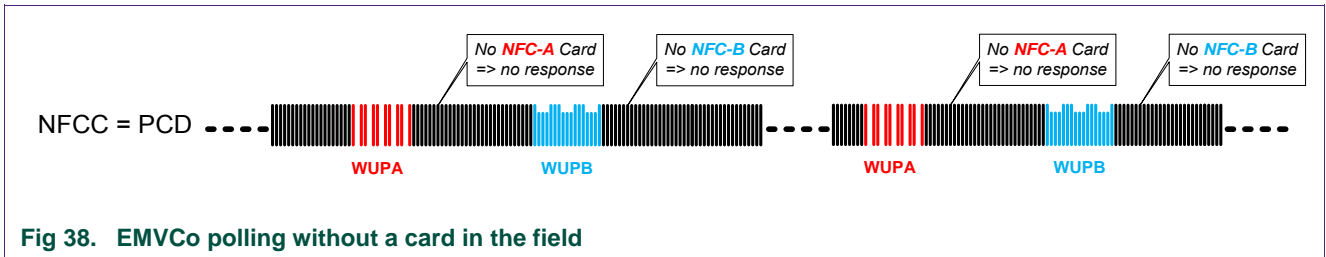
A specific configuration parameter is defined for that purpose. It allows selecting which profile is active during the RF discovery in Poll Mode. This parameter (POLL\_PROFILE\_SEL\_CFG) is detailed in section 11.2.1.

When this parameter is set to 0x01, PN7120 implements a specific discovery algorithm, compliant to the EMVCo standard. The target is to ensure that there is one single card in the field. So PN7120 has to detect any collision inside 1 technology (NFC-A or NFC-B) or to detect if there are multiple cards based on different technologies (i.e 1 card in NFC-A and 1 card in NFC-B).



If there is a card detected in the field, then the polling sequence is modified by the PN7120, in order to look for another potential card in the field. This is illustrated by the 2 figures below:

- On the 1<sup>st</sup> one, there is no card in the RF Field, so PN7120 keeps polling by alternating WUPA & WUPB commands.



- On the 2<sup>nd</sup> one, an NFC-A card is placed in the RF Field. The PN7120 detects it, activates it and puts it in HALT state and then looks for a potential NFC-B card in the field. Since there is no NFC-B card in the field, the PN7120 activates the NFC-A card again, then the PN7120 activates the ISO-DEP interface and the DH can start to exchange data with the NFC-A card to proceed with the payment application.

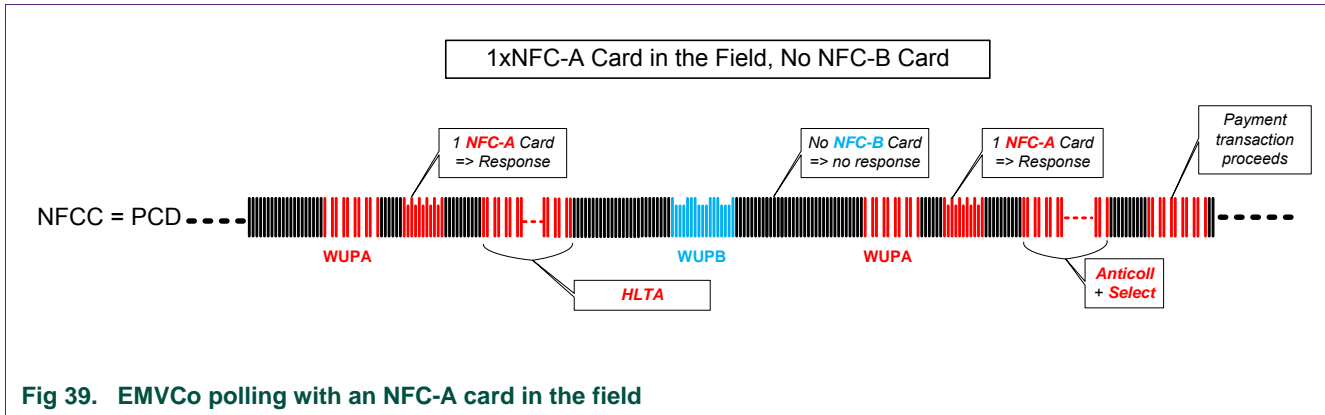


Fig 39. EMVCo polling with an NFC-A card in the field

**!** In PN7120 the Low Power Card Detector is automatically disabled when the EMVCo profile is enabled, since these 2 features are conflicting if simultaneously enabled.

**10.5.1.2 Notification for RF technology collision**

When the EMVCo polling loop profile is activated, PN7120 will activate the ISO-DEP RF Interface through RF\_INTF\_ACTIVATED\_NTF only when there is 1 single card in the field, whatever the technology (NFC-A or NFC-B).

When PN7120 detects a collision on RF (either in one technology or between technologies), it will report a special Status in the CORE\_GENERIC\_ERROR\_NTF: STATUS\_EMVCo\_PCD\_COLLISION. The current state will remain RFST\_DISCOVERY, as graphically described in →10.1.1. The identifier of this proprietary Status is defined in →5.3.7. Note that if the cards remain in the RF Field, PN7120 will keep sending the CORE\_GENERIC\_ERROR\_NTF(STATUS\_EMVCo\_PCD\_COLLISION) at each polling loop: this can be used as a presence check mechanism.

When the EMVCo profile for Poll Mode is activated and PN7120 has detected a single PICC (i.e. no collision) but it is unable to properly activate this PICC, then PN7120 will send a CORE\_GENERIC\_ERROR\_NTF(DISCOVERY\_TARGET\_ACTIVATION\_FAILED) as defined in [NCI].

**10.5.1.3 Modification of the NCI RF State Machine in case of failure during data exchange**

When the EMVCo profile for Poll Mode is activated, the PN7120 has to comply with tight timings verified during the EMVCo PCD certification. In case the RF link with the PICC is broken, the regular way to behave according to NCI is that the PN7120 will detect a timeout or an unrecoverable protocol error and send then a CORE\_INTERFACE\_ERROR\_NTF with the appropriate status. It is then up to the DH to stop the RF Discovery with RF\_DEACTIVATE\_CMD(IDLE) and to restart the RF Discovery with RF\_DISCOVER\_CMD. Unfortunately the time required to execute this sequence is highly dependent on the DH latency and it is often not possible to match the timings expected and checked by the EMVCo PCD certification.

To solve this issue, NXP has decided to add a transition from the RFST\_POLL\_ACTIVE to RFST\_DISCOVERY, triggered by the sending of the RF\_DEACTIVATE\_NTF(Discovery, Link Loss). In such a way, when PN7120 has detected a timeout or an unrecoverable protocol error during the RF communication with

the PICC, it will autonomously come back to RFST\_DISCOVERY, switching OFF the RF Field, as requested by EMVCo and then restarting the Polling phase in a timely manner, as requested by EMVCo.

This new transition is graphically described in →10.1.1.

**10.5.1.4 Deactivation procedures as requested by EMVCo 2.3.1 (or later)**

Since the introduction of EMVCo PCD 2.3.1, two different deactivation procedures of the card are required:

- Removal Procedure: already part of EMVCo PCD 2.2,
- Power OFF : introduced as new requirement in EMVCo PCD 2.3.1

The two deactivation procedures are exclusive, and the selection has to be done by the PCD. So the DH has to configure PN7120 for one or the other behavior.

The way to select the EMVCo deactivation type is done via the proprietary configuration parameter POLL\_PROFILE\_SEL\_CFG (see →11.2.1). NCI defines two different ways to deactivate a card when in RFST\_POLL\_ACTIVE: move back to either the RFST\_IDLE through the RF\_DEACTIVATE\_CMD(IDLE) or to the RFST\_DISCOVERY through the RF\_DEACTIVATE\_CMD(DISCOVERY).

The POLL\_PROFILE\_SEL\_CFG parameter comes therefore with 2 configuration bits, one for each deactivation option defined in NCI:

- Bit 1 of POLL\_PROFILE\_SEL\_CFG is linked to RF\_DEACTIVATE\_CMD(IDLE)
- Bit 2 of POLL\_PROFILE\_SEL\_CFG is linked to RF\_DEACTIVATE\_CMD(DISCOVERY)

For each bit (Bit 1 or Bit 2):

- If set to '0': the Removal procedure is used
- If set to '1': the Power OFF procedure is used

**Table 71. Action in POLL\_ACTIVE depending on POLL\_PROFILE\_SEL\_CFG and on the NCI RF\_DEACTIVATE\_CMD**

	POLL_PROFILE_SEL_CFG			
	Bit 1 = '0'	Bit 1 = '1'	Bit 2 = '0'	Bit 2 = '1'
RF_DEACTIVATE_CMD(IDLE)	Removal on RF then RFST_IDLE	Power OFF on RF then RFST_IDLE	No impact	No Impact
RF_DEACTIVATE_CMD(DISCOVERY)	No Impact	No Impact	Removal on RF then RFST_DISCOVERY	Power OFF on RF then RFST_DISCOVERY

**10.5.2 EMVCo profile in Listen Mode**

**10.5.2.1 Configuring PN7120 to behave as a single EMVCo card in Listen**

To be compliant to the EMVCo certification tests emulating an EMVCo PICC, PN7120 has to behave as a single PICC based on either technology NFC-A or NFC-B.

In order to solve this issue, PN7120 comes with a specific configuration parameter: LISTEN\_PROFILE\_SEL\_CFG, detailed in section 11.2.2.

Thanks to this parameter, a specific EMVCo PICC profile can be activated such that PN7120 will “hide” the non-yet-selected technology to the EMVCo PCD. Once this parameter is activated, the PICC selection sequence is as follows (assuming NFC-A is selected first):

- Once NFC-A has been selected by the PCD through the REQA command, PN7120 disables the NFC-B card emulation so that the REQB command sent later on by the EMVCo PCD gets no answer.
- The payment transaction can then successfully go through based on technology NFC-A.
- PN7120 waits then for an RF Field OFF/Field ON sequence before enabling the non-selected technology (NFC-B) again.

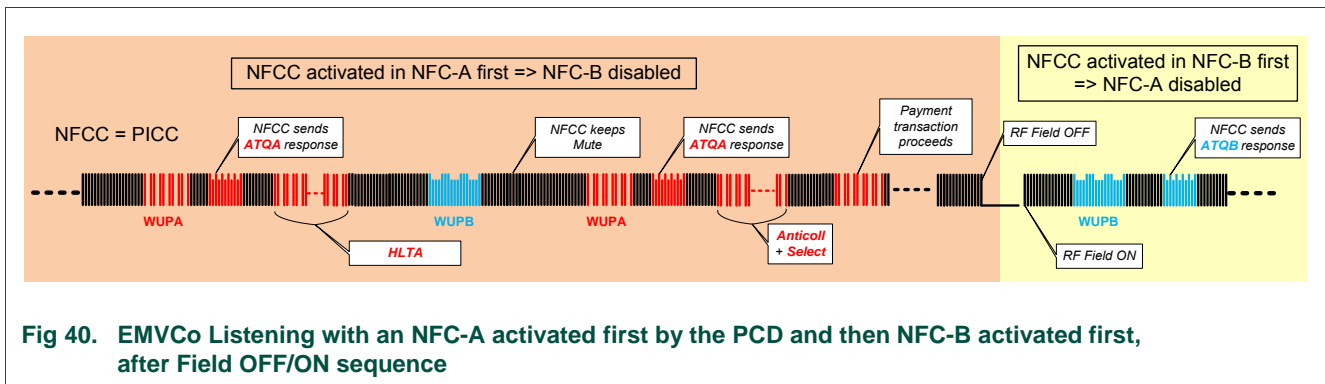


Fig 40. EMVCo Listening with an NFC-A activated first by the PCD and then NFC-B activated first, after Field OFF/ON sequence

### 10.6 [PN7120-NCI] extension: Power optimization

PN7120 offers a standby mode, which can be activated together with the RF Discovery, such that the overall power consumption is significantly reduced.

One dedicated proprietary function is added to enable/disable this standby mode: CORE\_SET\_POWER\_MODE.

#### 10.6.1 CORE\_SET\_POWER\_MODE Command/Response

**!** The Standby Mode is enabled by default. Given the very strong impact on the power consumption, disabling the Standby Mode should be restricted to debug sessions.

Table 72. CORE\_SET\_POWER\_MODE\_CMD

GID	OID	Numbers of parameter(s)	Description
1111b	0x00	1	Command to request the PN7120 to enable/disable the Standby Mode

**Table 73. CORE\_SET\_POWER\_MODE\_CMD parameter**

Payload Field(s)	Length	Value/Description
Mode	1 Octet	
		0x00 Standby Mode disabled
		0x01 Standby Mode enabled
		0x03-0xFF RFU

**Table 74. CORE\_SET\_POWER\_MODE\_RSP**

GID	OID	Numbers of parameter(s)	Description
1111b	0x00	1	Response to inform the DH of the status of the CORE_SET_POWER_MODE_CMD.

**Table 75. CORE\_SET\_POWER\_MODE\_RSP parameter**

Payload Field(s)	Length	Value/Description
Status	1 Octet	
		0x00 STATUS_OK
		0x06 STATUS_SEMANTIC_ERROR
		0x09 STATUS_INVALID_PARAM
		Others Forbidden



## 11. Configurations

! When the DH needs to update the value of the parameters described hereafter, it shall send a CORE\_RESET\_CMD/CORE\_INIT\_CMD sequence after the CORE\_SET\_CONFIG\_CMD, to ensure that the new value is used for the parameters.

If numerous parameters are updated thanks to multiple CORE\_SET\_CONFIG\_CMDs, a single CORE\_RESET\_CMD/CORE\_INIT\_CMD sequence is enough after the last CORE\_SET\_CONFIG\_CMD.

! Any CORE\_SET\_CONFIG\_CMD to one of the following parameters or to the [NCI] standard parameters will trigger an EEPROM write cycle. Since the PN7120 EEPROM has a limited number of Erase/Write cycles (300 000), it is highly recommended to only use the CORE\_SET\_CONFIG\_CMD during the NCI initialization sequence.

### 11.1 [PN7120-NCI] extension: System configurations

PN7120 offers several parameters used to configure the system aspects.

**Table 76. Core configuration parameters**

Name & Rights	Description	Ext. Tag	Len.	Default Value						
CLOCK_REQUEST_CFG	Indicates how the clock is requested to the DH by the PN7120.	0xA0 0x02	1	0x01						
<i>RW in E<sup>2</sup>PROM</i>	<table border="1"> <tr> <td>0x00</td> <td>Clock Request is disabled</td> </tr> <tr> <td>0x01</td> <td>Hardware-based Clock Request is enabled: CLKREQ pin set to high when clock requested, otherwise it is set to hi-Z (High Impedance).</td> </tr> <tr> <td>0x02-0xFF</td> <td>RFU</td> </tr> </table>	0x00	Clock Request is disabled	0x01	Hardware-based Clock Request is enabled: CLKREQ pin set to high when clock requested, otherwise it is set to hi-Z (High Impedance).	0x02-0xFF	RFU			
0x00	Clock Request is disabled									
0x01	Hardware-based Clock Request is enabled: CLKREQ pin set to high when clock requested, otherwise it is set to hi-Z (High Impedance).									
0x02-0xFF	RFU									

Name & Rights	Description	Ext. Tag	Len.	Default Value																																													
CLOCK_SEL_CFG <i>RW in E<sup>2</sup>PROM</i>	Input Clock selection & configuration for the internal 13.56MHz CLOCK	0xA0 0x03	1	0x11  (see Note)																																													
	<table border="1"> <thead> <tr> <th>Bits [4:3]</th> <th>Clk Source</th> <th>Description</th> </tr> </thead> <tbody> <tr> <td>01b</td> <td>XTAL</td> <td>A 27.12MHz quartz has to be connected to PN7120</td> </tr> <tr> <td>10b</td> <td>PLL</td> <td>A clean clock signal has to be directly provided on the Clock pad (bits [2:0] have to be configured in addition to specify the clock value, see the table below)</td> </tr> <tr> <td>11b</td> <td>RFU</td> <td></td> </tr> <tr> <td>00b</td> <td>RFU</td> <td></td> </tr> </tbody> </table> <p>When the PLL is used, the bits [2:0] have to be configured according to the following table, depending on the clock provided to PN7120!</p> <table border="1"> <thead> <tr> <th>Bits [2:0]</th> <th>Clk In</th> </tr> </thead> <tbody> <tr> <td>000b</td> <td>13.0 MHz</td> </tr> <tr> <td>001b</td> <td>19.2 MHz</td> </tr> <tr> <td>010b</td> <td>24 MHz</td> </tr> <tr> <td>011b</td> <td>26.0 MHz</td> </tr> <tr> <td>100b</td> <td>38.4 MHz</td> </tr> <tr> <td>101b</td> <td>52 MHz</td> </tr> <tr> <td>110b-111b</td> <td>RFU</td> </tr> </tbody> </table>	Bits [4:3]	Clk Source	Description	01b	XTAL	A 27.12MHz quartz has to be connected to PN7120	10b	PLL	A clean clock signal has to be directly provided on the Clock pad (bits [2:0] have to be configured in addition to specify the clock value, see the table below)	11b	RFU		00b	RFU		Bits [2:0]	Clk In	000b	13.0 MHz	001b	19.2 MHz	010b	24 MHz	011b	26.0 MHz	100b	38.4 MHz	101b	52 MHz	110b-111b	RFU																	
Bits [4:3]	Clk Source	Description																																															
01b	XTAL	A 27.12MHz quartz has to be connected to PN7120																																															
10b	PLL	A clean clock signal has to be directly provided on the Clock pad (bits [2:0] have to be configured in addition to specify the clock value, see the table below)																																															
11b	RFU																																																
00b	RFU																																																
Bits [2:0]	Clk In																																																
000b	13.0 MHz																																																
001b	19.2 MHz																																																
010b	24 MHz																																																
011b	26.0 MHz																																																
100b	38.4 MHz																																																
101b	52 MHz																																																
110b-111b	RFU																																																
CLOCK_TO_CFG <i>RW in E<sup>2</sup>PROM</i>	Indicates the timeout value to be used for clock request acknowledgment (from 1.53ms to 10ms in steps of 330µs). So the actual Time Out value (in µs) is given by the following formula: TimeOut (µs) = 1200 + (CLOCK_TO_CFG)*330 <b>!! Value 0x00 SHALL NOT be used, otherwise there is no timeout (infinite wait time).</b>	0xA0 0x04	1	0x01																																													
IRQ_POLARITY_CFG <i>RW in E<sup>2</sup>PROM</i>	Configuration of the IRQ pin polarity	0xA0 0x05	1	0x00  (see Note)																																													
	<table border="1"> <thead> <tr> <th colspan="8">Bit Mask</th> <th>Description</th> </tr> <tr> <th>b7</th> <th>b6</th> <th>b5</th> <th>b4</th> <th>b3</th> <th>b2</th> <th>b1</th> <th>b0</th> <th></th> </tr> </thead> <tbody> <tr> <td></td> <td></td> <td></td> <td>X</td> <td></td> <td></td> <td></td> <td></td> <td>I<sup>2</sup>C transport fragmentation '1' =&gt; enabled, '0'=&gt; disabled</td> </tr> <tr> <td></td> <td></td> <td></td> <td></td> <td></td> <td></td> <td>X</td> <td></td> <td>IRQ PIN polarity config.</td> </tr> <tr> <td>0</td> <td>0</td> <td>0</td> <td></td> <td>0</td> <td>0</td> <td></td> <td>0</td> <td>All these bits SHALL be set to logical '0' (RFU)</td> </tr> </tbody> </table> <p>b1='0' =&gt; PN7120 requests to transmit when IRQ pin = '1'. b1='1' =&gt; PN7120 requests to transmit when IRQ pin = '0'.</p>	Bit Mask								Description	b7	b6	b5	b4	b3	b2	b1	b0					X					I <sup>2</sup> C transport fragmentation '1' => enabled, '0'=> disabled							X		IRQ PIN polarity config.	0	0	0		0	0		0	All these bits SHALL be set to logical '0' (RFU)			
Bit Mask								Description																																									
b7	b6	b5	b4	b3	b2	b1	b0																																										
			X					I <sup>2</sup> C transport fragmentation '1' => enabled, '0'=> disabled																																									
						X		IRQ PIN polarity config.																																									
0	0	0		0	0		0	All these bits SHALL be set to logical '0' (RFU)																																									

Name & Rights	Description	Ext. Tag	Len.	Default Value																																																																								
VBAT_MONITOR_EN_CFG <i>RW in E<sup>2</sup>PROM</i>	To Enable/Disable the Battery monitor & configure the Threshold	0xA0 0x06	1	0x00																																																																								
	<table border="1"> <thead> <tr> <th colspan="8">Bit Mask</th> <th>Description</th> </tr> <tr> <th>b7</th> <th>b6</th> <th>b5</th> <th>b4</th> <th>b3</th> <th>b2</th> <th>b1</th> <th>b0</th> <th></th> </tr> </thead> <tbody> <tr> <td></td> <td></td> <td></td> <td></td> <td></td> <td></td> <td></td> <td>X</td> <td>Vbat Monitor Enable</td> </tr> <tr> <td></td> <td></td> <td></td> <td></td> <td></td> <td></td> <td>X</td> <td></td> <td>Vbat Monitor Threshold</td> </tr> <tr> <td>0</td> <td>0</td> <td>0</td> <td>0</td> <td>0</td> <td>0</td> <td></td> <td></td> <td>RFU</td> </tr> </tbody> </table> <p>b0: '1' to Enable, '0' to disable. b1: '1' to set the threshold to 2.3V and '0' to set it to 2.75V.</p>	Bit Mask								Description	b7	b6	b5	b4	b3	b2	b1	b0									X	Vbat Monitor Enable							X		Vbat Monitor Threshold	0	0	0	0	0	0			RFU																														
Bit Mask								Description																																																																				
b7	b6	b5	b4	b3	b2	b1	b0																																																																					
							X	Vbat Monitor Enable																																																																				
						X		Vbat Monitor Threshold																																																																				
0	0	0	0	0	0			RFU																																																																				
VEN_CFG <i>RW in E<sup>2</sup>PROM</i>	Configures the internal VEN signal, in case the VEN pin driver is supplied from PVDD. In such a case, when PVDD is switched OFF, the VEN pin level is unknown, so the internal VEN signal is defined by one bit in an internal register (VEN_Value) while the VEN pin has to be pulled-down (to avoid leakages) thanks to a 2 <sup>nd</sup> bit in the same register (VEN_Pulld) which has then to be set to '1' to activate the Pull Down. These 2 bits can be configured through NCI thanks to VEN_CFG LSbits, according to the following table:	0xA0 0x07	1	0x03																																																																								
	<table border="1"> <thead> <tr> <th colspan="8">Bit Mask</th> <th>Description</th> </tr> <tr> <th>b7</th> <th>b6</th> <th>b5</th> <th>b4</th> <th>b3</th> <th>b2</th> <th>b1</th> <th>b0</th> <th></th> </tr> </thead> <tbody> <tr> <td></td> <td></td> <td></td> <td></td> <td></td> <td></td> <td></td> <td>X</td> <td>VEN_Value</td> </tr> <tr> <td></td> <td></td> <td></td> <td></td> <td></td> <td></td> <td>X</td> <td></td> <td>VEN_Pulld</td> </tr> <tr> <td>0</td> <td>0</td> <td>0</td> <td>0</td> <td>0</td> <td>0</td> <td></td> <td></td> <td>RFU</td> </tr> </tbody> </table>	Bit Mask								Description	b7	b6	b5	b4	b3	b2	b1	b0									X	VEN_Value							X		VEN_Pulld	0	0	0	0	0	0			RFU																														
Bit Mask								Description																																																																				
b7	b6	b5	b4	b3	b2	b1	b0																																																																					
							X	VEN_Value																																																																				
						X		VEN_Pulld																																																																				
0	0	0	0	0	0			RFU																																																																				
TO_BEFORE_STDBY_CFG <i>RW in E<sup>2</sup>PROM</i>	Timeout used to wait after last DH-NFCEE communication before going into standby (from 0 to 65.536s in steps of 1ms). Applies only when the discovery is stopped and standby mode is activated by SET_PWR_MODE_CMD.	0xA0 0x09	2	0x03E8 =1000 (1s)																																																																								
PAD_SLEW_RATE_CFG <i>RW in E<sup>2</sup>PROM</i>	Parameter used to configure the slew rate of the pads, on a per pad basis:	0xA0 0x0A	1	0x00																																																																								
	<table border="1"> <thead> <tr> <th colspan="8">Bit Mask</th> <th>Description</th> </tr> <tr> <th>b7</th> <th>b6</th> <th>b5</th> <th>b4</th> <th>b3</th> <th>b2</th> <th>b1</th> <th>b0</th> <th></th> </tr> </thead> <tbody> <tr> <td></td> <td></td> <td></td> <td></td> <td></td> <td></td> <td></td> <td>X</td> <td>PWR_REQ</td> </tr> <tr> <td></td> <td></td> <td></td> <td></td> <td></td> <td></td> <td>X</td> <td></td> <td>CLK_REQ</td> </tr> <tr> <td></td> <td></td> <td></td> <td></td> <td></td> <td>X</td> <td></td> <td></td> <td>IRQ</td> </tr> <tr> <td></td> <td></td> <td></td> <td>X</td> <td></td> <td></td> <td></td> <td></td> <td>SPI_MISO</td> </tr> <tr> <td></td> <td></td> <td></td> <td></td> <td>X</td> <td></td> <td></td> <td></td> <td>SWDIO (HVQFN package only)</td> </tr> <tr> <td>0</td> <td>0</td> <td>0</td> <td></td> <td></td> <td></td> <td></td> <td></td> <td>RFU</td> </tr> </tbody> </table> <p>For each of the pads, '1' =&gt; fast slew rate, '0' =&gt; slow slew rate.</p>	Bit Mask								Description	b7	b6	b5	b4	b3	b2	b1	b0									X	PWR_REQ							X		CLK_REQ						X			IRQ				X					SPI_MISO					X				SWDIO (HVQFN package only)	0	0	0						RFU			(see Note)
Bit Mask								Description																																																																				
b7	b6	b5	b4	b3	b2	b1	b0																																																																					
							X	PWR_REQ																																																																				
						X		CLK_REQ																																																																				
					X			IRQ																																																																				
			X					SPI_MISO																																																																				
				X				SWDIO (HVQFN package only)																																																																				
0	0	0						RFU																																																																				
RF_TRANSITION_CFG <i>RW in E<sup>2</sup>PROM</i>	TLV parameter to configure the RF transitions: see chapter →11.3	0xA0 0x0D	N/A	N/A																																																																								

Name & Rights	Description	Ext. Tag	Len.	Default Value																																													
PMU_CFG <i>RW in E<sup>2</sup>PROM</i>	Configuration of the Power Management Unit (PMU)	0xA0 0x0E	1	0x00																																													
	<table border="1"> <thead> <tr> <th colspan="8">Bit Mask</th> <th>Description</th> </tr> <tr> <th>b7</th> <th>b6</th> <th>b5</th> <th>b4</th> <th>b3</th> <th>b2</th> <th>b1</th> <th>b0</th> <th></th> </tr> </thead> <tbody> <tr> <td></td> <td></td> <td></td> <td></td> <td></td> <td></td> <td>X</td> <td></td> <td>DC-DC in Reader Mode</td> </tr> <tr> <td></td> <td></td> <td></td> <td></td> <td></td> <td>X</td> <td></td> <td></td> <td>DC-DC in Card Mode</td> </tr> <tr> <td>0</td> <td>0</td> <td>0</td> <td>0</td> <td>0</td> <td></td> <td></td> <td>0</td> <td>RFU</td> </tr> </tbody> </table> <p>b1 &amp; b2: '1' =&gt; Enabled, '0' =&gt; Disabled.</p>	Bit Mask								Description	b7	b6	b5	b4	b3	b2	b1	b0								X		DC-DC in Reader Mode						X			DC-DC in Card Mode	0	0	0	0	0			0	RFU			
Bit Mask								Description																																									
b7	b6	b5	b4	b3	b2	b1	b0																																										
						X		DC-DC in Reader Mode																																									
					X			DC-DC in Card Mode																																									
0	0	0	0	0			0	RFU																																									
DH_EEPROM_AREA_1 <i>RW in E<sup>2</sup>PROM</i>	32-Byte EEPROM area dedicated to the DH to store/retrieve non-volatile data. The 32 Bytes have to be read (CORE_GET_CONFIG_CMD) or written (CORE_SET_CONFIG_CMD) is a row: it is not possible to access only a subset of these 32 Bytes.	0xA0 0x0F	32																																														
PLL_XTAL_CFG <i>RW in E<sup>2</sup>PROM</i>	Parameter used to configure either the XTAL oscillator or the PLL, depending on the value of CLOCK_SEL_CFG: If the XTAL is used (Bits [4:3] = 01b in CLOCK_SEL_CFG)	0xA0 0x11	4	0xCD 67 22 01																																													
	<table border="1"> <thead> <tr> <th>Byte</th> <th>Description</th> <th>Recommended default values</th> </tr> </thead> <tbody> <tr> <td>0</td> <td>XTAL kick time in <math>\mu</math>s</td> <td>0x14</td> </tr> <tr> <td>1</td> <td>XTAL start time in <math>\mu</math>s (LSB)</td> <td>0xB8</td> </tr> <tr> <td>2</td> <td>XTAL start time in <math>\mu</math>s (MSB)</td> <td>0x0B</td> </tr> <tr> <td>3</td> <td>XTAL stop time in <math>\mu</math>s</td> <td>0x14</td> </tr> </tbody> </table> <p>(PLL recom. Default values) (see Note)</p> <p>If the PLL is used (Bits [4:3] = 10b in CLOCK_SEL_CFG)</p> <table border="1"> <thead> <tr> <th>Byte</th> <th>Description</th> <th>Recommended default values</th> </tr> </thead> <tbody> <tr> <td>0</td> <td>Delay between disable and enable</td> <td>0xCD</td> </tr> <tr> <td>1</td> <td>lock loop iterations</td> <td>0x67</td> </tr> <tr> <td>2</td> <td>lock time for PLL2 (PLL1 bypassed)</td> <td>0x22</td> </tr> <tr> <td>3</td> <td>lock time for PLL1 and PLL2</td> <td>0x01</td> </tr> </tbody> </table>	Byte	Description	Recommended default values	0	XTAL kick time in $\mu$ s	0x14	1	XTAL start time in $\mu$ s (LSB)	0xB8	2	XTAL start time in $\mu$ s (MSB)	0x0B	3	XTAL stop time in $\mu$ s	0x14	Byte	Description	Recommended default values	0	Delay between disable and enable	0xCD	1	lock loop iterations	0x67	2	lock time for PLL2 (PLL1 bypassed)	0x22	3	lock time for PLL1 and PLL2	0x01																		
Byte	Description	Recommended default values																																															
0	XTAL kick time in $\mu$ s	0x14																																															
1	XTAL start time in $\mu$ s (LSB)	0xB8																																															
2	XTAL start time in $\mu$ s (MSB)	0x0B																																															
3	XTAL stop time in $\mu$ s	0x14																																															
Byte	Description	Recommended default values																																															
0	Delay between disable and enable	0xCD																																															
1	lock loop iterations	0x67																																															
2	lock time for PLL2 (PLL1 bypassed)	0x22																																															
3	lock time for PLL1 and PLL2	0x01																																															
TVDD_CFG <i>RW in E<sup>2</sup>PROM</i>	Configuration of the Transmitter Power Supply (TVDD)	0xA0 0x13	1	0x00																																													
	<table border="1"> <thead> <tr> <th colspan="8">Bit Mask</th> <th>Description</th> </tr> <tr> <th>b7</th> <th>b6</th> <th>b5</th> <th>b4</th> <th>b3</th> <th>b2</th> <th>b1</th> <th>b0</th> <th></th> </tr> </thead> <tbody> <tr> <td></td> <td></td> <td></td> <td></td> <td>X</td> <td></td> <td></td> <td></td> <td>TVDD value in Card Mode</td> </tr> <tr> <td></td> <td></td> <td></td> <td></td> <td></td> <td></td> <td>X</td> <td></td> <td>TVDD value in Reader Mode</td> </tr> <tr> <td>0</td> <td>0</td> <td>0</td> <td>0</td> <td></td> <td>0</td> <td></td> <td>0</td> <td>RFU</td> </tr> </tbody> </table> <p>b3 &amp; b1: '1' =&gt; TVDD = 2.7V, '0' =&gt; TVDD = 3.1V.</p>	Bit Mask								Description	b7	b6	b5	b4	b3	b2	b1	b0						X				TVDD value in Card Mode							X		TVDD value in Reader Mode	0	0	0	0		0		0	RFU			
Bit Mask								Description																																									
b7	b6	b5	b4	b3	b2	b1	b0																																										
				X				TVDD value in Card Mode																																									
						X		TVDD value in Reader Mode																																									
0	0	0	0		0		0	RFU																																									

! Changing the TVDD value has a significant impact on the RF characteristics; in particular, TVDD setting cannot be changed once an NFC FORUM RF Analogue or EMVCo L1 Analogue PCD certification has been passed.

Name & Rights	Description	Ext. Tag	Len.	Default Value
DH_EEPROM_AREA_2 <i>RW in E<sup>2</sup>PROM</i>	32-Byte EEPROM area dedicated to the DH to store/retrieve non-volatile data. The 32 Bytes have to be read (CORE_GET_CONFIG_CMD) or written (CORE_SET_CONFIG_CMD) is a row: it is not possible to access only a subset of these 32 Bytes.	0xA0 0x14	32	

Note: The following parameters are treated differently from all the other parameters during a Firmware Upload: CLOCK\_SEL\_CFG (A003), IRQ\_POLARITY\_CFG (A005), PAD\_SLEW\_RATE\_CFG (A00A), and PLL\_XTAL\_CFG (A011). Indeed, these parameters are not updated during the FW upload. The benefit is that they can be written only once, since they will never change later on. The drawback is that their value needs to be carefully checked; since if it is wrong, it will be wrong for ever (a FW upload will not solve an issue due to a wrong value of these parameters). For any other proprietary parameter described in this User Manual, the FW upload will set the parameter back to its default value (see the column "default value"). If this value is not correct for the application, the DH needs to overwrite it at boot.

## 11.2 [PN7120-NCI] extension: RF Discovery configuration

### 11.2.1 Poll Mode

Several configuration parameters are required for the Poll Mode in RF discovery:

Table 77. Poll Mode configuration

Name & Rights	Description	Ext. Tag	Len.	Default Value																																													
TAG_DETECTOR_CFG <i>RW in E<sup>2</sup>PROM</i>	Tag detector enabling/disabling as follows:	0xA0 0x40	1	0x00																																													
	<table border="1"> <thead> <tr> <th colspan="8">Bit Mask</th> <th>Description</th> </tr> <tr> <th>b7</th> <th>b6</th> <th>b5</th> <th>b4</th> <th>b3</th> <th>b2</th> <th>b1</th> <th>b0</th> <th></th> </tr> </thead> <tbody> <tr> <td></td> <td></td> <td></td> <td></td> <td></td> <td></td> <td></td> <td>X</td> <td>Detection based on the AGC</td> </tr> <tr> <td>X</td> <td></td> <td></td> <td></td> <td></td> <td></td> <td></td> <td></td> <td>Activation of the Trace mode</td> </tr> <tr> <td></td> <td>0</td> <td>0</td> <td>0</td> <td>0</td> <td>0</td> <td>0</td> <td></td> <td>RFU</td> </tr> </tbody> </table> <p><sup>1</sup> '1' =&gt; Enabled; '0' =&gt; Disabled</p> <p>So the valid values for this parameter are:</p> <p>0x00 - tag detector disabled</p> <p>0x01 - tag detector enabled (using AGC)</p> <p>0x81 - tag detector enabled (using AGC) with Trace Mode</p>	Bit Mask								Description	b7	b6	b5	b4	b3	b2	b1	b0									X	Detection based on the AGC	X								Activation of the Trace mode		0	0	0	0	0	0		RFU			
Bit Mask								Description																																									
b7	b6	b5	b4	b3	b2	b1	b0																																										
							X	Detection based on the AGC																																									
X								Activation of the Trace mode																																									
	0	0	0	0	0	0		RFU																																									
TAG_DETECTOR_THRESHOLD_CFG <i>RW in E<sup>2</sup>PROM</i>	Sets the detection level.	0xA0 0x41	1	0x04																																													
TAG_DETECTOR_PERIOD_CFG	Time in steps of 8us to wait before reading the AGC value.	0xA0 0x42	1	0x19																																													

Name & Rights	Description	Ext. Tag	Len.	Default Value					
<b>RW in E<sup>2</sup>PROM</b>									
TAG_DETECTOR_FALLBACK_CNT_CFG	Parameter used to configure the "Hybrid" mode to insert a regular Polling cycle every N pulses generated by the LPCD:	0xA0 0x43	1	0x50					
<b>RW in E<sup>2</sup>PROM</b>									
	0x00	Hybrid mode disabled: LPCD only, no regular Polling cycle unless an "object" is detected by the LPCD.							
	0x02- 0xFF	Hybrid mode enabled, inserting a regular Polling cycle every 'N' pulses of LPDC. 'N' is coded by the value assigned to TAG_DETECTOR_FALLBACK_CNT_CFG in decimal. Default N = 0x50 = 80.							
POLL_PROFILE_SEL_CFG	Discovery profile selection in Poll Mode as follows:	0xA0 0x44	1	0x00					
<b>RW in E<sup>2</sup>PROM</b>									
	Bit Mask		Description						
	b7	b6	b5	b4	b3	b2	b1	b0	
							X		'0' => NFC FORUM prof. '1' => EMVCo Profile
							X		Removal or Power OFF when deactivating to RFST_IDLE
					X				Removal or Power OFF when deactivating to RFST_DISCOVERY
	0	0	0	0	0				RFU
GT_NFC-AA_CFG	Guard time (in steps of 0.59µs) used between the start of unmodulated RF field & 1 <sup>st</sup> command for Poll NFC-A Active (min='0001', max='FFFF')	0xA0 0x46	2	0x21C4 (5.1ms)					
<b>RW in E<sup>2</sup>PROM</b>									
GT_NFC-AP_CFG	Guard time (in ms) used between the start of unmodulated RF field & 1 <sup>st</sup> command for Poll NFC-A Passive (min='0001', max='FFFF')	0xA0 0x47	2	0x2192 (5.07ms)					
<b>RW in E<sup>2</sup>PROM</b>									
GT_NFC-B_CFG	Guard time (in ms) used between the start of unmodulated RF field & 1 <sup>st</sup> command for Poll NFC-B Passive (min='0001', max='FFFF')	0xA0 0x48	2	0x2192 (5.07ms)					
<b>RW in E<sup>2</sup>PROM</b>									
GT_NFC-F_CFG	Guard time (in ms) used between the start of unmodulated RF field & 1 <sup>st</sup> command for Poll NFC-F Passive (min='0001', max='FFFF')	0xA0 0x49	2	0x84E2 (20.07ms)					
<b>RW in E<sup>2</sup>PROM</b>									
	Note: If previous phase on polling loop is a FeliCa Poll that fail on Timeout, you will see an additional 5 ms delay due to the FeliCa timeout itself								
GT_15693_CFG	Guard time (in ms) used between the start of unmodulated RF field & 1 <sup>st</sup> command for Poll 15693 Passive (min='0001', max='FFFF')	0xA0 0x4A	2	0x07B8 (1.17ms)					
<b>RW in E<sup>2</sup>PROM</b>									
PF_SYS_CODE_CFG	Discovery configuration parameters for Poll F: system code	0xA0 0x4C	2	0xFFFF					
<b>RW in E<sup>2</sup>PROM</b>									
MFC_KEY-0_CFG	Key 0, used in MIFARE Classic Authentication command.	0xA0 0x4D	6	0xA0A1 A2A3					
<b>WO<sup>1</sup> in E<sup>2</sup>PROM</b>									

Name & Rights	Description	Ext. Tag	Len.	Default Value
				A4A5
MFC_KEY-1_CFG <i>WO<sup>1</sup> in E<sup>2</sup>PROM</i>	Key 1, used in MIFARE Classic Authentication command.	0xA0 0x4E	6	0xD3F7 D3F7 D3F7
MFC_KEY-2_CFG <i>WO<sup>1</sup> in E<sup>2</sup>PROM</i>	Key 2, used in MIFARE Classic Authentication command.	0xA0 0x4F	6	0xFFFF FFFF FFFF
MFC_KEY-3_CFG <i>WO<sup>1</sup> in E<sup>2</sup>PROM</i>	Key 3, used in MIFARE Classic Authentication command.	0xA0 0x50	6	0xFFFF FFFF FFFF
MFC_KEY-4_CFG <i>WO<sup>1</sup> in E<sup>2</sup>PROM</i>	Key 4, used in MIFARE Classic Authentication command.	0xA0 0x51	6	0xFFFF FFFF FFFF
MFC_KEY-5_CFG <i>WO<sup>1</sup> in E<sup>2</sup>PROM</i>	Key 5, used in MIFARE Classic Authentication command.	0xA0 0x52	6	0xFFFF FFFF FFFF
MFC_KEY-6_CFG <i>WO<sup>1</sup> in E<sup>2</sup>PROM</i>	Key 6, used in MIFARE Classic Authentication command.	0xA0 0x53	6	0xFFFF FFFF FFFF
MFC_KEY-7_CFG <i>WO<sup>1</sup> in E<sup>2</sup>PROM</i>	Key 7, used in MIFARE Classic Authentication command.	0xA0 0x54	6	0xFFFF FFFF FFFF
MFC_KEY-8_CFG <i>WO<sup>1</sup> in E<sup>2</sup>PROM</i>	Key 8, used in MIFARE Classic Authentication command.	0xA0 0x55	6	0xFFFF FFFF FFFF
MFC_KEY-9_CFG <i>WO<sup>1</sup> in E<sup>2</sup>PROM</i>	Key 9, used in MIFARE Classic Authentication command.	0xA0 0x56	6	0xFFFF FFFF FFFF
MFC_KEY-10_CFG <i>WO<sup>1</sup> in E<sup>2</sup>PROM</i>	Key 10, used in MIFARE Classic Authentication command.	0xA0 0x57	6	0xFFFF FFFF FFFF
MFC_KEY-11_CFG <i>WO<sup>1</sup> in E<sup>2</sup>PROM</i>	Key 11, used in MIFARE Classic Authentication command.	0xA0 0x58	6	0xFFFF FFFF FFFF
MFC_KEY-12_CFG <i>WO<sup>1</sup> in E<sup>2</sup>PROM</i>	Key 12, used in MIFARE Classic Authentication command.	0xA0 0x59	6	0xFFFF FFFF FFFF
MFC_KEY-13_CFG <i>WO<sup>1</sup> in E<sup>2</sup>PROM</i>	Key 13, used in MIFARE Classic Authentication command.	0xA0 0x5A	6	0xFFFF FFFF FFFF
MFC_KEY-14_CFG <i>WO<sup>1</sup> in E<sup>2</sup>PROM</i>	Key 14, used in MIFARE Classic Authentication command.	0xA0 0x5B	6	0xFFFF FFFF FFFF
MFC_KEY-15_CFG <i>WO<sup>1</sup> in E<sup>2</sup>PROM</i>	Key 15, used in MIFARE Classic Authentication command.	0xA0 0x5C	6	0xFFFF FFFF FFFF
FSDI_CFG <i>RW in E<sup>2</sup>PROM</i>	Frame Size value for the PN7120 to display in RATS or ATTRIB.	0xA0 0x5D	1	0x08

Name & Rights	Description	Ext. Tag	Len.	Default Value																																																															
JEWEL_RID_CFG <i>RW in E<sup>2</sup>PROM</i>	Parameter used to configure if the RID is sent on RF to the T1T by PN7120 during the RF activation or not: 0x01 => The RID is sent on RF to the T1T 0x00 => The RID is NOT sent on RF to the T1T.  In both cases, the RF_INTF_ACTIVATED_NTF will NOT embed the RID response from the T1T, as defined in [NCI]	0xA0 0x5E	1	0x00																																																															
FELICA_TSN_CFG <i>RW in E<sup>2</sup>PROM</i>	TSN value transported by the PN7120 in the SENSF_REQ command: the DH defines the number of time slots for collision resolution. <b>!! This value has to be set to 0x03 for NFC FORUM compliance (DTA/Digital protocol tests)!!</b>	0xA0 0x5F	1	0x00																																																															
BOOSTER_CNTRL_CFG <i>RW in E<sup>2</sup>PROM</i>	Parameter used to configure the Control of an external RF Booster through the I2C_ADDR1 pin: <table border="1"> <thead> <tr> <th colspan="8">Bit Mask</th> <th>Description</th> </tr> <tr> <th>b7</th> <th>b6</th> <th>b5</th> <th>b4</th> <th>b3</th> <th>b2</th> <th>b1</th> <th>b0</th> <th></th> </tr> </thead> <tbody> <tr> <td>X</td> <td></td> <td></td> <td></td> <td></td> <td></td> <td></td> <td></td> <td>If b7=1, RF Booster activated in EMVCo PCD Profile</td> </tr> <tr> <td></td> <td>X</td> <td></td> <td></td> <td></td> <td></td> <td></td> <td></td> <td>If b6=1, RF Booster activated in NFC FORUM Polling Profile</td> </tr> <tr> <td></td> <td></td> <td>X</td> <td></td> <td></td> <td></td> <td></td> <td></td> <td>If b5=1, RF Booster activated in Low Power Card Detector</td> </tr> <tr> <td></td> <td></td> <td></td> <td>0</td> <td></td> <td></td> <td></td> <td></td> <td>RFU</td> </tr> <tr> <td></td> <td></td> <td></td> <td></td> <td>X</td> <td>X</td> <td>X</td> <td>X</td> <td>Delay_RF_On Time</td> </tr> </tbody> </table> <p>The RF Booster may require a delay between the time its Enable Pin is activated by PN7120 and the time PN7120 starts generating some RF Field to be amplified by the RF Booster.</p> <p>The effective delay of RF On when starting-up the RF Booster is: <math>T_{Delay\_RF\_On} = [Delay\_RF\_On] \times 128 \mu s</math>.</p> <p><b>!! BOOSTER_CNTRL_CFG = 0x00 keeps I2C_ADDR1 as an input pin configuring the I<sup>2</sup>C slave address!!</b></p>	Bit Mask								Description	b7	b6	b5	b4	b3	b2	b1	b0		X								If b7=1, RF Booster activated in EMVCo PCD Profile		X							If b6=1, RF Booster activated in NFC FORUM Polling Profile			X						If b5=1, RF Booster activated in Low Power Card Detector				0					RFU					X	X	X	X	Delay_RF_On Time	0xA0 0x60	1	0x00
Bit Mask								Description																																																											
b7	b6	b5	b4	b3	b2	b1	b0																																																												
X								If b7=1, RF Booster activated in EMVCo PCD Profile																																																											
	X							If b6=1, RF Booster activated in NFC FORUM Polling Profile																																																											
		X						If b5=1, RF Booster activated in Low Power Card Detector																																																											
			0					RFU																																																											
				X	X	X	X	Delay_RF_On Time																																																											
TechDet_AFTER_LPCD_CFG <i>RW in E<sup>2</sup>PROM</i>	Parameter used to configure the RF Discovery taking place right after the Low Power Card Detector has triggered a detection: <table border="1"> <thead> <tr> <th colspan="8">Bit Mask</th> <th>Description</th> </tr> <tr> <th>b7</th> <th>b6</th> <th>b5</th> <th>b4</th> <th>b3</th> <th>b2</th> <th>b1</th> <th>b0</th> <th></th> </tr> </thead> <tbody> <tr> <td>X</td> <td>X</td> <td>X</td> <td>X</td> <td>X</td> <td></td> <td></td> <td></td> <td>TechDet_PERIOD In steps of 10ms</td> </tr> <tr> <td></td> <td></td> <td></td> <td></td> <td></td> <td>X</td> <td>X</td> <td>X</td> <td>TechDet_NBR_RETRIES</td> </tr> </tbody> </table> <p>See →10.4.2 for more details on the use of this parameter.</p>	Bit Mask								Description	b7	b6	b5	b4	b3	b2	b1	b0		X	X	X	X	X				TechDet_PERIOD In steps of 10ms						X	X	X	TechDet_NBR_RETRIES	0xA0 0x61	1	0x00																											
Bit Mask								Description																																																											
b7	b6	b5	b4	b3	b2	b1	b0																																																												
X	X	X	X	X				TechDet_PERIOD In steps of 10ms																																																											
					X	X	X	TechDet_NBR_RETRIES																																																											
FILTER_FIELD_INFO_CFG <i>RW in E<sup>2</sup>PROM</i>	This parameter is used to enable/disable a special handling of the RF_FIELD_INFO_NTF, when the DH has informed PN7120 that the Device is in Display Off mode: <table border="1"> <tr> <td>0x00</td> <td>The Host is fast enough to wake up and fetch the RF_FIELD_INFO_NTF in Display Off mode =&gt; PN7120 keeps sending the</td> </tr> </table>	0x00	The Host is fast enough to wake up and fetch the RF_FIELD_INFO_NTF in Display Off mode => PN7120 keeps sending the	0xA0 0x62	1	0x00																																																													
0x00	The Host is fast enough to wake up and fetch the RF_FIELD_INFO_NTF in Display Off mode => PN7120 keeps sending the																																																																		



Name & Rights	Description	Ext. Tag	Len.	Default Value
	RF_FIELD_INFO_NTFs in Display Off power mode.			
	0x01 The Host is slow to wake up and fetch the RF_FIELD_INFO_NTF in Display Off mode => PN7120 stops sending the RF_FIELD_INFO_NTFs in Display Off power mode unless there is a successful activation by an external reader.			
	0x02- 0xFF			RFU

<sup>1</sup> WO (Write Only) parameters can only be written, using CORE\_SET\_CONFIG\_CMD. PN7120 will always return CORE\_GET\_CONFIG\_RSP(STATUS\_INVALID\_PARAM) to any attempt to read the value of the WO parameter.

11.2.2 Listen Mode

Table 78. Listen Mode Configuration

Name & Rights	Description	Ext. Tag	Len.	Default Value																																				
TO_RF_OFF_CFG <i>RW in E<sup>2</sup>PROM</i>	Specifies the time out (1 ms) applied by PN7120 before it restarts a Polling sequence, after it has detected a Field OFF in Listen Mode	0xA0 0x80	2	0x012C (300 ms)																																				
LISTEN_PROFILE_SEL_CFG <i>RW in E<sup>2</sup>PROM</i>	Discovery profile selection in Listen Mode, as follows:		0xA0 0x81	1	0x01																																			
	0x00	NFC FORUM profile																																						
	0x01	EMVCo																																						
	0x02- 0xFF	RFU																																						
LISTEN_ISODEP_FSCI_CFG <i>RW in E<sup>2</sup>PROM</i>	Parameter to define the FSC parameter (RF Frame Size for the PICC), as defined in [14443-4]:		0xA0 0x83	1	0x08																																			
	0x00	FSC = 16																																						
	0x01	FSC = 24																																						
	0x02	FSC = 32																																						
	0x03	FSC = 40																																						
	0x04	FSC = 48																																						
	0x05	FSC = 64																																						
	0x06	FSC = 96																																						
	0x07	FSC = 128																																						
	0x08	FSC = 256																																						
	0x09- 0xFF	RFU																																						
LA_RATS_TC1 <i>RW in E<sup>2</sup>PROM</i>	This Configuration parameter is defined in NCI 2.0 to allow the DH to enable or disable the support of the CID (DID) feature in card emulation over the DH, for NFC-A.	0x5C <b>(not in proprietary range, in NCI range !)</b>	1	0x00																																				
<table border="1"> <thead> <tr> <th colspan="8">Bit Mask</th> <th>Description</th> </tr> <tr> <th>b7</th> <th>b6</th> <th>b5</th> <th>b4</th> <th>b3</th> <th>b2</th> <th>b1</th> <th>b0</th> <th></th> </tr> </thead> <tbody> <tr> <td>0</td> <td>0</td> <td>0</td> <td>0</td> <td>0</td> <td>0</td> <td></td> <td>0</td> <td>Will be set by the PN7120 independently of what is configured by DH</td> </tr> <tr> <td></td> <td></td> <td></td> <td></td> <td></td> <td></td> <td>X</td> <td></td> <td>If set to 1b CID (DID) MAY be used, otherwise it SHALL NOT be used</td> </tr> </tbody> </table>		Bit Mask								Description	b7	b6	b5	b4	b3	b2	b1	b0		0	0	0	0	0	0		0	Will be set by the PN7120 independently of what is configured by DH							X		If set to 1b CID (DID) MAY be used, otherwise it SHALL NOT be used			
Bit Mask								Description																																
b7	b6	b5	b4	b3	b2	b1	b0																																	
0	0	0	0	0	0		0	Will be set by the PN7120 independently of what is configured by DH																																
						X		If set to 1b CID (DID) MAY be used, otherwise it SHALL NOT be used																																

### 11.3 [PN7120-NCI] extension: Contactless Interface configurations

PN7120 offers multiple configuration options for the Contactless Interface, to allow an optimum match between the antenna characteristics and the transmitter and receiver in PN7120.

A generic TLV mechanism has been defined to write the Contactless Interface settings. It relies on the [NCI] CORE\_SET\_CONFIG\_CMD and is described hereafter:

**Table 79. Mechanism to configure the RF transitions:**

Name & Rights	Description	Ext. Tag	Len.	Default Value								
RF_TRANSITION_CFG <i>RW in E<sup>2</sup>PROM</i>	Parameter to configure one RF transition. <ul style="list-style-type: none"> <li>One transition will be coded as:</li> </ul> <table border="1" data-bbox="443 757 1104 942"> <thead> <tr> <th>Transition ID (TID)</th> <th>CLIF register offset (RO)</th> <th>Register Value (RV)</th> </tr> </thead> <tbody> <tr> <td rowspan="3">1 Byte</td> <td rowspan="3">1 Byte</td> <td>1 Byte</td> </tr> <tr> <td>2 Bytes</td> </tr> <tr> <td>4 Bytes</td> </tr> </tbody> </table>	Transition ID (TID)	CLIF register offset (RO)	Register Value (RV)	1 Byte	1 Byte	1 Byte	2 Bytes	4 Bytes	0xA0 0D	3, 4 or 6	N/A
Transition ID (TID)	CLIF register offset (RO)	Register Value (RV)										
1 Byte	1 Byte	1 Byte										
		2 Bytes										
		4 Bytes										

The list of transition IDs and the appropriate values for the Register offset & its value is available in the [AN 11564], as referenced in →17

**!** PN7120 only supports RF\_TRANSITION\_CFG with the CORE\_SET\_CONFIG\_CMD; CORE\_GET\_CONFIG\_CMD is not supported.

PN7120 now comes with the possibility to read out the values of the RF transitions. This mechanism to read out the values is not based on the [NCI] CORE\_GET\_CONFIG\_CMD; it rather uses a specific command: RF\_GET\_TRANSITION\_CMD:

**Table 80. RF\_GET\_TRANSITION\_CMD**

GID	OID	Numbers of parameter(s)	Description
1111b	0x14	2	The DH asks to read out the value of an RF Transition

**Table 81. RF\_GET\_TRANSITION\_CMD parameters**

Payload Field(s)	Length	Value/Description
RF Transition ID	1 Octet	RF Transition Identifier
CLIF Register Offset	1 Octet	Offset of the register to read out from the CLIF

**Table 82. RF\_GET\_TRANSITION\_RSP**

GID	OID	Numbers of parameter(s)	Description
1111b	0x14	2	The PN7120 acknowledges the command received from the DH and sends the RF Transition value to the DH.

**Table 83. RF\_GET\_TRANSITION\_RSP parameters**

Payload Field(s)	Length	Value/Description								
STATUS	1 Octet	One of the following Status codes, as defined in [NCI_Table1]								
		<table border="1"> <tr> <td>0x00</td> <td>STATUS_OK</td> </tr> <tr> <td>0x01</td> <td>STATUS_REJECTED</td> </tr> <tr> <td>0x06</td> <td>STATUS_SEMANTIC_ERROR</td> </tr> <tr> <td>Others</td> <td>Forbidden</td> </tr> </table>	0x00	STATUS_OK	0x01	STATUS_REJECTED	0x06	STATUS_SEMANTIC_ERROR	Others	Forbidden
0x00	STATUS_OK									
0x01	STATUS_REJECTED									
0x06	STATUS_SEMANTIC_ERROR									
Others	Forbidden									
RF Transition Length	1 Octet	Length of the following parameter (RF Transition Value):								
		<table border="1"> <tr> <td>0x01</td> <td>1 Octet to follow</td> </tr> <tr> <td>0x02</td> <td>2 Octets to follow</td> </tr> <tr> <td>0x04</td> <td>4 Octets to follow</td> </tr> <tr> <td>Others</td> <td>RFU</td> </tr> </table>	0x01	1 Octet to follow	0x02	2 Octets to follow	0x04	4 Octets to follow	Others	RFU
0x01	1 Octet to follow									
0x02	2 Octets to follow									
0x04	4 Octets to follow									
Others	RFU									
RF Transition Value	1, 2 or 4 Octets	RF Transition Value								
		<table border="1"> <tr> <td>!</td> <td>Value coded in Little Endian.</td> </tr> </table>	!	Value coded in Little Endian.						
!	Value coded in Little Endian.									

## 12. PRBS Test Mode

The PN7150 has the ability to generate a continuous PRBS pattern on the RF interface. Before starting the PRBS Test Session it is necessary to implement a "test session", which isolates the test mode from a regular "NCI session" of PN7120. This test session is defined thanks to the following sequence:

- Reset/Init the PN7120 using CORE\_RESET\_CMD/CORE\_INIT\_CMD
- Launch the PRBS test function.
- Get the response transporting the PRBS test executed
- HW reset is required TEST\_PRBS\_CMD/RSP to stop the pattern generation on RF.

Two commands are needed to start the PRBS; TEST\_ANTENNA\_CMD to set the RF field ON/OFF and PRBS TEST\_PRBS\_CMD to define the modulation modes and to start the PRBS

### Set the RF field ON; TEST\_ANTENNA\_CMD/RSP

**Table 84. TEST\_ANTENNA\_CMD**

GID	OID	Numbers of parameter(s)	Description
1111b	0x3D	4	Command to set the RF field ON or OFF at antenna.

**Table 85. TEST\_ANTENNA\_CMD parameters**

Payload Field(s)	Length	Value/Description				
Measurement ID	1 Octet	<table border="1"> <tr> <td>0x20</td> <td>Switch RF Field On/Off</td> </tr> <tr> <td>All other values</td> <td>RFU</td> </tr> </table>	0x20	Switch RF Field On/Off	All other values	RFU
0x20	Switch RF Field On/Off					
All other values	RFU					
Parameters of individual test measurement	4 Octets	See Table 86				

**Table 86. Parameters to include in TEST\_ANTENNA\_CMD**

Meas. ID	Measurement Description	Param. number	Parameter name	Length	Description
0x20 <sup>1, 2</sup>	Switch RF Field On/Off	1	RF Field Generation	1 Octet	'1' => RF Field is generated '0' => RF Field is not generated
		2	RFU	1 Octet	RFU
		3	RFU	1 Octet	RFU
		4	RFU	1 Octet	RFU

**!** <sup>1</sup>Switch RF Field On/Off absolutely requires to first disable the Standby mode, thanks to the CORE\_SET\_POWER\_MODE\_CMD

**!** <sup>2</sup>Switch RF Field On/Off also requires to apply a particular sequence when requesting PN7120 to toggle the RF Field status (On, Off and then On again): the command to switch the RF Field Off has to be sent twice before the command to switch it on again can be sent:

- TEST\_ANTENNA\_CMD(MeasID=0x20,RF\_Field\_Gen=0x01) => Field On
- TEST\_ANTENNA\_CMD(MeasID=0x20,RF\_Field\_Gen=0x00) => Field Off
- TEST\_ANTENNA\_CMD(MeasID=0x20,RF\_Field\_Gen=0x00) => Field Off
- TEST\_ANTENNA\_CMD(MeasID=0x20,RF\_Field\_Gen=0x01) => Field On

**Table 87. TEST\_ANTENNA\_RSP**

GID	OID	Numbers of parameter(s)	Description
1111b	0x3D	5	PN547C2 returns individual measurement status code and the result of the measurement.

**Table 88. TEST\_ANTENNA\_RSP parameters**

Payload Field(s)	Length	Value/Description										
STATUS	1 Octet	<table border="1"> <tr> <td>0x00</td> <td>STATUS_OK</td> </tr> <tr> <td>0x01</td> <td>Test execution rejected (PN547C2 in wrong state)</td> </tr> <tr> <td>0x04</td> <td>STATUS_TEST_EXEC_FAILED</td> </tr> <tr> <td>0x09</td> <td>STATUS_INVALID_PARAM</td> </tr> <tr> <td>Others</td> <td>Forbidden</td> </tr> </table>	0x00	STATUS_OK	0x01	Test execution rejected (PN547C2 in wrong state)	0x04	STATUS_TEST_EXEC_FAILED	0x09	STATUS_INVALID_PARAM	Others	Forbidden
0x00	STATUS_OK											
0x01	Test execution rejected (PN547C2 in wrong state)											
0x04	STATUS_TEST_EXEC_FAILED											
0x09	STATUS_INVALID_PARAM											
Others	Forbidden											
Result_Parameter_1	1 Octet	RFU										
Result_Parameter_2	1 Octet	RFU										
Result_Parameter_3	1 Octet	RFU										
Result_Parameter_4	1 Octet	RFU										

**!** RFU Bytes in TEST\_ANTENNA\_RSP can have any value from 0x00 to 0xFF.

**Define and Start the PRBS; TEST\_PRBS\_CMD/RSP**

**Table 89. TEST\_PRBS\_CMD**

GID	OID	Numbers of parameter(s)	Description
1111b	0x30	4	Command to start PRBS generation

**Table 90. TEST\_PRBS\_CMD parameters**

Payload Field(s)	Length	Value/Description
------------------	--------	-------------------

Payload Field(s)	Length	Value/Description								
Technology to stream	1 Octet	<table border="1"> <tr> <td>0x00</td> <td>Type A</td> </tr> <tr> <td>0x01</td> <td>Type B</td> </tr> <tr> <td>0x02</td> <td>Type F</td> </tr> </table>	0x00	Type A	0x01	Type B	0x02	Type F		
0x00	Type A									
0x01	Type B									
0x02	Type F									
Bitrate	1 Octet	<table border="1"> <tr> <td>0x00</td> <td>106 kbps (Type A,B)</td> </tr> <tr> <td>0x01</td> <td>212 kbps (Type A,B&amp; F)</td> </tr> <tr> <td>0x02</td> <td>424 kbps (Type A,B &amp; F)</td> </tr> <tr> <td>0x03</td> <td>848 kbps (Type A,B)</td> </tr> </table>	0x00	106 kbps (Type A,B)	0x01	212 kbps (Type A,B& F)	0x02	424 kbps (Type A,B & F)	0x03	848 kbps (Type A,B)
0x00	106 kbps (Type A,B)									
0x01	212 kbps (Type A,B& F)									
0x02	424 kbps (Type A,B & F)									
0x03	848 kbps (Type A,B)									
PRBS series length	2 Octets	A value between 0x0001 – 0x01FF								

**Table 91. TEST\_PRBS\_RSP**

GID	OID	Numbers of parameter(s)	Description
1111b	0x30	1	PN7120 reports if the TEST_PRBS_CMD is successful or not.

**Table 92. TEST\_PRBS\_RSP parameters**

Payload Field(s)	Length	Value/Description								
STATUS	1 Octet	<table border="1"> <tr> <td>0x00</td> <td>STATUS_OK</td> </tr> <tr> <td>0x06</td> <td>STATUS_SYNTAX_ERROR</td> </tr> <tr> <td>0x09</td> <td>STATUS_INVALID_PARAM</td> </tr> <tr> <td>Others</td> <td>Forbidden</td> </tr> </table>	0x00	STATUS_OK	0x06	STATUS_SYNTAX_ERROR	0x09	STATUS_INVALID_PARAM	Others	Forbidden
0x00	STATUS_OK									
0x06	STATUS_SYNTAX_ERROR									
0x09	STATUS_INVALID_PARAM									
Others	Forbidden									

**!** The only way to stop the on-going PRBS pattern generation is to apply a HW reset (through the VEN pin).

### 13. PN7120 Practical approach

#### 13.1 Basic examples for Reader/Writer (R/W) Mode

##### 13.1.1 R/W Mode from DH (1 NFC Endpoint)

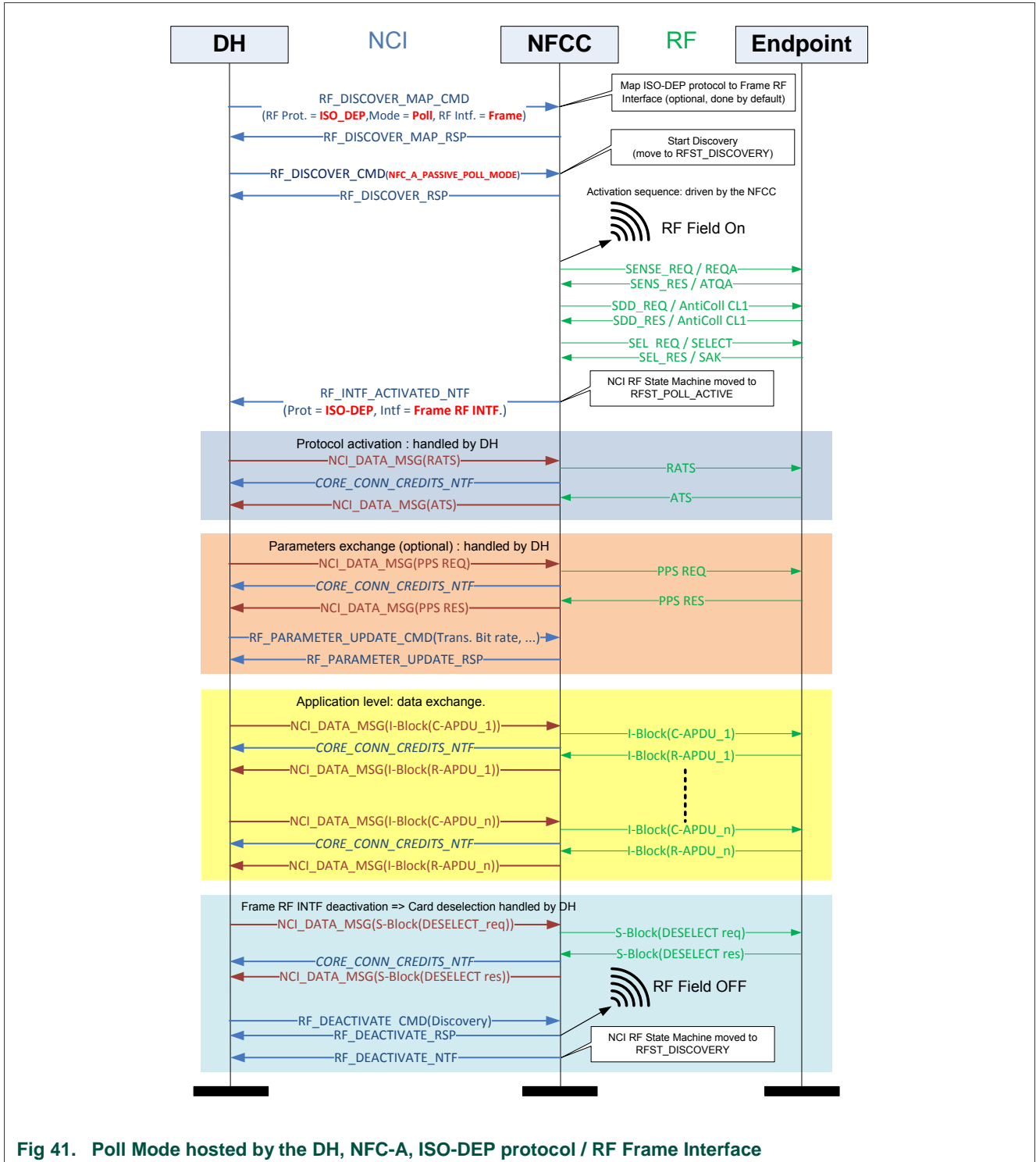


Fig 41. Poll Mode hosted by the DH, NFC-A, ISO-DEP protocol / RF Frame Interface



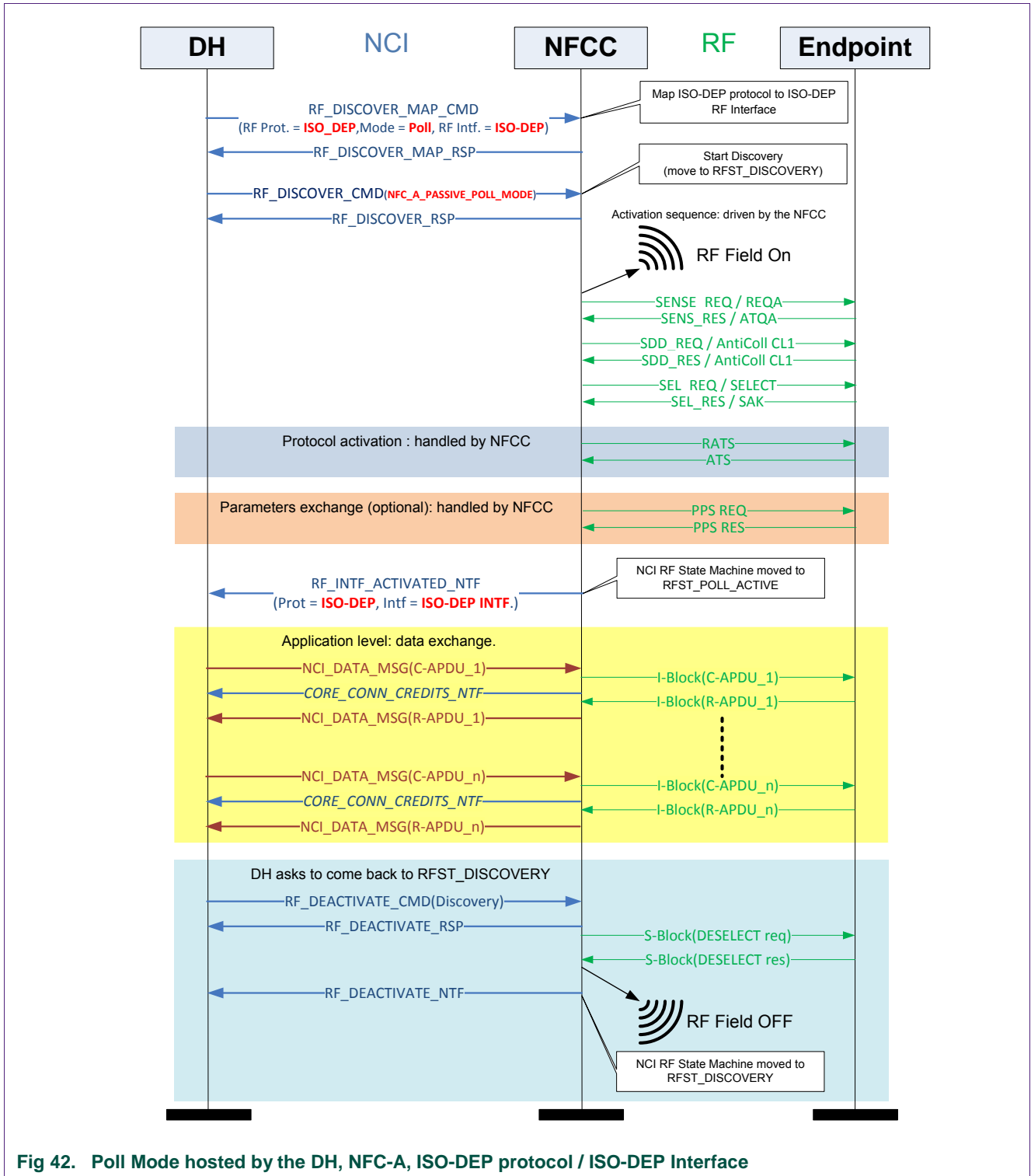


Fig 42. Poll Mode hosted by the DH, NFC-A, ISO-DEP protocol / ISO-DEP Interface

13.1.2 R/W Mode from DH (2 NFC Endpoints)

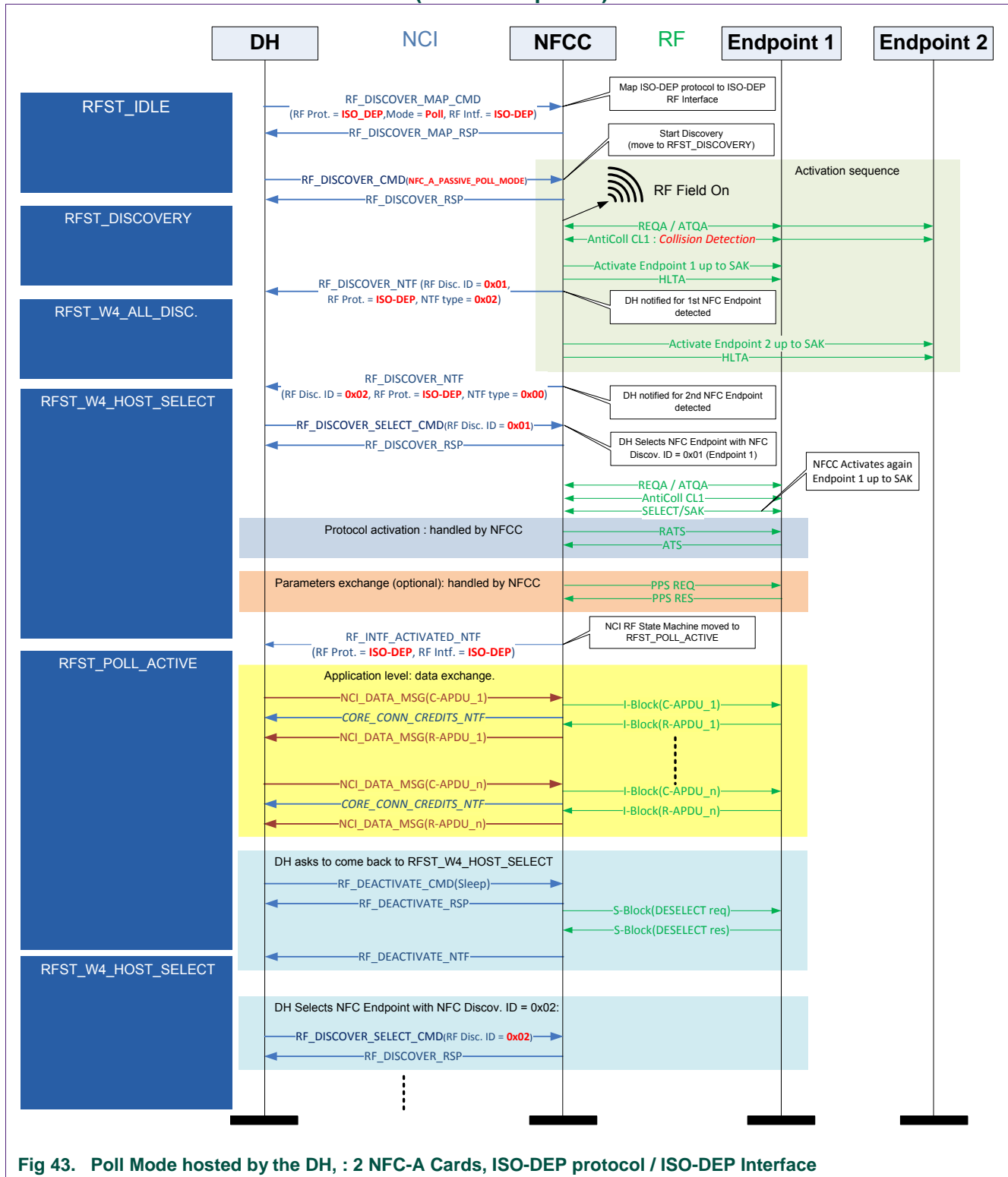


Fig 43. Poll Mode hosted by the DH, : 2 NFC-A Cards, ISO-DEP protocol / ISO-DEP Interface

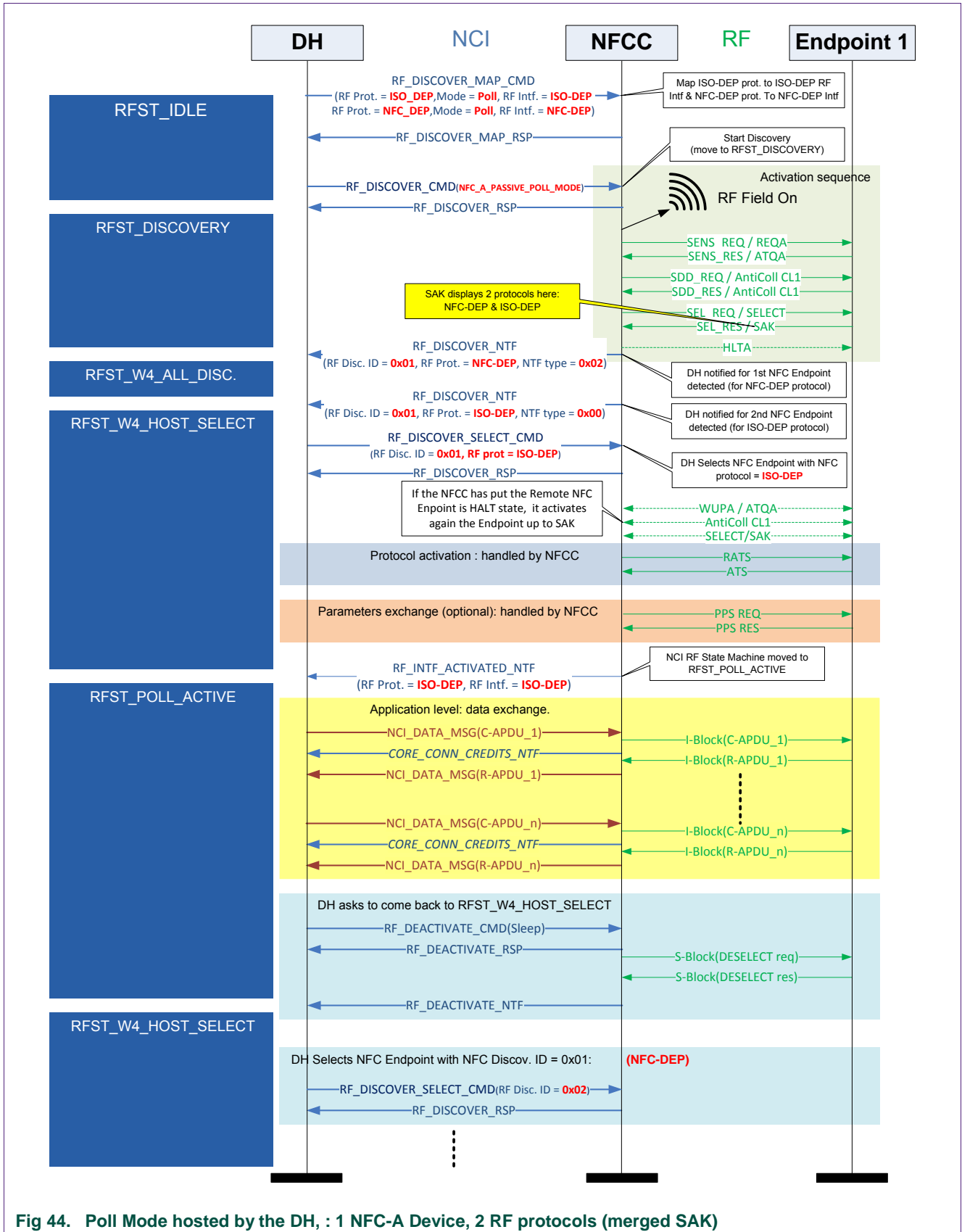


Fig 44. Poll Mode hosted by the DH, : 1 NFC-A Device, 2 RF protocols (merged SAK)



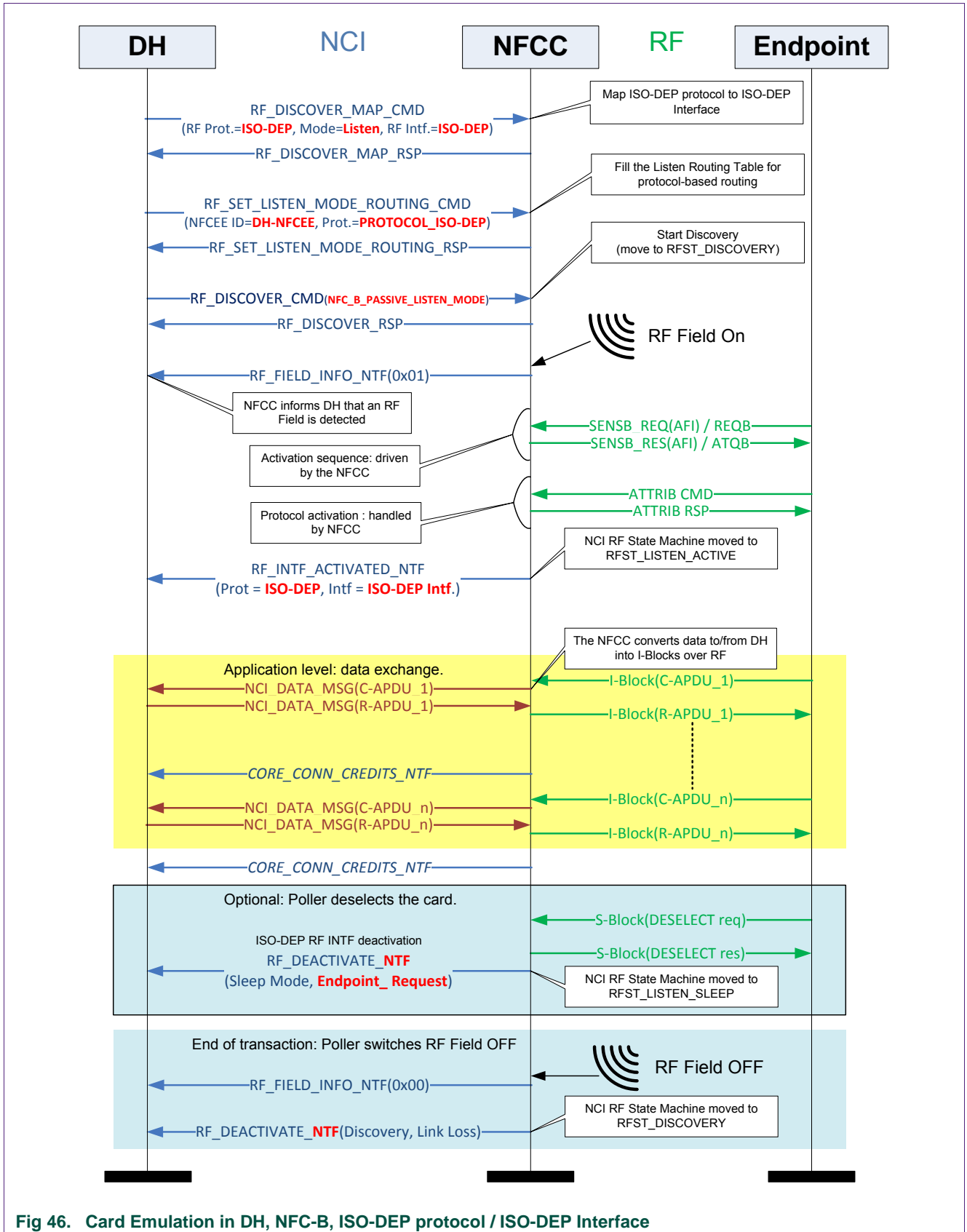


Fig 46. Card Emulation in DH, NFC-B, ISO-DEP protocol / ISO-DEP Interface

13.3 Basic examples for Peer-to-Peer (P2P) Passive Mode  
 13.3.1 Target in P2P Passive Mode / NFC-A @ 106kbps

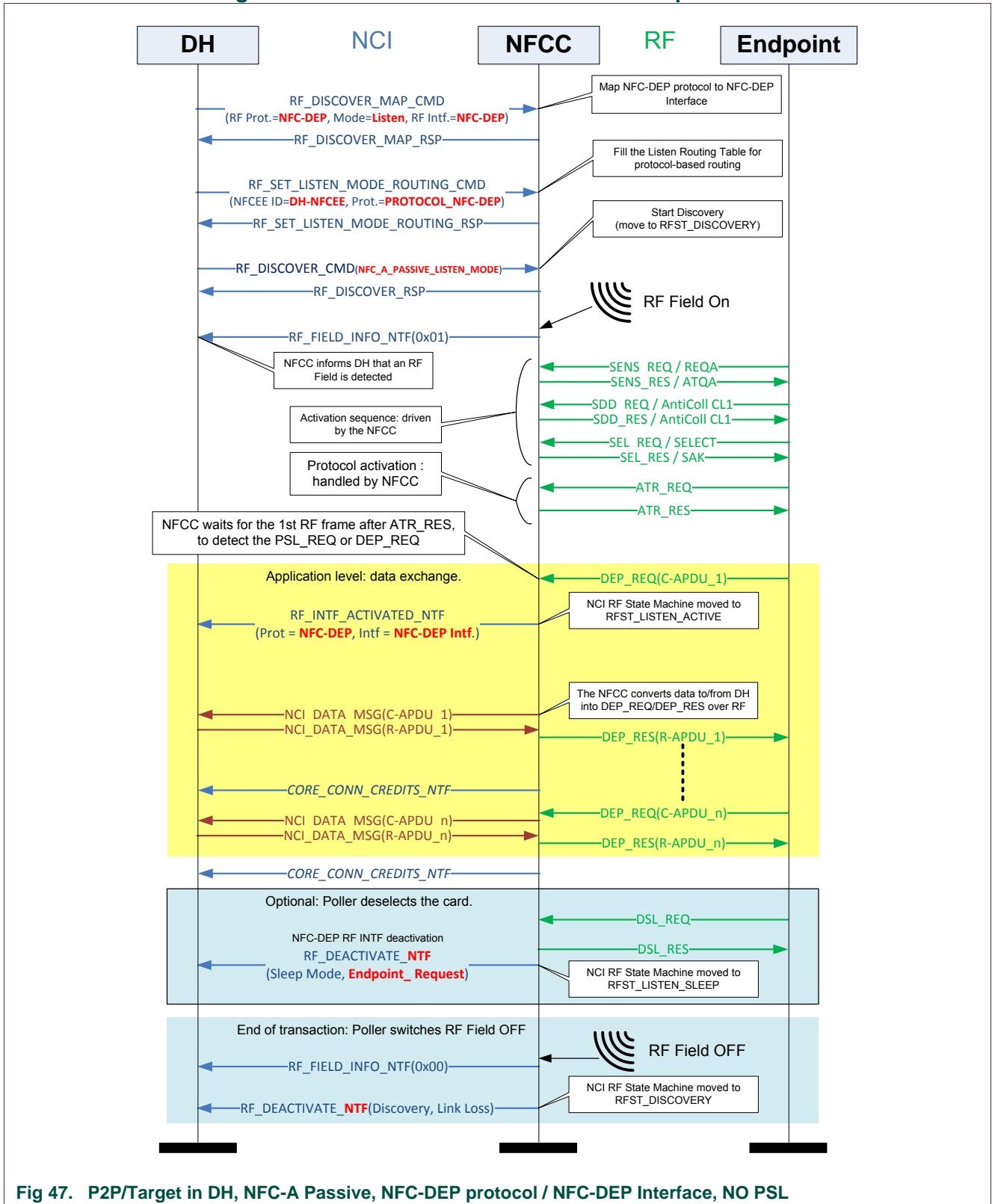
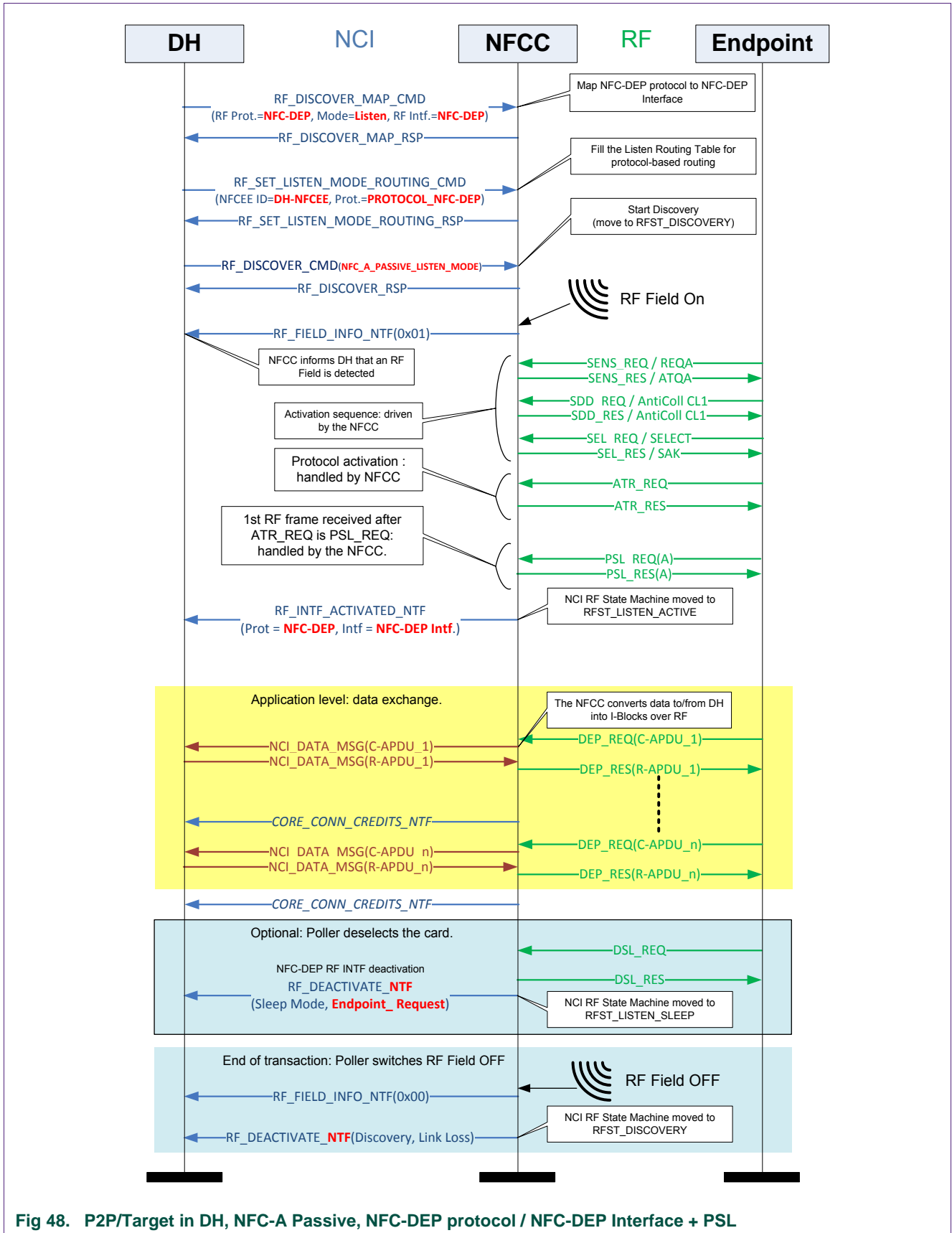


Fig 47. P2P/Target in DH, NFC-A Passive, NFC-DEP protocol / NFC-DEP Interface, NO PSL



13.3.2 Initiator in P2P Passive Mode

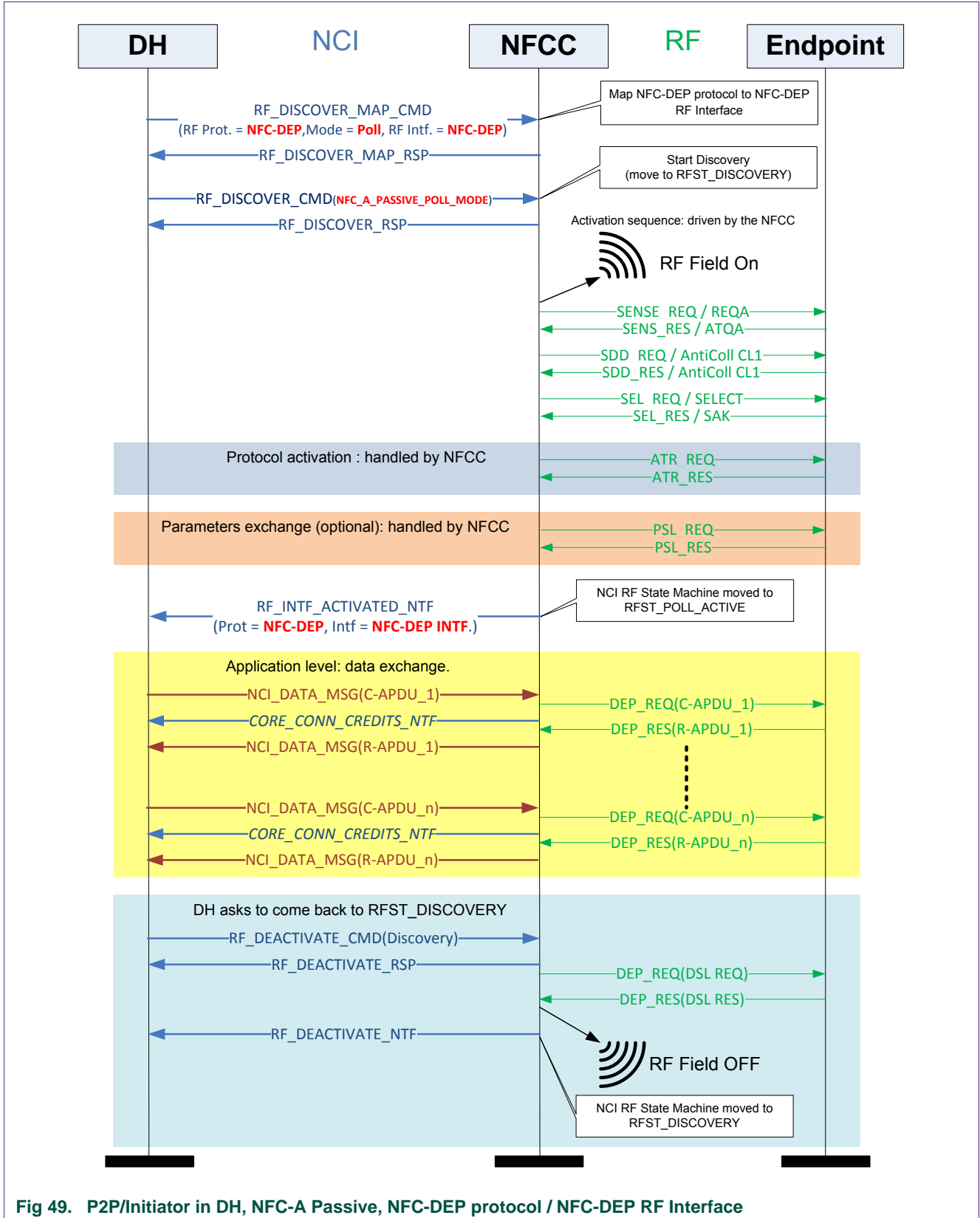


Fig 49. P2P/Initiator in DH, NFC-A Passive, NFC-DEP protocol / NFC-DEP RF Interface



### 13.4 Basic examples for Peer-to-Peer (P2P) Active Mode

#### 13.4.1 Target in P2P Active Mode

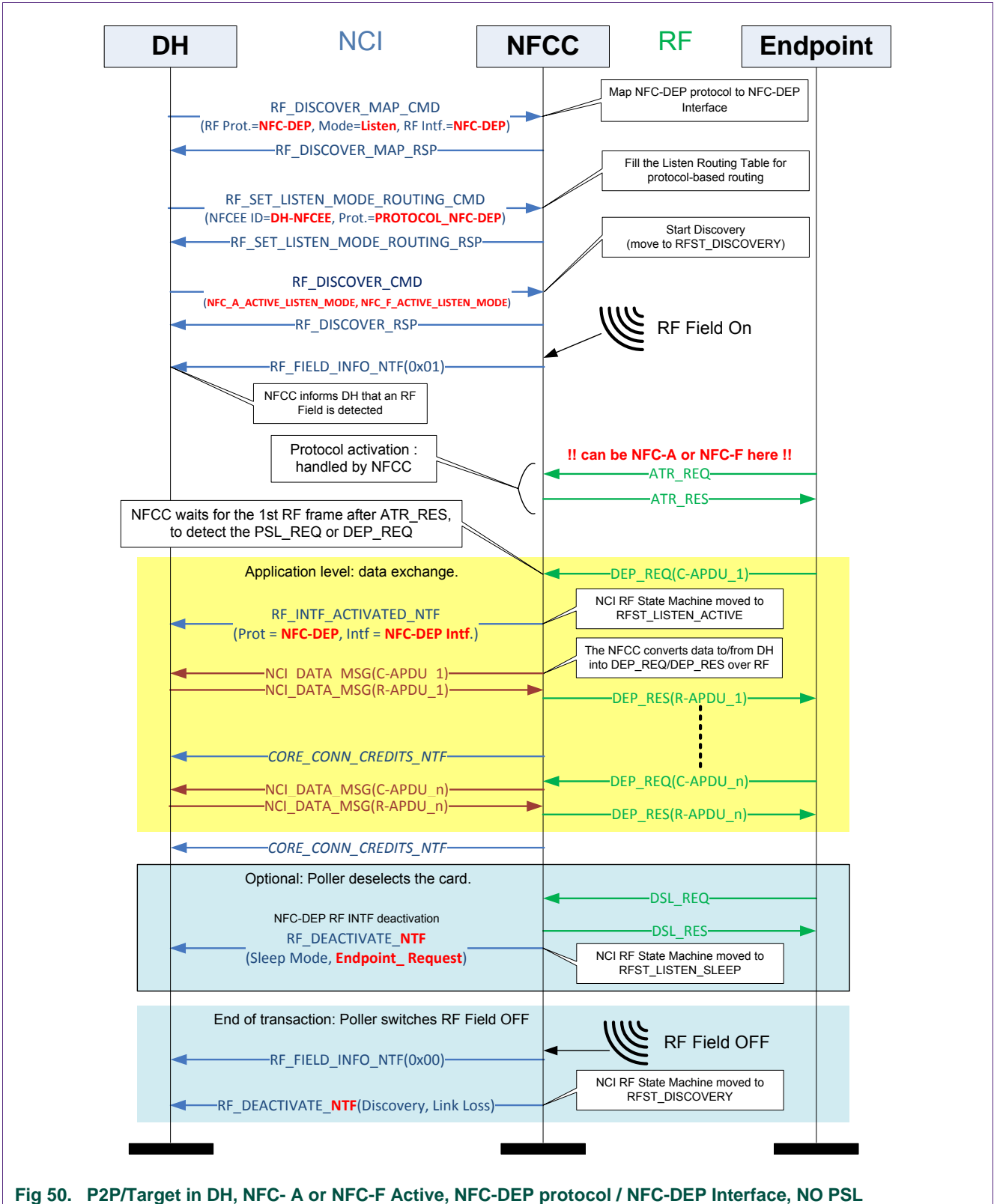
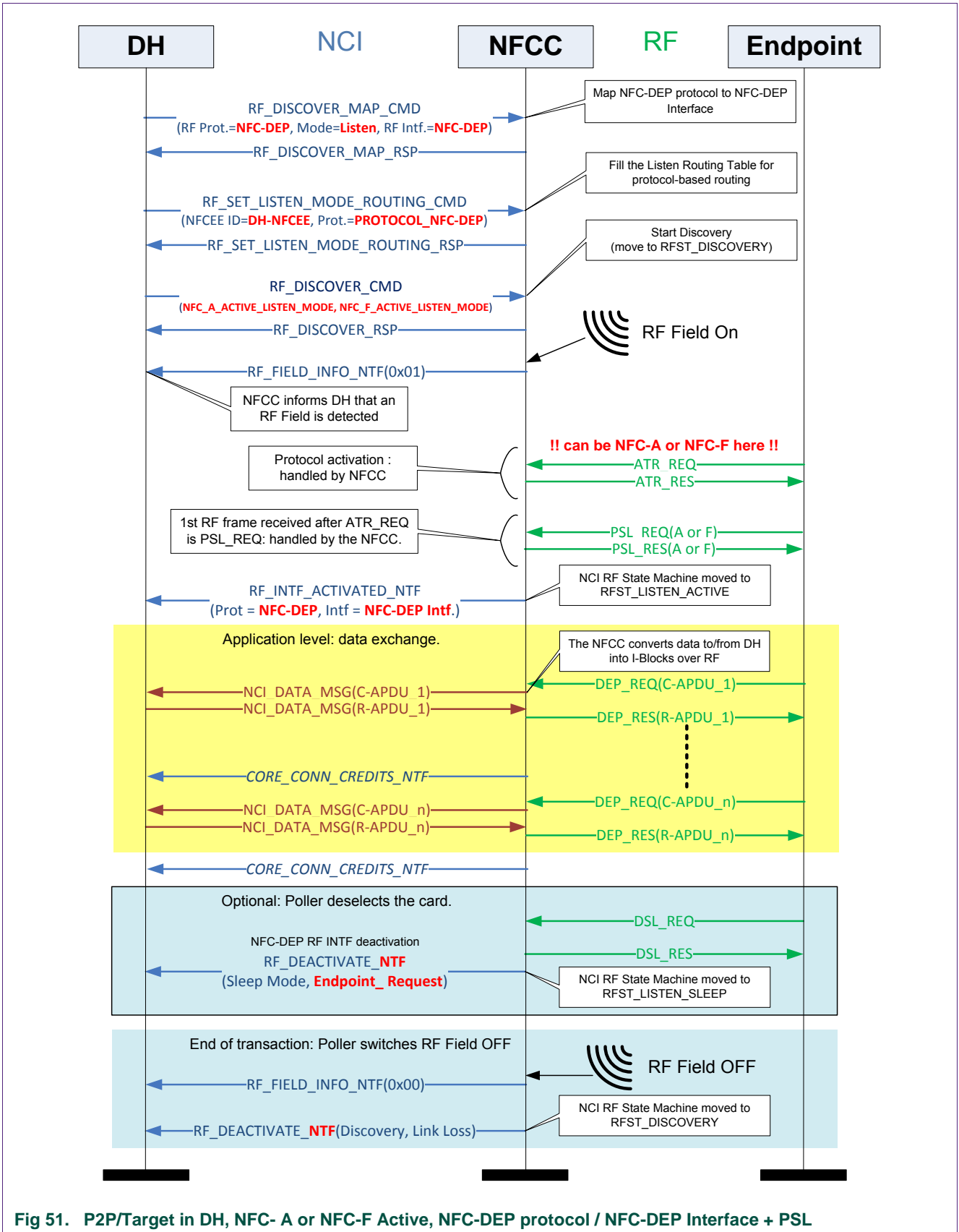


Fig 50. P2P/Target in DH, NFC- A or NFC-F Active, NFC-DEP protocol / NFC-DEP Interface, NO PSL



13.4.2 Initiator in P2P Active Mode

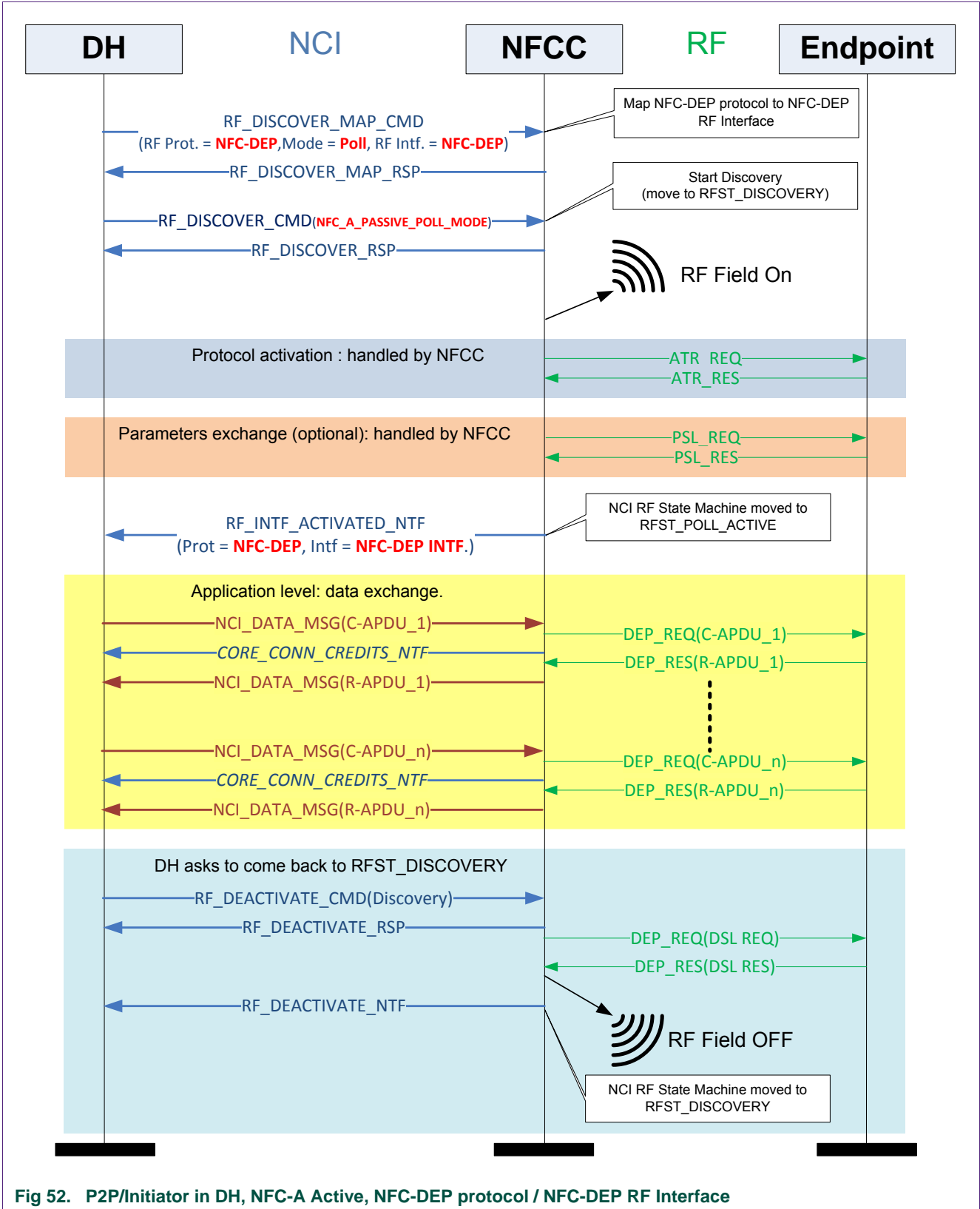


Fig 52. P2P/Initiator in DH, NFC-A Active, NFC-DEP protocol / NFC-DEP RF Interface

### 14. Annex A: details on RF state machine for [PN7120\_0802]

The [NCI] RF State Machine is quite complex and the drawing proposed in the NCI technical Specification is combining all the different modes of operation in a single drawing.

For debug purposes, it is convenient to draw this State Machine in a simplified way, depending on the Protocol to RF Interface mapping applied by the DH. This is why the following figures are proposed here:

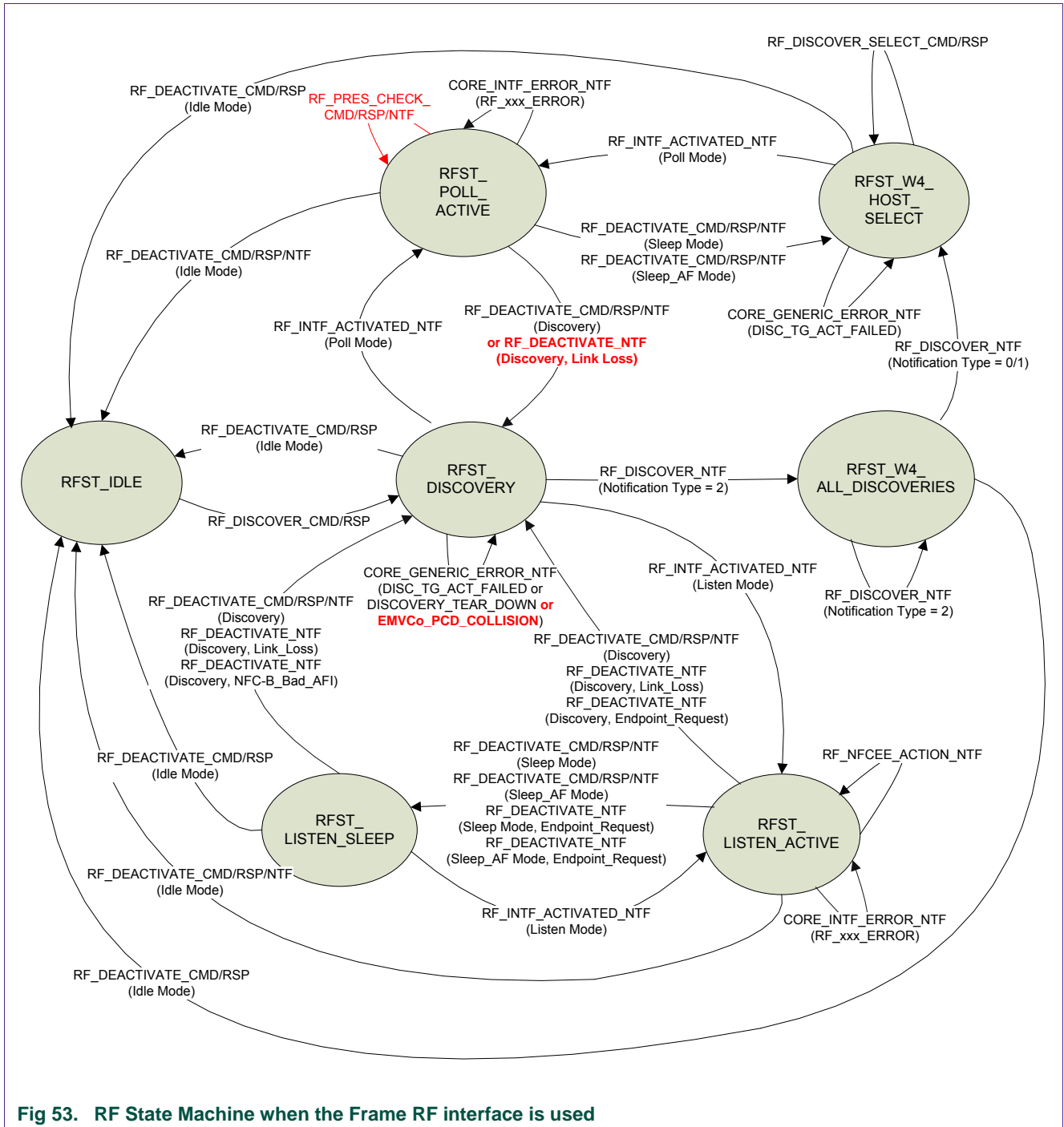


Fig 53. RF State Machine when the Frame RF interface is used

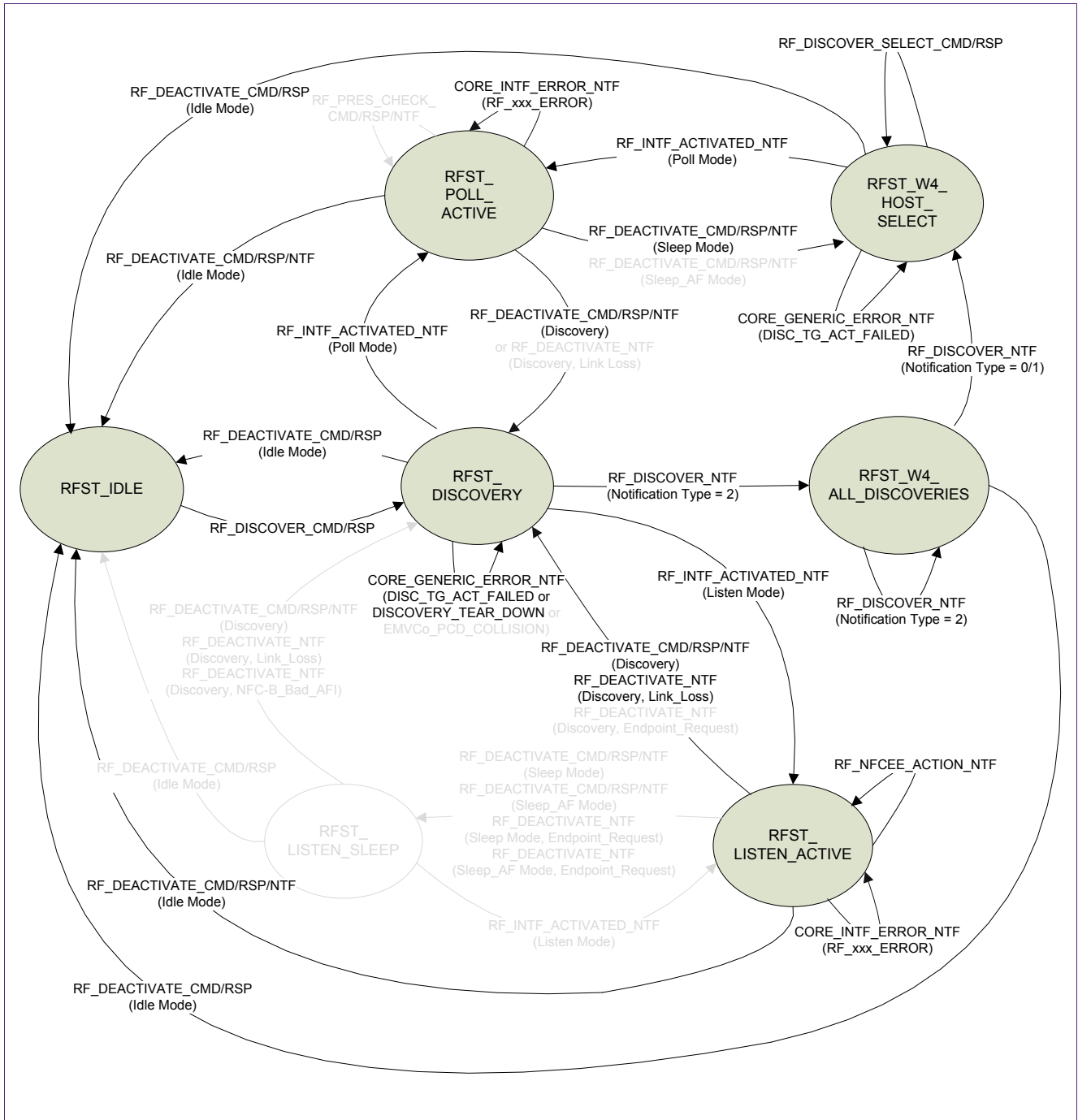


Fig 54. RF State Machine when the DH-NFCEE Direct RF interface is used

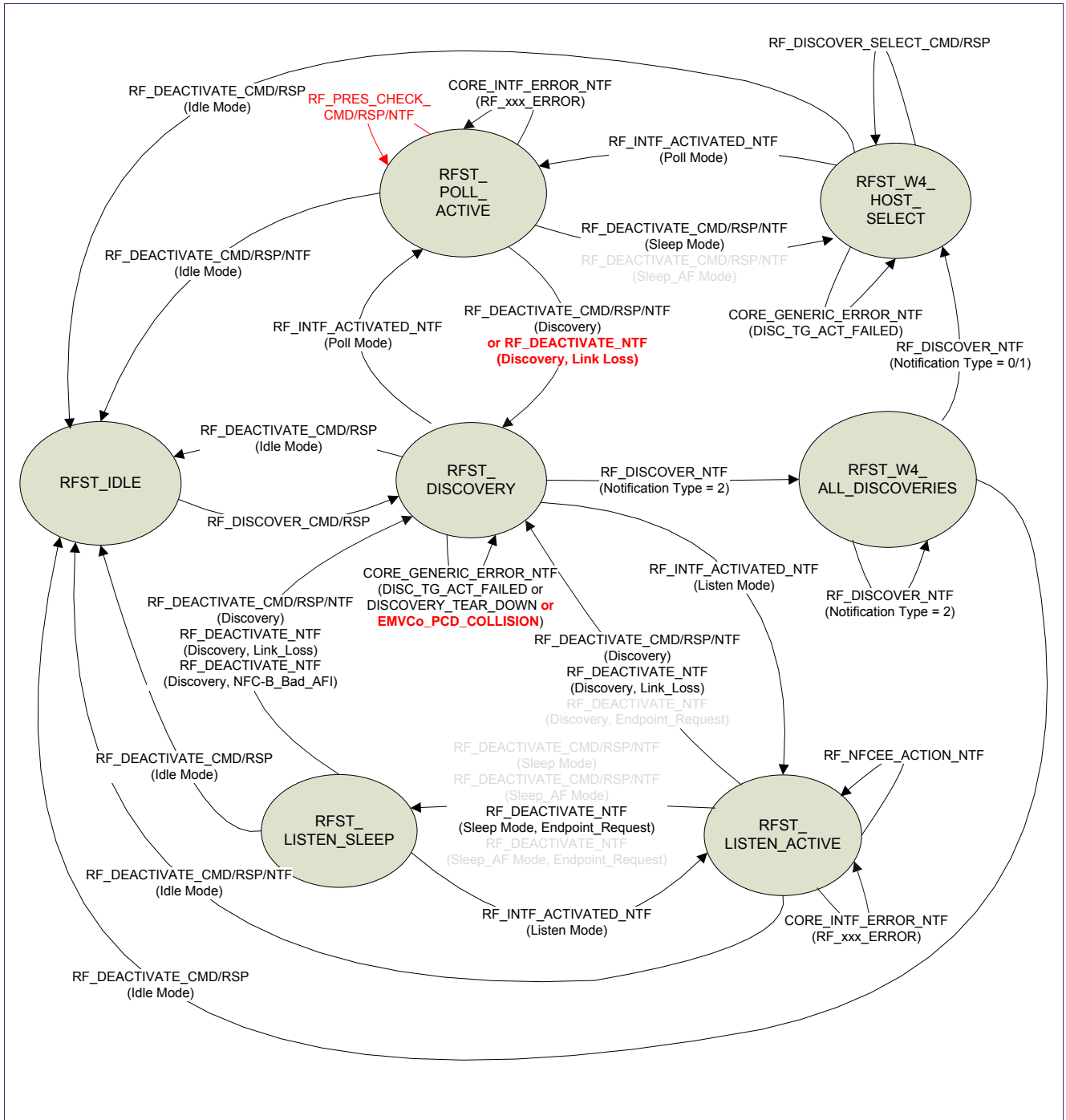


Fig 55. RF State Machine when the ISO-DEP RF interface is used



## 15. Annex B: List of [PN7120-NCI] extensions to Control Messages + List of TAG-CMD REQs & RSPs

**Table 93. [PN7120-NCI] extensions to Control Messages**

Chapter	GID	OID	[PN7120-NCI] Control message
→10.6.1	1111b	0x00	CORE_SET_POWER_MODE_CMD CORE_SET_POWER_MODE_RSP
→6.3.1	1111b	0x02	NCI_PROPRIETARY_ACT_CMD NCI_PROPRIETARY_ACT_RSP NCI_PROPRIETARY_ACT_NTF
→10.4.3	1111b	0x13	RF_TAG_DETECTOR_TRACE_NTF
→11.3	1111b	0x14	RF_GET_TRANSITION_CMD RF_GET_TRANSITION_RSP
→Error! Reference source not found.	1111b	0x15	DISPLAY_OFF_STATE_CMD DISPLAY_OFF_STATE_RSP
→0	1111b	0x30	TEST_PRBS_CMD TEST_PRBS_RSP

**Table 94. List of REQs & RSPs**

Chapter	ID	TAG-CMD REQ & RSP
→7.1.1.6	0x10	XCHG_DATA_REQ XCHG_DATA_RSP
→7.1.1.5	0x32	MF_SectorSel_REQ MF_SectorSel_RSP
→7.1.1.8	0x40	MFC_Authenticate_REQ MFC_Authenticate_RSP



## 16. Abbreviations

**Table 95. Abbreviations**

Acronym	Description
DH	Device Host
DH-NFCEE	NFC Execution Environment running on the DH
ISO-DEP	ISO-DEP protocol as defined in [DIGITAL]
Listen mode	Listen mode as defined in [Digital]
NCI	NFC Controller Interface
NFC	Near Field Communication
NFC-A	NFC-A technology as defined in [DIGITAL]
NFC-B	NFC-B technology as defined in [DIGITAL]
NFCC	NFC Controller, unless mentioned this is the PN7120
NFC-DEP	NFC-DEP protocol as defined in [DIGITAL]
NFCEE	NFC Execution Environment
NFC-F	NFC-F technology as defined in [DIGITAL]
PCD	PCD (Proximity Coupling Device) as defined in [EMVCo]
Peer device	Device which can communicate via P2P mode as defined in [NFC-IP1]
PICC	PICC (Proximity Integrated Circuit Card) as defined in [EMVCo]
Poll mode	Poll mode as defined in [Digital]
R/W	Reader/Writer
RF	Radio Frequency
RFU	Reserved For Future Use

## 17. References

**Table 96. References**

[ACTIVITY]	NFC FORUM Activity Specification 1.0
[AN 11564]	PN7120 Antenna and Tuning Design Guide
[DIGITAL]	NFC FORUM Digital Protocol Specification 1.0
[I <sup>2</sup> C]	I <sup>2</sup> C -bus specification and user manual Rev 03, defined by NXP. Last revision from April 2014 can be found here: <a href="http://www.nxp.com/documents/user_manual/UM10204.pdf">http://www.nxp.com/documents/user_manual/UM10204.pdf</a>
[NCI]	NFC Controller Interface, version 1.0
[NCI_Chap1]	Discovery and Interface Activation: chapter 8.3.2.2 in [NCI]
[NCI_Chap2]	State Machine: chapter 5.2 in [NCI]
[NCI_Table1]	Status Codes table: table 94 in [NCI]
[NCI_Table11]	Value Field of Power States: table 50 in [NCI]
[NCI_Table3]	RF Technology & Mode table: table 96 in [NCI]
[NCI_Table4]	Bit Rates table: table 97 in [NCI]
[NCI_Table5]	RF protocols table: table 98 in [NCI]
[NCI_Table6]	RF Interfaces table: table 99 in [NCI]
[NCI_Table8]	Config. parameters table: table 101 in [NCI]
[NCI_Table9]	CORE_RESET_NTF table: table 5 in [NCI]
[PN7120_DS]	PN7120 Datasheet
[PN7120-NCI]	[NCI] + NXP proprietary extensions for the PN7120, in order to allow full access to all the features offered by the PN7120.
[AN 11562]	PN7120 Low Power Mode Configuration, Application Note 11562
[7816-4]	ISO/IEC7816-4
[14443-4]	ISO/IEC14443-4
[EMVCo]	EMVCo Book D; EMV Contactless Communication Protocol Specification v2.3.1
[NFC-IP1]	ISO/IEC 18092

## 18. Legal information

### 18.1 Definitions

**Draft** — The document is a draft version only. The content is still under internal review and subject to formal approval, which may result in modifications or additions. NXP Semiconductors does not give any representations or warranties as to the accuracy or completeness of information included herein and shall have no liability for the consequences of use of such information.

### 18.2 Disclaimers

**Limited warranty and liability** — Information in this document is believed to be accurate and reliable. However, NXP Semiconductors does not give any representations or warranties, expressed or implied, as to the accuracy or completeness of such information and shall have no liability for the consequences of use of such information. NXP Semiconductors takes no responsibility for the content in this document if provided by an information source outside of NXP Semiconductors.

In no event shall NXP Semiconductors be liable for any indirect, incidental, punitive, special or consequential damages (including - without limitation - lost profits, lost savings, business interruption, costs related to the removal or replacement of any products or rework charges) whether or not such damages are based on tort (including negligence), warranty, breach of contract or any other legal theory.

Notwithstanding any damages that customer might incur for any reason whatsoever, NXP Semiconductors' aggregate and cumulative liability towards customer for the products described herein shall be limited in accordance with the *Terms and conditions of commercial sale* of NXP Semiconductors.

**Right to make changes** — NXP Semiconductors reserves the right to make changes to information published in this document, including without limitation specifications and product descriptions, at any time and without notice. This document supersedes and replaces all information supplied prior to the publication hereof.

**Suitability for use** — NXP Semiconductors products are not designed, authorized or warranted to be suitable for use in life support, life-critical or safety-critical systems or equipment, nor in applications where failure or malfunction of an NXP Semiconductors product can reasonably be expected to result in personal injury, death or severe property or environmental damage. NXP Semiconductors and its suppliers accept no liability for inclusion and/or use of NXP Semiconductors products in such equipment or applications and therefore such inclusion and/or use is at the customer's own risk.

**Applications** — Applications that are described herein for any of these products are for illustrative purposes only. NXP Semiconductors makes no representation or warranty that such applications will be suitable for the specified use without further testing or modification.

Customers are responsible for the design and operation of their applications and products using NXP Semiconductors products, and NXP Semiconductors accepts no liability for any assistance with applications or customer product design. It is customer's sole responsibility to determine whether the NXP Semiconductors product is suitable and fit for the customer's applications and products planned, as well as for the planned application and use of customer's third party customer(s). Customers should provide appropriate design and operating safeguards to minimize the risks associated with their applications and products.

NXP Semiconductors does not accept any liability related to any default, damage, costs or problem which is based on any weakness or default in the

customer's applications or products, or the application or use by customer's third party customer(s). Customer is responsible for doing all necessary testing for the customer's applications and products using NXP Semiconductors products in order to avoid a default of the applications and the products or of the application or use by customer's third party customer(s). NXP does not accept any liability in this respect.

**Export control** — This document as well as the item(s) described herein may be subject to export control regulations. Export might require a prior authorization from competent authorities.

**Translations** — A non-English (translated) version of a document is for reference only. The English version shall prevail in case of any discrepancy between the translated and English versions.

**Evaluation products** — This product is provided on an "as is" and "with all faults" basis for evaluation purposes only. NXP Semiconductors, its affiliates and their suppliers expressly disclaim all warranties, whether express, implied or statutory, including but not limited to the implied warranties of non-infringement, merchantability and fitness for a particular purpose. The entire risk as to the quality, or arising out of the use or performance, of this product remains with customer.

In no event shall NXP Semiconductors, its affiliates or their suppliers be liable to customer for any special, indirect, consequential, punitive or incidental damages (including without limitation damages for loss of business, business interruption, loss of use, loss of data or information, and the like) arising out of the use of or inability to use the product, whether or not based on tort (including negligence), strict liability, breach of contract, breach of warranty or any other theory, even if advised of the possibility of such damages.

Notwithstanding any damages that customer might incur for any reason whatsoever (including without limitation, all damages referenced above and all direct or general damages), the entire liability of NXP Semiconductors, its affiliates and their suppliers and customer's exclusive remedy for all of the foregoing shall be limited to actual damages incurred by customer based on reasonable reliance up to the greater of the amount actually paid by customer for the product or five dollars (US\$5.00). The foregoing limitations, exclusions and disclaimers shall apply to the maximum extent permitted by applicable law, even if any remedy fails of its essential purpose.

### 18.3 Licenses

#### Purchase of NXP ICs with NFC technology

Purchase of an NXP Semiconductors IC that complies with one of the Near Field Communication (NFC) standards ISO/IEC 18092 and ISO/IEC 21481 does not convey an implied license under any patent right infringed by implementation of any of those standards.

### 18.4 Trademarks

Notice: All referenced brands, product names, service names and trademarks are property of their respective owners.

**MIFARE** — is a trademark of NXP Semiconductors N.V.

**DESFire** — is a trademark of NXP Semiconductors N.V.

**MIFARE Plus** — is a trademark of NXP Semiconductors N.V.

**MIFARE Ultralight** — is a trademark of NXP Semiconductors N.V.

## 19. List of figures

Fig 1.	PN7120 system architecture .....	5	Fig 35.	Comparison of the RF Discovery with the LPCD disabled or enabled .....	73
Fig 2.	Reader/Writer hosted by the DH .....	6	Fig 36.	Illustration of the Low Power Card detector and the subsequent Technology Detection cycles	74
Fig 3.	Card Emulated by the DH-NFCEE .....	7	Fig 37.	RF Discovery sequence in case of EMVCo profile .....	76
Fig 4.	P2P hosted by the DH .....	8	Fig 38.	EMVCo polling without a card in the field .....	76
Fig 5.	RF discovery sequence in case of NFC FORUM profile .....	9	Fig 39.	EMVCo polling with an NFC-A card in the field .....	77
Fig 6.	Power consumption during RF discovery sequence in case of NFC forum profile .....	10	Fig 40.	EMVCo Listening with an NFC-A activated first by the PCD and then NFC-B activated first, after Field OFF/ON sequence .....	79
Fig 7.	NCI components .....	11	Fig 41.	Poll Mode hosted by the DH, NFC-A, ISO-DEP protocol / RF Frame Interface .....	96
Fig 8.	NCI concepts .....	12	Fig 42.	Poll Mode hosted by the DH, NFC-A, ISO-DEP protocol / ISO-DEP Interface .....	97
Fig 9.	Control Message Exchange .....	13	Fig 43.	Poll Mode hosted by the DH, : 2 NFC-A Cards, ISO-DEP protocol / ISO-DEP Interface .....	98
Fig 10.	Data Message Exchange .....	13	Fig 44.	Poll Mode hosted by the DH, : 1 NFC-A Device, 2 RF protocols (merged SAK) .....	99
Fig 11.	NCI Core Packet Format .....	16	Fig 45.	Card Emulation in DH, NFC-A, ISO-DEP protocol / ISO-DEP Interface, optional PPS ..	100
Fig 12.	Control Packet Format .....	17	Fig 46.	Card Emulation in DH, NFC-B, ISO-DEP protocol / ISO-DEP Interface .....	101
Fig 13.	Data Packet Structure .....	18	Fig 47.	P2P/Target in DH, NFC-A Passive, NFC-DEP protocol / NFC-DEP Interface, NO PSL .....	102
Fig 14.	I <sup>2</sup> C Write sequence .....	21	Fig 48.	P2P/Target in DH, NFC-A Passive, NFC-DEP protocol / NFC-DEP Interface + PSL .....	103
Fig 15.	I <sup>2</sup> C Read sequence .....	22	Fig 49.	P2P/Initiator in DH, NFC-A Passive, NFC-DEP protocol / NFC-DEP RF Interface .....	104
Fig 16.	I <sup>2</sup> C Read sequence with split mode .....	23	Fig 50.	P2P/Target in DH, NFC- A or NFC-F Active, NFC-DEP protocol / NFC-DEP Interface, NO PSL .....	105
Fig 17.	I <sup>2</sup> C transport fragmentation algorithm, from DH point of view .....	25	Fig 51.	P2P/Target in DH, NFC- A or NFC-F Active, NFC-DEP protocol / NFC-DEP Interface + PSL .....	106
Fig 18.	I <sup>2</sup> C Fragmentation when 1 NCI message = 1 NCI packet .....	26	Fig 52.	P2P/Initiator in DH, NFC-A Active, NFC-DEP protocol / NFC-DEP RF Interface .....	107
Fig 19.	I <sup>2</sup> C Fragmentation when 1 NCI message is segmented into NCI packets .....	26	Fig 53.	RF State Machine when the Frame RF interface is used .....	108
Fig 20.	NFC FORUM Device architecture .....	28	Fig 54.	RF State Machine when the DH-NFCEE Direct RF interface is used .....	109
Fig 21.	[NCI] RF Interface Architecture .....	30	Fig 55.	RF State Machine when the ISO-DEP RF interface is used .....	110
Fig 22.	CMDs/RSPs versus the current state of the NCI RF State Machine .....	35	Fig 56.	RF State Machine when the NFC-DEP RF interface is used .....	111
Fig 23.	States added to the [NCI] State Machine .....	36			
Fig 24.	Regular & Extended TLVs comparison .....	38			
Fig 25.	Initialization sequence to prepare the PN7120 operation (Keep Configuration) .....	41			
Fig 26.	Full initialization sequence to prepare the PN7120 operation (Reset configuration) .....	42			
Fig 27.	TAG-CMD RF Interface .....	45			
Fig 28.	Data message payload for the TAG-CMD Interface .....	46			
Fig 29.	MIFARE Classic Reader Sequence .....	51			
Fig 30.	Format for Frame RF Interface (NFC-15693) for Transmission .....	60			
Fig 31.	Format for Frame RF Interface (NFC-15693) for Reception .....	61			
Fig 32.	RF Discovery sequence in case of NFC FORUM profile .....	70			
Fig 33.	RF Discovery sequence in case of NFC FORUM+ profile .....	71			
Fig 34.	RF Discovery sequence in case of Low Power Card Detector mode .....	73			

## 20. List of tables

Table 1.	MT values .....	16	Table 39.	MFC_Authenticate_REQ parameters.....	49
Table 2.	PBF Value.....	16	Table 40.	MFC_Authenticate_RSP .....	50
Table 3.	I <sup>2</sup> C pins correspondence.....	20	Table 41.	TAG-CMD RF Status code, in the special case of MFC_Authenticate_CMD .....	50
Table 4.	PN7120 I <sup>2</sup> C slave address .....	20	Table 42.	Tag/Cards accessible over the TAG-CMD Interface .....	52
Table 5.	Features overview.....	27	Table 43.	Configuration seq. for R/W of T1T, T2T & MFC through the TAG-CMD Interface .....	52
Table 6.	Logical Connections/Credits configuration .....	28	Table 44.	Configuration seq. for Reader/Writer of T3T through the Frame RF Interface .....	52
Table 7.	Status on the compliance to [NCI] control messages.....	28	Table 45.	Tag/Cards accessible over the Frame RF Interface .....	53
Table 8.	NCI Interface limitations .....	30	Table 46.	Configuration seq. for R/W of NFC-A / ISO-DEP through the Frame RF interface .....	53
Table 9.	Compliance to [NCI] configuration parameters.....	31	Table 47.	Configuration seq. for R/W of NFC-B / ISO-DEP through the Frame RF interface .....	54
Table 10.	Proprietary RF protocols .....	32	Table 48.	Tag/Cards accessible over the ISO-DEP RF Interface .....	54
Table 11.	Proprietary Bit rates .....	33	Table 49.	Configuration seq. for R/W of NFC-A / ISO-DEP through the ISO-DEP interface.....	54
Table 12.	RF Interfaces extension .....	33	Table 50.	Configuration seq. for R/W of NFC-B / ISO-DEP through the ISO-DEP interface.....	55
Table 13.	PN7120-NCI additional commands/notifications .....	33	Table 51.	RF_PRES-CHECK_CMD .....	56
Table 14.	Overview of additional Configuration parameters .....	37	Table 52.	RF_PRES-CHECK_RSP.....	56
Table 15.	Parameter space.....	37	Table 53.	RF_PRES-CHECK_RSP parameters.....	56
Table 16.	Extended TLV for proprietary parameters .....	37	Table 54.	RF_PRES-CHECK_NTF .....	56
Table 17.	Proprietary Status Codes .....	38	Table 55.	RF_PRES-CHECK_NTF parameters.....	56
Table 18.	Proprietary Reason Codes in CORE_RESET_NTF .....	38	Table 56.	Table 74: Activation Parameters for NFC-A/ISO-DEP Poll Mode.....	58
Table 19.	CORE_RESET_NTF when reason code = 0xA0 is used .....	38	Table 57.	NFC-15693 compliant Tag/Cards accessible over the Frame RF Interface .....	59
Table 20.	Proprietary RF Technology & Mode parameters .....	39	Table 58.	Configuration seq. for R/W of NFC-15693 through the Frame RF Interface .....	59
Table 21.	Comparison of the 2 Reset Modes.....	40	Table 59.	Specific parameters for NFC_15693 Poll Mode .....	59
Table 22.	Manufacturer specific information in CORE_INIT_RSP .....	40	Table 60.	Kovio specific RF parameters inside the RF_INTF_ACTIVATED_NF.....	62
Table 23.	NCI_PROPRIETARY_ACT_CMD .....	43	Table 61.	Configuration seq. for Reader/Writer of Kovio tags through the Frame RF Intf .....	62
Table 24.	NCI_PROPRIETARY_ACT_RSP.....	43	Table 62.	Configuration seq. for ISO-DEP/NFC-A Card Emulation in the DH over ISO-DEP RF Interface .....	63
Table 25.	NCI_PROPRIETARY_ACT_RSP parameters.....	43	Table 63.	Configuration seq. for ISO-DEP/NFC-B Card Emulation in the DH over ISO-DEP RF Interface .....	63
Table 26.	Template for a typical configuration sequence.....	43	Table 64.	Config. seq. for NFC-DEP/NFC-A&F Passive Target in the DH over NFC-DEP RF Intf .....	64
Table 27.	Clock sources supported.....	44	Table 65.	Config. seq. for NFC-DEP/NFC-A&F Passive Initiator in the DH over NFC-DEP RF Intf .....	65
Table 28.	Tag/Cards accessible over the [NCI] Frame RF Interface .....	44			
Table 29.	Configuration seq. for Reader/Writer of T1T or T2T through the Frame RF Intf .....	45			
Table 30.	TAG-CMD RF Status code.....	46			
Table 31.	Acronyms definition.....	47			
Table 32.	List of REQuests & ReSPonses.....	48			
Table 33.	XCHG_DATA_REQ .....	48			
Table 34.	XCHG_DATA_RSP.....	48			
Table 35.	MF_SectorSel_REQ .....	49			
Table 36.	MF_SectorSel_REQ parameter .....	49			
Table 37.	MF_SectorSel_RSP.....	49			
Table 38.	MFC_Authenticate_REQ.....	49			

Table 66.	Config. seq. for NFC-DEP/NFC-A&F Active Target in the DH over NFC-DEP RF Intf.....	66
Table 67.	Config. seq. for NFC-DEP/NFC-A&F Active Initiator in the DH over NFC-DEP RF Intf.....	66
Table 68.	Parameters used to configure the overall period of the RF Discovery: .....	74
Table 69.	RF_LPCD_TRACE_NTF.....	75
Table 70.	RF_LPCD_TRACE_NTF parameters .....	75
Table 71.	Action in POLL_ACTIVE depending on POLL_PROFILE_SEL_CFG and on the NCI RF_DEACTIVATE_CMD.....	78
Table 72.	CORE_SET_POWER_MODE_CMD .....	79
Table 73.	CORE_SET_POWER_MODE_CMD parameter .....	80
Table 74.	CORE_SET_POWER_MODE_RSP .....	80
Table 75.	CORE_SET_POWER_MODE_RSP parameter .....	80
Table 76.	Core configuration parameters.....	81
Table 77.	Poll Mode configuration .....	85
Table 78.	Listen Mode Configuration .....	90
Table 79.	Mechanism to configure the RF transitions: ....	91
Table 80.	RF_GET_TRANSITION_CMD .....	91
Table 81.	RF_GET_TRANSITION_CMD parameters ....	91
Table 82.	RF_GET_TRANSITION_RSP .....	92
Table 83.	RF_GET_TRANSITION_RSP parameters.....	92
Table 84.	TEST_ANTENNA_CMD.....	93
Table 85.	TEST_ANTENNA_CMD parameters .....	93
Table 86.	Parameters to include in TEST_ANTENNA_CMD.....	93
Table 87.	TEST_ANTENNA_RSP .....	94
Table 88.	TEST_ANTENNA_RSP parameters .....	94
Table 89.	TEST_PRBS_CMD .....	94
Table 90.	TEST_PRBS_CMD parameters.....	94
Table 91.	TEST_PRBS_RSP.....	95
Table 92.	TEST_PRBS_RSP parameters.....	95
Table 93.	[PN7120-NCI] extensions to Control Messages .....	112
Table 94.	List of REQs & RSPs .....	112
Table 95.	Abbreviations .....	113
Table 96.	References.....	114



## 21. Contents

<b>1.</b>	<b>Introduction .....</b>	<b>3</b>		
<b>2.</b>	<b>The PN7120 architecture overview .....</b>	<b>4</b>		
2.1	Reader/Writer Operation in Poll Mode .....	5		
2.2	Card Emulation Operation in Listen Mode .....	7		
2.3	Peer to Peer Operation in Listen & Poll Mode....	8		
2.4	Combined Modes of Operation .....	9		
<b>3.</b>	<b>NCI Overview .....</b>	<b>11</b>		
3.1	NCI Components.....	11		
3.1.1	NCI Modules .....	11		
3.1.2	NCI Core .....	11		
3.1.3	Transport Mappings .....	12		
3.2	NCI Concepts.....	12		
3.2.1	Control Messages .....	12		
3.2.2	Data Messages .....	13		
3.2.3	Interfaces .....	14		
3.2.4	RF Communication .....	14		
3.2.5	NFCEE Communication .....	15		
3.2.6	Identifiers.....	15		
3.3	NCI Packet Format.....	16		
3.3.1	Common Packet Header .....	16		
3.3.2	Control Packets.....	17		
3.3.3	Data Packets.....	18		
3.3.4	Segmentation and Reassembly .....	19		
<b>4.</b>	<b>DH interface .....</b>	<b>20</b>		
4.1	Introduction .....	20		
4.2	RF Booster .....	20		
4.3	NCI Transport Mapping.....	21		
4.4	Write Sequence from the DH .....	21		
4.5	Read Sequence from the DH .....	21		
4.6	Split mode .....	22		
4.7	Optional transport fragmentation.....	23		
4.7.1	Description of the I <sup>2</sup> C fragmentation:.....	23		
4.7.2	Illustration of the I <sup>2</sup> C fragmentation: .....	25		
<b>5.</b>	<b>Compliance to [NCI] and PN7120 extensions .</b>	<b>27</b>		
5.1	Feature-based comparison of [NCI] and [PN7120-NCI].....	27		
5.2	[NCI] Implementation in the PN7120.....	27		
5.2.1	Logical connections & credits.....	27		
5.2.2	Compliance to [NCI] control messages .....	28		
5.2.3	Compliance to [NCI] RF Interfaces.....	29		
5.2.4	Compliance to [NCI] RF Discovery.....	30		
5.2.5	Compliance to [NCI] configuration parameters.....	30		
5.2.6	Compliance to [NCI] data messages.....	32		
5.3	Extensions added to [NCI] to allow full control of the PN7120 .....	32		
5.3.1	[PN7120-NCI] extensions to [NCI] RF Protocols .....	32		
5.3.2	[PN7120-NCI] extensions to [NCI] Bit Rates in ISO15693 and NFC-F .....	33		
5.3.3	[PN7120-NCI] extensions to [NCI] RF Interfaces .....	33		
5.3.4	[PN7120-NCI] extensions to [NCI] Control messages.....	33		
5.3.5	[PN7120-NCI] extensions to [NCI] Configuration parameters .....	36		
5.3.6	[PN7120-NCI] extensions to [NCI] proprietary parameters space.....	37		
5.3.7	[PN7120-NCI] extensions to [NCI] Status Codes .....	38		
5.3.8	[PN7120-NCI] extensions to [NCI] Reason Code in CORE_RESET_NTF .....	38		
5.3.9	[PN7120-NCI] extensions to [NCI] RF Technology & Mode .....	39		
<b>6.</b>	<b>Initialization &amp; Operation configuration.....</b>	<b>40</b>		
6.1	Reset / Initialization .....	40		
6.2	Manufacturer Specific Information in [NCI] CORE_INIT_RSP.....	40		
6.3	Whole sequence to prepare the PN7120 operation .....	40		
6.3.1	Proprietary command to enable proprietary extensions .....	42		
6.3.2	Configuration template .....	43		
6.4	PLL input Clock Management .....	43		
<b>7.</b>	<b>Poll side: Reader/Writer Mode.....</b>	<b>44</b>		
7.1	Reader/Writer hosted by the DH .....	44		
7.1.1	T1T, T2T, MIFARE Ultralight, MIFARE Classic & MIFARE Plus tags .....	44		
7.1.1.1	Access through the [NCI] Frame RF Interface..	44		
7.1.1.2	[PN7120-NCI] extension: TAG-CMD Interface ..	45		
7.1.1.3	[PN7120-NCI] extension: Payload structure of the TAG-CMD RF Interface .....	46		
7.1.1.4	[PN7120-NCI] extension: REQs & RSPs rules ..	47		
7.1.1.5	[PN7120-NCI] extension: List of REQs & RSPs .....	47		
7.1.1.6	[PN7120-NCI] extension: raw data exchange REQs & RSPs .....	48		
7.1.1.7	[PN7120-NCI] extension: T2T & MFU REQs & RSPs .....	49		
7.1.1.8	[PN7120-NCI] extension: MIFARE Classic REQs & RSPs.....	49		
7.1.1.9	Access through the TAG-CMD RF Interface ....	52		

7.1.2	T3T tag.....	52	10.5.2	EMVCo profile in Listen Mode.....	78
7.1.2.1	Access through the Frame RF Interface .....	52	10.5.2.1	Configuring PN7120 to behave as a single EMVCo card in Listen.....	78
7.1.3	T4T & ISO-DEP Tags/Cards.....	53	10.6	[PN7120-NCI] extension: Power optimization... 79	
7.1.3.1	Access through the Frame RF Interface .....	53	10.6.1	CORE_SET_POWER_MODE Command/Response.....	79
7.1.3.2	Access through the ISO-DEP RF Interface .....	54			
7.1.3.3	[PN7120-NCI] extension: Presence check Command/Response .....	55	<b>11.</b>	<b>Configurations .....</b>	<b>81</b>
7.1.3.4	[PN7120-NCI] extension: Higher bit rates in Poll NFC-A & NFC-B.....	56	11.1	[PN7120-NCI] extension: System configurations .....	81
7.1.4	[PN7120-NCI] extension: 15693 & I-Code tags	59	11.2	[PN7120-NCI] extension: RF Discovery configuration.....	85
7.1.4.1	Access through the Frame RF Interface .....	59	11.2.1	Poll Mode .....	85
7.1.4.2	[PN7120-NCI] extension: Specific parameters for NFC_15693 Poll Mode.....	59	11.2.2	Listen Mode.....	90
7.1.4.3	[PN7120-NCI] extension: Data Mapping between the DH and RF .....	59	11.3	[PN7120-NCI] extension: Contactless Interface configurations .....	91
7.1.4.4	PN7120 behavior with multiple VICCs .....	61	<b>12.</b>	<b>PRBS Test Mode.....</b>	<b>93</b>
7.1.5	[PN7120-NCI] extension: KOVIO tags .....	61	<b>13.</b>	<b>PN7120 Practical approach.....</b>	<b>96</b>
7.1.5.1	Access through the [NCI] Frame RF Interface .....	62	13.1	Basic examples for Reader/Writer (R/W) Mode	96
<b>8.</b>	<b>Listen side: Card Emulation Mode.....</b>	<b>62</b>	13.1.1	R/W Mode from DH (1 NFC Endpoint) .....	96
8.1	ISO-DEP based on NFC-A & NFC-B .....	62	13.1.2	R/W Mode from DH (2 NFC Endpoints) .....	98
<b>9.</b>	<b>Poll &amp; Listen sides: P2P Initiator &amp; Target Mode .....</b>	<b>64</b>	13.2	Basic examples for Card Emulation (CE) Mode .....	100
9.1	P2P Passive mode.....	64	13.3	Basic examples for Peer-to-Peer (P2P) Passive Mode .....	102
9.2	P2P Active mode.....	66	13.3.1	Target in P2P Passive Mode / NFC-A @ 106kbps.....	102
9.2.1.1	Access through the Frame RF Interface .....	66	13.3.2	Initiator in P2P Passive Mode.....	104
9.2.1.2	Access through the NFC-DEP RF Interface.....	66	13.4	Basic examples for Peer-to-Peer (P2P) Active Mode .....	105
9.3	Presence check command.....	67	13.4.1	Target in P2P Active Mode.....	105
<b>10.</b>	<b>RF Discovery (Polling Loop) Management.....</b>	<b>68</b>	13.4.2	Initiator in P2P Active Mode .....	107
10.1	RF Discovery functionalities .....	68	<b>14.</b>	<b>Annex A: details on RF state machine for [PN7120_0802] .....</b>	<b>108</b>
10.1.1	RF Discovery State Machine.....	68	<b>15.</b>	<b>Annex B: List of [PN7120-NCI] extensions to Control Messages + List of TAG-CMD REQs &amp; RSPs .....</b>	<b>112</b>
10.2	NFC FORUM Profile as defined in [NCI] .....	69	<b>16.</b>	<b>Abbreviations.....</b>	<b>113</b>
10.3	[PN7120-NCI] extension: additional technologies not yet supported by the NFC FORUM .....	70	<b>17.</b>	<b>References .....</b>	<b>114</b>
10.4	[PN7120-NCI] extension: Low Power Card Detector (LPCD) Mode.....	72	<b>18.</b>	<b>Legal information .....</b>	<b>115</b>
10.4.1	Description .....	72	18.1	Definitions.....	115
10.4.2	Configuration of the Technology Detection Activity when the LPCD has detected an "object" .....	74	18.2	Disclaimers.....	115
10.4.3	Notification when the Trace Mode is enabled... 74		18.3	Licenses .....	115
10.5	[PN7120-NCI] extension: EMVCo Profile in Poll & Listen Modes .....	75	18.4	Trademarks .....	115
10.5.1	EMVCo profile in Poll Mode .....	75	<b>19.</b>	<b>List of figures.....</b>	<b>116</b>
10.5.1.1	Configuring PN7120 to implement the EMVCo polling loop profile .....	75	<b>20.</b>	<b>List of tables .....</b>	<b>117</b>
10.5.1.2	Notification for RF technology collision .....	77	<b>21.</b>	<b>Contents.....</b>	<b>119</b>
10.5.1.3	Modification of the NCI RF State Machine in case of failure during data exchange .....	77			
10.5.1.4	Deactivation procedures as requested by EMVCo 2.3.1 (or later) .....	78			

Please be aware that important notices concerning this document and the product(s) described herein, have been included in the section 'Legal information'.