

Warranty

This product is warranted to the retail consumer for 90 days from date of retail purchase, against defects in material and workmanship.

WHAT IS COVERED

- Replacement parts and labor.
- Transportation charges to customer for the repaired product.

WHAT IS NOT COVERED

- Commercial or industrial use of this product.
- Damage caused by abuse, accident, misuse, or neglect.
- Transportation of the unit or component from the customer to Koolatron.

IMPLIED WARRANTIES

Any implied warranties, including the implied warranty of merchantability are also limited to duration of 90 days from the date of retail purchase.

WARRANTY REGISTRATION

Register on-line at www.koolatron.com AND keep the original, dated, sales receipt with this manual.

WARRANTY AND SERVICE PROCEDURE

If you have a problem with your unit, or you require replacement parts, please telephone the following number for assistance: **1-800-265-8456**

A Koolatron Master Service Centre must perform all warranty work. Service after warranty may be obtained at a Master Service Centre or at an authorized service dealer. Purchase Receipt is required to establish warranty eligibility.

Koolatron has Master Service Centres at these locations:

U.S.A.

4330 Commerce Dr.
Batavia, NY 14020-4102 U.S.A.

Canada

139 Copernicus Blvd.
Brantford, ON N3P 1N4 Canada



6-bottle WINE CELLAR



www.koolatron.com

©2014 Koolatron, Inc. All rights reserved.

All specifications are subject to change without notice.

H1S173

07/2014-v1

WC06
User Manual

FEATURES

- free-standing
- capacity: 6 bottles x 25 fl. oz. (750 mL)
- digitally adjustable temperature
- temperature range: 46°F to 64°F (8°C to 18°C)
- tempered mirror glass doors
- removable shelves
- dark interior/soft interior light
- adjustable leveling feet
- advanced heat dissipation system
- vibration free

SPECIFICATIONS

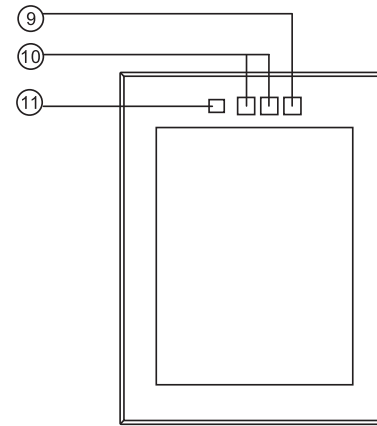
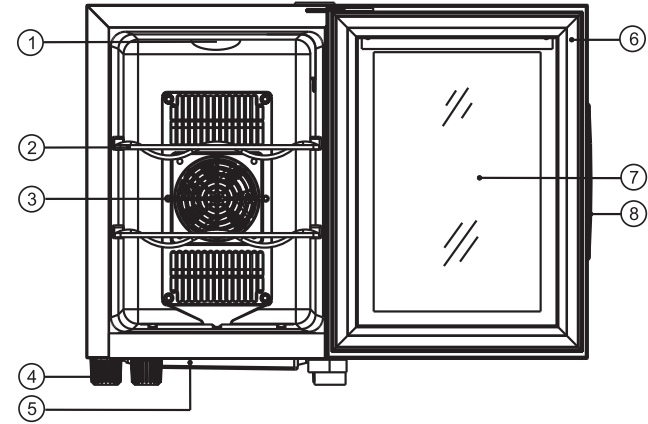
Power Requirements:	AC 110-120V 60Hz 50W
Max. Temp.:	64°F +/- 5°F (18°C +/- 3°C) at 72°F (22°C) ambient air temp.
Min. Temp.:	46°F +/- 5°F (8°C +/- 3°C) at 72°F (22°C) ambient air temp.

SAFETY

- Household Use Only.
- This unit is an indoor appliance. DO NOT use OUTDOORS.
- Place unit on a flat surface, away from heat sources
- Do not use the appliance if the plug or cable is damaged. If the power cord is damaged and/or is malfunctioning, please contact the manufacturer.
- Pull the plug out of the outlet to disconnect. DO NOT pull the cord.
- Do not touch the plug with wet hands.
- Never clean appliance parts with flammable fluids. Do not store or use gasoline or any other flammable vapors and liquids in the vicinity of this or any other appliance. The fumes can create a fire hazard or explosion.
- Unplug the appliance when not in use.

Use of extension cords

Because of potential safety hazards under certain conditions, we strongly recommend against the use of an extension cord. However, if you must use an extension cord, it is absolutely necessary that it is a UL-listed (in the United States) or a CSA-listed (in Canada), 3-wire grounding type appliance extension cord having a grounding type plug and outlet and that the electrical rating of the cord is 15 amperes (minimum) and 120 volts.



- | | |
|------------------|------------------------------|
| 1. Light | 7. Glass |
| 2. Shelf | 8. Door Frame |
| 3. Fan Mask | 9. Light Switch |
| 4. Foot | 10. Temperature Control Pane |
| 5. Drain Tray | 11. Temperature Display |
| 6. Magnetic Seal | |

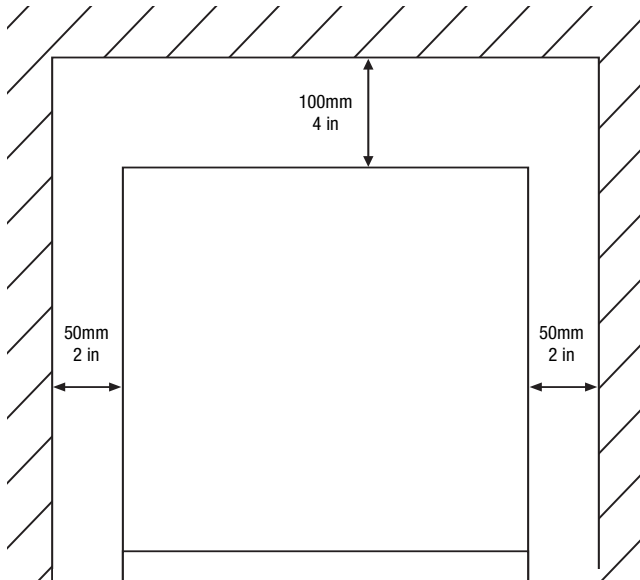
INSTALLATION

BEFORE USING YOUR WINE CELLAR

- Remove the exterior and interior packing.
- Before connecting the Wine Cellar to the power source, let it stand upright for approximately 2 hours. This will reduce the possibility of a malfunction in the cooling system from handling during transportation.
- Clean the interior surface with lukewarm water using a soft cloth.

INSTALLATION OF YOUR WINE CELLAR



- This appliance is designed for free standing installation. Allow 2" (50 mm) of space between the unit's side and 4" (100 mm) between back and the wall.
- Place your Wine Cellar on a floor that is strong enough to support it when it is fully loaded. To level your Wine Cellar, adjust the front leveling leg at the bottom of the Wine Cellar.
- Locate the Wine Cellar away from direct sunlight and sources of heat (stove, heater, radiator, etc.). Direct sunlight may affect the acrylic coating and heat sources may increase electrical consumption. Extreme cold ambient temperatures may also cause the unit not to perform properly.
- Avoid locating the unit in moist areas.
- Plug the Wine Cellar into an exclusive, properly installed-grounded wall outlet. Do not under any circumstances cut or remove the third (ground) prong from the power cord. Any questions concerning about power and/or grounding should be directed toward a certified electrician or an authorized products service center.



OPERATING INSTRUCTIONS

1. Insert the power plug into the power socket. Make sure the power socket is 110-120V AC/60Hz.



2. Set the desired cooling temperature by pressing the buttons  or  to set your desired temperature. Each depression of the buttons will scroll through the available temperature settings. Numbers will flash while setting. Solid numbers indicate the current internal temperature in Fahrenheit degrees.
3. Allow the empty Wine Cellar to operate for approx. 3 hours. This will allow it to reach the desired temperature.
4. Fill the wine cooler with your choice of wine bottles. Allow 24 hours of operation before the bottles reach the desired temperature.

The Wine Cellar should be placed where the ambient temperature is between 59°F to 77°F (15°C to 25°C). If the ambient temperature is above or below this range, the performance of the unit may be affected. For example, placing your unit in extreme cold or hot conditions may cause interior temperatures to fluctuate.

RECOMMENDED TEMPERATURES FOR CHILLING WINE

Red Wines: 58-65°F (15-18°C)

White Wines 46-57°F (8-15°C)

The above temperatures may fluctuate depending on whether the interior light is ON or OFF or the bottles are located on the upper/middle/lower section.

MAINTENANCE

CLEANING YOUR WINE CELLAR

- Turn off the power, unplug the appliance, and remove all items including shelves and rack.
- Wash the inside surfaces with warm water and baking soda solution. The solution should be about 2 tablespoons of baking soda with a quart of water.
- Wash the shelves with a mild detergent solution.
- Wring excess water out of the sponge or cloth when cleaning area of the controls, or any electrical parts.
- Wash the outside cabinet with warm water and mild liquid detergent. Rinse well and wipe dry with a clean soft cloth.

POWER FAILURE

Most power failures are corrected within a few hours and should not affect the temperature of your appliance if you minimize the number of times the door is opened. If the power is going to be off for a longer period of time, you need to take the proper steps to protect your contents.

VACATION TIME

- Short vacations: Leave the WINE COOLER operating during vacations of less than three weeks.
- Long vacations: If the appliance will not be used for several months, remove all items and turn off the appliance. Clean and dry the interior thoroughly. To prevent door and mold growth, leave the door open slightly; blocking it open if necessary.

MOVING YOUR WINE COOLER

- Remove all items.
- Securely tape down all loose items (shelves) inside your appliance.
- Turn the adjustable leg up to the base to avoid damage.
- Tape the door shut.
- Be sure the appliance stays secure in the upright position during transportation. Also protect the outside of the appliance with a blanket, or similar item.

ENERGY SAVING TIPS

The Wine Cellar should be located in the coolest area of the room, away from heat producing appliances, and out of the direct sunlight.

TROUBLESHOOTING GUIDE

You can solve many common appliance problems easily, saving you the cost of a possible service call. Try the suggestions below to see if you can solve the problem before calling the servicer.

PROBLEM	POSSIBLE CAUSE
Appliance does not operate.	Not plugged in. The circuit breaker tripped or a blown fuse.
Appliance is not cold enough.	Check the temperature control setting. External environment may require a higher setting. The door is opened too often. The door is not closed completely. The door gasket does not seal properly.
Turns on and off frequently.	The room temperature is hotter than normal. The door is opened too often. The door is not closed completely. The temperature control is not set correctly. The door gasket does not seal properly.
The light does not work.	Not plugged in. The circuit breaker tripped or a blown fuse. The bulb has burned out.
Vibrations.	Check to assure that the appliance is level.
The appliance seems to make too much noise.	Contraction and expansion of the inside walls may cause popping and crackling noises. The appliance is not level.
The door will not close properly.	The appliance is not level. The door was reversed and not properly installed. The gasket is dirty. The shelves are out of position.
Frost forming inside unit.	Too much humidity. The ambient temperature is too low. Unplug to defrost. Clean and plug again.