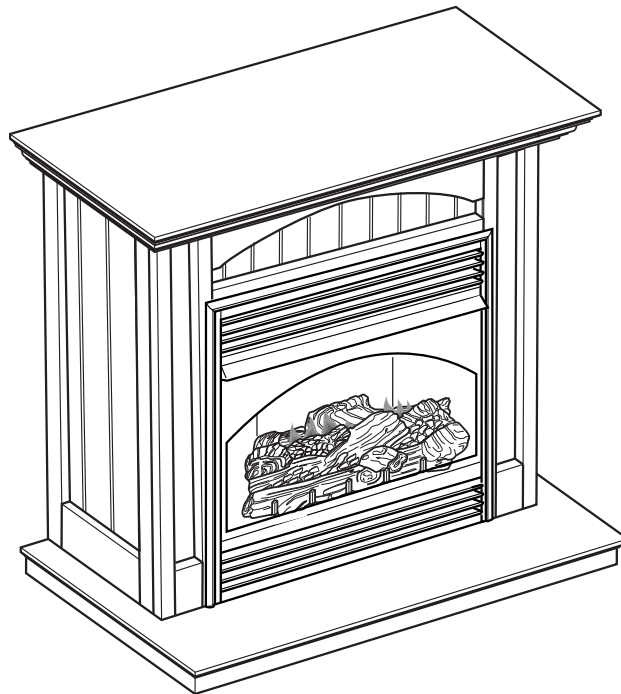


DESA™

HEATING PRODUCTS

WS26CP and WD26CPA Wall Mantel with Base and Trim ASSEMBLY AND INSTALLATION INSTRUCTIONS



IMPORTANT: Read entire instruction sheet before assembling or installing mantel kit.

This mantel is only approved for use with any DESA Heating Products 26" fireplace system. Do not use mantel with any other product.

- Mantel pieces - unassembled and marked as follows:
 - Base #1
 - Right Side #2 with arrow
 - Right Front Leg #3 with arrow
 - Left Side #4 with arrow
 - Left Front Leg #5 with arrow
 - Header #6 with arrow
 - Top #7
- Hardware package 117197-03
- Trim kit GAB6094
- Trim kit hardware 102866-01
- Bracket hardware kit 118983-01

The hardware package 117197-03 contains the following:

- 2 - 3" screws
- 18 - 1 1/4" screws

The bracket hardware kit 118983-01 contains the following:

- 13 - Brackets
- 2 - Flat brackets
- 36 - Wood screws

Tools and items required:

- #2 Phillips driver bit (3 1/2" minimum length)
- Slotted screw driver
- Measuring tape
- Pencil
- Drill Driver

If any wood pieces are missing or damaged, contact the dealer where you purchased this mantel for replacement. If hardware or trim is missing or damaged, contact DESA Heating Products at 1-866-672-6040 for referral and warranty information. You can also visit DESA Heating Products' technical service web site at www.desatech.com.

Note: Gather all mantel pieces together before assembling mantel.

WARNING: Only use 1 1/4" screws in pocket holes to assemble mantel. Damage to mantel will result if other screws are used for this purpose.

WARNING: Use only 1/2" or 3/4" screws with brackets in hardware pack 118983-01. Damage to mantel will result if other screws are used for this purpose.

ASSEMBLING MANTEL

IMPORTANT: More than one person is required to lift assembled mantel. Lift mantel by leg assemblies. Lifting by header or mantel top could damage mantel.

1. Lay right front leg (#3) on floor. Position right side (#2) as shown in Figure 1. Align predrilled screw holes in front leg and side. Make sure ends are flush. Attach with two or three 1 1/4" wood screws, depending on your model. Repeat for other leg using #4 and #5.
2. Each leg assembly will use 3 brackets for stability. Your bracket hardware kit will contain either 1/2" or 3/4" screws. Using two 1/2" or 3/4" screws, install a bracket in the center of each leg assembly and one at each end within 1" of but not over the last pocket hole (see Figure 2).
3. Place header (#6) between right and left leg assemblies (see Figure 3). The top of header must be flush with top of side leg assemblies. Attach header using 1 1/4" in pocket holes on each leg assembly as shown in Figure 3. Be sure you have proper alignment between the header and leg assemblies. Attach flat brackets with 1/2" or 3/4" screws using 1 flat bracket and 4 screws per side (see Figure 4).

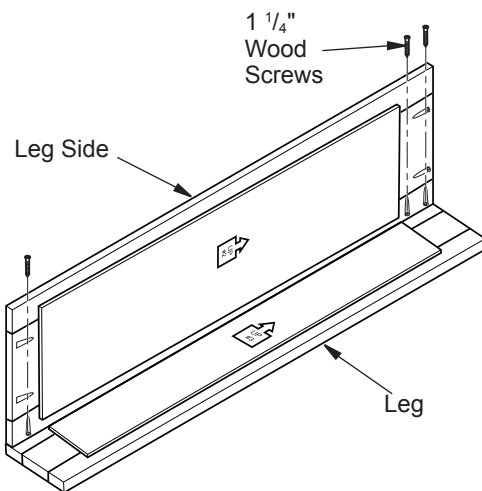


Figure 1 - Assembling Legs

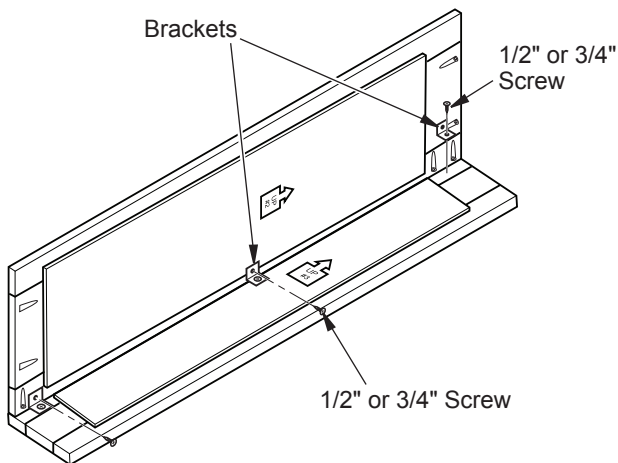


Figure 2 - Installing Brackets to Legs

4. Turn top (#7) and leg assembly upside down. Place leg assembly inside top (see Figure 5, page 3).
5. Make sure rear of leg assemblies are flush with back of top and mantel is centered left to right inside top. Square leg assemblies evenly with sides of mantel top, making certain gap between mantel top and leg assembly is the same from front to back. Use 1 1/4" screws in pocket holes in sides to attach to top of mantel (see Figure 5, page 3).
6. Attach supplemental brackets using 1/2" or 3/4" screws provided in bracket hardware pack. Use 3 brackets to attach top to mantel assembly - one at back of each leg assembly and one at center of header (see Figure 6, page 3).
7. Place mantel base (#1) next to wall at installation location. See fireplace owner's manual for installation clearances.

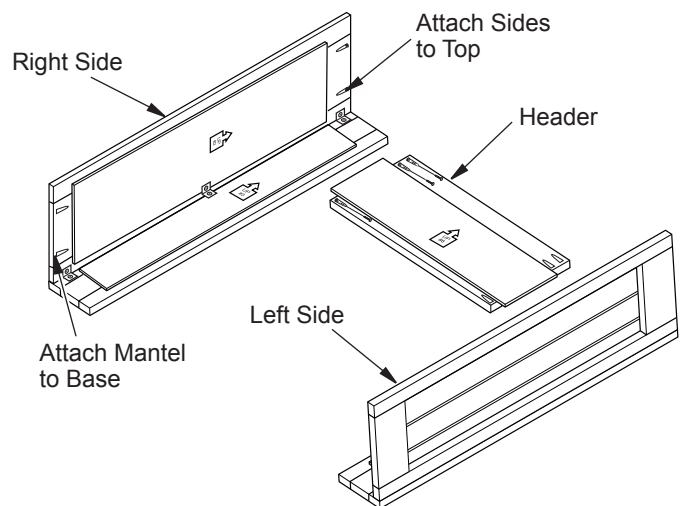


Figure 3 - Installing Header

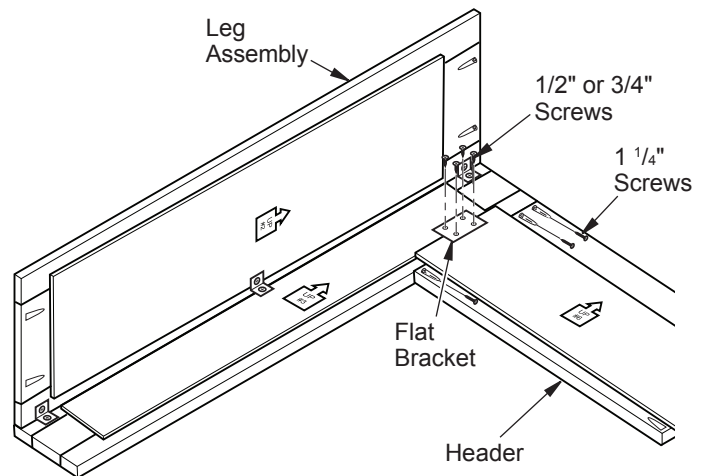


Figure 4 - Installing Header Brackets

8. Place mantel assembly onto mantel base and center left to right with back of assembly flush with back of base (see Figure 7, page 3). Use 1 1/4" screws in pocket holes to attach mantel assembly to mantel base. Using brackets and 1/2" or 3/4" screws from this hardware kit (118983-01) attach support brackets to base and mantel assembly - one at each back corner of the leg sides and one on each leg front (see Figure 7).

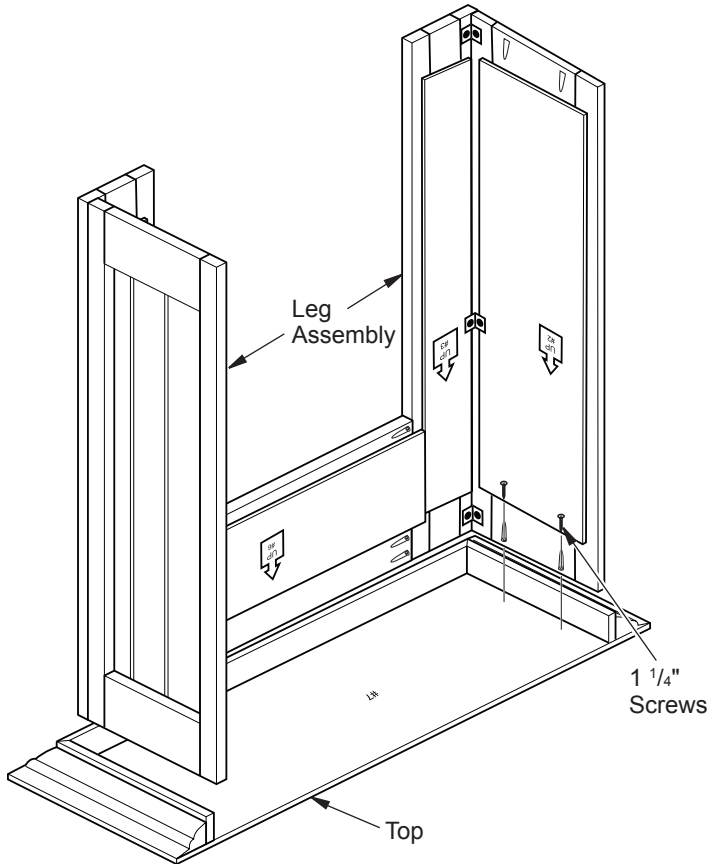


Figure 5 - Placing Mantel Assembly onto Mantel Top

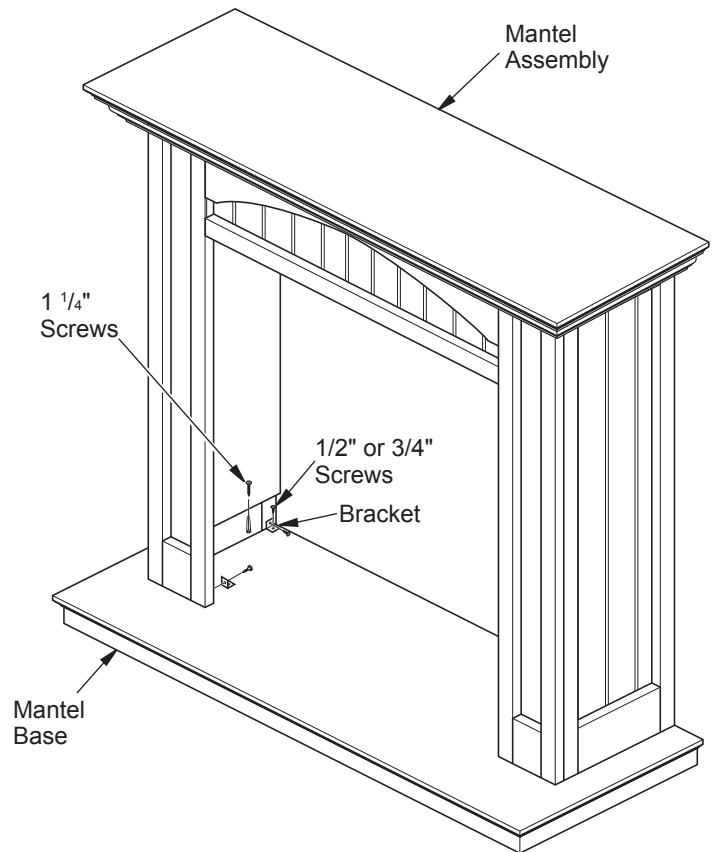


Figure 7 - Attaching Mantel Assembly to Base

ASSEMBLING TRIM (FOR GAS FIREPLACES ONLY)

1. Remove packaging from three pieces of trim.
2. Locate two adjusting plates with set screws, and two shims in the hardware packet.
3. Align shim under adjusting plate as shown in Figure 8.
4. Slide one end of adjusting plate/shim in slot on mitered edge of top trim (see Figure 8).
5. Slide other end of adjusting plate/shim in slot on mitered edge of side trim (see Figure 8).
6. While firmly holding edges of trim together, tighten both set screws on the adjusting plate with slotted screwdriver.
7. Repeat steps 2 through 6 for other corner.

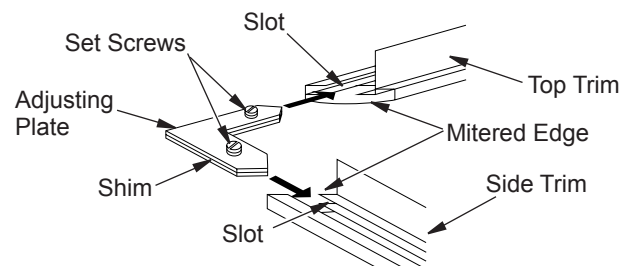


Figure 8 - Assembling Trim

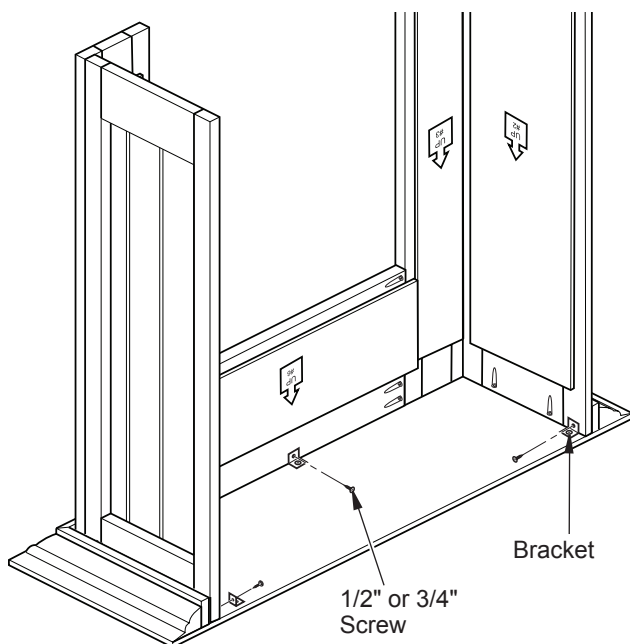


Figure 6 - Adding Brackets to Mantel Top

INSTALLING FIREPLACE

1. Fireplace should be fully assembled. See *Assembling Fireplace* in fireplace owner's manual.
2. Install gas line. See *Connecting To Gas Supply* in fireplace owner's manual. Remember to leave access to the gas shutoff valve somewhere on the base or where it is accessible to the user.
3. Check for leaks. See *Checking Gas Connections* in fireplace owner's manual.
4. Position firebox inside mantel, carefully positioning gas lines (see Figure 9). **IMPORTANT:** Use caution when positioning fireplace on mantel base. Base may scratch easily.
5. Place trim kit on the shoulder screws located on the side and top of the fireplace. Firmly snap the trim over the shoulder screws on fireplace (see Figure 9). Align fireplace in mantel assembly so that the trim overlaps the mantel evenly on all three sides.
6. Lower bottom louver door. Use two 3" wood screws provided in hardware package and attach fireplace base to wooden base (see Figure 10). Close louver door.

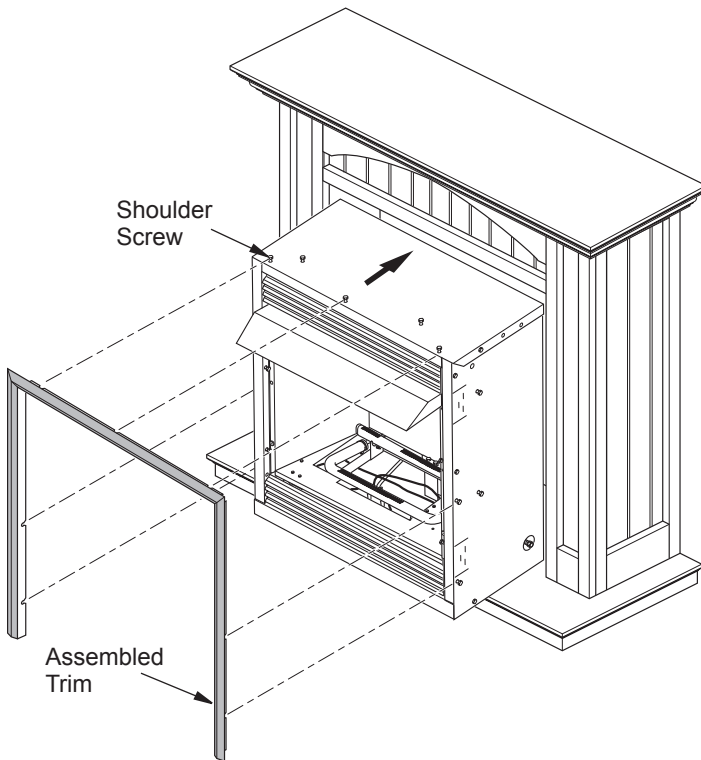


Figure 9 - Inserting Fireplace Into Cabinet Mantel

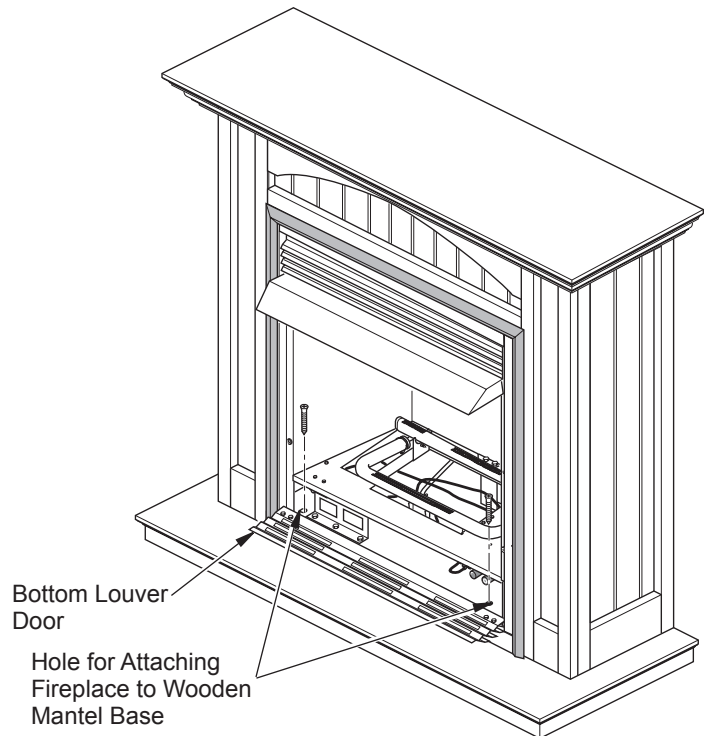


Figure 10 - Attaching Fireplace to Mantel Base

DESA
HEATING PRODUCTS

2701 Industrial Drive
P.O. Box 90004
Bowling Green, KY 42102-9004
Technical Service and Parts:
1-866-672-6040



119793 01
NOT A UPC

119793-01
Rev. B
09/06