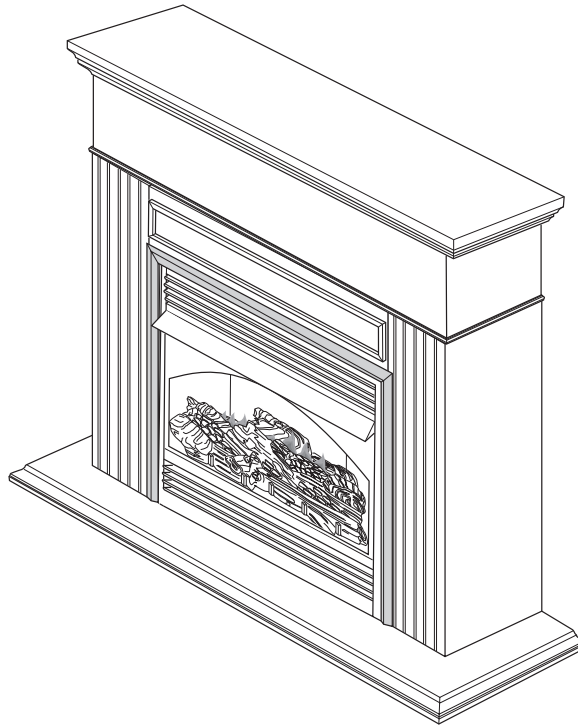


DESA™

HEATING PRODUCTS

W32KCSA and W32KPA Wall Mantel and Base with Trim ASSEMBLY AND INSTALLATION INSTRUCTIONS



IMPORTANT: Read entire instruction sheet before assembling or installing mantel kit.

These mantels are only approved for use with any DESA Heating Products 32" electric fireplace system or firebox. Do not use mantel with any other product.

This mantel kit contains the following:

- Mantel pieces (unassembled)
- Hardware package 117197-14
- Black trim kit PT32
- Trim kit hardware 102866-01
- Bracket hardware kit (2) 118983-01

The hardware package 117197-14 contains the following:

- 64 - 1 1/4" Screws
- 2 - Trim Plate
- 4 - Set Screws
- 2 - Trim Shim
- 2 - 3" Screws

The bracket hardware kit 118983-01 contains the following:

- 13 - Brackets
- 2 - Flat Brackets
- 36 - Wood Screws

Tools required:

- #2 Phillips screw driver (3 1/2" minimum length)
- Slotted screw driver
- Measuring tape
- Pencil
- Drill Driver

If any wood pieces are missing or damaged, contact the dealer where you purchased this mantel for replacement. If hardware or trim is missing or damaged, contact DESA Heating Products at 1-866-672-6040 for referral and warranty information. You can also visit DESA Heating Products' technical service web site at www.desatech.com.

Note: Gather all mantel pieces together before assembling mantel.

⚠ WARNING: Only use 1 1/4" screws in pocket holes to assemble mantel. Damage to mantel will result if other screws are used for this purpose.

⚠ WARNING: Use only 1/2" or 3/4" screws with brackets in hardware pack 118983-01. Damage to mantel will result if other screws are used for this purpose.

ASSEMBLING MANTEL

IMPORTANT: More than one person is required to lift assembled mantel. Lift mantel by leg assemblies. Lifting by header or mantel top could damage mantel.

1. Some models require side/corner assembly. For these models, lay leg side on floor. Position leg as shown in Figure 1. Align bottom and attach with screws provided. Repeat for other side.
2. Each leg assembly will use 3 brackets for stability. Your bracket hardware kit will contain either 1/2" or 3/4" screws. Using two 1/2" or 3/4" screws, install a bracket in the center of each leg assembly and one at each end within 1" of but not over the last pocket hole (see Figure 2).
3. For all models, place header between right and left leg assemblies (see Figure 3). Make sure header and legs are snug against each other. The top of header must be flush with tops of leg assemblies. Attach header using 1 1/4" in pocket holes on each leg assembly as shown in Figure 4. Be sure you have proper alignment between the header and leg assemblies. Attach flat brackets with 1/2" or 3/4" screws using 1 flat bracket and 4 screws per side (see Figure 4).

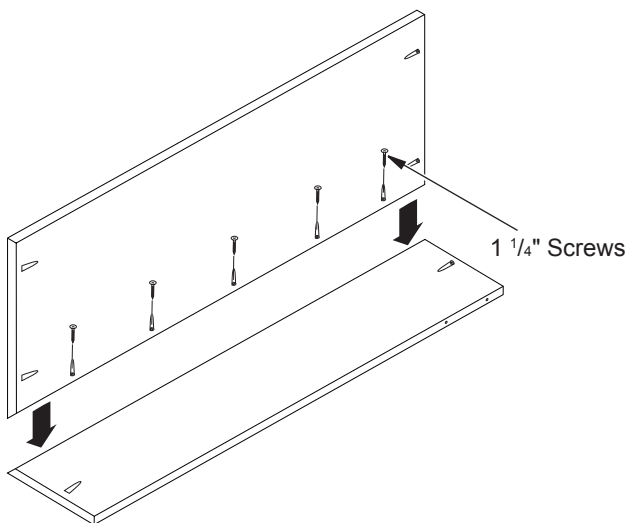


Figure 1 - Assembling Legs

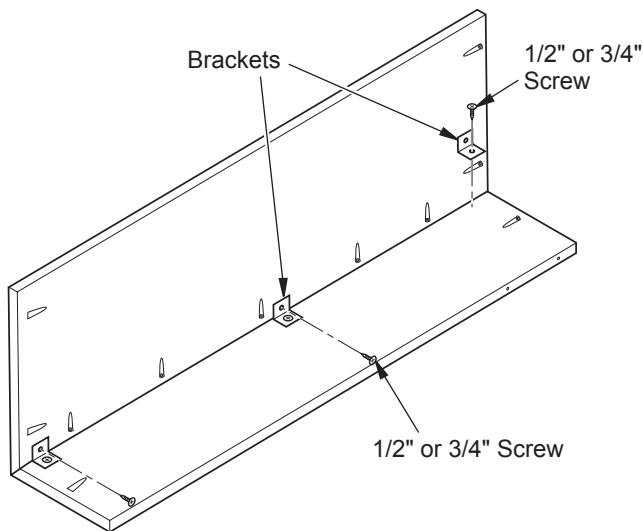


Figure 2 - Attaching Brackets

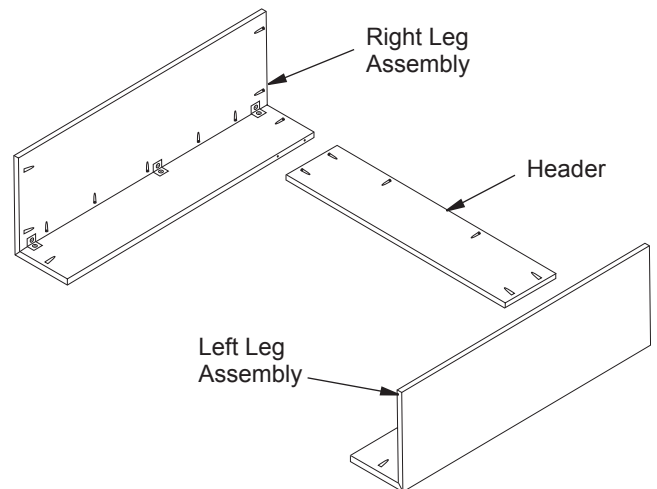


Figure 3 - Installing Header

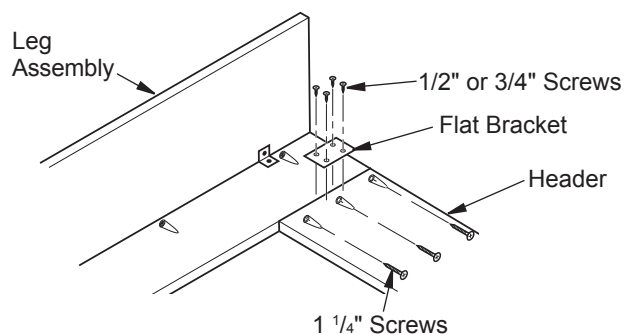


Figure 4 - Attaching Header to Leg Assembly (Mantel May Vary from Illustration)

ASSEMBLING MANTEL TOP

1. Some models may require mantel top assembly. For these models attach sides of top assembly to front panel of top assembly using (6) 1 1/4" screws (see Figure 5).
2. Place mantel top on floor with right side down. Attach side/front assembly to mantel top using (11) 1 1/4" screws (see Figure 6, page 3).
3. Place unfinished middle support halfway between two sides and attach to top and front using (6) 1 1/4" screws (see Figure 7, page 3).
4. Install 5 brackets using 1/2" or 3/4" screws for support of mantel top as shown in Figure 8, page 3.

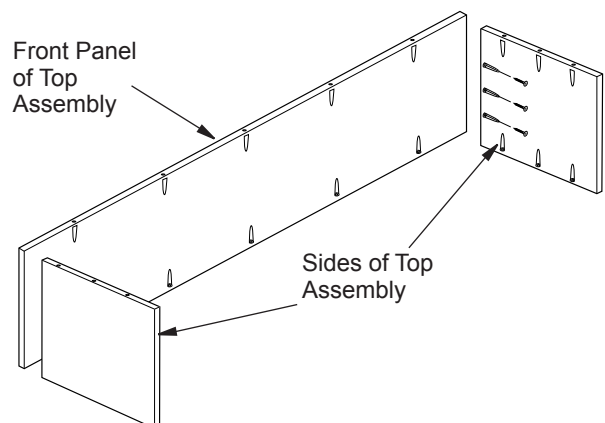


Figure 5 - Attach Sides to Front of Mantel Top

- Place the bottom panel on top assembly as shown in Figure 9. You may want to turn the entire assembly over for better access to pocket holes. Center the bottom panel left to right and make sure back is flush with back of side panels. Attach bottom to top assembly and middle support using (14) 1 1/4" screws (see Figure 9).
- Attach supplemental brackets using 1/2" - 3/4" screws provided in bracket hardware pack. Use 2 brackets to attach mantel top assembly - one at the back of each leg assembly and one at center of header (see Figure 9).

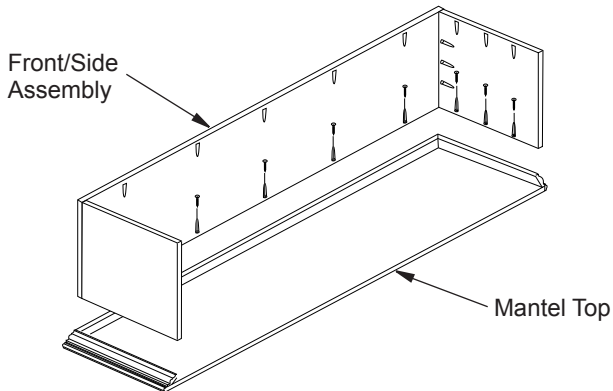


Figure 6 - Attach Side/Front Assembly to Mantel Top

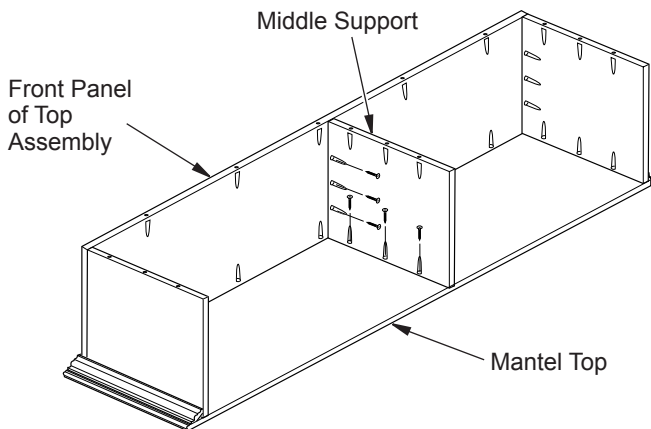


Figure 7 - Attach Middle Support to Mantel Top Assembly

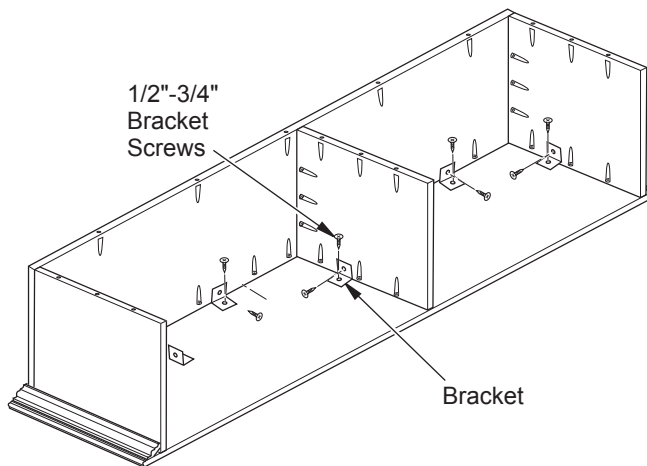


Figure 8 - Mantel Top Assembly

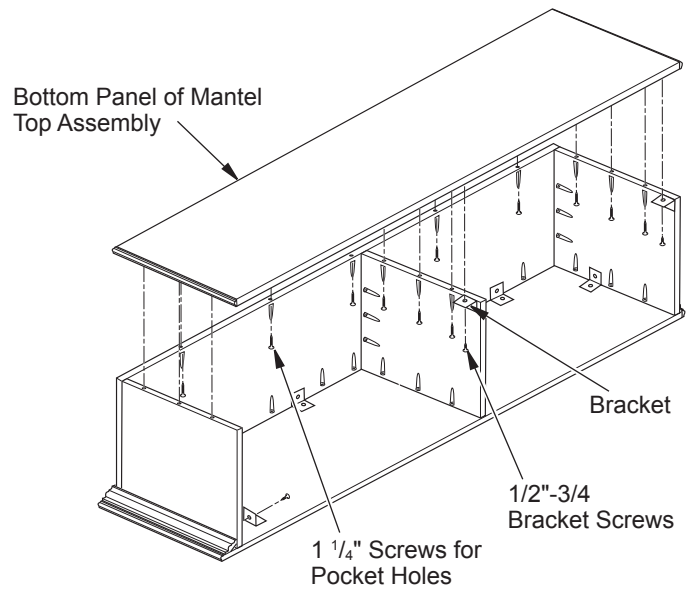


Figure 9 - Bottom Panel of Mantel Top Assembly

ATTACHING MANTEL TOP ASSEMBLY TO HEADER/LEG ASSEMBLY

- Turn top assembly and header/leg assembly upside down if not already in this position. Place header/leg assembly inside top (see Figure 10). The rear of legs should be flush with back of top and centered left to right.
- Using pocket holes and 1 1/4" screws provided, attach header/leg assembly to mantel top. Attach supplemental brackets using 1/2" - 3/4" screws provided in bracket hardware pack. Use 3 brackets to attach mantel top assembly - one at the back of each leg assembly and one at the center of the header (see Figure 10).

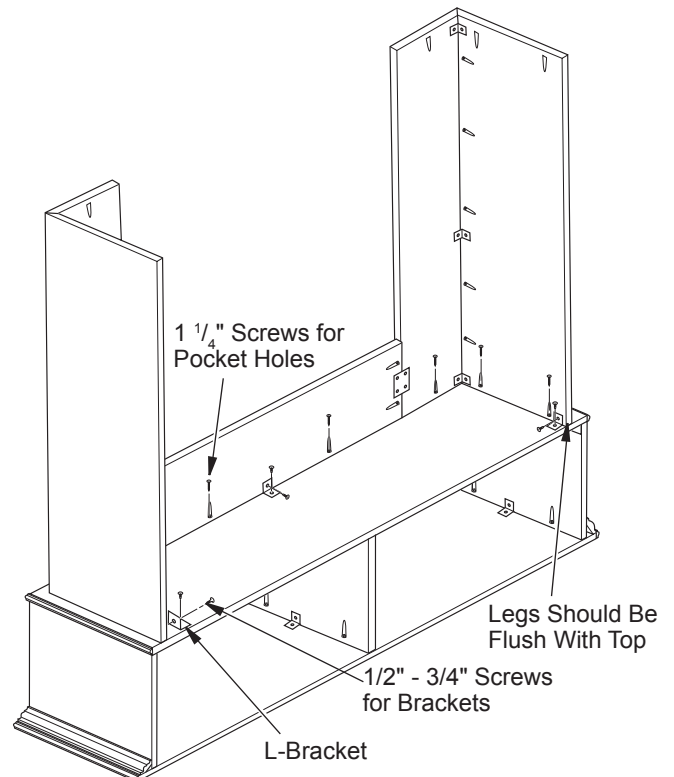


Figure 10 - Attaching Top to Leg and Header Assembly

ASSEMBLING METAL TRIM

1. Remove packaging from three pieces of metal trim.
2. Locate two adjusting plates with set screws, and two shims in the hardware packet.
3. Align shim under adjusting plate as shown in Figure 11.
4. Slide one end of adjusting plate/shim in slot on mitered edge of top trim (see Figure 11).
5. Slide other end of adjusting plate/shim in slot on mitered edge of side trim (see Figure 11).
6. While firmly holding edges of trim together, tighten both set screws on the adjusting plate with slotted screwdriver.
7. Repeat steps 2 through 6 for other corner.

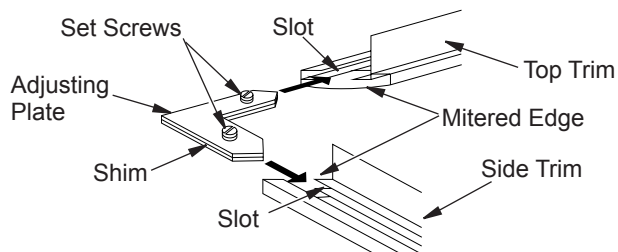


Figure 11 - Assembling Metal Trim

FIREPLACE INSTALLATION

1. Fireplace should be fully assembled. See *Assembling Fireplace* in fireplace owner's manual.
2. Place mantel base close to installation location. See fireplace owner's manual for installation clearances. Leave enough room to get behind mantel once fireplace and mantel assembly have been attached to base if installing a fireplace with flange.
3. Install gas line. See *Connecting to Gas Supply* in fireplace owner's manual. Remember to leave access to the gas shutoff valve somewhere on the base or where it is accessible to the user.
4. Check for leaks. See *Checking Gas Connections* in fireplace owner's manual.

IMPORTANT: If your fireplace has a nailing flange see *Installing Fireplace with Flange*. If your fireplace does not have a nailing flange see *Installing Fireplace without Flange*, page 5.

Installing Fireplace with Flange

1. Place mantel assembly on wood base and center left to right having back of assembly flush with back of base. Mark placement on base along inside front of mantel assembly. Remove mantel assembly from base.
2. Position fireplace on base, centering left to right between markings. Carefully position gas lines. **IMPORTANT:** Use caution when positioning fireplace on base as base may scratch.
3. With assistance, carefully place mantel over fireplace (see Figure 12). Fireplace nailing flanges will be to inside of mantel. Align mantel with markings made previously. Make sure back of mantel is flush with back of mantel base. Adjust fireplace as necessary.
4. Attach mantel to base using 1 1/4" screws through pocket holes. Using brackets and 1/2" or 3/4" screws from bracket hardware kit, attach brackets to base and mantel assembly using one bracket at each back corner of leg sides and one on each leg front (see Figure 13).
5. Adjust fireplace so that it fits into mantel opening properly.

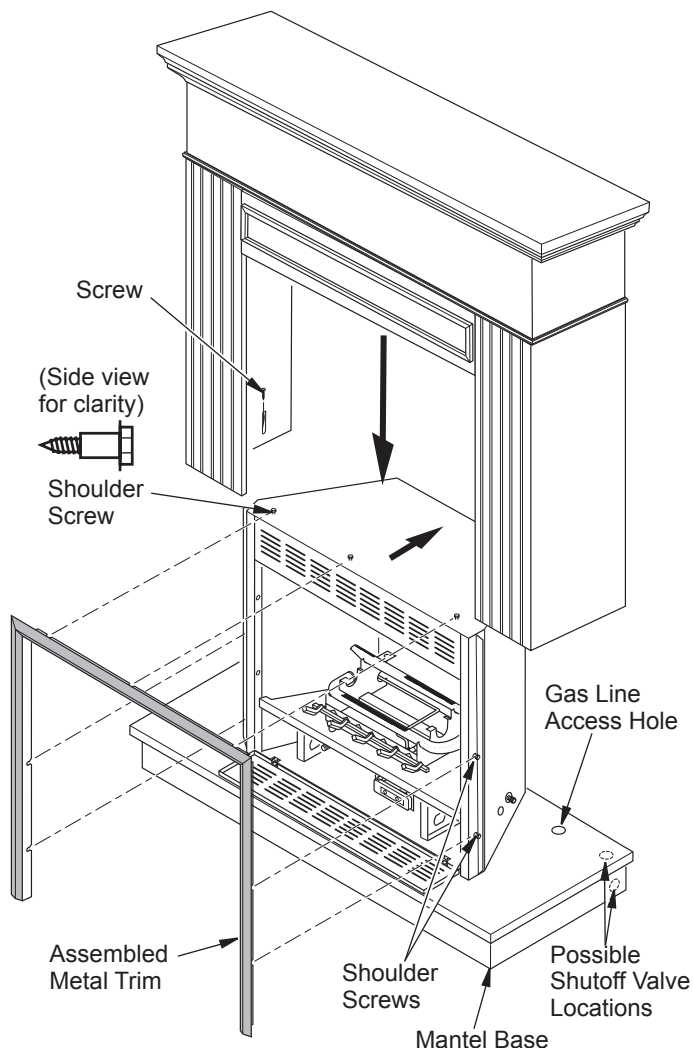


Figure 12 - Installing Fireplace with Flange

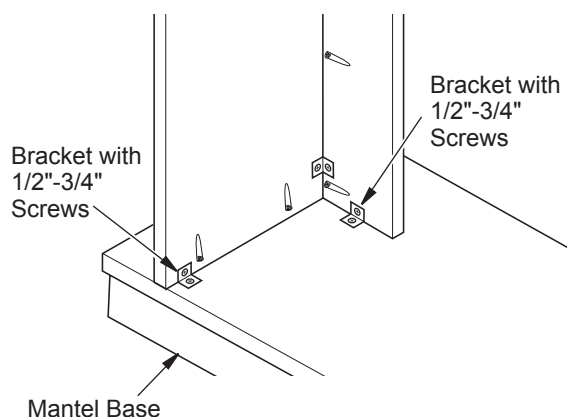


Figure 13 - Installing Brackets to Mantel Base

6. **Fireplace with louver door:** Lower bottom louver door. Use two screws provided in hardware package and attach fireplace to wooden base (see Figure 14). Close louver door

Fireplace with fixed louver: Before installing logs or burner assembly (see owner's manual) remove screws securing floor to assembly. Lift floor for access to bottom of fireplace. Use two screws provided in fireplace hardware package and attach fireplace base to wooden base (see Figure 15). Reinstall floor with screws removed previously.

7. Place metal trim on shoulder screws. Firmly snap trim assembly over shoulder screws on fireplace.
8. Carefully push mantel and base into position against wall.

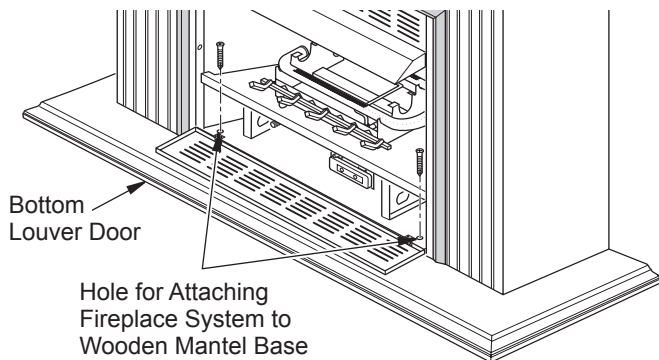


Figure 14 - Attaching Fireplace to Mantel and Mantel Base

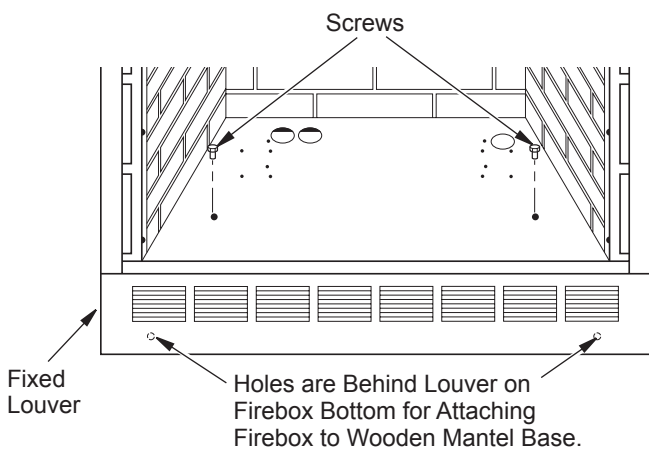


Figure 15 - Screw Locations for Fireboxes with Fixed Louver

Installing Fireplace without Flange

1. Place mantel assembly on wood base and center left to right having back of assembly flush with back of base.
2. Attach mantel to base using 1 1/4" screws through pocket holes. Using brackets and 1/2" or 3/4" screws from bracket hardware kit, attach brackets to base and mantel assembly using one bracket at each back corner of leg sides and one on each leg front (see Figure 13, page 4).
3. Position fireplace inside mantel (see Figure 16). Carefully position gas lines. **IMPORTANT:** Use caution when positioning fireplace on base. Base may scratch easily.
4. **Fireplace with louver door:** Lower bottom louver door. Use two screws provided in hardware package and attach fireplace to wooden base (see Figure 14). Close louver door

Fireplace with fixed louver: Before installing logs or burner assembly (see owner's manual) remove screws securing floor to assembly. Lift floor for access to bottom of fireplace. Use two screws provided in fireplace hardware package and attach fireplace base to wooden base (see Figure 15). Reinstall floor with screws removed previously.

5. Place metal trim on shoulder screws. Firmly snap trim assembly over shoulder screws on fireplace.
6. Carefully push mantel and base into position against wall.

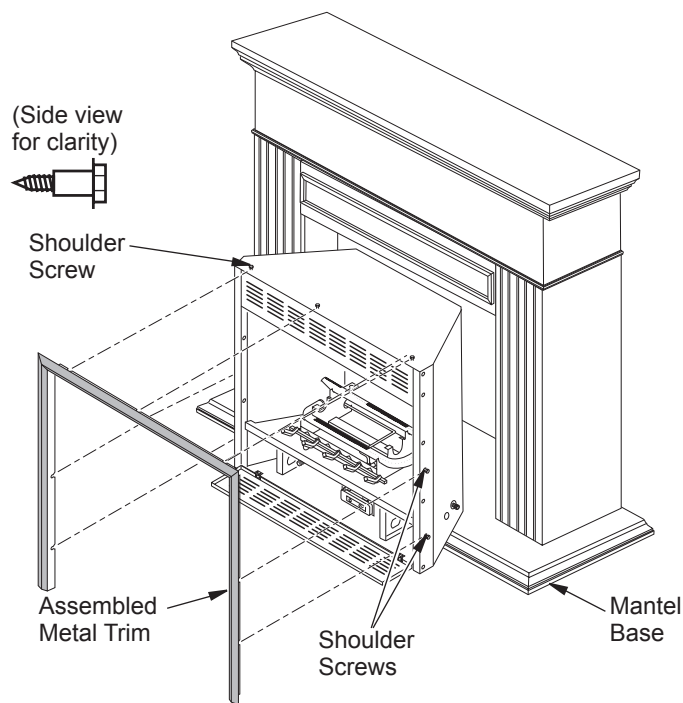


Figure 16 - Fireplace, Metal Trim Assembly, Mantel, and Mantel Base

DESATM
HEATING PRODUCTS

2701 Industrial Drive
P.O. Box 90004
Bowling Green, KY 42102-9004
Technical Service and Parts: 1-866-672-6040



119794 01
NOT A UPC

119794-01
Rev. A
07/06