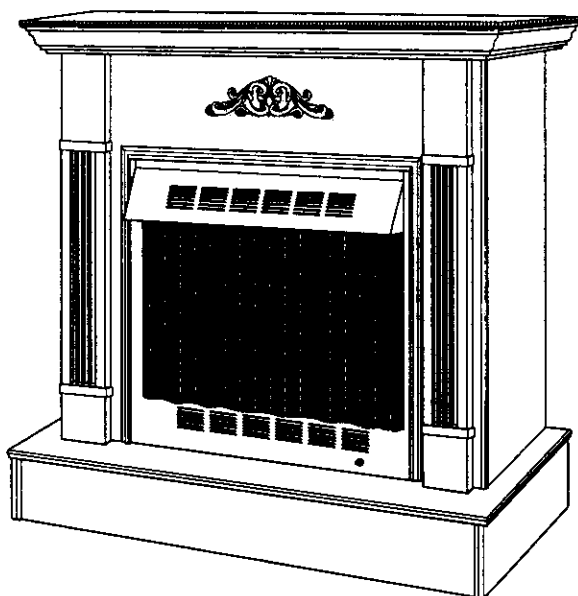


*Comfort Glow®*

# UNVENTED (VENT-FREE) UNIVERSAL FIREBOX

## OWNER'S OPERATION AND INSTALLATION MANUAL

**CGFB32C  
(shown)  
Circulating  
Louvered and  
CGFB32NC  
Noncirculating  
Smooth Face  
Models**



Shown with optional  
cabinet mantel and  
hearth base.

**WARNING:** If the information in this manual is not followed exactly, a fire or explosion may result causing property damage, personal injury, or loss of life.

- Do not store or use gasoline or other flammable vapors and liquids in the vicinity of this or any other appliance.
- **WHAT TO DO IF YOU SMELL GAS**
  - Do not try to light any appliance.
  - Do not touch any electrical switch; do not use any phone in your building.
  - Immediately call your gas supplier from a neighbor's phone. Follow the gas supplier's instructions.
  - If you cannot reach your gas supplier, call the fire department.
- Installation and service must be performed by a qualified installer, service agency, or the gas supplier.

**WARNING:** Improper installation, adjustment, alteration, service, or maintenance can cause injury or property damage. Refer to this manual for correct installation and operational procedures. For assistance or additional information consult a qualified installer, service agency, or the gas supplier.

**WARNING:** For use only with decorative type unvented room heaters. Do not build a wood fire.

This firebox has been tested and approved by I.A.S. under their REQ. 2-97 for use with any ANS Z21.11.2 approved gas logs.

This firebox may be installed in an aftermarket\* manufactured (mobile) home, where not prohibited by state or local codes.

\* Aftermarket: Completion of sale, not for purpose of resale, from the manufacturer (i.e. installation of this product is permitted after the manufactured (mobile) home is sited).

**Save this manual for future reference.**

## UNVENTED (VENT-FREE) FIREBOX

### SAFETY INFORMATION

#### WARNINGS

**IMPORTANT:** Read this owner's manual carefully and completely before trying to assemble, operate, or service this firebox. Improper use of this firebox can cause serious injury or death from burns, fire, explosion, electrical shock, and carbon monoxide poisoning.

**WARNING:** Carefully review the instructions supplied with the decorative type unvented room heater for the minimum fireplace size requirement. Do not install the appliance in this firebox, unless this firebox meets the minimum dimensions required for the installation.

**WARNING:** Any change to this firebox or its controls can be dangerous.

1. This firebox shall not be installed in a bedroom or bathroom.
2. Never install the firebox
  - in a recreational vehicle
  - where curtains, furniture, clothing, or other flammable objects are less than 42 inches from the front, top, or sides of the firebox
  - in high traffic areas
  - in windy or drafty areas
3. Do not use this firebox as a wood-burning fireplace.
4. Do not add extra logs or ornaments such as pine cones, vermiculite, or rock wool. Using these added items can cause sooting.

5. You must operate this fireplace with the provided fireplace screen (closed), hood, and brick liner in place. Make sure these parts are in place before running firebox.
6. Do not allow fans to blow directly into the firebox. Avoid any drafts that alter burner flame patterns. Ceiling fans can create drafts that alter burner flame patterns. Altered burner patterns can cause sooting.
7. Do not use a blower insert, hood, heat exchanger insert, or other accessory not approved for use with this heater. Do not use blower accessory with Model CGFB32NC.
8. Vent-free gas log heaters installed in these fireboxes require fresh air ventilation to run properly. See *Air for Combustion and Ventilation*, pages 4 through 6.
9. Do not run firebox
  - where flammable liquids or vapors are used or stored
  - under dusty conditions
10. Do not use this firebox to cook food or burn paper or other objects.
11. Never place any objects in the firebox or on logs.
12. Firebox front and screen becomes very hot when running firebox. Keep children and adults away from hot surfaces to avoid burns or clothing ignition. Firebox will remain hot for a time after shutdown. Allow surfaces to cool before touching.
13. Carefully supervise young children when they are in the room with firebox.
14. Turn firebox off and let cool before servicing. Only a qualified service person should service and repair firebox.
15. Operating unvented heaters (logsets) above elevations of 4,500 feet could cause pilot outage.
16. Do not use the firebox if it has been under water due to the shock hazard that could result with the blower accessory (if installed) in place.

### LOCAL CODES

Install and use fireplace with care. Follow all local codes. In the absence of local codes, use the latest edition of *The National Fuel Gas Code ANS Z223.1*, also known as NFPA 54\*. Firebox must be electrically grounded in accordance with the *National Electrical Code, ANS/NFPA70 (latest edition)*.

\*Available from:

American National Standards Institute, Inc.  
1430 Broadway  
New York, NY 10018

National Fire Protection Association, Inc.  
Batterymarch Park  
Quincy, MA 02269

### UNPACKING

1. With utility knife, cut the carton all the way around above the staples on the bottom tray. Lift the carton off the firebox. Remove packing.
2. Check carton contents for the following:
  - Screen assembly
  - Screen support rod
  - Hardware and parts bag containing the following:
    - Owners Operation and Installation Manual
    - 2 - Black #10 x 5/8" shouldered hex screws
3. If any items are missing, inform dealer where you bought firebox.
4. Check all items for any shipping damage. If damaged, promptly inform dealer where you bought firebox.

# OWNER'S MANUAL

## PRODUCT FEATURES

### Operation

This firebox is designed to accept unvented decorative gas logs. It requires no outside venting or chimney making installation easy and inexpensive. When used without the blower (model CGFB32C only), the firebox requires no electricity making it ideal for emergency backup heat.

### Blower Accessory

The CGFB32C firebox will accept the GA3750 accessory. The variable blower allows you to select the fan speed you desire. The blower circulates heated air from the firebox into the room. Use of blower is optional.

## PRODUCT SPECIFICATIONS

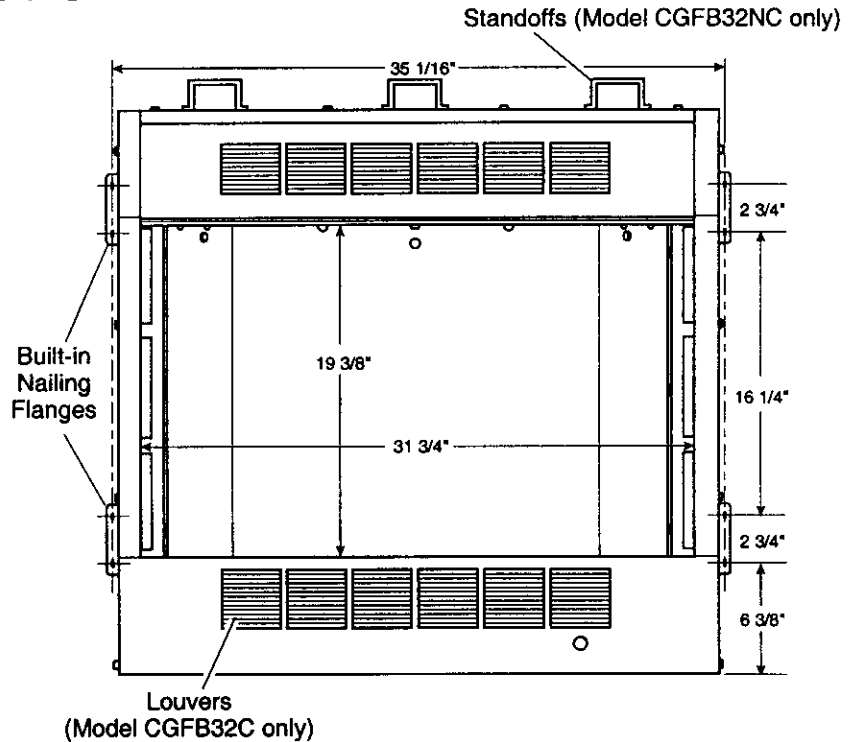


Figure 1 - Firebox Front View

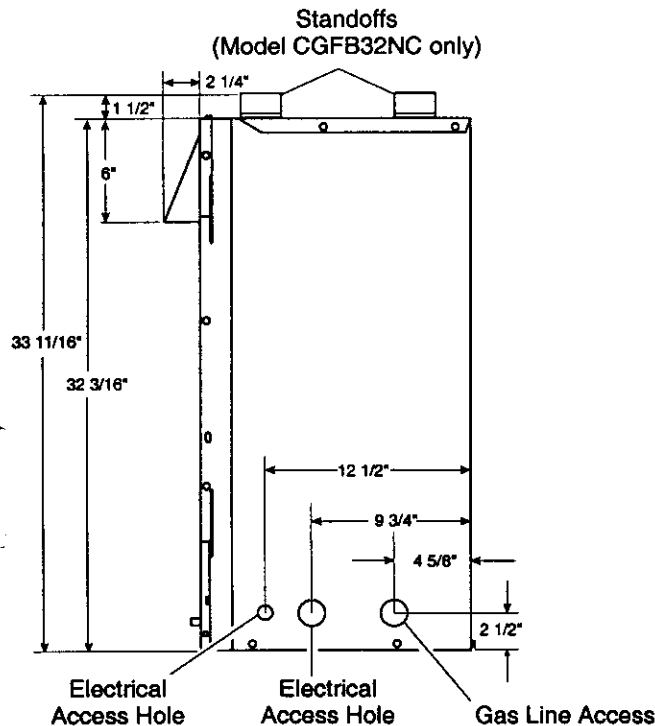


Figure 2 - Firebox Side View

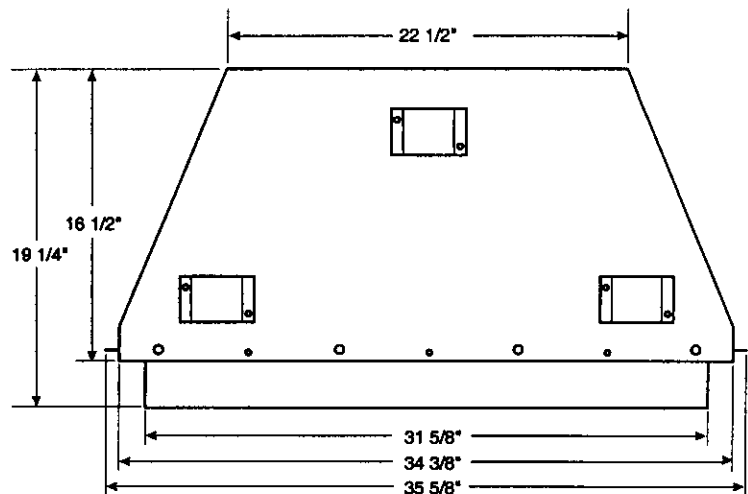


Figure 3 - Firebox Top View

## UNVENTED (VENT-FREE) FIREBOX

### LOCATING FIREBOX

#### PLANNING

Plan where you will install the firebox. This will save time and money later when you install the firebox. Before installation, consider the following:

1. Where the firebox will be located. Allow for wall and ceiling clearances (see *Installation Clearances*, page 7).
2. Everything needed to complete installation.
3. These models CANNOT be installed in a bedroom or bathroom.
4. Proper air for combustion and ventilation (see below).

### AIR FOR COMBUSTION AND VENTILATION

**⚠ WARNING:** This firebox shall not be installed in a confined space or unusually tight construction unless provisions are provided for adequate combustion and ventilation air. Read the following instructions to insure proper fresh air for this and other fuel-burning appliances in your home.

Today's homes are built more energy efficient than ever. New materials, increased insulation, and new construction methods help reduce heat loss in homes. Home owners weather strip and caulk around windows and doors to keep the cold air out and the warm air in. During heating months, home owners want their homes as airtight as possible.

While it is good to make your home energy efficient, your home needs to breathe. Fresh air must enter your home. All fuel-burning appliances need fresh air for proper combustion and ventilation.

Exhaust fans, fireboxes, clothes dryers, and fuel burning appliances draw air from the house to operate. You must provide adequate fresh air for these appliances. This will insure proper venting of vented fuel-burning appliances.

### PROVIDING ADEQUATE VENTILATION

The following are excerpts from *National Fuel Gas Code. NFPA 54/ANS Z223.1, Section 5.3, Air for Combustion and Ventilation.*

All spaces in homes fall into one of the three following ventilation classifications:

1. Unusually Tight Construction
2. Unconfined Space
3. Confined Space

The information on pages 4 through 6 will help you classify your space and provide adequate ventilation.

#### Unusually Tight Construction

The air that leaks around doors and windows may provide enough fresh air for combustion and ventilation. However, in buildings of unusually tight construction, you must provide additional fresh air.

**Unusually tight construction is defined as construction where:**

- a. walls and ceilings exposed to the outside atmosphere have a continuous water vapor retarder with a rating of one perm ( $6 \times 10^{-11}$  kg per pa-sec- $m^2$ ) or less with openings gasketed or sealed **and**
- b. weather stripping has been added on openable windows and doors **and**
- c. caulking or sealants are applied to areas such as joints around window and door frames, between sole plates and floors, between wall-ceiling joints, between wall panels, at penetrations for plumbing, electrical, and gas lines, and at other openings.

**If your home meets all of the three criteria above, you must provide additional fresh air. See *Ventilation Air From Outdoors*, page 6.**

**If your home does not meet all of the three criteria above, proceed to *Determining Fresh-Air Flow For Fireplace Location*, page 5.**

### Confined and Unconfined Space

*The National Fuel Gas Code (ANS Z2123.1, 1992 Section 5.3)* defines a confined space as a space whose volume is less than 50 cubic feet per 1,000 Btu per hour (4.8 m<sup>3</sup> per kw) of the aggregate input rating of all appliances installed in that space and an unconfined space as a space whose volume is not less than 50 cubic feet per 1,000 Btu per hour (4.8 m<sup>3</sup> per kw) of the aggregate input rating of all appliances installed in that space. Rooms communicating directly with the space in which the appliances are installed\*, through openings not furnished with doors, are considered a part of the unconfined space.

This firebox shall not be installed in a confined space or unusually tight construction unless provisions are provided for adequate combustion and ventilation air.

\* Adjoining rooms are communicating only if there are doorless passageways or ventilation grills between them.

# OWNER'S MANUAL

## AIR FOR COMBUSTION AND VENTILATION

*Continued*

### DETERMINING FRESH-AIR FLOW FOR FIREPLACE LOCATION

#### Determining if You Have a Confined or Unconfined Space

Use this worksheet to determine if you have a confined or unconfined space.

**Space:** Includes the room in which you will install firebox plus any adjoining rooms with doorless passageways or ventilation grills between the rooms.

1. Determine the volume of the space (length x width x height).

Length x Width x Height = \_\_\_\_\_ cu. ft. (volume of space)

*Example:* Space size 22 ft. (length) x 18 ft. (width) x 8 ft. (ceiling height) = 3168 cu. ft. (volume of space)

If additional ventilation to adjoining room is supplied with grills or openings, add the volume of these rooms to the total volume of the space.

2. Divide the space volume by 50 cubic feet to determine the maximum Btu/Hr the space can support.

\_\_\_\_\_ (volume of space) ÷ 50 cu. ft. = (Maximum Btu/Hr the space can support)

*Example:* 3168 cu. ft. (volume of space) ÷ 50 cu. ft. = 63.3 or 63,300 (maximum Btu/Hr the space can support)

3. Add the Btu/Hr of all fuel burning appliances in the space.

Vent-free firebox \_\_\_\_\_ Btu/Hr

Gas water heater\* \_\_\_\_\_ Btu/Hr

Gas furnace \_\_\_\_\_ Btu/Hr

Vented gas heater \_\_\_\_\_ Btu/Hr

Gas firebox logs \_\_\_\_\_ Btu/Hr

Other gas appliances\* + \_\_\_\_\_ Btu/Hr

Total = \_\_\_\_\_ Btu/Hr

*Example:*

Gas water heater  $\frac{40,000}{}$  Btu/Hr

Vent-free firebox with log heater +  $\frac{39,000}{}$  Btu/Hr

Total =  $\frac{79,000}{}$  Btu/Hr

\* Do not include direct-vent gas appliances. Direct-vent draws combustion air from the outdoors and vents to the outdoors.

4. Compare the maximum Btu/Hr the space can support with the actual amount of Btu/Hr used.

\_\_\_\_\_ Btu/Hr (maximum the space can support)

\_\_\_\_\_ Btu/Hr (actual amount of Btu/Hr used)

*Example:* 63,300 Btu/Hr (maximum the space can support)

79,000 Btu/Hr (actual amount of Btu/Hr used)

The space in the above example is a confined space because the actual Btu/Hr used is more than the maximum Btu/Hr the space can support. You must provide additional fresh air. Your options are as follows:

- A. Rework worksheet, adding the space of an adjoining room. If the extra space provides an unconfined space, remove door to adjoining room or add ventilation grills between rooms. See *Ventilation Air From Inside Building*, page 6.
- B. Vent room directly to the outdoors. See *Ventilation Air From Outdoors*, page 6.
- C. Install a lower Btu/Hr fireplace, if lower Btu/Hr size makes room unconfined.

If the actual Btu/Hr used is less than the maximum Btu/Hr the space can support, the space is an unconfined space. You will need no additional fresh air ventilation.

**WARNING:** If the area in which the firebox and gas log heater may be operated is smaller than that defined as an unconfined space or if the building is of unusually tight construction, provide adequate combustion and ventilation air by one of the methods described in the *National Fuel Gas Code, ANS Z223.1, 1992, Section 5.3* or applicable local codes.

## UNVENTED (VENT-FREE) FIREBOX

### AIR FOR COMBUSTION AND VENTILATION

*Continued*

#### VENTILATION AIR

##### Ventilation Air From Inside Building

This fresh air would come from an adjoining unconfined space. When ventilating to an adjoining unconfined space, you must provide two permanent openings: one within 12" of the ceiling and one within 12" of the floor on the wall connecting the two spaces (see options 1 and 2, Figure 4). You can also remove door into adjoining room (see option 3, Figure 4). Follow the *National Fuel Gas Code NFPA 54/ANS Z223.1, Section 5.3, Air for Combustion and Ventilation* for required size of ventilation grills or ducts.

**⚠ WARNING: Rework worksheet, adding the space of the adjoining unconfined space. The combined spaces must have enough fresh air to supply all appliances in both spaces.**

##### Ventilation Air From Outdoors

Provide extra fresh air by using ventilation grills or ducts. You must provide two permanent openings: one within 12" of the ceiling and one within 12" of the floor. Connect these items directly to the outdoors or spaces open to the outdoors. These spaces include attics and crawl spaces.

**IMPORTANT:** Do not provide openings for inlet or outlet air into attic if attic has a thermostat-controlled power vent. Heated air entering the attic will activate the power vent.

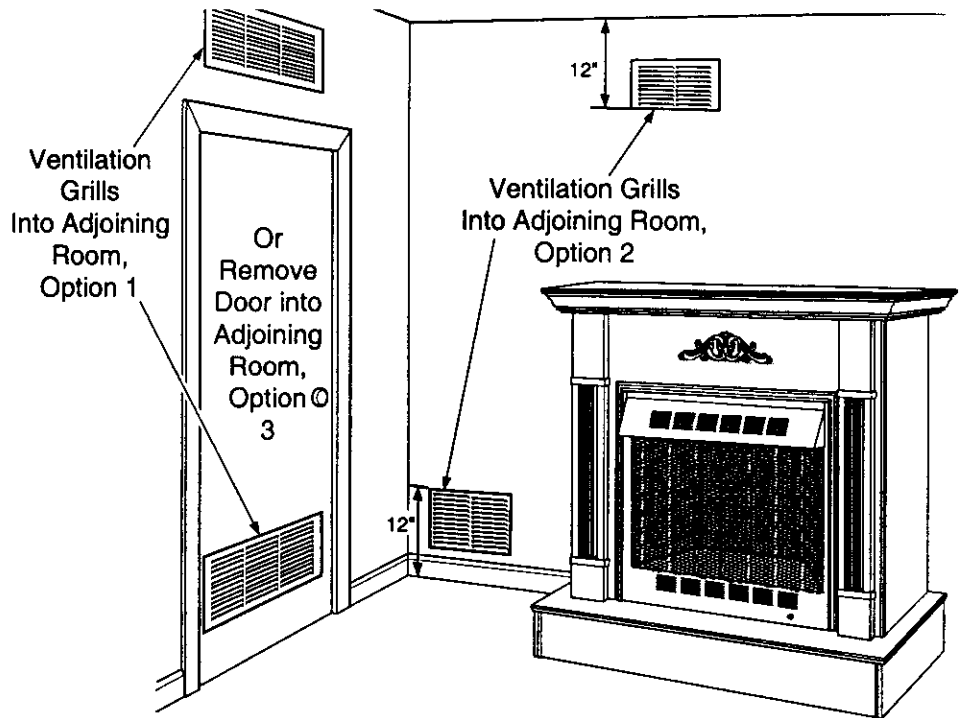


Figure 4 - Ventilation Air from Inside Building

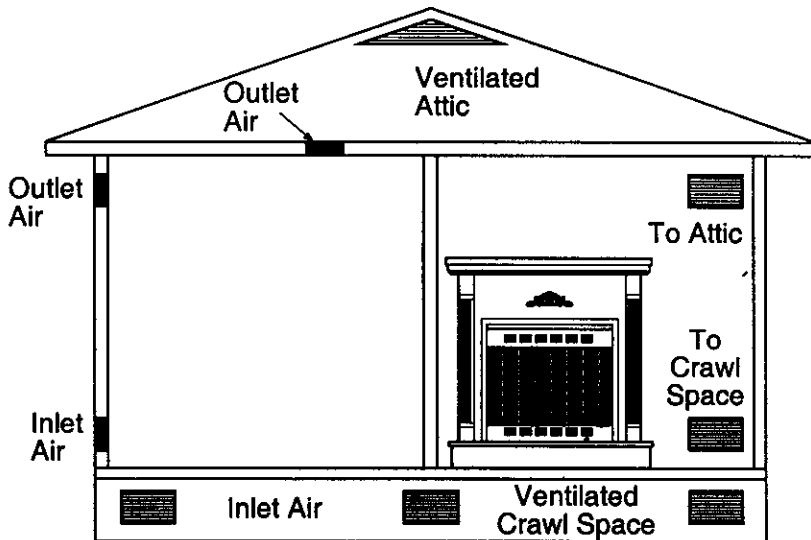


Figure 5 - Ventilation Air from Outdoors

# OWNER'S MANUAL

## INSTALLATION

**NOTICE:** This firebox in combination with unvented logsets are intended for use as supplemental heat. Do not install them as your primary heat source. If you have a central heating system, you may run system's circulating blower while using unvented logs. This will help circulate the heat throughout the house. In the event of a power outage, you can use unvented logs as your primary heat source.

**NOTICE:** A qualified service person must install firebox. Follow all local codes.

**WARNING:** Never install the firebox

- in a bedroom or bathroom
- in a recreational vehicle
- where curtains, furniture, clothing, or other flammable objects are less than 42 inches from the front, top, or sides of the firebox
- in high traffic areas
- in windy or drafty areas

**CAUTION:** Log heaters installed in this firebox create warm air currents. These currents move heat to wall surfaces next to firebox. Installing firebox next to vinyl or cloth wall coverings or operating firebox where impurities in the air (such as tobacco smoke, aromatic candles, cleaning fluids, oil or kerosene lamps, etc.) exist, may discolor walls.

**IMPORTANT:** Vent-free gas log heaters add moisture to the air. Although this is beneficial, installing firebox in rooms without enough ventilation air may cause mildew to form from too much moisture. See *Air for Combustion and Ventilation*, pages 4 through 6.

**IMPORTANT:** Make sure the firebox is level. If firebox is not level, log set will not work properly.

*Note:* Your Comfort Glow firebox is designed to be used in zero clearance installations. Wall or framing material can be placed directly against any exterior surface on the rear, sides, or top of your firebox, except where standoff spacers are integrally attached. If standoff spacers are attached to your firebox, these spacers can be placed directly against wall or framing materials.

Use the dimensions shown for rough openings to create the easiest installation (see *Built-In Firebox Installation*, page 10).

## INSTALLATION CLEARANCES

**WARNING:** Maintain the minimum clearances. If you can, provide greater clearances from floor, ceiling, and adjoining wall.

Carefully follow the instructions below. This will ensure safe installation.

### Minimum Wall and Ceiling Clearances (see Figure 6)

- Clearances from the side of the firebox opening to any combustible wall should not be less than 16 inches for a cabinet mantel or 12 inches for a corner installation.
- Clearances from the top of the firebox opening to the ceiling should not be less than 42 inches.
- When the firebox is installed directly on carpeting, or other combustible material, other than wood flooring, the firebox should be installed on a metal or wood panel extending the full width and depth of the enclosure.

### Mantel Clearances for Conventional Installation

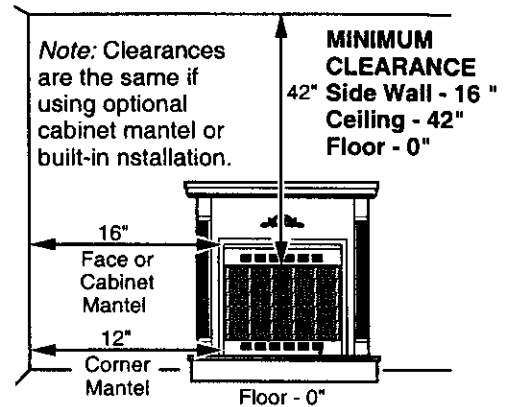


Figure 6 - Minimum Clearance to Wall and Ceiling

### Mantel Clearances for Built-In Installation

If placing custom mantel above built-in firebox, you must meet minimum clearance between mantel shelf and top of firebox opening.

*Note:*

All vertical measurements are from top of fireplace opening to bottom of mantel shelf. All measurements are in inches.

Facing material (above firebox) may be of combustible material, including decorative mantel ornaments.

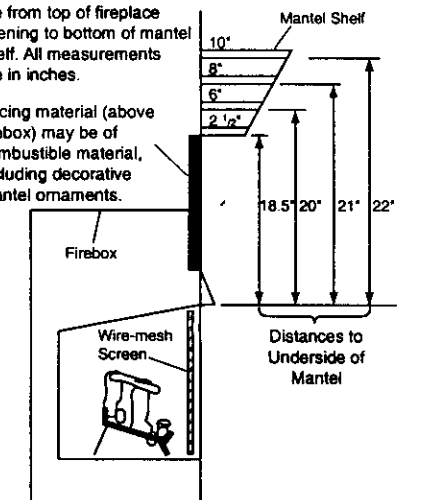


Figure 7 - Minimum Mantel Clearances for Built-In Installation

If your installation does not meet the above minimum clearances, you must:

- raise the mantel to an acceptable height,
- OR
- remove the mantel.

*Continued*

## UNVENTED (VENT-FREE) FIREBOX

### INSTALLATION

*Continued*

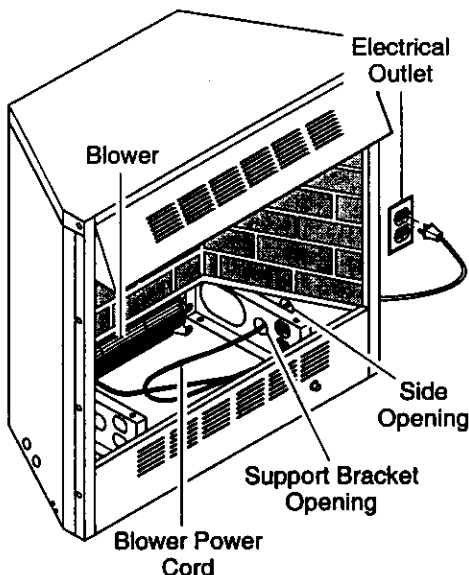
#### INSTALLING BLOWER ACCESSORY (MODEL CGFB32C ONLY)

You may install blower accessory GA3750 with conventional installation (below) or with built-in installation (page 10) with model CGFB32C only. To install blower accessory, see instruction sheet included with the kit.

#### Conventional Installation of Blower Accessory

1. Install blower assembly per instruction sheet included in blower accessory kit.
2. Before replacing bottom of firebox, route blower power cord through hole in support bracket in bottom of firebox and through hole in side of firebox to grounded, three-prong 120 volt electrical outlet (see Figure 8). Plug electrical cord into outlet.
3. Replace bottom of firebox.

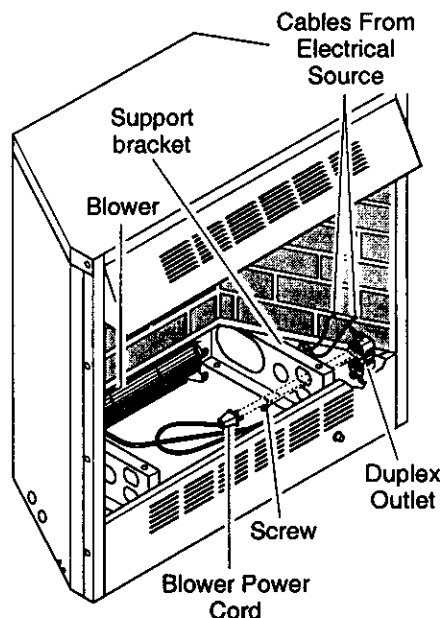
**NOTICE: A certified electrician must connect electrical wiring to duplex outlet for built-in installation. Follow all local codes. In absence of local codes, follow the National Electrical Code, ANS/NFPA 70 (Latest Edition).**



**Figure 8 - Routing Blower Accessory Power Cord for Conventional Installation**

#### Built-In Installation of Blower Accessory

1. Install blower assembly per instruction sheet included.
2. Before replacing bottom of firebox, remove screw holding duplex outlet to the support bracket in the bottom of firebox. Remove duplex outlet.
3. Clamp electrical cable into firebox through smallest hole using strain relief provided.
4. Route wires from electrical box through hole in side of heater and hole in support bracket (see Figure 9).
5. Connect wires from the electrical box to duplex outlet. Match wire colors to those indicated on duplex outlet. Be sure to connect ground wire.
6. Replace duplex outlet with screw.
7. Plug blower power cord into duplex outlet.
8. Replace bottom of firebox.



**Figure 9 - Routing Blower Accessory Power Cord for Built-In Installation**

#### INSTALLING LOG HEATER IN FIREBOX

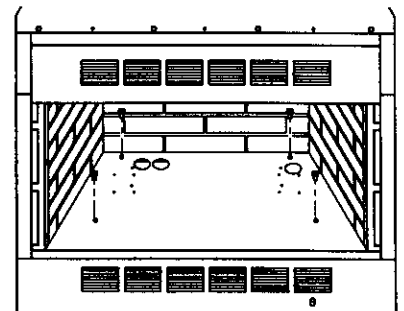
**CAUTION: Do not pick up log base assembly by burners. This could damage burners. Only handle base by grates.**

**CAUTION: Do not remove the metal data plates attached to the heater base assembly. The data plates contain important warranty information.**

1. Remove four screws holding firebox bottom in place.
2. Lift and remove firebox bottom (see Figure 10).
3. If installing GA3750 Blower Accessory (Model CGFB32C only), see *Installing Blower Accessory*.
4. Route flexible gas line from manual shutoff valve into firebox through side.

**NOTICE: Most building codes do not permit concealed gas connections. A flexible gas line is recommended to allow accessibility from the firebox. The flexible gas supply line connection to the manual shutoff valve should be accessible.**

5. Attach gas log heater base to firebox bottom with four screws included with base (see *Installing Heater Base Assembly* in log set owner's manual).
6. Replace firebox bottom and secure with screws.



**Figure 10 - Removing Firebox Bottom**



## INSTALLATION

### Continued

### INSTALLING FIREPLACE SCREEN

1. Insert each rod through nine rings located at top of screen.
2. Insert first rod into rear hole in left side of firebox. Fasten rod to rear hole near center of firebox using black shoulder screw.
3. Insert other rod into front hole on right side of firebox and fasten using remaining shoulder screw.

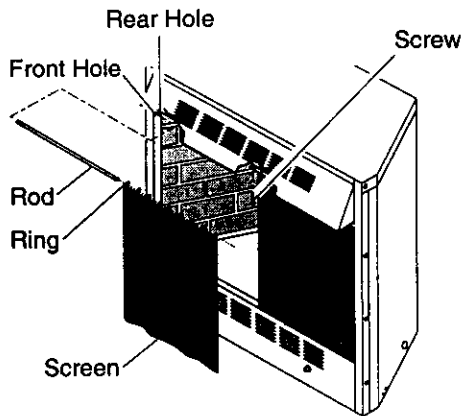


Figure 12 - Installing Fireplace Screen

### FIREBOX INSTALLATION USING OPTIONAL ACCESSORY MANTELS

This firebox may be installed using the cabinet mantel and hearth base accessories against a wall in your home. Follow the instructions below to install the firebox in this manner.

**Note:** The instructions below show installation using GMC11F/GMC12U/GMC13F series cabinet mantels and the GC3333F/GC3334U/GC3335F series hearth base accessories. The hearth base accessory shown is optional for this installation. You can install firebox and cabinet mantel directly on the floor.

1. Assemble cabinet mantel, hearth base, and perimeter trim (Included with mantel). Assembly instructions are included with each accessory.
2. If using an optional GA3750 blower (CGFB32C model only), install a properly grounded, 120 volt three-prong electrical outlet at firebox location if an outlet is not there. If possible, locate outlet so cabinet mantel will cover it when installed (see Figure 14).
3. Install gas piping to firebox location. This installation includes an approved flexible gas line (if allowed by local codes) and a manual shutoff valve. The flexible gas line must be the last item installed on the gas piping. See *Connecting to Gas Supply* in your log set owner's manual.
9. Attach flexible gas line to log set. See *Connecting to Gas Supply* in your log set owner's manual.
10. If installing GA3750 blower (CGFB32C firebox only), route blower electrical cord through bushing in right side firebox support and bushing in side access opening of firebox. Plug electrical cord into electrical outlet. See *Installing Blower Accessory*, page 8.
11. Carefully insert firebox into cabinet mantel. Be careful not to scratch or damage cabinet mantel or hearth base. Remove protective material from top of hearth base and from front of firebox (if any).
12. Install the trim after final finishing and/or painting of wall. See instructions included with mantel accessory for attaching brass trim.
13. Check all gas connections for leaks. See *Checking Gas Connections* in log set owner's manual.

**NOTICE: A qualified service person must connect firebox to gas supply. Follow all local codes.**

4. Place hearth base accessory against wall at installation location. Cut an access hole in hearth top to run flexible gas line to firebox (see Figure 13). Make sure to locate access hole so cabinet mantel will cover it when installed. **Note:** You can secure base to floor using wood screws. Countersink screw heads and putty over.
5. Route flexible gas line through access hole in hearth base.
6. Center cabinet mantel on hearth base (see Figure 14). Make sure mantel is flush against wall.
7. Break off nailing flanges (see Figure 15) with hammer or pliers.
8. Place cardboard or other protective material on top of hearth base. Carefully set firebox on protective material, with back of firebox inside mantel opening.

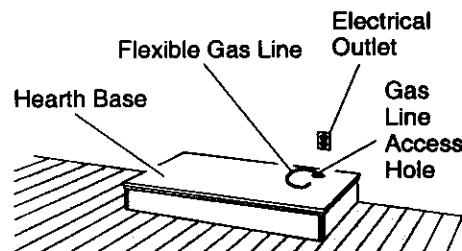


Figure 13 - Placing Hearth Base Accessory Against Wall

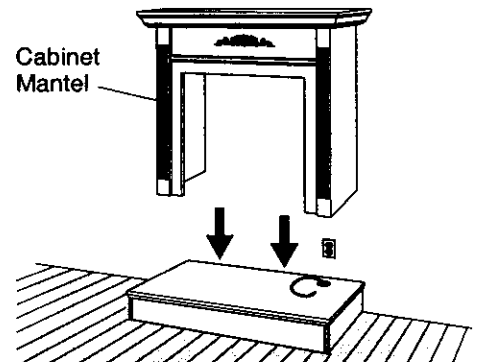


Figure 14 - Installing Cabinet Mantel

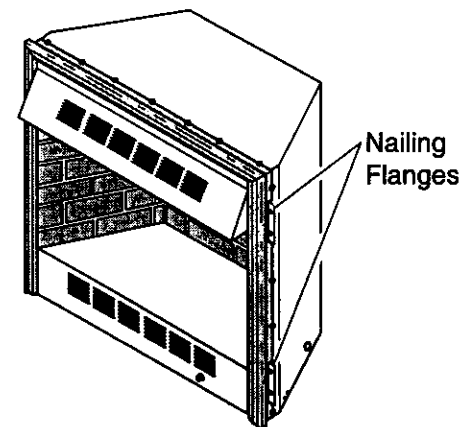


Figure 15 - Location of Nailing Flanges

Continued

## UNVENTED (VENT-FREE) FIREBOX

### INSTALLATION

Continued

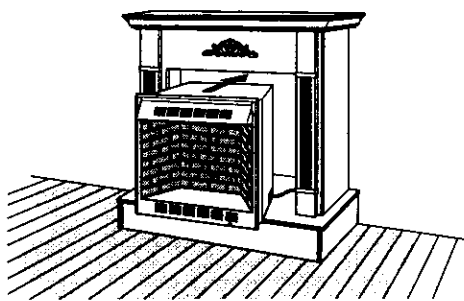


Figure 16 - Inserting Firebox Into Cabinet Mantel

### BUILT-IN FIREBOX INSTALLATION

Built-in installation of this firebox involves installing firebox into a framed-in enclosure. This makes the front of firebox flush with wall. Optional brass trim (GA7090) is available (see *Accessories*, page 11) This brass trim will extend past sides of firebox approximately 1/2 inch. This will cover rough edges of the wall opening. If installing a mantel above the firebox, but you must follow the clearances shown in Figure 7, page 7. Follow the instructions below to install the firebox in this manner.

1. Frame in rough opening. Use dimensions shown in Figure 17 for the rough opening. If installing in a corner, use dimensions shown in Figure 18 for the rough opening. The height is 33" (CGFB32C) or 34 1/4" (CGFB32NC), which is the same as the wall opening in Figure 17.
2. Install gas piping to firebox location. This installation includes an approved flexible gas line (if allowed by local codes) after the manual shutoff valve. The flexible gas line must be the last item installed on the gas piping. See *Connecting to Gas Supply* in log set owner's manual.

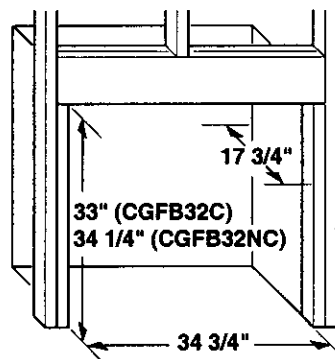


Figure 17 - Rough Opening for Installing in Wall

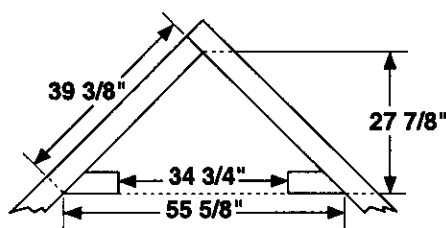


Figure 18 - Rough Opening for Installing in Corner

3. Carefully set firebox in front of rough opening with back of firebox inside wall opening. **IMPORTANT:** If installing Brass Trim Kit GA7090, see instructions included with brass trim accessory. You must install shoulder screws now.
4. If using GA3750 blower accessory (Model CGFB32C only), see *Installing Built-In Installation of Blower Accessory*, page 8.
5. Attach flexible gas line to log set. See *Connecting to Gas Supply* in log set owner's manual.
6. Carefully insert firebox into rough opening.
7. Attach firebox to wall studs using nails or wood screws through holes in nailing flange (see Figure 19).
8. Check all gas connections for leaks. See *Checking Gas Connections* in log set owner's manual.
9. If using optional GA7090 brass trim kit, install the trim after final finishing and/or painting of wall. See instructions included with brass trim accessory for attaching brass trim.

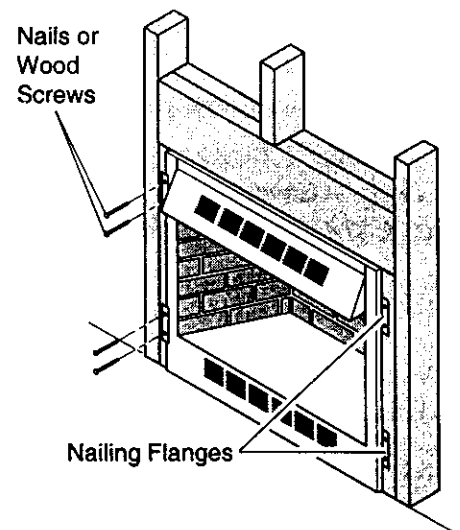


Figure 19 - Attaching Firebox to Wall Studs

Model #	Height		Front Width		Depth	
	Actual	Framing	Actual	Framing	Actual	Framing
CGFB32C	32 3/8"	33"	34 5/16"	34 3/4"	16 11/16"	17 3/4"
CGFB32NC	33 11/16"	34 1/4"	34 5/16"	34 3/4"	16 11/16"	17 3/4"

# OWNER'S MANUAL

## TECHNICAL SERVICE

You may have further questions about installation, operation, or troubleshooting. If so, contact DESA International's Technical Service Department at 1-800-DESA LOG (1-800-337-2564).

## REPLACEMENT PARTS

*Note:* Use only original replacement parts. This will protect your warranty coverage for parts replaced under warranty.

### PARTS UNDER WARRANTY

Contact authorized dealers of this product or Parts Central (see page 15). If they can't supply original replacement part(s), call DESA International's Technical Service Department at 1-800-DESA LOG (1-800-337-2564).

When calling DESA International, have ready

- your name
- your address
- model number of your fireplace
- how fireplace was malfunctioning
- type of gas used (propane or natural gas)
- purchase date

Usually, we will ask you to return the defective part to the factory.

### PARTS NOT UNDER WARRANTY

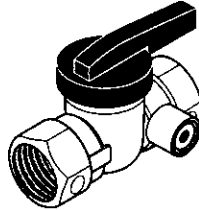
Contact authorized dealers of this product or Parts Central (see page 15). If they can't supply original replacement part(s), call DESA International's Parts Department at 1-800-972-7879 for referral information.

When calling DESA International, have ready

- model number of your fireplace
- the replacement part number

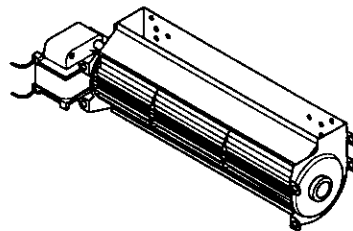
## ACCESSORIES

Purchase these fireplace accessories from your local dealer. If they can not supply these accessories, call DESA International's Sales Department at 1-800-432-2382 for information. You can also write to the address listed on the back page of this manual.



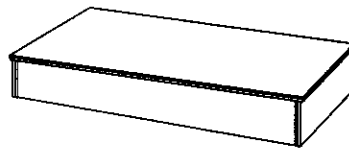
### MANUAL SHUTOFF VALVE - GA5010

For all models. Manual shutoff valve with 1/8" NPT tap. Fits 1/2" NPT pipe.



### BLOWER ACCESSORY - GA3750

Use with Model CGFB32C only. The variable blower allows you to select the desired speed. The blower circulates heated air from the fireplace into the room.

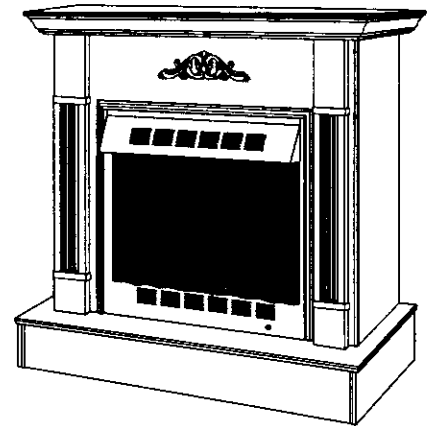


### HEARTH BASE - Use with Cabinet Mantel GC3333F- Walnut Finished GC3335F Series - Oak Finished GC3334U - Unfinished

The hearth base creates a handsome riser for the fireplace. Approximate Dimensions (HxWxD): 6 1/2" x 58" x 28 9/16"

### BRASS TRIM ACCESSORY - GA7090 (Not Shown)

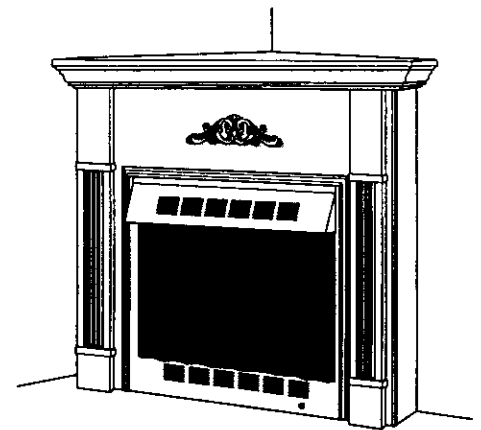
Required with all mantel accessories. Optional with built-in installation. Provides a finished appearance covering rough and/or unfinished mantel edges.



### CABINET MANTEL WITH PERIMETER BRASS TRIM GMC11F Series - Walnut Finished GMC13F Series - Oak Finished GMC12U Series - Unfinished

Mantel features moldings, fluted sides and medallion. Available in walnut finished or unfinished hardwood, ready to stain or paint. Shown with optional base accessory.

Approximate Dimensions (HxWxD): 44" x 57 3/4" x 22 7/8"



### CORNER MANTEL WITH PERIMETER BRASS TRIM GMC36F Series - Walnut Finished GMC37U Series - Unfinished

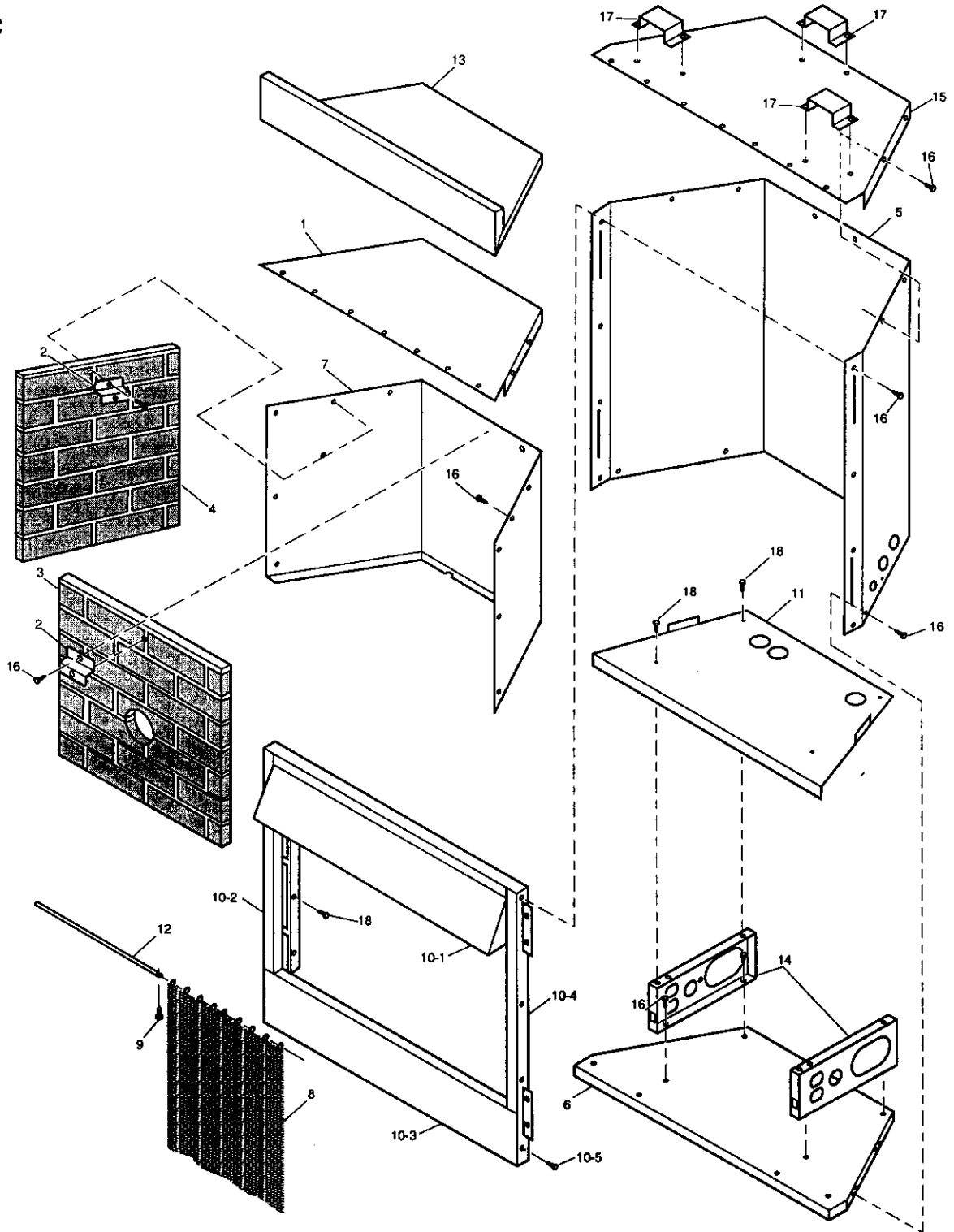
Ideal for space saving installations. Approximate Dimensions (WxHxD): 60 7/8" x 48 3/4" x 34 5/8"

*Comfort Glow*®

# UNVENTED (VENT-FREE) FIREBOX

## ILLUSTRATED PARTS BREAKDOWN

CGFB32NC



# OWNER'S MANUAL

## PARTS LIST FIREBOX

This list contains replaceable parts used in your firebox. When ordering parts, follow the instructions listed under *Replacement Parts* on page 11 of this manual.

### CGFB32NC

KEY NO.	CGFB32NC PART NUMBER	DESCRIPTION	QTY.
1	101872-03	Firebox Top	1
2	101889-01	Firebrick Retainer	3
3	101929-03	Rear Firebrick	1
4	101932-03	Side Firebrick	2
5	103207-01	Outer Casing	1
6	103208-01	Outer Shell Base	1
7	103245-01	Firebox Wrapper	1
8	103297-01	Assembly Screen	2
9	099230-02	Shoulder Screw	2
10	**	Front Assembly	
10-1	103411-02CK	Hood, Louvered, Painted	1
10-2	103205-01CK	Side, Left, Painted	1
10-3	103211-02CK	Panel, Front Lower, Painted	1
10-4	103206-01CK	Side, Right, Painted	1
10-5	M11084-26	Screw, HWH AB 10-16	8
11	103250-01CK	Firebox Bottom	1
12	103809-01	Screen Rod	2
13	103816-01	Firebox Insulation	1
14	101348-01	Firebox Support	2
15	101357-03	Outer Casing Top	1
16	M11084-26	Hex Head Screw, #10-16	49
17	098194-02	Stand Off	3
18	098304-01	Phillips Pan Head Screw, #10	13

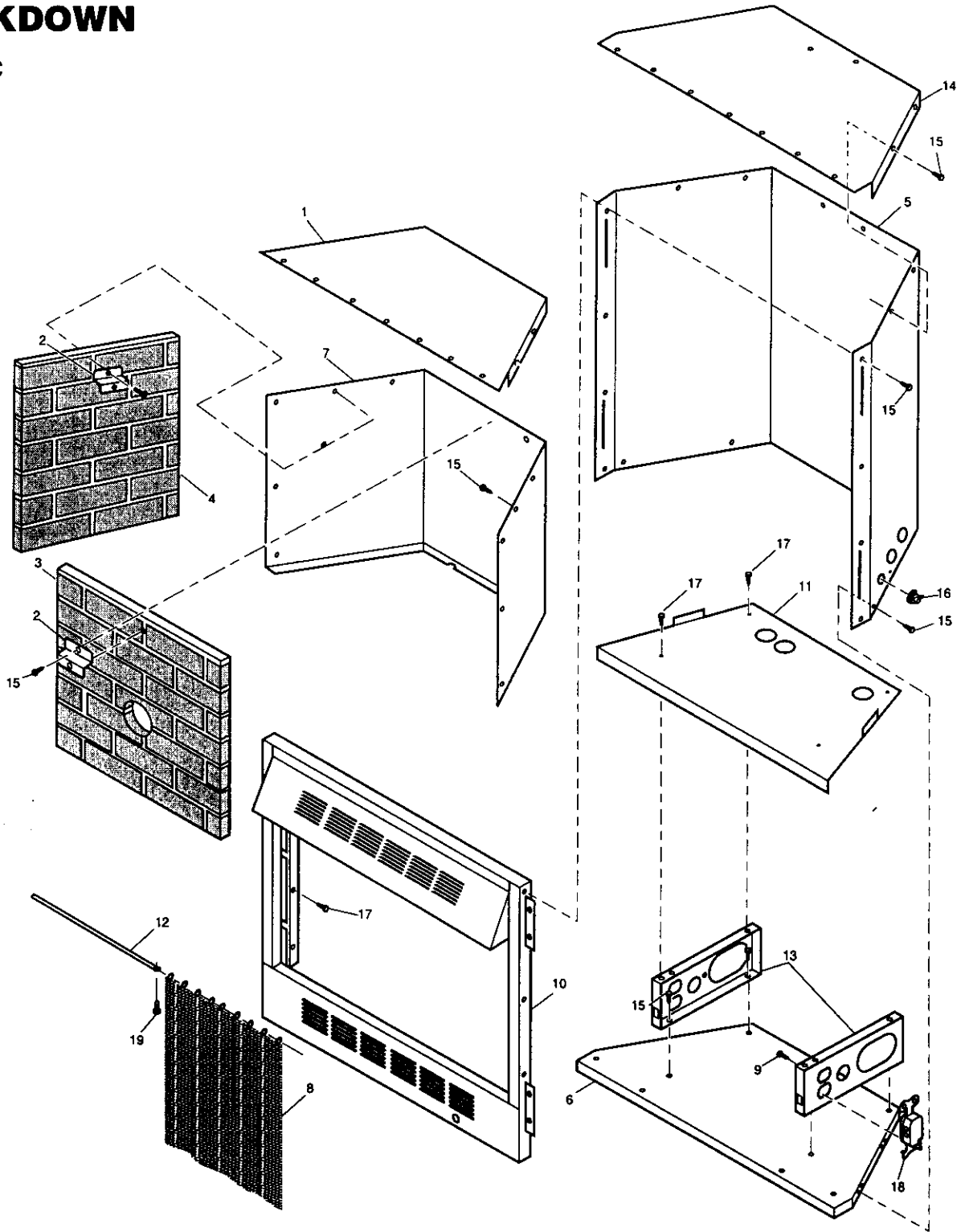
\*\*Not Available as an Assembly

*Comfort Glow*<sup>®</sup>

# UNVENTED (VENT-FREE) FIREBOX

## ILLUSTRATED PARTS BREAKDOWN

CGFB32C



# OWNER'S MANUAL

## PARTS LIST FIREBOX

This list contains replaceable parts used in your firebox. When ordering parts, follow the instructions listed under *Replacement Parts* on page 11 of this manual.

CGFB32C

KEY NO.	CGFB32C PART NUMBER	DESCRIPTION	QTY.
1	101872-03	Firebox Top	1
2	101889-01	Firebrick Retainer	3
3	101929-03	Rear Firebrick	1
4	101932-03	Side Firebrick	2
5	103207-01	Outer Casing	1
6	103208-01	Outer Shell Base	1
7	103245-01	Firebox Wrapper	1
8	103297-01	Assembly Screen	2
9	M12461-2	Screw, Outlet Mounting	1
10	**	Front Assembly	
10-1	103411-01CK	Hood, Louvered, Painted	1
10-2	103205-01CK	Side, Left, Painted	1
10-3	103211-03CK	Panel, Front Lower, Painted	1
10-4	103206-01CK	Side, Right, Painted	1
10-5	M11084-26	Screw, HWH AB 10-16	8
11	103250-01CK	Firebox Bottom	1
12	103809-01	Screen Rod	2
13	101348-01	Firebox Support	2
14	101357-01	Outer Casing Top	1
15	M11084-26	Hex Head Screw, #10-16	49
16	103771-01	Strain Relief Fitting	1
17	098304-01	Phillips Pan Head Screw, #10	13
18	103769-01	Duplex Outlet	1
19	099230-02	Shoulder Screw	2

\*\*Not Available as an Assembly

## PARTS CENTRALS

These Parts Centrals are privately-owned businesses. They have agreed to support our customer's needs by providing original replacement parts and accessories.

**Baltimore Electric**  
1348 Dixwell Avenue  
Hamden, CT 06514  
1-800-397-7553  
203-248-7553  
Parts Department

**Portable Heater Parts**  
342 N. County Rd. 400 E.  
Valparaiso, IN 46383  
All States  
219-462-7441  
1-800-362-6951  
Parts Department

**FBD**  
1349 Adams St.  
Bowling Green, KY 42103  
502-846-1199  
1-800-654-8534  
Fax: 1-800-846-0090

**Four Flags Power Products**  
1115 Stateline Road  
Niles, MI 49120  
616-684-2697  
1-800-268-4983  
Parts Only

**Master Parts Distributor**  
1251 Mound Ave. NW  
Grand Rapids, MI 49504-2672  
616-791-0505  
1-800-446-1446  
Fax: 1-616-791-8270  
Parts Department

**Washer Equipment Co.**  
1715 Main Street  
Kansas City, MO 64108-2195  
KS, MO, AR  
816-842-3911  
Parts Department

**East Coast Energy Products**  
707 Broadway  
W. Long Branch, NJ 07764  
732-870-8809  
1-800-755-8809  
Parts Department

**Tarantin Tank Co.**  
P.O. Box 6129  
Freehold, NJ 07728  
908-780-9340  
1-800-922-0724  
Parts Department

**Dayton Hardware**  
P.O. Box 275  
North Dayton Station  
Dayton, OH 45404  
All States  
513-258-3721  
OH 1-800-762-3426  
Parts Department

**Halco Enterprises**  
208 Carter Drive, Unit 21  
West Chester, PA 19382-4500  
610-430-7717  
1-800-368-0803  
Parts Department

**LaPorte's Parts and Service**  
2444 North 5th Street  
Hartsville, SC 29550-7704  
803-332-0191  
Parts Department

**Cans Unlimited, Inc.**  
P.O. Box 645  
Taylor, SC 29687  
All States  
803-879-3009  
1-800-845-5301  
Parts Department

**Heater and Fireplace Store**  
1922 N. Route 9  
Cape May Court, NJ 08210-1110  
609-624-0678  
Parts Department

# WARRANTY INFORMATION

## KEEP THIS WARRANTY

Model \_\_\_\_\_

Serial No. \_\_\_\_\_

Date Purchased \_\_\_\_\_

### LIMITED WARRANTY COMFORT GLOW VENT-FREE RESIDENTIAL GAS HEATERS

Always specify model and serial numbers when communicating with the factory.

We reserve the right to amend these specifications at any time without notice. The only warranty applicable is our standard written warranty. We make no other warranty, expressed or implied.

DESA International warrants this product to be free from defects in materials and components for two (2) years from the date of first purchase, provided that the product has been properly installed, operated and maintained in accordance with all applicable instructions. To make a claim under this warranty the Bill of Sale or cancelled check must be presented.

This warranty is extended only to the original retail purchaser. This warranty covers the cost of part(s) required to restore this heater to proper operating condition and an allowance for labor when provided by a DESA Authorized Service Center. Warranty part(s) MUST be obtained through authorized dealers of this product and/or DESA International who will provide original factory replacement parts. Failure to use original factory replacement parts voids this warranty. The heater MUST be installed by a qualified installer in accordance with all local codes and instructions furnished with the unit.

This warranty does not apply to parts that are not in original condition because of normal wear and tear, or parts that fail or become damaged as a result of misuse, accidents, lack of proper maintenance or defects caused by improper installation. Travel, diagnostic cost, labor, transportation and any and all such other costs related to repairing a defective heater will be the responsibility of the owner.

TO THE FULL EXTENT ALLOWED BY THE LAW OF THE JURISDICTION THAT GOVERNS THE SALE OF THE PRODUCT; THIS EXPRESS WARRANTY EXCLUDES ANY AND ALL OTHER EXPRESSED WARRANTIES AND LIMITS THE DURATION OF ANY AND ALL IMPLIED WARRANTIES, INCLUDING WARRANTIES OF MERCHANTABILITY AND FITNESS FOR A PARTICULAR PURPOSE TO TWO (2) YEARS ON ALL COMPONENTS FROM THE DATE OF FIRST PURCHASE; AND DESA INTERNATIONAL'S LIABILITY IS HEREBY LIMITED TO THE PURCHASE PRICE OF THE PRODUCT AND DESA INTERNATIONAL SHALL NOT BE LIABLE FOR ANY OTHER DAMAGES WHATSOEVER INCLUDING INDIRECT, INCIDENTAL OR CONSEQUENTIAL DAMAGES.

Some states do not allow a limitation on how long an implied warranty lasts or an exclusion or limitation of incidental or consequential damages, so the above limitation on implied warranties, or exclusion or limitation on damages may not apply to you.

This warranty gives you specific legal rights, and you may also have other rights that vary from state to state.

For information about this warranty write:

**DESA**  
INTERNATIONAL

2701 Industrial Drive  
P.O. Box 90004  
Bowling Green, KY 42102-9004



103573 01

NOT A UPC