



## W26ME WALL MANTEL AND BASE ASSEMBLY AND INSTALLATION INSTRUCTIONS



Shown with  
Dark Reed  
Panels



Shown with  
Light Reed  
Panels

**IMPORTANT:** Read entire instruction sheet before assembling or installing mantel kit.

**This mantel is only approved for use with any DESA Heating Products 26" gas or electric fireplace system. Do not use mantel with any other product.**

This mantel kit contains the following:

- Mantel pieces - unassembled and marked as follows:
  - #1 Base
  - #2 Right Side with arrow
  - #3 Right Front Leg with arrow
  - #4 Left Side with arrow
  - #5 Left Front Leg with arrow
  - #6 Header with arrow
  - #7 Top
  - #8 Top Assembly Blocks (3)
  - #9 Header Assembly Blocks (2)
  - #10 Fruitwood (light) Left and Right Reed Panels (2)
  - #11 Fruitwood (light) Front Reed Panel
  - #12 Espresso (dark) Left and Right Reed Panels (2)
  - #13 Espresso (dark) Front Reed Panel
  - #14 Corner Trim (4)
- Hardware Kit\*

12 - Metal Brackets	118937-01
24 - Screws M6 x 12 mm (1/2")	121149-01
20 - Screws M6 x 30 mm (1 1/4")	121335-01
20 - Washers M6	121336-01
1 - Allen Wrench	121337-01

\*Extra hardware may be included.
- Perimeter Trim Kit 113140-02 (GAB6094)

If any wood pieces are missing or damaged, contact the dealer where you purchased this mantel for replacement. If hardware is missing or damaged, contact DESA Heating Products at 1-866-672-6040 for referral information. You can also visit DESA Heating Products' technical service web site at [www.desatech.com](http://www.desatech.com).

*Note: Gather all mantel pieces together before assembling mantel.*

**⚠ WARNING: Use only 1/2" screws to attach metal angle brackets. Damage to mantel will result if other screws are used for this purpose.**

### ASSEMBLING MANTEL

**IMPORTANT: More than one person is required to assemble and lift mantel.**

Estimated assembly time: 45 minutes.

When assembling mantel do not tighten screws completely until told to do so. There should be some play in the pieces to allow for proper alignment and best possible fit. It is very important that more than one person assemble mantel together. Panels must be held in proper alignment to each other while tightening screws to assure fewer gaps and proper surface alignment. When tightening screws, do not over tighten. This may cause threads to strip. For this reason, the supplied Allen wrench should be used rather than a power screwdriver. The panels have threaded inserts installed to mark your screw locations. Screws should start and turn easily in threaded holes when assembled according to instructions. Do not force screws into holes.

**IMPORTANT:** There is a serial number label inside of right side panel and on outside package. When calling to request technical assistance or for replacement parts please have that number ready.

## LEG ASSEMBLY

1. Lay right side panel (#2) face down on a soft surface to avoid marking finish. Attach three brackets with 1/2" screws to bottom of right front leg (#3), leaving screws slightly loose. Face brackets out toward tongued side (see Figure 1). Place right front leg over right side (#2) matching groove in leg to tongue on side, as shown in Figure 1. Align threaded holes with brackets on side. Start three 1/2" screws through brackets. Align bottom of side and leg assembly so they are flush with each other. Hold these pieces securely in alignment while tightening (but not over tightening) screws.
2. Assemble left side (#4) and left leg (#5) as described in step 1.
3. Attach 6 brackets to base (#1) at threaded hole locations using 1/2" screws leaving screws loose. Face brackets toward outside (see Figure 2).

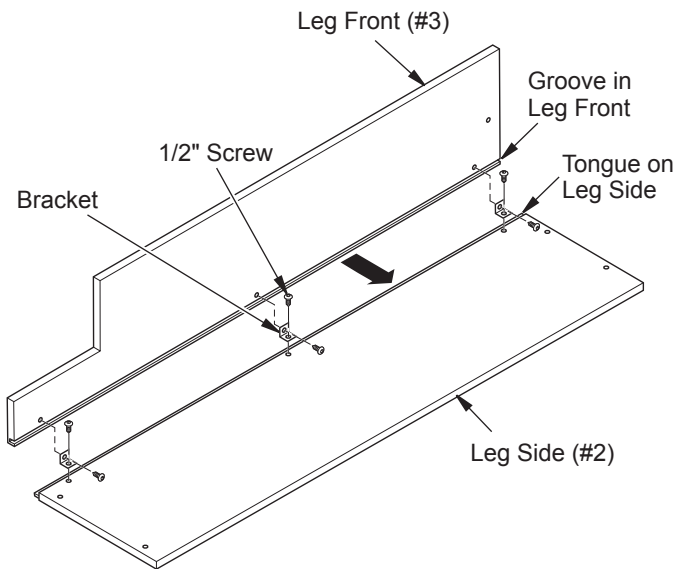


Figure 1 - Right and Left Leg Assemblies

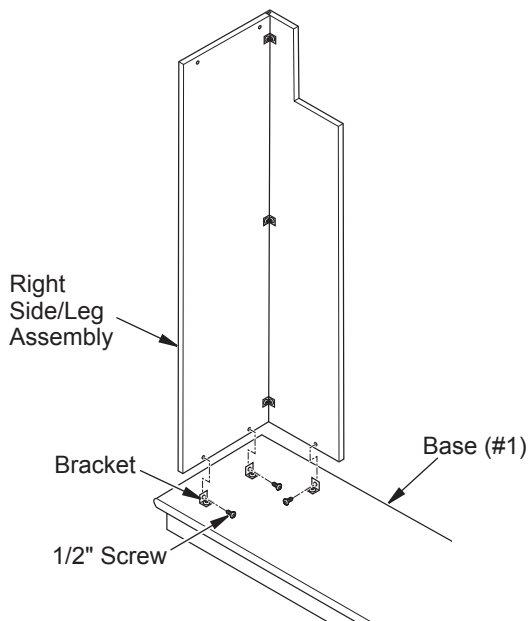


Figure 2 - Leg Assembly to Base

4. Place right side/leg assembly on base and align threaded holes with brackets. Start 1/2" screws through brackets into threaded holes in side/leg assembly. Back of side/leg assembly should be flush with back of base. Assure alignment is correct and spaces are at a minimum. Leave screws slightly loose.
5. Assemble left side/leg assembly to base following step #4.

## HEADER ASSEMBLY

1. Start two 1 1/4" screws with washers through header assembly block (#9) into threaded inserts on right side of mantel. Repeat for left side (see Figure 3).
2. With arrow pointing up, place header (#6) into position on top of leg assemblies and against header assembly block (#9) (see Figure 3). Start two 1 1/4" screws with washers through header assembly blocks (#9) into threaded inserts in header. Hold header in proper alignment with leg assemblies and tighten, leaving screws slightly loose.

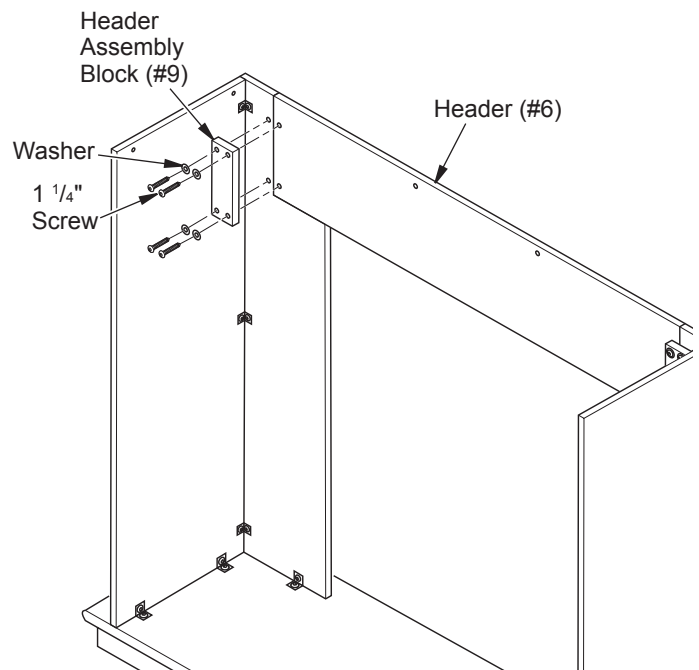


Figure 3 - Attaching Header

## MANTEL TOP ASSEMBLY

1. Start two 1 1/4" screws with washers through each of the three header assembly blocks (#8) and into threaded inserts on mantel as shown in Figure 4.
2. Place mantel top (#7) on mantel assembly. Align back of top with back of sides. Using six 1 1/4" screws with washers, install two in each header assembly block (#8) (see Figure 4). Make sure all pieces are aligned properly and tighten all screws.

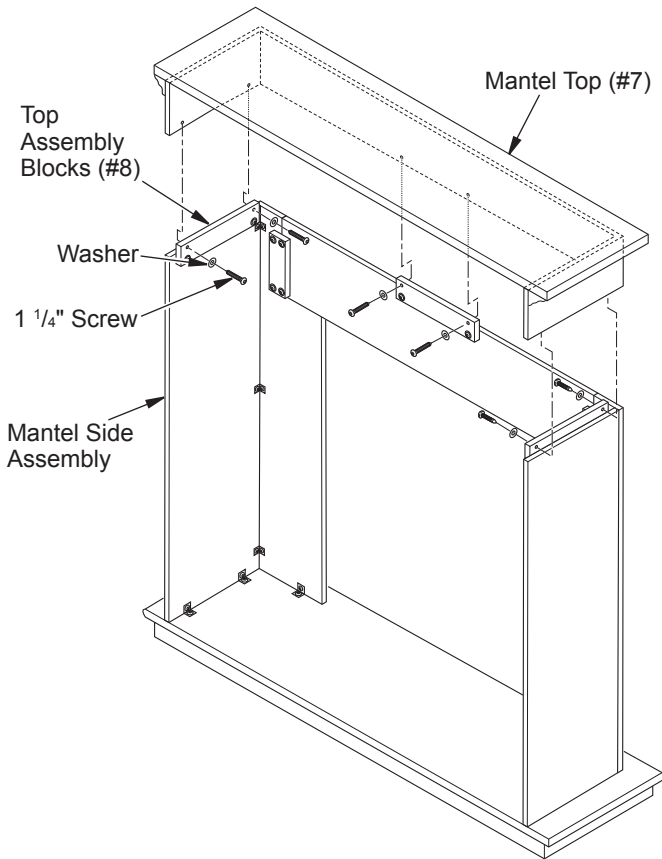


Figure 4 - Attaching Mantel Top

## FINISHING MANTEL

Starting with left side leg assembly, tighten screws using Allen wrench provided. Tighten screws on the right side leg assembly, header, top assembly and base.

## REED INSTALLATION

1. Mantel kit contains two sets of reed panels. A dark set (Espresso) and a light set (Fruitwood). Determine which set you prefer. Store second set in safe, dry location on a flat surface to interchange in the future if you so desire.
2. Slide front reed panel (#11 or #13) into track on front of mantel top (see Figure 5).
3. Slide left and right reed panels (#10 or #12) into tracks on sides of mantel top. Be sure panel colors match.
4. Install 4 corner trim pieces (#14) by sliding onto dovetail guide on mantel top (see Figure 5). Corner pieces should slide on easily. Do not apply excessive force to prevent breakage.

*Note: Reed panels can be changed after installation.*



Figure 5 - Installing Reed Panels

## ELECTRIC FIREPLACE INSTALLATION

This mantel can be used with any DESA Heating Products 26" electric fireplace. Electric fireplaces install from the front of mantel. To install electric fireplace see fireplace instruction manual. Use caution when positioning fireplace on base. Base may scratch easily.

## GAS FIREPLACE INSTALLATION

1. Fireplace should be fully assembled. See *Assembling Fireplace* in fireplace owner's manual.
2. Place mantel base close to installation location. See fireplace owner's manual for installation clearances. Leave enough room to insert fireplace from back of mantel.
3. Install gas line. See *Connecting to Gas Supply* in fireplace owner's manual. Remember to leave access to the gas shutoff valve somewhere on the base or where it is accessible to the user.
4. Check for leaks. See *Checking Gas Connections* in fireplace owner's manual.
5. Position fireplace inside mantel (see Figure 6). Carefully position gas lines. Important: Use caution when positioning fireplace on base. Base may scratch easily. Make sure fireplace is in proper position within mantel opening before continuing with installation.
6. **Fireplace with louver door:** Lower bottom louver door. Use two screws provided in hardware package and attach fireplace to wooden base. Close louver door.

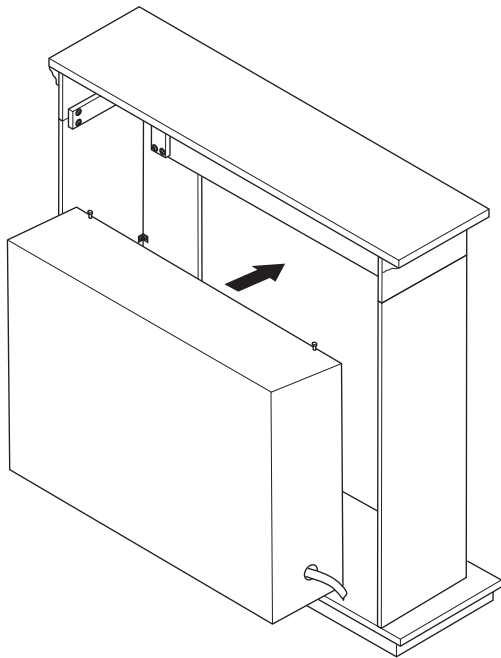


Figure 6 - Installing Fireplace

**Fireplace with fixed louver:** Before installing logs or burner assembly (see owner's manual) remove screws securing floor to assembly. Lift floor for access to bottom of fireplace. Use two screws provided in fireplace hardware package and attach fireplace base to wooden base. Reinstall floor with screws removed previously.

7. If mantel trim has not yet been assembled, see *Assembling Perimeter Trim*. Place metal trim on shoulder screws. Firmly snap trim assembly over shoulder screws on fireplace.
8. Carefully push mantel and base into position against wall.

## ASSEMBLING PERIMETER TRIM

1. Remove packaging from three pieces of metal trim.
2. Locate two adjusting plates with set screws, and two shims in the hardware packet.
3. Align shim under adjusting plate as shown in Figure 7.
4. Slide one end of adjusting plate/shim in slot on mitered edge of top trim (see Figure 7).
5. Slide other end of adjusting plate/shim in slot on mitered edge of side trim (see Figure 7).
6. While firmly holding edges of trim together, tighten both set screws on the adjusting plate with slotted screwdriver.
7. Repeat steps 2 through 6 for other corner.

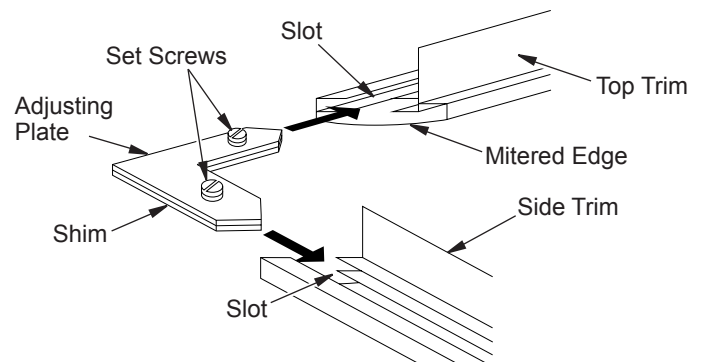


Figure 7 - Assembling Trim



DESA Heating, LLC  
2701 Industrial Drive  
P.O. Box 90004  
Bowling Green, KY 42102-9004  
www.desatech.com

122025-01  
Rev. A  
06/07