



W23FT MANTEL AND BASE ASSEMBLY AND INSTALLATION INSTRUCTIONS



IMPORTANT: Read entire instruction sheet before assembling or installing mantel kit.

This mantel is only approved for use with DESA Heating Products 21" and 23" fireplace systems*. Do not use mantel with any other product.

*CGEF21, CGEF23, VEF21, VEF23, CGMFP, CGMFP, VGMRN, VGMRP SERIES.

This mantel kit contains the following:

- Mantel pieces - unassembled and marked as follows:
 - #1 Base
 - #2 Right Side with arrow
 - #3 Right Front Leg with arrow
 - #4 Left Side with arrow
 - #5 Left Front Leg with arrow
 - #6 Header with arrow
 - #7 Top
 - Hardware Kit*

10 - Metal Brackets	118937-01
20 - Screws M6 x 12 mm (1/2")	121149-01
8 - Screws M6 x 30 mm (1 1/4")	121335-01
8 - Washers M6	121336-01
1 - Allen Wrench	121337-01
- * Extra hardware may be included.

If any wood pieces are missing or damaged, contact the dealer where you purchased this mantel for replacement. If hardware or trim is missing or damaged, contact DESA Heating Products at 1-866-672-6040 for referral. You can also visit DESA Heating Products' technical service web site at www.desatech.com.

Note: Gather all mantel pieces together before assembling.

ASSEMBLING MANTEL

WARNING: Use only 1/2" screws to attach metal angle brackets. Damage to mantel will result if other screws are used for this purpose.

IMPORTANT: More than one person is required to lift assembled mantel. Lift mantel by leg assemblies. Lifting by header or mantel top could damage mantel.

When assembling mantel do not tighten screws completely until told to do so. There should be some play in the pieces to allow for proper alignment and best possible fit. It is very important that more than one person assemble mantel. Panels must be held in proper alignment to each other while tightening screws to assure fewer gaps and proper surface alignment. When tightening screws, do not over tighten. This may cause threads to strip. The supplied Allen wrench should be used rather than a power screwdriver. Panels have threaded inserts installed at screw locations. Screws should start and turn easily in threaded holes when assembled according to instructions. Do not force screws into holes.

IMPORTANT: A serial number label is located inside of right side panel and on outside package. When calling to request technical assistance or for replacement parts please have serial number ready.

1. Lay right side panel (#2) face down on a soft surface to avoid marking finish. Attach three brackets with 1/2" screws to bottom of right front leg (#3) leaving screws slightly loose. Face brackets out (see Figure 1). Place right front leg (#3) over right side (#2) as shown in Figure 2, paying close attention to direction arrow pointing up on panels. Align threaded holes with brackets on side. Start three 1/2" screws through brackets. Align bottom of side and leg assembly so they are flush with each other. Hold these pieces securely in alignment while tightening (but not over tightening) screws.
2. Assemble left side (#4) and left leg (#5) as described in step 1.
3. You may prefer to lay mantel face down on a soft surface instead of upright to position header. Position header (#6) between leg assemblies with direction arrow pointing up (see Figure 3). Attach header with 1 1/4" screws and washers (see Figure 4).

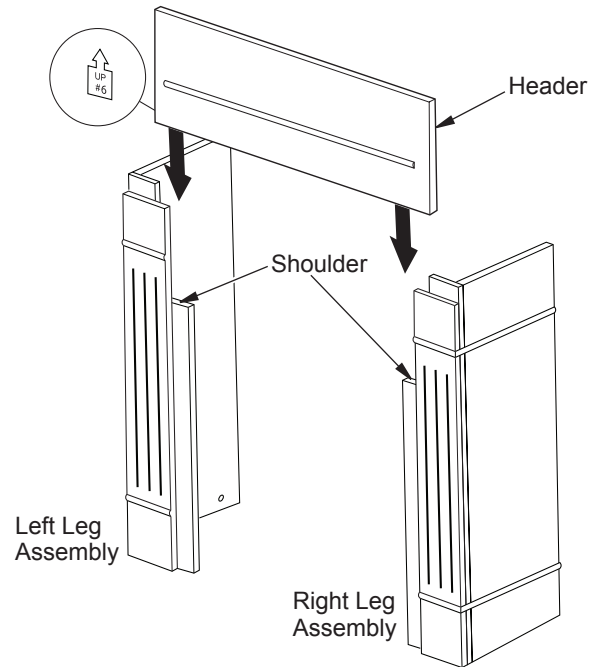


Figure 3 - Installing Header

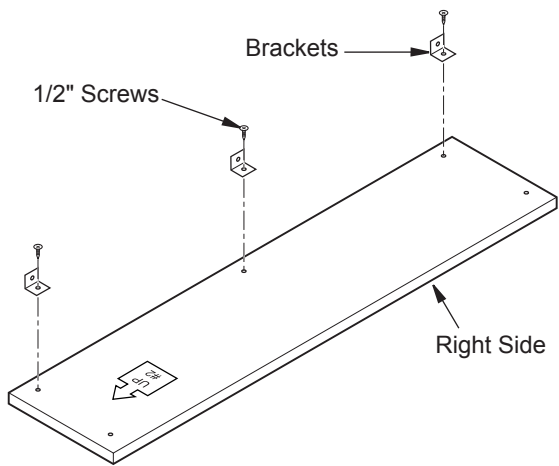


Figure 1 - Attaching Brackets to Side

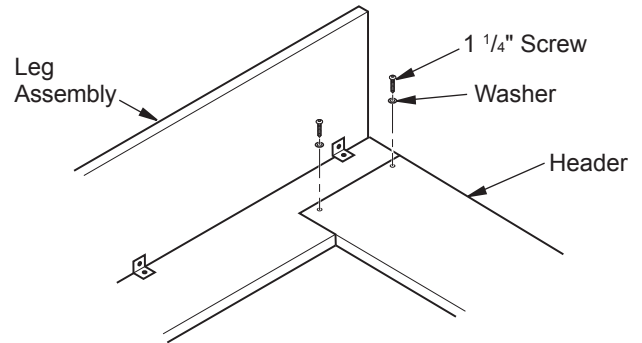


Figure 4 - Attaching Header to Leg Assembly

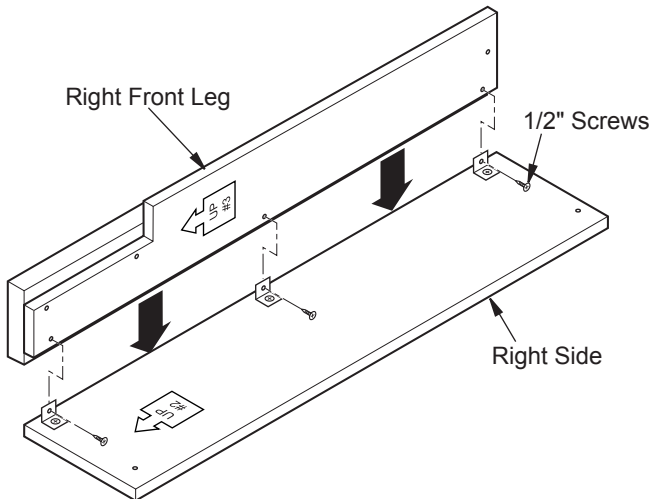


Figure 2 - Attaching Front Leg

ATTACHING TOP OF MANTEL

1. Place mantel top (#7) onto upright leg assembly (see Figure 5). Align back of top with back of sides.
2. Using four 1 1/4" screws with washers, attach top to header/leg assembly (see Figure 5).

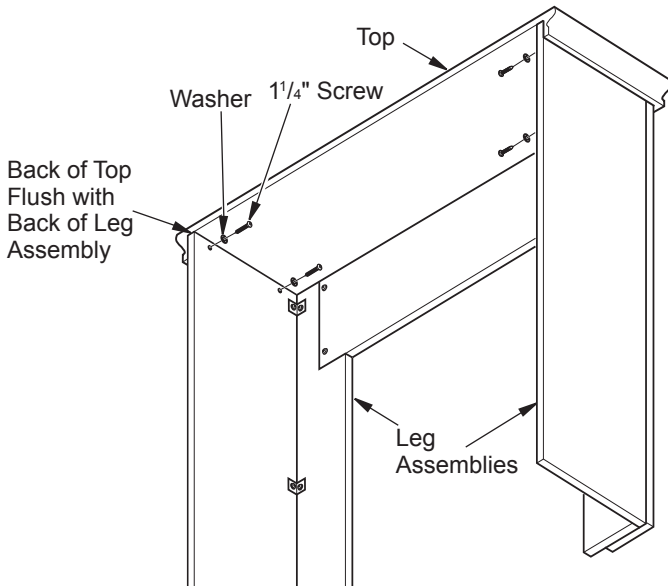


Figure 5 - Attaching Top to Leg and Header Assembly

ATTACHING MANTEL TO BASE

Attach mantel to base using 4 brackets and 1/2" screws, 2 per leg assembly, into threaded holes in base and leg assembly (see Figure 6).

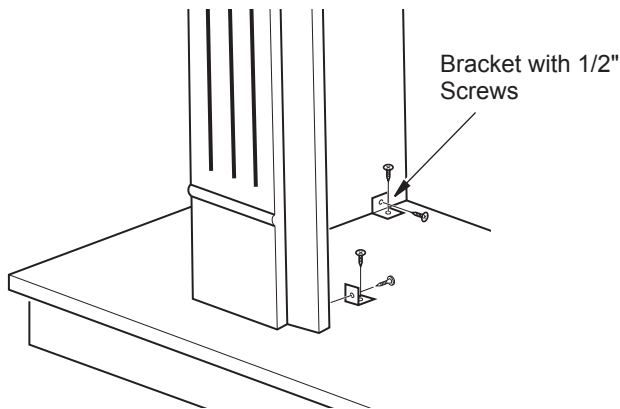


Figure 6 - Attaching Mantel Assembly to Mantel Base

GAS FIREPLACE INSTALLATION

1. Fireplace should be fully assembled. See [Assembling Fireplace](#) in fireplace owner's manual.
2. Place mantel base close to installation location. See fireplace owner's manual for installation clearances.
3. Mantel must be installed flush with wall. Remove baseboard along wall where mantel is to be installed. Baseboard will prevent proper installation of mantel and base.
4. If installing gas fireplace, install gas line. See [Connecting to Gas Supply](#) in fireplace owner's manual. Remember to leave access to the gas shutoff valve somewhere on the base or where it is accessible to the user. Check for leaks. See [Checking Gas Connections](#) in fireplace owner's manual.
5. Position fireplace inside mantel through front opening. Carefully position gas lines if applicable. **IMPORTANT:** Use caution when positioning fireplace on base. Base may scratch easily. Make sure fireplace is in proper position within the mantel opening before continuing with installation.

ELECTRIC FIREPLACE INSTALLATION

This mantel can be used with DESA Heating Products 23" Electric Fireplace. Electric fireplaces install from the front of mantel. To install electric fireplace see fireplace instruction manual. Use caution when positioning fireplace on base. Base may scratch easily.



DESA Heating, LLC
2701 Industrial Drive
P.O. Box 90004
Bowling Green, KY 42102-9004, USA
www.desatech.com
1-866-672-6040



121869 01
NOT A UPC

121869-01
Rev. B
08/07