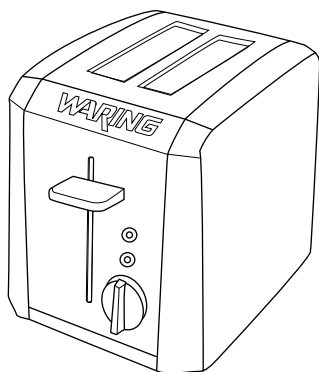
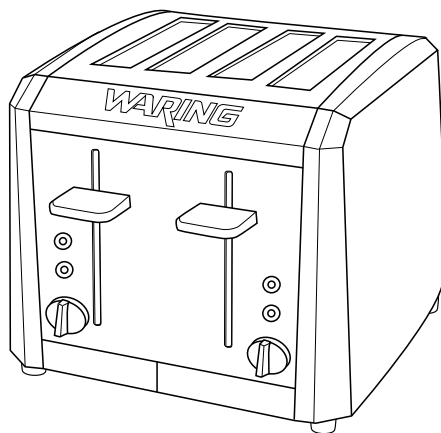


# WARING PRO<sup>®</sup>

## PROFESSIONAL COOL-TOUCH TOASTERS 2-SLICE AND 4-SLICE



**CTT200**



**CTT400**

For your safety and continued enjoyment of this product,  
always read the instruction book carefully before using.

# IMPORTANT SAFEGUARDS

When using an electrical appliance, basic safety precautions should always be followed, including the following:

1. **READ ALL INSTRUCTIONS.**
2. Do not touch hot surfaces. Use handles or knobs.
3. To protect against electrical shock, do not place any part of the toaster in water or other liquids. See instructions for cleaning.
4. Close supervision is necessary when any appliance is used by or near children.
5. Always unplug from outlet when not in use and before cleaning. Allow to cool before cleaning, handling, putting on or taking off parts.
6. **Do not operate any appliance with a damaged cord or plug, or after the appliance has malfunctioned or has been dropped or damaged in any way, or if it is not operating properly. Return the toaster to the nearest Waring Repair Center for examination, repair or mechanical or electrical adjustment.**
7. The use of accessory attachments not recommended by Waring Pro may cause injury.
8. Do not use outdoors.
9. Do not let cord hang over the edge of the table or countertop or touch hot surfaces.
10. Do not place toaster on or near a hot gas or electric burner or in a heated oven.
11. Do not use this toaster for other than intended use.
12. Oversize foods, metal foil packages or utensils must not be inserted in the toaster, as they may involve a risk of fire or electric shock.

13. A fire may occur if the toaster is covered or touching flammable materials such as curtains, draperies or walls when in operation. Do not operate under wall cabinets.
14. Do not attempt to dislodge food when the toaster is plugged into an electric outlet.
15. To avoid possibly of fire, do not leave toaster unattended during use.
16. To disconnect, remove plug from wall.
17. **CAUTION: DO NOT IMMERSE IN LIQUIDS.**

## **SAVE THESE INSTRUCTIONS FOR HOUSEHOLD USE ONLY**

### **SPECIAL CORD SET INSTRUCTIONS**

A short power-supply cord is provided to reduce the risks resulting from becoming entangled in or tripping over a longer cord. Extension cords may be used if care is exercised in their use.

If an extension cord is used, the marked electrical rating of the extension cord should be at least as great as the electrical rating of the appliance, and the longer cord should be arranged so that it will not drape over the countertop or tabletop, where it can be pulled on by children or tripped over.

**NOTICE:** This appliance has a polarized plug (one blade is wider than the other). To reduce the risk of electric shock, this plug is intended to fit into a polarized outlet only one way. If the plug does not fit fully into the outlet, reverse the plug. If it still does not fit, contact a qualified electrician. Do not attempt to modify the plug in any way.

# CONTENTS

Important Safeguards.....	2
Features and Benefits.....	4
Before First Use .....	5
Tips/Notes on Browning.....	5
Cleaning and Maintenance.....	9

## FEATURES AND BENEFITS

### 1. Dual Toasting Slots

1.3-inch slots toast a wide variety of breads.

### 2. High-Lift Carriage Control Lever

Brings the toast close to the top of the toaster, making it easy to remove smallest items.

### 3. Adjustable Shade Control & Cancel Knob

Turn knob to desired toast color from light to dark. To cancel, turn knob counterclockwise.

### 4. Bagel Button

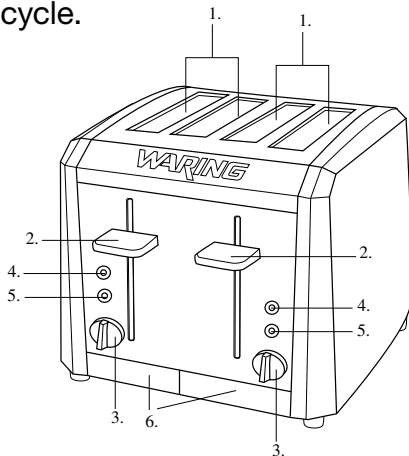
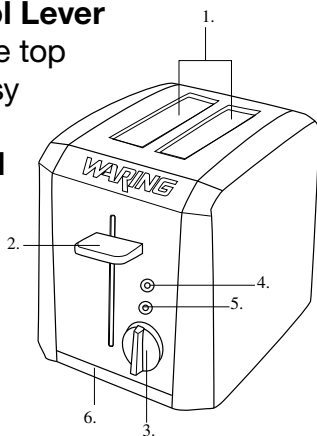
LED indicator light. Adds extra time to toasting cycle.

### 5. Defrost Button

LED indicator light. Defrost and toast frozen bread. Adds extra time to toasting cycle.

### 6. Slide-Out Crumb Tray(s)

Pull out to clean crumbs that collect in bottom of toaster.



## **BEFORE FIRST USE**

Unwind the power cord. Check that the crumb tray(s) is/are in place and that there is nothing in the toaster slot. Plug power cord into the wall outlet.

We recommend a “trial run” on the darkest setting to eliminate any protective substance or oil that may have been used for packing and shipping. A small amount of smoke and odor may be detected during this trial run. This is normal.

## **TIPS/NOTES ON BROWNING**

- Never force foods into the toasting slot. Foods should fit freely between the guide wires.
- Do not place buttered breads or pastries with fillings or frostings in the toaster, as this could be a fire hazard.
- Uneven toasting is usually due to bread slices of uneven thickness.
- After use, unplug your toaster from the electrical outlet.
- Toasting is a combination of cooking and drying the bread. Therefore, differences in moisture levels from one bread to another can result in varying toasting times.
- For slightly dry bread, use a lower setting than you normally would.
- For very fresh bread or whole wheat bread, use a higher setting than normal.
- Breads with very uneven surfaces (such as English muffins) will require a higher toast setting.

- Thickly cut pieces of bread (including bagels) will take longer to toast, sometimes significantly longer, since more moisture must be evaporated from the bread before toasting can occur. Very thick pieces may require two cycles.
- When toasting raisin or other fruit breads, remove any loose raisins, etc. from the surface of the bread before placing it into the toaster. This will help prevent fruit pieces from falling into the toaster or sticking on the guide wires in the slot.
- Before toasting bagels, slice each bagel into two equal halves.

## To Toast

### 1. **Insert slice(s) of bread.**

Be sure that multiple slices do not overlap and that the carriage is in the Up position.

### 2. **Set the Shade Control.**

Turn Shade Control knob to desired setting from light to dark.

### 3. **Press down carriage control lever.**

4. **Note:** The carriage control lever will not stay down unless the toaster is plugged in.

### 5. **To stop toasting:**

When the toasting cycle is finished, the toast will be raised. If you wish to stop the cycle before it is finished, simply turn the Shade Control knob counterclockwise to cancel. Do not use carriage control lever to cancel toasting.

## **Single-Slice Toasting**

If you are toasting a single slice of bread, set the Shade Control to a lighter setting than you normally would. The toaster is designed to heat the whole toasting chamber for two slices. By lowering the heat for a single slice, you won't overtoast.

## **Defrost Button**

The Defrost button is designed to first defrost and then toast the bread, which extends the toasting cycle.

The following breads and pastries should be warmed using the Defrost button: frozen waffles, pancakes, French toast and frozen bagels.

Exercise caution with toaster pastries; the filling can become quite hot, long before the surface of the pastry becomes browned. Never leave toaster pastries unattended while toasting or warming.

1. Insert slice(s) of bread, frozen waffles, pancakes, French toast or frozen bagels. Be sure that multiple slices do not overlap and the carriage is in the Up position.
2. Turn Shade Control knob to desired setting from light to dark.
3. Press the carriage control lever until it locks into the Down position.
4. Press the Defrost button within 10-second cycle time. Blue LED indicates feature is activated. (If you press the wrong function button, simply press the button again to cancel that function.)
5. When the defrost cycle is complete, the toaster will raise the bread.

## **To stop cycle**

If you wish to stop the cycle before it is finished, simply turn the Shade Control knob counterclockwise to cancel. Do not use the carriage control lever to cancel toasting. After use, unplug the toaster from the electrical outlet.

## **Bagel Button**

The Bagel feature adds extra time to the toasting cycle.

1. Insert bagel slice(s).
2. Turn Shade Control knob to desired setting from light to dark.
3. Press the carriage control lever until it locks into position.
4. Press the Bagel button within 10-second cycle time. Blue LED indicates feature is activated. (If you press the wrong function button, simply press that button again to cancel that function.)

When the bagel cycle is complete, the toaster will raise the bagel. If you wish to stop the cycle before it is finished, simply turn the Shade Control knob counterclockwise to cancel. Do not use the carriage control lever to cancel toasting.



## **CLEANING AND MAINTENANCE**

Always allow the toaster to cool completely before cleaning.

1. Always unplug the toaster from the electrical outlet.
2. Do not use abrasive cleansers. Simply wipe the exterior with a clean damp cloth and dry thoroughly. Apply any cleansing agent to a cloth, not to the toaster, before cleaning.
3. To remove crumbs, slide out the crumb tray(s) and discard crumbs. Wipe clean and replace. Never operate toaster without the crumb tray(s) in place. **CRUMB TRAY(S) SHOULD BE HAND WASHED ONLY.**
4. To remove any pieces of bread remaining in the toaster, turn the toaster upside down and gently shake. Never insert any hard or sharp instruments into the slot, as this could damage the toaster and cause a safety hazard.
5. Never wrap the cord around the outside of the toaster.
6. Never place any food or objects on top of toaster, as this is a fire hazard.





**Any trademarks or service marks of third parties herein are the trademarks or service marks of their respective owners.**

**©2010 Waring Consumer Products  
150 Milford Road  
East Windsor, NJ 08520**

**[www.waringpro.com](http://www.waringpro.com)**

**Printed in China**

**10WR116741**

**IB-10182**