

SLELCLG-7DC

STEALTH LOCKING FURNITURE MOUNT

Designed to work with LG Models: 26LC7DC, 32LX7DC, 32LX7DCS & 32LC7DC

SECURITY LOCKING MECHANISM

Traps the monitor attaching hardware and prevents access to the hardware attaching to the furniture. Preventing easy removal of the monitor without the appropriate tool.

CONVERT OLD CRT TUBE TVS TO LCD FLAT SCREENS

The mounting base used for the SLELCLG-5DC is the same base used in other SLE type products from Lucasey Manufacturing for CRT Tube TVs. The interchangeable base can be used to convert from existing SLE CRT TV mounts to Flat Screens using the SLELCLG-5DC.

SECURITY RELEASE TOOL

The patented security mechanism used for the SLELCLG-5DC ensures that the flat screen can not be easily removed from its mounted location without the appropriate security removal tool.

PROTECT EXPENSIVE COUNTERTOPS

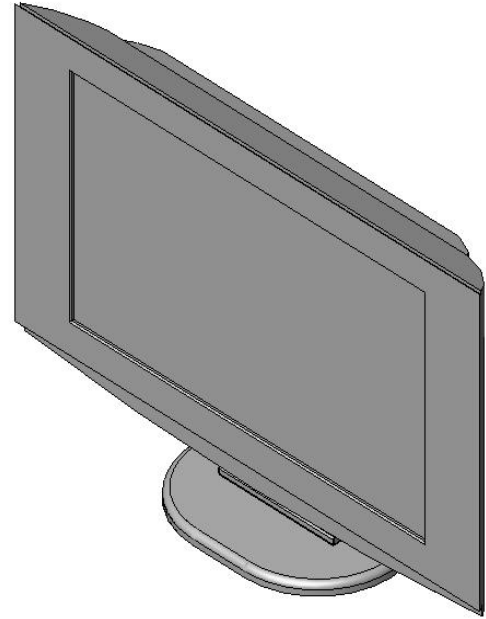
When mounting on furniture that has marble, granite or Corian® surfaces, where the countertop can not be screwed into, Lucasey has an optional adhesive accessory that can be used. The APSLEADS furniture mounting accessory, sold separately, uses an adhesive pad to connect with the countertop, screws into the back of the furniture and attaches to the SLE Base. This maintains the security for the monitor while preventing damage to expensive countertops.

FAST INSTALLATION

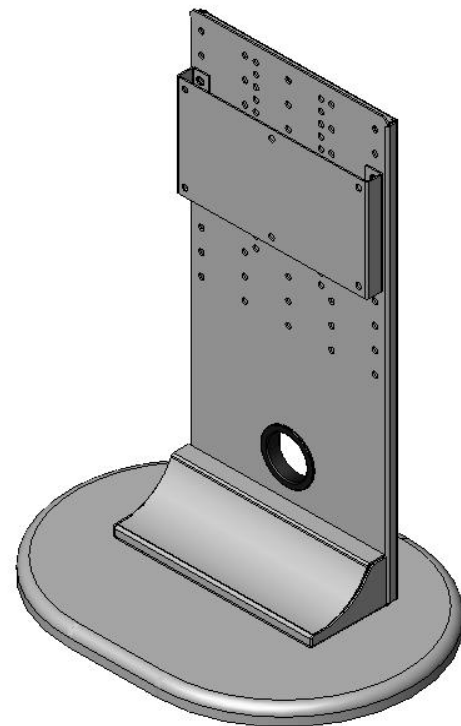
Once the proper mounting location is determined, the SLE Base can be installed very quickly onto the furniture. The SLELCLG-5DC mounting plate can be attached to the monitor and assembled in a few minutes. For large installations, many rooms can be finished in a short time.

EASY CARE AND MAINTENANCE

The decorative plastic cover allows for easy cleaning under and around the monitor. Clean with a soft dust cloth and do not use any cleaners that may damage the plastic or metal surfaces.



Monitor Not Included



Important! Please read all warnings and cautions before installing the mount.

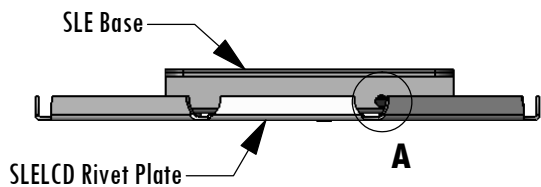
Caution: Improper installation of this mount may void the warranty on your monitor.

Caution: Installation should be performed by qualified installers only, using construction methods prescribed by authorized architects or engineers that comply to all applicable codes and standards.

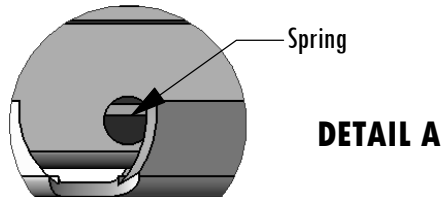
The maximum weight of monitor to be installed on the SLELCLG-7DC is 50 Lbs. (22.7 Kg.)

Inspect all parts to make sure there is no shipping damage. Do not install if any parts are missing or damaged.

Please call 1-800-LUCASEY or 1-510-534-1435 if you have any questions about this installation.



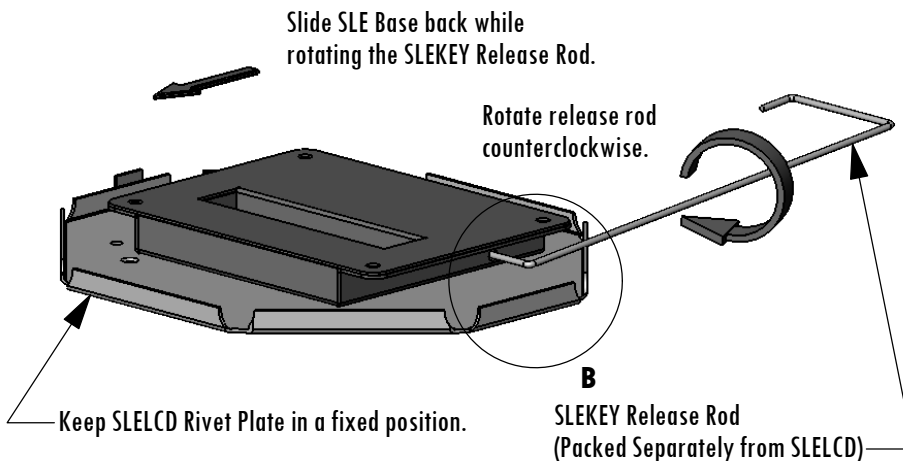
The SLE Base ships attached to the SLELCD Rivet Plate, as shown above, to ensure the quality of the primary mount mechanism. In order to separate the SLE Base from the SLELCD Rivet Plate, the SLEKEY Release Rod is required. The SLEKEY Release Rod does not ship in the same package with the SLELCD. The SLEKEY Release Rods are packaged separately to keep control over who has the unlocking tool to remove the screen from the security mount.



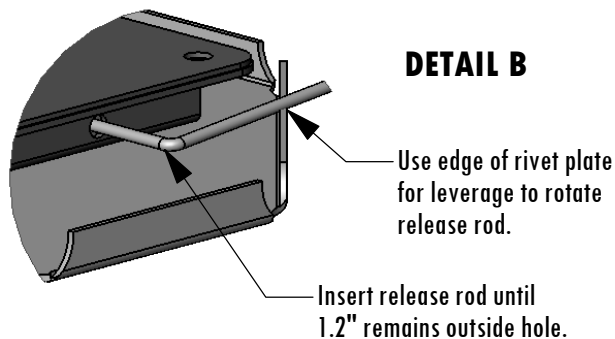
Unpack all of the components from the box and check against the component list below.

- 1 ... SLE Base attached to SLELCD Rivet Plate
- 1 ... SLECLG-7DC Mounting Plate
- 1 ... SLECLG-7DC Back Cover
- 1 ... SLELCD Plastic Dress Cover
- 1 ... SLECLG5-DC Installation Instruction Hardware Kit Containing:
 - 6 ... #10-24 x 1/2" Countersunk Screws
 - 4 ... #10 Wood Tapping Screws
 - 6 ... 4mm x 25mm Setscrews
 - 12 ... 4mm Hex Nuts
 - 18 ... 5mm Flat Washers
 - 1 ... #10-24 Nylock Nut
 - 1 ... #10 Flat Washer
 - 1 ... SLE Stop Plate
 - 1 ... 1" Plastic Edge Protector

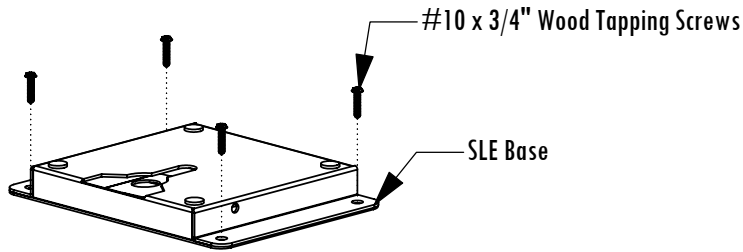
The Spring inside the SLE Base splits the hole. The SLEKEY Release Rod goes under the spring pushing it upwards (towards the bottom of the SLE Base) to release the SLELCD Rivet Plate.



To separate the SLE Base from the SLELCD Rivet Plate; orient the parts as shown in the illustration above, Insert the SLEKEY Release Rod into the hole on the side of the SLE Base until 1.2" of the rod remains outside the hole (See DETAIL B). Rotate the SLE Release Rod counterclockwise while putting pressure on the SLE Base to slide it back and holding the SLELCD Rivet Plate in place.



Base Installation Using Wood Tapping Screws



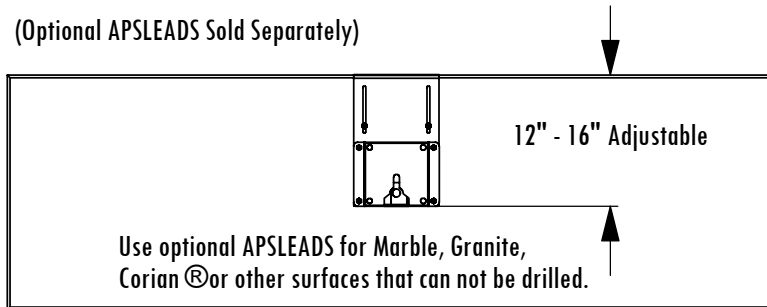
SLE Base Installation

Using the base location determined with the instructions on page 2, drill pilot holes 3/4" deep with a 1/16" bit for each of the tapping screw locations.

attach the SLE Base to the countertop using the provided #10 Wood Tapping Screws.

Base Installation Using Optional APSLEADS Adhesive Adaptor

(Optional APSLEADS Sold Separately)



If the countertop can not be drilled, there is an optional adhesive adapter, APSLEADS, which can be used to screw into the back of the furniture and adhere to the surface of the furniture. This adapter can be adjusted from 12" to the front of the SLE Base to 18" to the front of the SLE Base.

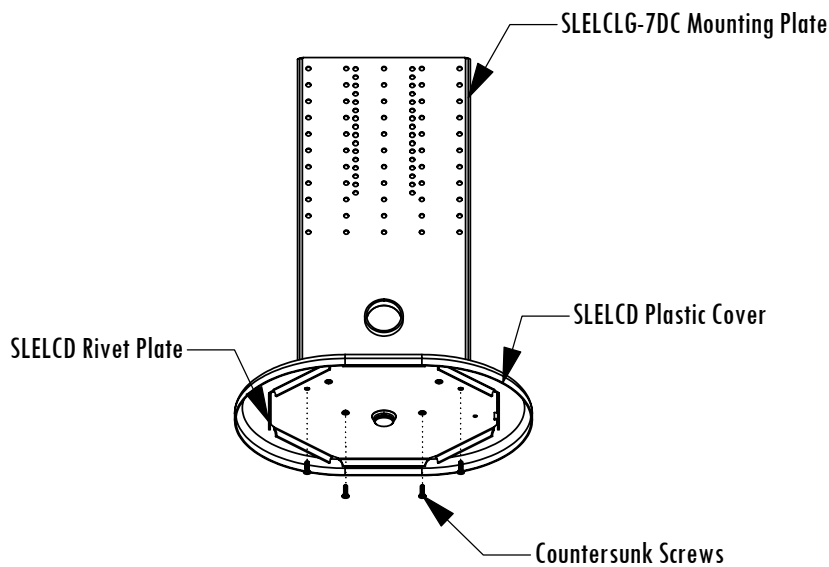
Follow the installation instructions for the APSLEADS to mount the SLELCD Base in the appropriate location.

Mounting Plate Assembly

Assemble the SLELCLG-7DC Mounting Plate with the SLELCD Plastic Cover and SLELCD Rivet Plate as shown. Care should be taken not to scratch the SLELCD Plastic Cover when it is placed between the two metal parts.

Align the three pieces and screw together with four of the six provided #10-24 Countersunk Screws.

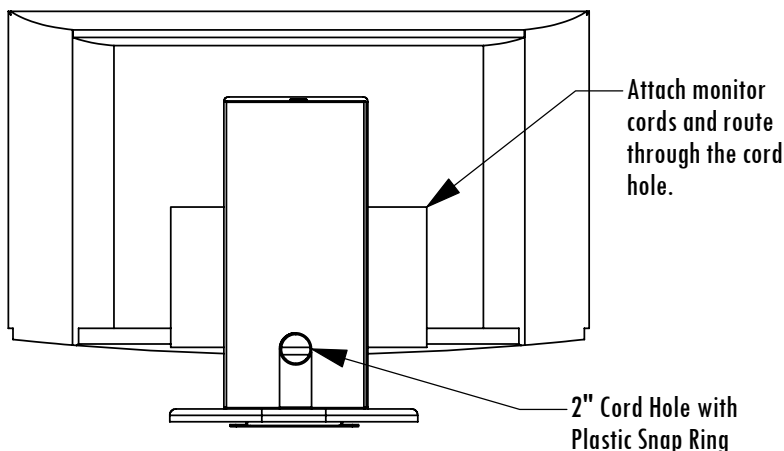
Leave the two holes at the back of the SLELCD Rivet Plate empty until after the monitor is attached.

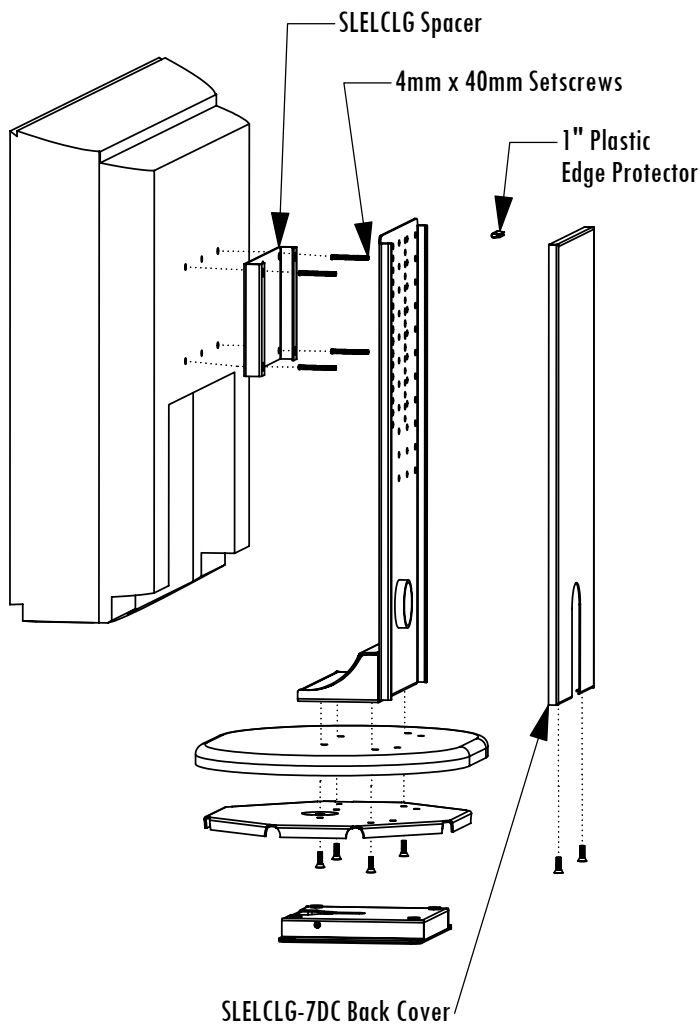


Routing Monitor Cords

The monitor cords can be routed through the 2" center hole with a plastic snap ring or can be routed to the monitor without going through this hole depending upon the type of monitor and individual preference.

Before attaching the monitor to the SLELCD Mounting Plate, connect the monitor cords as instructed in the monitor's user manual.





Monitor Attachment

Screw the 4mm x 40mm Setscrews into the threaded inserts on back of the monitor.

Place the SLELCLG-7DC spacer onto the Setscrews

Attach the SLELCLG-7DC Mounting Plate to the monitor with the 4mm Hex Nuts and 5mm Washers.

Tighten the 4mm Hex Nuts until the monitor is securely fastened to the SLELCLG-7DC Mounting Plate.

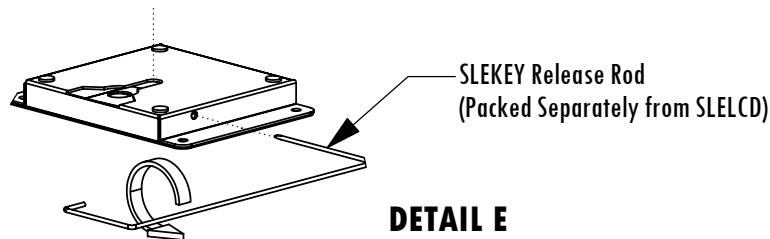
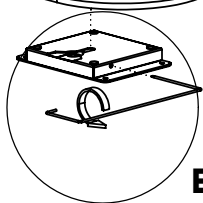
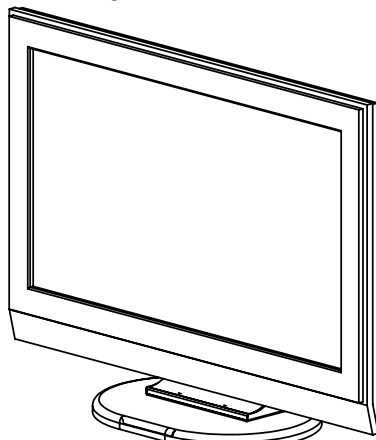
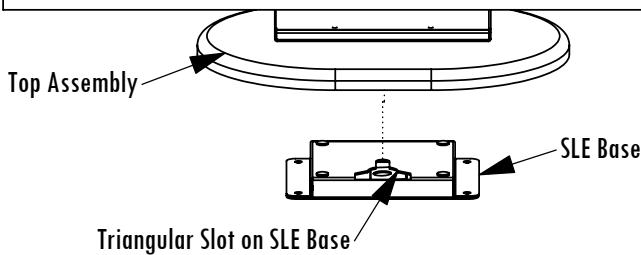
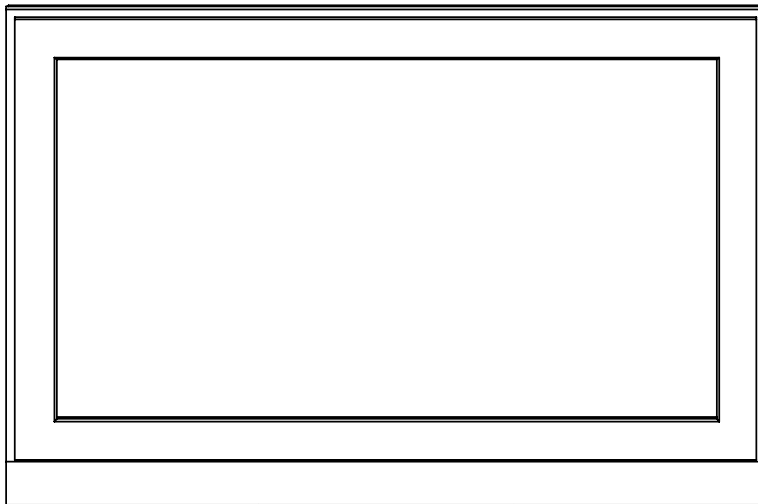
Back Cover Attachment

Check to make sure the monitor is securely attached to the SLELCLG-7DC Mounting Plate

Slide the 1" Plastic Edge Protector onto the center of the top edge of the SLELCLG-7DC Back Cover to dampen any noise from the metal parts that slide together.

Screw the SLELCLG-7DC Back Cover to the SLELCD Rivet Plate using the remaining two Countersunk Screws.

Protected under one or more of these U.S. Patent numbers: 3,291,432; 3,559,942; 3,724,798; DES:270,689; 4,613,109; 4,878,645; 4,852,842; DES:309,5624; 973,023; 5,169,114; 5,255,884; 5,310,159; 5,522,576; 5,621,614; Re:35,677; DES:398,834; 5,826,384; 5,941,492; 5,944,068; 6,060,661; 6,102,398; 6,138,704; 6,454,116; 6,761,276; 6,816,425; 6,816,425; 6,816,425



Monitor to SLE Base Attachment

With the monitor mounted to the Top Assembly, align the rivet on the SLELCD Rivet Plate with the Triangular Slot on the SLE Base. Slide the top half assembly back until there is an audible click and the top half is locked into the SLE Base. Pull forward on the monitor to ensure that the rivet has engaged the SLE Base and the monitor is secure.

Warning: Check to ensure the monitor is locked in place and can not be disengaged from the SLE Base. Leaving the Monitor & Top Assembly loose can result in equipment damage or injury.

Monitor Removal

Insert the SLEKEY Release Rod into hole on side of base until 1.2" remains outside the hole

Rotate the SLEKEY Release Rod counterclockwise until the spring inside the base has been depressed and the monitor can easily slide forward on the base.

Slide the monitor forward and carefully raise the top half assembly with the monitor attached to the SLELCD Rivet Plate.

LIMITED WARRANTY

LUCASEY MANUFACTURING CORPORATION MAKES NO WARRANTY OF ANY KIND, EXPRESS OR IMPLIED except that the goods sold under this agreement shall be free of defects in materials and workmanship for a period of one year from the user's date of purchase. User assumes all risk and liability resulting from the use of the goods, whether used singly or in combination with other goods. Lucasey Manufacturing Corporation neither assumes nor authorizes any person to assume for it any other liability in connection with the sale or use of the goods sold and there are no oral agreements or warranties collateral to or affecting this limited warranty. Lucasey Manufacturing Corporation will repair or replace defective parts or equipment within one year of the date of purchase, at its option, provided the part or equipment is returned pre-paid to Lucasey Manufacturing Corporation's plant. The repaired or replaced part shall be shipped to the user, FOB Lucasey Manufacturing Corporation's plant. NO allowance for outside labor charges are implied within the terms of this limited warranty. Under no circumstances will Lucasey Manufacturing Corporation be responsible for special, indirect or consequential damages. The remedies set forth in this Limited Warranty are exclusive and the liability of Lucasey Manufacturing Corporation with respect to any contract of sale or anything done in connection therewith, whether in contract, in tort, under any warranty or otherwise shall not, except as expressly provided herein, exceed the price of the equipment or part on which such liability is based. Any damage caused by the improper use, operation beyond capacity, substitution of parts or equipment not approved by Lucasey Manufacturing Corporation, improper packaging, failure to observe installation or other instructions, transit, or repair by one other than Lucasey Manufacturing Corporation, will not be covered by and shall void this Limited Warranty.