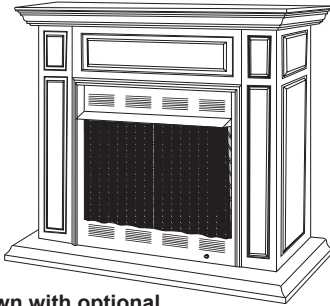


DESA™

HEARTH PRODUCTS

UNVENTED (VENT-FREE) UNIVERSAL FIREBOX SAFETY INFORMATION AND INSTALLATION MANUAL



Shown with optional
cabinet mantel with base.



LGFB32C CIRCULATING LOUVERED MODEL

⚠ WARNING: If the information in this manual is not followed exactly, a fire or explosion may result causing property damage, personal injury or loss of life.

FOR USE ONLY WITH A LISTED GAS-FIRED UNVENTED DECORATIVE ROOM HEATER. NOT TO EXCEED 40,000 BTU/HR. DO NOT BUILD A WOOD FIRE.

Carefully review the instructions supplied with the decorative type unvented room heater for the minimum fireplace size requirement.

DO NOT INSTALL AN APPLIANCE IN THIS FIREBOX UNLESS THIS FIREBOX MEETS THE MINIMUM DIMENSIONS REQUIRED FOR THE INSTALLATION.

This firebox has been tested and approved by CSA under ANSI Z21.91 for use with any ANSI Z21.11.2 approved gas logs.

INSTALLER: Leave this manual with the appliance
CONSUMER: Retain this manual for future reference.

TABLE OF CONTENTS

Safety	2	Installation	7
Local Codes.....	3	Replacement Parts.....	12
Unpacking.....	3	Technical Service.....	12
Product Features	3	Accessories.....	13
Product Specifications.....	4	Parts Central.....	13
Locating Firebox.....	4	Parts	14
Air For Combustion and Ventilation.....	4	Warranty.....	Back Cover

SAFETY

⚠ WARNING: Improper installation, adjustment, alteration, service or maintenance can cause injury or property damage. Refer to this manual for correct installation and operational procedures. For assistance or additional information consult a qualified installer, service agency or the gas supplier.

This appliance may be installed in an aftermarket*, permanently located, manufactured (mobile) home, where not prohibited by local codes.

*Aftermarket: Completion of sale, not for purpose of resale, from the manufacturer.

IMPORTANT: Read this owner's manual carefully and completely before trying to assemble, operate or service this firebox. Improper use of this firebox can cause serious injury or death from burns, fire, explosion, electrical shock or carbon monoxide poisoning.

⚠ WARNING: Any change to this firebox or its controls can be dangerous.

⚠ WARNING: Do not allow fans to blow directly into the firebox. Avoid any drafts that alter burner flame patterns. Ceiling fans can create drafts that alter burner flame patterns. Altered burner patterns can cause sooting.

⚠ WARNING: Do not use a blower insert, hood, heat exchanger insert or other accessory not approved for use with this heater.

Due to high temperatures, the firebox should be located out of traffic and away from furniture and draperies.

Firebox front and screen become very hot when running heater. Keep children and adults away from hot surfaces to avoid burns or clothing ignition. Firebox will remain hot for a time after shutdown. Allow surfaces to cool before touching.

Do not place clothing or other flammable material on or near firebox. Never place any objects on the firebox or logs.

You must operate this fireplace with the provided fireplace screen (closed), hood and brick liner in place. Make sure these parts are in place before running firebox.

Carefully supervise young children when they are in the room with firebox.

SAFETY

Continued

Keep the firebox area clear and free from combustible materials, gasoline and other flammable vapors and liquids.

1. This firebox shall not be installed in a bedroom or bathroom.
2. Never install the firebox
 - in a recreational vehicle
 - where curtains, furniture, clothing or other flammable objects are less than 42" from front, top or sides of firebox
 - in high traffic areas
 - in windy or drafty areas
3. Do not use this firebox as a wood-burning fireplace. Use only decorative unvented room heaters (log sets).
4. Do not add extra logs or ornaments such as pine cones, vermiculite or rock wool. Using these added items can cause sooting.
5. Vent-free gas log heaters installed in these fireboxes require fresh air ventilation to run properly. See *Air for Combustion and Ventilation*, page 4.
6. Do not run firebox
 - where flammable liquids or vapors are used or stored
 - under dusty conditions
7. Do not use this firebox to cook food or burn paper or other objects.
8. Turn firebox off and let cool before servicing. Only a qualified service person should service and repair firebox.
9. Operating vent-free log sets in a firebox above elevations of 4,500 feet could cause pilot outage.
10. Do not use the firebox if it has been under water due to the shock hazard that could result with the blower accessory (if installed) in place.
11. Provide adequate clearances around air openings.

LOCAL CODES

Install and use fireplace with care. Follow all local codes. In the absence of local codes, use the latest edition of *The National Fuel Gas Code ANSI Z223.1/NFPA 54**. Firebox must be electrically grounded in accordance with the *National Electrical Code, ANSI/NFPA70* (latest edition).

*Available from:

American National Standards Institute, Inc.
1430 Broadway, New York, NY 10018
National Fire Protection Association, Inc.
Batterymarch Park, Quincy, MA 02269

State of Massachusetts: The installation must be made by a licensed plumber or gas fitter in the Commonwealth of Massachusetts.

Sellers of unvented propane or natural gas-fired supplemental room heaters shall provide to each purchaser a copy of 527 CMR 30 upon sale of the unit.

Vent-free gas products are prohibited for bedroom and bathroom installation in the Commonwealth of Massachusetts.

UNPACKING

1. With utility knife, cut carton all the way around above staples on bottom tray. Lift carton off firebox. Remove packing.
2. Check carton contents for the following:
 - Screen assembly
 - Screen support rod
 - Hardware and parts bag containing the following:
 - Owner's Manual
 - 2 - Black #10 x 3/8" Phillips screws
3. If any items are missing, inform dealer where you bought the firebox.
4. Check heater for any shipping damage. If heater is damaged call DESA Heating, LLC at 1-866-672-6040 for replacement parts before returning to dealer.

PRODUCT FEATURES

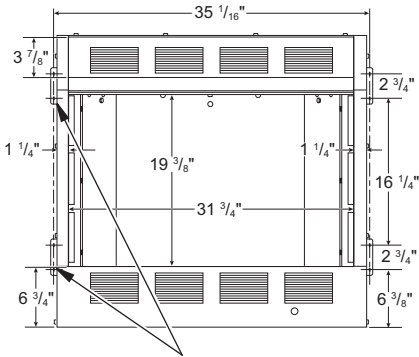
OPERATION

This firebox is designed to accept unvented decorative gas logs. It requires no outside venting or chimney making installation easy and inexpensive. When used without the blower the firebox requires no electricity making it ideal for emergency backup heat.

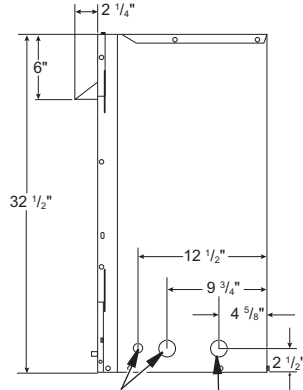
BLOWER ACCESSORY

The LGFB32C firebox will accept the GA3750A accessory. The variable blower allows you to select the fan speed you desire. The blower circulates heated air from the firebox into the room. Use of blower is optional.

PRODUCT SPECIFICATIONS



Built-in Nailing Flanges
Figure 1 - Firebox Front View



Electrical Access Hole Gas Line Access
Figure 2 - Firebox Side View

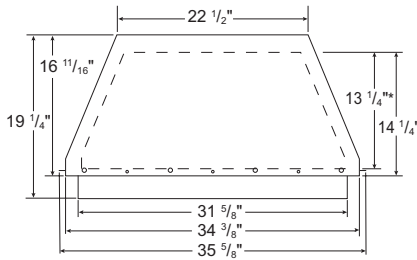


Figure 3 - Firebox Top View

*Note: 14 1/4" is total firebox cavity depth including brick liner. 13 1/4" is depth of flat floor including brick liner.

LOCATING FIREBOX

Plan where you will install the firebox. This will save time and money later when you install the firebox. Before installation, consider the following:

1. Where the firebox will be located. Allow for wall and ceiling clearances (see Installation Clearances, page 7).

2. Everything needed to complete installation.
3. This model CANNOT be installed in a bedroom or bathroom.
4. Proper air for combustion and ventilation (see Air For Combustion and Ventilation).

AIR FOR COMBUSTION AND VENTILATION

⚠ WARNING: This heater shall not be installed in a room or space unless the required volume of indoor combustion air is provided by the method described in the National Fuel Gas Code, ANSI Z223.1/NFPA 54, the International Fuel Gas Code, or applicable local codes. Read the following instructions to insure proper fresh air for this and other fuel-burning appliances in your home.

Today's homes are built more energy efficient than ever. New materials, increased insulation and new construction methods help reduce heat loss in homes. Home owners weather strip and caulk around windows and doors to keep the cold air out and the warm air in. During heating months, home owners want their homes as airtight as possible.

While it is good to make your home energy efficient, your home needs to breathe. Fresh air must enter your home. All fuel-burning appliances need fresh air for proper combustion and ventilation.

Exhaust fans, fireboxes, clothes dryers and fuel burning appliances draw air from the house to

AIR FOR COMBUSTION AND VENTILATION

Continued

operate. You must provide adequate fresh air for these appliances. This will insure proper venting of vented fuel-burning appliances.

PROVIDING ADEQUATE VENTILATION

The following are excerpts from *National Fuel Gas Code ANSI Z223.1/NFPA 54, Air for Combustion and Ventilation*.

All spaces in homes fall into one of the three following ventilation classifications:

1. Unusually Tight Construction
2. Unconfined Space
3. Confined Space

The information on pages 4 through 6 will help you classify your space and provide adequate ventilation.

Unusually Tight Construction

The air that leaks around doors and windows may provide enough fresh air for combustion and ventilation. However, in buildings of unusually tight construction, you must provide additional fresh air.

Unusually tight construction is defined as construction where:

- a. walls and ceilings exposed to the outside atmosphere have a continuous water vapor retarder with a rating of one perm (6×10^{-11} kg per pa-sec- m^2) or less with openings gasketed or sealed and
- b. weather stripping has been added on openable windows and doors and
- c. caulking or sealants are applied to areas such as joints around window and door frames, between sole plates and floors, between wall-ceiling joints, between wall panels, at penetrations for plumbing, electrical and gas lines and at other openings.

If your home meets all of the three criteria above, you must provide additional fresh air. See Ventilation Air From Outdoors, page 6. If your home does not meet all of the three criteria above, proceed to Determining Fresh-Air Flow For Firebox Location.

Confined Space and Unconfined Space

The *National Fuel Gas Code ANSI Z223.1/NFPA 54* defines a confined space as a space whose volume is less than 50 cubic feet per 1,000 Btu/hr (4.8 m^3 per kw) of the aggregate input rating of all appliances installed in that

space and an unconfined space as a space whose volume is not less than 50 cubic feet per 1,000 Btu/hr (4.8 m^3 per kw) of the aggregate input rating of all appliances installed in that space. Rooms communicating directly with the space in which the appliances are installed*, through openings not furnished with doors, are considered a part of the unconfined space.

* Adjoining rooms are communicating only if there are doorless passageways or ventilation grills between them.

DETERMINING FRESH-AIR FLOW FOR HEATER LOCATION

Determining if You Have a Confined or Unconfined Space

Use this work sheet to determine if you have a confined or unconfined space.

Space: Includes the room in which you will install heater plus any adjoining rooms with doorless passageways or ventilation grills between the rooms.

1. Determine the volume of the space (length x width x height).

Length x Width x Height = _____ cu. ft. (volume of space)

Example: Space size 20 ft. (length) x 16 ft. (width) x 8 ft. (ceiling height) = 2560 cu. ft. (volume of space)

If additional ventilation to adjoining room is supplied with grills or openings, add the volume of these rooms to the total volume of the space.

2. Multiply the space volume by 20 to determine the maximum Btu/Hr the space can support.

_____ (volume of space) x 20 = (Maximum Btu/Hr the space can support)

Example: 2560 cu. ft. (volume of space) x 20 = 51,200 (maximum Btu/Hr the space can support)

3. Add the Btu/Hr of all fuel burning appliances in the space.

Vent-free heater	_____ Btu/Hr
Gas water heater*	_____ Btu/Hr
Gas furnace	_____ Btu/Hr
Vented gas heater	_____ Btu/Hr
Gas fireplace logs	_____ Btu/Hr
Other gas appliances*+	_____ Btu/Hr
Total	= _____ Btu/Hr

* Do not include direct-vent gas appliances. Direct-vent draws combustion air from the outdoors and vents to the outdoors.

AIR FOR COMBUSTION AND VENTILATION

Continued

Example:

Gas water heater	40,000	Btu/Hr
Vent-free fireplace	+ 39,000	Btu/Hr
Total	= 79,000	Btu/Hr

4. Compare the maximum Btu/Hr the space can support with the actual amount of Btu/Hr used.
- _____ Btu/Hr (maximum the space can support)

_____ Btu/Hr (actual amount used)

Example: 51,200 Btu/Hr (maximum the space can support)

79,000 Btu/Hr (actual amount of Btu/Hr used)

The space in the above example is a confined space because the actual Btu/Hr used is more than the maximum Btu/Hr the space can support. You must provide additional fresh air. Your options are as follows:

- Rework worksheet, adding the space of an adjoining room. If the extra space provides an unconfined space, remove door to adjoining room or add ventilation grills between rooms. See *Ventilation Air From Inside Building*.
- Vent room directly to the outdoors. See *Ventilation Air From Outdoors*.
- Install a lower Btu/Hr heater, if lower Btu/Hr size makes room unconfined.

If the actual Btu/Hr used is less than the maximum Btu/Hr the space can support, the space is an unconfined space. You will need no additional fresh air ventilation.

⚠ WARNING: If the area in which the heater may be operated does not meet the required volume for indoor combustion air, combustion and ventilation air shall be provided by one of the methods described in the *National Fuel Gas Code, ANSI Z223.1/NFPA 54*, the *International Fuel Gas Code*, or applicable local codes.

VENTILATION AIR

Ventilation Air From Inside Building

This fresh air would come from an adjoining unconfined space. When ventilating to an adjoining unconfined space, you must provide two permanent openings: one within 12" of the

ceiling and one within 12" of the floor on the wall connecting the two spaces (see options 1 and 2, Figure 4). You can also remove door into adjoining room (see option 3, Figure 4). Follow the *National Fuel Gas Code ANSI Z223.1/NFPA 54, Air for Combustion and Ventilation* for required size of ventilation grills or ducts.

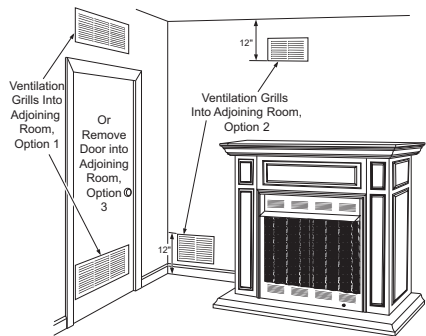


Figure 4 - Ventilation Air from Inside Building

Ventilation Air From Outdoors

Provide extra fresh air by using ventilation grills or ducts. You must provide two permanent openings: one within 12" of the ceiling and one within 12" of the floor. Connect these items directly to the outdoors or spaces open to the outdoors. These spaces include attics and crawl spaces. Follow the *National Fuel Gas Code ANSI Z223.1/NFPA 54, Air for Combustion and Ventilation* for required size of ventilation grills or ducts.

IMPORTANT: Do not provide openings for inlet or outlet air into attic if attic has a thermostat-controlled power vent. Heated air entering the attic will activate the power vent.

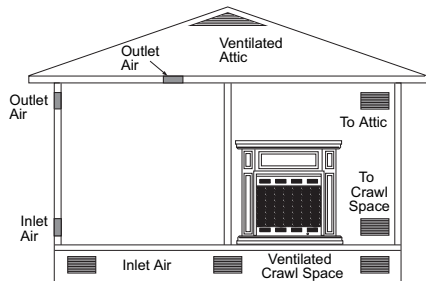


Figure 5 - Ventilation Air from Outdoors

INSTALLATION

NOTICE: This heater is intended for use as supplemental heat. Use this heater along with your primary heating system. Do not install this heater as your primary heat source. If you have a central heating system, you may run system's circulating blower while using heater. This will help circulate the heat throughout the house. In the event of a power outage, you can use this heater as your primary heat source.

WARNING: A qualified service person must install firebox. Follow all local codes.

WARNING: Never install the firebox

- in a bedroom or bathroom
- in a recreational vehicle
- where curtains, furniture, clothing or other flammable objects are less than 42" from the front, top or sides of the firebox
- in high traffic areas

IMPORTANT: Vent-free gas log heaters add moisture to the air. Although this is beneficial, installing firebox in rooms without enough ventilation air may cause mildew to form from too much moisture. See *Air for Combustion and Ventilation*, page 4.

IMPORTANT: Make sure the firebox is level. If firebox is not level, log set will not work properly.

Note: Your firebox is designed to be used in zero clearance installations. Wall or framing material can be placed directly against any exterior surface on the rear, sides or top of your firebox, except where standoff spacers

are integrally attached. If standoff spacers are attached to your firebox, these spacers can be placed directly against wall or framing materials.

Use the dimensions shown for rough openings to create the easiest installation (see *Built-In Firebox Installation*, page 10).

INSTALLATION CLEARANCES

WARNING: Maintain the minimum clearances. If you can, provide greater clearances from floor, ceiling and adjoining wall.

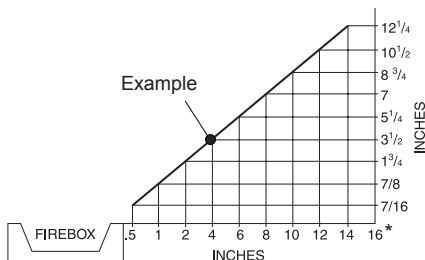
Carefully follow the instructions below. This will ensure safe installation.

Minimum Clearances For Side Combustible Material, Side Wall and Ceiling

A. Clearances from side of fireplace cabinet to any combustible material and wall should follow diagram in Figure 6.

Example: The face of a mantel, bookshelf, etc. is made of combustible material and protrudes 3 1/2" from the wall. This combustible material must be 4" from side of fireplace opening (see Figure 6).

B. Clearances from top of fireplace opening to ceiling should not be less than 42".



*Minimum 16" from Side Wall

Figure 6 - Minimum Clearance for Combustible to Wall

INSTALLATION

Continued

Mantel Clearances for Built-In Installation

If placing custom mantel above built-in firebox, you must meet the minimum allowable clearance between mantel shelf and top of firebox opening shown in Figure 7. These are the minimum allowable mantel clearances for a safe installation. Use larger clearances wherever possible to minimize the heating of objects and materials placed on the mantel.

CAUTION: Close screens before operation of vent-free gas log heater. Do not allow the heater to touch or extend beyond the fireplace screen.

If your installation does not meet the minimum clearances in Figure 7, you must:

- raise mantel to an acceptable height,
- OR
- remove mantel.

Note:

All vertical measurements are from top of fireplace opening to bottom of mantel shelf. All measurements are in inches.

Facing material (above firebox) may be of combustible material, including decorative mantel ornaments.

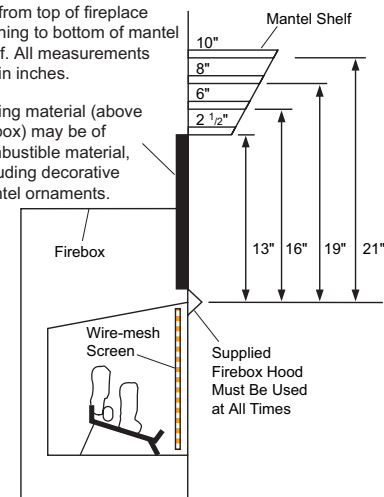


Figure 7 - Minimum Mantel Clearances for Built-In Installation

INSTALLING BLOWER ACCESSORY

You may install blower accessory GA3750A with conventional installation (below) or with built-in installation (see *Built-In Installation of Blower Accessory*). To install blower accessory, see instruction sheet included with the kit.

Conventional Installation of Blower Accessory

1. Install blower assembly per instruction sheet included in blower accessory kit.
2. Before replacing bottom of firebox, route blower power cord through hole in support bracket in bottom of firebox and through hole in side of firebox to grounded, three-prong 120 volt electrical outlet (see Figure 8). Plug electrical cord into outlet.
3. Replace bottom of firebox.

NOTICE: A certified electrician must connect electrical wiring to duplex outlet for built-in installation. Follow all local codes. In absence of local codes, follow the *National Electrical Code, ANSI/NFPA 70 (Latest Edition)*.

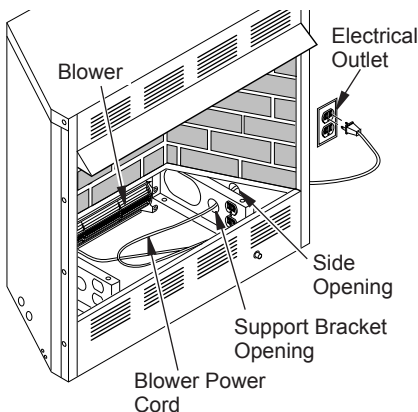


Figure 8 - Routing Blower Accessory Power Cord for Conventional Installation

Built-In Installation of Blower Accessory

1. Install blower assembly per instruction sheet included.
2. Before replacing bottom of firebox, remove screw holding duplex outlet to support bracket in bottom of firebox. Remove duplex outlet.
3. Clamp electrical cable into firebox through smallest hole using strain relief provided.
4. Route wires from electrical box through hole in side of heater and hole in support bracket (see Figure 9, page 9).

INSTALLATION

Continued

5. Connect wires from the electrical box to duplex outlet. Match wire colors to those indicated on duplex outlet. Be sure to connect ground wire.
6. Replace duplex outlet with screw.
7. Plug blower power cord into duplex outlet.
8. Replace bottom of firebox.
2. Lift and remove firebox bottom (see Figure 10).
3. If installing GA3750A blower accessory, see *Installing Blower Accessory*, page 8.
4. Route flexible gas line from equipment shutoff valve into firebox through side.

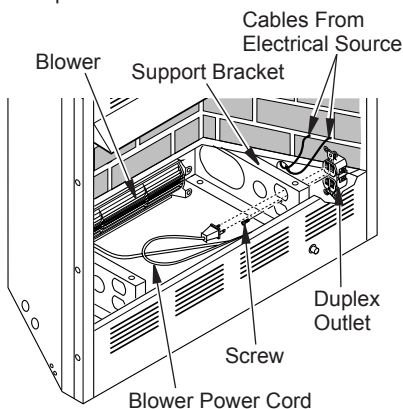


Figure 9 - Routing Blower Accessory Power Cord for Built-In Installation

Operating Blower

Light your gas appliance with the blower off. After about 15 minutes, turn the blower on to deliver heated air at the top louvers. The blower features a variable control which allows you to select the speed you desire.

Note: Periodically check the louvers of the firebox and remove any dust, dirt or other obstructions.

INSTALLING LOG HEATER IN FIREBOX

CAUTION: Do not pick up log base assembly by burners. This could damage burners. Only handle base by grates.

CAUTION: Do not remove the data plates attached to the heater base assembly. The data plates contain important warranty and safety information.

1. Remove 4 screws holding firebox bottom in place.

NOTICE: Most building codes do not permit concealed gas connections. A flexible gas line is recommended to allow accessibility from the firebox. The flexible gas supply line connection to the equipment shutoff valve should be accessible.

5. Attach gas log heater base to firebox bottom with four screws included with base (see *Installing Heater Base Assembly* in log set owner's manual).
6. Replace firebox bottom and secure with screws.

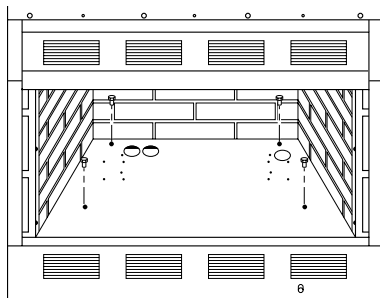


Figure 10 - Removing Firebox Bottom

INSTALLING FIREPLACE HOOD

NOTICE: The firebox canopy (hood) must not be modified or replaced with a canopy (hood) that may be provided with the unvented decorative room heater.

1. Attach three zinc-colored shoulder screws to back of hood.
2. Insert hood into hood-mounting slots on firebox.
3. Hold hood in place. Insert two black Phillips screws through bottom of hood and tighten. See Figure 11, page 10.

INSTALLATION

Continued

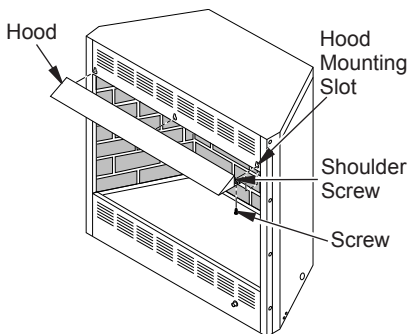


Figure 11 - Installing Fireplace Hood

INSTALLING FIREPLACE SCREEN

1. Insert each rod through nine rings located at top of screen (see Figure 12).
2. Insert first rod into rear hole in left side of firebox. Fasten rod to rear hole near center of firebox using black shoulder screw.
3. Insert other rod into front hole on right side of firebox and fasten using remaining shoulder screw.

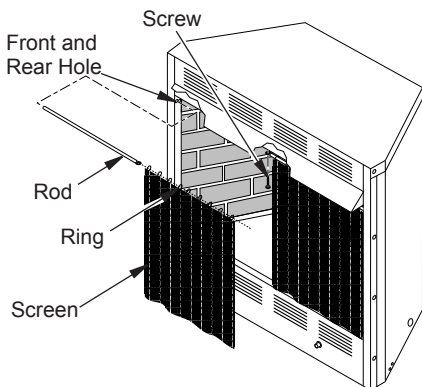


Figure 12 - Installing Fireplace Screen

FIREBOX INSTALLATION USING OPTIONAL ACCESSORY MANTELS

This firebox may be installed using the corner or cabinet mantel with hearth base against a wall in your home. A perimeter trim kit is included with the mantel accessories (see [Accessories](#), page 13).

BUILT-IN FIREBOX INSTALLATION

Built-in installation of this firebox involves installing firebox into a framed-in enclosure. This makes the front of firebox flush with wall. Optional perimeter trim is available (see [Accessories](#), page 13) This perimeter trim will extend past sides of firebox approximately 1/2". This will cover rough edges of the wall opening. If installing a mantel above the firebox, you must follow the clearances shown in Figure 7, page 8. Follow the instructions below to install the firebox in this manner.

1. Frame in rough opening. Use dimensions shown in Figure 13 for the rough opening. If installing in a corner, use dimensions shown in Figure 14 for the rough opening. The height is 33", which is the same as the wall opening in Figure 13.
2. Install gas piping to firebox location. This installation includes an approved flexible gas line (if allowed by local codes) after the equipment shutoff valve. The flexible gas line must be the last item installed on the gas piping. See [Connecting to Gas Supply](#) in log set owner's manual.
3. Carefully set firebox in front of rough opening with back of firebox inside wall opening. **IMPORTANT:** If installing perimeter trim, see instructions included with perimeter trim accessory. You must install shoulder screws now.

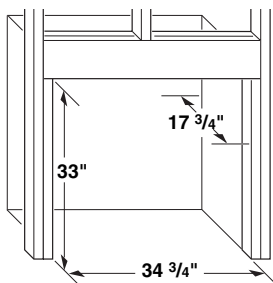


Figure 13 - Rough Opening for Installing in Wall

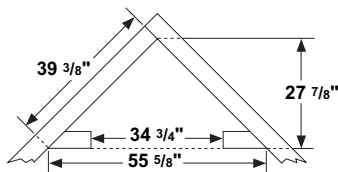


Figure 14 - Rough Opening for Installing in Corner

INSTALLATION

Continued

4. If using GA3750A blower accessory, see [Built-In Installation of Blower Accessory](#), page 8.
5. Attach flexible gas line to log set. See [Connecting to Gas Supply](#) in log set owner's manual.
6. Carefully insert firebox into rough opening.
7. Attach firebox to wall studs using nails or wood screws through holes in nailing flange (see Figure 15).
8. Check all gas connections for leaks. See [Checking Gas Connections](#) in log set owner's manual.
9. If using optional perimeter trim, install the trim after final finishing and/or painting of wall. See instructions included with perimeter trim accessory for attaching perimeter trim or see.

IMPORTANT: When finishing your firebox, combustible materials such as wall board, gypsum board, sheet rock, drywall, plywood, etc. may be butted up next to the sides and top of the firebox. Combustible materials should never overlap the firebox front facing.

WARNING: Do not allow any combustible materials to overlap the firebox front facing.

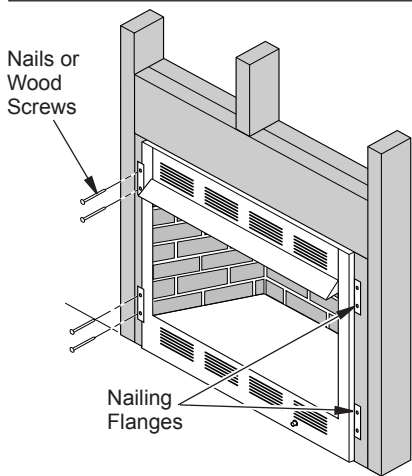


Figure 15 - Attaching Firebox to Wall Studs

	Actual	Framing
Height	32 1/2"	33"
Front Width	34 5/16"	34 3/4"
Depth	16 11/16"	17 3/4"

IMPORTANT: Noncombustible materials such as brick, tile, etc. may overlap the front facing, but should never cover any necessary openings like louvered slots.

WARNING: Do not allow noncombustible materials to cover any necessary openings like louvered slots.

WARNING: Use only noncombustible mortar or adhesives when overlapping the front facing with noncombustible facing material.

ASSEMBLING AND INSTALLING TRIM

1. Remove packaging from 3 pieces of trim.
2. Locate 2 adjusting plates with set screws and 2 shims in hardware packet.
3. Align shim under adjusting plate as shown in Figure 16.
4. Slide one end of adjusting plate/shim in slot on mitered edge of top trim (see Figure 16).
5. Slide other end of adjusting plate/shim in slot on mitered edge of side trim (see Figure 16).
6. While firmly holding edges of trim together, tighten both set screws on adjusting plate with slotted screwdriver.
7. Repeat steps 2 through 6 on other corner.
8. Tighten trim hanging screws (#10 x 6.25 shoulder) into holes in cabinets. Place the assembled trim onto fireplace cabinet. Align hanging notches on trim with hanging screws on side of fireplace (see Figure 17, page 12). Push trim firmly into place, sliding hanging notches over hanging screws.

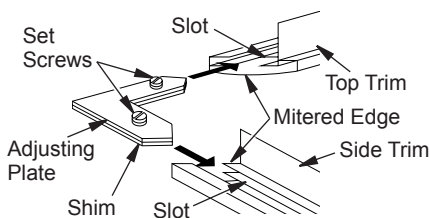


Figure 16 - Assembling Trim

INSTALLATION

Continued

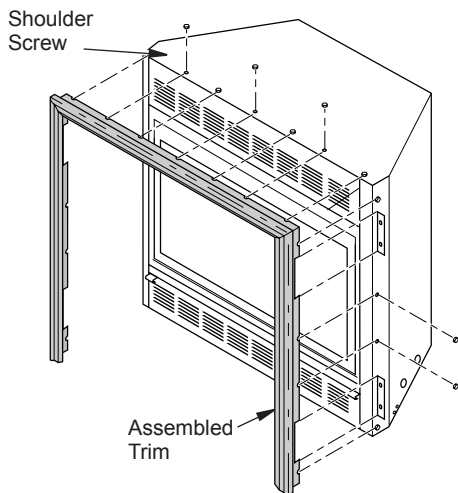


Figure 17 - Attaching Trim to Fireplace

REPLACEMENT PARTS

Note: Use only original replacement parts. This will protect your warranty coverage for parts replaced under warranty.

PARTS UNDER WARRANTY

Contact authorized dealers of this product. If they can't supply original replacement part(s), call DESA Heating, LLC at 1-866-672-6040. When calling DESA Heating, LLC, have ready:

- your name
- your address
- model and serial numbers of your heater
- how heater was malfunctioning
- purchase date

Usually, we will ask you to return the part to the factory.

PARTS NOT UNDER WARRANTY

Contact authorized dealers of this product. If they can't supply original replacement part(s), either contact your nearest *Parts Central* (see page 13) or call DESA Heating, LLC at 1-866-672-6040 for referral information. A list of authorized dealers can be found by visiting www.desatech.com.

When calling DESA Heating, LLC, have ready:

- model and serial numbers of your heater
- the replacement part number

TECHNICAL SERVICE

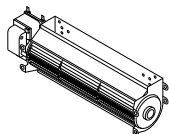
You may have further questions about installation, operation, or troubleshooting. If so, contact DESA Heating, LLC at 1-866-672-6040. When calling please have your model and serial numbers of your heater ready.

You can also visit DESA Heating, LLC's web site at www.desatech.com.

ACCESSORIES

NOTICE: All accessories may not be available for all fireplace models.

Purchase these accessories from your local dealer. If they can not supply these accessories, either contact your nearest Parts Central or call DESA Heating, LLC at 1-866-672-6040 for information. You can also write to the address listed on the back page of this manual.



BLOWER ACCESSORY GA3750A

The variable blower allows you to select the desired speed. The blower circulates heated air from the fireplace into the room.

CORNER CABINET MANTEL WITH BASE AND PERIMETER TRIM

C32AU - Unfinished, Traditional Design
C32AOS - Light Oak Finish, Traditional Design
C32HS - Dark Oak Finish, Classic Design
Ideal for space saving installations.

WALL CABINET MANTEL AND BASE ACCESSORY WITH FIREPLACE PERIMETER TRIM

W32AU - Unfinished, Traditional Design
W32AOS - Light Oak Finish, Traditional Design
CMA311W - Painted White, Traditional Design with Dentil Molding
CMA306FA - Light Oak Finish, Traditional Design with Dentil Molding
CMA312FB - Dark Oak Finish, Classic Design
W32KCSA - Cherry Finish, Neo-Classical Design
W32KPA - Painted White, Neo-Classical Design
CMA305UA - Unfinished, Georgian Design with Columns
GMC90FA - Light Oak Finish, Georgian Design with Columns
W32DS - Dark Oak Finish, Keystone Design
W32GOSA - Dark Oak Finish, Mission Design

REFRACTORY BRICK LINERS

HFL300 - Aged Almond Standard Brick
HFL310 - Aged Almond Herringbone Brick
HFL311 - Aged Red Herringbone Brick

PARTS CENTRAL

These Parts Centrals are privately owned businesses. They have agreed to support our customer's needs by providing original replacement parts and accessories.

Those Heater Guys

255 E. Stowell Street
Upland, CA 91786
909-928-3011

Tool & Equipment, Co.

5 Manila Ave
Hamden, CT 06514
1-800-397-7553
203-248-7553

Portable Heater Parts

342 N. County Rd. 400 East
Valparaiso, IN 46383
All States
219-462-7441
1-888-619-7060
sales@portableheaterparts.com
techservice@portableheaterparts.com

FBD

1349 Adams Street
Bowling Green, KY 42103
270-846-1199
1-800-654-8534
Fax: 1-800-846-0090
franktalk@aol.com

Master Parts Dist.

1251 Mound Ave. NW
Grand Rapids, MI 49504
616-791-0505
1-800-446-1446
Fax: 616-791-8270
www.nbmc.com

Washer Equipment Co.

1715 Main Street
Kansas City, MO 64108
KS, MO, AR
816-842-3911
www.washerparts.com

East Coast Energy Products

10 East Route 36
W. Long Branch, NJ 07764
732-870-8809
1-800-755-8809
www.njplaza.com/ecep

21st Century

2950 Fretz Valley Road
Perkasie, PA 18944
215-795-0400
800-325-4828

Laporte's Parts & Service

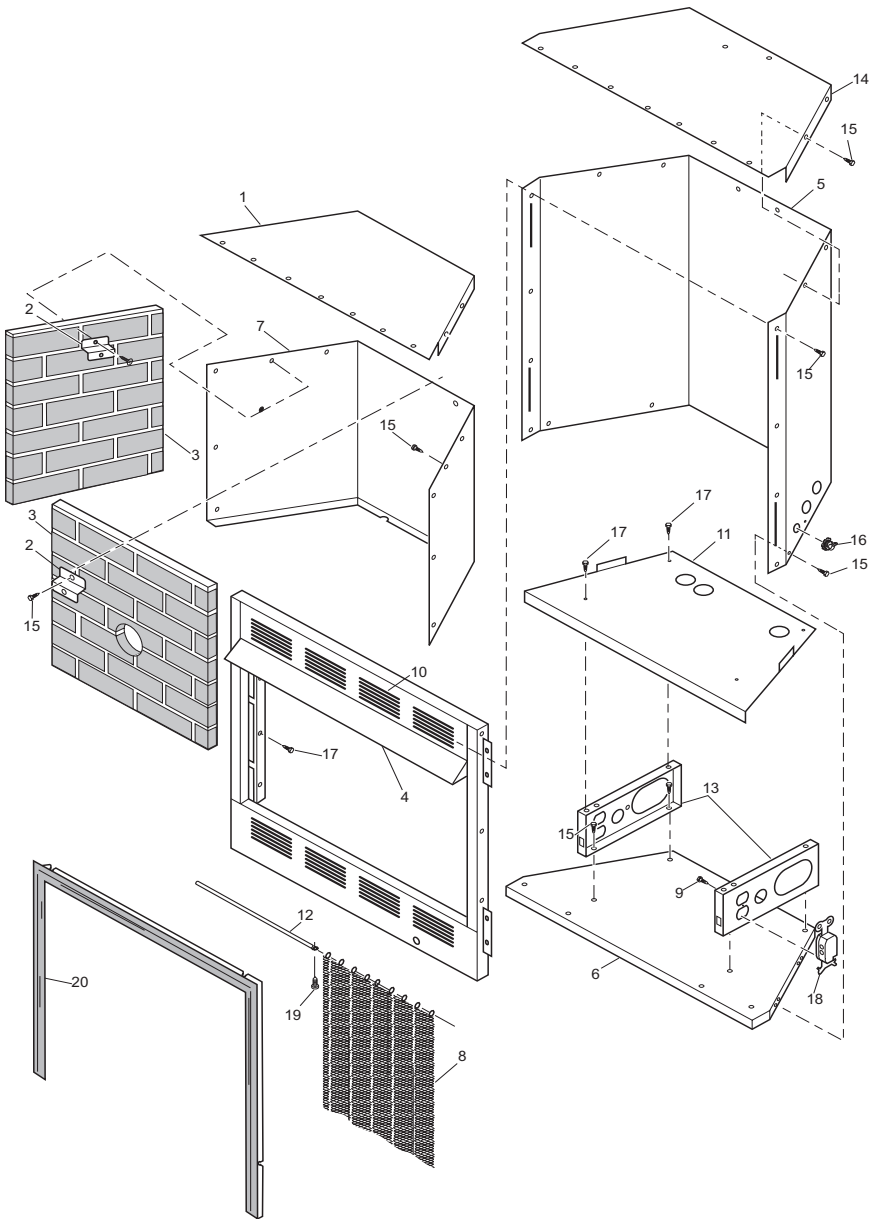
2444 N. 5th Street
Hartsville, SC 29550
843-332-0191
Parts Department

Cans Unlimited, Inc.

P.O. Box 645
Taylor, SC 29687-0013
All States
803-879-3009
1-800-845-5301
cuisales@aol.com

PARTS

MODEL LGFB32C



PARTS

MODEL LGFB32C

This list contains replaceable parts used in your firebox. When ordering parts, follow the instructions listed under Replacement Parts on page 12 of this manual.

KEY NO.	PART NO.	DESCRIPTION	QTY.
1	101872-03	Firebox Top	1
2	101889-01	Firebrick Retainer	3
3	117538-02	Firebrick	1
4	119521-03BR	Hood	1
5	103207-01	Outer Casing	1
6	**	Outer Shell Base	1
7	**	Firebox Wrapper	1
8	103297-01	Assembly Screen	2
9	M12461-2	Screw, Outlet Mounting	1
10	103773-05	Front Assembly	1
11	**	Firebox Bottom	1
12	103809-01	Screen Rod	2
13	**	Firebox Support	2
14	101357-03	Outer Casing Top	1
15	M11084-26	Hex Head Screw, #10-16	49
16	103771-01	Strain Relief Fitting	1
17	098304-01	Phillips Pan Head Screw, #10	13
18	GA3555	Duplex Outlet	1
19	099230-02	Shoulder Screw	2
20	PT32	Firebox Trim Kit	1

** Not a field replaceable part.

WARRANTY

KEEP THIS WARRANTY

Model (located on product or identification tag) _____

Serial No. (located on product or identification tag) _____

Date Purchased _____

Keep receipt for warranty verification.

DESA HEATING, LLC LIMITED WARRANTIES

New Products

Standard Warranty: DESA Heating, LLC warrants this new product and any parts thereof to be free from defects in material and workmanship for a period of one (1) year from the date of first purchase from an authorized dealer provided the product has been installed, maintained and operated in accordance with DESA Heating, LLC's warnings and instructions.

For products purchased for commercial, industrial or rental usage, this warranty is limited to 90 days from the date of first purchase.

Factory Reconditioned Products

Limited Warranty: DESA Heating, LLC warrants factory reconditioned products and any parts thereof to be free from defects in material and workmanship for 30 days from the date of first purchase from an authorized dealer provided the product has been installed, maintained and operated in accordance with DESA Heating, LLC's warnings and instructions.

Terms Common to All Warranties

The following terms apply to all of the above warranties:

Always specify model number and serial number when contacting the manufacturer. To make a claim under this warranty the bill of sale or other proof of purchase must be presented.

This warranty is extended only to the original retail purchaser when purchased from an authorized dealer, and only when installed by a qualified installer in accordance with all local codes and instructions furnished with this product.

This warranty covers the cost of part(s) required to restore this product to proper operating condition and an allowance for labor when provided by a DESA Heating, LLC Authorized Service Center or a provider approved by DESA Heating, LLC. Warranty parts must be obtained through authorized dealers of this product and/or DESA Heating, LLC who will provide original factory replacement parts. Failure to use original factory replacement parts voids this warranty.

Travel, handling, transportation, diagnostic, material, labor and incidental costs associated with warranty repairs, unless expressly covered by this warranty, are not reimbursable under this warranty and are the responsibility of the owner.

Excluded from this warranty are products or parts that fail or become damaged due to misuse, accidents, improper installation, lack of proper maintenance, tampering, or alteration(s).

This is DESA Heating, LLC's exclusive warranty, and to the full extent allowed by law; this express warranty excludes any and all other warranties, express or implied, written or verbal and limits the duration of any and all implied warranties, including warranties of merchantability and fitness for a particular purpose to one (1) year on new products and 30 days on factory reconditioned products from the date of first purchase. DESA Heating, LLC makes no other warranties regarding this product.

DESA Heating, LLC's liability is limited to the purchase price of the product, and DESA Heating, LLC shall not be liable for any other damages whatsoever under any circumstances including indirect, incidental, or consequential damages.

Some states do not allow limitations on how long an implied warranty lasts or the exclusion or limitation of incidental or consequential damages, so the above limitation or exclusion may not apply to you.

This warranty gives you specific legal rights, and you may also have other rights which vary from state to state.

For information about this warranty contact:



DESA Heating, LLC
2701 Industrial Drive
Bowling Green, KY 42101
www.desatech.com
1-866-672-6040

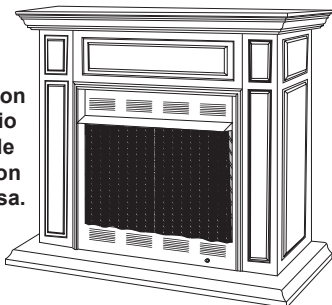
119505-01
Rev. E
09/08

DESA™

HEARTH PRODUCTS

CALEFACTOR UNIVERSAL NO VENTILADO (SIN VENTILACIÓN) INFORMACIÓN DE SEGURIDAD Y MANUAL DE INSTALACIÓN

Modelo
mostrado con
el accesorio
opcional de
gabinete con
base y repisa.



We recommend that our products be installed and serviced by professionals who are certified in the U.S. by NFI (National Fireplace Institute).

www.nficertified.org

LGFB32C

MODELO CON VENTILAS DE CIRCULACIÓN

⚠ ADVERTENCIA: si la información contenida en este manual no se sigue al pie de la letra, se puede producir un incendio o una explosión que podría ocasionar daños a la propiedad, lesiones personales o la pérdida de la vida.

PARA USO ÚNICAMENTE CON UN CALENTADOR DE INTERIORES A BASE DE GAS, DECORATIVO, NO VENTILADO, INCLUIDO EN LA LISTA. NO EXCEDA LOS 40,000 BTU/H. NO UTILICE MADERA COMÚN PARA CREAR EL FUEGO.

Revise cuidadosamente las instrucciones proporcionadas con el calentador de interiores, decorativo, no ventilado para conocer los requerimientos mínimos del tamaño de la chimenea.

NO INSTALE NINGÚN APARATO EN ESTE CALEFACTOR A MENOS QUE ÉSTE CUMPLA CON LAS DIMENSIONES MÍNIMAS REQUERIDAS PARA LA INSTALACIÓN.

Este calefactor ha sido probado y aprobado por Omni Test Laboratories conforme a la ANSI Z21.91 para uso con leños a gas aprobados por la ANSI Z21.11.2.

INSTALADOR: Deje este manual con el aparato.
CONSUMIDOR: Conserve este manual para referencias futuras.

TABLE OF CONTENTS

Seguridad	2	Instalación	8
Códigos locales	3	Piezas de repuesto	14
Desempaque	4	Servicio técnico	14
Características del producto	4	Accesorios	15
Especificaciones del producto	4	Piezas	16
Ubicación del calefactor	5	Central de piezas	18
Aire para combustión y ventilación	5	Garantía	Contraportada

SEGURIDAD

⚠ ADVERTENCIA: la instalación, ajuste, alteración, servicio o mantenimiento inadecuados pueden provocar lesiones o daños a la propiedad. Consulte este manual para conocer los procedimientos de instalación y operación correctos. Para obtener asistencia o información adicionales consulte a un instalador capacitado, agencia de servicio o al proveedor de gas.

Este aparato puede ser instalado en una casa móvil con ubicación permanente y adquirida en el mercado de posventa*, siempre que no esté prohibido por los códigos locales.

* Mercado de posventa: venta completada por parte del fabricante, sin fines de reventa.

IMPORTANTE: lea este manual del propietario cuidadosa y completamente antes de intentar ensamblar, operar o dar servicio a este calefactor. El uso inadecuado de este calefactor puede causar lesiones graves o la muerte por quemaduras, incendio, explosión, electrocución e intoxicación con monóxido de carbono.

⚠ ADVERTENCIA: cualquier cambio a este calefactor o a los controles puede ser peligroso.

⚠ ADVERTENCIA: no permita que los ventiladores soplen directamente hacia el calefactor. Evite corrientes de aire que alteren los patrones de las llamas del quemador. Los ventiladores de techo pueden crear corrientes de aire que alteren los patrones de la llama del quemador. La alteración de patrones del quemador puede causar hollín.

⚠ ADVERTENCIA: no utilice ningún aditamento de ventilador, cubierta o de intercambio de calor, ni ningún otro accesorio que no esté aprobado para usarse con este calentador.

Debido a la alta temperatura que genera el calefactor, éste debe colocarse fuera de las rutas de paso y alejado de muebles y cortinas.

La parte anterior y la rejilla del calefactor se calientan extremadamente cuando el calefactor está en funcionamiento. Mantenga a niños y adultos alejados de las superficies calientes para evitar quemaduras o que la ropa se incendie. El calefactor permanecerá caliente durante algún tiempo después de que se haya apagado. Deje que las superficies se enfríen antes de tocarlas.

SEGURIDAD

Continuación

No coloque ropa ni otros materiales inflamables sobre el calefactor o cerca de él. Nunca coloque objetos de ninguna clase en el calefactor ni en los leños.

Supervise con sumo cuidado a los niños pequeños cuando estén en la misma habitación que el calefactor.

Debe operar la chimenea con la rejilla para chimenea (cerrada), cubierta y ladrillos de protección en su sitio. Asegúrese de que éstas piezas se encuentren en su sitio antes de encender el calefactor.

Mantenga el área del calefactor despejada y libre de materiales combustibles, gasolina, diluyentes para pintura, otros vapores y líquidos inflamables.

1. Este calefactor no se debe instalar en un dormitorio ni en un baño.
2. Nunca instale el calefactor:
 - en un vehículo recreativo
 - donde cortinas, muebles, ropa u otros objetos inflamables estén a menos de 1 m (42") de las partes anterior, superior o laterales del calefactor
 - en áreas de mucho tráfico
 - en áreas con mucho viento o fuertes corrientes de aire

3. No utilice este calefactor como chimenea para quemar leños de madera. Utilice únicamente calentadores de interiores, no ventilados, decorativos (juego de leños).
4. No agregue adornos o leños extras como conos de pino, vermiculita o lana de roca. El uso de estos elementos puede producir hollín.
5. Los calentadores a base de leños de gas, sin ventilación, instalados en estos calefactores requieren que la ventilación de aire fresco circule apropiadamente. Consulte *Aire para combustión y ventilación*, en la página 5.
6. No haga funcionar el calefactor:
 - donde se utilicen o almacenen líquidos o vapores inflamables
 - en condiciones con mucho polvo
7. No utilice este calefactor para preparar comida o quemar papel u otros objetos.
8. Apague el calefactor y deje que se enfríe antes de repararlo. Sólo una persona de servicio capacitada debe reparar el calefactor y darle servicio.
9. Hacer funcionar el juego de leños sin ventilación dentro de un calefactor que esté en alturas superiores a 1,371 m (4,500 pies) puede ocasionar que el piloto se apague.
10. No utilice el calefactor si ha estado en contacto con el agua debido al peligro de electrocución que puede provocar el accesorio ventilador (si se instala).
11. Procure que se cumplan las distancias mínimas alrededor de las aberturas de aire.

CÓDIGOS LOCALES

Instale y use la chimenea cuidadosamente. Obedezca todos los códigos locales. A falta de códigos locales, utilice la última edición del *Código Nacional de Gas Combustible, ANSI Z223.1/NFPA 54**. El calefactor debe estar eléctricamente conectado a tierra de acuerdo con el *Código nacional eléctrico, ANSI/NFPA70* (última edición).

*Lo puede obtener de:

American National Standards Institute, Inc.
1430 Broadway
New York, NY 10018, EE.UU.
National Fire Protection Association, Inc.
Batterymarch Park
Quincy, MA 02269, EE.UU.

Estado de Massachusetts: la instalación la debe realizar un plomero u un instalador de gas con licencia para ejercer en el estado de Massachusetts.

Los vendedores de calentadores suplementarios de interiores a gas natural o propano no ventilados deben suministrar al comprador una copia del 527 CMR 30 al realizar la venta.

En el estado de Massachusetts se prohíbe instalar productos a base de gas sin ventilación en dormitorios y baños.

DESEMPAQUE

1. Con una navaja, corte la caja todo alrededor por encima de las grapas de la bandeja inferior. Levante la caja por encima del calefactor. Quite los empaques.
2. Verifique que la caja contenga:
 - conjunto de rejilla.
 - varilla de soporte de rejilla.
 - la bolsa de ferretería y de piezas con el siguiente contenido:
Manual de instalación
2 - Tornillos Phillips color negro #10 x 3/8"
3. Si falta alguno de estos artículos, infórmele inmediatamente al distribuidor que le vendió el calefactor.
4. Revise el calentador para ver si hay algún daño debido al transporte. Si el calentador está dañado, llame a DESA Heating, LLC al 1-866-672-6040 para obtener piezas de repuesto antes de devolverlo al distribuidor.

CARACTERÍSTICAS DEL PRODUCTO

FUNCIONAMIENTO

Este calefactor está diseñado para ser compatible con los leños de gas, decorativos, no ventilados. No requiere ventilación exterior ni chimenea, lo que hace que la instalación sea sencilla y económica. Cuando se utiliza sin el ventilador, el calefactor no requiere electricidad, por lo que es ideal para proveer calefacción en casos de emergencia.

ACCESORIO VENTILADOR

El calefactor LGFB32C acepta el accesorio GA3750A. El ventilador variable permite que se seleccione la velocidad del ventilador deseada. El ventilador hace circular el aire caliente del calefactor hacia la habitación. El uso del ventilador es opcional.

ESPECIFICACIONES DEL PRODUCTO

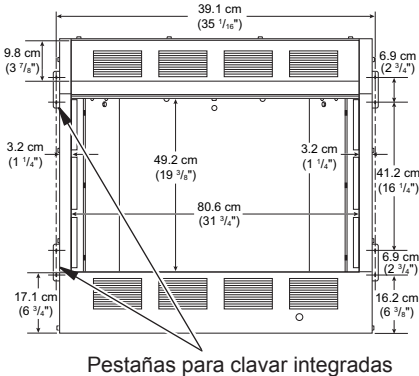


Figura 1 - Vista frontal del calefactor

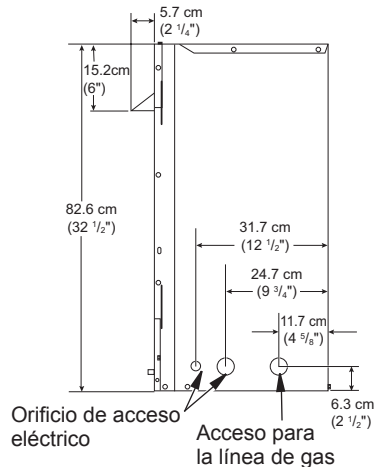


Figura 2 - Vista lateral del calefactor

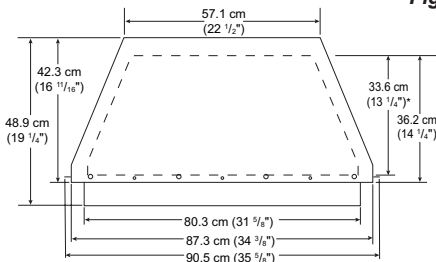


Figura 3 - Vista superior del calefactor

*Nota: 36.2 cm (14 1/4") es la profundidad total de la cavidad del calefactor incluyendo los ladrillos de protección. 33.6 cm (13 1/4") es la profundidad del piso plano incluyendo los ladrillos de protección.

UBICACIÓN DEL CALEFACTOR

Planee dónde va a instalar el calefactor. Esto le ahorrará tiempo y dinero cuando instale el calefactor. Antes de la instalación, considere lo siguiente:

1. Dónde se va a ubicar el calefactor. Tome en cuenta las distancias mínimas para las paredes y techo (consulte *Distancias mínimas de instalación*, en la página 8).

2. Todo lo necesario para completar la instalación.
3. Estos modelos NO SE PUEDEN instalar en dormitorios ni baños.
4. Aire apropiado para la combustión y ventilación (consulte *Aire para combustión y ventilación*).

AIRE PARA COMBUSTIÓN Y VENTILACIÓN

⚠ ADVERTENCIA: este calentador no se debe instalar en una habitación o espacio a menos que se proporcione el volumen adecuado de aire combustión para interiores mediante el método descrito en el *Código nacional de gas combustible, ANSI Z223.1/NFPA 54, el Código internacional de gas combustible* o los códigos locales aplicables. Lea las instrucciones siguientes para asegurarse de que su hogar cuente con la cantidad adecuada de aire fresco para éste y otros aparatos que queman combustible.

Hoy, más que nunca, las casas están diseñadas para ser más eficientes en términos de energía. Los nuevos materiales, un mejor aislamiento y los nuevos métodos de construcción ayudan a reducir la pérdida de calor en las casas. Los propietarios de las casas aplican sellador alrededor de las ventanas y puertas para mantener el aire frío afuera y el caliente adentro. Durante la temporada de calor, los propietarios de las casas desean que sus hogares estén tan herméticos como sea posible.

Aunque es bueno hacer que su hogar sea eficiente en términos energéticos, éste también necesita respirar. Es necesario que entre aire fresco a su casa. Todos los aparatos que queman combustible necesitan aire fresco para tener una combustión y ventilación adecuadas.

Los ventiladores de expulsión de aire, los calefactores, las secadoras de ropa y los aparatos que queman combustible toman aire de la casa durante su funcionamiento. Debe proporcionar suficiente aire fresco para estos aparatos. Esto asegurará que haya ventilación adecuada para los aparatos que queman combustible.

CÓMO PROVEER LA VENTILACIÓN ADECUADA

Los siguientes son extractos del *Código Nacional de Gas Combustible, ANSI Z223.1/NFPA 54, Aire para combustión y ventilación*.

Todos los espacios en las casas se pueden clasificar en una de las tres categorías de ventilación siguientes:

1. Construcción inusualmente sellada
2. Espacio no confinado
3. Espacio confinado

La información de las páginas 5 a la 7 le ayudará a clasificar su espacio y a proporcionar la ventilación adecuada.

Construcción inusualmente sellada

El aire que se filtra por los bordes de las puertas y ventanas puede proporcionar suficiente aire fresco para la combustión y la ventilación. Sin embargo, en los edificios que tienen una construcción inusualmente hermética, usted tiene que proporcionar aire fresco adicional.

Una construcción inusualmente sellada se define como aquella en la que:

- a. las paredes y los techos que están expuestos a la atmósfera exterior tienen un retardante continuo de vapor de agua con una clasificación de un perm (6×10^{-11} kg por pa-seg-m²) o menor con aberturas selladas o con empaques y,
- b. se han instalado burletes en las ventanas que se pueden abrir y en las puertas y,
- c. se han puesto selladores en las áreas como las uniones alrededor de los marcos de puertas y ventanas, entre las placas de base y los suelos, entre las uniones de las paredes con los techos, entre los paneles de las paredes, en las perforaciones para tubería de agua, líneas eléctricas y de gas, y en otras aberturas.

Si su casa cumple con los tres criterios anteriores, usted deberá proporcionar aire fresco adicional. Consulte *Aire del exterior para ventilación*, página 7.

Si su casa no cumple con los tres criterios anteriores, pase a la sección *Determinación del flujo de aire fresco para ubicar el calefactor*, página 6.

AIRE PARA COMBUSTIÓN Y VENTILACIÓN

Continuación

Espacio confinado y no confinado

El *Código Nacional de Gas Combustible ANSI Z223.1/NFPA 54* define el espacio confinado como aquel cuyo volumen es menor que 4.8 m³ por KW por hora (50 pies³ por 1,000 BTU/h) de clasificación de entrada agregada de todos los aparatos instalados en ese espacio y define el espacio no confinado como aquel cuyo volumen no es menor que 4.8 m³ por KW por hora (50 pies³ por 1,000 BTU/h) de clasificación de entrada agregada de todos los aparatos instalados en ese espacio. Las habitaciones que se comunican directamente con el espacio donde los aparatos están instalados*, mediante accesos sin puertas, se consideran parte del espacio no confinado.

* Se considera que las habitaciones adyacentes están comunicadas sólo si hay accesos sin puertas o si hay rejillas de ventilación entre ellos.

DETERMINACIÓN DEL FLUJO DE AIRE FRESCO PARA LA UBICACIÓN DEL CALENTADOR

Cómo determinar si tiene un espacio confinado o no confinado

Utilice esta hoja de trabajo para determinar si tiene un espacio confinado o no confinado.

Espacio: incluye la habitación en donde se va a instalar el calentador más todas las habitaciones adyacentes que tengan acceso sin puerta o rejillas de ventilación entre ellas.

1. Determine el volumen del espacio (largo x ancho x altura).

Largo x ancho x altura = _____ m³
(pies³) (volumen del espacio)

Ejemplo: tamaño del espacio 6.10 m (20 pies) de largo x 4.88 m (16 pies) de ancho x 2.44 m (8 pies) de altura del techo = 72.49 m³ (2560 pies³) (volumen del espacio)

Si se proporciona ventilación adicional a las habitaciones adyacentes mediante rejillas o aberturas, agregue el volumen de éstas al volumen total del espacio.

2. Multiplique el volumen del espacio en pies³ por 20 para determinar la cantidad máxima de BTU/h que el espacio puede admitir.

_____ (volumen del espacio en pies³)
x 20 = (cantidad máxima de BTU/h que el espacio puede admitir)

Ejemplo: 72.4 m³ (2,560 pies³) (volumen del espacio en pies³) x 20 = 51,200 (cantidad máxima de BTU/h que el espacio puede admitir)

3. Agregue la cantidad de BTU/h de todos los aparatos que queman combustible en ese espacio.

Calentador sin ventilación _____ BTU/h
Calentador de agua a gas* _____ BTU/h
Horno de gas _____ BTU/h
Calentador de gas
con ventilación _____ BTU/h
Leños para chimenea a gas _____ BTU/h
Otros aparatos de gas* + _____ BTU/h
Total = _____ BTU/h

* No incluya los aparatos de gas con ventilación directa. El sistema de ventilación directa toma el aire para combustión del exterior y ventila hacia el exterior.

Ejemplo:

Calentador de agua a gas 40,000 BTU/h
Chimenea sin ventilación + 39,000 BTU/h
Total = 79,000 BTU/h

4. Compare la cantidad máxima de BTU/h que el espacio puede admitir con la cantidad real de BTU/h que se utiliza.

_____ (cantidad máxima de BTU/h que el espacio puede admitir)

_____ BTU/h (cantidad real de BTU/h que se utiliza)

Ejemplo: 51,200 BTU/h (cantidad máxima que el espacio puede admitir)
79,000 BTU/h (cantidad real de BTU/h que se utilizan)

El espacio del ejemplo anterior es un espacio confinado, ya que la cantidad real de BTU/h que se utiliza es mayor que la cantidad máxima de BTU/h que el espacio puede admitir. Se tiene que proporcionar aire fresco adicional. Sus opciones son las siguientes:

- A. Vuelva a calcular la hoja de trabajo, agregando el espacio de una habitación adyacente. Si el espacio adicional genera un espacio no confinado, quite la puerta de la habitación adyacente o instale rejillas de ventilación entre las habitaciones. Consulte *Aire del interior de la construcción para ventilación*, página 7.
- B. Ventile la habitación directamente desde el exterior. Consulte *Aire del exterior para ventilación*, página 7.
- C. Instale un calentador de menos BTU/h, si una menor cantidad de BTU/h hace que la habitación sea no confinada.

Si la cantidad real de BTU/h que se utiliza es menor que la cantidad máxima que el espacio puede admitir, el espacio no es confinado. No necesitará ventilación adicional de aire fresco.

AIRE PARA COMBUSTIÓN Y VENTILACIÓN

Continuación

⚠ ADVERTENCIA: si el área en la que se va a operar el calentador no cumple los requisitos de volumen de aire de combustión para interiores, se debe proporcionar aire de combustión y para ventilación mediante uno de los métodos descritos en el *Código nacional de gas combustible, ANSI Z223.1/NFPA 54*, el *Código internacional de gas combustible* o los códigos locales aplicables.

AIRE PARA VENTILACIÓN

Aire del interior de la construcción para ventilación

Este aire fresco viene de un espacio adyacente no confinado. Cuando se ventila un espacio adyacente no confinado, se deben proporcionar dos aberturas permanentes: una a 30.48 cm (12") o menos del techo y otra a 30.48 cm (12") o menos del suelo en la pared que conecta los dos espacios (consulte las opciones 1 y 2, de la figura 4).

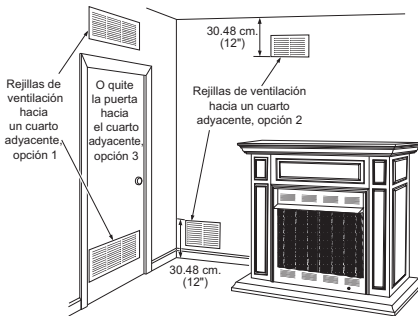


Figura 4 - Aire del interior de la construcción para ventilación

También se puede quitar la puerta de la habitación adyacente (consulte la opción 3, en la figura 4). Consulte el *Código Nacional de Gas Combustible, ANSI Z223.1/NFPA 54, Aire para combustión y ventilación* para conocer el tamaño requerido de las rejillas o ductos de ventilación.

Aire del exterior para ventilación

Proporcione aire fresco adicional mediante el uso de rejillas o conductos de ventilación. Debe proporcionar dos aberturas permanentes: una a 30.48 cm (12") o menos del techo y otra a 30.48 cm (12") o menos del suelo. Conecte estos elementos directamente al exterior o a los espacios que están abiertos al exterior. Estos espacios incluyen áticos y espacios debajo del suelo de la casa. Consulte el *Código Nacional de Gas Combustible, ANSI Z223.1/NFPA 54, Aire para combustión y ventilación* para conocer el tamaño requerido de las rejillas o ductos de ventilación.

IMPORTANTE: no proporcione aberturas de entrada y salida de aire hacia el ático si éste tiene ventilación eléctrica controlada por un termostato. El aire caliente que entre al ático activará la ventilación eléctrica.

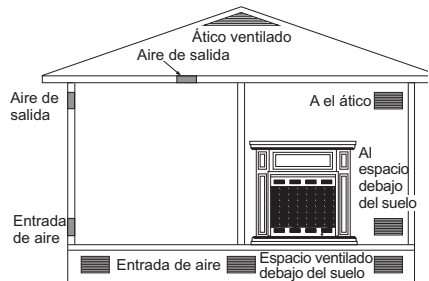


Figura 5 - Aire del exterior para ventilación

INSTALACIÓN

AVISO: este calentador está diseñado para utilizarse como calefacción adicional. Use este calentador junto con su sistema de calefacción principal. No instale este calentador como fuente de calefacción principal. Si tiene un sistema de calefacción central, puede activar el ventilador de circulación del sistema mientras utiliza el calentador. Esto ayudará a que el calor circule en toda la casa. En caso de que se presente una interrupción de la energía eléctrica, puede usar este calentador como su fuente de calefacción principal.

⚠️ ADVERTENCIA: una persona de servicio capacitada debe instalar el calefactor. Siga todos los códigos locales.

⚠️ ADVERTENCIA: nunca instale el calefactor:

- en un dormitorio o baño,
- en un vehículo recreativo,
- donde cortinas, muebles, ropa u otros objetos inflamables estén a menos de 1 m (42") de las partes anterior, superior o laterales del calefactor,
- en áreas de mucho tráfico.

IMPORTANTE: los calentadores de leños a gas, sin ventilación añaden humedad al aire. Aunque esto es benéfico, la instalación del calefactor en habitaciones sin suficiente aire de ventilación puede ocasionar la formación de moho debido al exceso de humedad. Consulte Aire para combustión y ventilación, en la página 5.

IMPORTANTE: asegúrese de que el calefactor esté nivelado. Si el calefactor no está nivelado, el juego de leños no trabajará correctamente.

Nota: el calefactor está diseñado para funcionar en instalaciones con distancias libres mínimas de cero. Los materiales para enmarcar o recubrir la pared se pueden colocar directamente sobre las superficies exteriores del calefactor, ya sean los lados o la parte de arriba, excepto

donde se encuentran los espaciadores para detenerlo ya que están completamente adheridos a él. Si los espaciadores para detenerlo están adheridos al calefactor, estos espaciadores se pueden colocar directamente sobre los materiales para enmarcar o recubrir la pared.

Utilice las dimensiones mostradas para aberturas ásperas para realizar la instalación más fácil (consulte Instalación de calefactor empotrado, en la página 11).

DISTANCIAS MÍNIMAS DE INSTALACIÓN

⚠️ ADVERTENCIA: mantenga las distancias mínimas. Si es posible, proporcione distancias mayores respecto al suelo, al techo y a las paredes adyacentes.

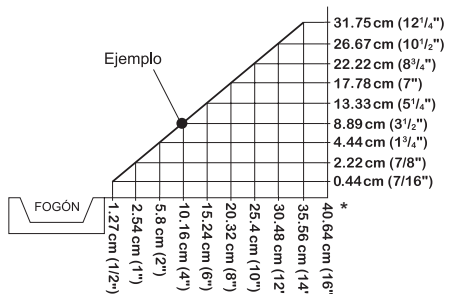
Siga las instrucciones siguientes cuidadosamente. Esto garantizará una instalación segura.

Distancias mínimas de los alrededores para materiales combustibles, paredes y techo

A. Las distancias mínimas desde los gabinetes de la chimenea hacia cualquier material combustible y paredes deben ser las que se indican en el diagrama de la figura 6.

Ejemplo: la parte frontal de una repisa, de un librero, etc., está hecha de material combustible y protuberancias de 8.9 cm (3 1/2") desde la pared. Este material combustible debe estar a 10.16 cm (4") de la abertura para la chimenea (consulte la figura 6).

B. Las distancias mínimas a partir de la parte superior de la abertura del calefactor hacia el techo no deben ser menores de 1 m (42").



*Mínimo 40.64 cm (16") de la pared lateral

Figura 6 - Distancia mínima del calefactor a la pared

INSTALACIÓN

Continuación

Distancias mínimas de repisa para instalaciones empotradas

Si va a colocar una repisa arriba del calefactor empotrado, debe cumplir con la distancia mínima permitida entre la repisa y la parte superior de la abertura del, página 9. Estas son las distancias mínimas permitidas para la repisa para una instalación segura. Utilice distancias mayores cuando sea posible para minimizar el calentamiento de objetos y materiales colocados en la repisa.

PRECAUCIÓN: cierre las rejillas antes de operar el calentador de leños a gas, sin ventilación. No permita que el calentador toque o se extienda más allá de la rejilla de chimenea.

Si la instalación no cumple con las distancias mínimas mostradas en la figura 7, página 9, debe realizar lo siguiente:

- levante la repisa a una altura aceptable
- retire la repisa.

Nota:

todas las medidas verticales son desde la parte superior de la abertura del calefactor a la parte inferior de la repisa de la misma.

El material del acabado (arriba del calefactor) puede ser material combustible, incluyendo ornamentos decorativos de la repisa.

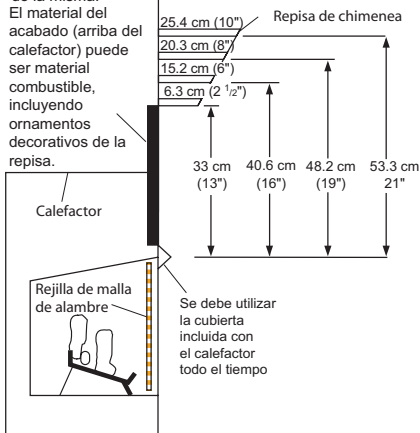


Figura 7 - Distancia mínima de la repisa para chimenea en instalaciones empotradas

INSTALACIÓN DEL ACCESORIO VENTILADOR

Puede instalar el accesorio ventilador GA3750A en una instalación convencional (ilustrada a continuación) o en una instalación empotrada (consulte *Instalación empotrada del accesorio ventilador*, en la página 10). Para instalar el accesorio ventilador, consulte las instrucciones incluidas en el paquete.

Instalación convencional del accesorio ventilador

1. Instale el ensamblaje del ventilador de acuerdo con las instrucciones incluidas en el paquete del accesorio ventilador.
2. Antes de volver a colocar la parte inferior del calefactor, introduzca el cable de alimentación del ventilador a través del orificio del soporte ubicado la parte inferior del calefactor y a través del orificio que está en uno de los lados del calefactor, hacia un enchufe eléctrico de 120 voltios de tres orificios conectado a tierra (consulte la figura 8). Conecte el cable eléctrico en el enchufe.
3. Vuelva a colocar la parte inferior del calefactor.

AVISO: un electricista certificado debe conectar el cableado eléctrico al enchufe doble en la instalación empotrada. Siga todos los códigos locales. A falta de códigos locales, consulte el **Código nacional eléctrico, ANSI/NFPA 70** (última edición).

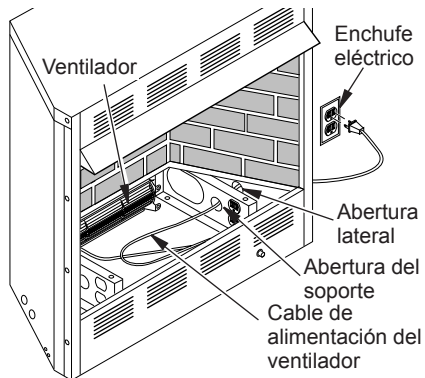


Figura 8 - Inserción del cable de alimentación del accesorio ventilador para instalación convencional

INSTALACIÓN

Continuación

Instalación empotrada del accesorio ventilador

1. Instale el ensamblaje de ventilador de acuerdo con las instrucciones incluidas.
2. Antes de volver a colocar la parte inferior del calefactor, quite el enchufe doble atornillado al soporte de la parte inferior del calefactor. Quite el enchufe doble.
3. Sujete el cable eléctrico dentro del calefactor a través del orificio más pequeño utilizando el atenuador de deformaciones proporcionado.
4. Pase los cables provenientes del enchufe de pared al enchufe doble del calefactor y el orificio en el soporte (consulte la figura 9).
5. Conexión de los cables provenientes del enchufe de pared al enchufe doble. Haga que coincidan los colores de los cables con los indicados en el enchufe doble. Asegúrese de conectar el cable a tierra.
6. Vuelva a colocar el enchufe doble con el tornillo.
7. Conecte el cable del ventilador al enchufe doble.
8. Vuelva a colocar la parte inferior del calefactor.

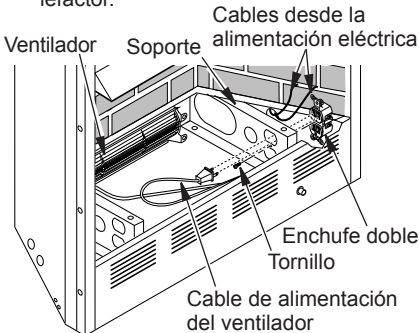


Figura 9 - Inserción del cable de alimentación del accesorio ventilador para instalación empotrada

Funcionamiento del ventilador

Encienda el aparato a gas con el ventilador apagado. Después de unos 15 minutos, encienda el ventilador para proporcionar aire caliente a las ventilas superiores. El ventilador cuenta con un control variable que permite seleccionar la velocidad deseada.

Nota: revise periódicamente las ventilas del calefactor y límpielas de polvo, tierra u otro tipo de obstrucciones.

INSTALACIÓN DEL CALENTADOR DE LEÑOS EN EL CALEFACTOR

⚠ PRECAUCIÓN: no levante la base del juego de leños desde los quemadores. Esto puede dañar los quemadores. Sujete la base únicamente por la rejilla.

⚠ PRECAUCIÓN: no quite las placas de datos colocadas en el montaje base del calentador. Las placas de datos contienen información importante acerca de la garantía y seguridad.

1. Retire los cuatro tornillos que sostienen la parte inferior del calefactor en su lugar.
2. Levante y retire la parte inferior del calefactor (consulte la figura 10).
3. Si va a instalar el accesorio ventilador GA3750A, consulte *Instalación del accesorio ventilador*, en la página 9.
4. Pase la línea de gas flexible desde la válvula de cierre del equipo a través de un lado del calefactor.

AVISO: la mayoría de los códigos para inmuebles no permiten conexión de gas oculta. Se recomienda una línea de gas flexible para hacerla accesible desde del calefactor. La conexión del tubo flexible de suministro de gas para la válvula de cierre del equipo debe ser de fácil acceso.

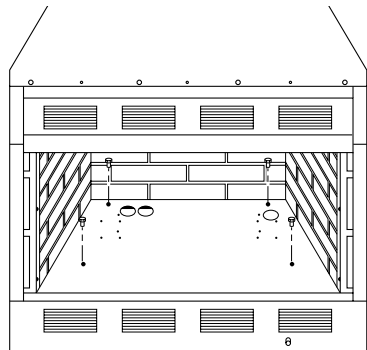


Figura 10 - Cómo quitar la parte inferior del calefactor

INSTALACIÓN

Continuación

5. Fije la base del calentador de leños a gas a la parte inferior del calefactor mediante los cuatro tornillos incluidos con la base (consulte *Instalación del montaje de la base del calentador* en el manual del propietario del juego de leños).
6. Vuelva a colocar la parte inferior del calefactor y asegúrela con los tornillos.

INSTALACIÓN DE LA CUBIERTA DEL CALEFACTOR

AVISO: el sombrerete (cubierta) del calefactor no se debe modificar o reemplazar con otro como el que se proporciona con el calentador de habitaciones decorativo no ventilado.

1. Fije los tres tornillos con pivote de color zinc a la parte posterior de la cubierta.
2. Inserte la cubierta entre la parte superior de la chimenea y las ventilas como se muestra en la figura 11.
3. Sostenga la cubierta en su lugar. Coloque dos tornillos Phillips negros a través de la parte inferior de la cubierta y apriételes.

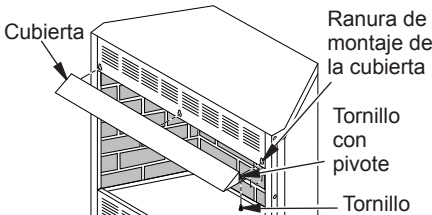


Figura 11 - Instalación de la cubierta del calefactor

INSTALACIÓN DE LA REJILLA DEL CALEFACTOR

1. Inserte cada varilla través de los nueve anillos localizados en la parte superior de la rejilla (consulte la figura 12).
2. Inserte la primera barra dentro del orificio de la parte posterior del calefactor. Asegure la barra en el orificio de la parte posterior cerca del centro del calefactor utilizando el tornillo con pivote negro.
3. Inserte la otra barra dentro del orificio de la parte anterior del lado derecho del calefactor y asegúrela utilizando el tornillo con pivote sobrante.

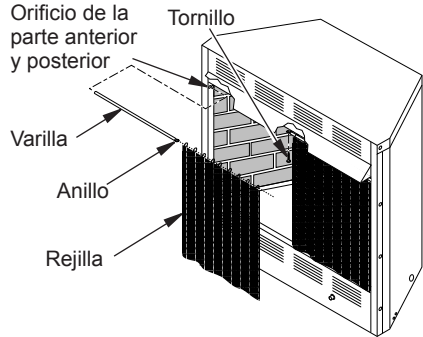


Figura 12 - Instalación de la rejilla del calefactor

INSTALACIÓN DEL CALEFACTOR UTILIZANDO LOS ACCESORIOS OPCIONALES DE REPISA

Este calefactor se puede instalar poniendo la repisa para esquina o de gabinete con base contra alguna pared de su hogar. Se incluye un juego de perímetro de adorno con los accesorios de la repisa (consulte *Accesorios*, en la página 15).

INSTALACIÓN DE CALEFACTOR EMPOTRADO

La instalación para este calefactor empotrada incluye la instalación de la misma dentro de un recinto enmarcado. Esto permite que el frente del calefactor esté alineado con la pared. Está disponible un perímetro de adorno opcional (consulte *Accesorios*, en la página 15). Este perímetro de adorno se extenderá sobrepasando los lados del calefactor por aproximadamente 1.27 cm (1/2"). Esto cubrirá las esquinas ásperas de la abertura de la pared. Si va a instalar una repisa arriba del calefactor, debe seguir las distancias mínimas mostradas en la figura 7, de la página 9. Siga las instrucciones a continuación para instalar el calefactor de éste modo.

1. Marco en una abertura áspera. Use las medidas mostradas en la figura 13, en la página 12, para la abertura áspera. Si va a instalar en una esquina, utilice las medidas mostradas en la figura 14, en la página 12, para la abertura áspera. La altura es de 83.8 cm (33"), que es la misma que la de la abertura de la pared en la figura 13 en la página 12.

INSTALACIÓN

Continuación

2. Instale la tubería de gas para la ubicación del calefactor. Esta instalación incluye una línea de gas flexible aprobada (si es permitida por los códigos locales) después de la válvula de cierre del equipo. La línea de gas flexible debe ser lo último que se instale en la tubería de gas. Consulte Conexión al suministro de gas en el manual del propietario del juego de leños.
3. Cuidadosamente coloque el calefactor al frente de la abertura áspera con la parte posterior del calefactor dentro de la abertura de la pared.
IMPORTANTE: cuando instale el perímetro de adorno consulte las instrucciones incluidas con el mismo. Debe instalar los tornillos con pivote ahora.
4. Si va a utilizar el accesorio ventilador GA3750A, consulte Instalación empotrada del accesorio ventilador, en la página 9.
5. Fije la línea de gas flexible al juego de leños. Consulte Conexión al suministro de gas en el manual del propietario del juego de leños.
6. Inserte con cuidado el calefactor dentro de la abertura áspera.
7. Fije el calefactor a las vigas de la pared utilizando clavos o tornillos para madera a través de los orificios de las pestañas para clavar (consulte la figura 15).

8. Revise todas las conexiones en busca de fuga de gas. Consulte Revisión de las conexiones de gas en el manual del propietario del juego de leños.
9. Si utiliza el perímetro de adorno opcional, instálelo después del acabado final o de pintar en la pared. Consulte las instrucciones incluidas con el accesorio de perímetro de adorno para la sujeción del mismo.

IMPORTANTE: cuando termine la chimenea, los materiales combustibles como paneles para pared, de yeso, tablaroca, triplay, etc., pueden ser redondeados en las esquinas a los lados y parte superior de la chimenea. Los materiales combustibles no deben recubrir la parte anterior de la chimenea.

⚠ ADVERTENCIA: no permita que ningún material combustible recubra la parte anterior de la chimenea.

IMPORTANTE: materiales no combustibles como ladrillo, mosaico, etc. pueden recubrir la parte anterior de la chimenea pero no deberán cubrir ninguna de las aberturas necesarias, tales como las ranuras de ventilación.

⚠ ADVERTENCIA: no deje que ningún material no combustible cubra las aberturas necesarias, tales como las ranuras de ventilación.

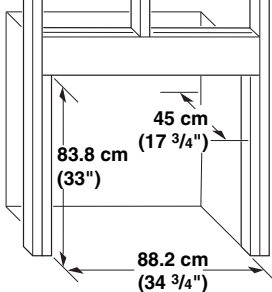


Figura 13 - Abertura áspera para instalación en la pared

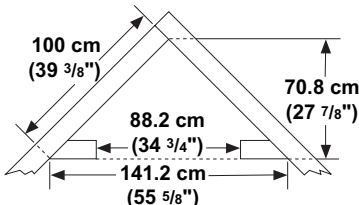


Figura 14 - Abertura áspera para instalación en la esquina

	Actual	Marco
Altura	82.6 cm (32 1/2")	84 cm (33")
Ancho de la parte anterior	87 cm (34 5/16")	88.3 cm (34 3/4")
Profundidad	42.3 cm (16 11/16")	45 cm (17 3/4")

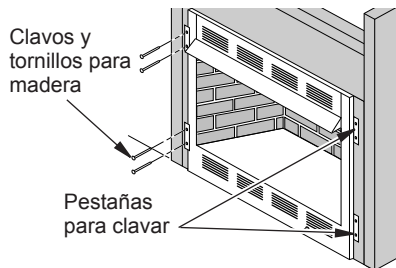


Figura 15 - Fijación del calefactor a las vigas de la pared

INSTALACIÓN

Continuación

⚠ ADVERTENCIA: usesólo adhesivos o pegamento no combustibles cuando recubra la parte anterior de la chimenea con materiales de acabado no combustibles.

ENSAMBLAJE DEL ADORNO

1. Retire el embalaje de las tres piezas del adorno.
2. Localice dos placas de ajuste con tornillos fijos y dos cuñas en el paquete de tornillería.
3. Alinee la cuña debajo de la placa de ajuste como se muestra en la figura 16.
4. Deslice un extremo de la placa de ajuste y base para nivelar en la ranura del borde angular de la parte superior del adorno de la chimenea (consulte la figura 16).
5. Deslice el otro extremo de la placa de ajuste y base para nivelar en la ranura del borde angular del adorno de la chimenea (consulte la figura 16).
6. Mientras sujeta firmemente los bordes del adorno unidos, apriete los dos tornillos fijos de la placa de ajuste con un destornillador plano.
7. Repita los pasos 2 a 6 para las otras esquinas.
8. El adorno debe fijarse solamente hasta después de que la chimenea se haya instalado dentro de la repisa o la pared. Para instalar el adorno, con firmeza, encaje el ensamble del adorno sobre los tornillos con pivote (consulte la figura 17). Los tornillos con pivote están situados en el gabinete de la chimenea.

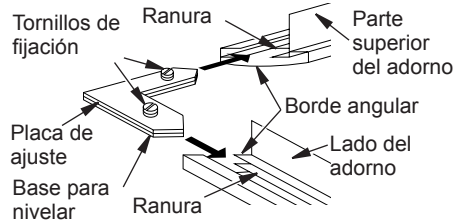


Figure 16 - Armado del adorno

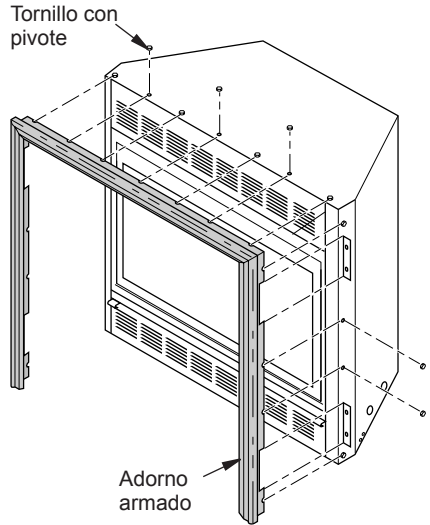


Figure 17 - Fijación del adorno a la chimenea

PIEZAS DE REPUESTO

Nota: use sólo piezas de repuesto originales. Esto protegerá la cobertura de su garantía para partes reemplazadas bajo la garantía.

PIEZAS CON GARANTÍA

Comuníquese con los distribuidores autorizados de este producto. Si no pueden proporcionarle las piezas originales de repuesto, llame a DESA Heating, LLC al 1-866-672-6040.

Cuando llame a DESA Heating, LLC tenga listo:

- su nombre,
- su dirección
- los números de modelo y de serie de su calentador,
- la falla del calentador,
- la fecha de compra

Por lo general, le pediremos que devuelva la pieza a la fábrica.

PIEZAS SIN GARANTÍA

Comuníquese con los distribuidores autorizados de este producto. Si no pueden suministrarle piezas de repuesto originales, comuníquese con la Central de piezas más cercana (consulte la página 18) o llame a DESA Heating, LLC al 1-866-672-6040 para obtener información de referencias. Puede hallar una lista de distribuidores al visitar **www.desatech.com**.

Cuando llame a DESA Heating, LLC tenga listo:

- los números de modelo y de serie de su calentador,
- el número de la pieza de repuesto.

SERVICIO TÉCNICO

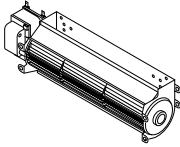
Es posible que tenga preguntas adicionales sobre la instalación, el funcionamiento o la solución de problemas. De ser así, póngase en contacto con DESA Heating, LLC al 1-866-672-6040. Al llamar tenga a la mano los números de modelo y serie de su calentador.

También puede visitar el sitio web de DESA Heating, LLC en **www.desatech.com**.

ACCESORIOS

AVISO: no todos los accesorios están disponibles para todos los modelos de chimenea.

Adquiera estos accesorios con su distribuidor local. Si no pueden proporcionarle estos accesorios, comuníquese con la Central de piezas más cercana o llame a DESA Heating, LLC al 1-866-672-6040 para obtener información. También puede escribir a la dirección que aparece en la última página de este manual.



ACCESORIO VENTILADOR, GA3750A

El ventilador variable permite que se seleccione la velocidad deseada. El ventilador hace circular el aire caliente del calefactor hacia la habitación.

REPISA CON GABINETE ESQUINADA CON ZÓCALO Y MARCO DE ADORNO

C32AU: Sin acabado, diseño tradicional

C32AOS: Acabado en roble claro, diseño tradicional

C32HS: Acabado en roble oscuro, diseño clásico

Ideal para instalaciones que necesitan ahorrar espacio.

REPISA CON GABINETE DE PARED Y ZÓCALO CON MARCO DE ADORNO PARA CHIMENEA

W32AU: Sin acabado, diseño tradicional

W32AOS: Acabado en roble claro, diseño tradicional

CMA311W: Pintado en color blanco, diseño tradicional con moldura denticulada

CMA306FA: Acabado en roble claro, diseño tradicional con moldura denticulada

CMA312FB: Acabado en roble oscuro, diseño clásico

W32KCSA: Acabado en color cereza, diseño neoclásico

W32KPA: Pintado en color blanco, diseño neoclásico

CMA305UA: Sin acabado, diseño georgiano con columnas

GMC90FA: Acabado en roble claro, diseño georgiano con columnas

W32DS: Acabado en roble oscuro, diseño con piedra clave

W32GOSA: Acabado en roble oscuro, diseño misión

LADRILLOS DE PROTECCIÓN REFRACTARIOS

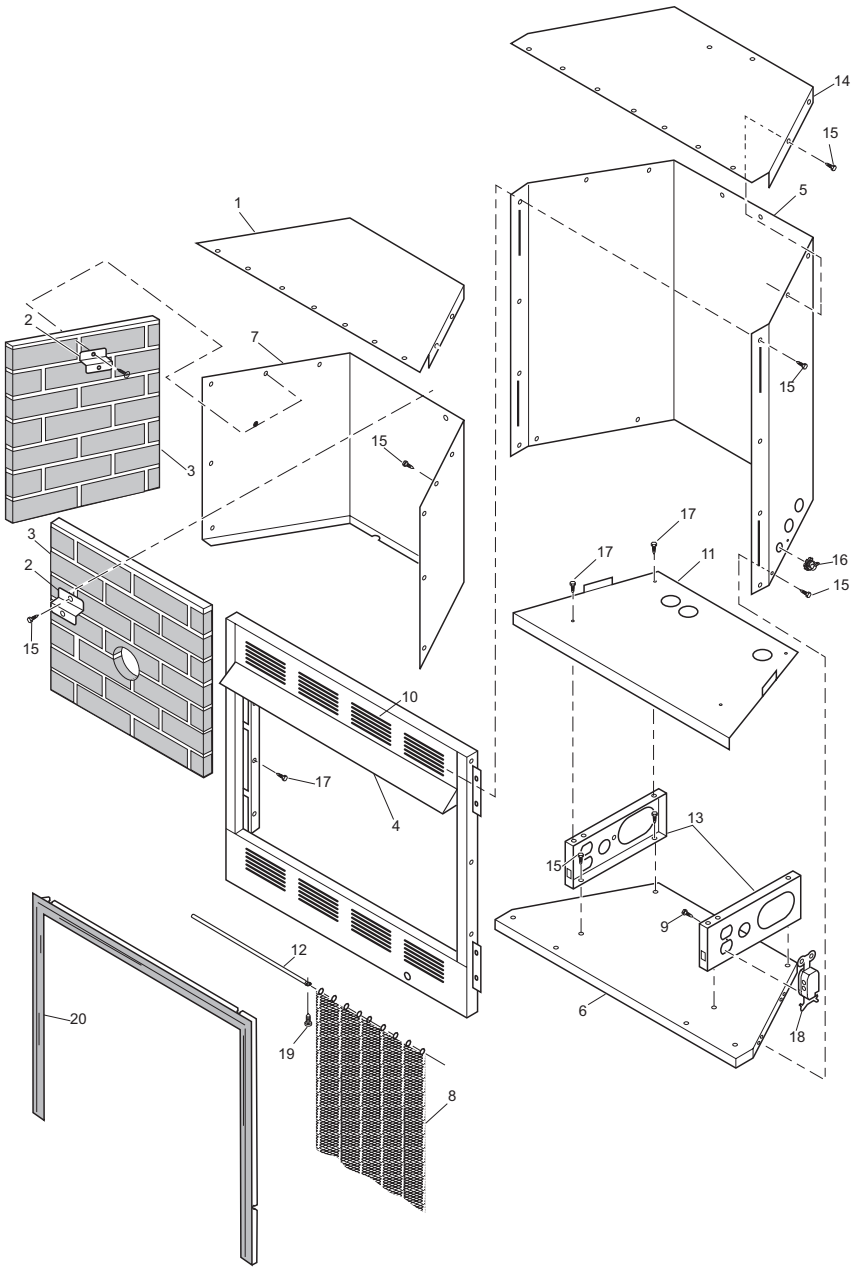
HFL300: Ladrillo estándar tipo antiguo color almendra

HFL310: Ladrillo Herringbone (en espiga) tipo antiguo color almendra

HFL311: Ladrillo Herringbone (en espiga) tipo antiguo color rojo

PIEZAS

MODELO LGFB32C



LISTA DE PIEZAS

MODELO LGFB32C

Esta lista contiene las piezas reemplazables utilizadas en el calefactor. Al hacer un pedido de piezas, siga las instrucciones enumeradas en Piezas de repuesto en la página 14 de este manual.

N°	N° DE PARTE	DESCRIPCIÓN	CANT.
1	101872-03	Parte superior del calefactor	1
2	101889-01	Sujetador de ladrillos de chimenea	3
3	117538-02	Ladrillos de chimenea	1
4	119521-03BR	Cubierta	1
5	103207-01	Cubierta externa	1
6	**	Base de la cubierta exterior	1
7	**	Cornamusa del calefactor	1
8	103297-01	Montaje de rejilla	2
9	M12461-2	Tornillo, montaje de enchufe	1
10	103773-05	Montaje de la parte anterior	1
11	**	Parte inferior del calefactor	1
12	103809-01	Barra de rejilla	2
13	**	Soporte del calefactor	2
14	101357-03	Parte superior de la cubierta externa	1
15	M11084-26	Tornillo de cabeza hexagonal, #10-16	49
16	103771-01	Conexión de atenuación de deformaciones	1
17	098304-01	Tornillo Phillips de cabeza de cubo, #10	13
18	GA3555	Enchufe doble	1
19	099230-02	Tornillo con pivote	2
20	PT32	Paquete del adorno de chimenea	1

** No es una pieza que se pueda reemplazar en el sitio.

CENTRAL DE PIEZAS

Estas Centrales de piezas son empresas privadas. Han aceptado dar asistencia a las necesidades de nuestros clientes ofreciendo piezas de repuesto y accesorios originales.

Those Heater Guys

255 E. Stowell Street
Upland, CA 91786, EE.UU.
909-928-3011

Tool & Equipment, Co.

5 Manila Ave
Hamden, CT 06514, EE.UU.
1-800-397-7553
203-248-7553

Portable Heater Parts

342 N. County Rd. 400 East
Valparaiso, IN 46383, EE.UU.
Para todos los estados
219-462-7441
1-888-619-7060
sales@portableheaterparts.com
techservice@portableheaterparts.com

FBD

1349 Adams Street
Bowling Green, KY 42103, EE.UU.
270-846-1199
1-800-654-8534
Fax: 1-800-846-0090
franktalk@aol.com

Master Parts Dist.

1251 Mound Ave. NW
Grand Rapids, MI 49504, EE.UU.
616-791-0505
1-800-446-1446
Fax: 616-791-8270
www.nbmc.com

Washer Equipment Co.

1715 Main Street
Kansas City, MO 64108, EE.UU.
KS, MO, AR
816-842-3911
www.washerparts.com

East Coast Energy Products

10 East Route 36
W. Long Branch, NJ 07764, EE.UU.
732-870-8809
1-800-755-8809
www.njplaza.com/ecep

21st Century

2950 Fretz Valley Road
Perkasie, PA 18944, EE.UU.
215-795-0400
800-325-4828

Laporte's Parts & Service

2444 N. 5th Street
Hartsville, SC 29550, EE.UU.
843-332-0191
Departamento de piezas

Cans Unlimited, Inc.

P.O. Box 645
Taylor, SC 29687-0013, EE.UU.
Para todos los estados
803-879-3009
1-800-845-5301
cuissales@aol.com

GARANTÍA

GUARDE ESTA GARANTÍA

Modelo (localizado en el producto o en la etiqueta de identificación) _____

Número de serie (localizado en el producto o en la etiqueta de identificación) _____

Fecha de compra _____

Conserve su recibo para la verificación de la garantía.

GARANTÍAS LIMITADAS DE DESA HEATING, LLC

Productos nuevos

Garantía estándar: DESA Heating, LLC garantiza que este producto nuevo y cualquiera de sus partes estarán libres de defectos en materiales y mano de obra durante un periodo de un (1) año a partir de la fecha de la compra original de un distribuidor autorizado, siempre y cuando el producto haya sido instalado, mantenido y operado de acuerdo con las advertencias e instrucciones de DESA Heating, LLC.

Para productos adquiridos de uso comercial, industrial o para alquiler, esta garantía está limitada a 90 días a partir de la fecha de la compra original.

Productos reacondicionados de fábrica

Garantía limitada: DESA Heating, LLC garantiza este producto reacondicionado de fábrica y cualquiera de sus partes contra cualquier defecto en materiales y mano de obra durante los primeros 30 días a partir de la fecha de la compra con un distribuidor autorizado, siempre y cuando el producto se haya instalado, mantenido y operado de acuerdo con las advertencias e instrucciones de DESA Heating, LLC.

Términos comunes en todas las garantías

Los siguientes términos se aplican a todas las garantías mencionadas anteriormente:

Especifique siempre los números de modelo y de serie al comunicarse con el fabricante. Para hacer una reclamación al amparo de esta garantía se deberá presentar la factura u otro comprobante de compra.

Esta garantía se extiende sólo al comprador minorista original cuando el producto se adquirió de un distribuidor autorizado y solamente si la instalación la realiza un instalador calificado que siga los requisitos de los códigos locales y las instrucciones que se han incluido con este producto.

Esta garantía cubre el costo de las piezas necesarias para restaurar este producto a sus condiciones correctas de funcionamiento y una cantidad compensatoria para la mano de obra cuando sean proporcionadas por un centro de servicio autorizado de DESA Heating, LLC o un distribuidor aprobado. Las piezas bajo garantía se deben obtener de distribuidores autorizados para este producto o de DESA Heating, LLC, quien proporcionará piezas de reemplazo originales de fábrica. Esta garantía queda anulada si no se utilizan piezas de reemplazo originales de fábrica.

Los gastos de viaje, manejo, transporte, diagnóstico, materiales, mano de obra y costos indirectos relacionados con las reparaciones bajo garantía no son reembolsables bajo esta garantía y son responsabilidad del propietario, a menos que estén explícitamente cubiertos por esta garantía.

Esta garantía no cubre los productos o piezas que fallen o resulten dañados a consecuencia del uso incorrecto, accidentes, instalación incorrecta, falta de mantenimiento adecuado, manipulación o alteraciones.

Ésta es la garantía exclusiva de DESA Heating, LLC y, para todos los efectos legales, esta garantía explícita excluye a todas las demás garantías, explícitas o implícitas, escritas o verbales, y limita la duración de cualquiera de las garantías implícitas, incluso las garantías de comerciabilidad e idoneidad para un uso particular, al plazo de un (1) año para productos nuevos y 30 días para productos reacondicionados de fábrica, a partir de la fecha de la compra original. DESA Heating, LLC no ofrece ninguna otra garantía relacionada con este producto.

La responsabilidad de DESA Heating, LLC se limita al precio de compra del producto y DESA Heating, LLC no se hace responsable de ningún otro daño bajo ninguna circunstancia, que incluyen daños indirectos, incidentales y consecuentes.

Algunos estados no permiten las limitaciones a la duración de las garantías implícitas o a la exclusión o limitación de daños incidentales o consecuentes, de modo que es posible que la limitación o exclusión anterior no se aplique a usted.

Esta garantía le otorga derechos legales específicos y posiblemente tenga otros derechos que varían de un estado a otro.

Para obtener información sobre esta garantía, comuníquese con:



DESA Heating, LLC
2701 Industrial Drive
Bowling Green, KY 42101
www.desatech.com
1-866-672-6040

119505-01
Rev. E
09/08



119505 01
NOT A UPC