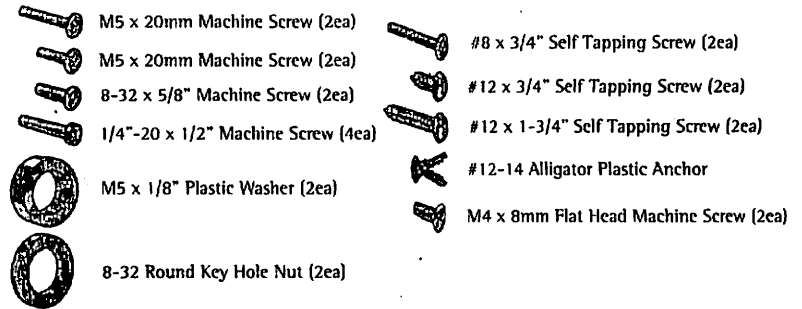


Installation Instructions

IMPORTANT

Please read the instruction sheet prior to installation. This speaker mount was designed solely for the mounting of small speakers weighing less than 10lbs. Premier Mounts is not responsible for damage that may occur if speakers weighing more than 10lbs. are used.

NOTE: The user will have to determine which type of configuration will work best with the hardware that was purchased. If the included hardware does not fit the application, the appropriate hardware will have to be purchased.



Single Hole Mounting

- Most satellite speakers will require the use of the M5 x 20mm machine screw used in combination with the M5 x 1/8" plastic washer. The plastic washer is used as a spacer between the threaded insert and the post (Figure 1).
- Once the proper configuration is determined, secure the post to the speaker.

NOTE: It is critical the M5 plastic washer is used correctly.

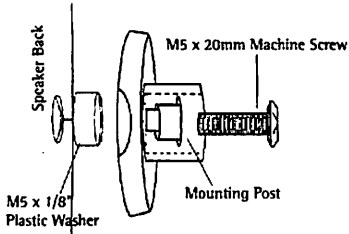


Figure 1

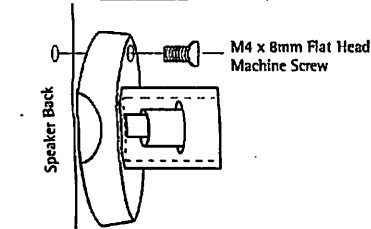


Figure 2

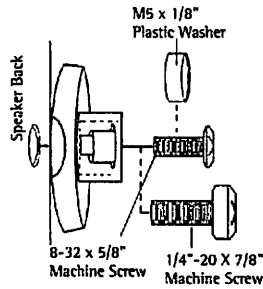


Figure 3

- Some speakers use the smaller M4 x 8mm hardware, which is inserted into the off-center hole on the mounting post (Figure 2).
 - Check the size of the hole and make sure the 8-32 x 5/8" machine screw, the 1/4"-20 x 1/2" machine screw, the 1/4"-20 x 7/8", or the M5 x 20mm fits inside (Figure 3).
 - When the correct size is determined, place the screw through the speaker post and attach to the rear of the speaker enclosure.
- NOTE:** If the screw does not tighten properly, use the M5 x 1/8" plastic washer to tighten it up.

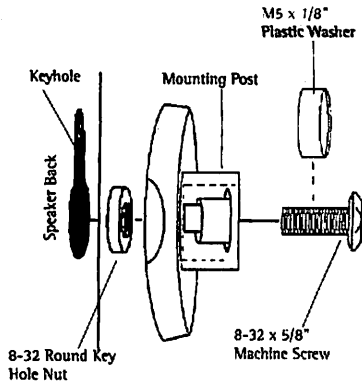


Figure 4

Key Hole Mounting

- If your speaker has a factory key hole design, you will use the 8-32 x 5/8 machine screws in combination with the key hole nut.
 - Loosely pre-assemble the mounting post with the 8-32 x 5/8" machine screw and key hole nut (Figure 4).
- NOTE:** Be sure the key hole nut is installed with the knurled (rough) edge toward the post.
- Engage the key hole nut into the key hole slot, as shown.
 - Put tension on the assembly by gently pulling back on the speaker mount post while tightening the 8-32 x 5/8" machine screw (Figure 4).
 - The key hole nut will engage on the housing in the key hole slot.
 - If the post does not tighten securely against the housing, it will be necessary to use the M5 x 1/8" plastic washer as a spacer under the head of the 8-32 x 5/8" machine screw (Figure 4).

2/4 - Hole Mounting

- Find the best mounting configuration that matches your speaker enclosure. Four-hole speaker mount patterns can be accommodated by positioning the speaker plate diagonally (Figure 5).
- Using the 1/4"-20 x 1/2" machine screws, install the speaker plate and secure the speaker enclosure (Figure 5).

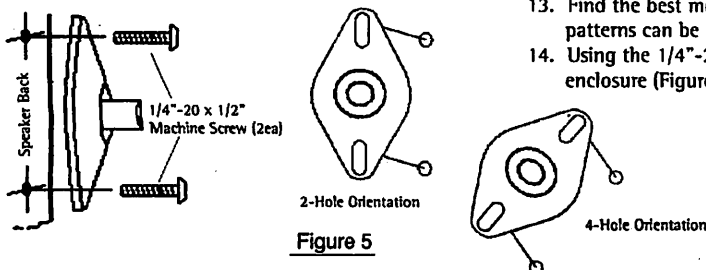


Figure 5

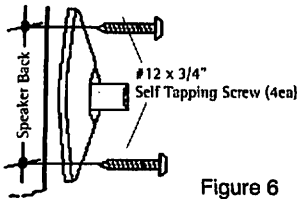


Figure 6

Self-Tapped Mounting

15. Locate the optimum location for the mounting plate and use it as a template to mark the drilling locations.
NOTE: Do not drill or screw into the speaker where you could possibly damage the internal components.
16. Drill the pilot hole(s) using a 1/8" drill bit. This hole(s) should not be drilled more than 1/2" depth (Figure 6).

MOUNTING TO THE WALL OR CEILING

The mounting hardware for three different surface applications is supplied. You will need to determine what style hardware will work best with your mounting surface. Always use caution when drilling into a wall or ceiling. Make sure to avoid all electrical and water lines.

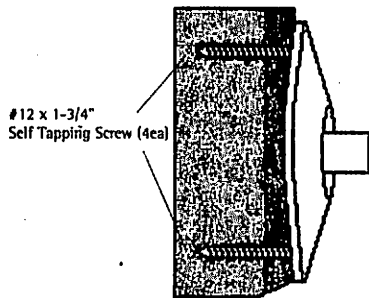


Figure 7

WOOD SURFACE

1. Using a stud finder, locate the wood stud or framing member.
- NOTE: Always mount the speakers in the center of a stud.
2. Using the wall plate as a template, mark hole positions on mounting surface.
- NOTE: In wall mounting applications position mounting holes in a vertical pattern (Figure 7).
3. Drill holes through the drywall and into the wood stud using a 1/8" drill bit. These holes should be drilled 1-7/8" deep (Figure 7).
4. After the holes are drilled, mount the wall plate using the #12 x 1-3/4" self tapping screws.

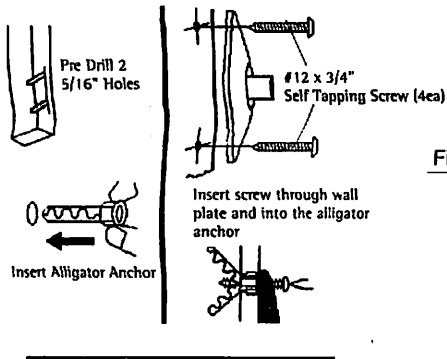


Figure 8

DRYWALL SURFACE

1. Locate the best mounting location in the ceiling or wall.
Using the wall plate as a template, mark the hole positions on the mounting surface.
- NOTE: In wall mounting applications position mounting holes in a vertical pattern.
2. Drill holes in the drywall using a 5/16" drill bit (Figure 8).
3. Once the holes are drilled, insert the alligator anchor into the holes. Make sure the anchor is flush with the wall and/or ceiling surface (Figure 8).
4. With the anchors in place, mount the wall plates using the #12 x 1-3/4" self tapping screws (Figure 8).

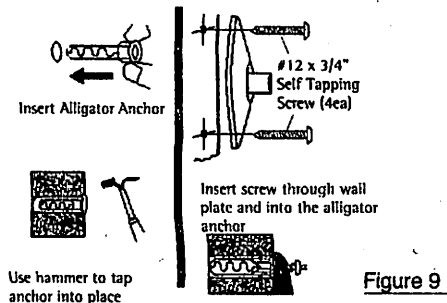


Figure 9

CONCRETE SURFACE

1. Using the wall plate as a template mark a hole positions on the mounting surface.
- NOTE: In wall mounting applications position mounting holes in a vertical pattern.
2. Drill holes in the solid concrete or hollow block using a 5/16" masonry bit. Once the holes are drilled, insert the #12-14 Alligator anchors (Figure 9) into the holes, making sure the anchor is flush with the surface of the wall (Figure 9).
3. With the wall anchors in place, mount the wall plate using the #12 x 1-3/4" self tapping screws (Figure 9).

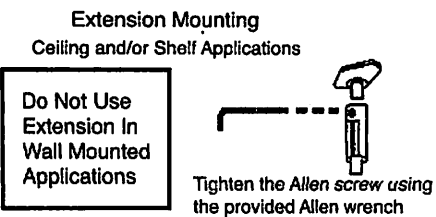


Figure 10

Install 2-1/2" extension portion of the speaker mount to the wall plate.
Secure the setscrew to hold the extension in place with the weight of the speaker attached.

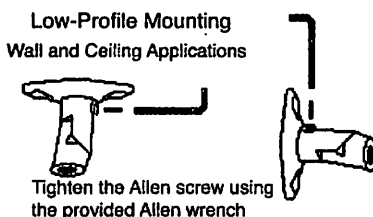


Figure 11

Install the low-profile portion of the speaker mount to the wall plate or 2-1/2" extension.
Secure the setscrew to hold the extension in place with the weight of the speaker attached.

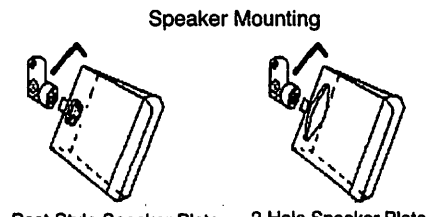


Figure 12

Install the speaker with the speaker post or 2-hole plate attached.
Secure the setscrew to hold the extension in place with the weight of the speaker attached.