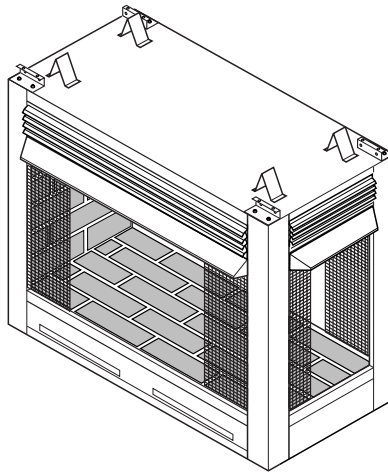


VANGUARD®

UNVENTED (VENT-FREE) LogMate® UNIVERSAL FIREBOX

OWNER'S OPERATION AND INSTALLATION MANUAL



Model FBPS
36" Peninsula Heat-Circulating Firebox

WARNING: If the information in this manual is not followed exactly, a fire or explosion may result causing property damage, personal injury, or loss of life.

- Do not store or use gasoline or other flammable vapors and liquids in the vicinity of this or any other appliance.
- **WHAT TO DO IF YOU SMELL GAS**
 - Do not try to light any appliance.
 - Do not touch any electrical switch; do not use any phone in your building.
 - Immediately call your gas supplier from a neighbor's phone. Follow the gas supplier's instructions.
 - If you cannot reach your gas supplier, call the fire department.
- Installation and service must be performed by a qualified installer, service agency, or the gas supplier.

WARNING: Improper installation, adjustment, alteration, service, or maintenance can cause injury or property damage. Refer to this manual for correct installation and operational procedures. For assistance or additional information consult a qualified installer, service agency, or the gas supplier.

WARNING: For use only with decorative type unvented room heaters. Do not build a wood fire.

This firebox has been tested and approved by I.A.S. under their REQ. 2-97 for use with any ANS Z21.11.2 approved gas logs.

This firebox may be installed in an aftermarket* manufactured (mobile) home, where not prohibited by state or local codes.


* Aftermarket: Completion of sale, not for purpose of resale, from the manufacturer (i.e. Installation of this product is permitted after the manufactured (mobile) home is sited).


Save this manual for future reference.

SAFETY INFORMATION

WARNINGS

IMPORTANT: Read this owner's manual carefully and completely before trying to assemble, operate, or service this firebox. Improper use of this firebox can cause serious injury or death from burns, fire, explosion, electrical shock, or carbon monoxide poisoning.

 CAUTION: Carefully review the instructions supplied with the decorative type unvented room heater for the minimum firebox size requirement. Do not install the appliance in this firebox unless this firebox meets the minimum dimensions required for the installation.

 WARNING: Any change to this firebox or its controls can be dangerous.

1. This firebox shall not be installed in a bedroom or bathroom.
2. Never install the firebox
 - in a recreational vehicle
 - where curtains, furniture, clothing, or other flammable objects are less than 36 inches from the front, top, or sides of the firebox
 - in high traffic areas
 - in windy or drafty areas
3. Do not use this firebox as a wood-burning fireplace. Use only decorative unvented room heaters (log sets).
4. Do not add extra logs or ornaments such as pine cones, vermiculite, or rock wool. Using these added items can cause sooting.
5. You must operate this fireplace with the provided fireplace screens, hoods, and brick liners in place. Make sure these parts are in place and screens are closed before running firebox. The supplied hoods may not be replaced with hoods which may be provided with a log heater.
6. Do not allow fans to blow directly into the firebox. Avoid any drafts that alter burner flame patterns. Ceiling fans can create drafts that alter burner flame patterns. Altered burner patterns can cause sooting.
7. Do not use a blower insert, heat exchanger insert or other accessory not approved for use with this firebox. Use only the provided hoods, or appropriate polished brass hood accessories. See *Accessories* on page 15.
8. Vent-free gas log heaters installed in this firebox require fresh air ventilation to run properly. See *Air for Combustion and Ventilation*, pages 4 through 6.
9. Do not run firebox
 - where flammable liquids or vapors are used or stored
 - under dusty conditions
10. Do not use this firebox to cook food or burn paper or other objects.
11. Never place any objects in the firebox or on logs.
12. Firebox fronts and screens becomes very hot when running firebox. Keep children and adults away from hot surfaces to avoid burns or clothing ignition. Firebox will remain hot for a time after shutdown. Allow surfaces to cool before touching.
13. Carefully supervise young children when they are in the room with firebox.
14. Turn firebox off and let cool before servicing. Only a qualified service person should service and repair firebox.
15. Operating vent-free logs above elevations of 4,500 feet could cause pilot outage.
16. Do not use the firebox if it has been under water due to the shock hazard that could result with the blower accessory (if installed) in place.

LOCAL CODES

Install and use firebox with care. Follow all local codes. In the absence of local codes, use the latest edition of *The National Fuel Gas Code ANS Z223.1*, also known as NFPA 54*. Firebox must be electrically grounded in accordance with the *National Electrical Code, ANS/NFPA70* (latest edition).

*Available from:

American National Standards Institute, Inc.
1430 Broadway
New York, NY 10018

National Fire Protection Association, Inc.
Batterymarch Park
Quincy, MA 02269

UNPACKING

1. Remove all protective packaging from inside firebox. Carefully lift the firebox off the bottom corrugated tray.
2. Carton should contain 3 deflective hoods and hardware packet in addition to firebox assembly. If items are missing, inform dealer where you bought firebox.
3. Check all items for any shipping damage. If damaged, promptly inform dealer where you bought firebox.

NOTICE: The firebox identification label (including model number, serial number, clearances, etc.) is located directly above the brick liner and under the heat shield. See Figure 20, page 14.

PRODUCT FEATURES

OPERATION

This firebox is designed for use with approved ANS Z21.11.2 decorative type unvented multisided room heaters. (Physical size limitations apply. Refer to minimum firebox requirements supplied with log heater.) The maximum size log this firebox will accept is: width of 32", depth of 19", and height of 17".

This firebox requires no outside venting or chimney making installation easy and inexpensive. When used without the blower, the firebox requires no electricity making it ideal for emergency backup heat.

BLOWER ACCESSORY

The FBPS firebox will accept the GA3500A accessory. The variable blower allows you to select the fan speed you desire. The blower circulates heated air from the firebox into the room. Use of blower is optional.

BRICK LINER

This firebox features a concrete brick liner. As with all concrete liners, this liner may develop slight cracks when exposed to heat. These cracks will not affect the performance of the firebox or vent-free gas logs.

PRODUCT SPECIFICATIONS

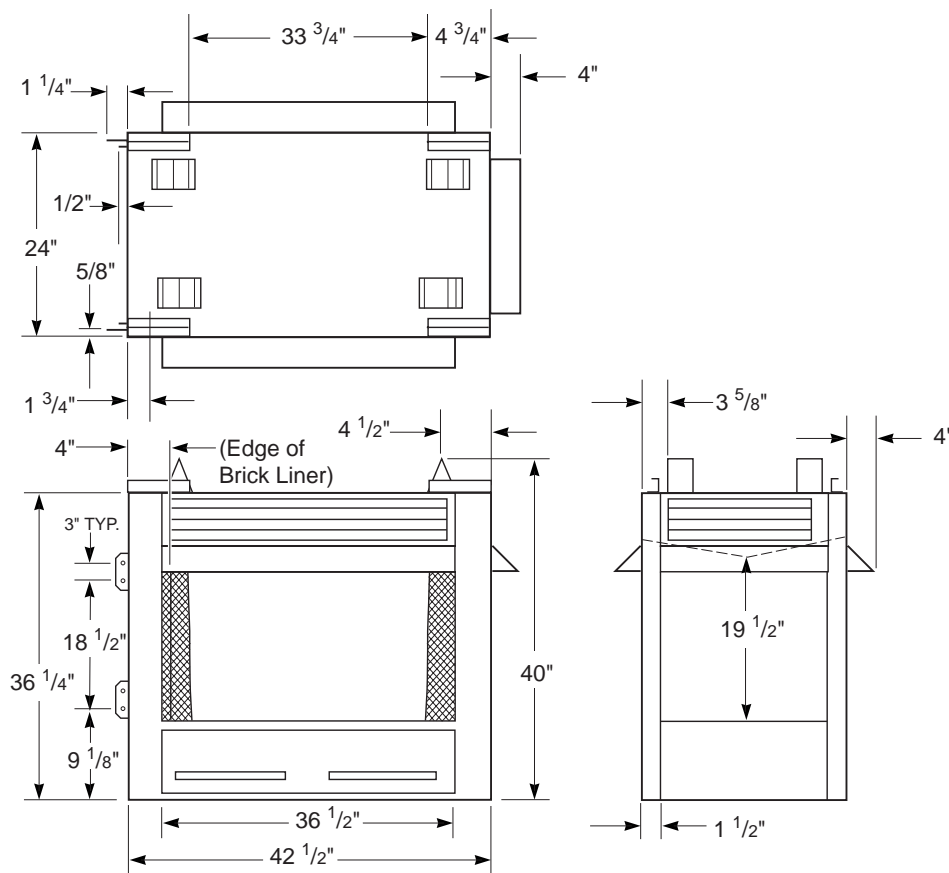


Figure 1 - Peninsula (Three-Sided) Firebox

LOCATING FIREBOX Planning

Plan where you will install the firebox. This will save time and money later when you install the firebox. Before installation, consider the following:

1. Where the firebox will be located. Allow for wall and ceiling clearances (see *Installation Clearances*, page 7).
2. Everything needed to complete installation.
3. These models CANNOT be installed in a bedroom or bathroom.
4. Proper air for combustion and ventilation.
5. Consider a location where heat output would not be affected by drafts, air condition ducts, windows or doors.
6. A location that minimizes modifications on existing framing will make installation easier.

Projected installations can extend any distance into the room. A projection may be ideal as a partition between two otherwise common areas when added to an existing, finished wall (see Figure 2). Optional GT109U firebox top is available (see *Accessories*, page 15).

Internal wall installation provides a discreet viewing option between two adjacent rooms or within an added wall to subdivide an oversize room.

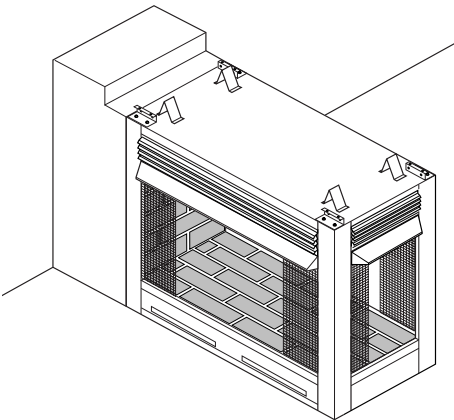


Figure 2 - Projected Installation

AIR FOR COMBUSTION AND VENTILATION

WARNING: This firebox shall not be installed in a confined space or unusually tight construction unless provisions are provided for adequate combustion and ventilation air. Read the following instructions to insure proper fresh air for this and other fuel-burning appliances in your home.

Today's homes are built more energy efficient than ever. New materials, increased insulation, and new construction methods help reduce heat loss in homes. Home owners weather strip and caulk around windows and doors to keep the cold air out and the warm air in. During heating months, home owners want their homes as airtight as possible.

While it is good to make your home energy efficient, your home needs to breathe. Fresh air must enter your home. All fuel-burning appliances need fresh air for proper combustion and ventilation.

Exhaust fans, fireboxes, clothes dryers, and fuel burning appliances draw air from the house to operate. You must provide adequate fresh air for these appliances. This will insure proper venting of vented fuel-burning appliances.

PROVIDING ADEQUATE VENTILATION

The following are excerpts from *National Fuel Gas Code, NFPA 54/ANS Z223.1, Section 5.3, Air for Combustion and Ventilation*.

All spaces in homes fall into one of the three following ventilation classifications:

1. Unusually Tight Construction
2. Unconfined Space
3. Confined Space

The information on pages 4 through 6 will help you classify your space and provide adequate ventilation.

Unusually Tight Construction

The air that leaks around doors and windows may provide enough fresh air for combustion and ventilation. However, in buildings of unusually tight construction, you must provide additional fresh air.

Unusually tight construction is defined as construction where:

- a. walls and ceilings exposed to the outside atmosphere have a continuous water vapor retarder with a rating of one perm (6×10^{-11} kg per pa-sec- m^2) or less with openings gasketed or sealed and
- b. weather stripping has been added on openable windows and doors and
- c. caulking or sealants are applied to areas such as joints around window and door frames, between sole plates and floors, between wall-ceiling joints, between wall panels, at penetrations for plumbing, electrical, and gas lines, and at other openings.

If your home meets all of the three criteria above, you must provide additional fresh air. See *Ventilation Air From Outdoors*, page 6.

If your home does not meet all of the three criteria above, proceed to *Determining Fresh-Air Flow for Firebox Location*, page 5.

Confined and Unconfined Space

The National Fuel Gas Code (ANS Z223.1, 1992 Section 5.3) defines a confined space as a space whose volume is less than 50 cubic feet per 1,000 Btu per hour (4.8 m^3 per kw) of the aggregate input rating of all appliances installed in that space and an unconfined space as a space whose volume is not less than 50 cubic feet per 1,000 Btu per hour (4.8 m^3 per kw) of the aggregate input rating of all appliances installed in that space. Rooms communicating directly with the space in which the appliances are installed*, through openings not furnished with doors, are considered a part of the unconfined space.

This heater shall not be installed in a confined space or unusually tight construction unless provisions are provided for adequate combustion and ventilation air.

* Adjoining rooms are communicating only if there are doorless passageways or ventilation grills between them.

AIR FOR COMBUSTION AND VENTILATION

Continued

DETERMINING FRESH-AIR FLOW FOR FIREBOX LOCATION

Determining if You Have a Confined or Unconfined Space

Use this work sheet to determine if you have a confined or unconfined space.

Space: Includes the room in which you will install firebox plus any adjoining rooms with doorless passageways or ventilation grills between the rooms.

1. Determine the volume of the space (length x width x height).

Length x Width x Height = _____ cu. ft. (volume of space)

Example: Space size 22 ft. (length) x 18 ft. (width) x 8 ft. (ceiling height) = 3168 cu. ft. (volume of space)

If additional ventilation to adjoining room is supplied with grills or openings, add the volume of these rooms to the total volume of the space.

2. Divide the space volume by 50 cubic feet to determine the maximum Btu/Hr the space can support.

_____ (volume of space) ÷ 50 cu. ft. = (Maximum Btu/Hr the space can support)

Example: 3168 cu. ft. (volume of space) ÷ 50 cu. ft. = 63.3 or 63,300 (maximum Btu/Hr the space can support)

3. Add the Btu/Hr of all fuel burning appliances in the space.

Gas water heater* _____ Btu/Hr

Gas furnace _____ Btu/Hr

Vented gas heater _____ Btu/Hr

Gas firebox logs _____ Btu/Hr

Other gas appliances* + _____ Btu/Hr

Total = _____ Btu/Hr

Example:

Gas water heater 40,000 Btu/Hr

Gas firebox logs + 39,000 Btu/Hr

Total = 79,000 Btu/Hr

* Do not include direct-vent gas appliances. Direct-vent draws combustion air from the outdoors and vents to the outdoors.

4. Compare the maximum Btu/Hr the space can support with the actual amount of Btu/Hr used.

_____ Btu/Hr (maximum the space can support)

_____ Btu/Hr (actual amount of Btu/Hr used)

Example: 63,300 Btu/Hr (maximum the space can support)

79,000 Btu/Hr (actual amount of Btu/Hr used)

The space in the above example is a confined space because the actual Btu/Hr used is more than the maximum Btu/Hr the space can support. You must provide additional fresh air. Your options are as follows:

- A. Rework work sheet, adding the space of an adjoining room. If the extra space provides an unconfined space, remove door to adjoining room or add ventilation grills between rooms. See *Ventilation Air from Inside Building*, page 6.
- B. Vent room directly to the outdoors. See *Ventilation Air from Outdoors*, page 6.
- C. Install a lower Btu/Hr gas log heater, if lower Btu/Hr size makes room unconfined.

If the actual Btu/Hr used is less than the maximum Btu/Hr the space can support, the space is an unconfined space. You will need no additional fresh air ventilation.

⚠ WARNING: If the area in which the firebox and gas log heater may be operated is smaller than that defined as an unconfined space or if the building is of unusually tight construction, provide adequate combustion and ventilation air by one of the methods described in the *National Fuel Gas Code, ANS Z223.1, 1992, Section 5.3* or applicable local codes.

Continued

AIR FOR COMBUSTION AND VENTILATION

Continued

VENTILATION AIR

Ventilation Air From Inside Building

This fresh air would come from an adjoining unconfined space. When ventilating to an adjoining unconfined space, you must provide two permanent openings: one within 12" of the ceiling and one within 12" of the floor on the wall connecting the two spaces (see option 1, Figure 3). You can also remove door into adjoining room (see option 2, Figure 3). Follow the *National Fuel Gas Code NFPA 54/ANS Z223.1, Section 5.3, Air for Combustion and Ventilation* for required size of ventilation grills or ducts.

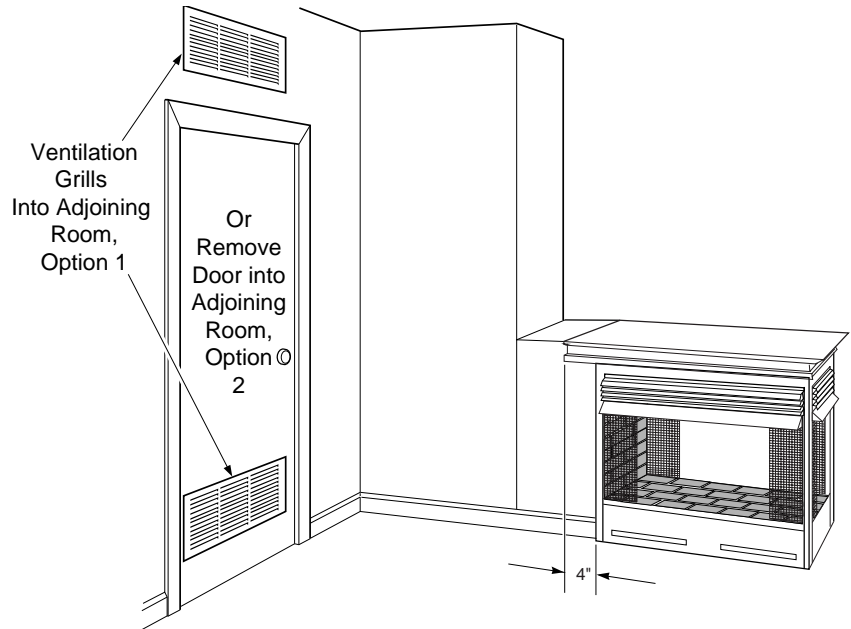


Figure 3 - Ventilation Air from Inside Building

⚠ WARNING: Rework worksheet, adding the space of the adjoining unconfined space. The combined spaces must have enough fresh air to supply all appliances in both spaces.

Ventilation Air From Outdoors

Provide extra fresh air by using ventilation grills or ducts. You must provide two permanent openings: one within 12" of the ceiling and one within 12" of the floor. Connect these items directly to the outdoors or spaces open to the outdoors. These spaces include attics and crawl spaces.

IMPORTANT: Do not provide openings for inlet or outlet air into attic if attic has a thermostat-controlled power vent. Heated air entering the attic will activate the power vent.

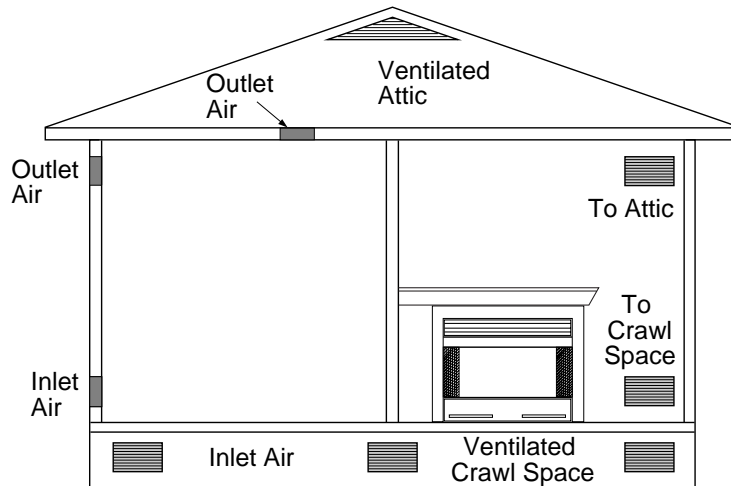


Figure 4 - Ventilation Air from Outdoors

INSTALLATION

NOTICE: This firebox in combination with unvented logsets are intended for use as supplemental heat. Use along with your primary heating system. Do not install them as your primary heat source. If you have a central heating system, you may run system's circulating blower while using heater. This will help circulate the heat throughout the house. In the event of a power outage, you can use unvented logs as your primary heat source.

WARNING: A qualified service person must install firebox. Follow all local codes.

WARNING: Never install the firebox

- in a bedroom or bathroom
- in a recreational vehicle
- where curtains, furniture, clothing, or other flammable objects are less than 42 inches from the front, top, or sides of the firebox
- in high traffic areas
- in windy or drafty areas

CAUTION: Log heaters installed in this firebox create warm air currents. These currents move heat to wall surfaces next to firebox. Installing firebox next to vinyl or cloth wall coverings or operating firebox where impurities (such as tobacco smoke, aromatic candles, cleaning fluids, oil or kerosene lamps, etc.) in the air exist, may discolor walls.

IMPORTANT: Vent-free gas log heaters add moisture to the air. Although this is beneficial, installing firebox in rooms without enough ventilation air may cause mildew to form from too much moisture. See *Air for Combustion and Ventilation*, pages 4 through 6.

IMPORTANT: Make sure the firebox is level. If firebox is not level, log set will not work properly.

Note: Your Vanguard firebox is designed to be used in zero clearance installations. Wall or framing material can be placed against any

exterior surface on the rear or top of your firebox, except where standoff spacers are integrally attached. If standoff spacers are attached to your firebox, these spacers can be placed directly against wall or framing materials.

Use dimensions shown for rough openings to create the easiest installation (see *Built-In or Internal Wall Firebox Installation*, page 8).

INSTALLATION CLEARANCES

WARNING: Maintain the minimum clearances. If you can, provide greater clearances from floor, ceiling, and adjoining wall.

Carefully follow the instructions below. This will ensure safe installation.

Minimum Wall and Ceiling Clearances (see Figures 5 and 6)

- Clearances from the edge of brick liner to any combustible wall should not be less than 8 inches (see Figure 5).
- Clearances from the top of the firebox hoods to the ceiling should not be less than 42 inches.
- When the firebox is installed on carpeting or other combustible material,

other than wood flooring, the firebox should be installed on a metal or wood panel extending the full width and depth of the enclosure.

- Clearances from the bottom of firebox to the floor is 0 inches.
- Clearances from the open end of the firebox to the facing wall should not be less than 36 inches.

CAUTION: Do not install the firebox directly on carpet or vinyl.

CAUTION: Use only the clearances specified in this manual or on the firebox rating plate.

Minimum clearances to combustibles are:

- Back of outer casing 0" min.
- Drywall to sides and top of front face 0" min.
- Ceiling to opening 42" min.
- Floor (see *Minimum Wall and Ceiling Clearances*, note C.) 0" min.
- Perpendicular walls, Right and Left 4" min.
- Distance to Facing Walls on Sides and End of Firebox 36" min.

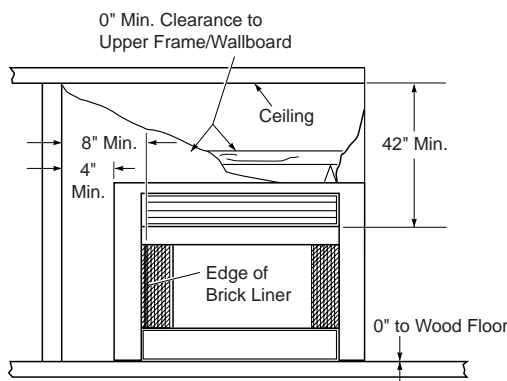


Figure 5 - Minimum Clearance - Front View

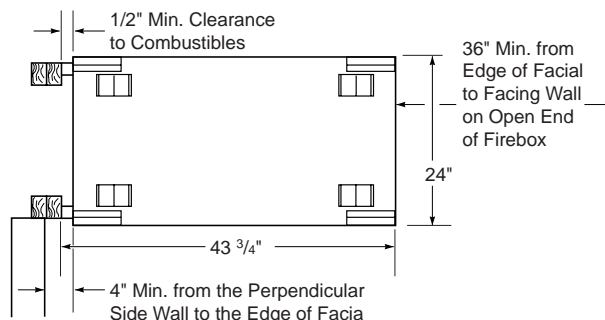


Figure 6 - Minimum Clearance - Top View

Continued

INSTALLATION

Continued

Mantel Clearances for Projected Built-In Installation

If placing custom mantel above built-in firebox, you must meet the minimum allowable clearance between mantel shelf and top of firebox hood shown in Figure 7. These are the minimum allowable mantel clearances for a safe installation. Use larger clearances wherever possible to minimize the heating of objects and materials placed on the mantel.

CAUTION: Do not allow the vent-free gas log heater to touch or extend beyond the firebox screen.

If your installation does not meet the minimum clearances shown in Figure 7, you must:

- raise the mantel to an acceptable height,
- OR
- remove the mantel.

BUILT-IN OR INTERNAL WALL FIREBOX INSTALLATION

Built-in installation of this firebox involves installing firebox into a framed-in enclosure. This makes the front of firebox flush with wall. If installing a mantel above the firebox, you must follow the clearances shown in Figure 7. Follow the instructions below to install the firebox in this manner.

1. Frame in rough opening. The firebox framing should be constructed of 2 x 4 lumber or heavier. Construct framing using dimensions shown in Figure 8 and Figure 9, page 9. It is recommended that the framing be constructed first and the unit be placed in position. After sliding the unit into place, the flanges may be nailed to the framing before applying the wallboard to the exterior framing.
2. If the vent-free firebox is to be installed directly on carpeting, tile (other than ceramic), or any combustible material other than wood flooring; the vent-free firebox must be installed upon a metal or wood panel extending the full width and depth of the vent-free firebox.

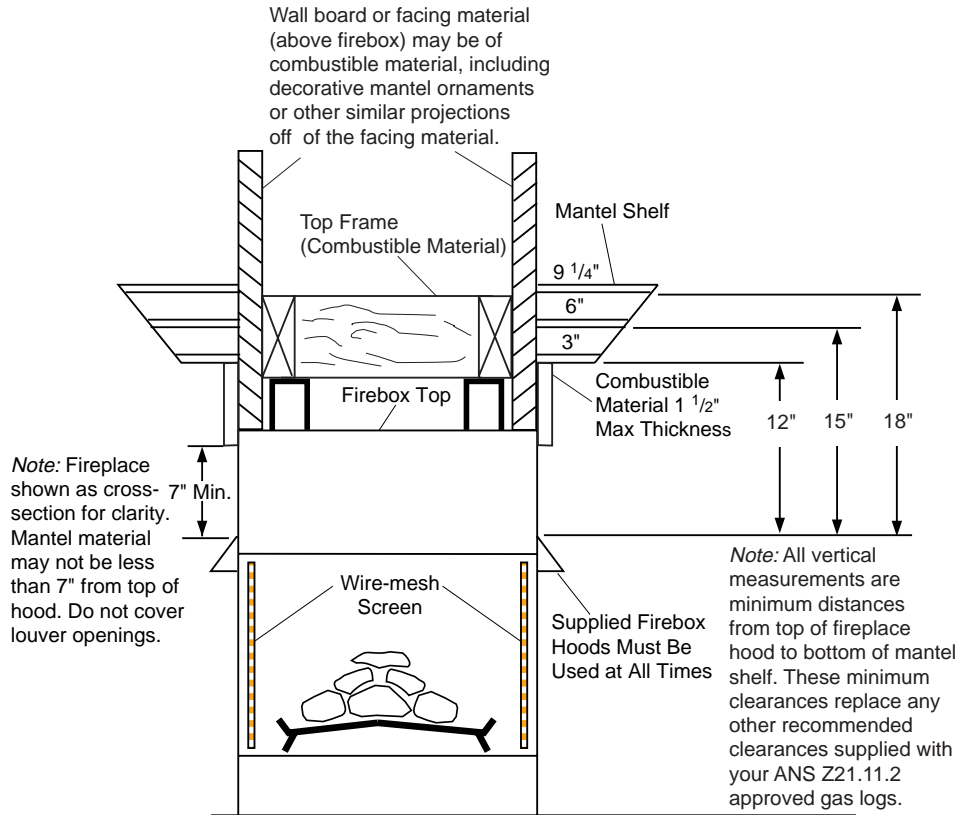


Figure 7 - Minimum Mantel Clearances for Projected or Built-In Installation

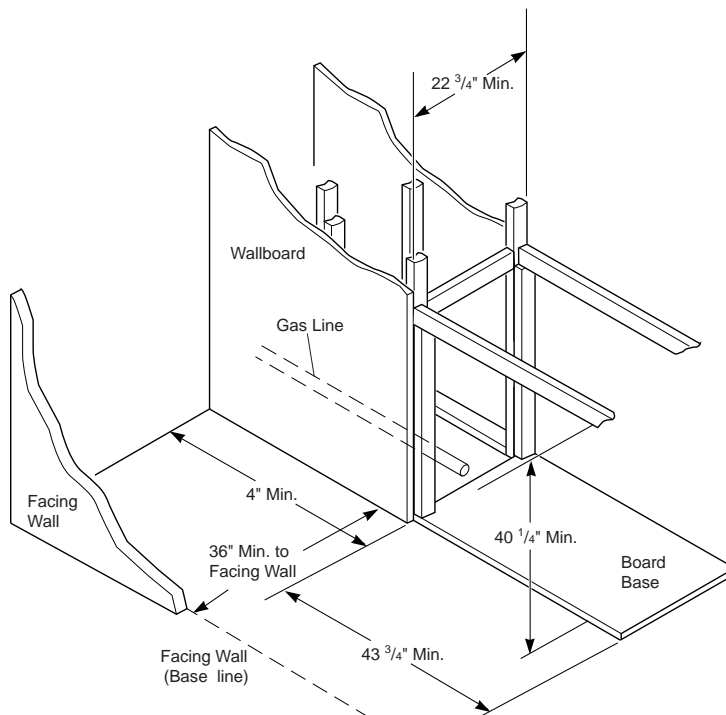


Figure 8 - Framing for Built-In or Internal Wall Firebox Installation

INSTALLATION

Continued

3. If a raised platform is to be constructed, ceiling clearances must be maintained.
4. Install gas piping to firebox location. See *Installing Gas Line* on page 10 and *Connecting to Gas Supply* in log set owner's manual.

IMPORTANT: If installing blower accessory. See *Hard-Wiring Firebox*, page 11.

5. Carefully set firebox in front of rough opening.
6. Carefully insert firebox into rough opening.
7. Attach firebox to wall studs using nails or wood screws through holes in nailing flange (see Figure 10). Attach firebox to board base through holes in firebox bottom (see Figure 10).

IMPORTANT: When finishing your firebox, combustible materials such as wall board, gypsum board, sheet rock, drywall, plywood, etc. may be butted up next to the side and top of the firebox. Combustible materials should never overlap the firebox front facing more than 3/8".

⚠ WARNING: Do not allow any combustible materials to overlap the firebox front facing (see Figure 9).

IMPORTANT: Noncombustible materials such as brick, tile, etc. may overlap the front facing, but should never cover any necessary openings like louvered slots.

⚠ WARNING: Never modify or cover the louvered slots on the front of the firebox.

⚠ WARNING: Use only noncombustible mortar or adhesives when overlapping the front facing with noncombustible facing material.

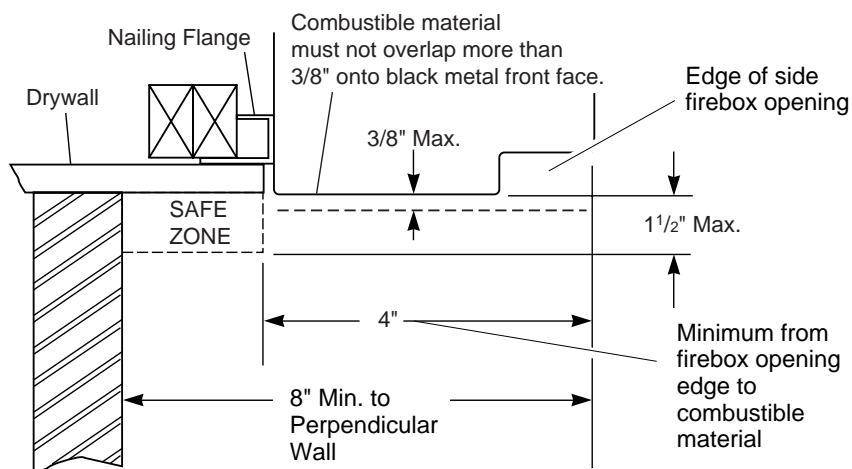


Figure 9 - Framing for Built-In Firebox Installation: Top View

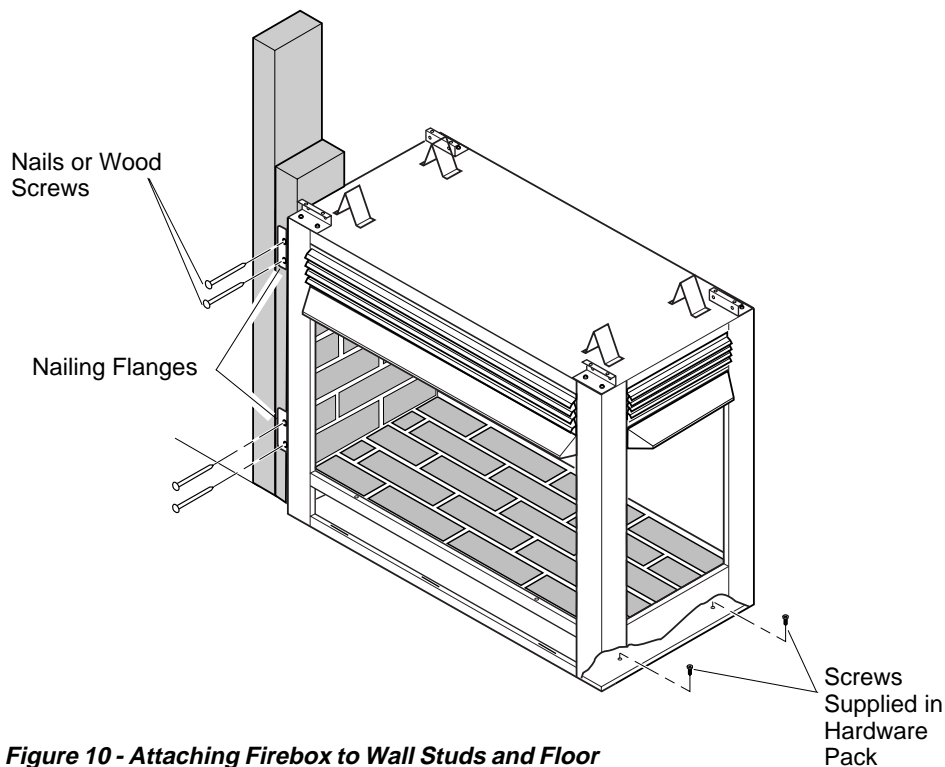


Figure 10 - Attaching Firebox to Wall Studs and Floor

Continued

VANGUARD

UNVENTED (VENT-FREE) LOGMATE® FIREBOX

INSTALLATION

Continued

INSTALLING GAS LINE

⚠ WARNING: A qualified service person must connect heater to gas supply. Follow all local codes.

IMPORTANT: See *Connecting to Gas Supply* in your log set owner's manual for details on gas hookup.

Figure 11 shows the typical installation for the gas line. When you have determined how the gas line will run, locate the recessed knockout in the firebrick floor (see Figure 12). Firmly tap the center of the knockout with a chisel until it is released. Carefully chisel the rough edges of the hole you have made to smooth edges. This hole will line up with the hole in the metal floor.

⚠ CAUTION: Do not use excessive force to remove the knockout. Too much force may damage the firebrick concrete insert.

A manual shutoff valve, AGA certified and complying with the *National Fuel Gas code, ANS Z223.1-latest edition*, must be included within (6') six feet of the vent-free firebox gas supply system. It may be convenient to install the gas shutoff outside the vent-free firebox enclosure where it can be accessed with a key through a wall as shown in Figure 13. Depending on the type of installation, some local codes may require you to install two (2) manual shutoff valves independently accessible from both rooms. Check your local codes for applicable installation requirements.

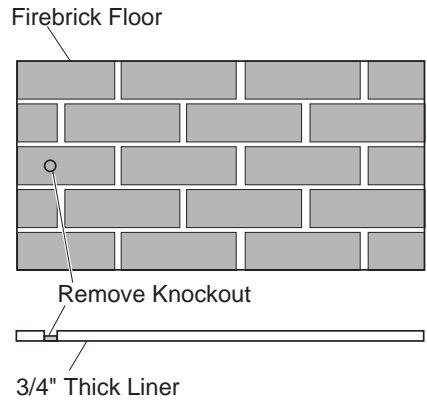


Figure 12 - Location of Knockout for Gas Line

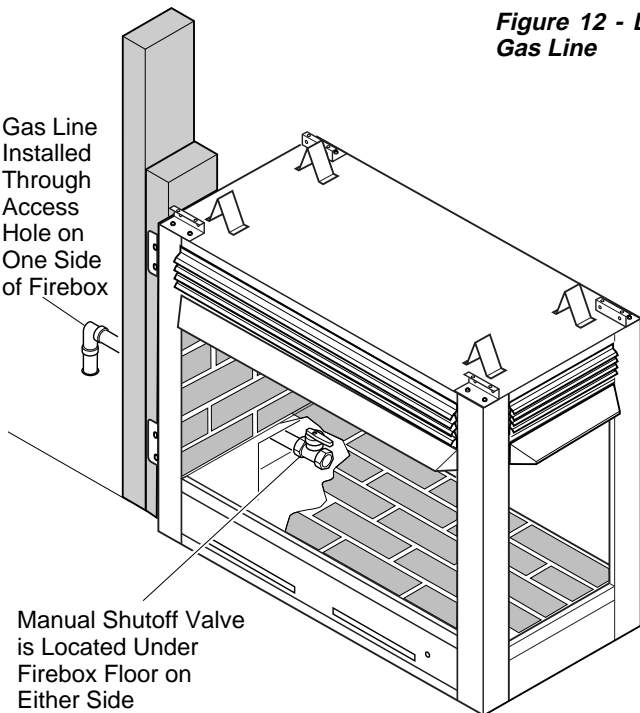


Figure 11 - Installing Gas Line and Manual Shutoff Valve

A 36" long 1/2" NPT SCHD 40 flexible gas connector line complying with the *National Fuel Gas code ANS Z223.1-latest edition*, may be run from the regulator to the incoming 1/2" NPT black iron gas line. You may also route the incoming 1/2" NPT black iron gas line directly to the appliance regulator.

Remove the gas line cover plate from the vent-free firebox's outer surround and route the gas line into the rear of the firebox (see Figure 11).

If a sediment trap is not incorporated as a part of the gas utilization equipment, one shall be installed as close to the inlet of the equipment as practical at the time of installation, as per ANS Z223.1-latest edition. See Figure 14, page 11.

Prepare incoming black iron gas line with Teflon tape or pipe joint compound (check with local codes as to the use of Teflon tape). Compounds used on threaded joints of gas piping shall be resistant to the action of propane/LP and should be applied lightly to ensure excess sealant does not enter the gas line.

Complete your gas installation by connecting the incoming gas line to the appliance regulator. Secure all joints tightly with wrench but do not overtighten. If a flexible gas line is used, take care not to kink the connector.

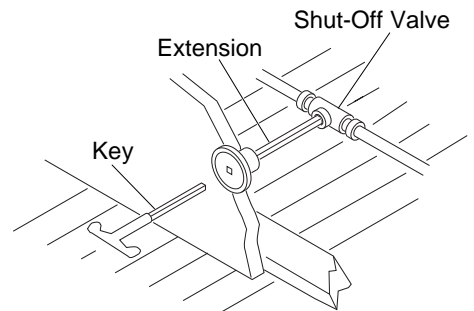


Figure 13 - Typical Exterior Wall Gas Shut-Off Installation

INSTALLATION

Continued

⚠ WARNING: All gas piping and connections must be tested for leaks after the installation is completed. After ensuring that the manual shutoff gas valve is open, apply a soap and water solution to all connections and joints. If bubbles appear, leaks can be detected and corrected. DO NOT USE OPEN FLAME FOR LEAK TESTING AND DO NOT OPERATE ANY APPLIANCE IF A LEAK IS DETECTED.

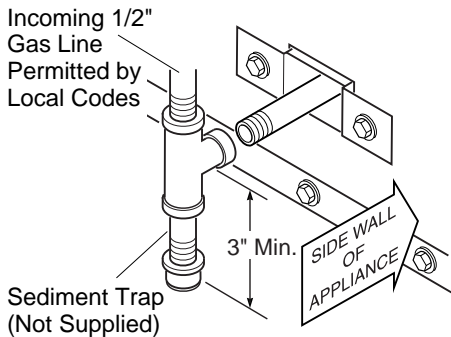


Figure 14 - Sediment Trap Installation

GAS SUPPLY TESTING

Note: This section is intended as a guide for qualified technicians installing gas to this vent-free firebox.

⚠ CAUTION: Do not connect vent-free heater before pressure testing gas piping. Damage to gas valve may result and an unsafe condition may be caused.

The appliance and its shutoff valve must be disconnected from the gas supply piping system during any pressure testing of that system at test pressures in excess of 1/2 psig (3.5 kPa).

The appliance must be isolated from the gas supply piping system by closing manual shutoff valve during any pressure testing of the gas supply piping system at test pressures equal to or less than 1/2 psig (3.5 kPa).

HARD-WIRING FIREBOX

Model FBPS can be hard-wired to the duplex outlet located inside the firebox bottom if desired. This allows the blower accessory to be plugged into the duplex outlet.

NOTICE: A qualified electrician must connect electrical wiring to duplex outlet for built-in installation. Follow all local codes. In absence of local codes follow *The National Electric Code ANS/NFPA 70.*

ELECTRICAL INSTALLATION

A model GA3500A blower system assembly is available for use with the FBPS vent-free firebox as an optional accessory. This blower is designed to be installed on the wall side of the FBPS firebox, when provisions for a 120 VAC supply connection are made at the end of the cabinet. Use of a blower system other than those manufactured by DESA International voids the warranty.

Electrical connections are made within the receptacle with wires that are routed through the bushing provided (see Figure 15). The receptacle may be relocated to either side, when necessary. However, the cover plate must be replaced over the unused access point. Be certain to properly ground the vent-free firebox using the green grounding wire (see Figure 17 on page 12).

Note: A 120V supply connection to the leads to the receptacle must be provided for use with the optional blower kit whether installed during or after initial firebox installation. You may not be able to install a supply connection after the final installation is completed. Refer to *Optional Blower Assembly Installation* on page 12 for specifics.

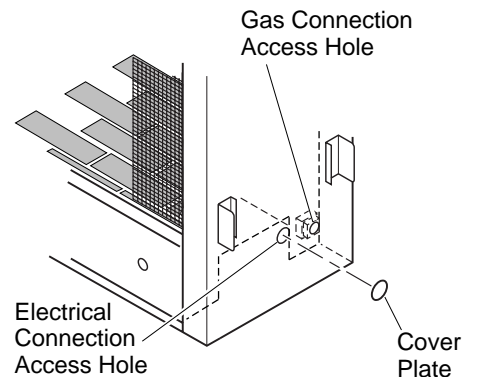


Figure 15 - Locating Electrical Connection and Gas Connection on Wall Side of Fireplace

INSTALLATION

Continued

OPTIONAL BLOWER ASSEMBLY INSTALLATION

Proper installation of the blower system is required to insure that the maximum discharge of air can be delivered through the louvers on each side of the fireplace.

Note: You may perform this installation from either side of the fireplace. The lower door panels are removable from both sides of the firebox for better access.

1. Remove the blower assembly from the packaging and inspect the fan and wiring for damage. If any wiring is loose or damaged, return the assembly for exchange to your dealer or distributor.
2. Remove the 2 screws located at the top of the lower door panel. Slide door panel forward and up to remove tabs on panel from locating slots in firebox (see Figure 16).

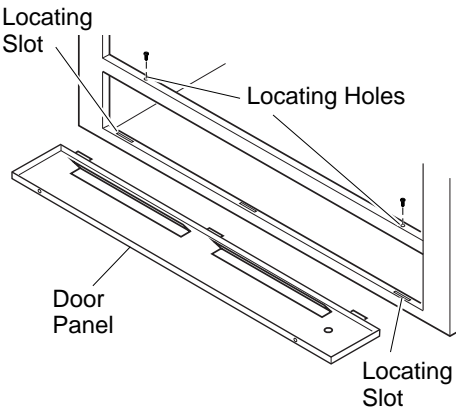
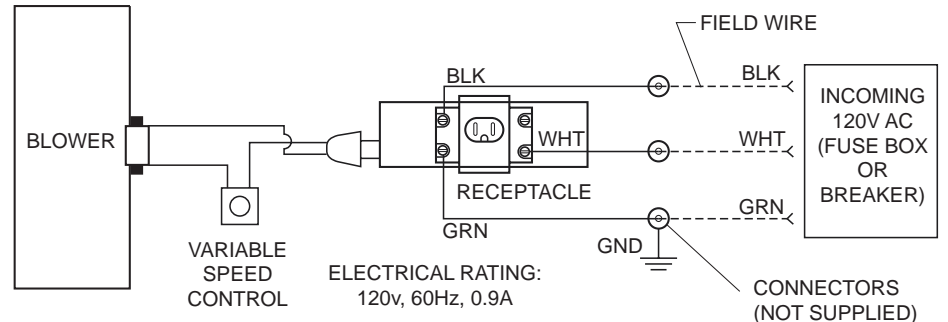


Figure 16 - Removing Lower Door Panel

3. Locate the two strips of hook & loop mounting strips on one side of the base of the lower compartment. Align the mounting strips on blower with mounting strips on base of firebox.
4. Install blower housing with exhaust outlet ports directed upwards along inner side wall of lower compartment. The blower outlets must be installed flush to the outer cabinet for air to flow properly.
5. Apply gentle force between hook & loop mounting strips to seat blower.
6. Remove control knob and lock nut from blower speed control shaft.
7. Place speed control shaft through 3/8" hole provided in right side of lower door panel removed in step 2.
8. While supporting speed control housing, secure shaft in panel hole with lock nut. Place control knob on shaft.
9. Plug blower power cord into receptacle located in lower firebox compartment. Check to make sure there are no foreign objects in blower wheel.
10. Turn blower on and check for proper operation.

WARNING: Never touch the blower wheel while in operation.

11. Turn blower off before continuing.
12. Replace lower door panel by inserting tabs on bottom of panel into locating slots on firebox. Push door panel into an upright position and secure with screws removed in step 2.



Note: If any of the original wire must be replaced, it must be replaced with type TEW minimum 16GA copper wire rated at 105°C

Figure 17 - Optional Blower Wiring Diagram

Operating Optional Blower GA3500A

Light your gas appliance with the blower off. After about 10 minutes, turn the blower on to deliver heated air out the top louvers. The blower features a variable control which allows you to select the blower speed you desire.

Note: Periodically check the louvers of the firebox and remove any dust, dirt, or obstructions.

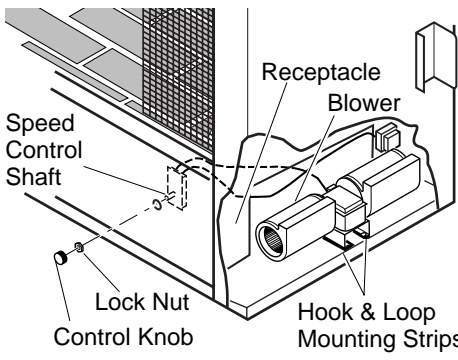


Figure 18 - Installing Optional Blower GA3500A

INSTALLATION

Continued

HEAT DEFLECTIVE HOOD INSTALLATION

The factory supplied heat deflective hoods must be installed inside the fireplace openings on all three sides for the safe operation of the unit as shown in Figure 19.

1. Remove protective covering from hoods.
2. Position deflective hood into opening on one side of the firebox and secure to the top of the opening using screws provided.
3. Secure the ends of the hood to the firebox using two screws (provided) for each side.
4. Repeat steps 2 and 3 to install hoods on the remaining side and end of firebox.

⚠ CAUTION: Do not clean hood with abrasive cleanser. Use only regular household cleaners and a smooth cloth.

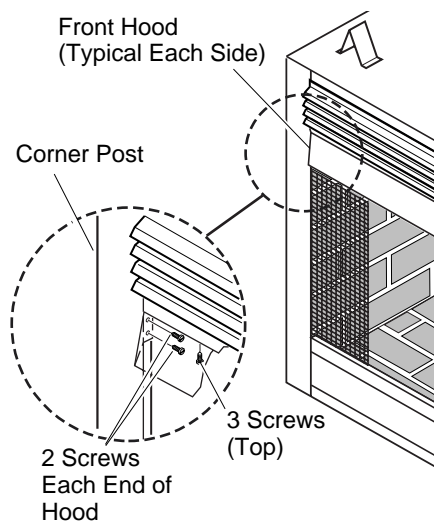


Figure 19- Typical Hood Installation (Both Sides)

OPERATING GUIDELINES & MAINTENANCE INSTRUCTIONS

When lit for the first time, a vent-free log heater will emit a slight odor for about an hour or two. This is a normal occurrence which is due to the "curing" of the logs and the "burn-in" of internal paints and lubricants used in the manufacturing process.

Keep control compartments, logs, burners, and areas surrounding the logs clean by vacuuming or brushing at least twice a year. Temporary removal of the log set may ease the cleaning of the burner and pilot assembly. In cleaning, take care not to alter the settings on the pilot assembly. See the operating instructions supplied with your vent-free log heater for additional cleaning instructions.

⚠ WARNING: Logs can be very hot! Allow logs to cool before handling.

IMPORTANT: Turn off the gas supply at the external shutoff valve before servicing appliance. Any safety screen or guard removed for servicing must be replaced prior to operating the appliance.

Installation and repair should be done by a qualified person. The appliance should be inspected before use and at least annually by a professional service person. More frequent cleaning may be required due to excessive lint from carpeting, pet hair, etc. It is imperative that the control compartments, burners and circulating air passageways of the appliance be kept clean.

⚠ WARNING: Children and adults should be alerted to the hazards of high surface temperatures and to stay away to avoid burns or clothing ignition. Young children should be carefully supervised when they are in the same room as the appliance.

For lighting and operating this vent-free firebox, please refer to the vent-free gas logs manufacturer's instruction manual.

REPLACEMENT PARTS

Note: Use only original replacement parts. This will protect your warranty coverage for parts replaced under warranty.

PARTS UNDER WARRANTY

Contact authorized dealers of this product. If they can't supply original replacement part(s), call DESA International's Technical Service Department at

1-800-DESA LOG (1-800-337-2564).

When calling DESA International, have ready

- your name
- your address
- model and serial numbers of your firebox
- how firebox was malfunctioning
- type of gas used (propane or natural gas)
- purchase date

Usually, we will ask you to return the defective part to the factory.

PARTS NOT UNDER WARRANTY

Contact authorized dealers of this product. If they can't supply original replacement part(s), call DESA International's Parts Department at 1-800-972-7879 for referral information.

When calling DESA International, have ready

- model number of your firebox
- the replacement part number

Note: The firebox identification label (including model number, serial number, clearances, etc.) is located above the brick liner and under the heat shield. See Figure 20.

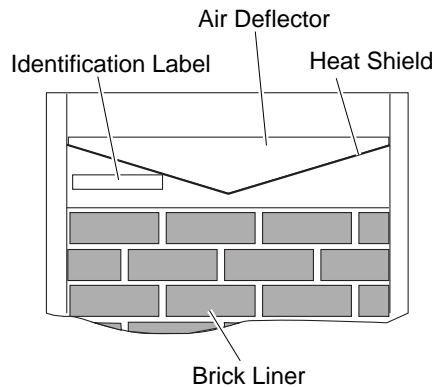


Figure 20 - Location of Firebox Identification Label

TECHNICAL SERVICE

You may have further questions about installation, operation, or troubleshooting.

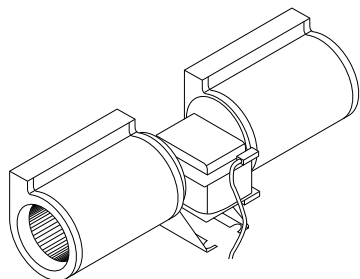
If so, contact DESA International's Technical Service Department at 1-800-DESA LOG (1-800-337-2564).

You can also visit DESA International's Technical Service web site at www.desatech.com.

OWNER'S MANUAL

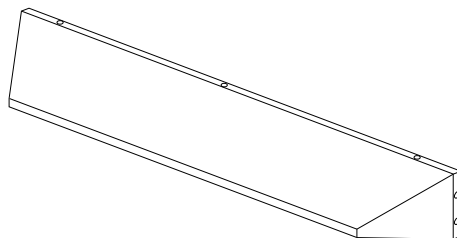
ACCESSORIES

Purchase these firebox accessories from your local dealer. If they can not supply these accessories, call DESA International's Sales Department at 1-800-432-2382 for information. You can also write to the address listed on the back page of this manual.



BLOWER GA3500A

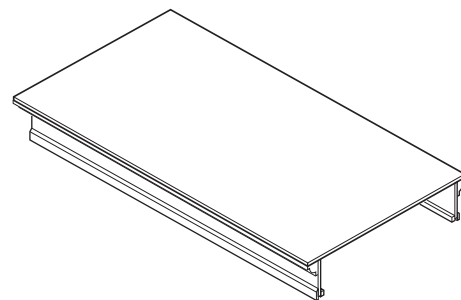
An optional blower is available for use with the FBPS fireboxes for bidirectional heat circulation and may be installed during or after firebox installation.



POLISHED BRASS HOOD

GA6017 (For Firebox End)
GA6054 (For Firebox Sides)

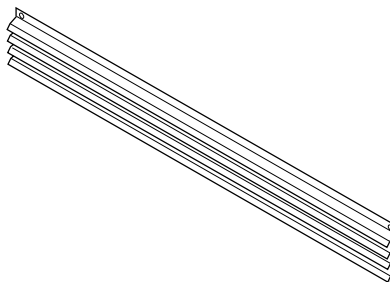
Replaces the standard black hoods to provide a more formal appearance. *Note:* Each kit contains only one hood. Two GA6054 kits and are required to do both sides of firebox.



FIREBOX TOP

GT109U (Unfinished)

Easily installs on top of the peninsula firebox for projected installation. Unfinished oak veneer is ready to paint or stain.



POLISHED BRASS LOUVER

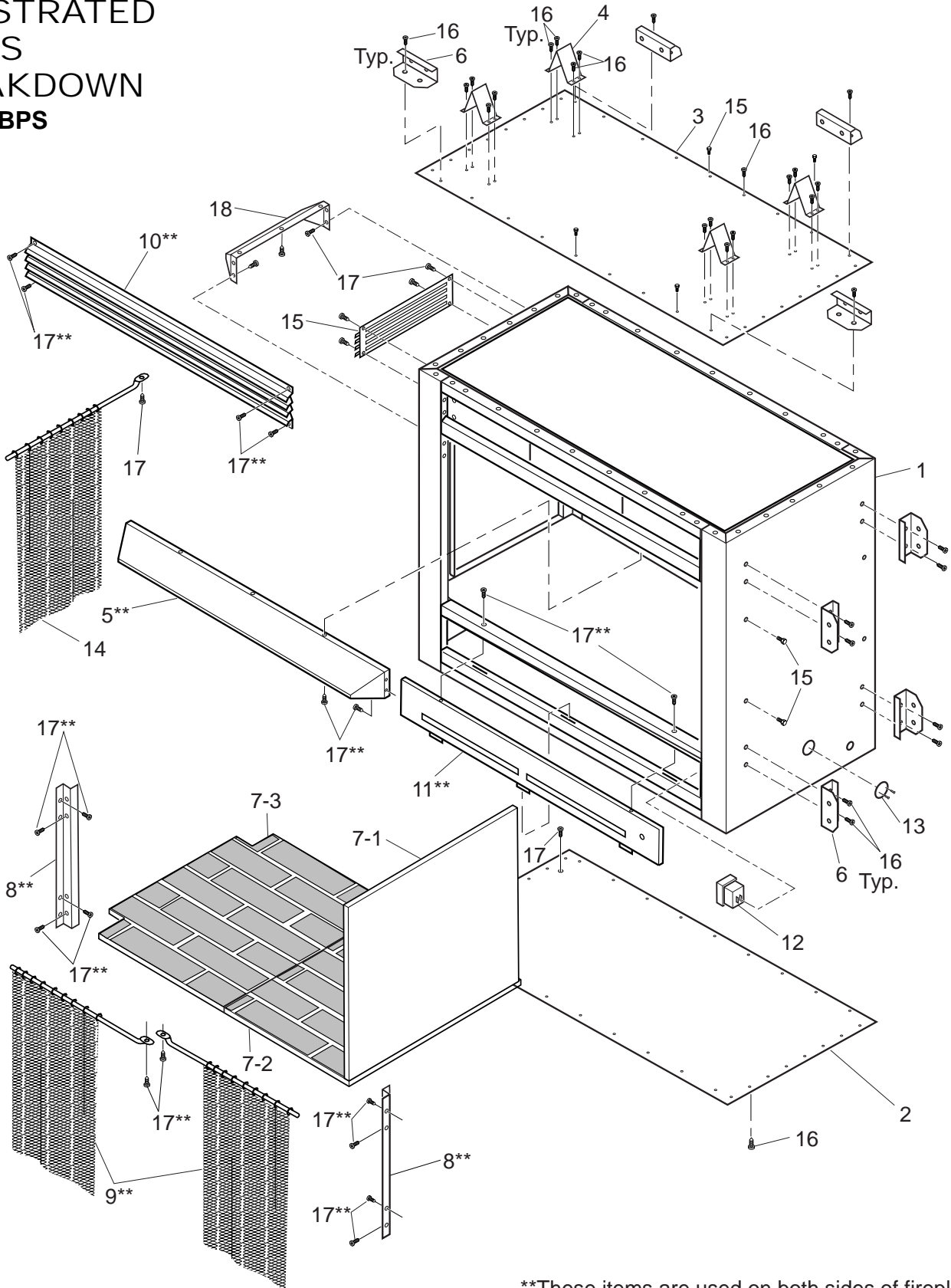
GBL17 (For Firebox End)
GBL41 (For Firebox Side)

Replaces the standard black louvers to provide a more formal appearance. *Note:* Each kit contains only one louver. Two GBL41 kits are required to do both sides of firebox.

VANGUARD

UNVENTED (VENT-FREE) LOGMATE® FIREBOX

ILLUSTRATED PARTS BREAKDOWN Model FBPS



**These items are used on both sides of fireplace.

OWNER'S MANUAL

PARTS LIST

This list contains replaceable parts used in your firebox. When ordering parts, follow the instructions listed under *Replacement Parts* on page 14 of this manual.

Model FBPS

KEY NO.	PART NUMBER	DESCRIPTION	QTY.
	FBPS		
1	26767	Firebox Assembly	1
2	26750	Firebox Bottom	1
3	23966	Firebox Top	1
4	23982	Top Spacer	4
5	26731	Deflector Hood	2
6	26740	Nailing Flange	12
7	02012	3 Piece Brick Liner Kit	1
7-1	02013	Side Refractory Brick Liner	1
7-2	02014	Bottom Refractory Brick Liner	1
7-3	02036	Bottom Refractory Brick Liner (Open End of Firebox)	1
8	24007	Side Refractory Retainer	2
9	12125	Screen	4
10	102455-07	Extruded Louver	2
11	26733	Lower Door Panel	2
12	14200	Receptacle	1
13	21171	Access Hole Cover	3
14	12126	Screen	1
15	26771	Extruded Louver (End)	1
16	11164	Screw, #10 x 1/2, zinc PH	24
17	11165	Screw, #10 x 5/8, zinc PH	67
18	26762	Deflector Hood (End)	1
PARTS AVAILABLE - NOT SHOWN			
	55525	Installation Instructions	1
	55524	Rating Plate Label	1

WARRANTY INFORMATION

KEEP THIS WARRANTY

Model _____

Serial No. _____

Date Purchased _____

Always specify model and serial numbers when communicating with the factory.

We reserve the right to amend these specifications at any time without notice. The only warranty applicable is our standard written warranty. We make no other warranty, expressed or implied.

LIMITED WARRANTY VENT-FREE FIREBOX

DESA International warrants this product to be free from defects in materials and components for four (4) years from the date of first purchase, provided that the product has been properly installed, operated and maintained in accordance with all applicable instructions. To make a claim under this warranty the Bill of Sale or cancelled check must be presented.

This warranty is extended only to the original retail purchaser. This warranty covers the cost of part(s) required to restore this heater to proper operating condition and an allowance for labor when provided by a DESA Authorized Service Center. Warranty part(s) MUST be obtained through authorized dealers of this product and/or DESA International who will provide original factory replacement parts. Failure to use original factory replacement parts voids this warranty. The heater MUST be installed by a qualified installer in accordance with all local codes and instructions furnished with the unit.

This warranty does not apply to parts that are not in original condition because of normal wear and tear, or parts that fail or become damaged as a result of misuse, accidents, lack of proper maintenance or defects caused by improper installation. As with all concrete liners, this liner may develop slight cracks when exposed to heat. This cracking is considered normal. Travel, diagnostic cost, labor, transportation and any and all such other costs related to repairing a defective heater will be the responsibility of the owner.

TO THE FULL EXTENT ALLOWED BY THE LAW OF THE JURISDICTION THAT GOVERNS THE SALE OF THE PRODUCT; THIS EXPRESS WARRANTY EXCLUDES ANY AND ALL OTHER EXPRESSED WARRANTIES AND LIMITS THE DURATION OF ANY AND ALL IMPLIED WARRANTIES, INCLUDING WARRANTIES OF MERCHANTABILITY AND FITNESS FOR A PARTICULAR PURPOSE TO FOUR (4) YEARS ON ALL COMPONENTS FROM THE DATE OF FIRST PURCHASE; AND DESA INTERNATIONAL'S LIABILITY IS HEREBY LIMITED TO THE PURCHASE PRICE OF THE PRODUCT AND DESA INTERNATIONAL SHALL NOT BE LIABLE FOR ANY OTHER DAMAGES WHATSOEVER INCLUDING INDIRECT, INCIDENTAL OR CONSEQUENTIAL DAMAGES.

Some states do not allow a limitation on how long an implied warranty lasts or an exclusion or limitation of incidental or consequential damages, so the above limitation on implied warranties, or exclusion or limitation on damages may not apply to you.

This warranty gives you specific legal rights, and you may also have other rights that vary from state to state.

For information about this warranty write:

DESA
INTERNATIONAL

2701 Industrial Drive
P.O. Box 90004
Bowling Green, KY 42102-9004
www.desatech.com



105163 01

NOT A UPC

105163-01
55525
Rev. B
04/99