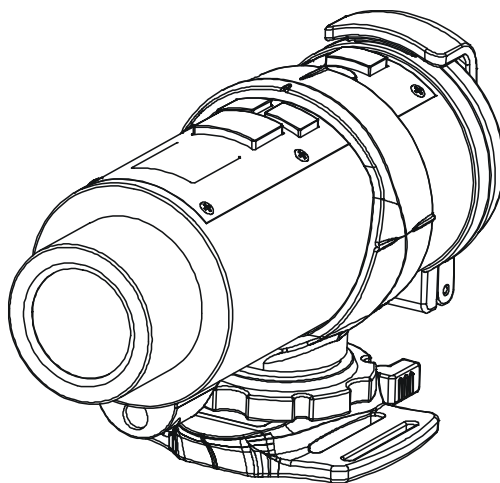




innoXplore iX-C90 HD Digital Video Camera

User Manual



Please read through this user manual before using the product and keep the manual for future use.

This manual is for reference, any later alteration of technical specification and product appearance are without further notice.

Contents

Camera Precaution.....	
Accessories.....	
Camera Description.....	
Camera mounting description.....	
Battery installation.....	
Insert and take out storage card.....	
Battery charge.....	
Button function.....	
Turn on/Off the camera.....	
Turn on the camera.....	
Turn Off the camera.....	
Taking video footage.....	
Menu setting.....	
720P/VGA Switching	
Deleting video footage.....	
TV System Switching	

Time setting	
Set the Year/Month/Date/Hour/Minute...	
Playing back video footage on TV.....	
TV OUT mode.....	
HDMI mode.....	
Connecting to PC&PC CAM.....	
Playing back video footage.....	
PC camera.....	
Troubleshooting	
Technical Specification.....	

Camera Precaution

Notice the following guidelines when you using your camera

- * Before using the camera, please operate it correctly. Or it will cause damage to the internal components.
- * Do not fall or hit the cam, Rough handling may damage the internal components.
- * Do not open the battery cover when recording. Otherwise not only it is unable to save the current video recording document, also possibly damages other video recording documents which already have stored.
- * Make sure install the battery correctly, the error direction of batteries may cause damage to this cam and cause the fire.
- * For your safety, please keep the camera from the children and animals, in order to avoid accident
- * Do not place the camera in a damp or dusty location for extended periods of time. This may cause a fire or an electrical shock.
- * Do not leave the camera in places exposed to extremely high temperatures, such as under direct sunlight for extended periods of time. This may affect the camera housing and internal components
- * We recommend using Alkaline batteries in temperatures between 0 °C to 40°C.
- * Turn off the camera before removing the batteries and the memory card. The card and the data may be damaged if the memory card is inserted or removed while the camera is still on.
- * Remove the batteries and memory card before storing the camera for long periods of time, to avoid power loss and camera damage
- * Clean the lens with a blower (typically a small device with a rubber bulb attached to one end that you pump to produce a stream of air out the other end), or wipe it with a soft cloth in a spiraling motion to remove fingerprints or dust.
- * The temperature rise is normal when digital cameras in use for a long time
- * Do not touch the lens when use the camera, so as to avoid the poor effect
- * Please use the air blower (special lens blowing equipment) to clean lens or use special lens-cleaning cloth to clean fingerprint or dust on the surface.

Accessories

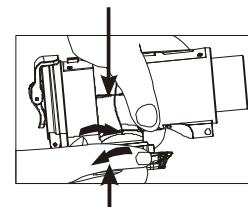
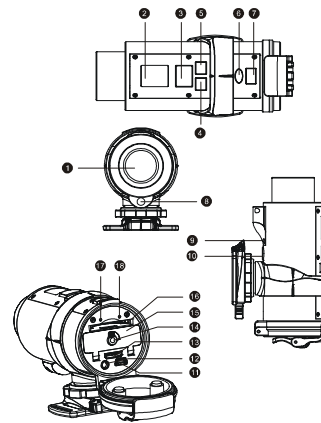
1. Rubber strap
2. Rubber gasket
3. Velcro
4. USB cable
5. TV cable
6. HDMI cable
7. Battery
8. Charger
9. Charge pedestal
10. User manual
11. Driver Disk
12. Remote controller
13. Short Velcro strap
14. Long Velcro strap
15. Helmet grip
16. Handlebar grip
- 17. Suction cup bracket**



Interface introduction

1. Lens
2. LCD screen
3. Shutter key
4. Setting key
5. Mode key

6. Power key
7. Laser light key
8. Laser light
9. Microphone
10. Radiating screw
11. Mini-USB port
12. AV port
13. HDMI port
14. Battery cover knob
15. Battery cover
16. SD card slot
17. Charge indicator light
18. Working indicator light



Camera Mounting Description

The camera can be mounted in a number of ways. (Turn it anti-clockwise to screw tight)

Please follow the methods of mounting as suggested below:

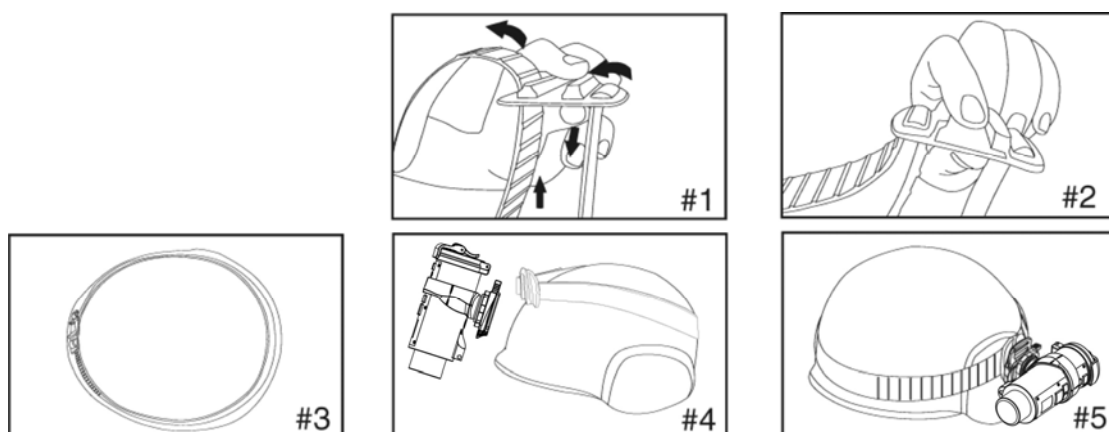
Fixing the position of the camera

- a) Turn it anti-clockwise to screw the camera tight and fix it into position.
- b) Turn it clockwise to unscrew the camera.

Mounting the camera onto the helmet using the silicon rubber strap

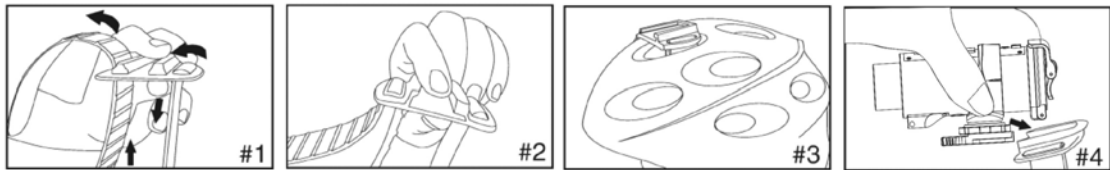
- 1+2. Thread the silicon rubber strap through the helmet grip.
3. Mount the helmet grip to the helmet using the silicon rubber strap.
4. Slide the camera into the helmet grip. Turn it anti-clockwise
5. Adjust the angle of the camera making sure it's tight.

To avoid damaging the camera, the mount lock at the base must be loosened before twisting the camera.



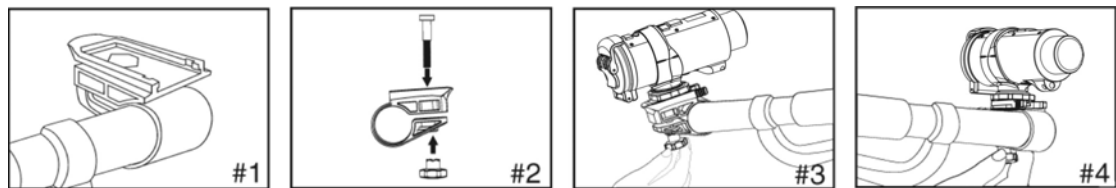
Mounting the camera using the Velcro strap:

- 1+2. Place the helmet grip on the helmet, and thread the Velcro strap through the helmet grip.
3. Secure the Velcro strap by fastening it through the helmet vents.
4. Slide the camera into the helmet grip, then adjust the angle of the camera and make sure it's tight.



Mounting the camera using the handlebar grip:

1. Place the handlebar grip on the handlebar.
2. Add the screw and nut to hold the handlebar grip securely.
3. Slide the camera into the handlebar grip and make sure the handlebar grip is locked with the camera.
4. Adjust the angle of the camera.

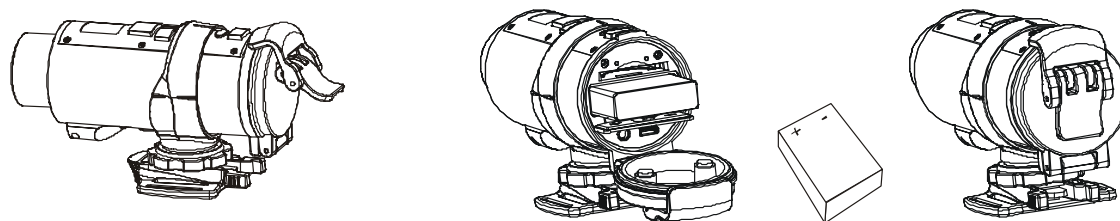


Install and take out battery

Please use the appropriate lithium-ion battery (above 3.7V 1700mAH), any inferior batteries will severely damage the camera.

- 1) Unscrew the cover at the end of the unit.
- 2) Open the battery slot door according to the direction of arrow.
- 3) Insert battery into the battery slot according to the polarity direction as shown.
- 4) Close the battery slot door and twist the clasp.
- 5) Unscrew the cover at the end of the unit and open the battery slot door according to the direction of arrow, when take out the battery.

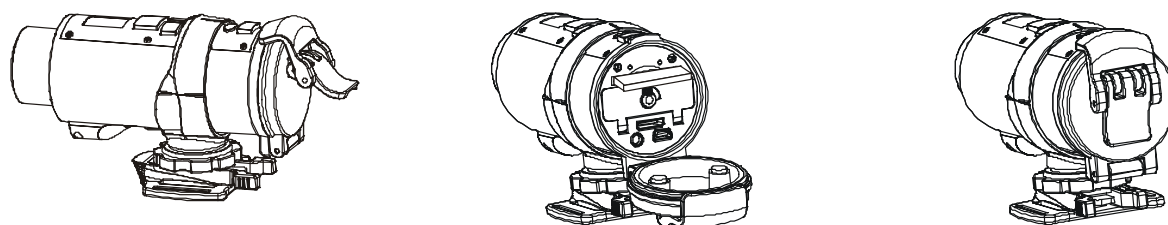
Important: When the battery is low, the low battery icon will appear on the LCD display.
Always upload video footage to your PC prior to replacing batteries to avoid memory loss



Insert and take out storage card

1. Insert storage card

- 1) Open the cover at the end of the unit
- 2) Insert the card according to the direction as show
- 3) Close the cover

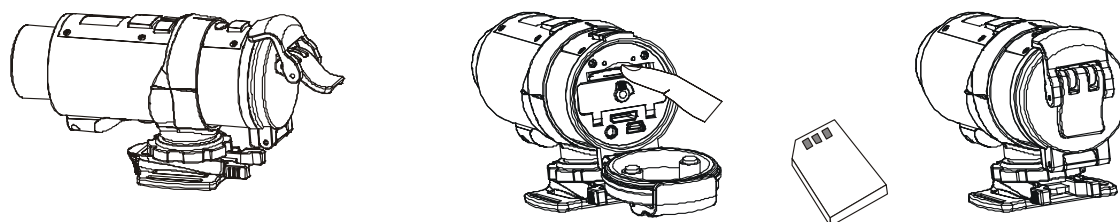


2. Take out the storage card

- 1) Turn off the camera and open the cover at the end of the unit.
- 2) Press the end of the storage card slightly, it will automatically eject.
- 3) Close the cover

Notice :

- a) Before using the SD card, please check whether the key lock on it is locked;
- b) Please confirm the inserting direction of the SD card because reversed inserting may cause damage to the camera and the SD card;



Battery charging

1. Install the battery into the battery slot according to the above methods and close the cover, then connect the charger to the USB port and plug in the power. When charging, the red light on, full it off.



2. Take out the battery, put it into the charger pedestal according to "+", "-" poles, connect the charger pedestal to the charger, and then connect the charger to the power socket. When the battery is being charged, the light on the charger pedestal is red. When the battery is fully charged, the light changes to green.

Notice:

- a) In order to improve the efficiency of the charge, please charge under the shutdown state
- b) Please make sure the charger and the plug power



Button functions description

Laser light key: positioning and tracking the object during taking the video, under TV mode it can be applied as delete key to the current file and also TV screen icon clearing key.

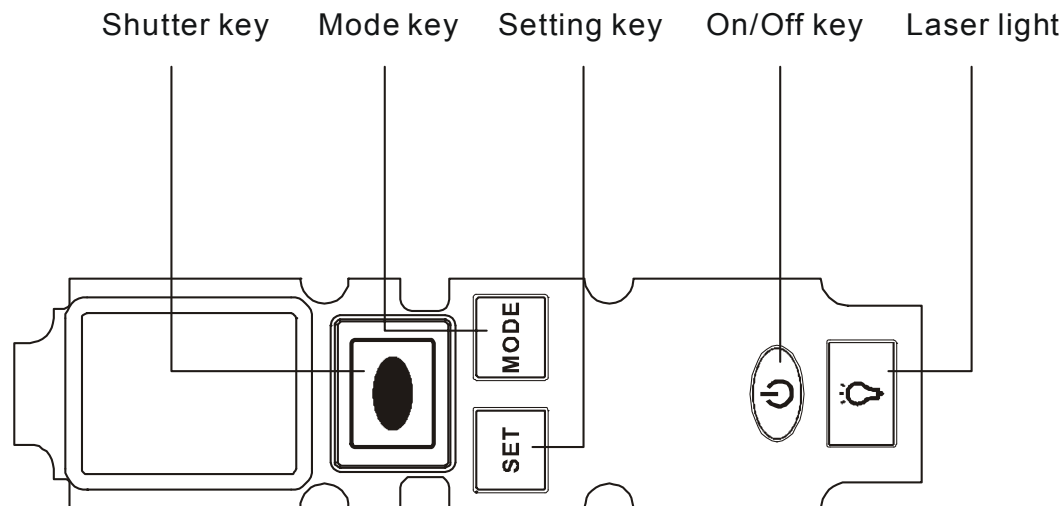
On/Off key: power on and off

Shutter key: Under standby statuses for taking video or stopping; in menu setting mode to adjust; in the TV playback mode used to play and pause; when connected to PC used to shift PC cam and Disk.

Setting key: Under standby statuses to enter into menu setting; in the TV playback mode


used to select the next file

Mode key: In menu mode, used to confirm and exit the menu setting; in the TV playback mode used to stop playback.




Operation description

□ Turn On the Camera

Press the power key . The LCD screen and the blue light will light up (one beeping sounds). It enters into video mode, the time displayed on screen is the remaining time for taking video, the first two digits display hours, the last two digits display minutes.


□ Turn Off the Camera

Press and hold the power key  for 2 seconds, The LCD display OFF (you will hear beeping sounds), and then the camera will turn off.

Memo: If there is no operation under standby status, camera will turn off automatically.

Take videos

1. Turn the camera on,

Press the 'Shutter key'  to start recording. The blue light flickers

The LCD will display the recorded time. The “H” means hours, “M” means minutes; “S” means seconds.

2. Press again the Shutter key '  to stop recording,

The video remaining record time will be shown on LCD screen, (The remaining record

time is an estimate only).

The system will stop taking video if the built in memory or external memory is full, the LCD screen will display "Full".

3. When it starts recording, the digits display on LCD are Minutes and Seconds (changing per second); after recording exceeds 1 hour, the digits display on LCD are Hours and Minutes (changing per Minute).
4. When video footage size reaches to 2GB, system will save a section video footage automatically and continuous creating a new section video footage.
5. When camera is saving the video footage, LCD will display "SAVE".

Remark: 1) If inserted with a mass storage card, it may take a bit longer time waiting to get started recording or to save video footage

Laser Light

The laser light is designed to help you to aim at the object you want to shoot.

1. Under any mode press the laser light key will light up the laser light, loosen the pressing the laser light turns off.
2. Under the video mode, to aim at the object/direction you want to take video, press the laser light for positioning and tracking, the direction of laser light is where the camera lens shooting at.


Remote controller instruction

1. Turn Camera power on, press "■" key the camera laser light will light up; loose pressing the laser light turns off.
2. Press "●" key once to start video recording, press again to pause video recording.

Menu Setting

Press and hold the "SET" key for 2 seconds to enter into setting mode, press the "shutter" key for selection , press the "SET" key to confirm and come to next menu. Or press "MODE" key to confirm and quit the setting.

1. Setting the resolution (720P / VGA Shifting)

Turn on the camera, press and hold the "SET" key for 2 seconds, when the 720P icon  flickers, press "shutter" key to select the resolution (720P/VGA) you need, press "SET" key to confirm and enter into the delete mode, or press "MODE" key to confirm and quit the setting.

2. Deleting video footage

Turn on the camera, press and hold the "SET" key for 2 seconds, the 720P icon 

flickers, press “SET” key into the delete mode, and press the “shutter” key to select “ NO、 ONE、 ALL”, press “SET” key to confirm and enter TV System switching mode, or press “MODE” key to confirm and quit the setting.

3. TV System switching

Turn on the camera, press and hold the “SET” key for 2 seconds, the 720P icon flickers, press “SET” key to enter into the delete mode, press again “SET” key into TV system switching mode, the letter “P” displayed on the LCD screen flickers, press “ SHUTTER” key to select “P”-PAL, “N”-NTSC, press “SET” key to confirm and it will enter into time setting afterwards, or press “MODE” key to confirm and quit the setting.

Memo: The default TV system is NTSC.

Time Setting

Turn the camera on, Press the “ SET” key for 2 seconds, when the 720P icon flickers, press “SET” key for one time enter delete mode, press another time enter TV system switching mode, press again the “SET” key into time setting mode, then the 3rd digit of Year flickers, press the “shutter” key to adjust number (0-9), press “SET” key enter the last digit of the year flickers, press the “shutter” key to adjust number (0-9), press “SET” key to confirm and enter the first digit (flickers) of the month setting, press “SET” key to confirm and enter the second digit (flickers) setting, press “shutter” key to adjust (0-9); press “SET” key enter the first digit of hour (flickers) setting, press “shutter” key adjust number (0-2) , press “SET” key to confirm and enter the second digit (flickers) of the hour setting, press “shutter” key to adjust (0-9); press “SET” key to confirm and enter the first digit (flickers) of minute setting, press the “shutter” key to adjust number (0-6), press “SET” key to confirm and enter second digit setting, press the “shutter” key to adjust number (0-9), press “SET” key to confirm and quit the time setting mode, and return to video mode.

Remark: 1. Under any mode, press “MODE” key will quit menu setting and save the current setting.

2. If you want to skip the year, months, or other settings, press the “SET” key to enter into next setting. e.g. when set the year, if there is no need setting the third digit, press the “SET” key once, then it will skip to next setting the fourth digit of year.

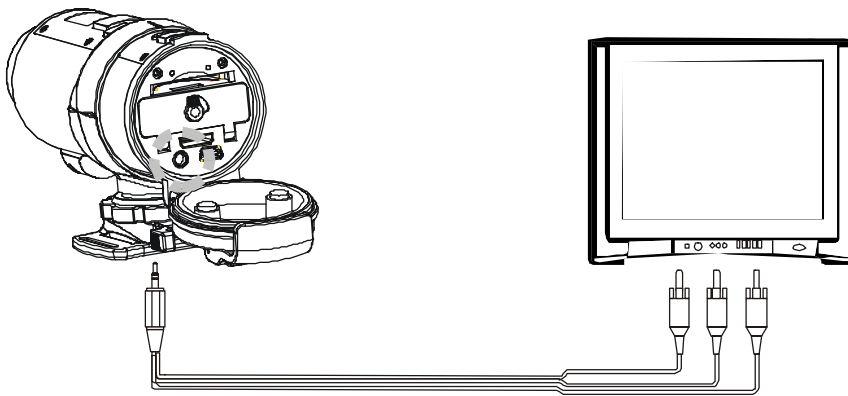
Playing back video footage on TV

1. TV OUT mode

Turn on the camera, connect to video input port and audio input port of TV by using one side of the AV cable provided. (Remark: video plug is yellow, audio plug is red / white).

The other side connect to the action camera, “AV” will appears on the Cam LCD, TV is under the playback status, press “SET” key, you could select next video footage, press the “shutter” key to begin to playback the video, press again the “shutter” key to pause playback, to continuous video playing press the “shutter” key again; Under playback or stop status, press the laser light key to clear all the characters on TV. Press again the laser light key to resume normal; Then long press the menu key for 3 seconds, it will delete the current video footage. When there is no files in camera memory, TV will display “NO IMAGE”

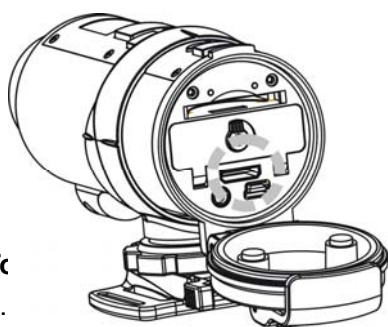
Note: Under AV status, pull out the AV cable, camera will shut off automatically.



2. HDMI mode

Turn on the camera, connect action cam to TV by using the HDMI cable provided, choose AV mode on TV. “HD” appears on LCD display, TV is under the playback the video, press “SET” key to choose next file, press “shutter” key to playback current file, and press again “shutter” key to pause playback, to continuous video playing press the “shutter” key; Under playback or stop status, press the laser light key to clear all the characters on TV. Press again the laser light key to resume normal; long press the laser light key for 3 seconds, it will delete the current video footage. When there is no file in camera memory, TV will display “NO FILE”.

Pull out the AV cable, the camera will shut off automatically.

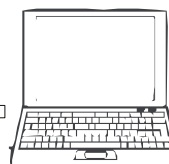
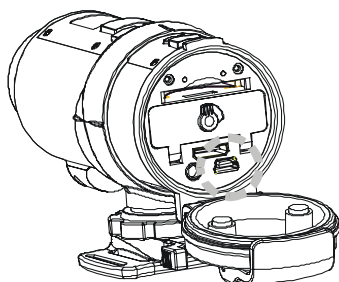


To
1.

- 1) Turn on the camera, connect the Action Cam to PC via the USB cable provided. "PC" appears on the Action Cam LCD screen, open "My computer" check a new disk on your computer, open the new disk you will see the video footages,(Remark: If there is no external memory card. PC will display the built in Memory disk, if there is SD card. PC will display SD card, storage disk.) Open the Disk and view the image.
- 2) Pull out the USB cable, the camera will shut off automatically.

Remark:

1. When the voltage below 3.6V, low battery icon will displayed in left corner of LCD screen, you should prepare to change the battery, the camera will shut off automatically when it runs out of battery.
2. When system detects that there is SD card inserted, SD icon will display on LCD screen.



2. PC cam

a) Install the driver

Before using the PC cam, install the driver required, put the CD ROM provided into the computer driver, the following icon will show on the display:



再点击：“Install Driver”，出现：

then click “Install Driver” icon, will display



点击下一步，出现：

click the “next” icon, display:



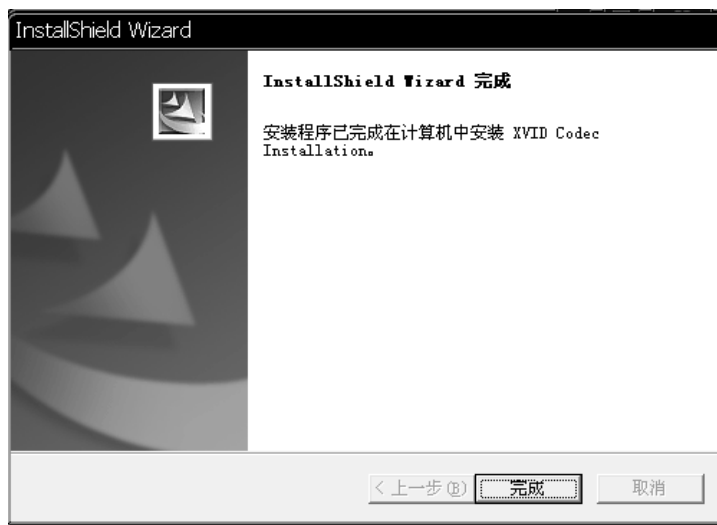
点击“

click “Install” icon; display:



点击“是”，出现：

click “YES” icon, display:



再点击“完成”出现：

then “FINISH” icon display:

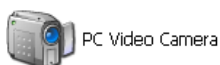


再点击

Click the “FINISH” icon, and then it is ok!

b) Check out the camera

Turn on the camera, connect the Action Cam to PC via the USB cable provided, “PC” appears on the Action Cam LCD screen, short press “shutter” **key** enter into Pc cam mode, open “My computer”, click “



” icon, the Pc cam will appear

Troubleshooting

There is no display?

- Are batteries property installed?
- Do the batteries need replacing?

After the Action Cam is connected to my PC, it cannot find the New drive in the “My computer’s folder.

- Make sure each end of the Action Cam USB cable is properly and firmly connected.
- Make sure your USB port works. Try connecting other USB device to check if USB port has a malfunction.
- Make sure connect to the PC cam.

I can’t capture the video footage.

- Make sure there's enough space on the internal memory of Action cam of the SD card. The display will tell you how much time left for video recording.
- Make sure the SD card is not locked if you have inserted the SD card. It can't take video footage if the SD card is locked.

Memo:

This machine is HD camera, guarantee to capture high-quality video/ Image

- Recommend using high speed SD card.
- Recommend formatting the card before recording.

The remaining time is not accurate.

- The remaining time is not always accurate, it's an estimate.
- The remaining time depends not only on the time recorded, but on he color density of the video footage, Under conditions with high contrast, such as outdoor, the actual time available will be less than under low-contrast conditions, such as indoors.

I can’t play the video footage on my television.

- Make sure the camera have been turn on ;
- Make sure each end of the AV cable is properly and firmly connected to Action cam and your television ;
- Please confirm the TV have been turn to the AV or HDMI mode.

The image is not clear or dim.

- Check out the lens whether there has any stain or finger print; use the Lens cloth to wipe up the Lens before shooting.

I can't view the PC cam.

- Make sure the driver has been installed ;
- Make sure it has switch to PC cam mode.

Remote controller doesn't work.

- **Please replace the inside battery(3V 600mAh) in remote controller.**

Technical Specification

Sensor	5.0 Mega pixels low-light sensitivity COMS sensor.
Resolution	720P (1280*720) /30FPS、 VGA (640*480) /60FPS
Video	PAL/NTSC/HDMI output
Audio	Built-in microphone, Stereo audio output
Storage	Built-in Memory 64MB.SD memory Card slot support up to 32 G (Not included)
Remote controller	High frequency 2.4G, all direction remote control within 8 meters in open areas
Lens	120 degree 5G All glass Lens
Movie format	AVI
Battery	Rechargeable lithium battery 3.7V/1700mAh
Port	USB2.0/TV OUT/HDMI
Dimension	129*53.5*72mm