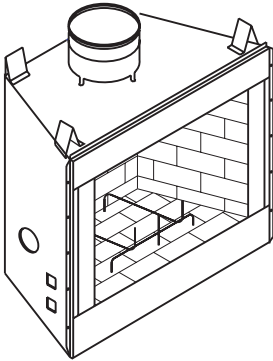




**WOOD BURNING FIREPLACE
OWNER'S OPERATION AND INSTALLATION MANUAL**



ICC-ES #ESR-2542



We recommend that our products be installed and serviced by professionals who are certified in the U.S. by NFI (National Fireplace Institute).

www.nficertified.org

MODELS (V)B36, (V)B36I, (V)B36L, (V)B36LI AND CWB36C

SAVE THIS BOOK

This book is valuable. In addition to instructing you on how to install and maintain your appliance, it also contains information that will enable you to obtain replacement parts or accessory items when needed. Keep it with your other important papers.

This fireplace is approved for use as a wood burning fireplace or for use with a vented gas log approved to ANS Z21.60, Z21.84 or RGA 2-72 standards or for use with a vent-free gas log heater approved to ANS Z21.11.2 standard. A DESA Heating, LLC hood must be installed when using a vent-free log heater (see Accessories, page 18).

This wood burning fireplace complies with UL127-CAN/ULC-S610-M87 standard as a **FACTORY BUILT APPLIANCE**.

FOR CANADA: The authority having jurisdiction (such as the municipal building department, fire department, etc.) should be contacted before installation to determine the need to obtain a permit.

INSTALLER: Leave this manual with the appliance.
CONSUMER: Retain this manual for future reference.

TABLE OF CONTENTS

Safety	2	Operation and Maintenance	14
Specifications	3	Technical Service.....	15
Fireplace Installation.....	4	Parts	16
Venting Installation	7	Replacement Parts.....	18
Optional Gas Line Installation.....	13	Accessories	18

SAFETY

⚠ WARNING: Improper installation, adjustment, alteration, service or maintenance can cause injury, property damage or loss of life. Refer to this manual for assistance or additional information. Consult a qualified installer or local distributor.

IMPORTANT: Check local codes before installing this fireplace.

Before beginning installation of this fireplace, read these instructions through completely.

- This DESA Heating, LLC fireplace and its components are safe when installed according to this installation manual. Unless you use DESA Heating, LLC components, which have been designed and tested for the fireplace system, you may cause a fire hazard.
- The DESA Heating, LLC warranty will be voided by and DESA Heating, LLC disclaims any responsibility for the following actions.
 - a. Modification of the fireplace, components, doors, air inlet system and damper control.
 - b. Use of any component part not manufactured or approved by DESA Heating, LLC in combination with a DESA Heating, LLC fireplace system.

Proper installation is the most important step in ensuring safe and continuous operation of fireplace. Consult the local building codes as to the particular requirements concerned with the installation of all factory built fireplaces.

⚠ WARNING: Do not install a fireplace insert in this box unless the manufacturer's instructions with the insert specifically state this fireplace has been tested for use with this insert.

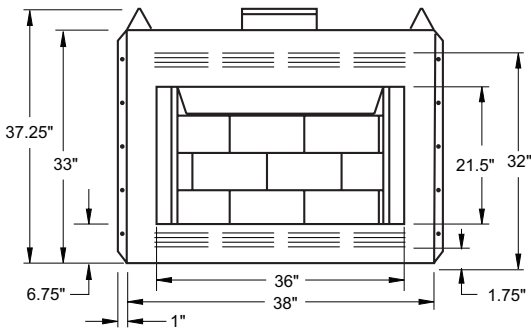
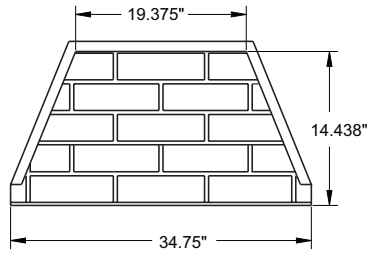
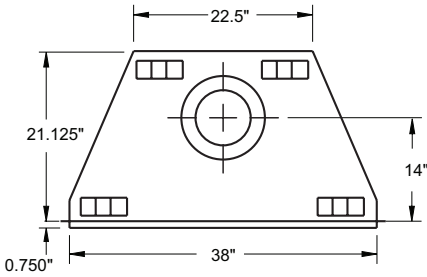
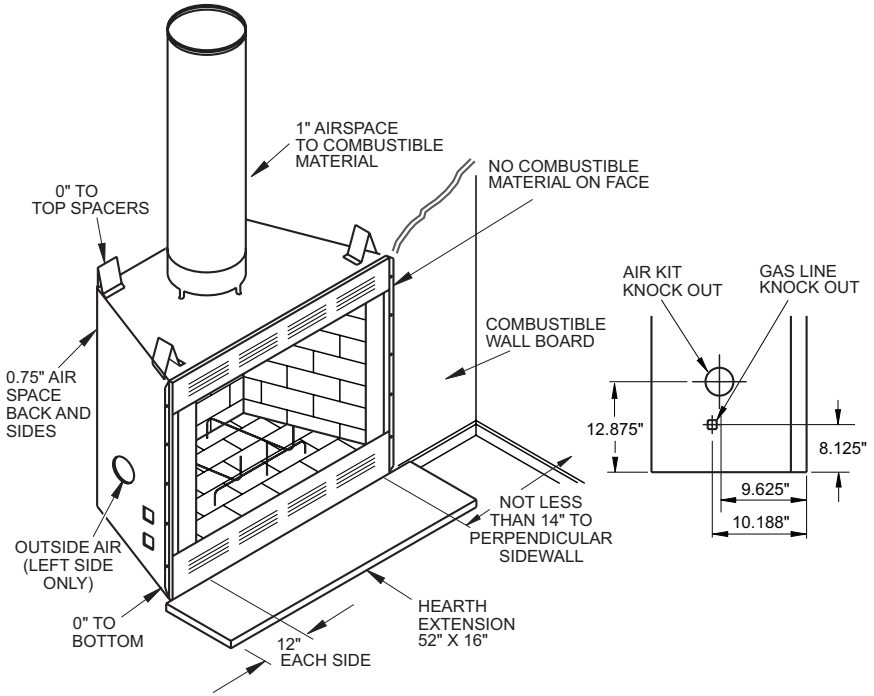
FOR YOUR SAFETY

- Do not store or use gasoline or any other flammable vapors or liquids in the vicinity of this or any other appliance.
- Due to high temperatures, the appliance should be located out of traffic and away from furniture and draperies.
- Do not place clothing or other flammable materials on or near the appliance.
- Never leave children unattended when a fire is burning in the fireplace.

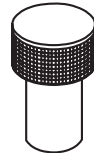
⚠ WARNING: Use solid wood or processed solid fuel fire logs only. When processed wood fuel fire logs are used, do not poke or stir the logs while they are burning. Use only fire logs that have been evaluated for the application in fireplace and refer to fire log warnings and caution markings on packaging prior to use.

This fireplace is not intended to be used as a substitute for a furnace to heat an entire home. Use for supplemental heat only.

SPECIFICATIONS



ROUND TOP TERMINATION



SQUARE CHASE-TOP TERMINATION



FIREPLACE INSTALLATION

SELECTING LOCATION

To determine safest and most efficient location for fireplace, you must take into consideration the following guidelines:

1. Location must allow for proper clearances (see Figures 1 and 2).
2. Consider a location where fireplace will not be affected by drafts, air conditioning ducts, windows or doors.
3. A location that avoids cutting of joists or roof rafters will make installation easier.
4. An outside air kit is available with this fireplace (see *Optional Outside Air Kit* on page 7).

MINIMUM CLEARANCE TO COMBUSTIBLES

Back and sides of fireplace	3/4" minimum*
Floor**	0" minimum
Perpendicular wall to opening	14" minimum
Top spacers	0" minimum
Mantel clearances	see <i>Mantels</i> , page 6
Chimney outer pipe surface	1" minimum

* Not required at nailing flanges

** See step 2 of *Framing*

WARNING: Do not pack required air spaces with insulation or other materials.

Minimum/Maximum Chimney Height

Minimum height of chimney, measured from base of fireplace to flue gas outlet of termination, is 11.5 feet for straight flue or a flue with one elbow set. Maximum distance between elbows is 2 feet. For systems with two elbow sets, minimum height is 22 feet. Maximum height of any system is 50 feet. This measurement includes fireplace, chimney sections and height of termination assembly at level of flue gas outlet (see Figure 18, page 11).

FRAMING

1. Frame opening for fireplace using dimensions shown in Figures 1 and 2.
2. If fireplace is to be installed directly on carpeting, tile (other than ceramic) or any combustible material other than wood flooring, fireplace must be installed upon a metal or wood panel extending full width and depth of fireplace.

3. Set fireplace directly in front of this opening and slide unit back until nailing flanges touch side framing.
4. Check level of fireplace and shim with sheet metal if necessary.
5. Before securing fireplace to prepared framing, ember protector must be placed between hearth extension (not included) and under bottom front edge of fireplace to protect against glowing embers falling through. If fireplace is to be installed on a raised platform, a Z-type ember protector (not included) must be fabricated to fit your required platform height. Ember protector should extend under fireplace a minimum of 1 1/2". Ember protector should be made of galvanized sheet metal (28 gauge minimum) to prevent corrosion.
6. Using screws or nails, secure fireplace to framing through flanges located on sides of fireplace.

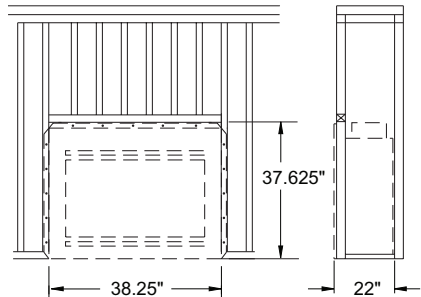


Figure 1 - Framing Dimensions

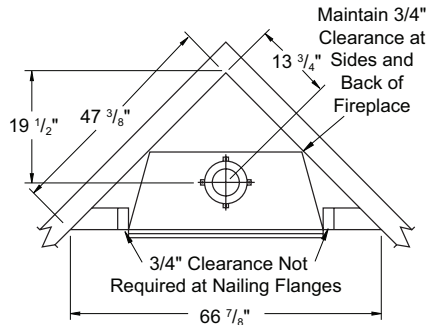


Figure 2 - Corner Installation

FIREPLACE INSTALLATION

Continued

HEARTH EXTENSION

A hearth extension projecting a minimum of 16" in front of and a minimum of 8" beyond each side of fireplace opening is required to protect combustible floor construction in front of fireplace. Fabricate a hearth extension using a material which meets the following specifications: a layer of noncombustible, inorganic material having a thermal conductivity of $K=0.84$ BTU IN/FT, HR. F (or less) at 1" thick. For example, if material selected has a K factor of 0.25, such as glass fiber, the following formula would apply:

$$\frac{0.25}{0.84} \times 1.0" = 0.30" \text{ thickness required}$$

Thermal conductivity "K" of materials can be obtained from manufacturer or supplier of noncombustible material. If hearth extension is to be covered, use noncombustible material such as tile, slate, brick, concrete, metal, glass, marble, stone, etc. Provide a means to prevent hearth extension from shifting and seal gap between fireplace frame and hearth extension with a noncombustible material (see Figure 3).

WARNING: Hearth extension is to be installed only as shown in Figure 3.

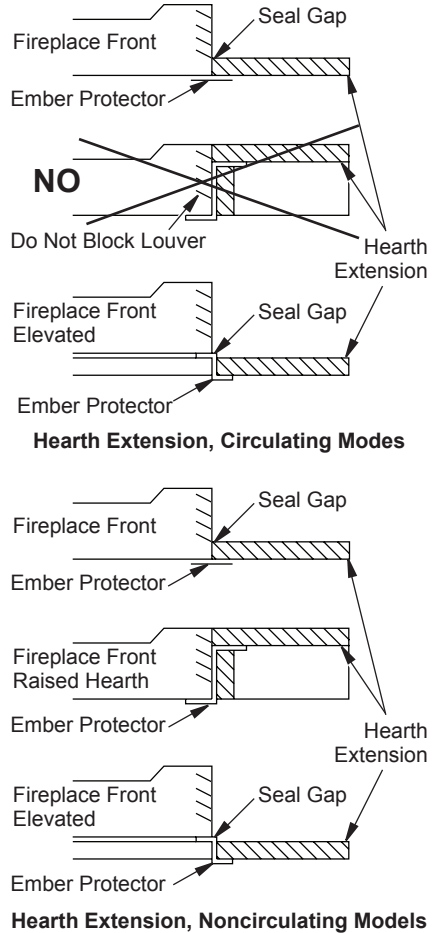


Figure 3 - Hearth Extension

FIREPLACE INSTALLATION

Continued

MANTELS

A mantel may be installed if desired (see Figure 4). Woodwork such as wood trims, mantels or any other combustible material projecting from front face must not be placed within 9" of fireplace opening (and within 9" of top louver opening). Combustible materials above 9" and projecting more than 1 1/2" from fireplace must not be placed less than 12" from top opening of fireplace (NFPA STD 211, Sec. 7-3.3.3).

Mantels or any other combustible material may come up to side edge of black metal face of fireplace if projection from front face falls within limits shown in Figure 5.

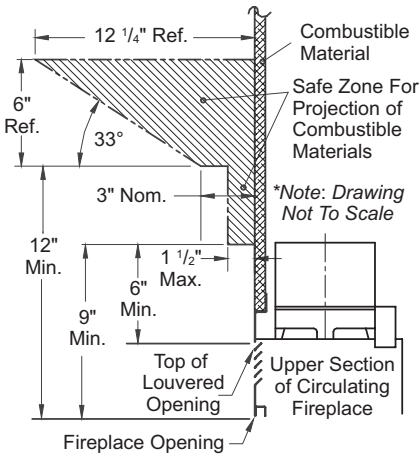


Figure 4 - Mantel Clearances to Combustible Material

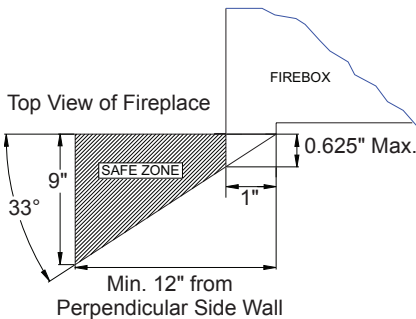


Figure 5 - Side Mantel Clearance

FAN/BLOWER KIT ASSEMBLY

Fan or blower kit is optional with this fireplace (for circulating models only). Use of blowers or fans other than those manufactured by DESA Heating, LLC voids warranty. Fan is operated by pressing rocker switch (see Figure 6) in lower right hand corner of fireplace face. Blower is operated by turning control knob (not shown).

Fan/blower kit electrical connections are made through electrical cover plate on side of fireplace as shown in Figure 6.

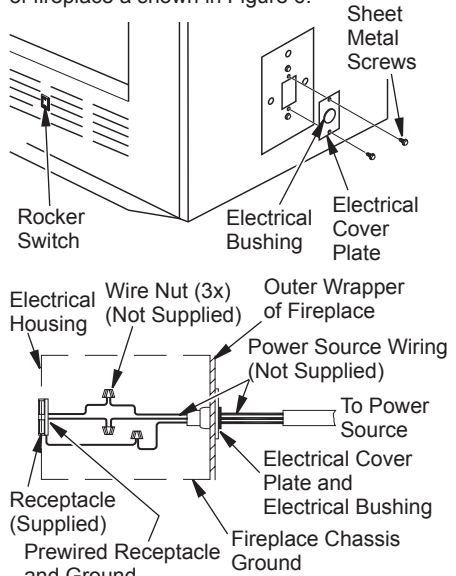


Figure 6 - Fan Switch-Electrical Bushing

Wiring Instructions

1. Remove electrical cover plate with bushing from fireplace by removing 2 sheet metal screws as shown in Figure 6.
2. Slide power source wiring through electrical bushing opening and electrical cover plate and make all necessary connections.
3. Slide all wiring connections in electrical housing as shown in Figure 6.
4. Secure electrical cover plate with screws previously removed.

Note: Electrical housing and cover plate have sharp edges. Wear protective gloves.

VENTING INSTALLATION

OPTIONAL OUTSIDE AIR KIT (MODEL AK4/AK4F)

Installation of outside air kit should be performed during rough framing of fireplace due to the nature of it's location. Outside combustion air is accessed through a vented crawl space (AK4F) or through a sidewall (AK4). See Figure 24 on page 15 for instruction of operating air kit.

CAUTION: Combustion air inlet ducts shall not terminate in attic space.

The maximum height for the air vent can not exceed 3 feet below the flue gas outlet of the termination.

Secure to Collars with Metal Tape, Screws or Straps (Min. of 1/4" x 20" in size)

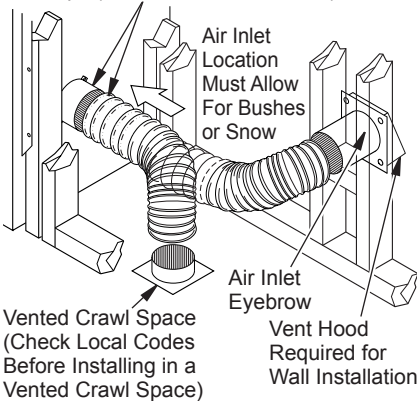


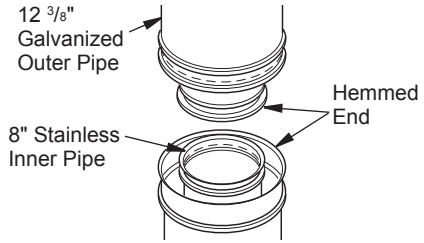
Figure 7 - Outside Air Kit

CHIMNEY PIPE

DESA Heating, LLC chimney system consists of 12", 18", 24", 36" and 48" snap-lock, double-wall pipe segments, planned for maximum adaptability to individual site requirements. Actual lengths gained after fitting overlaps must be taken into consideration (lineal gain) and are given in lineal gain chart (see Figure 8).

Lineal gain is actual measurable length of a part after two or more parts are connected.

WARNING: The opening in collar around chimney at top of fireplace must not be obstructed. Never use blown insulation to fill chimney enclosure.



LINEAL GAIN		
PART NO.	DESCRIPTION	GAIN
36"	Fireplace	37 1/2"
12-8DM 12-8HT	Pipe Section	10 5/8"
18-8DM 18-8HT	Pipe Section	16 5/8"
24-8DM 24-8HT	Pipe Section	23 5/8"
36-8DM 36-8HT	Pipe Section	34 5/8"
48-8DM 48-8HT	Pipe Section	46 5/8"
RT-8DM RT-8HT	Round Termination	6 7/8**
RTL-8DM RTL-8HT	Round Termination	7 3/4**
RTT-8DM RTT-8HT	Round Termination with Slip Section	6 7/8" to 23 1/8**
RTTL-8DM RTTL-8HT	Round Termination with Slip Section	8 1/2" to 21 1/2**
ET-8DM ET-8HT	Square Chase-Top	12**
ETO-8DM	Square Chase-Top with Mesh	12**
ETL-8DM ETL-8HT	Square Chase-Top with Slip Section	7" to 15**
ETLO-8DM	Square Chase-Top with Mesh & Slip Section	12" to 25 1/2**

* The lineal gain for the terminations is measured to the flue gas outlet height.

Figure 8 - Lineal Gain

VENTING INSTALLATION

Continued

ASSEMBLY AND INSTALLATION OF DOUBLE WALL CHIMNEY SYSTEM

Each double wall chimney section consists of a galvanized outer pipe, a stainless steel inner flue pipe and a wire spacer. Pipe sections must be assembled independently as chimney is installed. When connecting chimney directly to fireplace, inner flue pipe section must be installed first with lanced side up. Outer pipe section can then be installed over flue pipe section with hemmed end up. Press down on each pipe section until lances securely engage hem on fireplace starter. Wire will assure proper spacing between inner and outer pipe sections.

Note: For Canada, use chimney parts designated HT.

⚠ Opening in collar around chimney at top of fireplace must not be obstructed. Never use blown insulation to fill chimney enclosure.

Continue to assemble chimney sections as outlined, making sure that both inner and outer pipe sections are locked together. When

installing double wall snap-lock chimney together, it is important to assure joint between chimney sections is locked. Check by pulling chimney upward after locking. Chimney will not come apart if properly locked. It is not necessary to add screws to keep chimney together (exception - see Figure 11, page 9).

USING ELBOW OFFSETS (30E-8DM)

1. To achieve desired offset, you may install combinations of 12", 18", 24", 36" and 48" length of double wall pipe (see offset chart, page 7, and Figure 9).

Note: For systems with 2 elbow sets, minimum height is 22 feet. Maximum height for any system is 50 feet.

2. Chimney weight above offset rests on return elbow. Straps must be securely nailed to rafters or joists (see Figure 10, details A and B, page 9).
3. Maximum length of pipe between supports (return elbow or 12S-8DM) is 6' of angle run. Maximum of two 6' angle run sections per chimney system (see Figure 9).
4. All pipe connections between offset and return must be secured with two screws on outer pipe only (see Figure 11, page 9). Do not penetrate inner stainless.

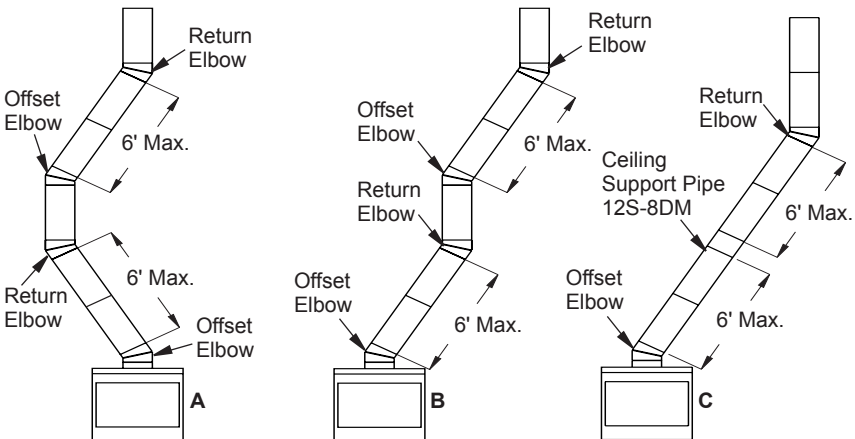


Figure 9 - Typical Offset Installation

VENTING INSTALLATION

Continued

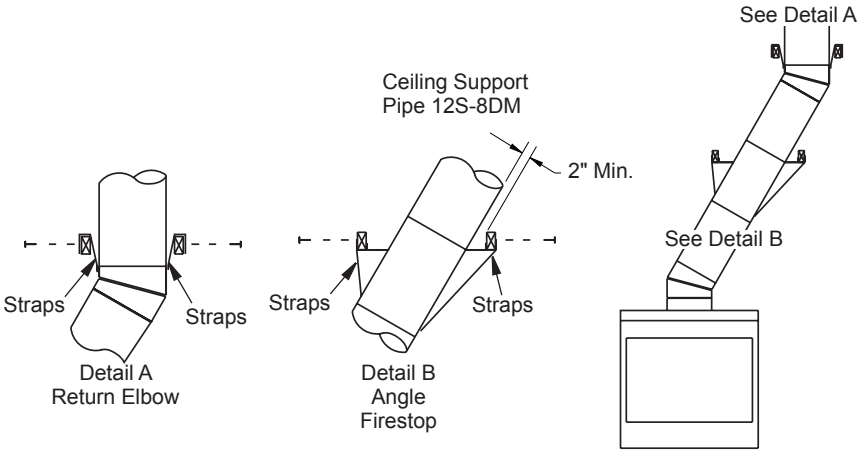
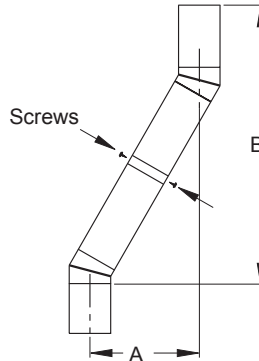


Figure 10 - Ceiling Support Pipe 12S-8DM

OFFSET A	RISE B	CHIMNEY LENGTH				
		48"	36"	24"	18"	12"
4 ³ / ₈ "	16 ³ / ₈ "	ELBOW SET ONLY				
9 ³ / ₄ "	25 ¹ / ₂ "				1	
12 ³ / ₄ "	30 ³ / ₄ "			1		
15"	34 ³ / ₄ "		1			
18"	40"			1	1	
21 ¹ / ₄ "	46 ¹ / ₄ "	1				
23 ³ / ₄ "	49 ¹ / ₄ "		1	1		
27 ³ / ₄ "	56 ³ / ₄ "	1				
30"	60 ³ / ₄ "		1	1		
33"	66"	1				1
36"	71"	1		1		
38 ¹ / ₄ "	75"		2			
41 ¹ / ₄ "	80 ¹ / ₄ "	1		1	1	
45"	86 ³ / ₄ "	2				
46 ³ / ₄ "	89 ¹ / ₂ "	1		1	1	
51"	97"	1	1			
53 ¹ / ₄ "	101"	2		1		
56 ¹ / ₄ "	106 ¹ / ₄ "	2				
59 ¹ / ₄ "	111 ¹ / ₂ "	1	1	1		
61 ³ / ₄ "	115 ¹ / ₂ "	2				1
64 ³ / ₄ "	120 ³ / ₄ "	2		1		
68 ¹ / ₄ "	127"	1	2			
70"	130"	2		1	1	
74 ¹ / ₄ "	137 ¹ / ₂ "	1	2			1
76 ³ / ₄ "	141 ¹ / ₂ "	1	2		1	
79 ³ / ₄ "	146 ³ / ₄ "	4				



OFFSET CHART (22-50 FT. SYSTEM HEIGHT)

Figure 11 - Elbow Offset

VENTING INSTALLATION

Continued

FIRESTOP SPACERS (V3600FS-8DM)

Firestop spacers are required at each point where chimney penetrates a floor space. Their purpose is to establish and maintain required clearance between chimney and combustible materials. When pipe passes through a framed opening into a living space above, firestop must be placed onto ceiling from below as shown in Figure 12.

They also provide complete separation from one floor space to another or attic space as required by most codes. When double wall pipe passes through a framed opening into an attic space, firestop must be placed into an attic floor as shown in Figure 13.

If area above is a living space, install firestop below framed hole.

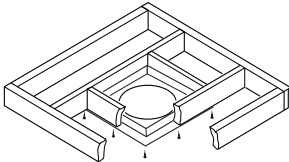


Figure 12 - Firestop Spacer with Living Space Above Ceiling

If area above is an attic or insulated area, install firestop above framed hole.

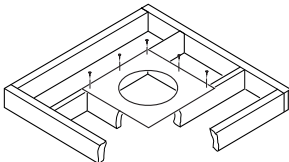


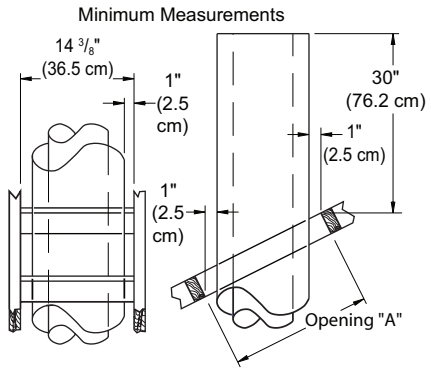
Figure 13 - Firestop Spacer with Attic Space Above Ceiling

PENETRATING ROOF

To maintain a 2" clearance to pipe on a roof with a pitch, a rectangular opening must be cut.

1. Determine center point where pipe will penetrate the roof.
2. Determine center point of the roof. Pitch is the distance the roof drops over a given span, usually 12". A 6/12 pitch means that the roof drops 6" for each 12" measure horizontally down from roof rafters.
3. Use roof opening chart (Figure 14) to determine correct opening length and flashing required.

4. Remove shingles around opening measured. Cut out this section.
5. Add next sections of pipe until end penetrates roof line. Check to see that proper clearances are maintained. Extend chimney by adding sections of double wall pipe until pipe is minimum of 30" above highest point of roof cutout. Termination and chimney must extend a minimum of 36" above highest point where it passes through roof.



Pitch	Slope	Opening "A" Max.	Used Flashing Model No.
Flat	0°	15"	V6F-8DM
0-6/12	26.6°	16 1/8"	V6F-8DM
6/12- 12/12	45.0°	20 3/8"	V12F-8DM

Figure 14 - Roof Opening Measurements

FLASHING INSTALLATION (V6F-8DM OR V12F-8DM)

Determine flashing to be used with roof opening chart. Slide flashing over pipe until base is flat against roof. Replace as many shingles as needed to cover exposed area and flashing base. Secure in position by nailing through shingles (see Figure 15, page 11). **DO NOT NAIL THROUGH FLASHING CONE.**

Installing Flashing on a Metal Roof

When installing flashing on a metal roof, it is required that putty tape be used between flashing and roof. Flashing must be secured to roof using #8 x 3/4" screws and then sealed with roof coating to prevent leakage through screw holes. A roof coating must also be applied around perimeter of flashing to provide a proper seal.

VENTING INSTALLATION

Continued

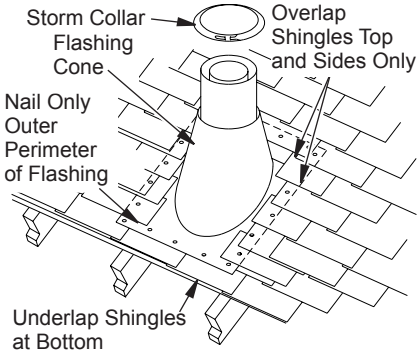


Figure 15 - Flashing Installation

Storm Collar Installation (SC1 or SC2)

Place storm collar over pipe and slide down until it is snug against open edge of flashing (see Figure 16). Use SC1 for all round terminations and SC2 for all terminations with slip sections. Apply waterproof caulk around perimeter of collar to provide a proper seal.

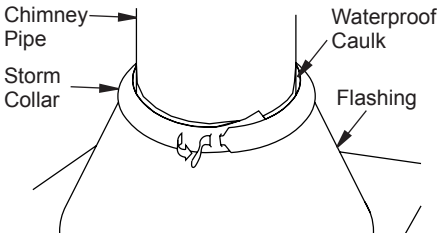


Figure 16 - Storm Collar

Terminations/Spark Arrestor

Fireplace system must be terminated with listed round top or chase terminations. In any case, refer to installation instructions supplied with termination. Terminations approved for this fireplace are RT-8DM and RTL-8DM that can be used for flashing or chase and ET-8DM, ETO-8DM, ETL-8DM and ETLO-8DM for chase style termination only. Figure 17 shows an RTL-8DM round top termination.

CAUTION: Do not seal openings on the rooftop flashing. Follow the installation instructions provided with the termination being used.

Terminations with 16" slip pipe sections are available. RTT-8DM and RTTL-8DM are approved for flashing installations. When needed, these adjustable terminations may be used in combination with pipe assembly to achieve correct chimney height.

Note: In the rare instance there is a problem with side driven rain or wind or chimney is not drafting properly, an ADS-8DM (Anti-Draft Shield) can be used with round terminations.

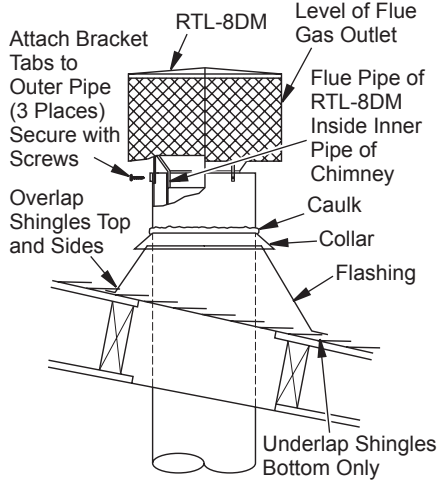


Figure 17 - Termination

CHASE INSTALLATIONS

Instructions for chase installations are included with chase style termination chosen. In a multiple chase installation, be sure to provide adequate distance between terminations to prevent smoke spillage from one termination to another. We suggest that terminations be separated at least 24", center to center and stacked at a vertical height difference of 18" (see Figure 18).

Note: If a decorative shroud is to be installed, contact manufacturer for specifications.

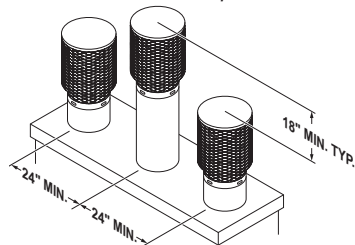


Figure 18 - Multiple Chase Installation

VENTING INSTALLATION

Continued

10 FOOT RULE

All flue gas outlet chimney terminations must extend a minimum of 3 feet in height above highest point where it passes through roof and must be at least 2 feet above highest point of the roof that is within a horizontal distance of 10 feet (see Figure 19).

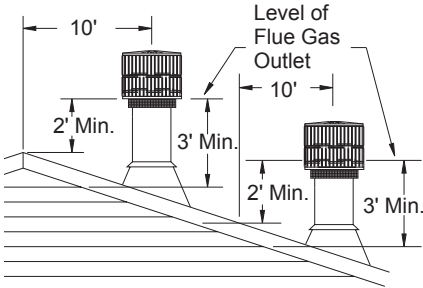


Figure 19 - 10 Foot Rule

FINISHING FIREPLACE

Combustible materials, such as wallboard, gypsum board, sheet rock, drywall, plywood, etc., may make direct contact with sides and top around fireplace face. It is important that combustible materials do not overlap face itself. Brick, glass, tile or other noncombustible materials may overlap front face provided they do not obstruct essential openings such as lowered slots. When overlapping with a noncombustible facing material, use only noncombustible mortar or adhesive.

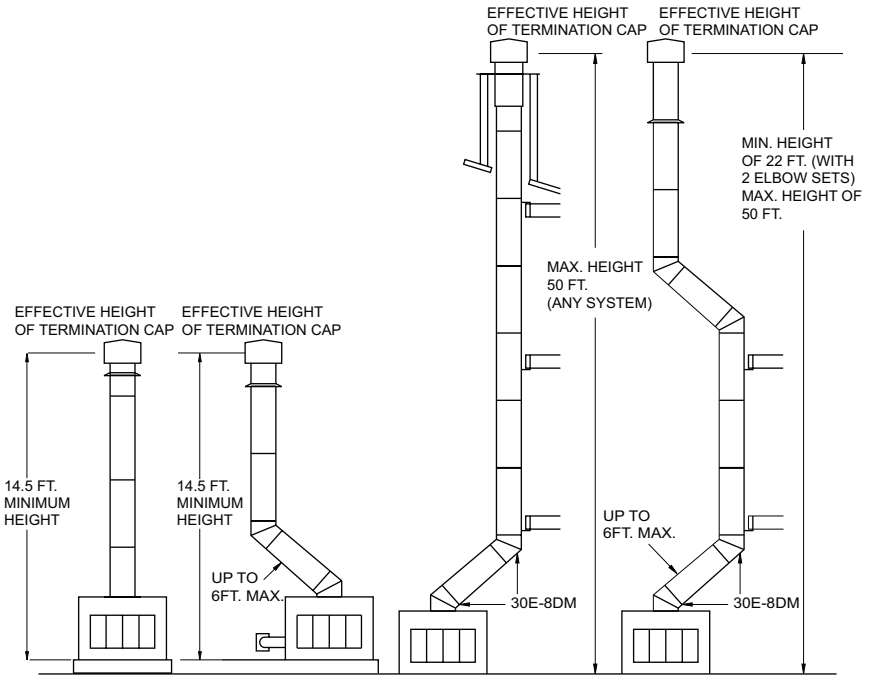


Figure 20 - Typical Residential Installations

OPTIONAL GAS LINE INSTALLATION

Gas line hook up should be done by your supplier or a qualified service person.

Note: Before you proceed, make sure your gas supply is turned off.

Use only a 1/2" black iron pipe and appropriate fittings.

1. Remove knockout indentation on refractory or firebrick wall located above refractory hearth floor. Knockout indentation must be firmly tapped with any solid object, such as a 1/2" dowel, until it is released. Remove fragmented portions of refractory (see Figure 21).
2. Remove gas line cover plate located on either side of fireplace and pull out insulation from gas line conduit sleeve. Save insulation for reuse.
3. Run a 1/2" black iron gas line into fireplace through rear at gas line conduit sleeve (if using a raised platform, add height). Provide sufficient gas line into fireplace chamber for fitting connection (see Figure 22).

Note: Secure incoming gas line to wood framing to provide rigidity for threaded end.

4. Repack insulation around gas line and into sleeve opening. Seal any gaps between gas line and refractory knockout hole with refractory cement or commercial furnace cement. Install gas appliance or cap off gas line if desired.

CAUTION: All gas piping and connections must be tested for leaks after installation is completed. After ensuring that gas valve is on, apply soap and water solution to all connections and joints. Bubbles forming show a leak. Correct all leaks at once. DO NOT USE AN OPEN FLAME FOR LEAK TESTING AND DO NOT OPERATE ANY APPLIANCE IF A LEAK IS DETECTED. LEAK TESTING SHOULD BE DONE BY A QUALIFIED SERVICE PERSON.

Note: A DESA Heating, LLC hood must be installed when using an unvented gas log set (see Accessories on page 18).

WARNING: Do not operate an unvented gas log set in this fireplace with chimney removed.

If you install a decorative gas appliance (vented gas log), decorative gas appliance must comply with the *Standard for Decorative Gas Appliance for Installation in Solid Fuel Burning Fireplaces, ANS Z21.60, Z21.84 or RG 2-72* and shall also be installed in accordance with the *National Fuel Gas Code, ANSI Z223NFPA 54 latest edition.*

WARNING: To avoid the risk of damaging fireplace materials and increasing the risk of spreading a fire, do not use fireplace to cook or warm food.

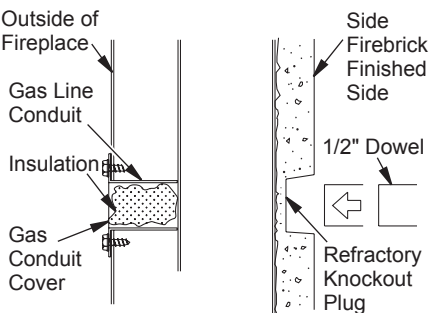


Figure 21 - Gas Line Knockout

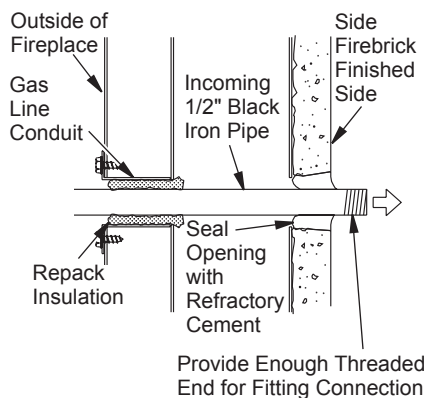


Figure 22 - Gas Line Installation

OPTIONAL GAS LINE INSTALLATION

Continued

⚠ WARNING: If the fireplace has been used for wood burning, firebox and chimney must be cleaned of soot, creosote and ashes by a qualified chimney cleaner. Creosote will ignite if heavily heated.

⚠ WARNING: When using a decorative vented gas log, damper must be removed or permanently locked in fully open position and glass doors must be in fully open position.

OPERATION AND MAINTENANCE

GLASS DOORS

Glass doors are optional with this fireplace. When fireplace is in operation, doors must be fully opened or fully closed position only or a fire hazard may be created (see Figure 23).

A fireplace equipped with glass doors operates much differently than a fireplace with an open front. A fireplace with glass doors has a limited amount of air for combustion. Excessive heat within fireplace can result if too large a fire is built or if combustion air gate is not completely open.

The following tips should be used to assure that both fireplace and glass door retain their beauty and function properly. Both the flue damper and glass doors must be fully opened before starting a fire. This will provide sufficient combustion air and maintain safe temperatures in firebox.

IMPORTANT: The glass must be allowed to warm slowly and evenly. Tempered glass will withstand a gradual temperature rise to 550° F, which is more than a normal fire will generate. Such materials as pitch/wax laden logs, very dry mill end lumber and large amounts of paper or cardboard boxes can create an excessively hot fire and should not be burned in this fireplace. Always keep fire back from doors and never allow flames to contact glass.

⚠ WARNING: Fireplaces equipped with glass doors should be operated only with doors fully opened or doors fully closed. Doors, if left partly open, may draw gas and flame out of the fireplace opening creating risks of both fire and smoke.

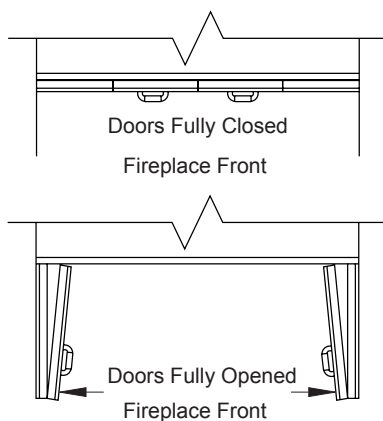


Figure 23 - Glass Doors

Cleaning Glass

Clean glass with any commercial glass cleaner or soap and water. Do not use any abrasive material to clean the glass. Do not clean glass with any cool water if glass is still hot from fire and smoke.

A gas line or gas log lighter may be installed for the purpose of installing a vented or vent-free decorative gas appliance incorporating an automatic shutoff device and complying with the *Standard for Decorative Gas Appliances for Installation in Vented Fireplaces, ANSI Z21.60* or *American Gas Association draft requirements for Gas Fired Log Lighters for Wood Burning Fireplaces, Draft NO. 4* dated August, 1993.

If you wish to install an unvented (vent-free) gas log set, only unvented gas log sets which have been found to comply with the standard for unvented room heaters, ANSI Z21.11.2 are to be installed in this fireplace.

OPERATION AND MAINTENANCE

Continued

DAMPER HANDLE OPERATION

Damper handle, which opens and closes damper blade, is located inside firebox at center towards back wall (see Figure 24). Pushing handle back into keyway slot will free damper blade to automatically open. To close, push handle back into keyhole slot then pull down and forward to lock it in place (see Figure 25).

⚠ WARNING: Risk of fire! Replace grate with DESA Heating, LLC model 107001-01 only. This grate has been designed to keep the operation of your fireplace safe and efficient.

For further operating guidelines, instructions and warranty information, please refer to your homeowner's guide or contact your authorized dealer.

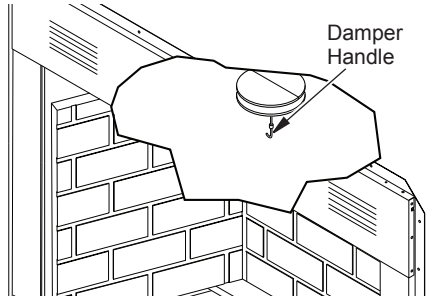


Figure 24 - Damper Handle Location

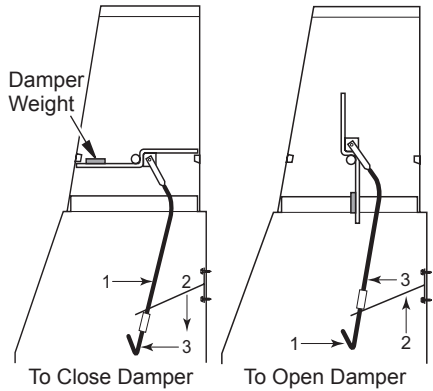


Figure 25 - Damper Rod

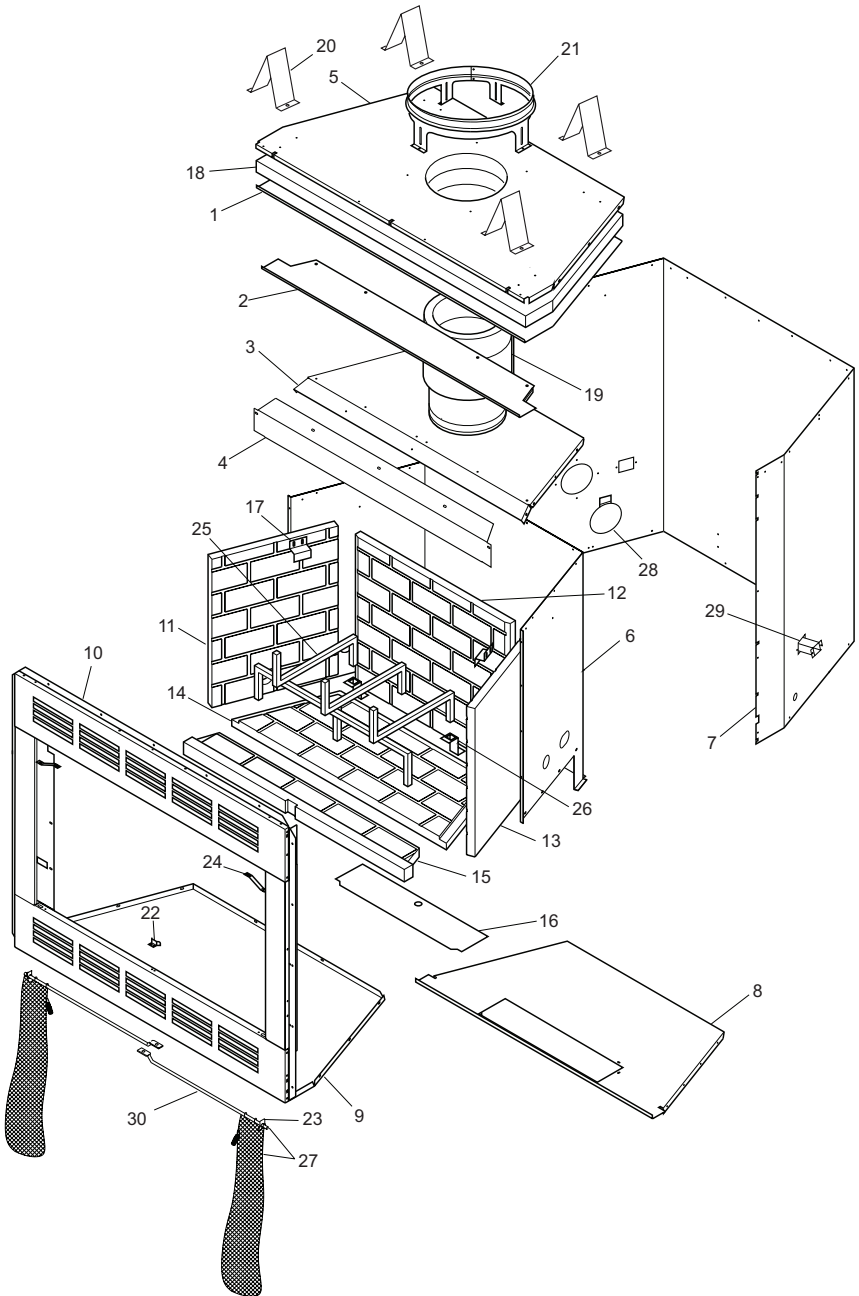
TECHNICAL SERVICE

You may have further questions about installation, operation, or troubleshooting. If so, contact DESA Heating, LLC at 1-866-672-6040. When calling please have your model and serial numbers of your heater ready.

You can also visit DESA Heating, LLC's web site at www.desatech.com.

PARTS

WOOD BURNING FIREPLACE MODELS (V)B36, (V)B36I, (V)B36L, (V)B36LI, CWB36C



PARTS

WOOD BURNING FIREPLACE MODELS (V)B36, (V)B36I, (V)B36L, (V)B36LI, CWB36C

This list contains replaceable parts used in your fireplace.

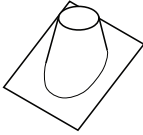
KEY NO.	PART NO.	DESCRIPTION				QTY.
			(V)B36(I)	(V)B36L(I)	CWB36C	
1	**	Insulation Pan	•	•	•	1
2	**	Air Separator	•	•	•	1
3	**	Firebox Top	•	•	•	1
4	111431-01	Air Deflector	•	•	•	1
5	**	Fireplace Top	•	•	•	1
6	**	Firebox Wrapper	•	•	•	1
7	**	Outer Wrapper/Insulation Assembly	•	•	•	1
8	**	Firebox Floor	•	•	•	1
9	**	Wrapper Bottom	•	•	•	1
10	107495-01	Front Face Weldment	•	•	•	1
	107495-02	Front Face Weldment	•			1
11	106971-01	Left Side Brick Liner	•	•	•	1
12	106969-01	Rear Brick Liner	•	•	•	1
13	106970-01	Right Side Brick Liner	•	•	•	1
14	106972-01	Bottom Brick Liner	•	•	•	1
15	106973-01	Front Bottom Brick Liner	•	•	•	1
16	21198	Blower Access Plate	•	•	•	1
17	20027	Refractory Retainer	•	•	•	2
18	**	Top Insulation	•	•		1
19	**	Insulation Retainer	•	•	•	1
20	20280	Top Standoff	•	•	•	4
21	20023	Chimney Starter Collar	•	•	•	1
22	20088	Door Stop	•	•	•	1
23	11418	Push On Nut	•	•	•	2
24	20090	Spring Clip	•	•	•	2
25	107001-01	Wood Burning Grate	•	•	•	1
26	106539-01	Grate Retainer	•	•	•	2
27	107127-01	Screen	•	•	•	1
28	**	Side Damper Weldment	•	•	•	1
29	107128-01	Gas Conduit	•	•	•	4
30	20806	Screen Rod	•	•	•	2
PARTS AVAILABLE - NOT SHOWN						
	14607	Rocker Switch	•	•	•	1
	110037-01	Electrical Duct Assembly	•	•	•	1
	110283-01	Flex Duct 6" x 37 1/2"	•	•	•	1
	20093	Ember Protector	•	•	•	2

** Not a field replaceable part

ACCESSORIES

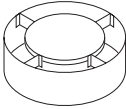
DOUBLE WALL PIPE

12-8DM 12-8HT
18-8DM 18-8HT
24-8DM 24-8HT
36-8DM 36-8HT
48-8DM 48-8HT



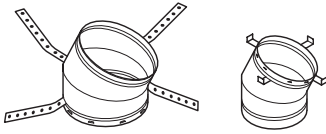
ROOF FLASHING

0 TO 6/12 PITCH - V6F-8DM
6/12 TO 12/12 PITCH - V12F-8DM



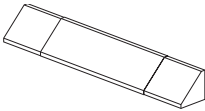
ANTI-DRAFT SHIELD

(Round Top Termination Only)
ADS-8DM



30° OFFSET AND RETURN

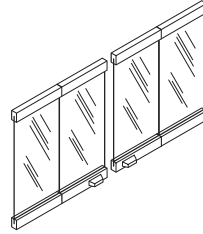
30E-8DM, 30E-HT



ADJUSTABLE HOOD

Antique Brass Finish - GA6053
Polished Brass Finish - GA6052
Black Painted Finish - GA6050

Required when installing a vent-free gas log
in this fireplace.



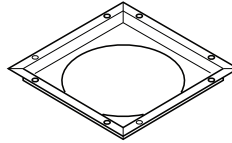
BI-FOLD GLASS DOOR

BDB36 - Black
BDB36B - Brushed Brass
BDB36P - Platinum



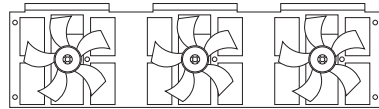
STORM COLLAR

SC1-1 For RT-8DM and RTL-8DM
SC1-2 For RTT-8DM and RTTL-8DM



FIRESTOP SPACER

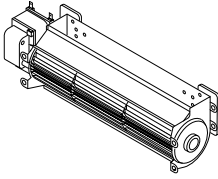
V3600FS-8DM



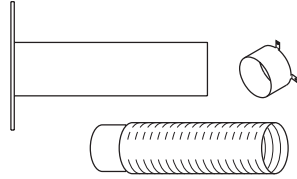
FAN KIT - BK3

ACCESSORIES

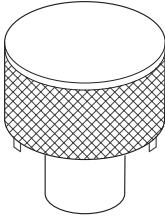
Continued



BLOWER KIT - BK



**OUTSIDE AIR KIT FOR FLOOR
INSTALLATION
AK4F**

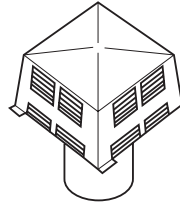


ROUND TOP TERMINATIONS

RT-8DM, RTL-8DM, RT-8HT, RLT-8HT

**ROUND TOP TERMINATIONS WITH
SLIP SECTION**

RTT-8DM, RTTL-8DM, RTT-8HT, RLTT-8HT

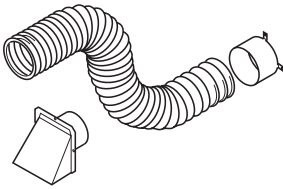


**SQUARE CHASE-TOP
TERMINATION**

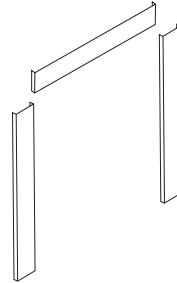
ET-8DM, ET-8DM, ET-8HT

**SQUARE TOP TERMINATION WITH
SLIP SECTION**

ETL-8DM, ETL-8DM, ETL-8HT



**OUTSIDE AIR KIT FOR SIDE WALL
INSTALLATION - AK4**



FACE EXTENSION

FE3602

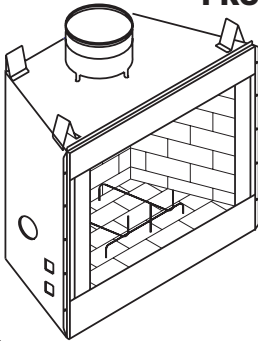


DESA Heating, LLC
2701 Industrial Drive
P.O. Box 90004
Bowling Green, KY 42102-9004
www.desatech.com
1-866-672-6040

109034-01
Rev. G
01/08



FOYER À BOIS
MANUEL DE FONCTIONNEMENT ET D'INSTALLATION DU PROPRIÉTAIRE



ICC-ES #ESR-2542



We recommend that our products be installed and serviced by professionals who are certified in the U.S. by NFI (National Fireplace Institute).

www.nficertified.org

MODÈLES (V)B36, (V)B36I, (V)B36L, (V)B36LI ET CWB36C

CONSERVEZ CE MANUEL

Ce manuel est important. En plus de fournir des instructions sur l'installation et l'entretien de cet appareil, il contient des renseignements qui vous permettront d'obtenir des pièces de rechange et des accessoires au besoin. Conservez-le avec vos dossiers importants.

Ce foyer est approuvé pour être utilisé avec du bois, une bûche à gaz avec système d'évacuation de gaz homologuée selon les normes ANSI Z21.60, Z21.84 ou RGA 2-72 ou une bûche à gaz sans système d'évacuation homologuée selon la norme ANSI Z21.11.2. Une hotte DESA Heating, LLC doit être installée si l'appareil est utilisé avec un appareil de chauffage à bûche sans système d'évacuation (voir Accessoires, page 20).

Ce foyer à bois est conforme à la norme UL127-CAN/ULC-S610-M87 en tant qu'APPAREIL FABRIQUÉ EN USINE.

AU CANADA : l'organisme responsable (comme le service municipal des permis de construction, le service des incendies ou autre) doit être contacté avant l'installation afin de déterminer si un permis est nécessaire.

INSTALLATEUR : laissez ce manuel avec l'appareil.
UTILISATEUR : conservez ce manuel pour référence future.

Pour plus de détails, visitez le site www.desatech.com

TABLE DES MATIÈRES

Sécurité	2	Fonctionnement et entretien.....	16
Caractéristiques.....	3	Service technique	17
Installation du foyer	4	Pièces.....	18
Installation du système de ventilation.....	7	Accessoires	20
Installation d'une canalisation de gaz en option..	14		

SÉCURITÉ

⚠ AVERTISSEMENT : une installation, un réglage, une modification, une réparation ou un entretien inapproprié peut entraîner des blessures, des dommages matériels ou la mort. Reportez-vous à ce manuel pour obtenir de l'aide ou plus de renseignements. Faites appel à un installateur qualifié ou votre distributeur local.

IMPORTANT : consultez les codes locaux avant d'installer ce foyer.

Lisez entièrement ces instructions avant de procéder à l'installation de ce foyer.

- Ce foyer DESA Heating, LLC et ses pièces sont sûrs lorsqu'ils sont installés conformément aux consignes de ce manuel. Vous créez un risque d'incendie si vous n'utilisez pas de pièces DESA Heating, LLC qui ont été conçues et testées pour ce foyer particulier.
- La garantie de DESA Heating, LLC sera invalidée et DESA Heating, LLC rejette toute responsabilité dans les cas suivants.
 - a. La modification du foyer, des pièces, des portes, du système de prise d'air et du régulateur de tirage.
 - b. L'utilisation de toute pièce qui n'est pas fabriquée ou approuvée par DESA Heating, LLC pour être utilisée avec un système de foyer DESA Heating, LLC.

L'installation appropriée est l'étape la plus importante afin d'assurer un fonctionnement sûr et continu du foyer. Consultez les codes du bâtiment locaux pour connaître les exigences particulières quant à l'installation de foyers fabriqués en usine.

⚠ AVERTISSEMENT : n'installez pas un foyer encastrable dans cette niche à moins que les instructions du fabricant de ce produit précisent clairement que ce foyer a été testé et peut être utilisé dans cette niche.

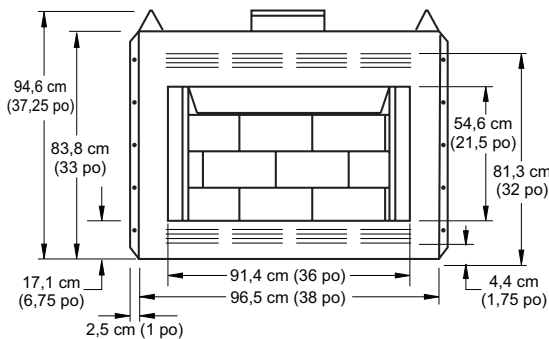
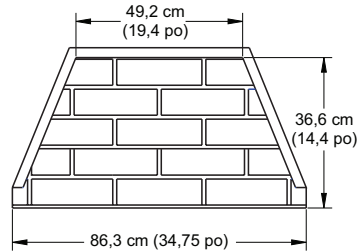
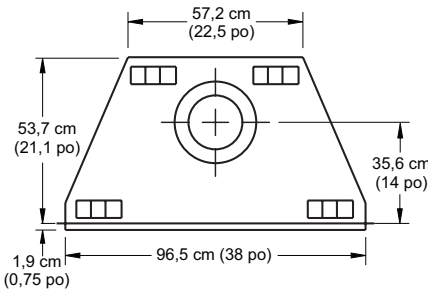
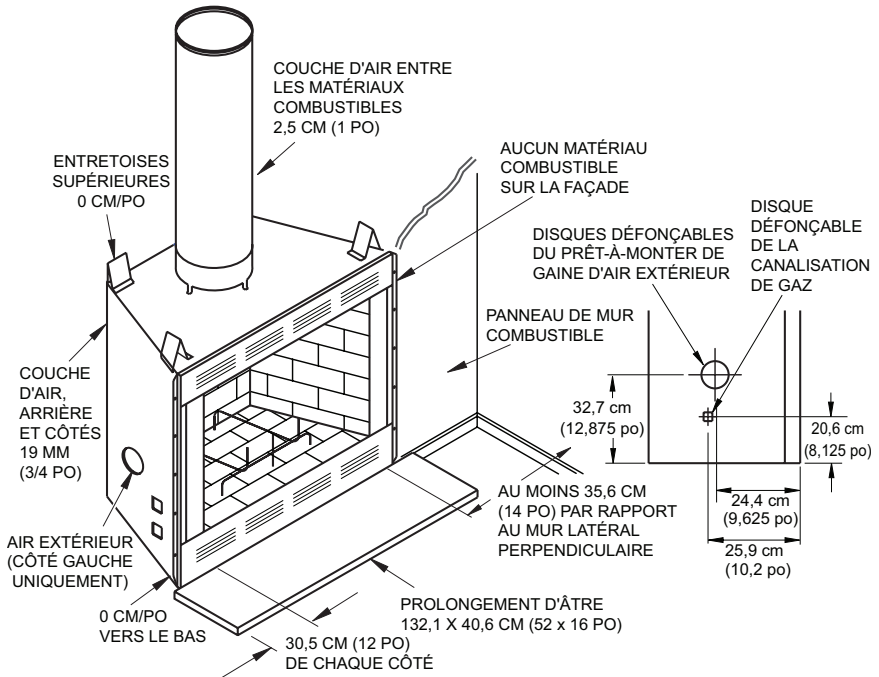
POUR VOTRE SÉCURITÉ

- N'entrez pas et n'utilisez pas d'essence ou d'autres vapeurs et liquides inflammables à proximité de cet appareil ou de tout autre appareil.
- Cet appareil produit des températures élevées et doit par conséquent être placé à l'écart de la circulation, des meubles et des rideaux.
- Ne mettez pas de vêtement ou d'autre étoffe inflammable sur ou à proximité de l'appareil.
- Ne laissez jamais les enfants sans surveillance lorsqu'il y a du feu dans le foyer.

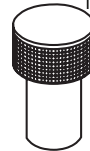
⚠ AVERTISSEMENT : n'utilisez que du bois massif ou des bûches calorifiques densifiées. Si vous utilisez des bûches calorifiques, ne tisonnez pas et ne déplacez pas les bûches qui brûlent. Utilisez uniquement des bûches qui ont été fabriquées pour une utilisation dans un foyer et consultez les avertissements et les mises en garde sur l'emballage avant de les utiliser.

Ce foyer n'est pas conçu pour remplacer une fournaise pour chauffer toute une habitation. Utilisez-le uniquement comme chauffage d'appoint.

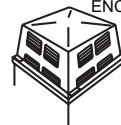
CARACTÉRISTIQUES



TERMINAISON À TÊTE RONDE



TERMINAISON SUPÉRIEURE CARRÉE POUR ENCHÂSSURE



INSTALLATION DU FOYER

SÉLECTION D'UN EMPLACEMENT

Pour déterminer l'emplacement du foyer le plus sûr et le plus efficace, vous devez tenir compte des consignes suivantes :

1. L'emplacement doit permettre les dégagements appropriés (voir figures 1 et 2).
2. Choisissez un emplacement où le foyer ne sera pas affecté par les courants d'air, les conduits de climatisation, les fenêtres ou les portes.
3. Un emplacement qui ne demande pas de couper les solives ou les chevrons de la toiture rendra l'installation plus facile.
4. Un prêt-à-monter de gaine d'air extérieur est disponible pour ce foyer (voir Prêt-à-monter de gaine d'air extérieur en option, page 7).

DÉGAGEMENT MINIMUM PAR RAPPORT AUX MATIÈRES COMBUSTIBLES

Arrière et côtés du foyer 1,9 cm (3/4 po) min.*

Plancher** 0 cm/po min.

Du mur perpendiculaire à l'ouverture 35,5 cm (14 po) min.

Entretoises supérieures 0 cm/po min.

Dégagement par rapport au manteau de foyer voir Manteaux de foyer, page 6

Surface du conduit extérieur de cheminée 2,5 cm (1 po) min.

* Pas nécessaire sur les collets de clouage

** Voir l'étape 2 de la section Structure

AVERTISSEMENT : ne remplissez pas les espaces de dégagement requis avec de l'isolant ou d'autres matières.

Hauteur minimale et maximale de la cheminée

La hauteur minimale de la cheminée, mesurée de la base du foyer jusqu'à l'extrémité de la sortie du conduit de fumée, est de 4,42 m (11,5 pi) pour un conduit droit ou avec un coude. La distance maximale entre les coudes est de 1,9 m (2 pi). Dans le cas des systèmes avec deux coudes, la hauteur minimale est de 6,7 m (22 pi). La hauteur maximale de tous les systèmes est de 15 m (50 pi). Ces mesures comprennent le foyer, les sections de la cheminée ainsi que la hauteur de la terminaison au niveau de la sortie du conduit de fumée (voir figure 18, page 11).

STRUCTURE

1. Les figures 1 et 2 contiennent les dimensions des ouvertures de la structure du foyer.
2. Si vous installez le foyer directement sur de la moquette, des carreaux (autres qu'en céramique) ou toute autre matière combustible autre que le bois, vous devez l'installer sur un panneau en métal ou en bois couvrant toute la largeur et la profondeur du foyer.
3. Placez le foyer directement devant cette ouverture et glissez-le vers l'arrière jusqu'à ce que les collets de clouage touchent les côtés de la structure.
4. Vérifiez que le foyer est de niveau et calez avec de la tôle si nécessaire.
5. Avant de fixer le foyer à la structure préparée, un protecteur de braise doit être placé entre le prolongement de l'âtre (non fournie) et sous le bord avant du foyer comme protection contre les braises ardentés qui pourraient tomber. Si le foyer est installé sur une plateforme surélevée, un protecteur contre les braises de type

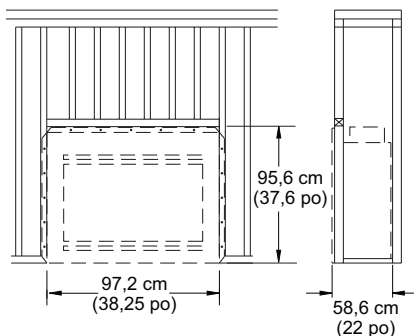


Figure 1 - Dimensions de la structure

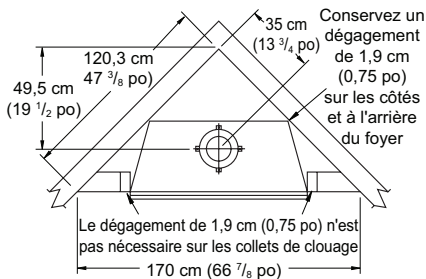


Figure 2 - Installation en coin

INSTALLATION DU FOYER

suite

Z (non fourni) doit être fabriqué selon la hauteur de la plateforme. Le protecteur contre les braises doit dépasser sous le foyer d'une distance minimum de 4 cm (1 1/2 po). Le protecteur contre les braises doit être fabriqué en tôle galvanisée (calibre 28 minimum) afin de prévenir la corrosion.

- À l'aide de vis ou de clous, fixez le foyer à la structure en passant par les collets situés sur les côtés du foyer.

PROLONGEMENT D'ÂTRE

Un prolongement d'âtre s'étendant d'un minimum de 40,6 cm (16 po) à l'avant du foyer et d'un minimum de 20,3 cm (8 po) de chaque côté de l'ouverture du foyer est nécessaire pour protéger le plancher combustible devant le foyer. Fabriquez le prolongement d'âtre avec un matériau qui correspond aux caractéristiques suivantes : une couche de matériau inorganique non combustible ayant un coefficient de conductivité thermique de $K=0,84 \text{ BTU IN/FT, HR. F}$ (ou moins) pour une épaisseur de 2,5 cm (1 po). Ainsi, si le matériau choisi a un coefficient K de 0,25, comme la fibre de verre, la formule suivante donne :

$$\frac{0,25 \times 2,5 \text{ cm (1,0 po)}}{0,84} = 7,6 \text{ mm (0,30 po)}$$

Le coefficient de conductivité thermique K des matériaux peut être obtenu du fabricant ou du fournisseur de ces matériaux. Si le prolongement d'âtre doit être recouvert, utilisez un matériau non combustible comme des carreaux de céramique, de l'ardoise, de la brique, du béton, du métal, du verre, du marbre, de la pierre, etc. Prévoyez un moyen d'empêcher le prolongement d'âtre de se déplacer et calfeutrez les ouvertures entre l'encadrement du foyer et le prolongement à l'aide d'un matériau non combustible (voir figure 3).

AVERTISSEMENT : le prolongement d'âtre ne doit être installé que selon la figure 3.

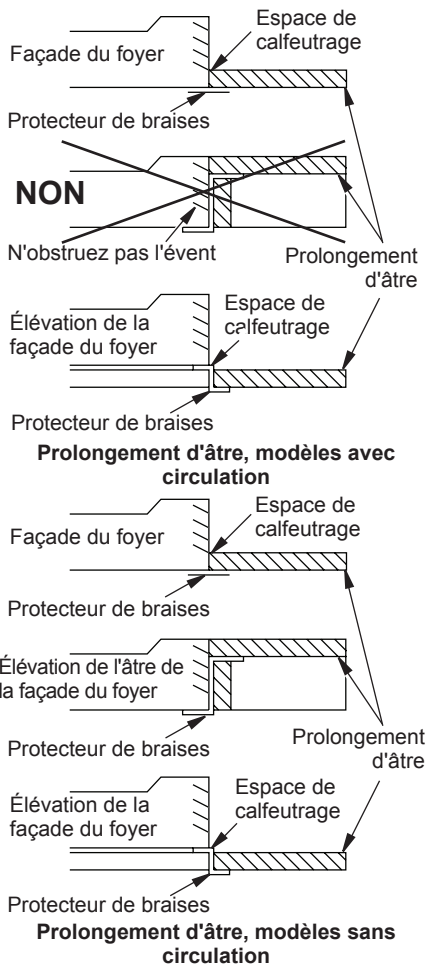


Figure 3 - Prolongement d'âtre

INSTALLATION DU FOYER

suite

MANTEAUX DE FOYER

Un manteau de foyer peut être installé si désiré (voir figure 4). Les ouvrages en bois comme les moulures, les manteaux de foyer ou autres matériaux combustibles avançant devant la façade ne peuvent pas être situés à moins de 23 cm (9 po) de l'ouverture du foyer et à moins de 23 cm (9 po) de l'évent supérieur. Les matériaux combustibles situés 23 cm (9 po) au dessus du foyer et s'avancent de plus de 3 cm (1 1/2 po) devant le foyer ne peuvent pas être placés à moins de 30 cm (12 po) du dessus de l'ouverture du foyer (norme NFPA 211, sect. 7-3.3.3).

Les manteaux de foyer et autres matériaux combustibles peuvent rejoindre le rebord de la façade métallique noire sur les côtés du foyer si la projection devant la façade demeure dans les limites illustrées à la figure 5.

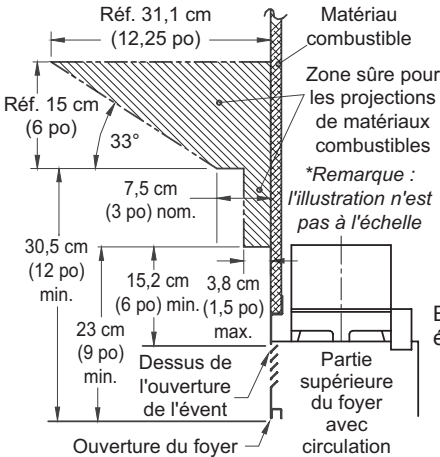


Figure 4 - Développements du manteau de foyer par rapport aux matériaux combustibles

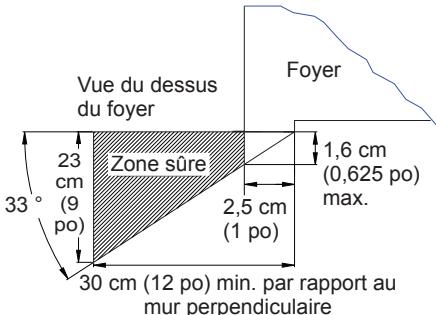


Figure 5 - Dégagement du manteau de foyer latéral

PRÊT-À-MONTER DE VENTILATEUR ET DE SOUFFLEUR

Un prêt-à-monter de ventilateur ou de souffleur pour ce foyer est offert en option (pour les modèles à circulation uniquement). L'utilisation de ventilateurs ou de souffleurs autres que ceux qui sont fabriqués par DESA Heating, LLC annulent la garantie. Le ventilateur fonctionne en appuyant sur un interrupteur à bascule (voir figure 6) situé dans le coin inférieur droit de la façade du foyer. Le souffleur fonctionne en tournant un bouton de réglage (pas illustré).

Les raccordements électriques du prêt-à-monter de ventilateur et de souffleur se font par la plaque-couvercle électrique située sur le côté du foyer comme illustré à la figure 6.

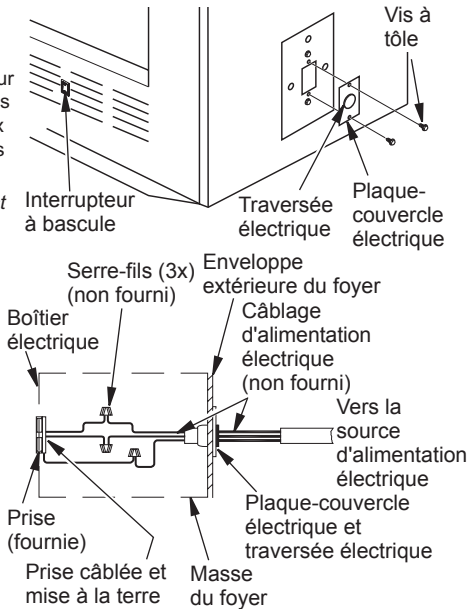


Figure 6 - Traversée électrique d'interrupteur de ventilateur

Instructions de câblage

1. Enlevez la plaque-couvercle électrique et sa traversée du foyer en retirant les deux vis à tête comme illustré à la figure 6.
2. Faites glisser les fils électriques dans la traversée et la plaque-couvercle électriques et effectuez les raccordements nécessaires.

INSTALLATION DU FOYER

suite

3. Faites glisser les raccords électriques dans le boîtier électrique comme illustré à la figure 6, page 6.
4. Fixez la plaque-couvercle électrique à l'aide des vis enlevées auparavant.

Remarque : le boîtier électrique et la plaque-couvercle ont des rebords coupants. Portez des gants de protection.

INSTALLATION DU SYSTÈME DE VENTILATION

PRÊT-À-MONTER DE GAINÉ D'AIR EXTÉRIEUR EN OPTION (MODÈLE AK4/AK4F)

L'installation du prêt-à-monter de gainé d'air extérieur doit se faire au début de la construction de la structure en raison de son emplacement. L'accès à de l'air de combustion de l'extérieur se fait par une galerie ventilée (AK4F) ou par un mur latéral (AK4). Consultez la figure 24 de la page 17 pour des instructions sur le fonctionnement du prêt-à-monter de gainé d'air extérieur.

ATTENTION ! Les conduits d'entrée d'air comburant ne doivent pas donner dans le grenier.

Fixez aux colliers avec du ruban métallique, des vis ou des attaches (dimensions minimales de 0,635 x 51 cm (1/4 x 20 po))

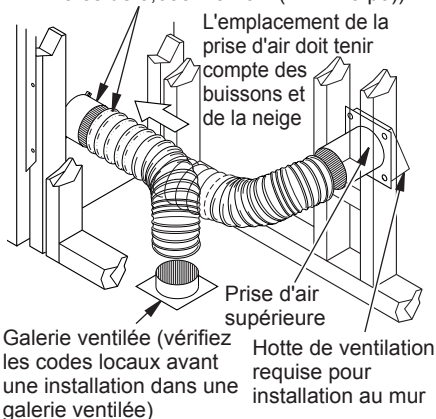


Figure 7 - Prêt-à-monter de gainé d'air extérieur

La bouche d'aération ne peut pas être placée à plus de 91,5 cm (3 pieds) en dessous de la terminaison de sortie de gaz du conduit de cheminée.

CONDUIT DE CHEMINÉE

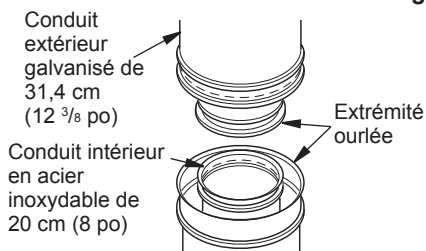
Le système de cheminée de DESA Heating, LLC comprend des sections de conduit amovibles encastrables à double paroi de 30, 45, 60, 90 et 120 cm (12, 18, 24, 36 et 48 po) qui offrent un maximum de souplesse d'adaptation aux exigences particulières de chaque installation. Les longueurs réelles après le chevauchement des fixations doivent être prises en considération (accroissement linéaire) et sont mentionnées dans le tableau des accroissements linéaires (voir figure 8, page 8).

L'accroissement linéaire est la longueur réelle mesurée d'une pièce après le raccordement de deux ou plusieurs sections.

AVERTISSEMENT : l'ouverture circulaire autour de la cheminée au dessus du foyer ne doit pas être obstruée. N'utilisez jamais d'isolant soufflé pour remplir l'enveloppe de la cheminée.

INSTALLATION DU SYSTÈME DE VENTILATION

suite



ASSEMBLAGE ET INSTALLATION D'UN SYSTÈME DE CHEMINÉE À DOUBLE PARI

Chaque section de cheminée à double paroi consiste en un conduit extérieur galvanisé, un conduit de fumée intérieur en acier inoxydable et une entretoise métallique. Les sections de conduit doivent être assemblées indépendamment pendant l'installation de la cheminée. Si vous raccordez directement une cheminée au foyer, la section du conduit de fumée interne doit être installée en premier avec l'extrémité conique vers le haut. La paroi extérieure de la section de tuyauterie peut ensuite être installée avec l'extrémité ourlée vers le haut, par-dessus le conduit de fumée. Appuyez vers le bas sur chaque section de tuyauterie jusqu'à ce que le cône s'enclenche solidement avec l'ourlet au point de départ sur le foyer. L'entretoise assurera un écart approprié entre les sections intérieures et extérieures du conduit.

Remarque : au Canada, utilisez des pièces de cheminée marquées HT.

⚠ L'ouverture circulaire autour de la cheminée au dessus du foyer ne doit pas être obstruée. N'utilisez jamais d'isolant soufflé pour remplir l'enveloppe de la cheminée.

Continuez à assembler les sections de cheminée comme mentionné en vous assurant que le conduit intérieur et le conduit extérieur sont verrouillés l'un à l'autre. Lors de l'installation d'une cheminée à double paroi encastrable, il est important de s'assurer que le joint entre chacune des sections est verrouillé. Après avoir verrouillé une section, tirez-la vers le haut pour vérifier. La cheminée ne se séparera pas si le joint est correctement verrouillé. Il n'est pas nécessaire d'ajouter de vis pour garder réunie la cheminée (exception : voir figure 11, page 10).

ACCROISSEMENT LINÉAIRE		
N° DE PIÈCE	DESCRIPTION	ACCROISSEMENT
91,44 cm (36 po)	Foyer	95,25 cm (37 1/2 po)
12-8DM 12-8HT	Section de conduit	27,1 cm (10 5/8 po)
18-8DM 18-8HT	Section de conduit	42,35 cm (16 5/8 po)
24-8DM 24-8HT	Section de conduit	60,13 cm (23 5/8 po)
36-8DM 36-8HT	Section de conduit	88,1 cm (34 5/8 po)
48-8DM 48-8HT	Section de conduit	118,5 cm (46 5/8 po)
RT-8DM RT-8HT	Terminaison à tête ronde	17,5 cm (6 7/8 po)*
RTL-8DM RTL-8HT	Terminaison à tête ronde	19,7 cm (7 3/4 po)*
RTT-8DM RTT-8HT	Terminaison à tête ronde avec section coulissante	17,5 à 58,7 cm (6 7/8 à 23 1/8 po)*
RTTL-8DM RTTL-8HT	Terminaison à tête ronde avec section coulissante	21,6 à 54,6 cm (8 1/2 à 21 1/2 po)*
ET-8DM ET-8HT	Enchâssure carrée : dessus	30 cm (12 po)*
ETO-8DM	Enchâssure carrée : dessus avec treillis	30 cm (12 po)*
ETL-8DM ETL-8HT	Enchâssure carrée : dessus avec section coulissante	17,8 à 38,1 cm (7 à 15 po)*
ETLO-8DM	Enchâssure carrée : dessus avec treillis et section coulissante	30 à 64,8 cm (12 à 25 1/2 po)*

* L'accroissement linéaire des terminaisons est mesuré au niveau de la hauteur de la sortie du conduit de fumée.

Figure 8 - Accroissement linéaire

INSTALLATION DU SYSTÈME DE VENTILATION

suite

UTILISATION DE COUDES DE DÉCALAGE (30E-8DM)

1. Afin d'obtenir le décalage voulu, vous pouvez installer toute combinaison de sections de conduit à double paroi de 30, 45, 60, 90 et 120 cm (12, 18, 24, 36 et 48 po) (voir le tableau des décalages, page 8 et la figure 9).

Remarque : dans le cas des systèmes avec deux coudes, la hauteur minimale est de 6,7 m (22 pi). La hauteur maximale de tous les systèmes est de 15 m (50 pi).

2. Le poids de la cheminée au-dessus du décalage repose sur le coude de retour. Des attaches doivent être solidement clouées aux solives ou aux chevrons (voir figure 10, détails A et B).

3. La longueur maximale du conduit entre les supports (coude de retour ou 12S-8DM) est 1,82 m (6 pi) de longueur d'angle. On peut installer un maximum de deux sections de longueur d'angle de 1,82 m (6 pi) par cheminée (voir figure 9).

4. Tous les raccords de conduit entre le décalage et le retour doivent être fixés à l'aide de deux vis sur le conduit extérieur uniquement (voir figure 11, page 10). Ne percez pas le conduit intérieur en acier inoxydable.

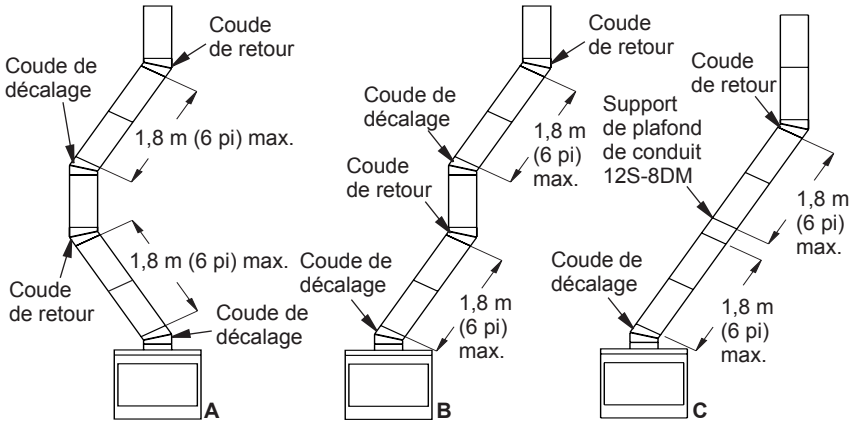


Figure 9 - Installation représentative d'un décalage

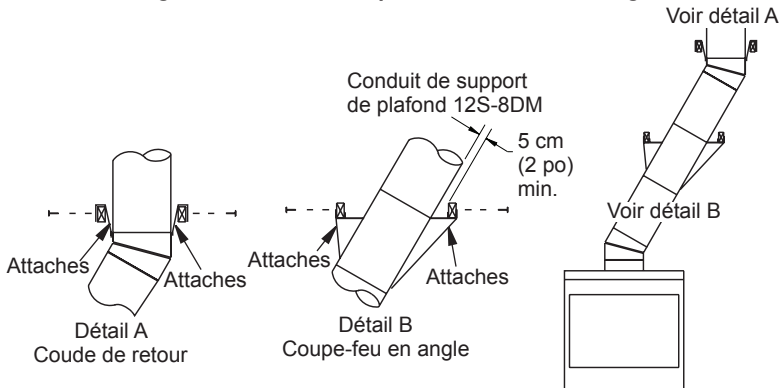


Figure 10 - Conduit de support de plafond 12S-8DM

INSTALLATION DU SYSTÈME DE VENTILATION

suite

DÉCALAGE A	MONTÉE B	LONGUEUR DE LA CHEMINÉE				
		122 cm (48 po)	91,5 cm (36 po)	61 cm (24 po)	45,7 cm (18 po)	30 cm (12 po)
11,1 cm (4 ³ / ₈ po)	41,6 cm (16 ³ / ₈ po)	JEU DE COUDES UNIQUEMENT				
24,8 cm (9 ³ / ₄ po)	64,8 cm (25 ¹ / ₂ po)					1
32,4 cm (12 ³ / ₄ po)	78,1 cm (30 ³ / ₄ po)				1	
38,1 cm (15 po)	88,3 cm (34 ³ / ₄ po)			1		
45,7 cm (18 po)	101,6 cm (40 po)				1	1
54 cm (21 ¹ / ₄ po)	117,5 cm (46 ¹ / ₄ po)		1			
60,3 cm (23 ³ / ₄ po)	125,1 cm (49 ¹ / ₄ po)			1	1	
70,5 cm (27 ³ / ₄ po)	144,1 cm (56 ³ / ₄ po)	1				
76,2 cm (30 po)	154,3 cm (60 ³ / ₄ po)		1		1	
83,8 cm (33 po)	167,6 cm (66 po)	1				1
91,4 cm (36 po)	180,3 cm (71 po)	1			1	
97,2 cm (38 ¹ / ₄ po)	190,5 cm (75 po)		2			
104,8 cm (41 ¹ / ₄ po)	203,8 cm (80 ¹ / ₄ po)		1		1	1
114,3 cm (45 po)	220,3 cm (86 ³ / ₄ po)		2			
118,7 cm (46 ³ / ₄ po)	227,3 cm (89 ¹ / ₂ po)	1			1	1
129,5 cm (51 po)	246,4 cm (97 po)	1	1			
135,3 cm (53 ¹ / ₄ po)	256,5 cm (101 po)		2		1	
142,9 cm (56 ¹ / ₄ po)	269,9 cm (106 ¹ / ₄ po)	2				
150,5 cm (59 ¹ / ₄ po)	283,2 cm (111 ¹ / ₂ po)	1	1		1	
156,9 cm (61 ³ / ₄ po)	293,3 cm (115 ¹ / ₂ po)	2				1
164,5 cm (64 ³ / ₄ po)	306,7 cm (120 ³ / ₄ po)	2			1	
173,4 cm (68 ¹ / ₄ po)	322,6 cm (127 po)	1	2			
177,8 cm (70 po)	330,2 cm (130 po)	2			1	1
188,6 cm (74 ¹ / ₄ po)	349,3 cm (137 ¹ / ₂ po)	1	2			1
195 cm (76 ³ / ₄ po)	359,4 cm (141 ¹ / ₂ po)	1	2		1	
202,6 cm (79 ³ / ₄ po)	372,7 cm (146 ³ / ₄ po)		4			

TABLEAU DES DÉCALAGES (HAUTEUR DU SYSTÈME : 6,7 à 15,2 m [22 à 50 pi])

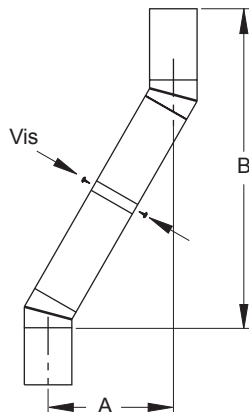


Figure 11 - Coude de décalage

INSTALLATION DU SYSTÈME DE VENTILATION

suite

ENTRETOISES DE PARE-FEU (V3600FS-8DM)

Des entretoises de pare-feu sont nécessaires à chaque endroit où la cheminée traverse un plancher. Elles servent à créer et à conserver le dégagement nécessaire entre la cheminée et les matériaux combustibles. Lorsque le conduit passe à travers une ouverture encadrée vers un espace habité au-dessus, un pare-feu doit être installé dans le plafond à partir du bas comme illustré à la figure 12.

Elles fournissent aussi une séparation complète entre un espace habité et le suivant ou avec le grenier comme requis par la plupart des codes. Lorsqu'un conduit à double paroi passe à travers une ouverture encadrée vers le grenier, un pare-feu doit être installé sur le plancher du grenier comme illustré à la figure 13.

Si la surface au-dessus est une pièce d'habitation, installez un coupe-feu en dessous du trou encastré.

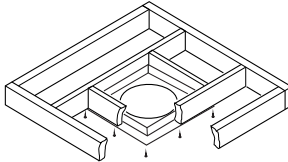


Figure 12 - Entretoise de pare-feu dans le cas d'un espace habitable au-dessus d'un plafond

Si la surface au-dessus est un grenier ou un espace non isolé, mettez un coupe-feu au-dessus du trou encastré.

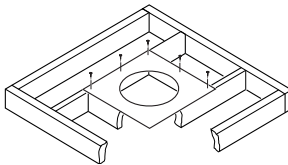


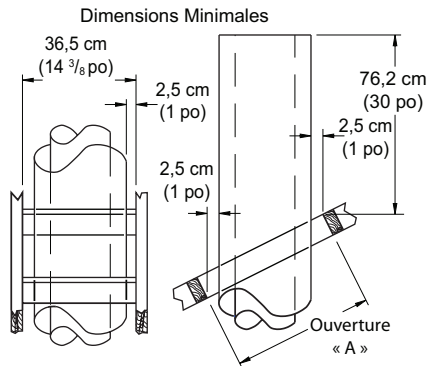
Figure 13 - Entretoise de pare-feu dans le cas d'un grenier au-dessus d'un plafond

PÉNÉTRATION DE LA TOITURE

Pour conserver un dégagement de 5 cm (2 po) du conduit sur une toiture avec une inclinaison, une ouverture rectangulaire doit être pratiquée.

1. Déterminez le point central où le conduit passera dans la toiture.

- Déterminez le point central sur la toiture. L'inclinaison est la distance que la toiture descend en fonction d'une portée donnée, habituellement 30 cm (12 po). Une inclinaison de 15/30 (6/12) signifie que la toiture descend de 15 cm (6 po) pour chaque 30 cm (12 po) mesurés horizontalement à partir des chevrons.
- Utilisez le tableau des ouvertures dans la toiture (figure 14) pour déterminer la longueur appropriée de l'ouverture et les solins requis.
- Enlevez les bardeaux autour de l'ouverture mesurée. Découpez cette portion.
- Ajoutez les sections suivantes du conduit jusqu'à ce que l'extrémité pénètre la ligne de la toiture. Vérifiez si les dégagements appropriés sont maintenus. Élevez la cheminée en ajoutant des sections de conduit à double paroi jusqu'à une hauteur minimale de 76 cm (30 po) au-dessus du plus haut point de l'ouverture pratiquée. La terminaison et la cheminée doivent atteindre au moins 92 cm (36 po) au-dessus du plus haut point où celle-ci passe à travers la toiture.



Inclinaison	Pente	Ouverture « A » max.	N° de modèle des solins utilisés
Plane	0 °	38,1 cm (15 po)	V6F-8DM
0-6/12	26,6 °	16 1/8"	V6F-8DM
6/12- 12/12	45,0 °	20 3/8"	V12F-8DM

Figure 14 - Dimensions des ouvertures dans la toiture

INSTALLATION DU SYSTÈME DE VENTILATION

suite

INSTALLATION DE SOLINS (V6F-8DM OU V12F-8DM)

Déterminez les solins requis à l'aide du tableau des ouvertures dans la toiture. Glissez les solins sur le conduit jusqu'à ce que la base arrive à plat contre la toiture. Remettez en place autant de bardeaux que nécessaire pour couvrir la zone exposée et la base des solins. Clouez en place à travers les bardeaux (voir figure 15). **NE CLOUEZ PAS À TRAVERS LE CÔNE DES SOLINS.**

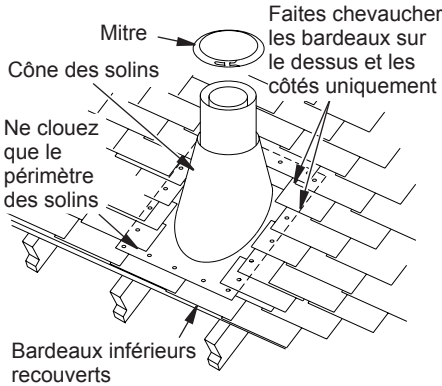


Figure 15 - Installation des solins

Installation de solins sur une toiture en métal

L'installation de solins sur une toiture en métal exige l'utilisation de ruban de mastic entre les solins et la toiture. Les solins doivent être fixés à la toiture à l'aide de vis n° 8 x 3/4 po et calfeutrés avec un enduit à toiture pour prévenir les fuites par les trous de vis. Un enduit à toiture doit aussi être appliqué sur le périmètre des solins pour assurer un joint étanche.

Installation d'une mitre (SC1 ou SC2)

Placez la mitre sur le conduit et glissez-la jusqu'à ce qu'elle appuie sur le rebord ouvert des solins (voir figure 16). Utilisez la mitre SC1 dans le cas des terminaisons rondes et la mitre SC2 pour toutes les terminaisons avec sections coulissantes. Appliquez un produit de calfeutrage sur le périmètre du collier pour assurer un joint étanche.

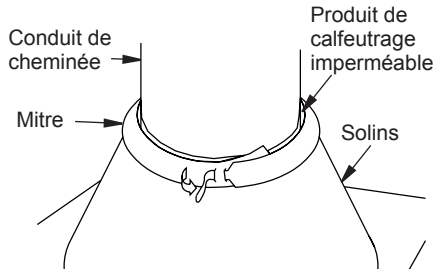


Figure 16 - Mitre

Terminaisons et pare-étincelles

Le système de foyer doit donner sur les terminaisons mentionnées à tête ronde ou enchâssée. Dans tous les cas, consultez les instructions d'installation fournies avec la terminaison. Les terminaisons approuvées pour ce foyer sont les modèles RT-8DM et RTL-8DM qui peuvent être utilisés pour les solins ou les enchâssures et les modèles ET-8DM, ETO-8DM, ETL-8DM et ETLO-8DM pour les terminaisons de type à enchâssure uniquement. La figure 17 montre une terminaison RTL-8DM à tête ronde.

ATTENTION ! Ne calfeutrez pas les ouvertures des solins de la toiture. Suivez les directives d'installation fournies avec la terminaison utilisée.

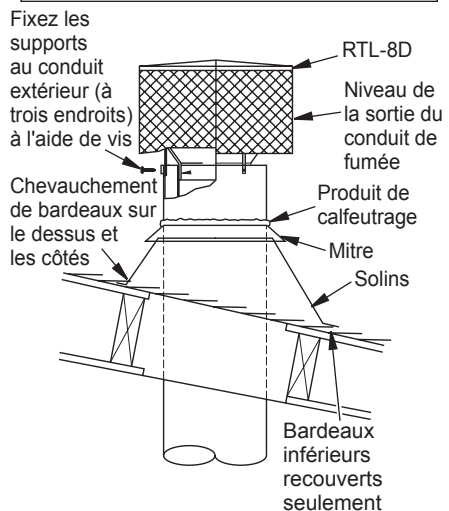


Figure 17 - Terminaison

INSTALLATION DU SYSTÈME DE VENTILATION

suite

Des terminaisons avec section coulissante de 40,6 cm (16 po) sont disponibles. Les modèles RTT-8DM et RTTL-8DM sont approuvés pour les installations de solins. S'il y a lieu, ces terminaisons réglables peuvent être utilisées avec un assemblage de conduits pour obtenir la hauteur appropriée de la cheminée.

Remarque : dans les rares cas où la pluie ou le vent venant de côté posent problème ou si la cheminée ne tire pas correctement, un écran de tirage ADS-8DM peut être utilisé avec les terminaisons à tête ronde.

INSTALLATIONS DANS UNE ENCHÂSSURE

Les instructions pour une installation dans une enchâssure sont fournies avec le style de terminaison choisi. Dans le cas d'une installation avec plusieurs enchâssures, assurez-vous de prévoir une distance suffisante entre les terminaisons pour prévenir la dispersion de fumée d'une terminaison à l'autre. Nous suggérons que les terminaisons soient éloignées d'au moins 60 cm (24 po), d'un centre à l'autre, et empilées avec une différence de hauteur de 46 cm (18 po) (voir figure 18).

Remarque : si vous voulez installer une enveloppe de protection décorative, communiquez avec le fabricant pour obtenir les spécifications.

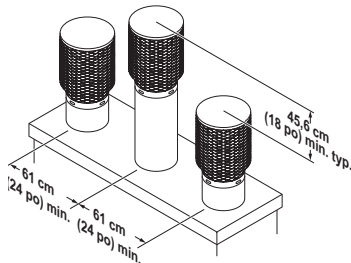


Figure 18 - Installation avec plusieurs enchâssures

RÈGLE DE TROIS MÈTRES (DIX PIEDS)

Toutes les terminaisons de sortie de conduit de fumée doivent dépasser d'au moins 91 cm (3 pi) au-dessus du point le plus élevé où le conduit traverse la toiture et être à au moins 60 cm (2 pi) au-dessus du point le plus élevé de la toiture dans un horizon de 3 m (10 pi) (voir figure 19).

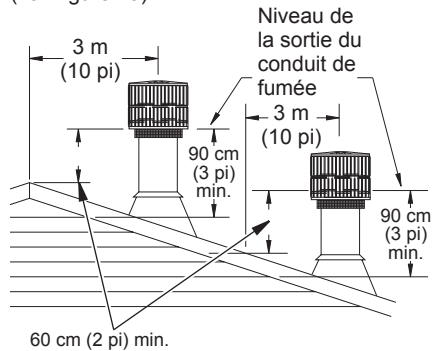


Figure 19 - Règle de 3 m (10 pi)

FINITION DU FOYER

Les matériaux combustibles comme les panneaux de revêtement mural, le placoplâtre, les plaques de plâtre, le contreplaqué, etc. peuvent être en contact direct avec la partie supérieure des côtés et de la façade du foyer. Il est important que les matériaux combustibles ne chevauchent pas la façade. La brique, le verre, les carreaux et d'autres matériaux non combustibles peuvent chevaucher la façade dans la mesure où ils n'obstruent pas les ouvertures essentielles comme les fentes d'évent. Dans le cas d'un chevauchement par des matériaux non combustibles, n'utilisez que du mortier ou de l'adhésif non combustible.

INSTALLATION DU SYSTÈME DE VENTILATION

suite

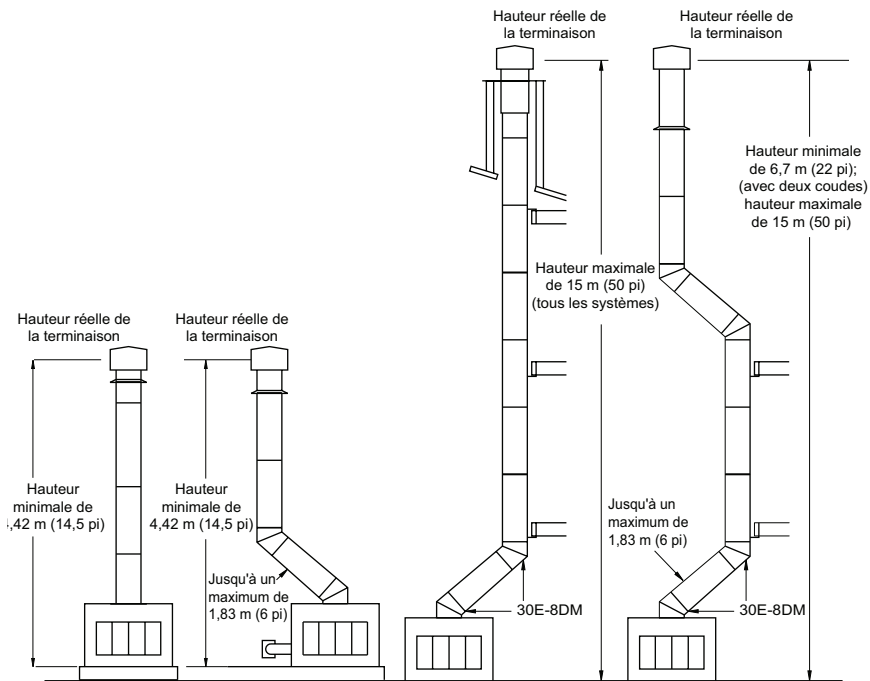


Figure 20 - Installations résidentielles représentatives

INSTALLATION D'UNE CANALISATION DE GAZ EN OPTION

Le raccordement de la canalisation de gaz doit être effectué par le fournisseur ou par du personnel qualifié.

Remarque : avant de commencer, assurez-vous que l'approvisionnement en gaz est fermé.

N'utilisez qu'un conduit de fer noir de 1,27 cm (1/2 po) et des raccords appropriés.

1. Enlevez l'alvéole défonçable sur le mur réfractaire ou le mur de brique situé au-dessus du plancher de l'âtre réfractaire. L'alvéole défonçable doit être frappée solidement avec un objet dur comme un goujon de 1,27 cm (1/2 po) jusqu'à ce qu'elle cède. Enlevez le matériau réfractaire brisé (voir figure 21).
2. Enlevez la plaque-couvercle de la canalisation de gaz située sur l'un des côtés du foyer et sortez l'isolant du manchon du conduit de la canalisation de gaz. Conservez l'isolant pour plus tard.

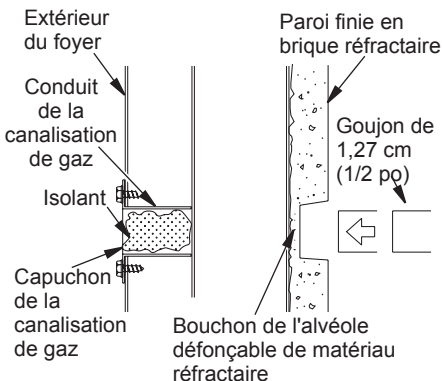


Figure 21 - Alvéole défonçable de la canalisation de gaz

INSTALLATION D'UNE CANALISATION DE GAZ EN OPTION

suite

3. Acheminez une canalisation de gaz en fer noir de 1,27 cm (1/2 po) dans le foyer par l'arrière par le manchon de conduit de canalisation de gaz (ajoutez de la hauteur si vous utilisez une plate-forme d'élévation). Prévoyez une longueur suffisante de conduit dans la chambre du foyer pour effectuer le raccordement (voir figure 22).

Remarque : fixez la canalisation de gaz à la structure de bois pour ajouter de la rigidité à l'extrémité fileté.

4. Remplacez l'isolant autour de la canalisation de gaz et dans l'ouverture du manchon. Calfeutrez tout vide entre la canalisation de gaz et le trou dans le matériau réfractaire avec un ciment réfractaire ou un ciment commercial pour fournaise. Installez l'appareil au gaz ou mettez un capuchon sur la canalisation de gaz si désiré.

ATTENTION ! Toutes les conduites de gaz et les raccords doivent être vérifiés pour les fuites après l'installation. Après vous être assuré que la vanne d'approvisionnement en gaz est ouverte, appliquez une solution savonneuse surtout les raccords et tous les joints. La présence de bulles indique une fuite. Réparez toutes les fuites immédiatement. N'UTILISEZ PAS DE FLAMME NUE POUR RECHERCHER LES FUITES ET NE FAITES FONCTIONNER AUCUN APPAREIL EN CAS DE FUITE. LA VÉRIFICATION DES FUITES DOIT ÊTRE EFFECTUÉE PAR DU PERSONNEL QUALIFIÉ.

Remarque : une hotte DESA Heating, LLC doit être installée si l'appareil est utilisé avec un ensemble de bûches à gaz sans système d'évacuation (voir [Accessoires](#), page 20).

AVERTISSEMENT : n'utilisez pas un ensemble de bûches sans système d'évacuation dans ce foyer s'il n'y a pas de cheminée.

Si vous installez un appareil au gaz décoratif (bûche à gaz avec système d'évacuation), l'appareil au gaz décoratif doit être conforme à la *Norme américaine sur les appareils au gaz décoratifs installés dans les foyers à combustible solide, ANSI Z21.60, Z21.84 ou RG 2-72* et doit aussi être installé conformément à la dernière version du *Code américain sur les gaz combustibles, ANSI Z223NFPA 54*.

AVERTISSEMENT : pour éviter d'endommager les matériaux du foyer et d'accroître le risque d'incendie, n'utilisez pas le foyer pour préparer ou réchauffer des aliments.

AVERTISSEMENT : si le foyer a été utilisé avec du bois, la chambre de combustion et la cheminée doivent être nettoyées de la suie, du crésote et des cendres par un ramoneur compétent. Le crésote prend feu lorsqu'il est très chaud.

AVERTISSEMENT : lorsque vous utilisez une bûche à gaz avec système d'évacuation décorative, le clapet doit être enlevé ou verrouillé en permanence en position ouverte et les portes vitrées doivent être complètement ouvertes.

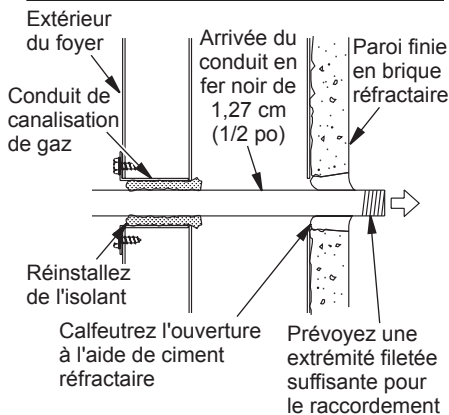


Figure 22 - Installation de la canalisation de gaz

FUNCTIONNEMENT ET ENTRETIEN

PORTES VITRÉES

Les portes vitrées sont en option avec ce foyer. Lorsque le foyer fonctionne, les portes vitrées doivent uniquement être complètement ouvertes ou complètement fermées; sinon, un risque d'incendie peut exister (voir figure 23).

Un foyer doté de portes vitrées fonctionne différemment d'un foyer ouvert. Un foyer avec portes vitrées dispose d'une quantité limitée d'air comburant. Il y a une chaleur excessive dans le foyer si le feu est trop important ou si la prise d'air comburant n'est pas entièrement ouverte.

Les conseils suivants doivent être suivis pour garantir que le foyer et les portes vitrées conservent leur apparence et fonctionnent correctement. Le clapet du conduit de fumée et les portes vitrées doivent être ouverts complètement avant d'allumer un feu. Cela fournira suffisamment d'air comburant et gardera une température sûre dans la chambre de combustion.

IMPORTANT : le verre doit pouvoir se réchauffer lentement et uniformément. Le verre trempé soutiendra une élévation graduelle de la température jusqu'à 288 °C (550 °F), ce qui est plus élevé qu'un feu de foyer normal. Les matériaux comme les bûches de camping ou à base de cire, le bois d'oeuvre très sec et de grandes quantités de papier ou de carton peuvent donner un feu excessivement chaud et ne devraient pas être brûlés dans ce foyer. Gardez toujours le feu loin des portes et ne laissez pas les flammes toucher le verre.

⚠ AVERTISSEMENT : les foyers dotés de portes vitrées ne doivent fonctionner qu'avec les portes complètement ouvertes ou fermées. Les portes partiellement ouvertes peuvent tirer des gaz et des flammes hors du foyer, créant des risques d'incendie et de fumée.

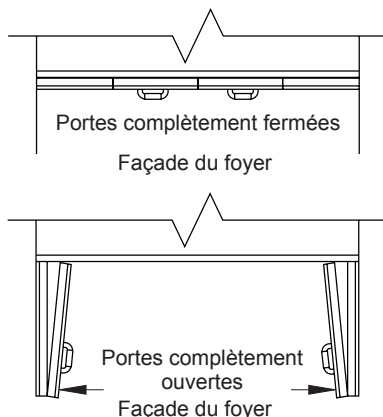


Figure 23 - Portes vitrées

Nettoyage du verre

Nettoyez le verre à l'aide d'un produit de nettoyage commercial pour le verre ou à l'eau savonneuse. N'utilisez pas de produit abrasif pour nettoyer le verre. Ne nettoyez pas le verre avec de l'eau froide si le verre est encore chaud à cause du feu ou de la fumée.

Une canalisation de gaz ou un allumeur de bûche à gaz peuvent être installés afin d'installer un appareil au gaz décoratif avec ou sans système d'évacuation doté d'un dispositif de fermeture automatique et conforme avec la *Norme américaine sur les appareils au gaz décoratifs installés dans les foyers à combustible solide, ANSI Z21.60* ou aux *Exigences de tirage de la American Gas Association pour les allumeurs de bûches à gaz pour les foyers à bois, N° de projet 4* du mois d'août 1993.

Si vous désirez installer un ensemble de bûches au gaz sans système d'évacuation (sans conduit d'évacuation), seuls les ensembles de bûches qui respectent la norme sur les appareils de chauffage d'appoint sans système d'évacuation, ANSI Z21.11.2, peuvent être installés dans ce foyer.

FONCTIONNEMENT ET ENTRETIEN

suite

FONCTIONNEMENT DE LA POIGNÉE DU CLAPET

La poignée du clapet, qui ouvre et ferme la pale du clapet, est située dans la chambre de combustion au centre vers le mur arrière (voir figure 24). Poussez la poignée dans la fente de la rainure pour permettre à la pale du clapet de s'ouvrir automatiquement. Pour fermer, poussez la poignée dans l'encoche en trou de serrure, puis tirez vers le bas et vers l'avant pour la verrouiller en place (voir figure 25).



AVERTISSEMENT : risque d'incendie! Ne remplacez la grille qu'avec le modèle 107001-01 de DESA Heating, LLC. Cette grille a été conçue pour que le foyer fonctionne de manière sûre et efficace.

Pour d'autres consignes sur le fonctionnement, des instructions et des renseignements sur la garantie, consultez le guide du propriétaire ou un marchand autorisé.

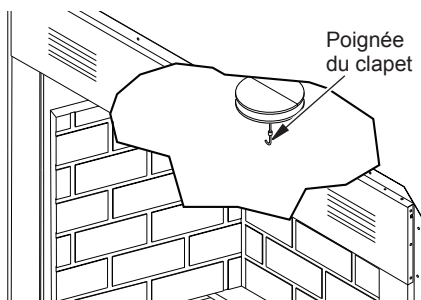


Figure 24 - Emplacement de la poignée du clapet

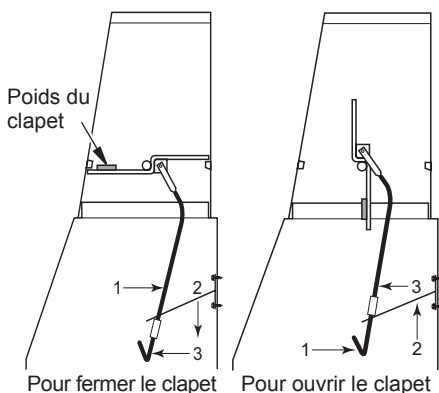


Figure 25 - Tige du clapet

SERVICE TECHNIQUE

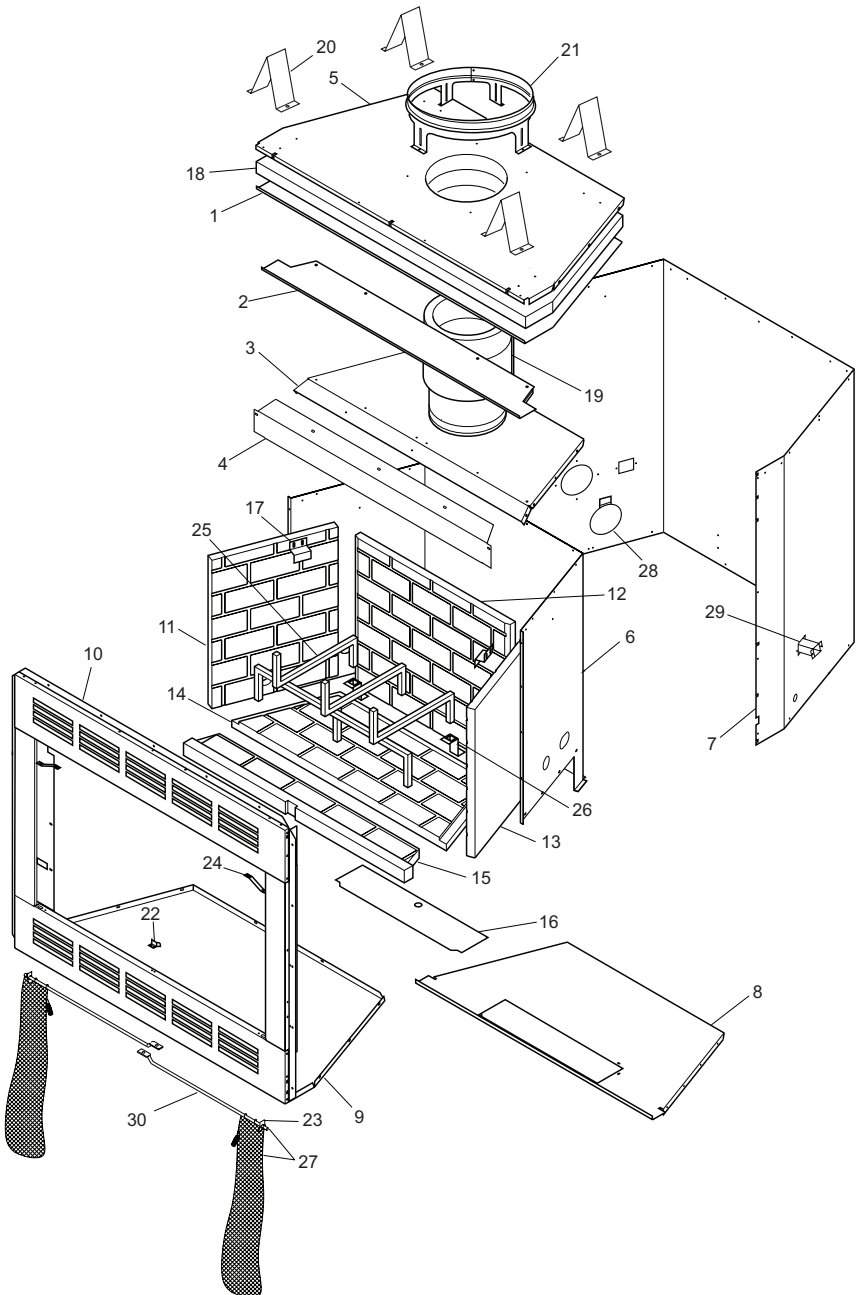
Vous aurez peut-être d'autres questions concernant l'installation, le fonctionnement ou le dépannage. Si c'est le cas, appelez DESA Heating, LLC au 1-866-672-6040. Lorsque vous appelez, veuillez avoir les numéros

de modèle et de série de votre appareil de chauffage sous la main.

Vous pouvez aussi visiter le site web de DESA Heating, LLC à l'adresse www.desatech.com.

PIÈCES

FOYER À BOIS, MODÈLES (V)B36, (V)B36I, (V)B36L, (V)B36LI, CWB36C



PIÈCES

FOYER À BOIS, MODÈLES (V)B36, (V)B36I, (V)B36L, (V)B36LI, CWB36C

Cette liste comprend les pièces de rechange utilisées dans votre foyer.

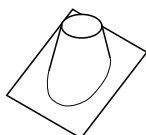
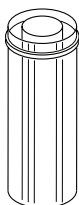
N°	N° DE PIÈCE	DESCRIPTION				QTÉ
			(V)B36(I)	(V)B36L(I)	CWB36C	
1	**	Plaque isolante	•	•	•	1
2	**	Séparateur d'air	•	•	•	1
3	**	Panneau supérieur de chambre de combustion	•	•	•	1
4	111431-01	Collecteur	•	•	•	1
5	**	Panneau supérieur de foyer	•	•	•	1
6	**	Boîtier de chambre de combustion	•	•	•	1
7	**	Boîtier extérieur/assemblage d'isolation	•	•	•	1
8	**	Panneau inférieur de chambre de combustion	•	•	•	1
9	**	Panneau inférieur de boîtier	•	•	•	1
10	107495-01	Ensemble soudé de façade		•	•	1
	107495-02	Ensemble soudé de façade	•			1
11	106971-01	Revêtement en brique gauche	•	•	•	1
12	106969-01	Revêtement en brique arrière	•	•	•	1
13	106970-01	Revêtement en brique droit	•	•	•	1
14	106972-01	Revêtement en brique inférieur	•	•	•	1
15	106973-01	Revêtement en brique inférieur frontal	•	•	•	1
16	21198	Plaque d'accès au souffleur	•	•	•	1
17	20027	Dispositif de retenue de matériau réfractaire	•	•	•	2
18	**	Supérieure isolante		•		1
19	**	Dispositif de retenue d'isolation	•	•	•	1
20	20280	Douille-entretoise supérieure	•	•	•	4
21	20023	Collier de bas de cheminée	•	•	•	1
22	20088	Butoir de porte	•	•	•	1
23	11418	Écrou capuchon	•	•	•	2
24	20090	Pince à ressort	•	•	•	2
25	107001-01	Grille à bois	•	•	•	1
26	106539-01	Dispositif de retenue de grille	•	•	•	2
27	107127-01	Pare-étincelles	•	•	•	1
28	**	Ensemble soudé de clapet latéral		•	•	1
29	107128-01	Conduit de gaz	•	•	•	4
30	20806	Tige de pare-étincelles	•	•	•	2
PIÈCES DISPONIBLES — PAS ILLUSTRÉES						
	14607	Interrupteur à bascule		•	•	1
	110037-01	Assemblage de conduit électrique		•	•	1
	110283-01	Conduit flexible 15 x 95 cm (6 x 37 1/2 po)			•	1
	20093	Protecteur de braises	•	•	•	2

** Cette pièce n'est pas remplaçable hors de l'usine.

ACCESSOIRES

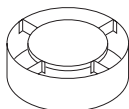
CONDUIT À DOUBLE PAROI

12-8DM 12-8HT
18-8DM 18-8-HT
24-8DM 24-8HT
36-8DM 36-8HT
48-8DM 48-8HT



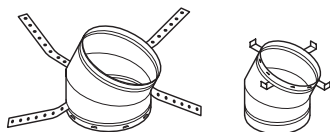
SOLINS DE TOITURE

INCLINAISON 0 À 6/12 - V6F-8DM
INCLINAISON 6/12 À 12/12 - V12F-8DM



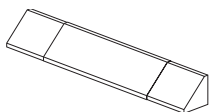
ÉCRAN DE TIRAGE

(terminaison à tête ronde uniquement)
ADS-8DM



DÉCALAGE DE 30 ° ET RETOUR

30E-8DM, 30E-HT



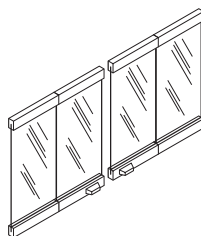
HOTTE RÉGLABLE

Fini laiton antique - GA6053

Fini laiton poli - GA6052

Fini peint noir - GA6050

Nécessaire pour l'installation de bûches à gaz sans système d'évacuation de gaz dans ce foyer.



PORTE VITRÉE PLIABLE

BDB36 - Noire

BDB36B - Laiton brossé

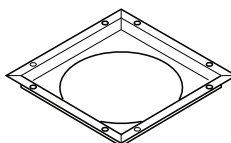
BDB36P - Platine



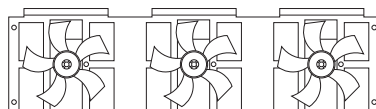
MITRE

SC1-1 pour RT-8DM et RTL-8DM

SC1-2 pour RTT-8DM et RTTL-8DM



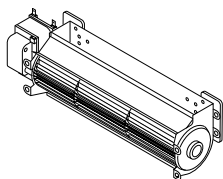
ENTRETOISE DE CHAMBRE DE COMBUSTION - V3600FS-8DM



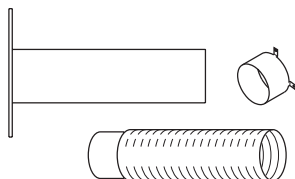
PRÊT-À-MONTER DE VENTILATEUR - BK3

ACCESSOIRES

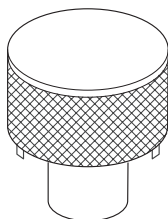
suite



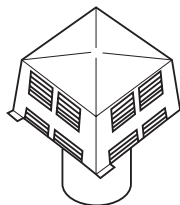
PRÊT-À-MONTER DE SOUFFLEUR - BK



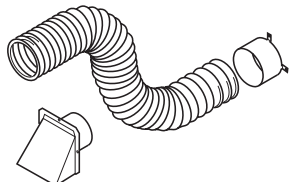
**PRÊT-À-MONTER DE GAINÉ D'AIR
EXTÉRIEUR POUR INSTALLATION
AU SOL - AK4F**



**TERMINAISONS À TÊTE RONDE
RT-8DM, RTL-8DM, RT-8HT, RLT-8HT
TERMINAISONS À TÊTE RONDE
AVEC SECTION COULISSANTE
RTT-8DM, RTTL-8DM, RTT-8HT, RTTL-8HT**

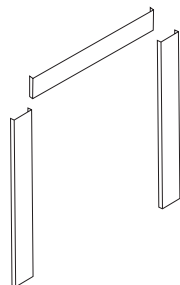


**TERMINAISON SUPÉRIEURE
CARRÉE POUR ENCHÂSSURE
ET-8DM, ET-8DM, ET-8HT**



**PRÊT-À-MONTER DE GAINÉ D'AIR
EXTÉRIEUR POUR INSTALLATION
SUR UN MUR LATÉRAL - AK4**

**TERMINAISON SUPÉRIEURE AVEC
SECTION COULISSANTE - ETL-8DM,
ETL-8DM, ETL-8HT**



**PROLONGEMENT DE FAÇADE
FE3602**



DESA Heating, LLC
2701 Industrial Drive
P.O. Box 90004
Bowling Green, KY 42102-9004, États-Unis
www.desatech.com
1-866-672-6040



109034 01
NOT A UPC

109034-01
Rev. G
01/08