

BloomSky Outdoor Weather Station

User Guide for Model SKY1

Join the #Weatherlution

facebook.com/bloomsky

instagram.com/bloomskyweather

Blog at weatherlution.com

www.bloomsky.com

+1-650-666-0855

support@bloomsky.com



BloomSky Accessories



INDOOR WEATHER STATION



SOLAR PANEL KIT



MOUNTING KIT

Table of Contents

| | |
|--|----|
| Join the #Weatherlution | 1 |
| BloomSky Accessories | 1 |
| Meet your BloomSky | 3 |
| Intended Use | 3 |
| Requirements | 3 |
| In the Box | 4 |
| Your Outdoor Station | 4 |
| Indicator Lights | 4 |
| Getting Started | 5 |
| Setup Guidelines | 5 |
| Placing your BloomSky | 5 |
| Troubleshooting | 5 |
| Technical Specifications | 6 |
| Camera | 6 |
| Sensors | 6 |
| Power Options | 7 |
| Connectivity | 7 |
| Material/Design | 7 |
| App Features and Operating Systems | 7 |
| Firmware Updates | 8 |
| For your Safety | 8 |
| Installation and Use | 8 |
| Keeping the Lens Clean | 8 |
| Handling | 8 |
| Avoid Harsh Environments | 9 |
| Warranty | 9 |
| Disposal | 9 |
| Federal Communications Commission Compliance (FCC) | 10 |
| IC Rules | 11 |
| Explanation of Symbols | 12 |

Meet your BloomSky

Thank you for purchasing the BloomSky Outdoor Station, the personal weather station + sky camera compatible with iOS and Android devices. The Outdoor Station is a weather measurement device that uses internal sensors to give you a hyper-local weather report based on its location. It provides visually-rich, accurate, hyperlocal weather data that is updated every three to eight minutes.

The camera turns on 30 minutes before sunrise and turns off 30 minutes after sunset. During the first and last hour of the day when the camera is on, it takes a pictures every 3 minutes to better capture sunrise and sunset. These images will be automatically combined at the end of every day into a spectacular time-lapse video for you to view and share.

To begin, download the BloomSky app for your phone if you have not already done so. The BloomSky app is used for setup of your weather station and to view, save, and share the weather data.

Read this manual before use and keep it for your future reference. It will help you through the setup process of your BloomSky Outdoor Station (model SKY1), introduce you to your device, guide you through troubleshooting and completing a hard reset. If you need any further assistance with your BloomSky Outdoor Station, you can call our customer support line at +1-650-666-0855 or email us at support@bloomsky.com.

Intended Use

The BloomSky Outdoor Station is designed to allow you to record and share weather data and pictures from its location. The data and images will be sent to the cloud through Wi-Fi. Users can search, view, and share these data and images anywhere through the BloomSky mobile application. For your privacy you can choose for your BloomSky's data to not be publicly searchable. This can be set and changed in "settings" menu of the BloomSky app. Please refer to our [Terms of Service](#) for further details.

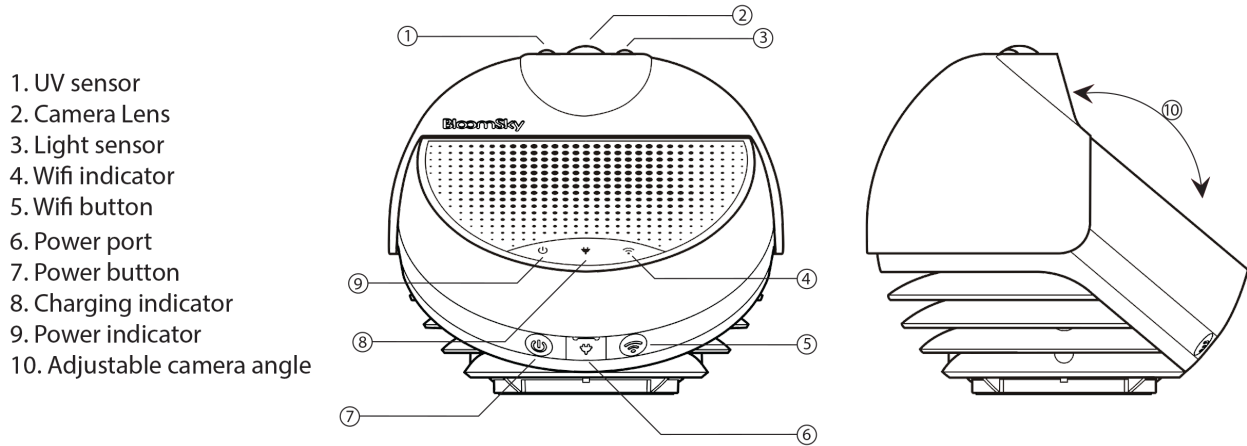
Requirements

- iOS version 7.0 or higher or
- Android version 4.0 or higher
- 2.4GHz wifi connection
- BloomSky app installed on a smartphone or iPod. App is available from the App Store or Google Play Store.

In the Box

- One Outdoor Module
- One Power Adaptor
- One Ground Stake
- One Installation Guide

Your Outdoor Station



1. UV sensor
2. Camera Lens
3. Light sensor
4. Wifi indicator
5. Wifi button
6. Power port
7. Power button
8. Charging indicator
9. Power indicator
10. Adjustable camera angle

Indicator Lights

| Indicator Light | Status | Meaning |
|--------------------------|--|--|
| Power Indicator | Flashes green 1 time | Device is powering up. |
| | Flashes green 3 times, every 3 seconds | Low battery. |
| Charger Indicator | Solid Red | Device is charging |
| Wi-Fi Indicator | Flashing Red (with a solid green power indicator) | Waiting for a network to be configured. Wi-fi setting mode. |
| | Flashing Orange (with a solid green power indicator) | Station is connecting to Wi-Fi. |
| | Flashing Green | A network has been successfully configured and the device is in "Real-Time Mode." Used for completing setup. |
| | Solid Green for 10 seconds | Device is in normal working mode and busy transmitting a picture. |

Getting Started

Setup Guidelines

Detailed setup instructions are available in the [Outdoor Station Installation Guide](#). Below are guidelines for a successful setup.

- Before starting setup, you must install the BloomSky app on your iOS or Android mobile device. Links are available at www.bloomsky.com. Or you can download directly from the App Store or Google Play.
- Connect your device to the same 2.4GHz Wi-Fi network you will connect your BloomSky to.
- To ensure a strong signal strength, stay within 5 feet of your router during setup.
- If it takes longer than 3 minutes for your device to connect, you may be too far from your Wi-Fi router or you may have entered the wrong Wi-Fi password. Perform a hard reset of the device and restart the setup process.
- After you open the BloomSky app and create your account, select “Setup a BloomSky Device.” Once you’ve completed the setup of your Outdoor Station, you may add an Indoor Station at any time.
- After you complete the initial setup, the Outdoor Station will connect automatically to your Wi-Fi, barring a connection interruption, to upload weather data and pictures to the BloomSky Cloud every three to eight minutes.

Placing your BloomSky

Your BloomSky Weather Station will perform best when it’s fully exposed to the elements. Try to install your device where it will see direct sunlight and is as far as possible from tall obstacles (like trees, buildings, or fences), artificial heat sources (like ventilation ducts and air conditioning units), and moisture sources (such as garden irrigation systems and roof gutters). Accordingly:

- Install your BloomSky in a location with a clear view of the sky. Trees, roof eaves, or other obstacles can cause the pictures to be overexposed.
- Keep your BloomSky raised above paved surfaces, especially blacktop. Blacktop radiates heat and could confuse the sensors.
- Be sensitive to sprinklers triggering the precipitation sensor.
- Try to place your BloomSky at least 10 feet away from any artificial heat or cooling source (this includes air conditioning units, heating vents, chimneys, etc.) to aid in accurate reporting.
- Finally, the higher your device, the better!

Troubleshooting

| Problem | Solution |
|---|--|
| <ul style="list-style-type: none"> The Power indicator quickly flashes green 3 times, every 3 seconds | <ul style="list-style-type: none"> The battery is low and the device needs to charge. |
| <ul style="list-style-type: none"> When the device is in Wi-Fi setting mode, Network LED always shows orange color and flash | <ul style="list-style-type: none"> The device cannot get the IP address from router. Please confirm your router's DHCP function is enabled. |
| <ul style="list-style-type: none"> If the Network Indicator light continues to flash red while you are completing setup. | <ul style="list-style-type: none"> The device can not receive the Wi-Fi network information correctly. Please confirm: <ul style="list-style-type: none"> Your Wi-Fi is not on a 5 GHz band Your device is close (within 5 feet) of your router. |

A Hard Reset restores your device to factory settings. Press and hold the Wi-Fi button for about 5-6 seconds, or until the power indicator stays green. Release the button and after 2 seconds, the power indicator will flash green again. After 1 more second, the Wi-Fi indicator will start flashing red. Your device has now returned to the Wi-Fi Setting Mode.

Note: DO NOT manually power off device when resetting Wi-Fi. The device will automatically restart and the Wi-Fi will return to a blinking red icon.

Technical Specifications

Camera

- Ultra-wide angle HD camera built-in with 49-degree adjustable shooting angle and fisheye lens
- Capture sky pictures around every 5 minutes or upon sudden change of temperature, humidity or precipitation.
- Compressed time lapse video of sky view generated at end of the day
- Turn on at dawn and turn off at dusk based on sunrise and sunset in your area.

Sensors

- 5-in-1 sensors measure temperature, humidity, barometric pressure, UV exposure, and precipitation (detection only) with the following tolerances
- Operating temperature range: -4°F (-20°C) to 131°F (55°C)
- Temperature accuracy: ±3°C (max)

- Relative humidity precision : $\pm 4\%$ RH (max), 0–80% RH
- UV exposure range: 280nm - 400nm (UV-A, UV-B)
- Absolute pressure range: 260 - 1260 mbar
- Smart photometric sensor measures daylight brightness and ensures correct exposure
- Patented smart rain sensor distinguishes precipitation from other moisture and responds instantly when rain starts to fall

Power Options

- Powered by a rechargeable lithium-ion battery
- Battery operating and charging temperature range: -4°F (-20°C) to 131°F (55°C)
- Operating time: up to two weeks per charge
- Low battery alert sends push notifications on mobile apps
- Charging Option 1: through A/C Input
 - 100-240V~50/60Hz(worldwide use), Output: DC 12V-2A
- Charging Option 2: through solar panel
 - Output: DC 12V-1A

Connectivity

- Wi-Fi connection
- WLAN Standard: Single-band 2.4GHz IEEE 802.11b/g/n
- Frequency Range: 2412 MHz ~ 2462 MHz (2.4 GHz ISM Band)
- Number of Channels: 2.4GHz: Ch1 ~ Ch11

Material/Design

- Water, dust, UV-resistant when the Outdoor Station is positioned upright
- Stake apparatus stands upright on for insertion in patio or garden soil
- Mounting hardware designed for placement on roof/railing

App Features and Operating Systems

- Smartphone and tablet apps available
- iOS version 7.0 or higher
- Android version 4.0 or higher
- Access real-time weather data, sky pictures, alert notifications, and time-lapses via the App
- View real-time photos of the sky to learn more about your weather. Pictures are updated every five minutes.

- Learn about real-time Temperature, Humidity, UV, Pressure, and Precipitation for your Outdoor Weather Station. Data is updated every five minutes.
- Search and follow other BloomSky users to access their weather stations' hyper-local weather reports.
- Share your weather and sky pictures with your friends and family.
- Track the sky and cloud movement throughout your day.
- Use the app to set up your BloomSky Outdoor Station and BloomSky Indoor Station.
- Receive rain alerts and notifications of major weather events.

Firmware Updates

The firmware inside of your Outdoor Station can be automatically updated through its Wi-Fi connection to the BloomSky Cloud.

For your Safety

WARNING: Failure to follow these safety instructions could result in fire, electric shock, or other personal injury or loss or damage to the Product or other property.

Installation and Use

Please read and follow all installation instructions carefully. To avoid risk of shock or falls, do not install in wet weather or at night. Use only as specified in the user manual, including being sure to orient the camera away from homes, windows, walkways or areas where people are likely to pass through. Not for use as a general webcam, security monitor, or surveillance device.

Keeping the Lens Clean

Clean lens immediately if it comes into contact with any contaminants that may cause stains, such as ink, dyes, makeup, oils, and lotions. To clean the lens, use a soft, slightly damp cloth. Avoid window cleaners, household cleaners, aerosol sprays, solvents, alcohol, ammonia, or abrasives.

Handling

The Product contains sensitive components. Do not drop, disassemble, crush, puncture, incinerate, paint, or insert foreign objects into the Product. Inspect the Product periodically for

damage, including battery leakage or damage to the electrical cord, as applicable. Do not use the Product or handle before unplugging if it has been damaged.

Avoid Harsh Environments

The Product is designed to be operated in temperatures between -4°F (-20°C) to 131°F (55°C). Extreme temperatures may affect battery life or functionality. While the Product is designed for use outdoors and in rain, avoid immersion in water or other liquids. If the Product gets extremely wet, allow it to dry thoroughly before handling. Do not attempt to dry the Product with an external heat source, such as an oven, microwave oven or hair dryer.

Warranty

BloomSky warrants that for a period of 1 year from shipment the product will be free from defects in materials and workmanship under normal use. In the event of a defect, contact BloomSky at <https://www.BloomSky.com/contact/> or 1-650-666-0855 for return instructions. BloomSky's sole obligation under this warranty will be at its option to repair or replace the product. This warranty does not apply to products damaged by misuse, accident, or normal wear and tear. The product is not designed for or warranted against damage from use in areas subject to electrical interference, extreme heat or cold, immersion under water, or other inherently hazardous environments. In addition, BloomSky does not warrant the accuracy of weather data or forecasts obtained from use of the product. ALL IMPLIED WARRANTIES OF MERCHANTABILITY OR FITNESS FOR A PARTICULAR PURPOSE ARE LIMITED TO THE DURATION OF THIS WARRANTY. BLOOMSKY DISCLAIMS ALL OTHER EXPRESS OR IMPLIED WARRANTIES OR CONDITIONS. TO THE EXTENT NOT PROHIBITED BY LAW, IN NO EVENT WILL BloomSky BE LIABLE FOR ANY SPECIAL, INDIRECT, CONSEQUENTIAL, INCIDENTAL OR PUNITIVE DAMAGES, HOWEVER CAUSED, ARISING OUT OF OR RELATED TO THE USE OF OR INABILITY TO USE THE PRODUCT, EVEN IF BloomSky HAS BEEN ADVISED OF THE POSSIBILITY OF SUCH DAMAGES. IN NO EVENT WILL BloomSky'S LIABILITY EXCEED THE AMOUNT PAID BY YOU FOR THE PRODUCT. Some jurisdictions do not allow limitations on how long an implied warranty lasts, or the exclusion or limitation of incidental or consequential damages, so the above limitations or exclusions may not apply to you. This warranty gives you specific legal rights, and you may also have other rights which vary by jurisdiction.

Disposal

Waste electrical products should not be disposed of with household waste. Please recycle where facilities exist. Check with your local Authority or retailer for recycling advice.

Federal Communications Commission Compliance (FCC)

This device complies with Part 15 of the FCC Rules. Operation is subject to the following two conditions:

- (1) This device may not cause harmful interference, and
- (2) This device must accept any interference received, including interference that may cause undesired operation.

Cet appareil est conforme à la section 15 des réglementations de la FCC. Le fonctionnement de l'appareil est sujet aux deux conditions suivantes :

- (1) cet appareil ne doit pas provoquer d'interférences néfastes, et
- (2) cet appareil doit tolérer les interférences reçues, y compris celles qui risquent de provoquer un fonctionnement indésirable.

Note: This product has been tested and found to comply with the limits for a Class B digital device, pursuant to Part 15 of the FCC Rules. These limits are designed to provide reasonable protection against harmful interference in a residential installation. This product generates, uses, and can radiate radio frequency energy and, if not installed and used in accordance with the instructions, may cause harmful interference to radio communications. However, there is no guarantee that interference will not occur in a particular installation. If this product does cause harmful interference to radio or television reception, which can be determined by turning the equipment off and on, the user is encouraged to try to correct the interference by one or more of the following measures:

- Reorient or relocate the receiving antenna.
- Increase the separation between the equipment and receiver.
- Connect the equipment into an outlet on a circuit different from that to which the receiver is connected.
- Consult the dealer or an experienced radio/TV technician for help.

Please take attention that changes or modification not expressly approved by the party responsible for compliance could void the user's authority to operate the equipment.

This equipment should be installed and operated with a minimum distance 20cm between the radiator and your body

Cet équipement doit être installé et utilisé à une distance minimale de 20 cm entre le radiateur et votre corps

IC Rules

This device complies with Industry Canada licence-exempt RSS standard(s). Operation is subject to the following two conditions:

- (1) this device may not cause interference, and
- (2) this device must accept any interference, including interference that may cause undesired operation of the device.

Le présent appareil est conforme aux CNR d'Industrie Canada applicables aux appareils radio exempts de licence. L'exploitation est autorisée aux deux conditions suivantes :

- (1) l'appareil ne doit pas produire de brouillage, et
- (2) l'utilisateur de l'appareil doit accepter tout brouillage radioélectrique subi, même si le brouillage est susceptible d'en compromettre le fonctionnement.

Under Industry Canada regulations, this radio transmitter may only operate using an antenna of a type and maximum (or lesser) gain approved for the transmitter by Industry Canada. To reduce potential radio interference to other users, the antenna type and its gain should be so chosen that the equivalent isotropically radiated power (e.i.r.p.) is not more than that necessary for successful communication.

Conformément à la réglementation d'Industrie Canada, le présent émetteur radio peut fonctionner avec une antenne d'un type et d'un gain maximal (ou inférieur) approuvé pour l'émetteur par Industrie Canada. Dans le but de réduire les risques de brouillage radioélectrique à l'intention des autres utilisateurs, il faut choisir le type d'antenne et son gain de sorte que la puissance isotrope rayonnée équivalente (p.i.r.e.) ne dépasse pas l'intensité nécessaire à l'établissement d'une communication satisfaisante.

Explanation of Symbols



Symbol for the “Owner’s Manual – Must be read”



Symbol for “Caution”



Symbol for “TYPE BF APPLIED PARTS”



Symbol for “ENVIRONMENT PROTECTION – Waste electrical products should not be disposed of with household waste. Please recycle where facilities exist. Check with your local Authority or retailer for recycling advice.”

Manufactured for BloomSky, Inc.

723 N.Shoreline Blvd,Mountain View,CA 94043

www.BloomSky.com

BloomSky is the trademark of BloomSky, Inc.

iPhone is a trademark of Apple Inc. registered in the U.S. and other countries.

Android is a trademark of Google Inc.

©2015 BloomSky, Inc. All rights reserved.