

CD32M(-1)(-2)

CD36M(-1)(-2)

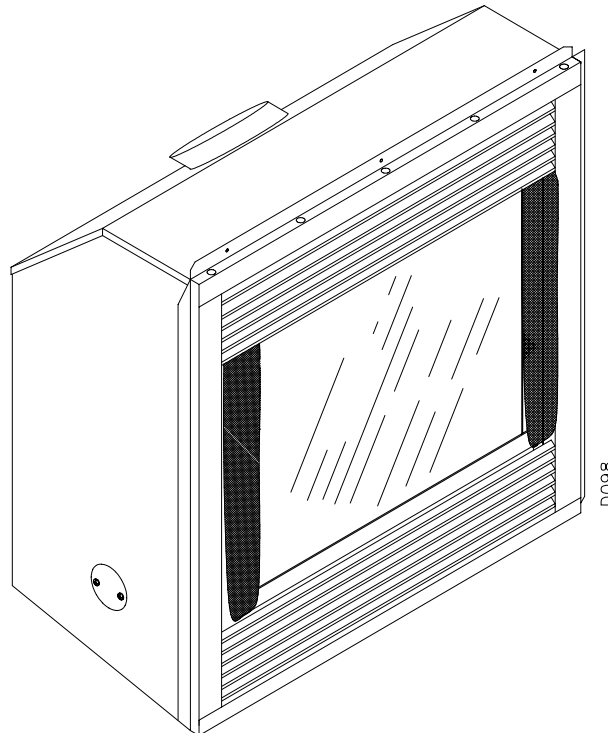
CD42M

DIRECT VENT GAS FIREPLACE INSTALLATION INSTRUCTIONS

SAVE THIS BOOK

This book is valuable. In addition to instructing you on how to install and maintain your appliance, it also contains information that will enable you to obtain replacement parts or accessory items when needed. Keep it with your other important papers.

This fireplace may be installed as an OEM installation in a manufactured (mobile) home and must be installed in accordance with the manufacturers instructions and the Manufactured Home Construction and Safety Standard, *Title 24 CFR*, Part 3280 in the United States or the Mobile Home Standard, CAN/CSA Z240 MH Series, in Canada. This fireplace is only for use with the type(s) of gas indicated on the rating plate. A conversion kit is supplied with the fireplace.



▲ **WARNING:** This Direct Vent gas fireplace is intended for use with natural or propane gas only (depending on the type of gas your particular model is approved for), do not attempt to burn any solid fuels in this fireplace.

This fireplace is manufactured for Stylecrest Inc. under the Coleman brand name by DESA International Inc.

DESA INTERNATIONAL
2701 INDUSTRIAL DRIVE
P.O. BOX 90024
BOWLING GREEN, KY 42101-9004
www.desatech.com

P/N 109194-01
REV D
10/02

CONTENTS

1.	INTRODUCTION	-----	PG. 2
2.	SELECTING LOCATION	-----	PG. 2
3.	MINIMUM CLEARANCES	-----	PG. 3
4.	VENT PIPE AND TERM. CLEARANCES	-----	PG. 3-4
5.	VENTING INSTRUCTIONS	-----	PG. 5
6.	FRAMING	-----	PG. 6
7.	GAS SUPPLY TESTING AND HOOK-UP	-----	PG. 7
8.	PILOT ADJUSTMENT	-----	PG. 8
9.	SPECIFICATION TABLE	-----	PG. 8
10.	GLASS PANEL REMOVAL	-----	PG. 9
11.	LOG INSTALLATION	-----	PG. 9
12.	BURNER FLAME ADJUSTMENT	-----	PG. 10
13.	WIRING DIAGRAM	-----	PG. 10
14.	LIGHTING INSTRUCTIONS	-----	PG. 11
15.	CONVERSION KIT	-----	PG. 12-13
16.	TROUBLESHOOTING	-----	PG. 14
17.	ILLUSTRATED PARTS BREAKDOWN	-----	PG. 15-16
18.	ILLUSTRATED PARTS LIST	-----	PG. 17
19.	ACCESSORY AND REPLACEMENT PARTS	-----	PG. 18

FOR YOUR SAFETY

- Do not store or use gasoline or any other flammable vapors or liquids in the vicinity of this or any other appliance.
- Due to high temperatures, the appliance should be located out of traffic and away from furniture and draperies.
- Do not place clothing or other flammable materials on or near the appliance.
- NEVER leave children unattended when a fire is burning in the fireplace.

FOR YOUR SAFETY

WHAT TO DO IF YOU SMELL GAS

- Do not try to light any appliance.
- Do not touch any electrical switch.
- Do not use any phone in your building.
- Immediately call your gas supplier from a neighbor's phone. Follow the gas supplier's instructions.
- If you cannot reach your gas supplier, call the fire department.

▲ **WARNING:** Improper installation, adjustment, alteration, service or maintenance can cause injury, property damage, or loss of life. Refer to this manual for assistance or additional information. Consult a qualified installer or local distributor.

CHECK LOCAL CODES BEFORE INSTALLING THIS FIREPLACE.

INTRODUCTION

Models CD32M series, CD36M series and CD42M are heat circulating gravity direct vent gas fireplaces with sealed combustion chamber. These fireplaces use millivolt gas control valve and millivolt ignition system.

These fireplaces are convertible with the standard setup as natural gas. Conversion may be performed by the O.E.M. mobile home builder or by a qualified service person on-site. If you are uncertain as to what gas your unit is equipped for, please check the rating plate located in the interior of the appliance opening or consult your mobile home supplier or your local distributor of DESA/Coleman products.

BEFORE BEGINNING THE INSTALLATION OF THE FIREPLACE, READ THESE INSTRUCTIONS THROUGH, COMPLETELY.

- ◆ This DESA/Coleman fireplace and its components are safe when installed according to this installation manual. Unless you use DESA/Coleman components, which has been designed and tested for the fireplace system, you may cause a fire hazard.
- ◆ The DESA/Coleman warranty will be voided by and DESA/Coleman disclaims any responsibility for the following actions:

- a) Modification of the fireplace, components, doors, blower, fans, air inlet system and damper control.
- b) Use of any component part not manufactured or approved by DESA/Coleman in combination with a DESA/Coleman fireplace system.

PROPER INSTALLATION is the most important step in ensuring safe and continuous operation of the fireplace. Consult the local building codes as to the particular requirements concerned with the installation of all factory built fireplaces. This fireplace, when installed, must be electrically grounded in accordance with local codes, or in absence of local codes, with the National Electrical Code ANSI/NFPA 70 and CSA C22.2 Canadian electrical code for Canada.

The installation must conform to local codes, or in the absence of local codes, with the national Fuel Gas Code ANSI Z223.1 – current installation code CAN/CGA-B149. This appliance complies with ANS Z21.88-2000/CSA 2.22-2000 VENTED GAS FIREPLACE HEATERS.

SELECTING LOCATION

To determine the safest and most efficient location for the fireplace, you must take into consideration the following guidelines:

- ❖ The location must allow for proper clearances (see figure 1).
- ❖ Consider a location where the fireplace would not be affected by drafts, air conditioning ducts, windows or doors.
- ❖ A location that avoids the cutting of joists or roof rafters will make installation easier.

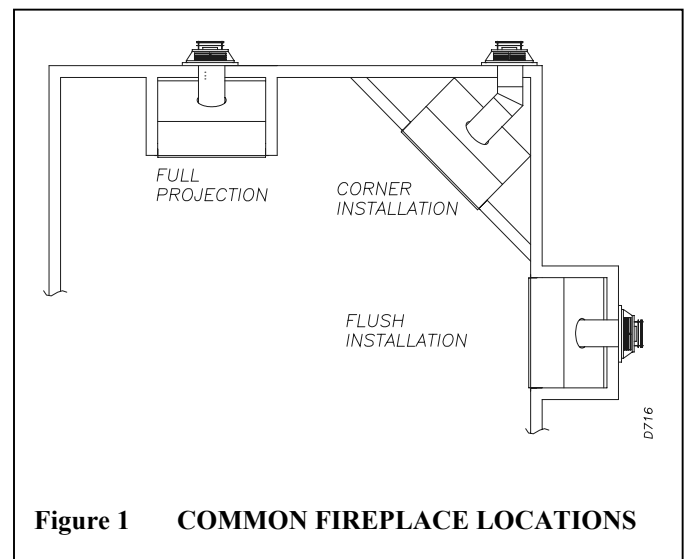


Figure 1 COMMON FIREPLACE LOCATIONS

Flush installation is recommended where living space is limited.

Projected installation may be ideal for a new addition on an existing finished wall.

Corner installation makes use of a space that may not normally be used and provides a wider and more efficient range for radiant heat transfer.

In selecting a location, the following precautions must be observed:

- ❖ Do not connect this appliance to a chimney system used for solid fuel burning fireplace.
- ❖ Due to high temperatures, do not locate this appliance in high traffic areas or near furniture and draperies.
- ❖ Never obstruct the front opening of the appliance or the flow of combustion and ventilation air. Keep control compartments accessible.
- ❖ Do not locate close to where gasoline or other flammable liquids may be stored. The appliance area must be kept clear and free from these combustible materials.
- ❖ Do not use this appliance if any part has been under water. Immediately contact a local service technician to examine the fireplace and to replace any part of the control ignition system and other related components that has been submerged under water.

MINIMUM CLEARANCES TO COMBUSTIBLES

- Back and side of fireplace ----- 0”
- Floor ----- 0”
- Perpendicular wall ----- 6”
- Front ----- 36”
- Top of Standoffs ----- 0”

MANTEL CLEARANCES

Woodwork, such as wood trims, mantels and other combustible materials should be placed within the required clearance specified on figure 2.

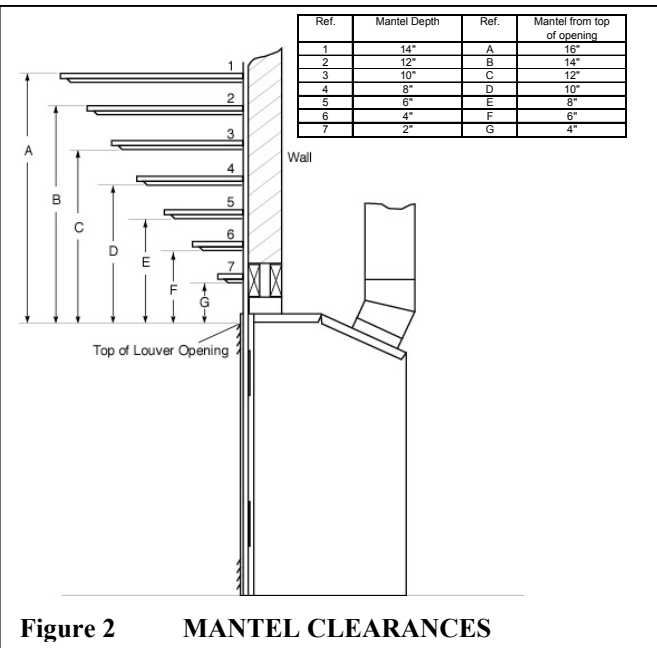


Figure 2 MANTEL CLEARANCES

▲ WARNING: Do not block required air space with insulation or any other material. Do not obstruct effective opening of appliance with any type of facing material.

VENT TERMINATION CLEARANCES

The final position of your fireplace depends on the location of the vent termination in relation to the clearances that must be observed as shown in figures 3 and 4.

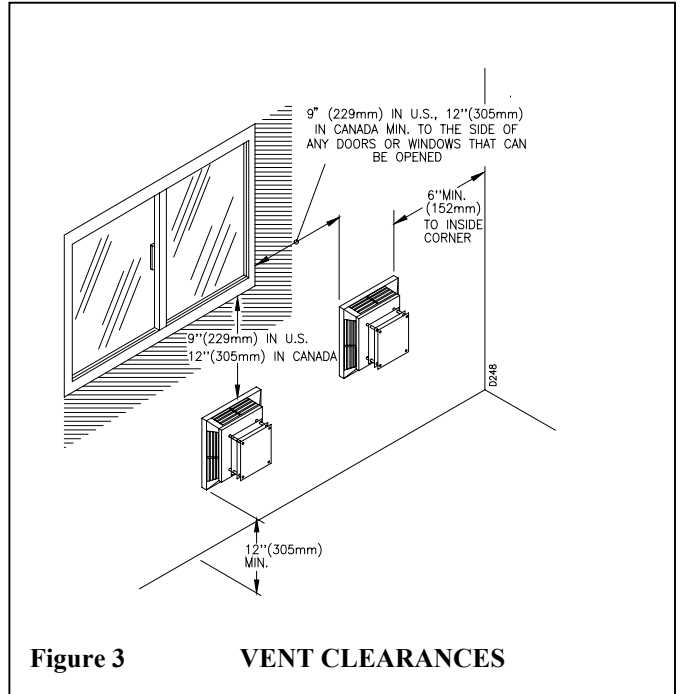


Figure 3 VENT CLEARANCES

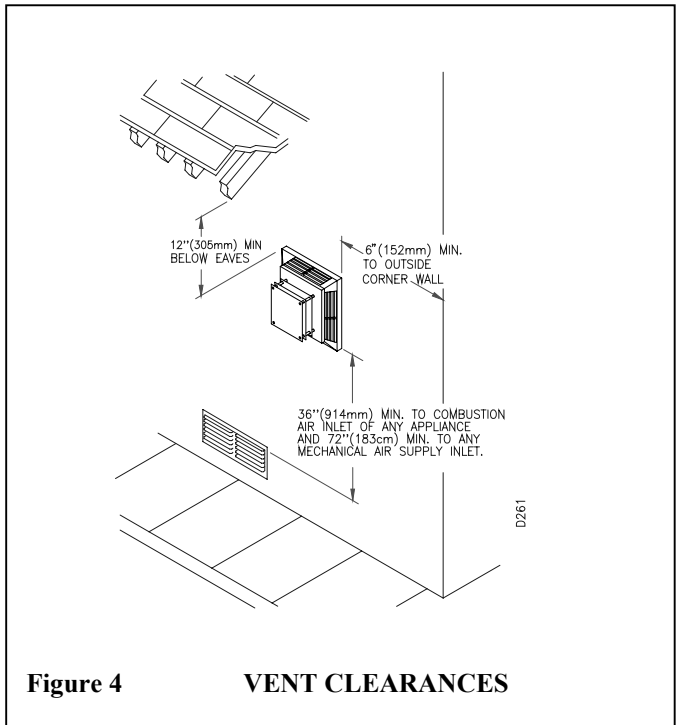
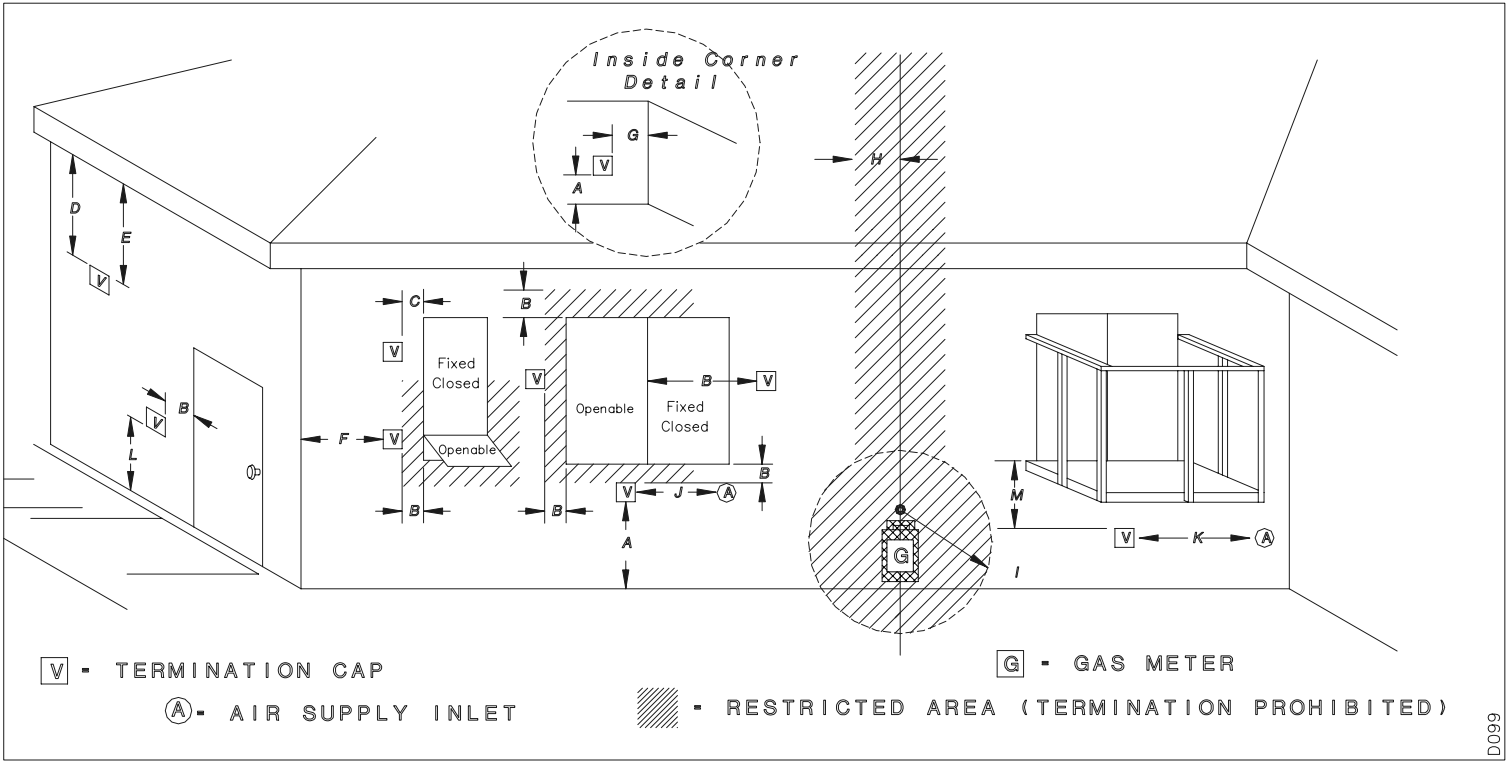


Figure 4 VENT CLEARANCES

VENT PIPE AND TERMINATION CLEARANCES

The final position of your appliance depends on the location of the termination in relation to the clearances that must be observed.



A= 12" (305mm) clearance above grade, veranda, porch, deck or balcony. ***

B= 9" (229mm) clearance in U.S. and 12" (305mm) clearance in Canada to window or door that may be closed.

C= 9" (229mm) clearance in U.S. and 12" (305mm) clearance in Canada to permanently closed window or door that maybe opened.

D= 18" (475mm) vertical clearance to ventilated and 12" (305mm) to unventilated soffit located above the terminal within a horizontal distance of 2 feet (610mm) from the centerline of the terminal.

E= 12" (305mm) clearance below eaves.

F= 9" (229mm) clearance to outside corner.

G= 6" (15mm) clearance to inside corner.

H= not to be installed above a meter/regulator within 3 feet (914mm) horizontally from the centerline of the regulator. ***

I= 36" (914mm) clearance in U.S. and 72" (1829mm) in Canada to service regulator vent outlet. ***

J= 12" (305mm) clearance to non-mechanical air supply inlet to building or the combustion air inlet to any other appliance.***

K= 36" (914mm) clearance to a mechanical air supply inlet.

L= 84" (2134mm) clearance above paved sidewalk or paved driveway located on public property. *

M= 12" (305mm) clearance under veranda, veranda, porch, deck or balcony. **

* vent shall not terminate directly above a sidewalk or paved driveway that is located between two single-family dwellings and serves both dwellings.

** only permitted if veranda, porch, deck or balcony is fully open on a minimum of two sides beneath the floor.

*** as specified in CGA-B149 installation codes (1991) for Canada or for U.S. installation follow the current National Gas Code, ANS Z223.1. Note: Local codes or regulations may require different clearances

VENT INSTALLATION INSTRUCTIONS

1. Install pipe to fireplace collar adapter located on back of unit at a 45 deg. Angle. Connect our starting pipe to a 45 deg. Starting section by sliding it over the collar adapter on the fireplace. Twist-lock for proper installation check to insure proper connection (see figure 5).

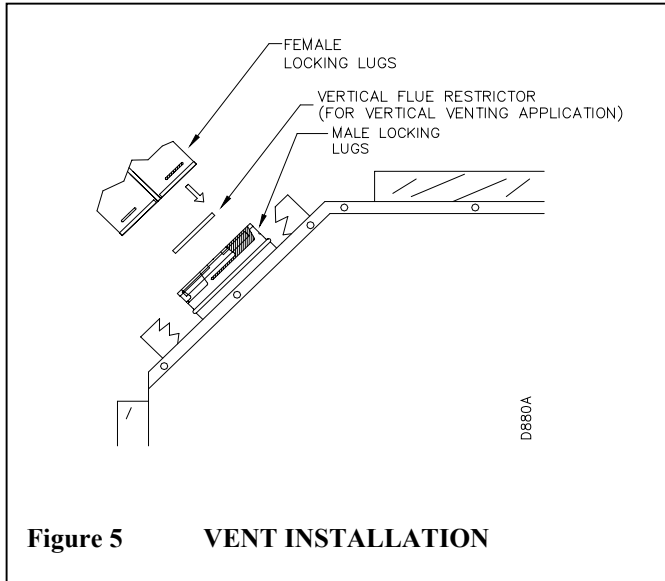


Figure 5 VENT INSTALLATION

2. Once the elbow is properly fastened to the fireplace adapter, continue to install the remainder of the pipe for the desired installation.
3. Install every section of the pipe making sure that all joints are properly twist-locked.
4. After steps 1, 2 and 3 are completed, install the vent termination. Depending on location of termination, you may use a vertical or horizontal termination.
5. Depending on the wall thickness, allow one inch to protrude from internal wall as shown in figure 6.
6. For vertical venting application, install vertical flue restrictor into inner collar of fireplace as shown in figure 5.

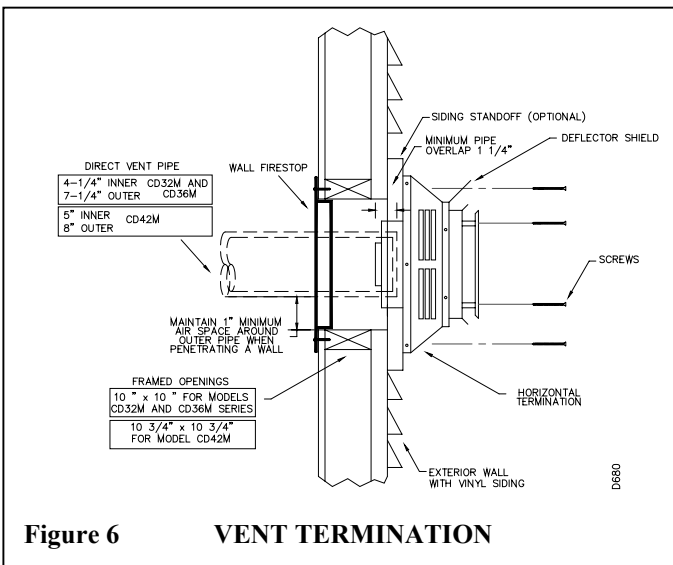


Figure 6 VENT TERMINATION

7. An optional siding standoff may be installed between the vent cap exterior wall. Secure horizontal top to standoff and then secure the complete assembly to wall (see figure 6). The vent termination must be removable for service pipe inspection.

The vent system serves as the “chimney” as well as the combustion air supply (air intake). The horizontal run must have a rise of ¼” (6 mm) for every 1 foot (305 mm) of horizontal run towards the termination. Never allow the vent to run downward. The maximum horizontal run depends on the vertical rise from fireplace adapter collar to the vent termination (see table below).

VERTICAL			HORIZONTAL	
ft	mm		ft	mm
0		to	1'	305
1	305	to	4	1219
2	610	to	8	2438
3	914	to	12	3658
4	1219	to	16	4877
5	1524	to	15	4572
6	1829	to	14	4267
7	2134	to	13	3962
8	2438	to	12	3658

▲ WARNING: Vent pipe air space clearances to combustibles are 1” on all sides except on the horizontal sections, which require 2” clearances from the top of the pipe. Where the termination cap penetrates a combustible wall, 1” air space clearance is required.

When installing length of pipe over 3 ft. (914 mm) horizontally, support the pipe every 3 ft. (914 mm) using metal straps. Vertical to horizontal pipe must be kept at a one foot (305 mm) to 4 ft. (1219 mm) ratio with a maximum run of no more than 20 ft.

If an offset is necessary in the attic to avoid obstruction, it is important to support the vent pipe every 3 ft. (914 mm), to avoid excessive stress on the elbows and possible separation see figure 7).

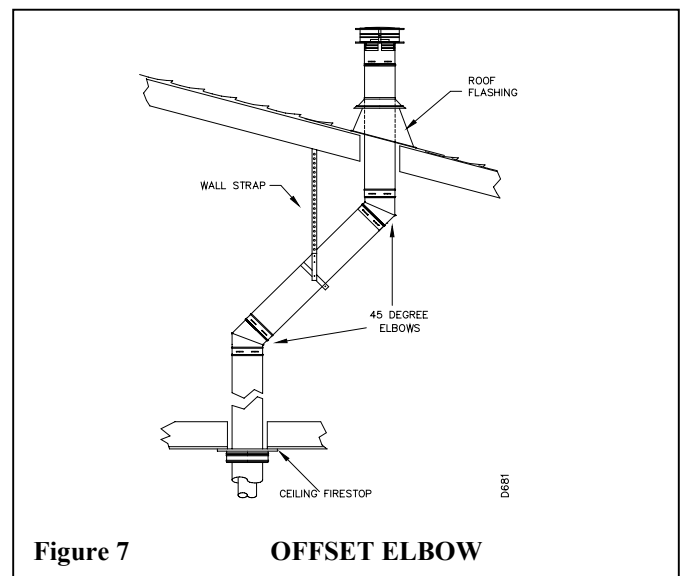


Figure 7 OFFSET ELBOW

Refer to the following table for clearance between roof and termination.

ROOF PITCH	MINIMUM HEIGHT ABOVE ROOF	
	ft	mm
FLAT - 7/12	1	305
7/12 - 8/12	1.5	457
8/12 - 9/12	2	610
9/12 - 10/12	2.5	762
10/12 - 11/12	4	1219
12/12 - 14/12	5	1524
14/12 - 16/12	6	1829
16/12 - 18/12	7	2134
18/12 - 20/12	7.5	2286
20/12 - 21/12	8	2438

FRAMING

Once the final location has been determined (observing clearances for vent termination), you may construct framing using dimensions shown in figures 8 and 9, depending on the particular installation.

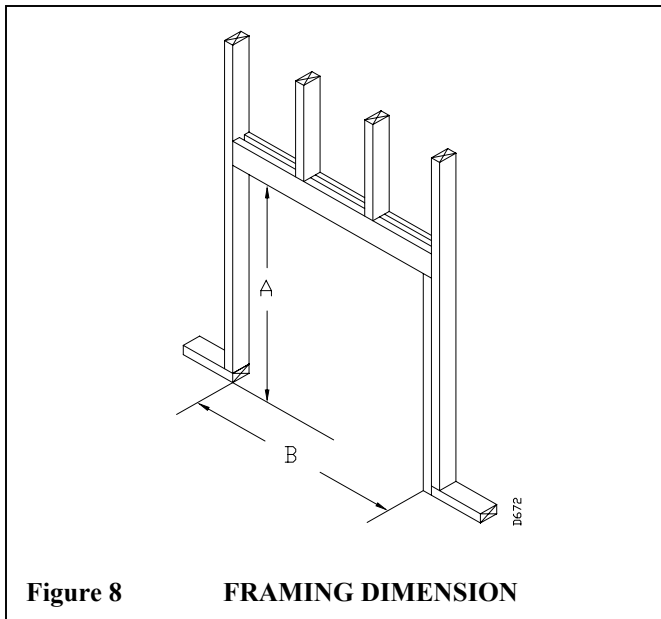


Figure 8 FRAMING DIMENSION

	CD32M	CD36M	CD42M
A	32-3/8"	36-1/8"	40-1/8"
B	34-5/8"	41-1/4"	48-1/4"

If the appliance is to be installed directly on carpeting, tile (other than ceramic), or any combustible material other than wood flooring, the appliance must be installed upon a metal or wood panel extending the full width and depth of the fireplace.

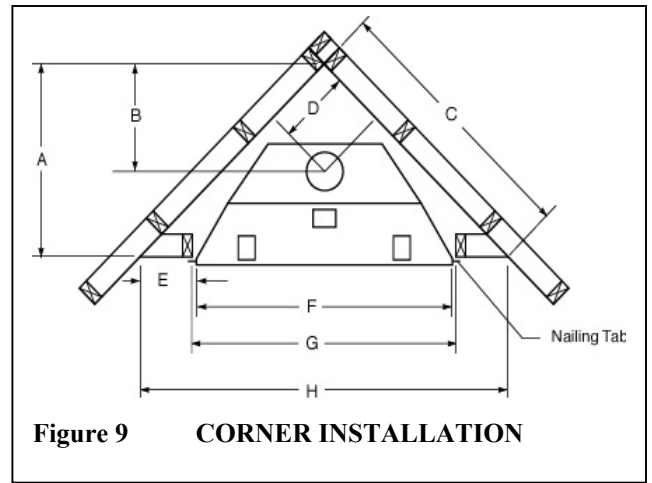


Figure 9 CORNER INSTALLATION

	CD32M	CD36M	CD42M
A	28-1/2"	35-3/4"	41-5/8"
B	13-5/8"	15"	21-5/8"
C	39-3/8"	49-5/8"	58-1/2"
D	9-1/2"	10-3/8"	13-1/2"
E	9-7/8"	13-3/4"	16-3/4"
F	34-1/2"	41-1/8"	48"
G	35-1/2"	42-1/8"	48-1/4"
H	54-3/8"	68-1/4"	81-1/2"

ELECTRICAL HOOK-UP AND REMOTE RECEIVER DIAGRAM

A wire way with two receptacles has been supplied for your convenience and is located on the lower right hand side of the appliance (see figure 10).

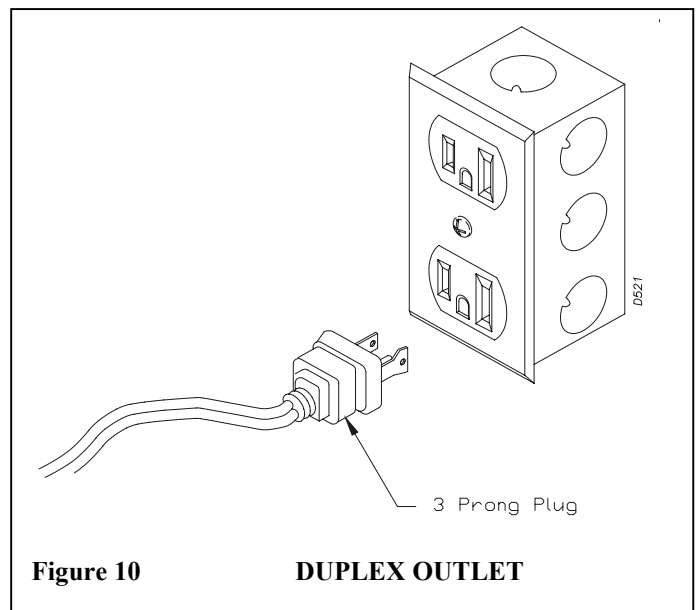


Figure 10 DUPLEX OUTLET

The remote control receiver is factory wired and connected to the convertible gas valve as shown in figure 11.

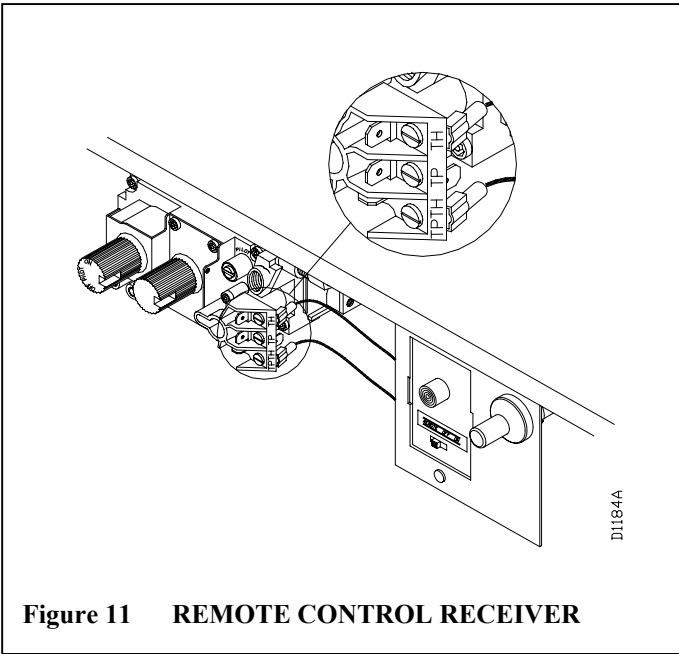


Figure 11 REMOTE CONTROL RECEIVER

GAS SUPPLY TESTING

NOTE: This section is intended as a guide for qualified technicians installing gas to the appliance.

▲ **WARNING:** Do not connect appliance before pressure testing gas piping. Damage to gas valve may result and an unsafe condition may be created.

The appliance and its individual shut-off valve must be disconnected from the gas supply piping system during any pressure testing of that system at test pressures in excess of ½ psig (3.5 kPa).

The appliance must be isolated from the gas supply piping system by closing its individual manual shut-off valve during any pressure testing of the gas supply piping system at test pressures equal to or less than ½ psig (3.5 kPa).

The gas control valve is secured underneath the firebox. Two 1/8 NPT plugged tappings are provided on the gas control valve for pressure test gauge connections (see figure 12).

GAS LINE HOOK-UP

Gas line hook-up should be done by your gas supplier or licensed service technician.

NOTE: Before you proceed, make sure your gas supply is off.

A manual shut-off valve has been included in the fireplace's gas supply system. However, consider installing an extra shut-off valve outside the appliance's enclosure (check with local codes), where it can be accessed more conveniently with a key through a wall as shown in figure 13.

In conformance with local codes, route a ½" NPT gas line towards the appliance coming in from either the left or right side of the fireplace (see figure 14).

CAUTION: Do not kink flexible gas line.

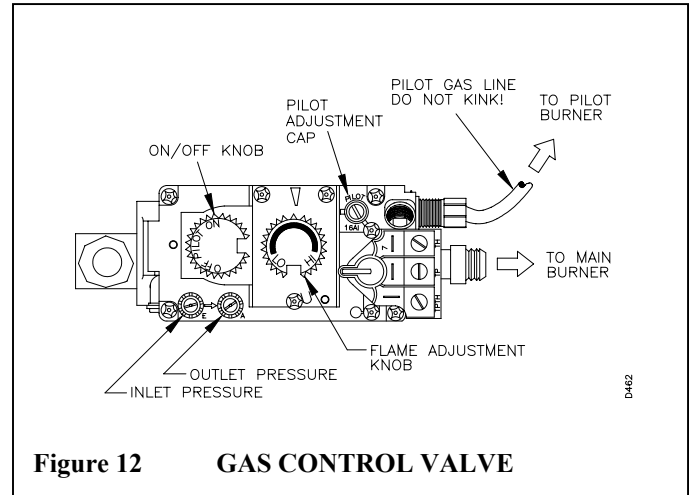


Figure 12 GAS CONTROL VALVE

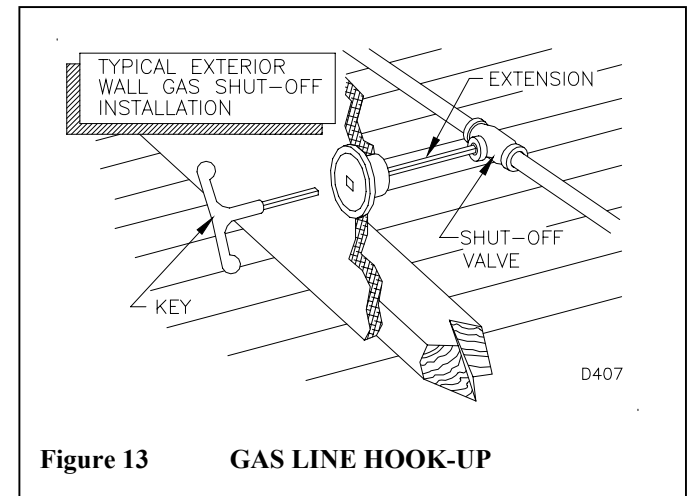


Figure 13 GAS LINE HOOK-UP

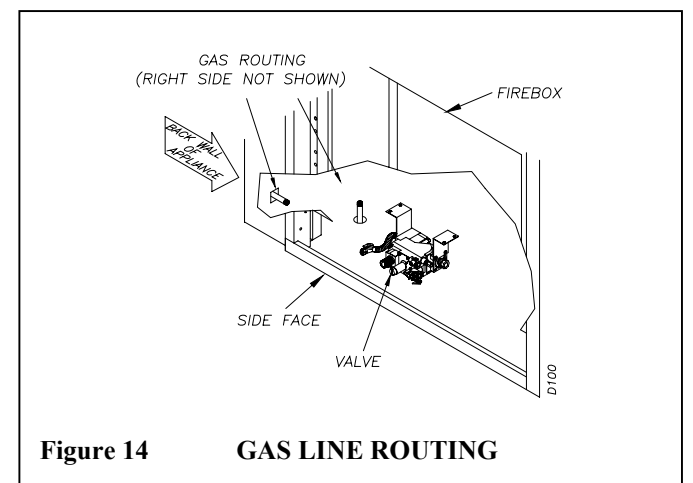
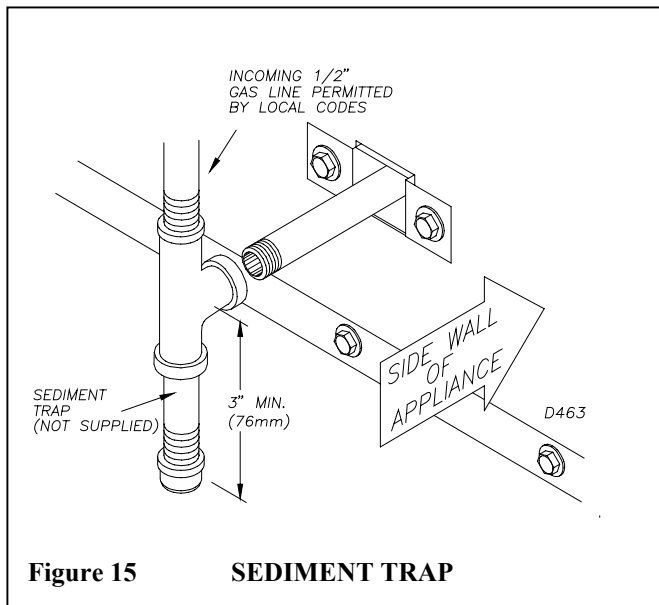


Figure 14 GAS LINE ROUTING

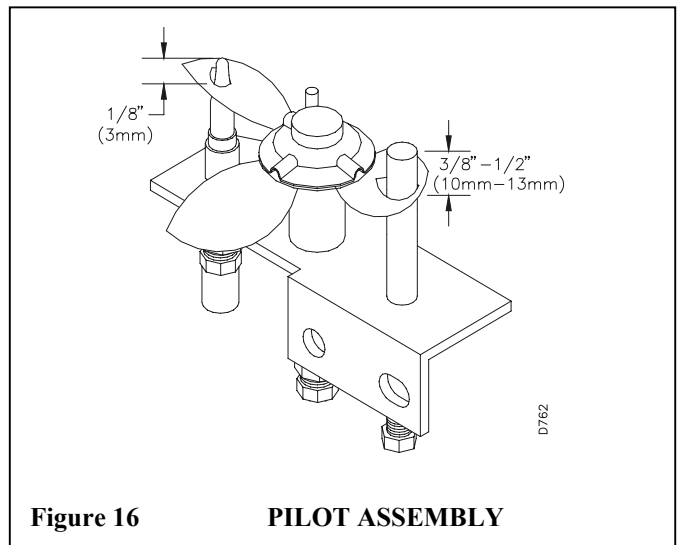
Install a sediment trap between the incoming gas line and the gas control box (see figure 15). The sediment trap should extend down a minimum of 3 inches (76 mm) beyond the center of the pipe.



CAUTION: All gas piping and connections must be tested for leaks after the installation is completed. After ensuring that the gas valve is on, apply a commercial leak detection solution to all connections and joints. Bubbles forming show a leak. Correct all leaks at once. **DO NOT USE AN OPEN FLAME FOR LEAK TESTING AND DO NOT OPERATE ANY APPLIANCE IF A LEAK IS DETECTED. LEAK TESTING SHOULD BE DONE BY A QUALIFIED SERVICE PERSON.**

PILOT ADJUSTMENT

The pilot or electrode assembly is factory preset for the proper flame height. Alterations to these settings may have occurred during shipping and handling. If this is the case, some minor readjustments may be necessary and should be done by a qualified service technician. The proper settings for the thermopile height should be at a distance of 3/8" (10mm) to 1/2" (13mm) from the pilot flame as shown in figure 16.



When routing gas line through conduit sleeve, make sure to repack insulation to fill gaps between gas line and conduit sleeve. Compounds used on threaded joints of gas piping shall be resistant to the action of propane or natural gas. Compounds should be applied lightly to ensure excess sealant does not enter the gas line.

Complete your gas line installation by connecting the incoming gas line to flexible gas line. Secure tightly with a wrench but do not over-tighten.

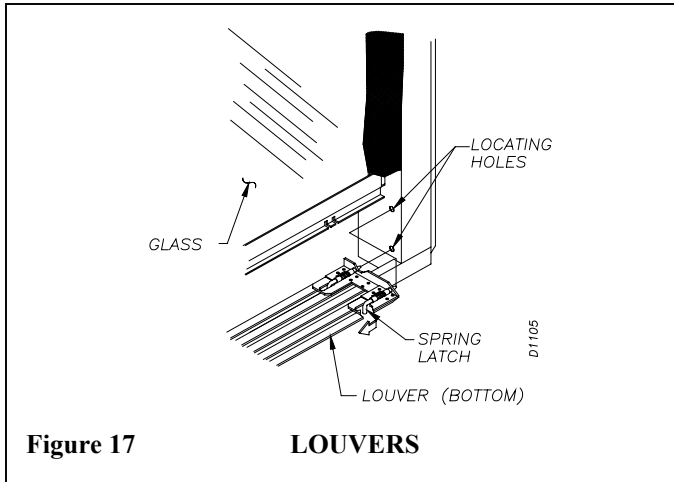
SPECIFICATIONS

	CD32M	CD36M	CD42M
Gas Rate (natural)	16,000/23,000 Btu/hr	18,000/26,000 Btu/hr	25,000/35,000 Btu/hr
Gas Rate (propane)	15,000/21,000 Btu/hr	17,000/24,000 Btu/hr	23,000/33,000 Btu/hr
Ignition	Piezo	Piezo	Piezo
Manifold Pressure	3.5" w.c.	3.5" w.c.	3.5" w.c.
Minimum Inlet Supply Pressure	4.5" w.c.	4.5" w.c.	4.5" w.c.

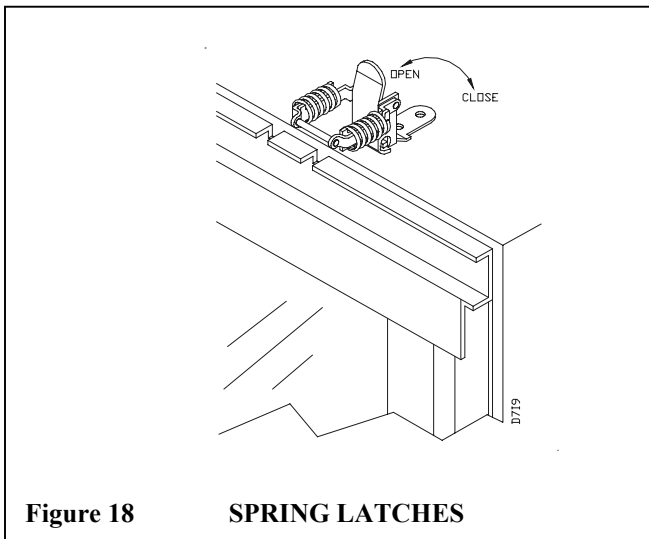
GLASS PANEL REMOVAL

Before proceeding, make sure gas control valve is in the "OFF" position.

1. To remove louvers, pull both spring latches (located in each end of louver) towards center of appliance simultaneously until disengaged from locating holes. Repeat for bottom end spring latches and pull louver outward (see figure 17).



2. Remove screen rod by removing rod loop from glass door center bracket. Then slide the screen rod either to the left or right of the fireplace until one of the rod ends is free to completely remove the screen from the fireplace.
3. To open the glass door, undo the latches located on the top and bottom side of the firebox (see figure 18). Carefully swing the door to the left. The glass is securely mounted to the firebox by means of five screws.

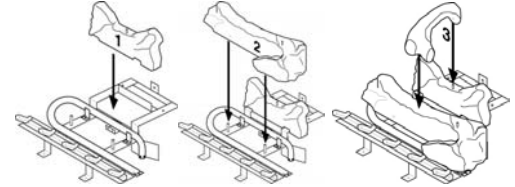


LOG INSTALLATION

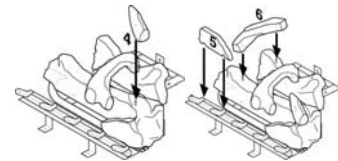
Each log is marked with a number in the following diagrams. These numbers will help in identifying the logs when installed. It is very important to install these logs exactly as instructed. Do not modify logs and only use logs supplied with fireplace.

FOR MODELS CD32M AND CD36M SERIES

- Place log #1 (back log) on top of grate. Make sure the notches in the bottom of the log fit over the grate.
- Rest log #2 (large front log) on the pins on the front part of the grate.
- Place log #3 (C-shaped crossover log) onto the rear and front logs. Make sure it is seated properly on the smooth surface on the front log and on the pin on the back log as shown below.



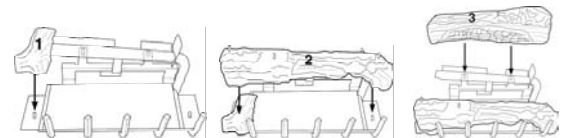
- Place log #4 (small, round log) on the pin on the right side of front log as shown below.
- Place log #5 (small log) onto the front left part of the grate making sure the notches fits over the prongs of the grate.
- Place log #6 onto two pins on the left side of back and front log.



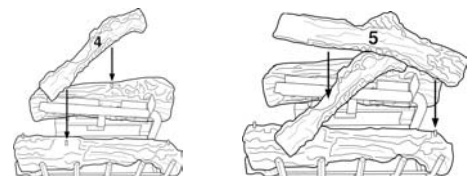
- Place lava rock along sides and front of firebox bottom in areas that are visible. It is not necessary to use all of the lava rock provided.

FOR MODEL CD42M

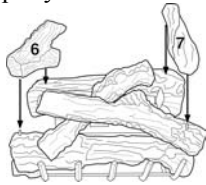
- Place log #1 (base log) onto pin on left side of grate.
- Rest left side of log #2 (front log) onto top of log #1. Place right side of log onto second pin located on the right side of the grate.
- Place log #3 (rear log) onto pins on rear of grate.



- Place log #4 (crossover log) onto pins from both logs #2 and #3.
- Place log #5 (top log) onto right pin of front log (#2) and the smooth surface of rear log (#3). Make sure it is seated properly.



- Place log #6 (left log) onto left pin of front log (#2) and the smooth surface of rear log (#3). Make sure it is seated properly.
- Place log #7 onto right pin of top log (#5). Make sure it is seated properly.



NOTICE: Do not put lava rock on or under the burner. Placing lava rock on burner could cause performance problems.

- Pull ember material apart into pieces no larger than a dime. Place these pieces loosely and directly onto the exposed section of the front burner and along the space between the burner and grate prongs. These will create the glowing ember appearance as the flame touches the ember material. Do not block air slots by using too much ember material in one area. It is not necessary to use all of the ember material provided.
- Close glass door, lock door latches and secure louvers in place.

▲ **WARNING:** The glass door must be securely in place before operating the fireplace. Do not operate the fireplace if glass is missing or broken.

BURNER FLAME ADJUSTMENT

The burner flame adjustment (shutter opening) is factory preset (for natural gas) to the proper air-to-gas ratio. This ratio results in an even and clean burning flame across the burner (see figure 19).

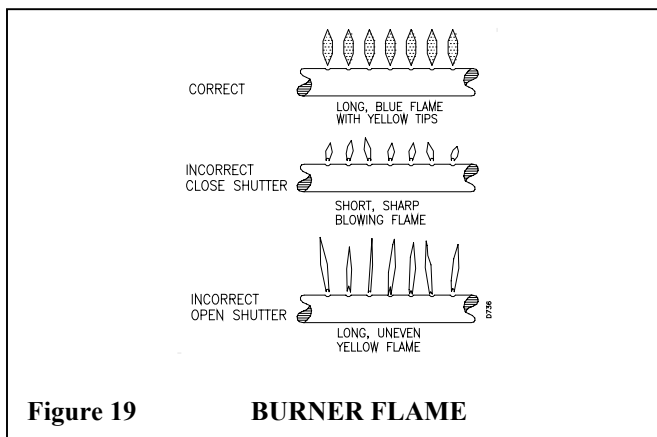


Figure 19 BURNER FLAME

If adjustment is necessary, you can restore the proper flame setting by loosening the air shutter screw and rotating the air shutter until proper setting is achieved (see figure 20). The correct shutter opening is listed below.

AIR SHUTTER OPENINGS				
MODEL	TUBE BURNER		PAN BURNER	
	NATURAL	PROPANE	NATURAL	PROPANE
CD32M	0.188"	MAX	-	-
CD36M	0.188"	MAX	-	-
CD42M	0.188"	0.313"	0.188"	0.500"

▲ **WARNING:** Improper installation, adjustment, alteration, service or maintenance can cause injury or property damage. Refer to this manual for assistance. Consult a qualified installer for additional information.

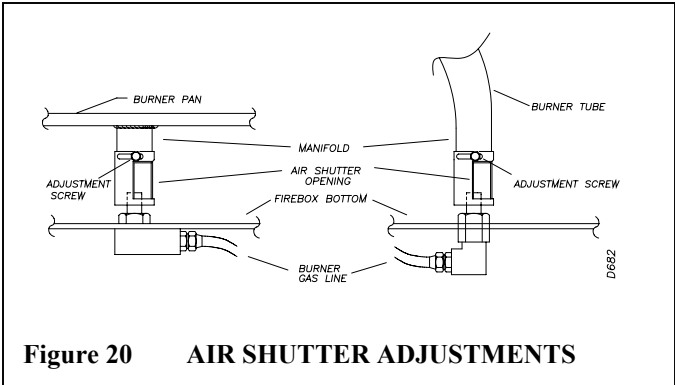


Figure 20 AIR SHUTTER ADJUSTMENTS

DECORATIVE FACING

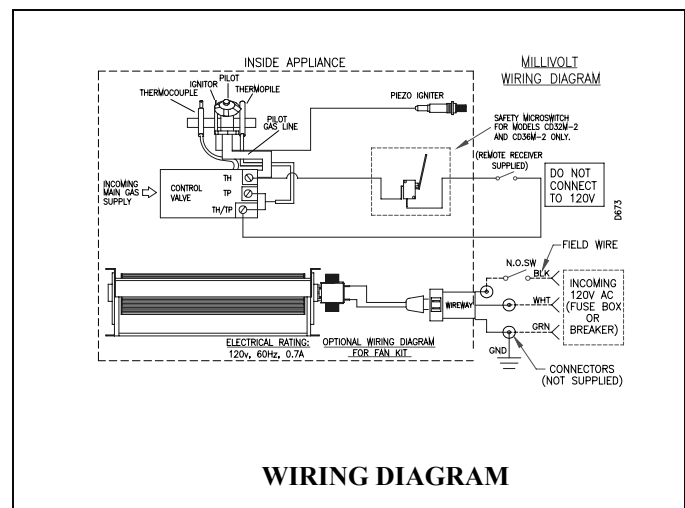
Any non-combustible material may be used as facing (glass, tile, brick etc.) as long as the proper clearances are observed (refer to section on clearances on page 3). Louvered openings must not be obstructed and upper and lower panels must remain accessible for service. Use only heat-resistant, non-combustible mortar or adhesive when securing decorative facing materials.

OPERATING GUIDELINES

When lit for the first time, the fireplace may emit a slight odor for about 16 to 24 hours. This is normal and is due to the “curing” of the logs and the “burn-in” of internal paint and lubricant used in the manufacturing process.

Keep compartments, logs, burners and area surrounding the logs clean by vacuuming and brushing at least twice a year or as necessary.

Turn off gas and remote wall switch before servicing appliance. Any safety screen or guard removed for servicing the fireplace must be replaced prior to operation. Have a qualified agency periodically inspect the vent system at the start of each heating season for any obstruction, which hinder its normal operation. Never obstruct the flow of combustion and ventilation air. Keep the front of the fireplace clear of all obstacles and materials.



WIRING DIAGRAM

FOR YOUR SAFETY READ BEFORE LIGHTING

WARNING: IF YOU DO NOT FOLLOW THESE INSTRUCTIONS EXACTLY, A FIRE OR EXPLOSION MAY RESULT CAUSING PROPERTY DAMAGE, PERSONAL INJURY OR LOSS OF LIFE.

- A. When lighting the pilot, follow these instructions exactly.
- B. BEFORE turning "ON", smell around the appliance for gas. Be sure to smell next to the floor, for some gas is heavier than air and will settle on the floor.

WHAT TO DO IF YOU SMELL GAS

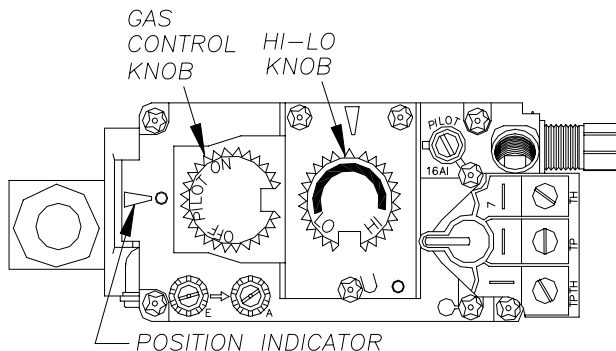
- * Do not try to light any appliance.
- * Do not touch any electrical switch; do not use any phone in the building.
- * Immediately call your gas supplier from a neighbor's phone. follow the supplier's instructions.

- * If you cannot reach your supplier, call the fire department.
- C. Use only your hands to push in control knob. never use tools. If the knob will not push in or slide by hand, don't try to repair it. Call a qualified service technician. Forced or attempted repair may result in a fire or explosion.

- D. Do not use this appliance if any part has been under water. Immediately call a qualified service technician to inspect the appliance and to replace any gas control which has been submersed.

LIGHTING INSTRUCTIONS

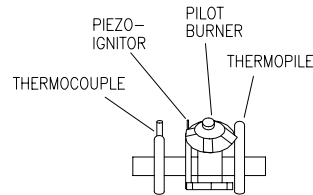
1. STOP! Read the safety information above on this label before proceeding.
2. Set the "HI-LO" knob to the lowest setting.
3. Turn off all electrical power to the appliance.
4. Open control access panel.
5. Push in gas control knob slightly and turn clockwise to "OFF".



NOTE: It is recommended that you maintain the gas control knob in the full "OFF" position during lengthy periods of seasonal non-usage.

6. Wait five (5) minutes to clear out any gas. Then smell for gas, including near the floor. If you smell gas, STOP! Follow "B" in the safety information above on this label. If you don't smell gas, go to the next step.

7. The pilot is located by the main burner..



8. Turn knob on gas control counterclockwise to "PILOT"
9. Push in the control knob all the way and hold in. Immediately light the pilot by pressing the red ignitor button until a flame appears. Continue to hold the control knob in for about (1) minute after the pilot is lit. Release knob and it will pop back up. Pilot should remain lit. If it goes out, repeat steps 5 through 9.
- If knob does not pop up when released, stop and immediately call your service technician or gas supplier.
- If the pilot will not stay lit after several tries, turn the gas control knob to "OFF" and call your service technician or gas supplier.
10. Turn gas control knob counterclockwise to "ON". Knob can be turned to "ON" only if the control knob is popped out.
11. Set "HI-LO" knob to desired setting.
12. Turn on all electric power to the appliance.

TO TURN OFF GAS TO APPLIANCE

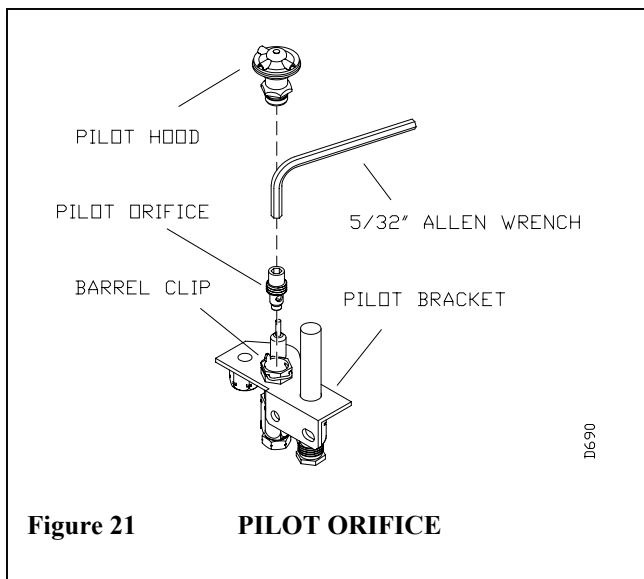
1. Turn off the wall switch.
2. Turn off all electric power to the appliance if service is to be performed.
3. Remove control access panel.
4. Push in gas control knob slightly and turn clockwise to "OFF". Do not force.
5. Replace control access panel.

D761

CONVERSION KIT

This conversion kit is packaged with the unit. Please check the contents before beginning this conversion.

- Before proceeding, make sure the gas control valve is in the “OFF” position and all electrical power to the appliance is turned off.
- Wait five minutes to clear out any gas. Smell for any gas odor especially near the floor. If any gas odor is present, STOP! Refer to the lighting instructions included in this manual.
- Locate the latch on the louver assembly. Remove the top and bottom louver by pulling the spring latches toward the center of the fireplace simultaneously until they are disengaged from the locating holes.
- Undo the latches located on the top and bottom side of the firebox and swing the door to the fully open position.
- Carefully remove the log set and the ceramic fiber embers from the burner and place them outside the combustion chamber.
- Replace the main burner orifice with the burner orifice included in the conversion kit (Model CD42M contains two burner orifices).
- Remove the pilot hood by pulling up until it disengages from the barrel. Do not remove the retainer clip (see figure 21).
- Remove the pilot orifice from inside the barrel using a 5/32” allen wrench to unscrew the orifice.

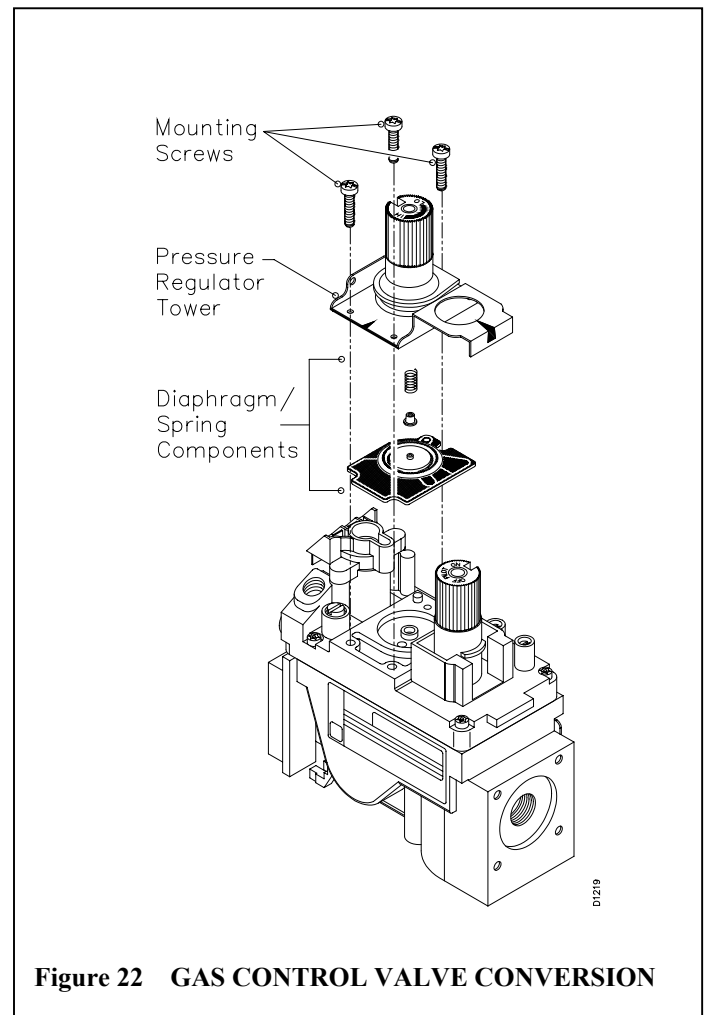


- Replace pilot orifice with LP orifice supplied with this kit. The number 30 is stamped on the sleeve for identification. Insert the small end of the new pilot orifice into the barrel and thread until tight with the allen wrench.
- Line up the notch on pilot hood to the positioning tab on the barrel receiver and snap back into position.

IMPORTANT: Be careful not to bend or kink the aluminum tubing during conversion. Make sure the pilot hood and orifice are properly mated and aligned after finishing this conversion.

Convert the gas control valve by swapping out the valve regulator portion of the gas valve.

- Using a TORX T20 or a slotted screwdriver, remove and discard the three mounting screws, pressure regulator tower, and diaphragm/spring components (see figure 22).
- Insure that the rubber gasket is properly positioned on the new pressure regulator assembly. Install the new pressure regulator assembly to the valve using the new mounting screws supplied with the kit. Tighten the screws securely (approximately 25in-lbs.) (see figure 23).



- Install the identification label enclosed with the gas valve regulator to the valve body where it can easily be seen (see figure 23).

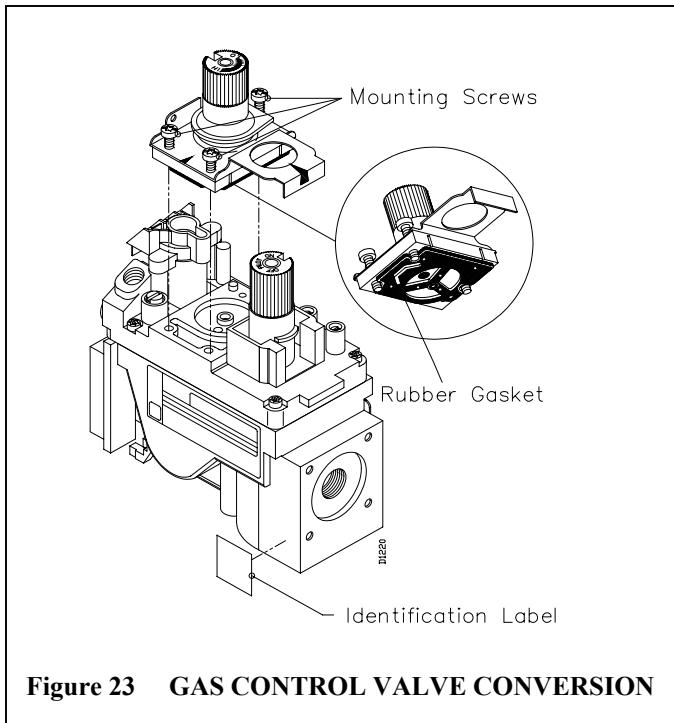


Figure 23 GAS CONTROL VALVE CONVERSION

▲ **WARNING:** The conversion kit must be installed by a qualified service technician in accordance with the manufacturers instructions and all applicable codes and requirements of the authority having jurisdiction. If any information in these instructions is not followed correctly, a fire, explosion or production of carbon monoxide may result causing property damage, personal injury or loss of life. The qualified service technician is responsible for the proper installation of this conversion kit.

▲ **WARNING:** Never use an open flame to check for a leak. Apply commercial leak test solution to all gas joints. Bubbles forming show a leak. Correct all leaks at once.

▲ **WARNING:** Test all gas piping and connections for leaks after installing or servicing. Correct leaks at once.

FACE EXTENSION (FOR MODEL CD32M ONLY)

Model CD32M comes equipped with a front face extension. The front face extension would add 3- 1/2" to the width and 3/4" to the height of the fireplace face.

To install the face extension:

- Remove the existing screws from front face assembly as shown in figure 24.
- Align holes on top face extension (figure A) with holes on the top side of the front face assembly and secure with screws previously removed (follow this step to install left and right face extension).
- Secure top face extension with left and right face extensions with two sheet metal screws (figure B).

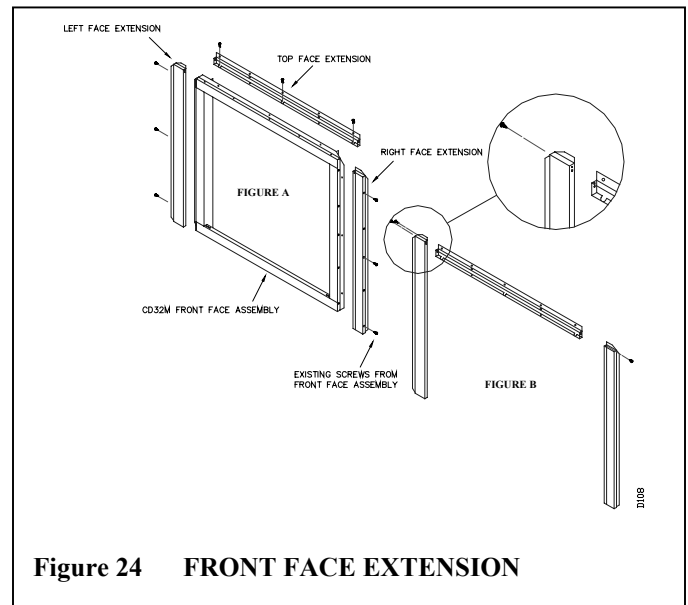
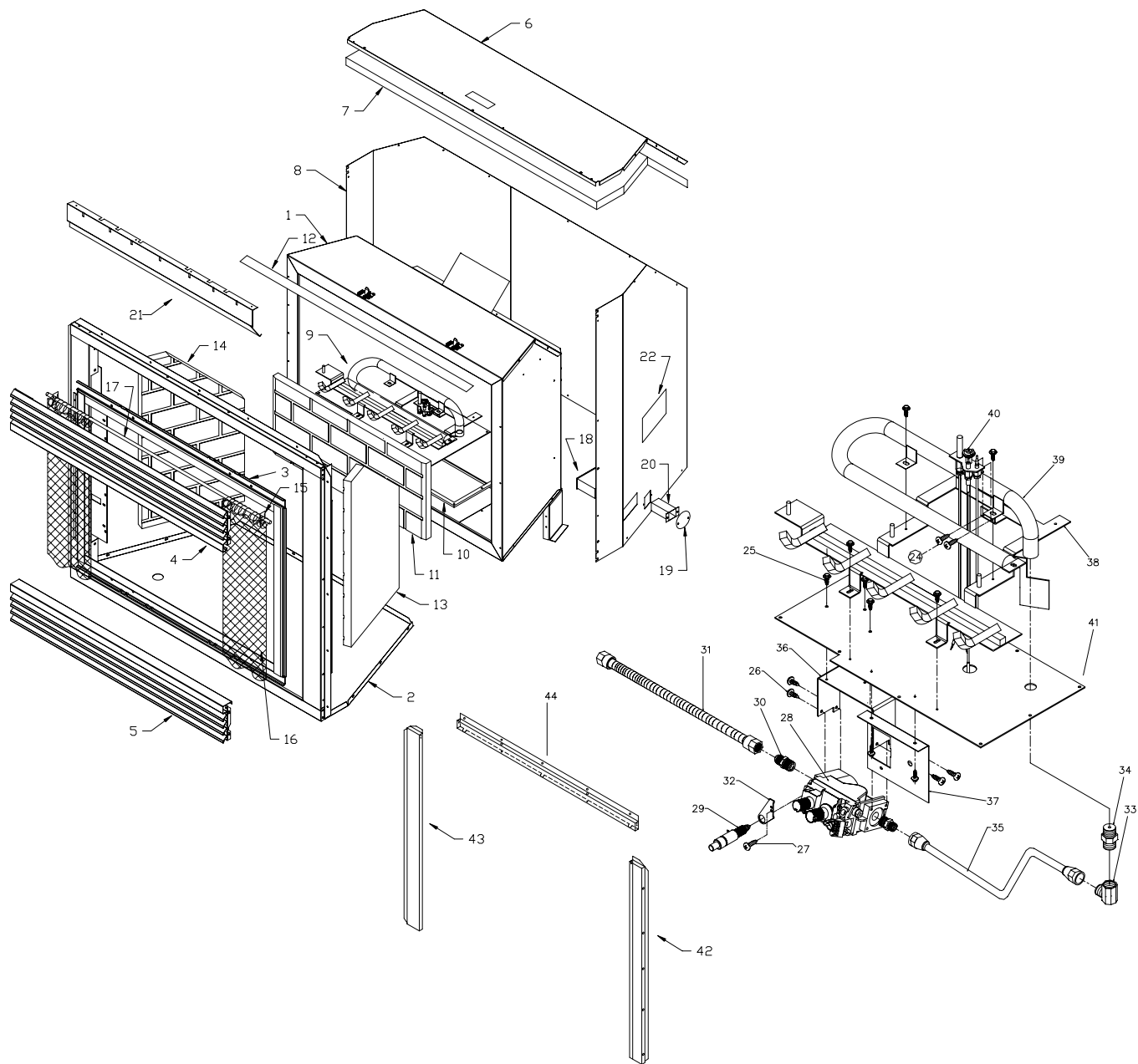


Figure 24 FRONT FACE EXTENSION

OBSERVED PROBLEM	POSSIBLE CAUSE	REMEDY
<ul style="list-style-type: none"> Pilot will not stay lit after carefully following lighting instructions. 	<ul style="list-style-type: none"> Defective pilot generator (thermocouple). 	<ul style="list-style-type: none"> Check pilot flame. It must impinge on thermocouple. Clean or adjust pilot for maximum flame impingement on thermocouple. Ensure that the connection between the valve and thermocouple are tight and secured.
<ul style="list-style-type: none"> Pilot lit but no flame on the burner. 	<ul style="list-style-type: none"> Remote or wires defective. 	<ul style="list-style-type: none"> Check remote wires for proper connections. Jumper wire across terminals at remote control, if burner comes on, replace defective remote. If okay, jumper wire across remote control at valve, if burner comes on, wires are faulty or connections are bad.
	<ul style="list-style-type: none"> Thermopile/Thermocouple not generating sufficient millivoltage. 	<ul style="list-style-type: none"> Check thermopile with millivolt meter. Take reading at thermopile terminals of gas valve. Should read 325 millivolts minimum with remote control off. Replace thermopile if reading is below specified minimum.
	<ul style="list-style-type: none"> Plugged burner orifice. 	<ul style="list-style-type: none"> Check burner orifice for stoppage and remove.
	<ul style="list-style-type: none"> Thermocouple not generating sufficient millivoltage. 	<ul style="list-style-type: none"> Check thermocouple with millivolt meter. Take reading at thermocouple terminals of gas valve. Should read 18 millivolts minimum with remote control off. Replace faulty thermocouple if reading is below specified minimum.
<ul style="list-style-type: none"> Frequent pilot outage problem. 	<ul style="list-style-type: none"> Pilot flame maybe too low or blowing (high) causing the valve safety to drop out. 	<ul style="list-style-type: none"> Clean and/or adjust pilot flame for maximum flame impingement on thermocouple.

ILLUSTRATED PARTS BREAKDOWN

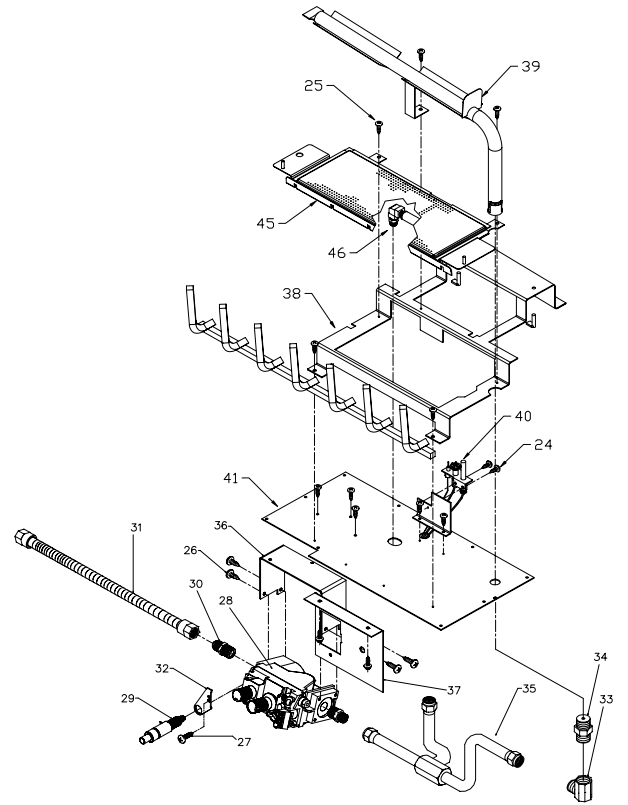
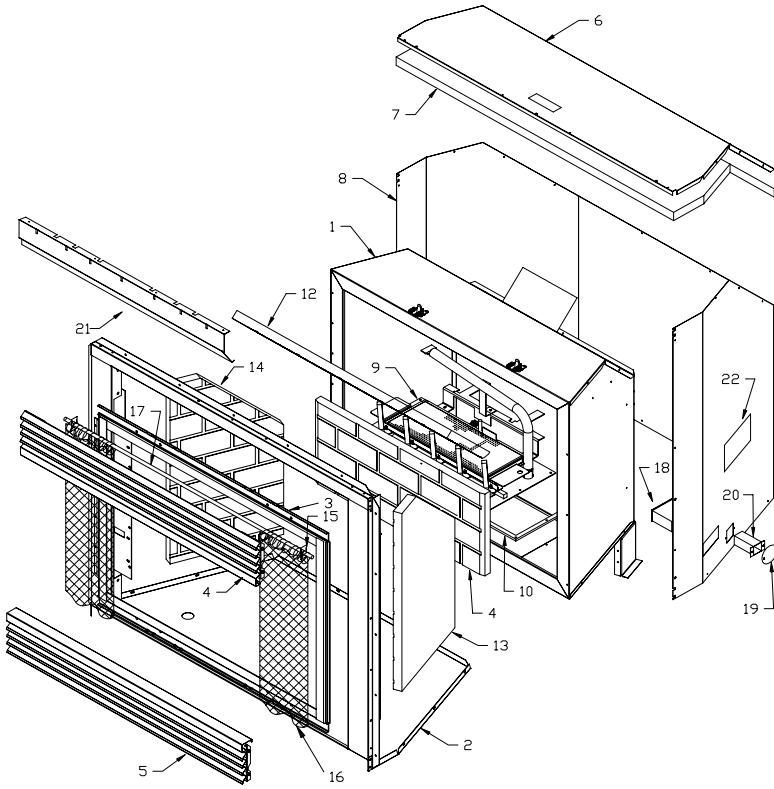
MODELS CD32M AND CD36M SERIES



D103

ILLUSTRATED PARTS BREAKDOWN

MODEL CD42M

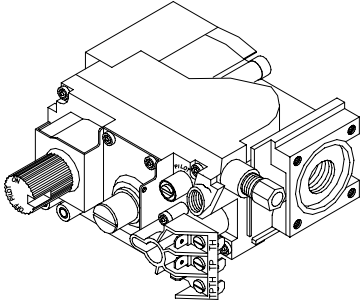
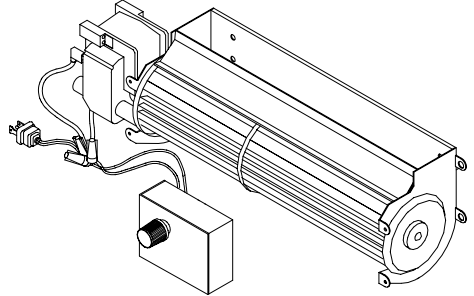
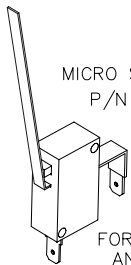
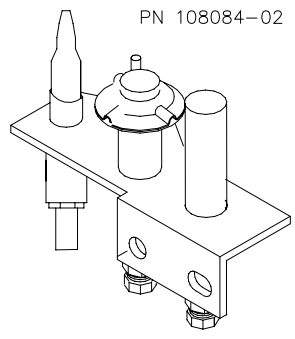
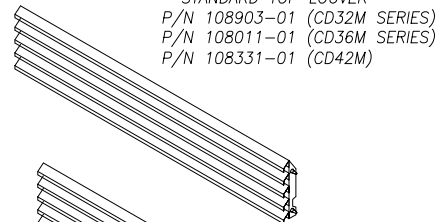
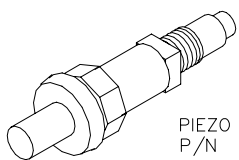
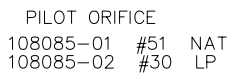
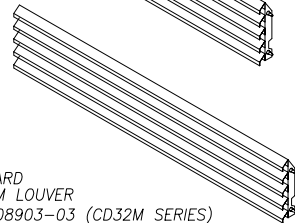
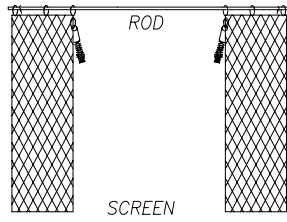
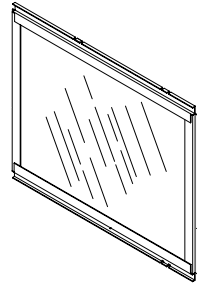
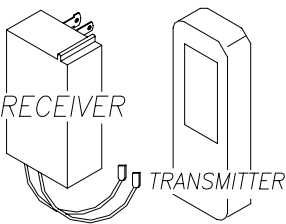
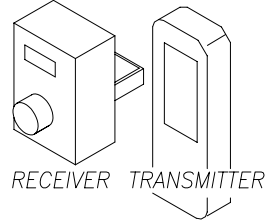
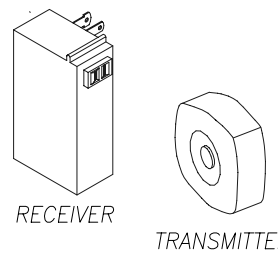


D683

ILLUSTRATED PARTS LIST

ITEM	PART #			DESCRIPTION	QTY.
	CD32M	CD36M	CD42M		
1	108878-01	108008-01	108326-01	FIREBOX ASSEMBLY	1
2	108874-01	108009-01	108327-01	FACE WELDMENT	1
3	108892-01	108010-01	108328-01	DOOR ASSEMBLY	1
4	108903-01	108011-01	108331-01	PANEL ASSEMBLY LOUVER, FACE TOP	1
5	108903-02	108011-02	108331-03	PANEL ASSEMBLY LOUVER, FACE BOTTOM	1
6	108895-01	108015-01	108333-01	TOP, FIREPLACE	1
7	109096-01	108016-01	108336-01	INSULATION, FIREPLACE TOP	1
8	108896-01	108017-01	108334-01	SURROUND, FIREPLACE	1
9	108885-01	108074-01	108329-05	BURNER ASSEMBLY	1
10	108890-01	108076-01	108374-01	GASKET, BURNER BASE	1
**11	108897-01	108080-01	108351-01	REFRACTORY, REAR	1
**12	-	108081-01	108352-01	REFRACTORY, TOP	1
**13	108901-01	108082-01	108353-01	REFRACTORY, RIGHT	1
**14	108901-02	108083-01	108354-01	REFRACTORY, LEFT	1
15	11418	11418	11418	NUT, PUSH-ON	2
16	108440-01	12105	107840-01	SCREEN	2
17	108455-02	13113	108455-01	ROD, SCREEN	1
18	110037-01	110037-01	110037-01	ELECTRICAL DUCT ASSEMBLY	1
19	21171	21171	21171	COVER, GAS KNOCK-OUT	2
20	24460	24460	24460	CONDUIT ASSEMBLY, GAS	1
21	109082-03	109082-01	109082-02	HEAT SHIELD	1
22	27253	27253	27253	LABEL, NOTICE	1
*23	109222-01	109006-01	108778-01	LOG SET	1
24	11102	11102	11102	SCREW #8-32 x 3/8 PPH ZINC	2
25	11105	11105	11105	SCREW #10 x 1/2 ZINC	9
26	11179	11179	11179	SCREW #10-24 x 1/4 ZINC	4
27	11237	11237	11237	SCREW, TRILAB M4 x 8MM	1
28	14389	14389	14389	VALVE HI-LO SIT (NAT)	1
29	14492	14492	14492	IGNITOR, PIEZO	1
30	14500	14500	14500	FITTING, BRASS	2
31	14253	14253	14253	CONNECTOR, FLEXIBLE	1
32	14511	14511	14511	BRACKET, IGNITOR (SIT)	1
33	14528	14528	14528	FITTING, BRASS ELBOW	1
34	104506-25	104506-23	104506-25	ORIFICE	1
35	104509-02	14576	14544	TUBING ASSEMBLY, ALUMINUM	1
36	26808	26808	26808	BRACKET, VALVE	1
37	26827	26827	26827	BRACKET, SWITCH	1
38	108886-01	108077-01	108346-01	BASE, GRATE	1
39	108891-01	104504-03	108376-01	BURNER	1
40	108084-02	108084-02	108084-02	PILOT ASSEMBLY (NG)	1
41	108889-01	108075-01	108373-01	BURNER BASE ASSEMBLY	1
42	109699-01	-	-	FACE EXTENSION, RIGHT	1
43	109699-02	-	-	FACE EXTENSION, LEFT	1
44	109700-01	-	-	FACE EXTENSION, TOP	1
45	-	-	108330-01	BURNER PAN ASSEMBLY	1
46	-	-	104506-24	ORIFICE	1
*47	25487	25487	25487	LAVA ROCK/BAG ASSEMBLY	1
***48	110251-01	110251-01	110251-01	MICRO SWITCH ASSEMBLY	1
<i>* ITEMS NOT SHOWN **OPTIONAL ITEMS *** FOR MODELS CD32M-2 & CD36M-2 ONLY</i>					

ACCESSORY AND REPLACEMENT PARTS

 <p>MILLIVOLT</p> <p>HI-LO VALVE P/N #14389</p>	 <p>REGULAR BLOWER KIT BK FOR MODELS CD32M, CD32M-2 CD36M, CD36M-2 AND CD42M</p>					
 <p>MICRO SWITCH ASSEMBLY P/N 110251-01</p> <p>FOR MODELS CD32M-2 AND CD36M-2 ONLY</p>	 <p>PILOT ASSY. PN 108084-02</p>	 <p>STANDARD TOP LOUVER P/N 108903-01 (CD32M SERIES) P/N 108011-01 (CD36M SERIES) P/N 108331-01 (CD42M)</p>				
 <p>PIEZO IGNITOR P/N 14492</p>	 <p>PILOT ORIFICE 108085-01 #51 NAT 108085-02 #30 LP</p>	 <p>STANDARD BOTTOM LOUVER P/N 108903-03 (CD32M SERIES) P/N 108011-03 (CD36M SERIES) P/N 108331-03 (CD42M)</p>				
 <p>109479-01 (CD32M SERIES) 108719-01 (CD36M SERIES) 108455-01 (CD42M)</p> <p>ROD</p> <p>SCREEN</p> <p>108440-01 (CD32M SERIES) 12105 (CD36M SERIES) 107840-01 (CD42M)</p>	 <p>GLASS DOOR ASSEMBLY P/N 108892-01 (CD32M SERIES) P/N 108010-01 (CD36M SERIES) P/N 108328-01 (CD42M)</p>	<table border="0"> <tr> <td> <p>CD32M SERIES</p> <p>ORIFICE #47(NAT) P/N 104506-25</p> <p>ORIFICE #55 (LP) P/N 14514</p> </td> <td> <p>CD36M SERIES</p> <p>ORIFICE #40 (NAT) P/N 104506-23</p> <p>ORIFICE #53 (LP) P/N 14596</p> </td> </tr> <tr> <td colspan="2"> <p>CD42M</p> <p>TUBE BURNER PAN BURNER</p> <p>ORIFICE #47(NAT) ORIFICE #46(NAT) P/N 104506-25 P/N 104506-24</p> <p>ORIFICE #56 (LP) ORIFICE #56 (LP) P/N 104506-20 P/N 104506-20</p> </td> </tr> </table>	<p>CD32M SERIES</p> <p>ORIFICE #47(NAT) P/N 104506-25</p> <p>ORIFICE #55 (LP) P/N 14514</p>	<p>CD36M SERIES</p> <p>ORIFICE #40 (NAT) P/N 104506-23</p> <p>ORIFICE #53 (LP) P/N 14596</p>	<p>CD42M</p> <p>TUBE BURNER PAN BURNER</p> <p>ORIFICE #47(NAT) ORIFICE #46(NAT) P/N 104506-25 P/N 104506-24</p> <p>ORIFICE #56 (LP) ORIFICE #56 (LP) P/N 104506-20 P/N 104506-20</p>	
<p>CD32M SERIES</p> <p>ORIFICE #47(NAT) P/N 104506-25</p> <p>ORIFICE #55 (LP) P/N 14514</p>	<p>CD36M SERIES</p> <p>ORIFICE #40 (NAT) P/N 104506-23</p> <p>ORIFICE #53 (LP) P/N 14596</p>					
<p>CD42M</p> <p>TUBE BURNER PAN BURNER</p> <p>ORIFICE #47(NAT) ORIFICE #46(NAT) P/N 104506-25 P/N 104506-24</p> <p>ORIFICE #56 (LP) ORIFICE #56 (LP) P/N 104506-20 P/N 104506-20</p>						
<p>OPTIONAL REMOTE CONTROL KIT P/N 00825 (MILLIVOLT ONLY) (BATTERY REQUIRED FOR TRANSMITTER)</p>  <p>RECEIVER TRANSMITTER</p>	<p>STANDARD REMOTE CONTROL KIT P/N 01026 (MILLIVOLT ONLY) (BATTERIES REQUIRED FOR RECEIVER AND TRANSMITTER)</p>  <p>RECEIVER TRANSMITTER</p>	<p>REMOTE CONTROL KIT P/N 00710 (OPTIONAL) USED ON BLOWER ONLY</p>  <p>RECEIVER TRANSMITTER</p>				

D102