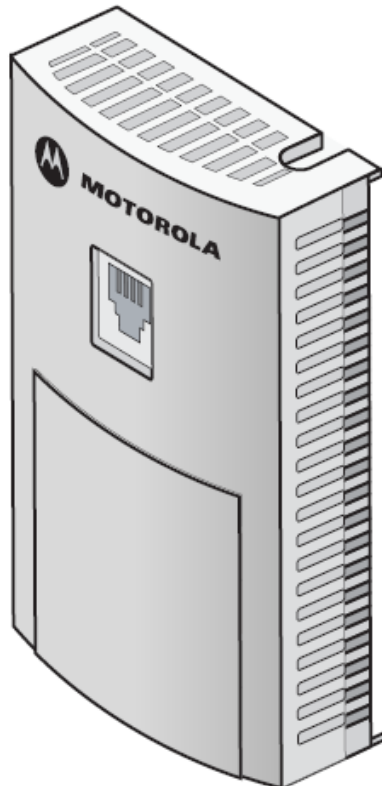


AP-6511E Access Point INSTALLATION GUIDE



MOTOROLA SOLUTIONS and the Stylized M Logo are registered in the US Patent & Trademark Office. © Motorola Solutions, Inc. 2014. All rights reserved.

1.0 Introduction	5
1.1 Document Conventions	5
1.2 Warnings	6
1.3 Site Preparation	6
1.4 AP-6511E Package Contents	6
1.5 Features	6
2.0 Hardware Installation	7
2.1 Installation Instructions	8
2.2 Precautions	9
2.3 Access Point Placement	9
2.4 Power Injector System	9
2.5 Wall Mount Installation	10
2.6 Telco Box Installation	13
2.7 AP-6511E Antennas	17
2.8 LED Indicators	17
3.0 Basic WiNG Express Access Point Configuration	18
4.0 Specifications	28
4.1 Electrical Characteristics	28
4.2 Physical Characteristics	28
4.3 Radio Characteristics	29
5.0 Regulatory Information	30
5.1 Regulatory Overview	30
5.2 Wireless Device Country Approvals	30
5.2.1 Country Selection - Note for AP & Wireless Controller	30
5.2.2 Frequency of Operation - FCC and IC	31
5.3 Health and Safety Recommendations	31
5.3.1 Warnings for the use of Wireless Devices	31
5.3.2 Potentially Hazardous Atmospheres - Fixed Installation	31
5.3.3 Safety in Hospitals	31

5.4 RF Exposure Guidelines	33
5.4.1 Safety Information	32
5.5 International	32
5.6 EU	32
5.7 US and Canada	32
5.8 Power Supply	33
5.9 Radio Frequency Interference Requirements - FCC	33
5.10 Radio Frequency Requirements - Canada	33
5.10.1 Radio Transmitters	33
5.11 CE Marking and European Economic Area (EEA)	34
5.12 Mexico	34
5.13 Statement of Compliance	34
5.14 Waste Electrical and Electronic Equipment (WEEE)	35
5.15 Turkish WEEE Statement of Compliance	36
5.16 Japan (VCCI) - Voluntary Control Council for Interference Class B ITE	37
5.17 Korea Warning Statement for Class B ITE	37
5.17 Other Countries	37
6.0 Motorola Solutions Support Center	40

1 Introduction

The AP-6511E is an enterprise class 802.11n Access Point, installed in minutes anywhere a CAT-5 (or better) cable is located. The AP-6511E's mechanical design is optimized for installation over a standard CAT-5 (or better) wall jack. The AP does not protrude into the wall cavity, allowing for an efficient heat transfer and a universal installation over a standard Telco wiring plate. The AP-6511E's modular design allows the end-user to add switched Ethernet ports as-needed, and attach a standard keystone or Leviton QuickPort® modular connector to the wall plate.

The AP-6511E Access Point ships with a single dual-band radio supporting the 802.11a/b/g/n radio bands.

The AP-6511E receives all power and transfers data through the same CAT-5 or better Ethernet cable. There is no additional power supply required. An 802.3af PoE Ethernet switch or mid span power injector is required.

The AP-6511E can be ordered for US deployment (AP-6511E-60010-US), deployment in Europe (AP-6511E-60010-EU) or deployment outside of the US or Europe (AP-6511E-60010-WR).

1.1 Document Conventions

The following graphical alerts are used in this document to indicate notable situations:



NOTE Tips, hints, or special requirements that you should take note of.



CAUTION Care is required. Disregarding a caution can result in data loss or equipment malfunction.



WARNING! Indicates a condition or procedure that could result in personal injury or equipment damage.

1.2 Warnings

- Read all installation instructions and site survey reports, and verify correct equipment installation before connecting the Access Point.
- Remove jewelry and watches before installing this equipment.
- Verify the unit is grounded before connecting it to the power source.
- Verify any device connected to this unit is properly wired and grounded.
- Verify there is adequate ventilation around the device, and that ambient temperatures meet equipment operation specifications.

1.3 Site Preparation

- Consult your site survey and network analysis reports to determine specific equipment placement, power drops, and so on.
- Assign installation responsibility to the appropriate personnel.
- Identify and document where all installed components are located.
- Ensure adequate, dust-free ventilation to all installed equipment.
- Prepare Ethernet port connections.
- Verify cabling is within the maximum 100 meter allowable length.

1.4 AP-6511E Package Contents

An AP-6511E Access Point is available in integrated antenna and external antenna models. Contents differ depending on the model ordered.

- AP-6511E Access Point
- Mounting plate (used for both wall mount and Telco Box installations)
- Mounting plate lock screw
- AP-6511E Installation Guide (*This Guide*)
- RJ-45 double plug interconnect cable
- Fast Ethernet port 1 interconnect cable

1.5 Features

- One RJ-45 PoE Ethernet port (built into the AP-6511E Access Point)
- Optional second RJ-45 Ethernet port utilizing a pass through (keystone) cable (included)
- Optional three port Ethernet expansion module (sold separately)
- 2 LED indicators

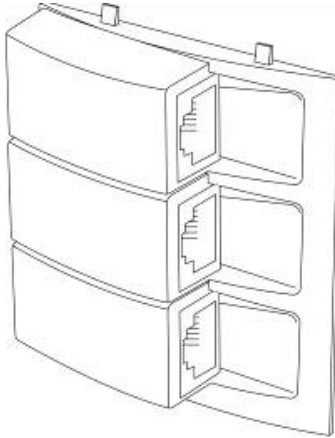
The pass through (keystone) cable provides an option to add a second Ethernet port before installing the AP-6511E.

The AP-6511E has one RJ-45 connector supporting an 10/100 Ethernet port and requires 802.3af compliant power from an external source.

The AP-6511E ships with a single dual-band radio supporting the 802.11a/b/g/n radio bands.

The Access Point contains runtime firmware which enables the unit to boot after either a power up or a watchdog reset. The runtime firmware on the Access Point can be updated via the Ethernet interface.

The front of the AP-6511E has an access cover that can be removed to expose an additional connector. A three port RJ-45 Ethernet expansion module connects to the hidden header and snaps onto the AP-6511E in place of the access cover.



Remove the AP-6511E's access cover by inserting a long pointed tool into the circular hole (opening) on the bottom of the AP-6511E. Pull the access cover up and away from the AP-6511E. Reverse the procedure to install the expansion module.

The Ethernet expansion module has three ports labeled FE2, FE3 and FE4.

The expansion module (KT-6511-0000D-WR) is a separately orderable component from Motorola Solutions.

2 Hardware Installation

2.1 Installation Instructions

An AP-6511E Access Point mounts either on a wall, under a table or over a Telco Box. The AP-6511E is not plenum rated.



NOTE The provided metal mounting plate is fastened to an existing standard Telco in-wall box. The box is customer provided within the customer building structure, and can be either plastic or metal in composition. Screws and other mounting hardware are not include.

The AP-6511E is mounted to a wall or Telco Box so the mounting plate is flush with the mounting surface.

The AP-6511E snaps on to the mounting plate without the use of tools or fastening hardware. Removal of the AP-6511E from the mounting plate can be accomplished without the use of a tool. A mounting lock screw is provided to help ensure a tamper resistant installation.



NOTE Once installed onto the mounting plate, the assembly can resist a minimum of 10 lbs of force before unit breakage or accidental disassembly.

To prepare for the installation, perform the following:

1. Verify the contents of the box includes the intended AP-6511E Access Point model and accessory hardware.
2. Review site survey and network analysis reports to determine the location and mounting position for the AP-6511E Access Point.
3. Connect a CAT-5 or better Ethernet cable to a PoE compatible device and run the cable to the installation site. Ensure there is sufficient cable slack to perform the installation steps.

2.2 Precautions

Before installing an AP-6511E model Access Point:

- Verify the intended AP-6511E deployment location is not prone to moisture or dust.
- Verify the environment has a continuous temperature range between 0° C to 40° C.

2.3 Access Point Placement

For optimal performance, install the Access Point away from transformers, heavy-duty motors, fluorescent lights, microwave ovens, refrigerators and other industrial equipment. Signal loss can occur when metal, concrete, walls or floors block transmission. Install the Access Point in an open area or add Access Points as needed to improve coverage.

To maximize the Access Point's radio coverage area, Motorola Solutions recommends conducting a site survey to define and document radio interference obstacles before installing the Access Point.

2.4 Power Injector System

When users purchase a WLAN solution, they often need to place Access Points in obscure locations. In the past, a dedicated power source was required for each Access Point in addition to the Ethernet infrastructure. This often required an electrical contractor to install power drops at each Access Point location. The Power Injector merges power and Ethernet into one cable, reducing the burden of installation and allowing optimal Access Point placement in respect to the intended coverage area.

A Motorola Solutions Power Injector (AP-PSBIAS-2P2-AFR) is recommended as the 802.3af compatible power supply for the AP-6511E. The Power Injector is capable of providing 12.95 Watts up to 100 meters. The Power Injector is separately ordered and not shipped with the AP-6511E. A separate Power Injector is required for each Access Point comprising the network.

The Power Injector has no On/Off power switch. The Injector receives power and is ready for device connection and operation as soon as AC power is applied. Refer to the Installation Guide shipped with the Power Injector for a description of the device's LEDs. The Power Injector can be installed free standing, on an even horizontal surface or wall mounted using the Power Injector's wall mounting key holes.

The following guidelines should be adhered to before cabling the Power Injector to an Ethernet source and an Access Point:

- Do not block or cover airflow to the Power Injector.
- Keep the Power Injector away from excessive heat, humidity, vibration and dust.
- The Power Injector isn't a repeater, and does not amplify the Ethernet signal. For optimal performance, ensure the Power Injector is placed as close as possible to the Ethernet switch. This will allow the AP-6511E to be deployed away from power drops.

- Ensure the cable length from the Ethernet source (host) to the Power Injector and AP-6511E Access Point does not exceed 100 meters (333 ft).



CAUTION To avoid problematic performance and restarts, disable POE from a wired controller port connected to an Access Point if mid-span *power sourcing equipment* (PSE) is used between the two, regardless of the manufacturer.



CAUTION Ensure AC power is supplied to the Power Injector using an AC cable with an appropriate ground connection approved for the country of operation.

2.5 Wall Mount Installation

Ceiling mount requires holding the AP-6511E Access Point up against a T-bar of a suspended ceiling grid and twisting the case onto the T-bar.



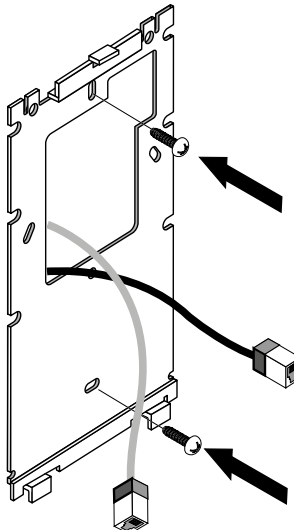
NOTE Motorola Solutions recommends the following customer supplied mounting accessories an AP-6511E wall mount installation:

- 2, screws, #6 x 2.00 inch pan head
- 2, wall anchors suitable for the #6 screws

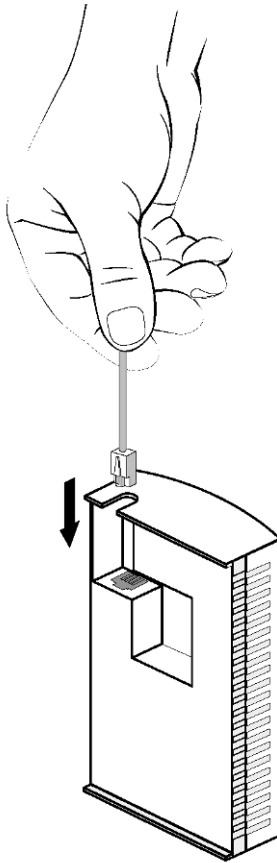
To install an AP-6511E model Access Point to a wall surface:

1. Attach the metal mounting plate (shipped with the AP-6511E) to a wall surface at the desired deployment location.

The screws used to mount the bracket are customer provided and should be #6, with a 2.00 inch length.

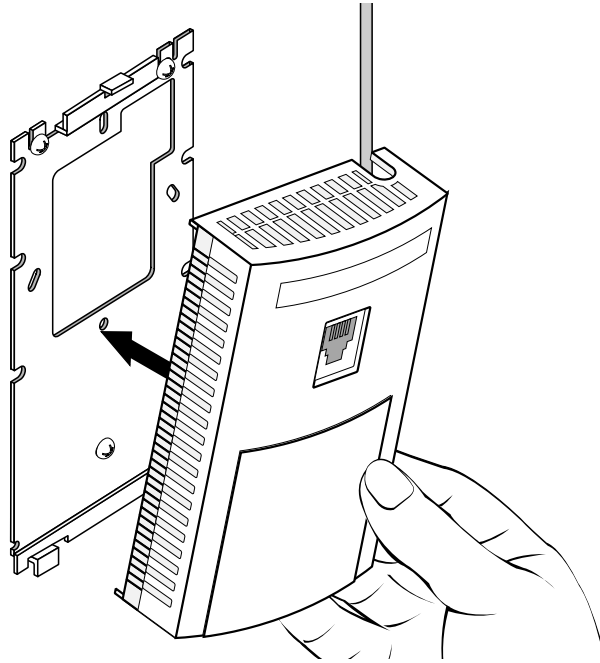


2. Connect one end of an RJ-45 cable into the wall mount connector on the AP-6511E as illustrated below.



3. If using the optional second RJ-45 Ethernet port (utilizing a pass through keystone cable), ensure the following steps are completed:
 - a. Bend the cable into a "U" shape so the mini pin connector and the RJ-45 keystone cable are in close proximity to one another.
 - b. Install the mini pin connector into the pin socket on the back of the AP-6511E. The connector is keyed and can only be installed one way. Ensure the mini pin connector is connected securely.
 - c. Remove the blank plug from the keystone hole by gently pushing it out from the back.
 - d. Orient the RJ-45 keystone connector so the flexible keystone tab is away from the mini pin connector. Tip the keystone RJ-45 while installing in the keystone opening so the solid locking tabs engage, then rotate the RJ-45 forward until the tab snaps securely.

4. Snap the AP-6511E on to the mounted wall plate. Use the locking screw to secure the unit. This connection does not require the use of tools or fastening hardware.



Once installed, connections are hidden from forward view, with only the physical infrastructure cables (Ethernet and power) extending from the AP-6511E.

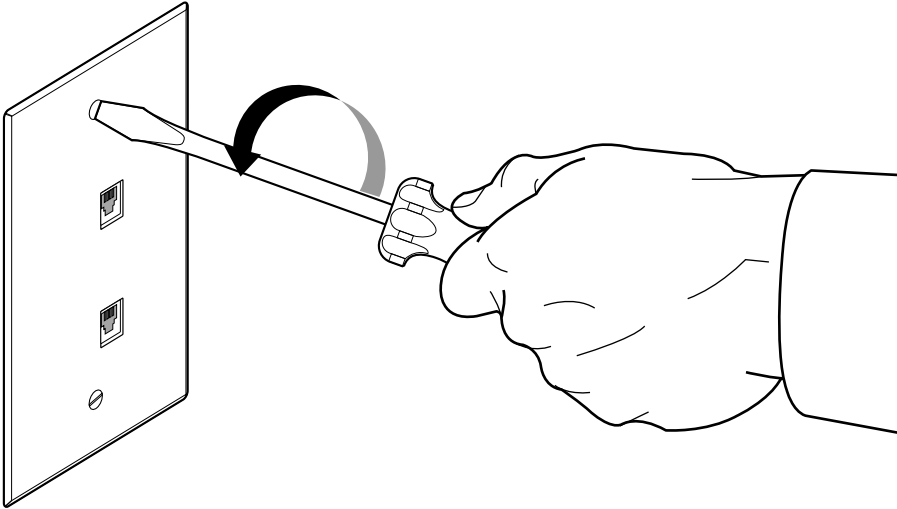
5. Cable the Access Point using a Power Injector solution (AP-PSBIAS-2P2-AFR) as described in the following:
 - a. Connect an RJ-45 CAT5 Ethernet cable between the network data supply (host) and the Power Injector's **Data In** connector.
 - b. Connect an RJ-45 CAT5 Ethernet cable between the Power Injector's **Data & Power Out** connector and the AP-6511E Access Point.
 - c. Ensure the cable length from the Ethernet source (host) to the Power Injector and Access Point does not exceed 100 meters (333 ft). The Power Injector has no On/Off power switch. The Power Injector receives power as soon as AC power is applied. For more information, see [Power Injector System](#).
6. Verify the behavior of the AP-6511E Access Point LEDs. For more information, see [LED Indicators](#).
7. The AP-6511E is ready to configure. For information on basic Access Point device configuration, see [Basic WING Express Access Point Configuration](#).

2.6 Telco Box Installation

For Telco Box installations, the AP-6511E is installed directly over the standard wall plate supplying Ethernet. All cabled electrical connections are made within a recessed well in the housing of the AP-6511E Access Point.

To install the AP-6511E Access Point over a Telco box:

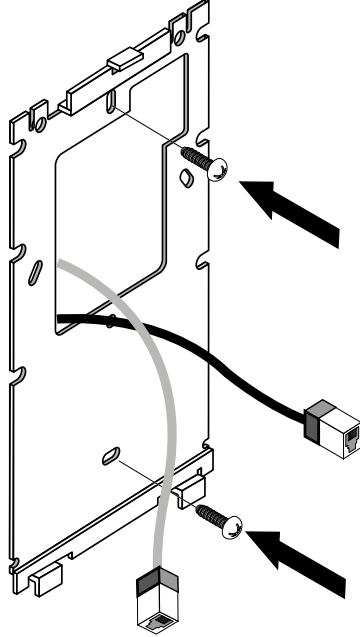
1. Remove the cover of the CAT5 wall plate.



NOTE The example above assumes the Telco Box has a 1 RJ11 phonejack and 1 RJ-45 10/100 Ethernet connection.

2. Snap out keystone connectors from existing plate.
3. Gently pull some cable out of the wall so it can be used with the AP-6511E Access Point.
4. Attach the metal mounting plate (shipped with the AP-6511E) to an existing standard Telco in-wall box.

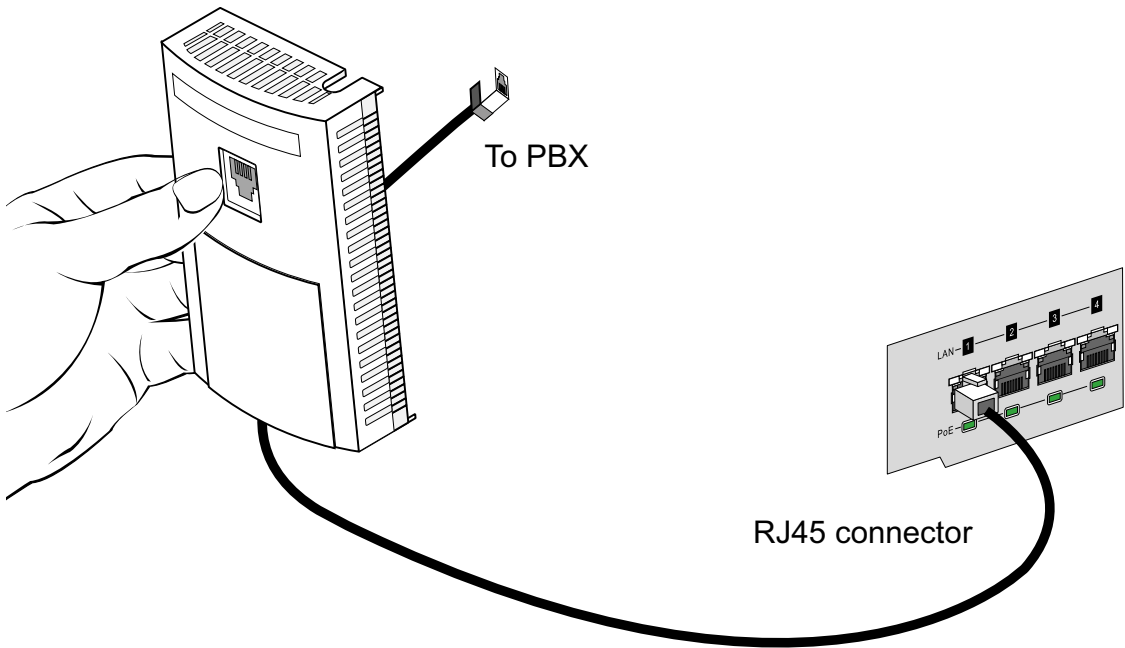
The screws used to mount the bracket to the Telco Box are customer provided. You can use the same screws that covered the existing wall plate if necessary.



Mount the bracket to the wall so the Telco Box is ready available behind the mounting plate.

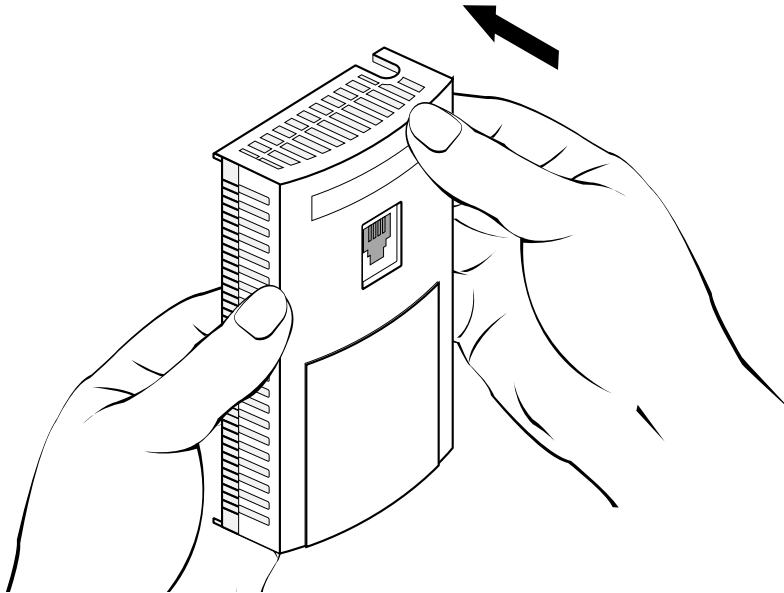
5. Remove the blank plug before installing the RJ11 into the snap-in port.

6. Install the RJ11 (keystone style) connector into the AP-6511E's snap-in port.



7. If using the optional second RJ-45 Ethernet port (utilizing a pass through keystone cable), ensure the following steps are completed:
 - a. Bend the cable into a "U" shape so the mini pin connector and the RJ-45 keystone cable are in close proximity to one another.
 - b. Install the mini pin connector into the pin socket on the back of the AP-6511E. The connector is keyed and can only be installed one way. Ensure the mini pin connector is connected securely.
 - c. Remove the blank plug from the keystone hole by gently pushing it out from the back.
 - d. Orient the RJ-45 keystone connector so the flexible keystone tab is away from the mini pin connector. Tip the keystone RJ-45 while installing in the keystone opening so the solid locking tabs engage, then rotate the RJ-45 forward until the tab snaps securely.
8. Install the RJ-45 double plug uplink jumper into the UP1/POE jack and connect it into the RJ-45 Ethernet connector.

9. Snap the AP-6511E on to the mounted wall plate and secure the AP-6511E using the mounting plate lock screw. This connection does not require the use of tools or fastening hardware.



10. Cable the Access Point using a Power Injector solution (AP-PSBIAS-2P2-AFR) as described in the following:
 - e. Connect an RJ-45 CAT5 Ethernet cable between the network data supply (host) and the Power Injector's **Data In** connector.
 - f. Connect an RJ-45 CAT5 Ethernet cable between the Power Injector's **Data & Power Out** connector and the AP-6511E Access Point.
 - g. Ensure the cable length from the Ethernet source (host) to the Power Injector and Access Point does not exceed 100 meters (333 ft). The Power Injector has no On/Off power switch. The Power Injector receives power as soon as AC power is applied. For more information, see [Power Injector System](#).
11. Verify the behavior of the AP-6511E Access Point LEDs. For more information, see [LED Indicators](#).
12. The AP-6511E is ready to configure. For information on basic Access Point device configuration, see [Basic WiNG Express Access Point Configuration](#).

2.7 AP-6511E Antennas

The AP-6511E model Access Point contains two internal (embedded) dual-band antennas supporting both the 802.11bgn (2.4 GHz) and 802.11an (5.0 GHz) bands. No customer assembly or antenna orientation is required.

The AP-6511E radio can transmit on one or two antennas depending on the operating modes. The radio can receive on one or two antennas as well. The data rates supported are different in each case.

2.8 LED Indicators

An AP-6511E model Access Point has two LED activity indicators on the front of the unit.

The LEDs provide a status display indicating error conditions, transmission, and network activity for the 5 GHz 802.11a/n (amber) radio or the 2.4 GHz 802.11b/g/n (green) radio.

Task	5 GHz Activity LED (Amber)	2.4 GHz Activity LED (Green)
Unadopted	On	On
Normal Operation	<ul style="list-style-type: none"> • If this radio band is enabled: Blink at 5 second interval • If this radio band is disabled: Off • If there is activity on this band: Blink at a 1Hz 	<ul style="list-style-type: none"> • If this radio band is enabled: Blink at 5 second interval • If this radio band is disabled: Off • If there is activity on this band: Blink at a 1Hz
Firmware Update	On	Off
Locate AP Mode	Blink at 5Hz (Out of Phase with Activity LED)	Blink at 5Hz (Out of Phase with Activity LED)

3 Basic WiNG Express Access Point Configuration

For a WiNG Express SKU (AP6511E), both the WiNG Express UI and an *over the air* (OTA) provisioning configuration are required for a basic setup and network connection. For a non WiNG Express SKU (AP6511), there's no OTA support, and the Access Point utilizes just the UI for its basic setup.



NOTE For information on using WiNG Express beyond this initial setup, refer to the *Motorola Solutions WiNG Express Users Guide* to familiarize yourself with the WiNG Express Access Point operating system. The guide is available at <https://portal.motorolasolutions.com/Support/US-EN>.

To provide the Access Point a basic configuration and access WiNG Express management functions:

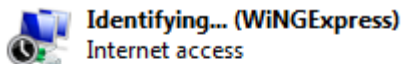
1. Power up the Access Point.

The Access Point can be powered using an appropriately rated power adapter, POE injector or POE switch resource.

2. Connect to the Access Point.

For WiNG Express models:

Connect to the WiNG Express SSID. For Windows systems, locate the SSID by selecting the network icon on the bottom right corner of the screen. For MAC systems, locate the SSID by selecting the network icon on the top right corner of the screen.



Wireless Network Connection 2

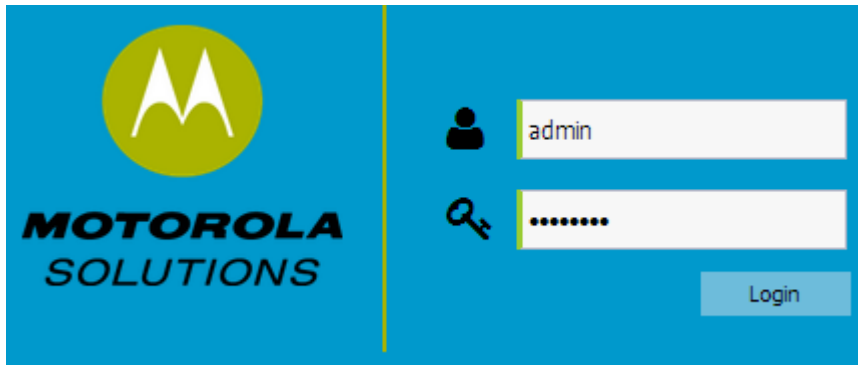
WiNGExpress

Connected

Open a browser (Chrome, Firefox or Internet Explorer) and enter <http://express.motorolasolutions.com>. The login screen displays.

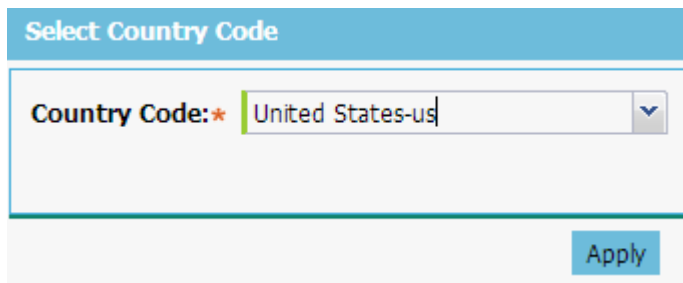
For non-WiNG Express models:

Refer to the bottom of the Access Point to obtain the numeric IP address used for connecting to the device. Point the Web browser to the Access Point's IP address. The login screen displays.



3. Enter the default username *admin* in the **Username** field.
4. Enter the default password *motorola* in the **Password** field.
5. Select the **Login** button to load the management interface.

If this is the first time the WiNG Express interface has been accessed, a screen displays prompting for the Access Point's country code.



6. Select the **Country Code** specific to this Access Point's deployment location.

Selecting the correct country is central to legal operation. Each country has its own regulatory restrictions concerning electromagnetic emissions and the maximum RF signal strength that can be transmitted. Select **Apply** to implement the selected Country Code. SKU's only support certain countries (for example: a US SKU only includes US, Guam, Puerto Rico, American Samoa, US Virgin Islands and Mariana Island).

The Access Point automatically displays a **Dashboard** where users can assess network health and conduct a diagnostic review of Access Point performance.



NOTE At some point in the Access Point's initial setup, the default password should be changed to enhance the security of the Access Point and WiNG Express managed network. Refer to the *Configuration > Management* screen to change the default password to a more secure password.

7. Expand the **Configuration** menu item and select **Basic**.

The screenshot displays the 'Basic Configuration Settings' interface. It includes the following fields and controls:

- AP Name:** A text input field containing 'AN-08-15E54C'.
- Country Code:** A dropdown menu with 'Select a Country' as the current selection.
- Virtual Controller:** A checkbox that is currently unchecked.
- Timezone:** A dropdown menu with 'Select a Timezone' as the current selection.
- Date & Time:** A date input field showing '05/12/2014', an hour spinner set to '1', a minute spinner set to '34', and radio buttons for 'AM' and 'PM' (with 'PM' selected).
- NTP Server:** A text input field with three dots indicating a placeholder for an IP address.

At the bottom right of the form, there are two buttons: 'Apply' and 'Discard'.

8. Set the following **Basic Configuration Settings** for this Access Point:
- *AP Name* - Provide an AP Name used as this Access Point's WiNG Express network identifier. If setting this Access Point as a Virtual Controller, each Access Point managed by this Virtual Controller lists this Access Point's AP Name as its own. The AP Name is a required parameter.
 - *Country Code* - If the Country Code was not set when the Access Point was initially powered on, set the country now to ensure the Access Point's legal operation. The Access Point's wireless capabilities are disabled until the required country code is set.
 - *Virtual Controller* - Select this option to define this Access Point as a Virtual Controller capable of managing and provisioning up to 24 Access Points of the same model. If selecting this Access Point as a Virtual Controller, those Access Points managed by this Virtual Controller will list this Access Point's AP Name as its own. Only one Virtual Controller can be designated.
 - *Timezone* - Use the drop-down menu to specify the geographic timezone where the Access Point is deployed. Different geographic time zones have daylight savings clock adjustments, so specifying the timezone correctly is important to account for geographic time changes.
 - *Date & Time* - Set the date, hour and minute for the Access Point's current system time. Specify whether the current time is in the *AM* or *PM*.
 - *NTP Server* - Optionally provide the IP address of a NTP server resource. *Network Time Protocol* (NTP) manages time and/or network clock synchronization within the WiNG Express network. NTP is a client/server implementation. Access Points (NTP clients) periodically synchronize their clock with a master clock (an NTP server). For example, an Access Point resets its clock to 07:04:59 upon reading a time of 07:04:59 from its designated NTP server.
9. Select **Apply** to implement the updates.

- Expand the **Configuration** menu item and select **WAN**.

WAN Settings

Enable:

Port: ge1

Interface: vlan1

DHCP Client Static IP PPPoE Settings

Static IP/Mask:*

Primary DNS:

Secondary DNS:

Default Gateway:

- Refer to the **WAN Settings** field and set the following:
 - Enable** - Select this option to allow a connection between the Access Point and a larger network or outside world through the WAN port. Disable this option to isolate the WAN connection. No connections to a larger network or Internet are possible. Clients cannot communicate beyond configured subnets. Both the physical *Port* used to connect to the WAN and the virtual *Interface* (VLAN) are also listed and fixed.
 - DHCP Client** - Select this option to enable DHCP for the Access Point WAN connection. This is useful, if the target network or *Internet Service Provider* (ISP) uses DHCP. DHCP is a protocol that includes mechanisms for IP address allocation and delivery of host-specific configuration parameters from a DHCP server to a host. Some of these parameters are IP address, network mask, and gateway. Motorola Solutions recommends the WAN and LAN ports should not both be configured as DHCP clients.
 - Static IP** - Select this option to bypass DHCP address allocation resources and manually set the IP address for the Access Point's WAN connection. Manually provide the Access Point's Static IP/Mask and Default Gateway.
 - PPPoE Settings** - Optionally enable *Point-to-Point Protocol over Ethernet* (PPPoE) on the WAN network. If PPPoE is enabled, provide the required *Auth Type*, *Login Name* and *Login Password*. Server Name and Default Gateway are optional settings. PPP is a data-link protocol for dialup connections allowing an Access Point to use a broadband modem (DSL, cable modem, etc.) for access to high-speed data and broadband networks. Most DSL providers support (or deploy) the PPPoE protocol. PPPoE uses standard encryption, authentication, and compression as specified by the PPPoE protocol. PPPoE enables the Access Point to establish a point-to-point connection to an ISP over an existing Ethernet interface.

- *Static IP / Mask* - Specify an IP address for the WAN connection if using static address assignment for the WAN port. An IP address uses a series of four numbers expressed in dot notation, for example, 190.188.12.1. Additionally, specify a *Mask* for the access point's WAN connection. This number is available from the ISP for a DSL or cable-modem connection, or from an administrator if the Access Point connects to a larger network.
- *Primary/Secondary DNS/Default Gateway* - If using a static IP or DHCP, enter the Primary and Secondary DNS server resource's numerical IP address and Default Gateway.



NOTE If segmenting traffic between the Access Point's WAN and LAN, you'll need to create a VLAN. Complete steps 13 and 14 to define the required VLAN. Otherwise, proceed to step 15.

12. Select **Apply** to implement the updates.
13. Expand the **Configuration** menu item and select **Access Points**. Each **AP Name** displays as a link that can be selected to update the configuration of that specific Access Point. Select a target AP Name link from amongst those displayed in the Access Points screen.

Edit -> AN-08-15E54C

Basic Settings

AP Name :* AN-08-15E54C

Location : SEQUOIA-CONF

Version : 5.5.3.0-027D

Model : AP-7532-67030-US

UP Time : 0 days, 01 hours 08 minutes

LAN IP Interface Settings

+ Add | - Delete

<input checked="" type="checkbox"/>	Interface (1-4094)	Description	Static IP
	VLAN*		0.0.0.0/24

Update Cancel

Refer to the **LAN IP Interface Settings** field, and add a VLAN and Static IP as required for enabling DHCP (within the *Configuration > Services* screen) for client IP address requests and ensuring routable traffic.

14. Select **Apply** to commit the updates to the selected Access Point's configuration.
15. Expand the **Configuration** menu item and select **Wireless**.

The Wireless screen displays fields where *Radio Settings* and *Wireless LAN* settings can be defined. Motorola Solutions recommends default radio settings remain as is for the Access Point's basic setup. For information on using WiNG Express beyond this initial setup, refer to the *Motorola Solutions WiNG Express Users Guide*. The guide is available at <https://portal.motorolasolutions.com/Support/US-EN>.

In respect to the **Radio Settings**, the professional installer should be aware of the following:

2.4Ghz	Channel: <input type="text" value="smart"/>	Power: <input checked="" type="radio"/> Smart <input type="radio"/> 0	dBm	Antenna Gain:*	<input type="text" value="0"/>	dBm
5Ghz	Channel: <input type="text" value="smart"/>	Power: <input checked="" type="radio"/> Smart <input type="radio"/> 0	dBm	Antenna Gain:*	<input type="text" value="0"/>	dBm



NOTE The above example includes a field for setting the antenna gain. This setting is only available for external antenna model Access Points and does not display for internal antenna model Access Points.

- The **Channels** available for configuration are channels for which the product is approved in its selected country. The professional installer must ensure the product is set to operate under conditions, and on channels, approved by country regulations.
- Selecting **Smart** as the **Power** setting automatically configures radio power to not exceed the maximum power allowed by the defined country. For static power settings, the professional installer must ensure the configured power levels are compliant with local and regional regulations. The county selected automatically limits the maximum output power that can be set.
- For external antenna model Access Points, configure the **Antenna Gain** based on the antenna used in the deployment. The set gain value should include the antenna gain, along with any additional components, such as extension cables used between the Access Point and the antenna.

In respect to the **Wireless LAN** settings, the professional installer should be aware WiNG Express Access Points ship with a default WLAN (WiNGExpress). However, this WLAN does not provide adequate authentication to protect from unauthorized user access. Motorola Solutions recommends an additional WLAN configuration be created and validated before deleting default WLAN.

Wireless LAN

+ Add		Delete		Row Count: 1			
<input type="checkbox"/>	Name	Enable	SSID ▲	VLAN	Authentication Type	2.4GHz	5GHz
<input type="checkbox"/>	WINGExpress	✓	WINGExpress	2100	captive	✓	✗

16. To create a new WLAN, select **+ Add** from the upper, left-hand side of the **Wireless LAN** field.

Wireless LAN

Name:★

Enable:

SSID:★ Client-To-Client Communication

Security: Open
 Secure-PSK
 Secure-802.1x
 Guest

Band: 2.4 GHz 5 GHz

VLAN:★ (1 - 4094)

Description:

17. Set the following configuration attributes for the new WLAN:

- *Name* - Provide a unique name for the WLAN as its WiNG Express network identifier. This is a required setting.
- *Enable* - Select this setting to enable this WLAN within the WiNG Express managed Access Point network and to provide some measure of data protection not available in the default WLAN.

- *SSID* - Specify the WLAN's SSID. The WLAN SSID is case sensitive and alphanumeric. SSID length should not exceed 32 characters. This is a required setting. Select **Client-To-Client Communication** to enable client interoperability within this WLAN. The default is disabled, meaning clients are *not* allowed to exchange packets with other clients. It does not necessarily prevent clients on other WLANs from sending packets to this WLAN, but if this setting is disabled on the other WLAN, clients are not permitted to interoperate at all.
- *WLAN Type* - The screen displays with the **Open** option selected. Naming and saving such a policy (as is) would provide no security and might only make sense in a network wherein no sensitive data is either transmitted or received. This default setting is *not* recommended.

If selecting **Secure-PSK**, enter a **WPA2 Key** to password protect the WLAN. Define whether the key is entered in ASCII or HEX characters. Selecting *Show* to expose the key is not recommended.

If selecting **Secure-802.1x**, provide an IP address (or hostname) and a shared secret (password) used to access an external RADIUS server resource designated to validate user requests to the Access Point's WLAN resources.

Selecting **Guest** displays fields for captive portal Web page creation, and is beyond the scope of this basic WiNG Express Access Point configuration.

- *Band* -Select the 2.4 GHz and/or 5 GHz radio bands supports by the WiNG Express managed Access Point and its connected client traffic. If this Access Point is designated as a Virtual Controller AP, both radio bands should be enabled.
- *VLAN* - Use the spinner control to specify a VLAN from 1 - 4,094 for this WLAN. When a client associates with a WLAN, the client is assigned a VLAN by load balance distribution. Motorola Solutions recommends you do not use VLAN 1 with the WLAN if the WAN port has been enabled.
- *Description* - Optionally enter a WLAN description to further describe the WLAN's deployment objective within the WiNG Express managed network.

18. Select **Apply** to commit the updates to the Access Point's WLAN configuration.

19. Expand the **Configuration** menu item and select **Services**

DHCP Settings

Enable DHCP Server

+ Add | Delete | Row Count: 0

<input type="checkbox"/>	Interface	IP	Start IP	End IP

Apply | Discard

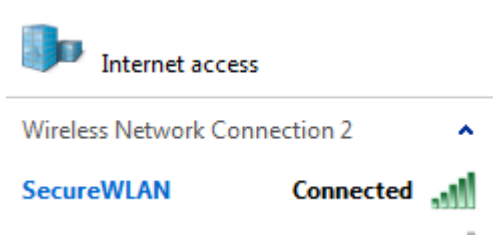
20. Select **Enable DHCP Server** to ensure the Access Point can provision IP addresses to requesting clients over the specified interface.



NOTE A VLAN must be already configured and available to the DHCP server as a viable interface between the Access Point and requesting client. Refer to the **LAN IP Interface Settings** field (within the Edit Access Point screen), and add a VLAN.

Select **+ Add** and provide a starting and ending IP range of addresses that constitute a pool of addresses available to requesting clients.

21. Select **Apply** to commit the updates to the Access Point's DHCP configuration.
22. At this point, you're ready to connect to the WiNG Express managed network using the security restrictions applied to the newly created WLAN. Ensure the new secure WLAN has been enabled, and check whether a client is able to access the WiNG Express network.



NOTE Only when the new WLAN configuration is validated as accessible should the existing WiNG Express default WLAN be deleted.

4 Specifications

4.1 Electrical Characteristics

An AP-6511E model Access Point has the following electrical characteristics:

Operating Current & Voltage 250mA@48VDC

4.2 Physical Characteristics

An AP-6511E model Access Point has the following physical characteristics:

<i>Dimensions</i>	2.75 width x 5 height x 1.25 deep (Inches) 6.985 width x 12.7 height x 3.175 deep (centimeters)
<i>Housing</i>	Plastic and metal
<i>Weight</i>	0.5 lbs (with mounting plate)
<i>Operating Temperature</i>	32°F to 104°F/0°C to 40°C
<i>Storage Temperature</i>	-40°F to 158°F/-40°C to 85°C
<i>Operating Humidity</i>	5 to 95% Relative Humidity non-condensing
<i>Storage Humidity</i>	95% Relative Humidity non-condensing
<i>Operating Altitude (max)</i>	8,000 ft @ 28°C
<i>Storage Altitude (max)</i>	30,000 ft @ 12°C
<i>Electrostatic Discharge</i>	+/-8kV Air and +/-8kV Contact @ 50% Relative Humidity

4.3 Radio Characteristics

An AP-6511E model Access Points have the following radio characteristics:

<i>Operating Channels</i>	2.4 GHz - Channels 1-13 5 GHz - Channels 36-64; channels 100 - 165 Actual operating frequencies depend on regulatory approval for the country of use.
<i>Data Rates Supported</i>	802.11b: 1Mbps, 2Mbps, 5.5Mbps and 11Mbps 802.11g: 6Mbps, 9Mbps, 12Mbps, 18Mbps, 24Mbps, 36Mbps, 48Mbps and 54Mbps 802.11n: MCS0 through MCS15, HT20 and HT40
<i>Wireless Medium</i>	<i>Direct Sequence Spread Spectrum (DSSS), Orthogonal Frequency Division Multiplexing (OFDM) Spatial multiplexing (MIMO)</i>
<i>Network Standards</i>	802.11a, 802.11b, 802.11g, 802.3, 802.11n (Draft 2.0)
<i>Maximum Available Transmit Power</i>	Maximum available conducted transmit power per chain: 2.4 GHz: 21dBm Maximum available conducted transmit power all chains: 2.4 GHz: 24dBm Maximum available conducted transmit power per chain: 5 GHz: 19dBm Maximum available conducted transmit power all chains: 5 GHz: 22dBm
<i>Transmit Power Adjustment</i>	1dB increments

5 Regulatory Information

5.1 Regulatory Overview

This device is approved under the Motorola brand.

This guide applies to Model Number AP-6511.

All Motorola/Symbol devices are designed to be compliant with rules and regulations in locations they are sold and will be labeled as required.

Local language translations are available at the following website:

<https://portal.motorolasolutions.com/Support/US-EN/Wireless+Networks>

Any changes or modifications to Motorola Solutions equipment, not expressly approved by Motorola Solutions, could void the user's authority to operate the equipment.

Motorola Solutions Access Points must be professionally installed and configured so that the Radio Frequency Output Power will not exceed the maximum allowable limit for the country of operation.

Antennas: Use only the supplied or an approved replacement antenna. Unauthorized antennas, modifications, or attachments could cause damage and may violate regulations. Use of an unapproved antenna is illegal under FCC regulations subjecting the end user to fines and equipment seizure.

5.2 Wireless Device Country Approvals

Regulatory markings, subject to certification, are applied to the device signifying the radio(s) is/are approved for use in the following countries: United States, Canada, Japan, China, S. Korea, Australia, and Europe.

Please refer to the *Declaration of Conformity* (DoC) for details of other country markings. This is available at

<http://www.motorolasolutions.com/doc>

Note: For 2.4GHz or 5GHz Products: Europe includes, Austria, Belgium, Bulgaria, Czech Republic, Cyprus, Denmark, Estonia, Finland, France, Germany, Greece, Hungary, Iceland, Ireland, Italy, Latvia, Liechtenstein, Lithuania, Luxembourg, Malta, Netherlands, Norway, Poland, Portugal, Romania, Slovak Republic, Slovenia, Spain, Sweden, Switzerland and the United Kingdom.



Operation of the device without regulatory approval is illegal.

5.2.1 Country Selection – Note for AP & Wireless Controller

Select only the country in which you are using the device. Any other selection will make the operation of this device illegal. The US version of the Access Point will only have US listed in the country selection table. The US version will be sold / used in the US protectorates: American Samoa, Guam, Puerto Rico, US Virgin Islands.

5.2.2 Frequency of Operation – FCC and IC

5 GHz Only

The use on UNII (Unlicensed National Information Infrastructure) Band 1 5150-5250 MHz is restricted to indoor use only, any other use will make the operation of this device illegal.

Industry Canada Statement:

Caution: The device for the band 5150-5250 MHz is only for indoor usage to reduce potential for harmful interference to co-Channel mobile satellite systems. High power radars are allocated as primary users (meaning they have priority) of 5250-5350 MHz and 5650-5850 MHz and these radars could cause interference and/or damage to LE-LAN devices.

Avertissement: Le dispositif fonctionnant dans la bande 5150-5250 MHz est réservé uniquement pour une utilisation à l'intérieur afin de réduire les risques de brouillage préjudiciable aux systèmes de satellites mobiles utilisant les mêmes canaux. Les utilisateurs de radars de haute puissance sont désignés utilisateurs principaux (c.-à-d., qu'ils ont la priorité) pour les bands 5250-5350 MHz et 5650-5850 MHz et que ces radars pourraient causer du brouillage et/ou des dommages aux dispositifs LAN-EL.

2.4 GHz Only

The available channels for 802.11 b/g operation in the US are Channels 1 to 11. The range of channels is limited by firmware.

5.3 Health and Safety Recommendations



5.3.1 Warnings for the use of Wireless Devices

Please observe all warning notices with regard to the usage of wireless devices

5.3.2 Potentially Hazardous Atmospheres – Fixed Installations

You are reminded of the need to observe restrictions on the use of radio devices in fuel depots, chemical plants etc. and areas where the air contains chemicals or particles (such as grain, dust, or metal powders).

5.3.3 Safety in Hospitals

Wireless devices transmit radio frequency energy and may affect medical electrical equipment. When installed adjacent to other equipment, it is advised to verify that the adjacent equipment is not adversely affected.

Pacemakers

Pacemaker manufacturers recommended that a minimum of 15cm (6 inches) be maintained between a handheld wireless device and a pacemaker to avoid potential interference with the pacemaker. These recommendations are consistent with independent research and recommendations by Wireless Technology Research.

Persons with Pacemakers:

- Should ALWAYS keep the device more than 15cm (6 inches) from their pacemaker when turned ON.
- Should not carry the device in a breast pocket.
- Should use the ear furthest from the pacemaker to minimize the potential for interference.
- If you have any reason to suspect that interference is taking place, turn OFF your device.

Other Medical Devices

Please consult your physician or the manufacturer of the medical device, to determine if the operation of your wireless product may interfere with the medical device.

5.4 RF Exposure Guidelines

5.4.1 Safety Information

Reducing RF Exposure—Use Properly

Only operate the device in accordance with the instructions supplied.

5.5 International

The device complies with internationally recognized standards covering human exposure to electromagnetic fields from radio devices. For information on “International” human exposure to electromagnetic fields refer to the Motorola Solutions *Declaration of Conformity* (DoC) at

<http://www.motorolasolutions.com/doc>

5.6 EU

Remote and Standalone Antenna Configurations

To comply with EU RF exposure requirements, antennas that are mounted externally at remote locations or operating near users at stand-alone desktop or similar configurations must operate with a minimum separation distance of 20 cm from all persons.

5.7 US and Canada

Co-located statement

To comply with FCC RF exposure compliance requirement, the antennas used for this transmitter must not be co-located or operating in conjunction with any other transmitter/antenna except those already approved in this filing.

Remote and Standalone Antenna Configurations

To comply with FCC RF exposure requirements, antennas that are mounted externally at remote locations or operating near users at stand-alone desktop or similar configurations must operate with a minimum separation distance of 20 cm from all persons.

5.8 Power Supply

This device is powered from a 802.3af compliant power source which is UL approved and certified by the appropriate agencies.

5.9 Radio Frequency Interference Requirements—FCC



This equipment has been tested and found to comply with the limits for a Class B digital device, pursuant to Part 15 of the FCC rules. These limits are designed to provide reasonable protection against harmful interference in a residential installation. This equipment generates, uses and can radiate radio frequency energy and, if not installed and used in accordance with the instructions, may cause harmful interference to radio communications. However there is no guarantee that interference will not occur in a particular installation. If this equipment does cause harmful interference to radio or television reception, which can be determined by turning the equipment off and on, the user is encouraged to try to correct the interference by one or more of the following measures:

- Increase the separation between the equipment and receiver
- Connect the equipment into an outlet on a circuit different from that to which the receiver is connected
- Consult the dealer or an experienced radio/TV technician for help

Radio Transmitters (Part 15)

This device complies with Part 15 of the FCC Rules. Operation is subject to the following two conditions: (1) this device may not cause harmful interference, and (2) this device must accept any interference received, including interference that may cause undesired operation.

Restricted Band 5.60 – 5.65 GHz

5.10 Radio Frequency Interference Requirements – Canada

This Class B digital apparatus complies with Canadian ICES-003.

Cet appareil numérique de la classe B est conforme à la norme NMB-003 du Canada.

5.10.1 Radio Transmitters

For RLAN Devices:

The use of 5 GHz RLAN's, for use in Canada, have the following restrictions:

- Restricted Band 5.60 – 5.65 GHz

L'utilisation de RLAN de 5 GHz, pour utilisation au Canada est soumise aux restrictions suivantes:

- Bande Restreinte de 5,60 à 5,65 GHz

This device complies with RSS 210 of Industry & Science Canada. Operation is subject to the following two conditions: (1) this device may not cause harmful interference and (2) this device must accept any interference received, including interference that may cause undesired operation.

Ce dispositif est conforme à la norme CNR-210 d'Industrie Canada applicable aux appareils radio exempts de licence. Son fonctionnement est sujet aux deux conditions suivantes: (1) le dispositif ne doit pas produire de

brouillage préjudiciable, et (2) ce dispositif doit accepter tout brouillage reçu, y compris un brouillage susceptible de provoquer un fonctionnement indésirable

Label Marking: The Term "IC:" before the radio certification only signifies that Industry Canada technical specifications were met.

5.11 CE Marking and European Economic Area (EEA)



The use of 2.4 GHz RLAN's, for use through the EEA, have the following restrictions:

- Maximum radiated transmit power of 100 mW EIRP in the frequency range 2.400 -2.4835 GHz.
- France, outside usage is restricted to 2.4 – 2.454 GHz.
- Italy requires a user license for outside usage.

5.12 Mexico

"La operación de este equipo está sujeta a lassiguientes dos condiciones: (1) es posible que este equipo o dispositivo no cause interferencia perjudicialy (2) este equipo o dispositivo debe aceptar cualquierinterferencia, incluyendo la que pueda causar suoperación no deseada."

5.13 Statement of Compliance

Motorola Solutions hereby, declares that this device is in compliance with the essential requirements and other relevant provisions of Directive 1999/5/EC. A Declaration of Conformity may be obtained from

<http://www.motorolasolutions.com/doc>.

5.14 Waste Electrical and Electronic Equipment (WEEE)



English: For EU Customers: All products at the end of their life must be returned to Motorola Solutions for recycling. For information on how to return product, please go to:

<http://www.motorolasolutions.com/recycling/weee>.

Français: Clients de l'Union Européenne: Tous les produits en fin de cycle de vie doivent être retournés à Motorola Solutions pour recyclage. Pour de plus amples informations sur le retour de produits, consultez :

<http://www.motorolasolutions.com/recycling/weee>.

Español: Para clientes en la Unión Europea: todos los productos deberán entregarse a Motorola Solutions al final de su ciclo de vida para que sean reciclados. Si desea más información sobre cómo devolver un producto, visite:

<http://www.motorolasolutions.com/recycling/weee>.

Български: За клиенти от ЕС: След края на полезния им живот всички продукти трябва да се връщат на Motorola Solutions за рециклиране. За информация относно връщането на продукти, моля отидете на адрес: <http://www.motorolasolutions.com/recycling/weee>.

Deutsch: Für Kunden innerhalb der EU: Alle Produkte müssen am Ende ihrer Lebensdauer zum Recycling an Motorola Solutions zurückgesandt werden. Informationen zur Rücksendung von Produkten finden Sie unter <http://www.motorolasolutions.com/recycling/weee>.

Italiano: per i clienti dell'UE: tutti i prodotti che sono giunti al termine del rispettivo ciclo di vita devono essere restituiti a Motorola Solutions al fine di consentirne il riciclaggio. Per informazioni sulle modalità di restituzione, visitare il seguente sito Web: <http://www.motorolasolutions.com/recycling/weee>.

Português: Para clientes da UE: todos os produtos no fim de vida devem ser devolvidos à Motorola Solutions para reciclagem. Para obter informações sobre como devolver o produto, visite:

<http://www.motorolasolutions.com/recycling/weee>.

Nederlands: Voor klanten in de EU: alle producten dienen aan het einde van hun levensduur naar Motorola Solutions te worden teruggezonden voor recycling. Raadpleeg <http://www.motorolasolutions.com/recycling/weee> voor meer informatie over het terugzenden van producten.

Polski: Klienci z obszaru Unii Europejskiej: Produkty wycofane z eksploatacji należą i zwrócić do firmy Motorola Solutions w celu ich utylizacji. Informacje na temat zwrotu produktów znajdują się na stronie internetowej

<http://www.motorolasolutions.com/recycling/weee>.

Čeština: Pro zákazníky z EU: Všechny produkty je nutné po skončení jejich životnosti vrátit společnosti Motorola Solutions k recyklaci. Informace o způsobu vrácení produktu najdete na webových stránkách:

<http://www.motorolasolutions.com/recycling/weee>.

Eesti: EL klientidele: kõik tooted tuleb nende eluea lõppedes tagastada taaskasutamise eesmärgil Motorola Solutions'ile. Lisainformatsiooni saamiseks toote tagastamise kohta külastage palun aadressi:

<http://www.motorolasolutions.com/recycling/weee>.

Magyar: Az EU-ban vásárlóknak: Minden tönkrement terméket a Motorola Solutions vállalathoz kell eljuttatni újrahasznosítás céljából. A termék visszajuttatásának módjával kapcsolatos tudnivalóként látogasson el a

<http://www.motorolasolutions.com/recycling/weee> weboldalra.

Svenska: För kunder inom EU: Alla produkter som uppnått sin livslängd måste returneras till Motorola Solutions för återvinning. Information om hur du returnerar produkten finns på

<http://www.motorolasolutions.com/recycling/weee>.

Suomi: Asiakkaat Euroopan unionin alueella: Kaikki tuotteet on palautettava kierrätettäväksi Motorola Solutions-yhtiöön, kun tuotetta ei enää käytetä. Lisätietoja tuotteen palauttamisesta on osoitteessa

<http://www.motorolasolutions.com/recycling/weee>.

Dansk: Til kunder i EU: Alle produkter skal returneres til Motorola Solutions til recirkulering, når de er udtjent. Læs oplysningerne om returnering af produkter på: <http://www.motorolasolutions.com/recycling/weee>.

Ελληνικά: Για πελάτες στην Ε.Ε.: Όλα τα προϊόντα, στο τέλος της διάρκειας ζωής τους, πρέπει να επιστρέφονται στην Motorola Solutions για ανακύκλωση. Για περισσότερες πληροφορίες σχετικά με την επιστροφή ενός προϊόντος, επισκεφθείτε τη διεύθυνση <http://www.motorolasolutions.com/recycling/weee> στο Διαδίκτυο.

Malti: Għal klijenti fl-UE: il-prodotti kollha li jkunu waslu fl-aħħar tal-ħajja ta' l-użu tagħhom, iridu jiġu rritornati għand Motorola Solutions għar-riċiklaġġ. Għal aktar tagħrif dwar kif għandek tirritorna l-prodott, jekk jogħġbok żur: <http://www.motorolasolutions.com/recycling/weee>.

Românesc: Pentru clienții din UE: Toate produsele, la sfârșitul duratei lor de funcționare, trebuie returnate la Motorola Solutions pentru reciclare. Pentru informații despre returnarea produsului, accesați: <http://www.motorolasolutions.com/recycling/weee>.

Slovenski: Za kupce v EU: vsi izdelki se morajo po poteku življenjske dobe vrniti podjetju Motorola Solutions za reciklažo. Za informacije o vračilu izdelka obiščite: <http://www.motorolasolutions.com/recycling/weee>.

Slovenčina: Pre zákazníkov z krajín EU: Všetky výrobky musia byť po uplynutí doby ich životnosti vrátené spoločnosti Motorola Solutions na recykláciu. Bližšie informácie o vrátení výrobkov nájdete na: <http://www.motorolasolutions.com/recycling/weee>.

Lietuvių: ES vartotojams: visi gaminiai, pasibaigus jų eksploatacijos laikui, turi būti gražinti utilizuoti į kompaniją „Motorola Solutions“. Daugiau informacijos, kaip gražinti gaminį, rasite: <http://www.motorolasolutions.com/recycling/weee>.

Latviešu: ES klientiem: visi produkti pēc to kalpošanas mūža beigām ir jānogādā atpakaļ Motorola Solutions otrreizējai pārstrādei. Lai iegūtu informāciju par produktu nogādāšanu Motorola, lūdzu, skatiet: <http://www.motorolasolutions.com/recycling/weee>.

Türkçe: AB Müşterileri için: Kullanım süresi dolan tüm ürünler geri dönüşürme için Motorola Solutions'ya iade edilmelidir. Ürünlerin nasıl iade edileceği hakkında bilgi için lütfen şu adresi ziyaret edin: <http://www.motorolasolutions.com/recycling/weee>.

5.15 TURKISH WEEE Statement of Compliance

EEE Yönetmeliğine Uygundur

5.16 Japan (VCCI) - Voluntary Control Council for Interference Class B ITE

この装置は、情報処理装置等電波障害自主規制協議会（VCCI）の基準に基づくクラスB情報技術装置です。この装置は、家庭環境で使用することを目的としていますが、この装置がラジオやテレビジョン受信機に近接して使用されると、受信障害を引き起こすことがあります。取扱説明書に従って正しい取り扱いをして下さい。

This is a Class B product based on the standard of the Voluntary Control Council for Interference from Information Technology Equipment (VCCI). If this is used near a radio or television receiver in a domestic environment, it may cause radio interference. Install and use the equipment according to the instruction manual.

5.17 Korea Warning Statement for Class B ITE

기종별	사용자안내문
B 급 기기 (가정용 방송통신기기)	이 기기는 가정용 (B 급) 으로 전자파적합등록을 한 기기로서 주로 가정에서 사용하는 것을 목적으로 하며, 모든 지역에서 사용할 수 있습니다.
Class B (Broadcasting Communication Device for Home Use)	This device obtained EMC registration mainly for home use (Class B) and may be used in all areas.

5.18 Other Countries

Australia

Use of 5 GHz RLAN's in Australia is restricted in the following band 5.50 – 5.65 GHz.

Brazil

Regulatory declarations for AP-6511 - BRAZIL

Note: The certification mark applied to the AP-6511 is for Restrict Radiation Equipment. This equipment operates on a secondary basis and does not have the right for protection against harmful interference from other users including same equipment types. Also this equipment must not cause interference to systems operating on primary basis.

For more information consult the website <http://www.anatel.gov.br>

Declarações Regulamentares para AP-6511 - Brasil

Nota: "A marca de certificação se aplica ao Transceptor, modelo AP-650. Este equipamento opera em caráter secundário, isto é, não tem direito a proteção contra interferência prejudicial, mesmo de estações do mesmo tipo, e não pode causar interferência a sistemas operando em caráter primário."

Para maiores informações sobre ANATEL consulte o site: <http://www.anatel.gov.br>

Chile

"Este equipo cumple con la Resolución No 403 de 2008, de la Subsecretaria de telecomunicaciones, relativa a radiaciones electromagnéticas."

"This device complies with the Resolution Not 403 of 2008, of the Undersecretary of telecommunications, relating to electromagnetic radiation."

Mexico

Restrict Frequency Range to: 2.450 – 2.4835 GHz.

Taiwan

NOTICE!

According to: Administrative Regulations on Low Power Radio Waves Radiated Devices

Article 12

Without permission granted by the DGT, any company, enterprise, or user is not allowed to change frequency, enhance transmitting power or alter original characteristic as well as performance to an approved low power radio-frequency devices.

Article 14

The low power radio-frequency devices shall not influence aircraft security and interfere legal communications; If found, the user shall cease operating immediately until no interference is achieved.

The said legal communications means radio communications is operated in compliance with the Telecommunications Act.

The low power radio-frequency devices must be susceptible with the interference from legal communications or ISM radio wave radiated devices Wireless device operate in the frequency band of 5.25-5.35 GHz, limited for Indoor use only.

臺灣

低功率電波輻射性電機管理辦法

第十二條

經型式認證合格之低功率射頻電機，非經許可，公司、商號或使用者均不得擅自變更頻率、加大功率或變更原設計之特性及功能。

第十四條

低功率射頻電機之使用不得影響飛航安全及干擾合法通信；經發現有干擾現象時，應立即停用，並改善至無干擾時方得繼續使用。

前項合法通信，指依電信規定作業之無線電通信。

低功率射頻電機須忍受合法通信或工業、科學及醫療用電波輻射性電機設備之干擾。

在 5.25–5.35 赫頻帶內操作之無線資訊傳輸設備，限於室內使用。

Korea

For radio equipment using 2400~2483.5MHz or 5725~5825MHz, the following expressions should be displayed:

4. "This radio equipment can be interfered with during operation."

당해 무선설비는 운용 중 전파혼신 가능성이 있음

5. "This radio equipment cannot provide a service relevant to human life safety, as it can be crossed" through the user manual, etc.

당해 무선설비는 전파혼신 가능성이 있으므로 인명안전과 관련된 서비스는 할 수 없습니다

6 Motorola Solutions Support Center

If you have a problem with your equipment, contact support for your region.

Contact information is available at: <https://portal.motorolasolutions.com/Support/US-EN>

When contacting Motorola Solutions support, please provide the following information:

- Serial number of the unit
- Model number or product name
- Software type and version number

Motorola Solutions responds to calls by e-mail, telephone, or fax within the time limits set forth in support agreements. If you purchased your product from a Motorola Solutions business partner, contact that business partner for support.

Customer Support Web Sites

The Motorola Solutions Support Central Web site, located at <https://portal.motorolasolutions.com/Support/US-EN>.

provides information and online assistance including developer tools, software downloads, product manuals and online repair requests.

Manuals

<https://portal.motorolasolutions.com/Support/US-EN/Wireless+Networks>.

General Information

Obtain additional information by contacting Motorola Solutions at:

Telephone (North America): 1-800-722-6234

Telephone (International): +1-631-738-5200

Website: <http://www.motorolasolutions.com>



Motorola Solutions, Inc.
1301 E. Algonquin Rd.
Schaumburg, IL 60196-1078, U.S.A.
<http://www.motorolasolutions.com>

MOTOROLA, MOTO, MOTOROLA SOLUTIONS and the Stylized M Logo are trademarks or registered trademarks of Motorola Trademark Holdings, LLC and are used under license. All other trademarks are the property of their respective owners.
© 2014 Motorola Solutions, Inc. All Rights Reserved.



MN000033A01
Revision B May 2014

