

USER MANUAL -- IR LED DIMMER 12-24V

The 12+1 Key Infrared dimmer is an intelligent dimmer for LED lighting brightness adjusting, and with manually knob adjusting and IR wireless remote adjusting optional. It is suitable for commercial and household 86-style socket installation, you can install it visibly outside the wall or invisibly inside the wall. It can meet different brightness requirements at different time with the dimmer, suitable to dim hi-power or low-power LED lamps, for example, point source, led strip, wall-wash lamp or glass curtain wall lamp. Through the knob or IR remote control for brightness adjustment, grey scale level 256, it has delay shutdown and fixed gray output functions.

1. Specifications

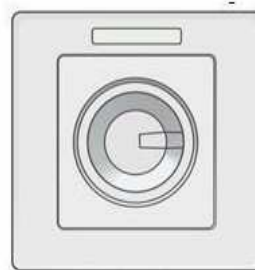
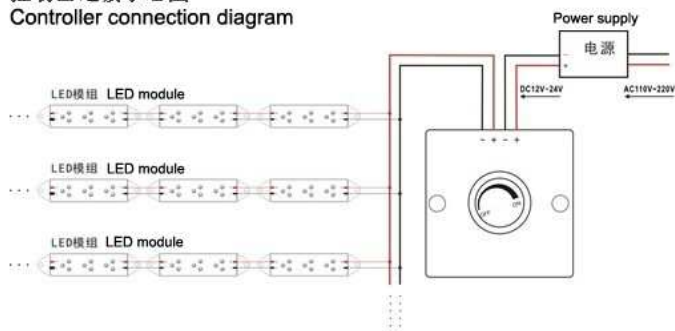
- Working temperature: -20~60°C
- Supply voltage: 12V 24V (Optional) (for orders specify voltage)
- Output: 1 channel
- Static power consumption: <1W
- Output current: <8A
- Output power: 12V<96W, 24V<192W
- Controller dimension: L87*W87*H53mm
- Remote dimension: L86*W40*H6.6mm
- Packing size: L95*W95*H75mm
- Net weight: 145g
- Gross weight: 180g

2. Installation and use instructions

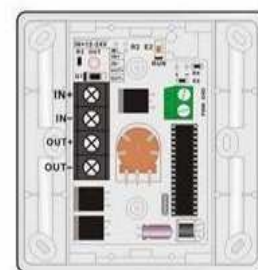
- The input voltage of this controller should to be DC12V~24V.
 - Never connect two wires directly in case of short circuit.
 - Knob operation: Rotary knob clockwise to increase brightness, knob counterclockwise rotation will decrease the brightness.
- Remote control operation: the remote control facing the infrared receiver, ensure that there are no obstructions between remote controller and receiver; When dimmer receives an effective signal from the infrared remote control, the light on the upside flickers;

控制器连接示意图

Controller connection diagram

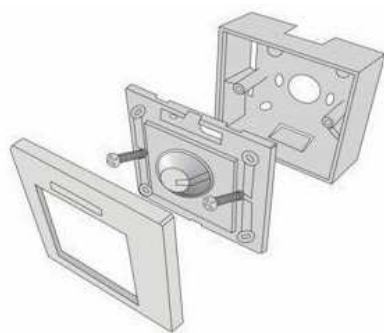


Front view



Back view

Remote panel Guide



Notice:

The power supply effective power is only 80% of the power marker, so when user to select power must more than LED light load power, at least more than 20%

3. Warranty: Warranty of this product is one year, but exclude the artificial situation of damaged or overload working.