



Microwave Oven

MANUAL OF INSTRUCTIONS FOR USE AND INSTALLATION



Read these instructions carefully before using your microwave oven, and keep it carefully.

If you follow the instructions, your oven will provide you with many years of good service.

SAVE THESE INSTRUCTIONS CAREFULLY
PRECAUTIONS TO AVOID POSSIBLE EXPOSURE TO EXCESSIVE
MICROWAVE ENERGY

- (a) Do not attempt to operate this oven with the door open since this can result in harmful exposure to microwave energy. It is important not to break or tamper with the safety interlocks.
- (b) Do not place any object between the oven front face and the door or allow soil or cleaner residue to accumulate on sealing surfaces.
- (c) **WARNING:** If the door or door seals are damaged, the oven must not be operated until it has been repaired by a competent person.

ADDENDUM

If the apparatus is not maintained in a good state of cleanliness, its surface could be degraded and affect the lifespan of the apparatus and lead to a dangerous situation.

Specifications

Model:	MWO01-3418
Rated Voltage:	230V~50Hz
Rated Input	3000W
Power(Microwave):	
Oven Capacity:	34L
External Dimensions:	574.2 528.4 367.5mm
Net Weight	Approx. 30.5kg

IMPORTANT SAFETY INSTRUCTIONS

To reduce the risk of fire, electric shock, injury to persons

WARNING or exposure to excessive microwave oven energy when using your appliance, follow basic precautions, including the following:

1. Warning: Liquids and other foods must not be heated in sealed containers since they are liable to explode.
2. Warning: It is hazardous for anyone other than a competent person to carry out any service or repair operation that involves the removal of a cover which gives protection against exposure to microwave energy.
3. Warning: Only allow children to use the oven without supervision when adequate instructions have been given so that the child is able to use the oven in a safe way and understand the hazards of improper use.
4. Warning: When the appliance is operated in the combination mode, children should only use the oven under adult supervision due to the temperatures generated.
(only for grill series)
5. Only use utensils suitable for use in microwave ovens.
6. The oven should be cleaned regularly and any food deposits should be removed. 7. Read and follow the specific:"PRECAUTIONS TO AVOID POSSIBLE EXPOSURE TO EXCESSIVE MICROWAVE ENERGY". 8. When heating food in plastic or paper containers, keep an eye on the oven due to the possibility of ignition.
9. If smoke is observed, switch off or unplug the appliance and keep the door closed in order to stifle any flames.
10. Do not overcook food.
11. Do not use the oven cavity for storage purposes. Do not store items, such as bread, cookies, etc. inside the oven.
12. Remove wire twist-ties and metal handles from paper or plastic containers/bags before placing them in the oven.
13. Install or locate this oven only in accordance with the installation instructions provided.
14. Eggs in the shell and whole hard-boiled eggs should not be heated in microwave ovens since they may explode, even after microwave heating has ended.
15. Use this appliance only for its intended uses as described in manual. Do not use corrosive chemicals or vapors in this appliance. This oven is especially designed to heat. It is not designed for industrial or laboratory use.
16. If the supply cord is damaged, it must be replaced by the manufacturer, its service agent or similarly qualified persons in order to avoid a hazard. 17. Do not store or use this appliance outdoors.

18. Do not use this oven near water, in a wet basement or near a swimming pool.
19. The temperature of accessible surfaces may be high when the appliance is operating. The surfaces are liable to get hot during use. Keep cord away from heated surface, and do not cover any vents on the oven.
20. Do not let cord hang over edge of table or counter.
21. Failure to maintain the oven in a clean condition could lead to deterioration of the surface that could adversely affect the life of the appliance and possibly result in a hazardous situation.
22. Warning: The contents of feeding bottles and baby food jars shall be stirred or shaken and the temperature checked before consumption, in order to avoid burns.
23. Warning: Microwave heating of beverages can result in delayed eruptive boiling, therefore care must be taken when handling the container.
24. The appliance is not intended for use by persons (including children) with reduced physical, sensory or mental capabilities, or lack of experience and knowledge, unless they have been given supervision or instruction concerning use of the appliance by a person responsible for their safety.
25. Children should be supervised to ensure that they do not play with the appliance.
26. The microwave oven shall not be placed in a cabinet unless it has been tested in a cabinet.
27. Appliances are not intended to be operated by means of an external timer or separate remote-control system.
28. The door or the outer surface may get hot when the appliance is operating.
29. The means for disconnection from the supply mains having a contact separation in all poles that provide full disconnection under over-voltage category III conditions must be incorporated in the fixed wiring in accordance with the wiring rules.

To Reduce the Risk of Injury to Persons

Grounding Installation DANGER

Electric Shock Hazard

Touching some of the internal components can cause serious personal injury or death. Do not disassemble this appliance.

WARNING

Electric Shock Hazard Improper use of the grounding can result in electric shock. Do not plug into an outlet until appliance is properly installed and grounded.

CLEANING

Be sure to unplug the appliance from the power supply.

1. Clean the inside of the oven after using with a slightly damp cloth.
2. Clean the accessories in the usual way in soapy water.
3. The door frame and seal and neighboring parts must be cleaned carefully with a damp cloth when they are dirty.

This appliance must be grounded. In the event of an electrical short circuit, grounding reduces the risk of electric shock by providing an escape wire for the electric current.

This appliance is equipped with a cord having a grounding wire with a grounding plug.

The plug must be plugged into an outlet that is properly installed and grounded.

Consult a qualified electrician or serviceman if the grounding instructions are not completely understood or if doubt exists as to whether the appliance is properly

grounded. If it is necessary to use an extension cord, use only a 3-wire extension cord

1. A short power—supply cord is provided to reduce the risks resulting from becoming entangled in or tripping over a longer cord. 2. If a long cord set or extension cord is used: 1)The marked electrical rating of the cord set or extension cord should be at least as great as the electrical rating of the appliance.

2)The extension cord must be a grounding type 3—wire cord.

3)The long cord should be arranged so that it will not drape over the counter top or tabletop where it can be pulled on by children or tripped over unintentionally.

CAUTION

Personal Injury Hazard

It is hazardous for anyone other than a competent person to carry out any service or repair operation that involves the removal of a cover which gives protection against exposure to microwave energy.

UTENSILS

See the instructions on "Materials you can use in microwave oven or to be avoided in microwave oven." There may be certain non—metallic utensils that are not safe to use for microwaving. If in doubt, you can test the utensil in question following the procedure below.

Utensil Test:

1. Fill a microwave—safe container with 1 cup of cold water (250ml) along with the utensil in question.
2. Cook on maximum power for 1 minute.
3. Carefully feel the utensil. If the empty utensil is warm, do not use it for microwave cooking.
4. Do not exceed 1 minute cooking time.

Materials you can use in microwave oven Utensils

Remarks

Aluminum foil	Shielding only. Small smooth pieces can be used to cover thin parts of meat or poultry to prevent overcooking. Arcing can occur if foil is too close to oven walls. The foil should be at least 1 inch (2.5cm) away from oven walls.
Browning dish	Follow manufacturer's instructions. The bottom of browning dish must be at least 3/16 inch (5mm) above the turntable. Incorrect usage may cause the turntable to break.
Dinnerware	Microwave-safe only. Follow manufacturer's instructions. Do not use cracked or chipped dishes.
Glass jars	Always remove lid. Use only to heat food until just warm. Most glass jars are not heat resistant and may break.
Glassware	Heat-resistant oven glassware only. Make sure there is no metallic trim. Do not use cracked or chipped dishes.
Oven cooking bags	Follow manufacturer's instructions. Do not close with metal tie. Make slits to allow steam to escape.
Paper plates and cups	Use for short-term cooking/warming only. Do not leave oven unattended while cooking.
Paper towels	Use to cover food for reheating and absorbing fat. Use with supervision for a short-term cooking only.
Parchment paper	Use as a cover to prevent splattering or a wrap for steaming.
Plastic	Microwave-safe only. Follow the manufacturer's instructions. Should be labeled "Microwave Safe". Some plastic containers soften, as the food inside gets hot. "Boiling bags" and tightly closed plastic bags should be slit, pierced or vented as directed by package.
Plastic wrap	Microwave-safe only. Use to cover food during cooking to retain moisture. Do not allow plastic wrap to touch food.
Thermometers	Microwave-safe only (meat and candy thermometers).
Wax paper	Use as a cover to prevent splattering and retain moisture.

Materials to be avoided in microwave oven

Utensils	Remarks
Aluminum tray	May cause arcing. Transfer food into microwave-safe dish.
Food carton with metal handle	May cause arcing. Transfer food into microwave-safe dish.
Metal or metal-trimmed utensils	Metal shields the food from microwave energy. Metal trim may cause arcing.
Metal twist ties	May cause arcing and could cause a fire in the oven.
Paper bags	May cause a fire in the oven.
Plastic foam	Plastic foam may melt or contaminate the liquid inside when exposed to high temperature.
Wood	Wood will dry out when used in the microwave oven and may split or crack.

SETTING UP YOUR OVEN

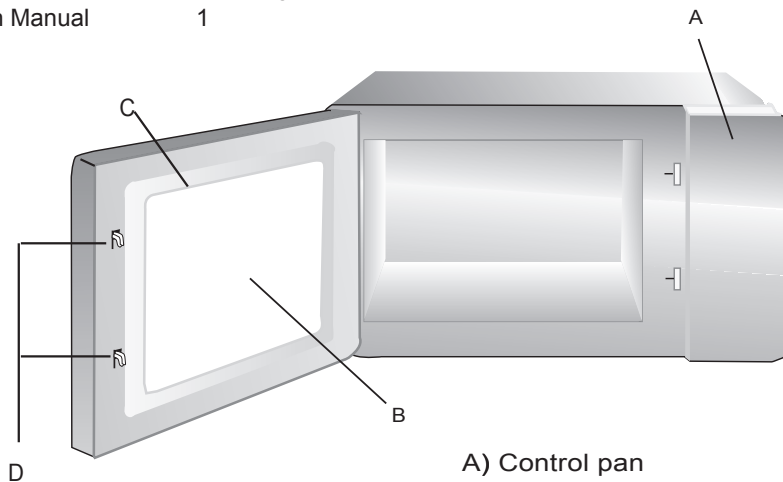
Names of Oven Parts and Accessories

Remove the oven and all materials from the carton and oven cavity.

Your oven comes with the following accessories:

Instruction Manual

1



- A) Control pan
- B) Observation wind
- C) Door assemb
- D) Safety interlock syst

Note: 1) Don't press the ceramic board forcibly.

2) Take and put the utensils gently during the operation in order to avoid damage to the ceramic board.

3) After using, dont touch the ceramic board by hand in order to avoid high temperature scald

Countertop Installation

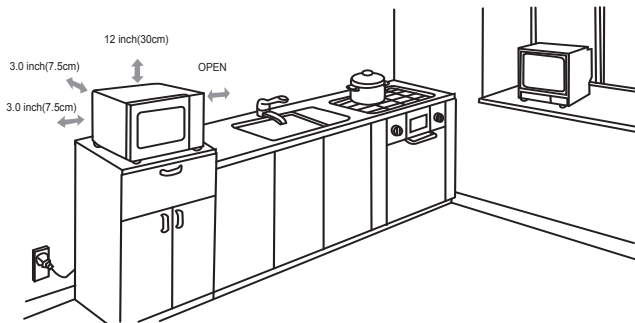
Remove all packing material and accessories. Examine the oven for any damage such as dents or broken door. Do not install if oven is damaged.

Cabinet: Remove any protective film found on the microwave oven cabinet surface. Do not remove the light brown Mica cover that is attached to the oven cavity to protect the magnetron.

Installation

Installation

1. Select a level surface that provide enough open space for the intake and/or outlet vents.
 - (3)) Blocki the intake and/or outlet openings can damage the oven.
 - (4)) Pla the oven as far away from radios and TV as possible. Operation of microwave oven may cause interference to your radio or TV reception.



2. Plug your oven into a standard household outlet. Be sure the voltage and the frequency is the same as the voltage and the frequency on the rating label.

WARNING: Do not install oven over a range cooktop or other heat-producing appliance. If installed near or over a heat source, the oven could be damaged and the warranty would be void.

The rear surface of appliance shall be placed against a wall. A minimum clearance of 3.0 inches (7.5cm) is required between the oven and any adjacent walls. One side must be open.

- (1)) Leave a minimum clearance of 12 inches (30cm) above the oven.
- (2)) Do not remove the legs from the bottom of the oven.

Cleaning Instructions

Always keep the oven clean

1. Cleaning the glass viewing window, the inner door panel and oven front face.

For best performance and to maintain the high degree of safety, the inner door panel and oven front face should be free of food or grease build-up. Wipe these parts with a mild detergent, rinse and wipe dry. Never use abrasive powders or pads.

2. Cleaning the control panel and plastic parts.

Do not apply a detergent or an alkaline liquid spray to the control panel and plastic parts, as this may cause damage to these parts.

Use a dry cloth (not a soaked cloth) to clean these parts.

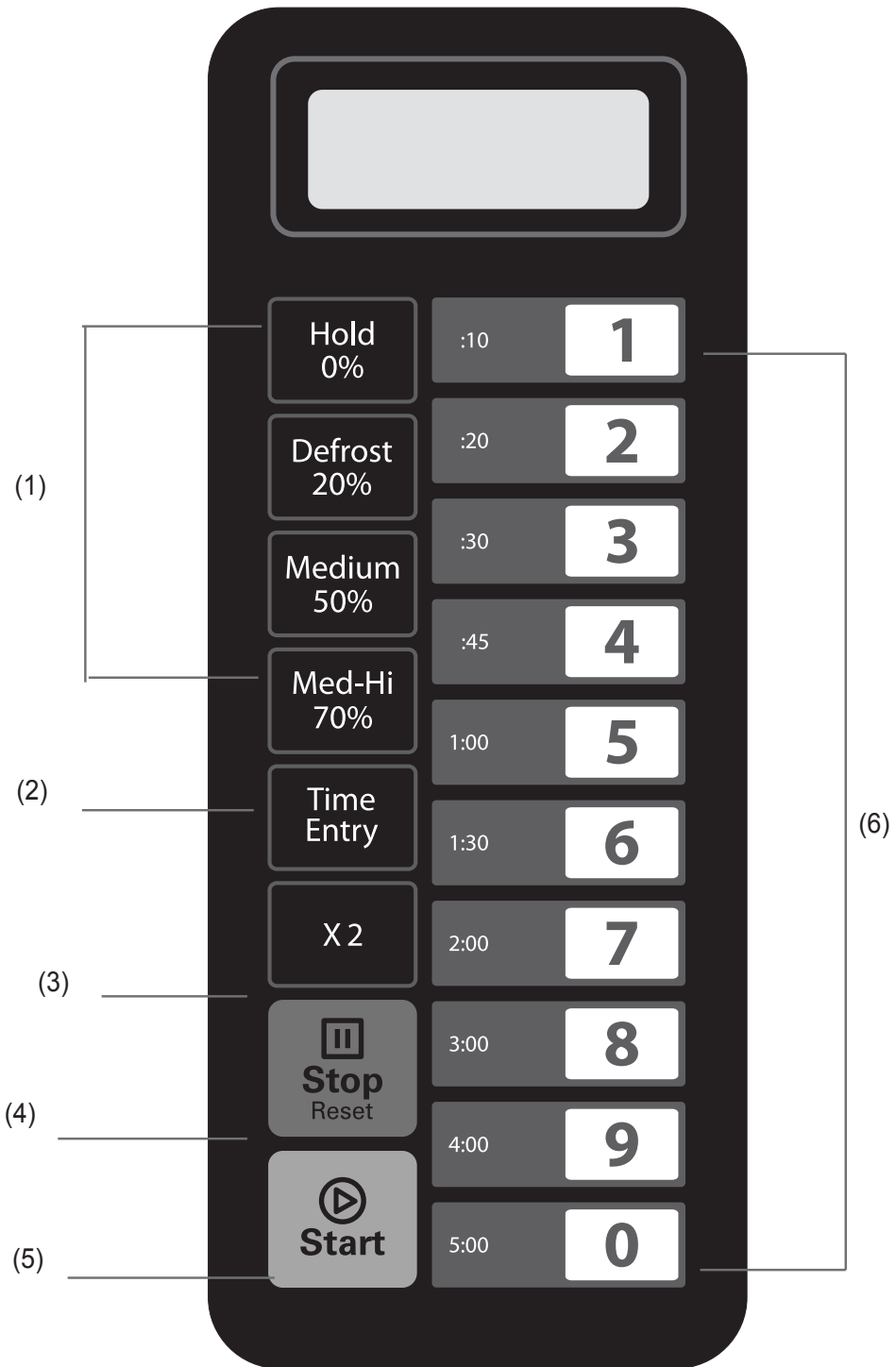
3. Cleaning the oven interior

After use be sure to clean up spilled liquids, spattered oil and food debris as quickly as possible. If the oven is used when dirty, efficiency drops and the dirt gets stuck on the oven surface and may cause bad odours. Clean the interior with a cloth soaked in luke-warm water with a mild detergent dissolved in it, then rinse the soap off with a damp cloth.

CAUTION: Do Not wipe plastic and painted sections of the oven with bleach, thinners or other cleaning agents, as this may cause these parts to dissolve or change sharp.

OPERATION

Control Panel and Features



- (1) Power Buttons
- (2) Time cook Button
- (3) Stp/Cancel Button
- (4) Start Button
- (5) X2 Button
- (6) Number Button

OPERATION INSTRUCTION Five power levels

are available.

Level	High	M. High	Med.	Defrost	Hold
Power	100%	70%	50%	20%	0%
Display	PL10	PL7	PL5	PL2	PL0

Appendix. A User Options

Items bolded below are the default values.

Option	Setting	Discription
1 EOC Tone	OP:10	3 seconds beep
	OP:11	Continuous beep
	OP:12	5 quick beeps,Repeating
2 Beeper Volume	OP:20	Beeper Off
	OP:21	Low
	OP:22	Medium
	OP:23	High
3 Beeper On/Off	OP:30	Keybeep Off
	OP:31	Keybeep On
4 Keyboard Window	OP:40	15 seconds
	OP:41	30 seconds
	OP:42	60 seconds
	OP:43	120 seconds
5 On the Fly	OP:50	On-the-Fly Disable
	OP:51	On-the-Fly Enable
6 Door Reset	OP:60	Door reset Disable
	OP:61	Door Reset Enable
7 Max time	OP:70	60 Minute Maximum Cook Time
	OP:71	10 Minute Maximum Cook Time
8 Manual Programming	OP:80	Manual Programming Disable
	OP:81	Manual Programming Enable
9 Double Digit	OP:90	Single Digit Mode-10 programs
	OP:91	Doule Digit Mode-100 programs
0 Clean Filter	OP:00	Off-Never Display Clean Filter
	OP:01	Weekly-Display every 7 days
	OP:02	Monthly-Display every 30 days
	OP:03	Quarterly-Display every 90 days.

Appendix. B Default Cook Times

The oven shall ship with the following Preset Cook Times unless otherwise noted in the product Specification.

Button	Display (Time)	Power	Cook Factors
1	0:10	100%	80%
2	0:20	100%	80%
3	0:30	100%	80%
4	0:45	100%	80%
5	1:00	100%	80%
6	1:30	100%	80%
7	2:00	100%	80%
8	3:00	100%	80%
9	4:00	100%	80%
0	5:00	100%	80%

1. Power

" _ _ _ _ " displays when the oven is electrified for the first time. If " _ _ _ _ " is pressed, the oven will change to idle mode. Note: Under idle mode, no button can be pressed.



- 1)) Ent . The oven shall enter idle mode after a set of seconds have expired in Ready Mode without a keyboard press or a door opening and closing. The number of seconds is determined by the keyboard Timeout Window, set by User Option 4.
- 2)) During idle mode, LED is blank. And there shall be no oven activity .
- 3)) Opening and then closing the oven door , the oven will exit the idle mode and into ready mode.

- 1) In this mode, the oven is ready to either begin a manual or preset cook cycle.
- 2)) Opening and closing the door while the oven is in Idle Mode will put the oven into Ready Mode.

- 2)) During Ready Mode, "0:00" display
- 3)) From the Ready Mode, the oven can go to almost all of the other modes




3. Ready Mode

- 1)) While the door of the oven is open, the oven shall be in Door Open Mode. This shall also allow for entry into Programming Mode. Whenever the door is open, the oven shall enter this mode.
- 2)) During this mode, LED is blank. And the fan and oven lamp work.
- 3)) When the door is closed, if User Option OP:60 is selected and the oven was running a manual or preset cook cycle, the oven shall enter Pause Mode. In all other cases, the oven shall return to Ready Mode with User Option OP:61 set, opening and closing the door will clear out any information about a Manual or Preset Program which was running.



4. Door Open Mode

- 1)) While the door of the oven is open, the oven shall be in Door Open Mode. This shall also allow for entry into Programming Mode. Whenever the door is open, the oven shall enter this mode.
- 2)) During this mode, LED is blank. And the fan and oven lamp work.
- 3)) When the door is closed, if User Option OP:60 is selected and the oven was running a manual or preset cook cycle, the oven shall enter Pause Mode. In all other cases, the oven shall return to Ready Mode with User Option OP:61 set, opening and closing the door will clear out any information about a Manual or Preset Program which was running.



5. Pause Mo

- 1) This mode allow the users to temporarily stop the cooking cycle to inspect or stir the food item.
- 2) While in Manual Cook Mode, or Preset Program Cook Mode, if the door is open or closed, or if the "  Stop " pad is pressed, the oven will enter Pause Mode.
Reset
- 3) While paused, LED will display the remaining cooking time
- 4) Pause Mode will expire back to Idle Mode in the exact fashion as Ready Mode dependent on User Option 4. Additionally, if the "  Stop " button is pressed, the oven shall immediately enter Ready Mode. OR if press "  " button, the oven will go into working mode.
Reset
Start


6. Manual Cook Entry Mo

- 1) The user may manually enter a cook time and power level while in this mode.
- 2) While the oven is in the Ready Mode, pressing the "Time Entry" button put the oven into Manual Cook Entry Mode.
- 3) During this mode, "00:00" displays
- 4) If you press " Hold " , " Defrost " , "Medium " or "Med-Hi" button to select power level
0% 20% 50% 70%
LED will display the related power. If the same button pressed twice, the power will change to PL10. If no power chosen, "PL0" is default.
- 5) During setting process, press "  " to enter Manual Cook Mode
Press "  " to enter Ready Mode.
Reset


7. Manual Cook Mo

- 1) This mode allows cooking of the food items. While in Manual Cook Entry Mode, pressing the "  " pad will cause the oven to begin Manual Cook Mode.
- 2) During this mode, remaining cooking time displays. The fan and oven lamp will light.
- 3) When cooking program finishes, the oven will enter End of Cook Cycle Mode
If you press "  " button under this mode, the oven will enter Pause Mode.
Reset


8. End of Cook Cycle Mo

- 1) After the time has expired in a Manual Cook Mode, or a Preset Program Cook Mode, the oven shall go into The End of Cook Cycle Mode.
- 2) During this mode, "End" display
- 3) If either User Option OP 1 or "OP:12" is selected, the oven shall continue to sound until the user acknowledges this by either opening and closing the door or pressing the " Stop Reset" pad. If User Option OP:12 is selected, after the 3 seconds beep, the oven shall go into Ready Mode.

9. Preset Program Cook Mo

- 1) This mode allows cooking of food items through a one pad touch operation. While in Ready Mode, pressing one of ten digit keys on the keyboard will cause the oven to run the Preset Program associated with that key.
- 2) LED displays the remaining cooking time. If it is multi-stage cooking, the total remaining cooking time displays not a particular stage cooking time.
- 3) If the program chosen exceeds the maximum time allowed by User Option 7, then the oven shall beep three times rapidly and display 00:00 to indicate that the program is unacceptable.
- 4) When cooking program finish, the oven will enter End of Cook Cycle Mode. If you press " Stop Reset" button under this mode, the oven will enter Pause Mode.

10. On the Fly Cook

- 1) The user may start another cook cycle while the oven is cooking or paused.
- 2) While the oven is cooking or under Pause Mode, if User Option OP:51 is selected, press number buttons, the preset cooking program will start automatically.
- 3) LED displays the remaining cooking time
- 4) When cooking program finish, the oven will enter End of Cook Cycle Mode. If you press " Stop Reset" button under this mode, the oven will enter Pause Mode.

11. Programming Mode

This mode allows the user to assign cook times and power levels to the once touche button.

- 1) Open the door and press "1" for 5 seconds, the buzzer will sound once and enter Programming Mode.
- 2) "ProG" display
- 3) Press "Time" button, LED will display the saved time, then you can input you need.
- 4) Press "Hold" button, LED will display the saved time, then you can input you need.
0% "Defrost", 20% "Medium" or "Med-Hi" 70% " to input the power level
LED will display the related power. If the same button pressed twice, the power will change to PL10. If no power chosen, "PL0" is default.
- 5) To change the cooking factors: If press "X2", LED will display "CF:XX". The default factor is 80%. "CF:80" displays. If you need to change the cooking power, just press one of the number buttons to set.
- 6) After setting the time and power, press "Start", the cooking program will start. When the program saved, "ProG" displays.
- 7) If all the cooking time exceeds the MAX.time User Option 7, when press "Start" to save the program, the buzzer will sound three times briefly and LED will display "00:00" to tell you the time is no use. And then LED turn back to show "ProG". The time set before will be no change.
- 8) Close the door, the oven will turn back to Ready Mode.
If press "Stop" button during setting process, the oven turn to Door Open Mode.
The program that not saved will be lost. If there is program saved as memory procedure, press the related number button, the saved program will start. If no saved program, the buzzer will alarm when pressing number button and it will not work.

For example: set the program as memory cooking.

Program; Power level PL7 and cooking time is 1 minute and 25 seconds.

Step 1: In waiting state, press number button "1" for 5 seconds, "ProG" displays.

Step 2: Press number button "3", the program will be saved in "3".

Step 3: Press "Time" button, "0:00" displays.

Step 4: Press number buttons "1", "2" and "5" to input the cooking time.

Step 5: Press "Med-Hi" button, "PL7" displays. See

Step 6: Press "Start" to save. When use the program next time, the related program will start.

Note:

1. If the electricity is cut off, the saved program will not lost.
2. If the program need to reset, just repeat the above step

3. If press "Stop" at the last step, it will turn back to Ready Mode. The setting will be no use.

12. Double Quantity cookin

- 1) Through the use of the X2 pad, the user can easily set the time two of a particular food item.
 - 2) Under waiting state, press "X2" button and then press number buttons 0-9 in 5 seconds, the oven will start cooking with the quantity preset cooking time.
 - 3) Press "X2", "doub" displays. When press number buttons, LED will display the quantity preset time.
For example, number button "5" and its preset time is 1 minute. Then press "X2", then time will change to $1:00 \times (1+0.8) = 1:48$
 - 4) When cooking program finish, the oven will enter End of Cook Cycle Mod
- Note: This function cannot be used under memory mode.

13. Stage Cooking Programm

This allows the user to cook food items at combination of various Power Levels.

- 1) Three stages can be set at most under cooking mode or memory mode.
After setting the power and time for the first stage, press "Time Entry" to set the second stage.
And the same step to set the third stage.
 - 2) When setting the second or the third stage, press "Time Entry"
- 3) Press "Start" button to start cookin
- Example: To set three stages as memory mode. The first stage is PL7 and time is 1 minute 25 seconds. The second stage is PL5 and 5 minutes and 40 seconds. The steps are follow.
- a. In waiting state, press "1" for 5 seconds, LED displays "ProG".
 - b. Press number buttons "3" to save the program in "3"
 - c. Press "Time Entry", "00:00"
 - d. Press "1", "2", "5" to input the cooking time. "1:25" display
 - e. Press "Med-Hi 70%", "PL7" displays.
The first stage is finished.
 - f. Press "Time Entry", LED display
 - g. Press "5", "4", "0" button, "5:40" display
 - h. Press "Medium 50%", "PL5" display
The second stage is finished.

14. Use Option M


This allows the user choose between various ways for the oven to operate.


- 1) Open the oven door and press "2" for 5 seconds. The buzzer sounds once and enter this mode.
- 2) LED displays "OP: - -"
- 3) Press any number button to enter related mode setting

For example: to set the voice of the buzzer to medium. Press " 2 ", "OP:22" displays.



If you want to change, keep pressing "2", LED displays "OP:20", "OP:21", "OP:22", "OP:23", "OP:20"in cycle.

- 4) Press "  " to save the current setting. After saved, "OP: - -" display again.


- 5) During setting process, press "  " to enter Door Op Ready Mode.

- 6) If "  " button not pressed at the last step, the program cannot be saved but stay at previous way.


15. Service M

- 1) Open the oven door and press "3" for 5 seconds to enter service mode
- 2) LED displays "SErU"
- 3) To check the times of closing or opening the door, just press number button "3", LED will display the times.
- 4) Press "  " and then press number button "4" in 4 seconds, the message will be cancelled. "4-CL" displays.
- 5) Press "  " to enter Door Open Mode. Close the door will enter Ready Mode.

16. Inquiry Function

During microwave cooking process, press "  " to check the power level. LED display the power for 3 seconds then turn back to previous state. It is available for multi-stage cooking.

17. Factory-default setting

In power up and ready mode, press "  " a

Maintenance

Troubleshooting

Check your problem by using the chart below and try the solutions for each problem. If the microwave oven still does not work properly, contact the nearest authorized service center.

TROUBLE	POSSIBLE CAUSE	POSSIBLE REMEDY
Oven will not start	<ul style="list-style-type: none">a. Electrical cord for oven not plugged in.b. Door is openc. Wrong operation is set.	<ul style="list-style-type: none">a. Plug into the outletb. Close the door and try again.c. Check instruction
Arcing or sparking	<ul style="list-style-type: none">a. Materials to be avoided microwave oven were used.b. The oven is operated when empty.c. Spilled food remains in the cavity.	<ul style="list-style-type: none">a. Use microwave-safe cookware only.b. Do not operate with oven empty.c. Clean cavity with wet towel
Unevenly cooked foods	<ul style="list-style-type: none">a. Materials to be avoided microwave oven were used.b. Food is not defrosted completely.c. Cooking time, power level is not suitable.d. Food is not turned or stirred	<ul style="list-style-type: none">a. Use microwave-safe cookware only.b. Completely defrost foodc. Use correct cooking time power level.d. Turn or stir food.
Overcooked foods	Cooking time, power level is not suitable.	Use correct cooking time, power level.
Undercooked foods	<ul style="list-style-type: none">a. Materials to be avoided microwave oven were used.b. Food is not defrosted completely.c. Oven ventilation ports are restricted.d. Cooking time, power level not suitable.	<ul style="list-style-type: none">a. Use microwave-safe cookware only.b. Completely defrost foodc. Check to see that oven ventilation ports are not restricted.d. Use correct cooking time power level.
Improper defrosting	<ul style="list-style-type: none">a. Materials to be avoided microwave oven were used.b. Cooking time, power level not suitable.c. Food is not turned or stirred	<ul style="list-style-type: none">a. Use microwave-safe cookware only.b. Use correct cooking time power level.c. Turn or stir food.