



CTL® IP2152 Owners Manual



A PREMIUM DISPLAY PRODUCT

Operation Instructions

Thank you for purchasing this monitor, a high-resolution multi-scan color monitor. Please read this guide thoroughly before installation.

FCC RADIO FREQUENCY INTERFERENCE STATEMENT WARNING: (FOR FCC CERTIFIED MODELS)

This monitor has been tested and found compliant with the limits for a Class B digital device, pursuant to part 15 of the FCC Rules. These limits are designed to provide proper protection against harmful interference to a residential installation. This monitor generates, uses, and can radiate radio frequency energy. Harmful interference to radio communication may be led as a result if it's not properly installed and used. However, there is no guarantee that interference will not occur in a particular installation. If this monitor does cause serious interference to radio or television reception, resetting the monitor may determine it. Moreover, users are encouraged to correct interference by doing one or more of the following:

- Reorient or relocate the receiving antenna.
- Move the monitor and the receiver further away from each other.
- Connect the monitor into an outlet on a circuit different from that to which the receiver is connected.
- Consult your local dealer or an qualified technician.

FCC Warning:

To assure a continued FCC compliance, a user must use a grounded power supply cord and the provided shielded video interface cable with bonded ferrite cores. Also, any unauthorized changes or modifications to this monitor would void the user's authority to operate this device.

Note: If necessary, shielded interface cables and AC power cord must be used to meet the emission level limits.

Content

Safety Precautions.....	1
First Setup	2
Installing the LCD Monitor.....	2
Quick Installation	3
Front View of the Product	4
Rear View of the Product.....	5
Using On Screen Display (OSD) Functions	6
Supporting Timing Modes	6
Technical Information	10
Care and Maintenance.....	11
Troubleshooting	11

Safety Precautions

This monitor is manufactured and tested on a ground principle that a user's safety comes first. However, improper use or installation may result danger to the monitor as well as to the user. Carefully go over the following WARNINGS before installation and keep this guide handy.

WARNINGS:

- ◆ This monitor should be operated only at the correct power sources indicated on the label on the rear end of the monitor. If you're unsure of the power supply in your residence, consult your local dealer or power company.
- ◆ Do not try to repair the monitor yourself as it contains no user-serviceable parts. The monitor should only be repaired by a qualified technician.
- ◆ Do not remove the monitor cabinet. There is high-voltage parts inside that may cause electric shock to human bodies, even when the power cord is disconnected .
- ◆ Stop using the monitor if the cabinet is damaged. Have it checked by a service technician.
- ◆ Put your monitor only in a clean, dry environment. Unplug the monitor immediately if gets wet and consult your service technician.
- ◆ Always unplug the monitor before cleaning it. Clean the cabinet with a clean, dry cloth. Apply non-ammonia based cleaner onto the cloth, not directly onto the glass screen.
- ◆ Keep the monitor away from magnetic objects, motors, TV sets, and transformer.
- ◆ Do not place heavy objects on the cable or power cord.
- ◆ For PLUGGABLE EQUIPMENT, the Socket-outlet shall be installed near the equipment and shall be easily accessible.
- ◆ For displays with glossy bezels the user should consider the placement of the displays as the bezel may cause disturbing reflections from surrounding light and bright surfaces.
- ◆ Due to safety concerns, if the VESA mounting kit is purchased separately, please make sure the mounting kit is UL-Listed, and replaceable only by service personnel.



According to WEEE regulation, this monitor can't be handled as normal trash in Europe when it is out of usage. Please refer to the recycle information from our website to handle it.

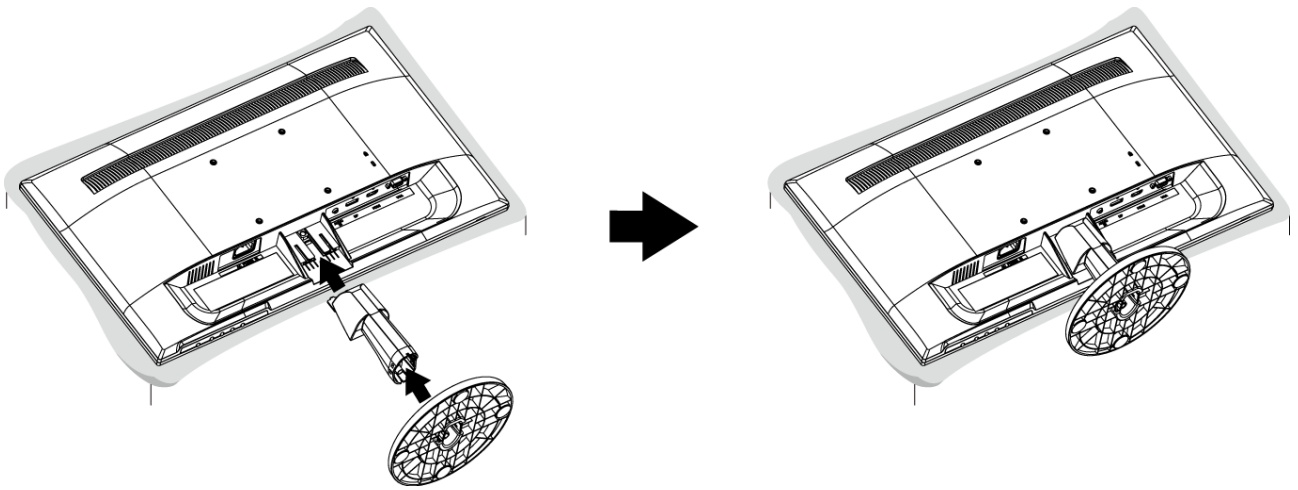
First Setup

Congratulation for purchasing this monitor of high performance!
This monitor comes with the following accessories :

- AC Power Cord
- VGA cable (15 pin)
- DisplayPort cable (20 pin)
- Audio cable
- User's guide

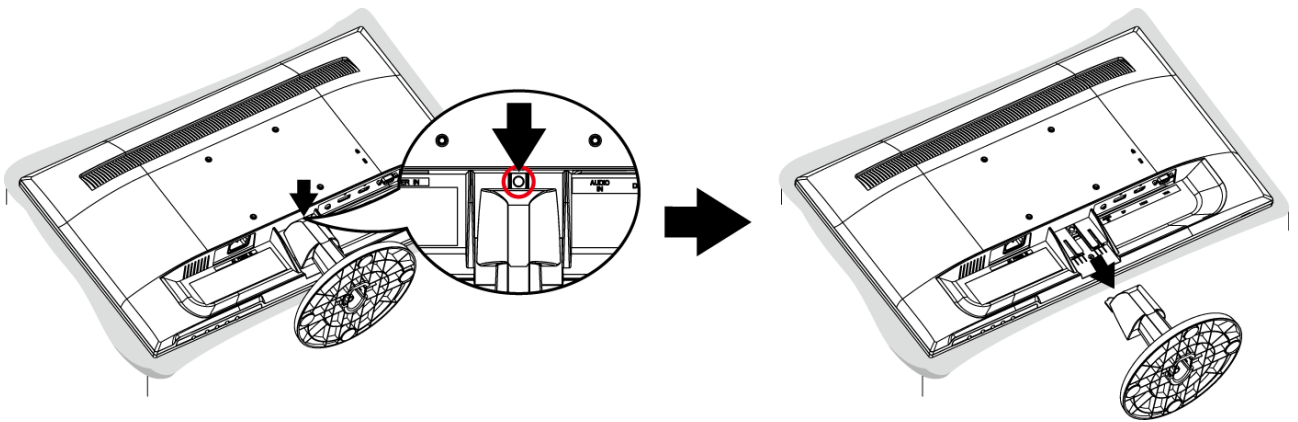
Installing the LCD Monitor

Installing the Stand Base



1. Place the monitor face down on a soft cloth or cushion on a table.
2. Install the stand base to the monitor.

Disconnecting the Stand Base



1. Place the monitor face down on a soft cloth or cushion on a table.
2. Press the tenons inwardly and pull the stand base to remove.

Quick Installation

1. Connect Video cable

Make sure both monitor and computer are powered OFF. Connect the video cable (VGA cable) to the computer, then to the monitor.

or connect DisplayPort cable

Connect the DisplayPort cable from DisplayPort output of computer to the DisplayPort input of the monitor.

or connect HDMI cable *Optional

Connect the HDMI cable from HDMI output of computer to the HDMI input of the monitor.

2. Connect Power cord

Connect the power cord to the monitor power input connector first, and then connect the power cord to a properly grounded AC outlet. Suggest that you use a power strip with a surge suppressor.

3. Connect Audio cable

Connect the Audio cable from Audio output of computer to the Audio input of the monitor.

4. Power-ON computer and monitor

Power-ON the computer, then Power-ON the monitor.

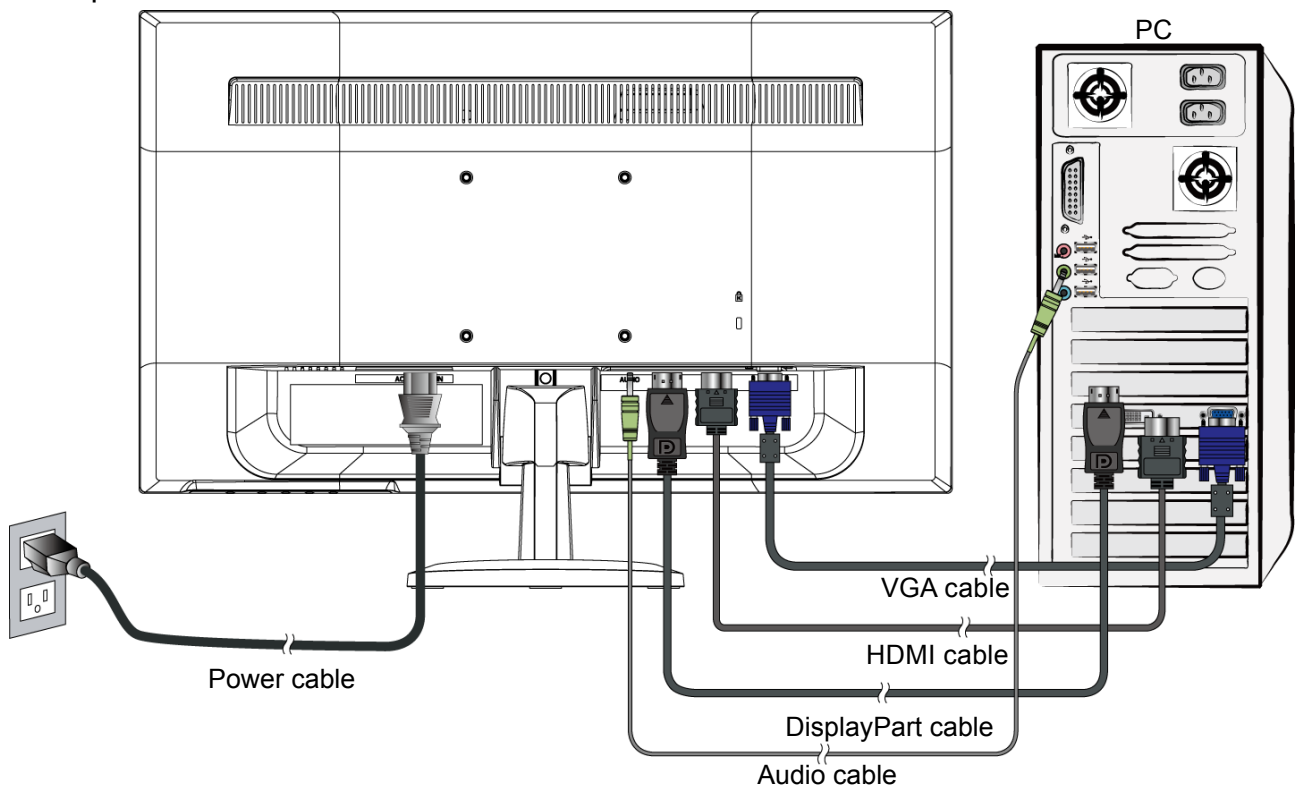
5. Windows users: Setting the Timing Mode (Resolution and Refresh Rate)

Example: 1920 x 1080 @ 60 Hz

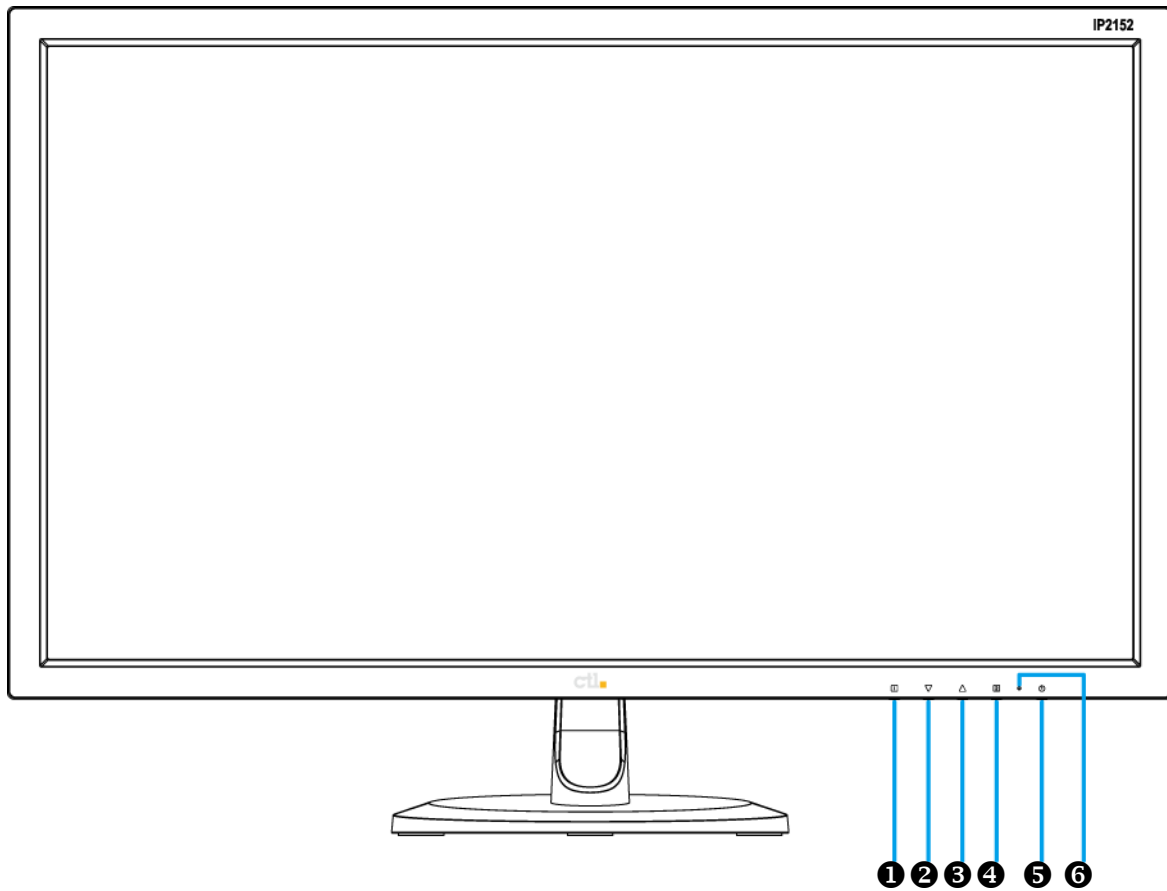
Resolution Right-click on the Windows desktop > Properties > Settings > “Desktop Area”. Set the resolution.

Refresh Rate (vertical frequency) See your graphic card’s user guide for instructions.

Example:

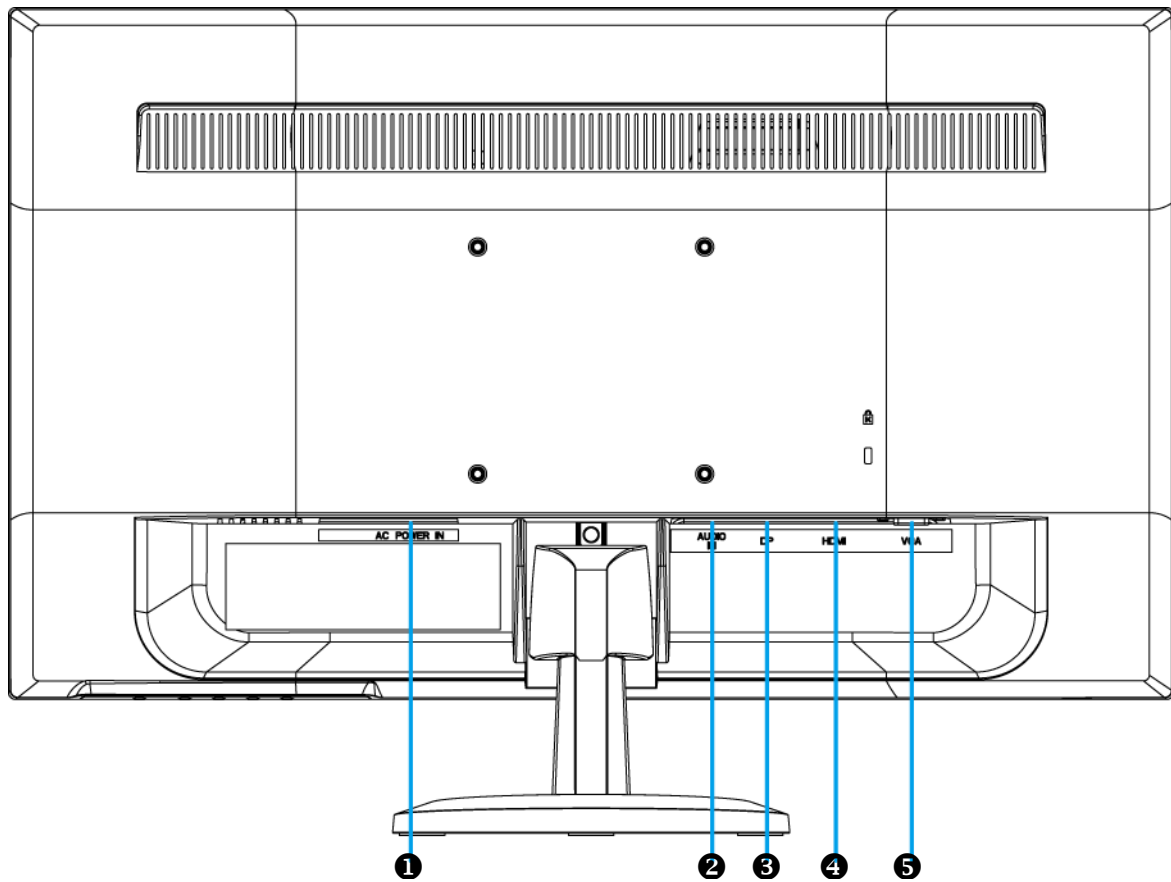


Front View of the Product



①	OSD Menu On/Off
②	Scroll Down/ Decrease
③	Scroll Up/ Increase
④	Confirm Select
⑤	Power ON/OFF
⑥	LED Indicator

Rear View of the Product

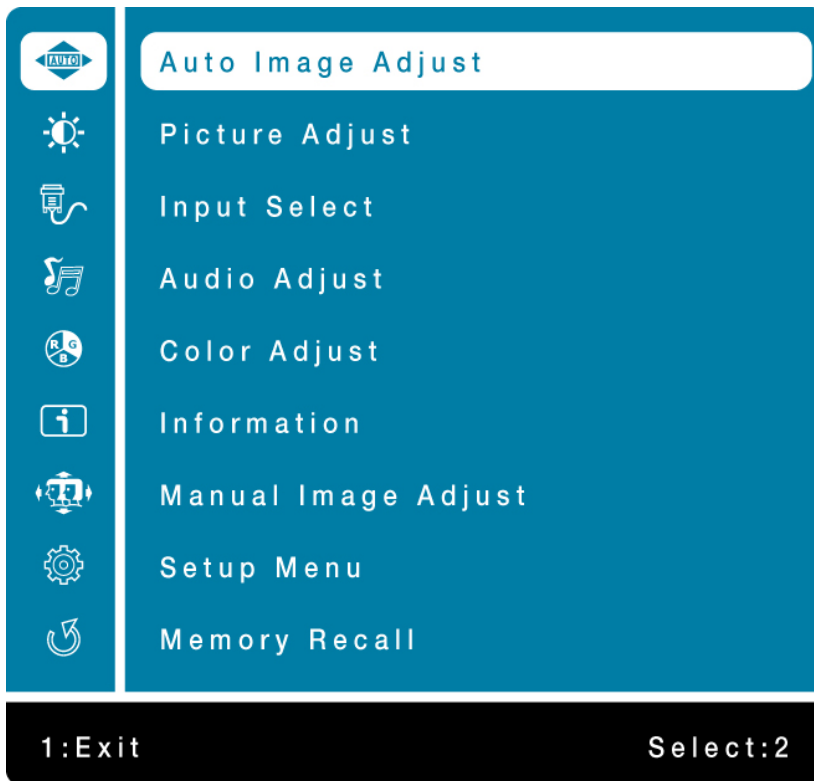


①	Power input (AC input)
②	Audio input
③	DisplayPort input (DisplayPort 20 pin)
④	HDMI/MHL input (HDMI 19 pin)
⑤	VGA input (D-Sub 15 pin)

Using On Screen Display (OSD) Functions

1	Display main menu
	Exit from OSD menu
2	Manual adjust mode select for VGA, HDMI, DisplayPort, Auto mode
▼	Select the desired item when in OSD menu
	When not in OSD menu, directly enters Audio Adjust menu, press 3 seconds enters Auto Image Adjust
▲	Select the desired item when in OSD menu
	When not in OSD menu, directly enters Picture Mode
▼+▲	Recall both of Contrast and Brightness (when not in OSD menu)
1 + ▼	Power Lock (when not in OSD menu)
1 + ▲	OSD Lock (when not in OSD menu)

Main Menu



Short Cuts Function from the button(s)



Auto Image Adjust: To auto adjust Horizontal Position, Vertical Position, Phase (Fine Tune) and Clock (H. Size) of the screen.



Picture Adjust: To manually adjust the Contrast, Brightness, Adv.Contrast, ECO Mode and Over Drive of screen image.

Contrast: To adjust the foreground white level of screen image.

▲: increase contrast, ▼: decrease contrast.

Brightness: To adjust the luminance of the video.

▲: increase brightness, ▼: decrease brightness.

Adv.Contrast: Turn on/off DCR mode. If DCR mode is ON, max value of Dynamic Brightness will be restricted.

ECO Mode: Allows the user to change the ECO mode. Contrast and Brightness adjustment will be disabled when ECO is active.

Over Drive: Allows the user to change the Over Drive strength. Improve the quality of the motion pictures.



Input Select: When press Input Select change Input signal to VGA, HDMI, DisplayPort or Auto.



Audio Adjust: To adjust the audio functions.

Volume: To adjust the volume of speaker output.

Mute: To turn the Mute ON/OFF.

Audio input: When in HDMI input, select where the audio source comes from Line-in or HDMI. When in DisplayPort input, select where the audio source comes from Line-in or DisplayPort.



Color Adjust: To select the color for improving brightness and color saturation between Cool, Normal, Warm, User Color, and Preset Mode.

Cool: Adds blue to screen image for cooler white.

Normal: Adds red to screen image for warmer white and richer red.

Warm: Adds green to screen image for a darker color.

User Color: Individual adjustments for red (R), green (G), blue (B).

1. Press button **2** to select the desired color.

2. Press ▲ or ▼ button to adjust selected color.

Preset Mode: Provides an optimum display environment depending on the contents displayed. It contains 4 user-selectable presets.

- **Standard** is for general windows environment and monitor default setting.
- **Game** optimized for PC game environment.
- **Cinema** optimized for movie and video environment.
- **Scenery** optimized for displaying outdoor scenery images.
- **Text** optimized for text editing and viewing in a word processing environment.



Information: To display the information, regarding the current input signal coming from the graphic card in your computer.

Note: See your graphic card user guide for more information about changing the resolution and refresh rate.



Manual Image Adjust: To manually adjust the H. / V. Position, Clock, Phase, Sharpness and Video Mode Adjust.

H. / V. Position: To adjust the horizontal and vertical position of the video.

H. Position: ▲: move screen to the right, ▼: move screen to the left.

V. Position: ▲: move screen up, ▼: move screen down.

Clock: To adjust the width of the screen image.

▲: increase the width of screen image, ▼: decrease the width of screen image.

Phase: To adjust the delay time of data and clock.

Press ▲ or ▼ to adjust to your preference.

Sharpness: To adjust the clarity of a non-Full HD Resolution (1920x1080) signal with ▲ or ▼ button.

Video Mode Adjust: To select the video mode from Aspect ratio 4:3 or Full Screen.

Aspect ratio 4:3: To select 4:3 image size.

Full Screen: To select full-screen size image.



Setup Menu: To set up Language select, OSD Position, OSD time out and OSD background.

Language Select: To allow users to choose from available languages.

OSD Position: Press ▲ or ▼ button to select between horizontal and vertical OSD Position adjustment.

OSD H. Position: To horizontally adjust the OSD position.

▲: move OSD to the right, ▼: move OSD to the left.

OSD V. Position: To vertically adjust the OSD position.

▲: move OSD up, ▼: move OSD down.

OSD Time Out: To automatically turn off On Screen Display (OSD) after a preset period of time.

OSD Background: Allows the user to turn the OSD background On or Off.

Power Indicator: Allows the user to turn the LED Indicator On or Off.



Memory Recall: To recall factory settings for Video & Audio controls. Press button **2** to select the Memory Recall menu option.

Supporting Timing Modes

VGA	720 x 400 @ 70Hz
VGA	640 x 480 @ 60Hz
MAC	640 x 480 @ 67Hz
VESA	640 x 480 @ 72Hz
VESA	640 x 480 @ 75Hz
VESA	800 x 600 @ 56Hz
VESA	800 x 600 @ 60Hz
VESA	800 x 600 @ 72Hz
VESA	800 x 600 @ 75Hz
MAC	832 x 624 @ 75Hz
VESA	1024 x 768 @ 60Hz
VESA	1024 x 768 @ 70Hz
VESA	1024 x 768 @ 75Hz
VESA	1280 x 960 @ 60Hz
VESA	1152 x 864 @ 75Hz
MAC	1152 x 870 @ 75Hz
VESA	1280 x 1024 @ 60Hz
VESA	1280 x 1024 @ 75Hz
VESA	1440 x 900 @ 60Hz
VESA	1440 x 900 @ 75Hz
CVT	1400 x 1050 @ 60Hz
VESA	1600 x 1200 @ 60Hz
VESA	1680 x 1050 @ 60Hz
VESA	1920 x 1080 @ 60Hz

*ONLY SUPPORT HDMI / DisplayPort SOURCE

480i
480p
576i
576p
720p
1080i
1080p

Warning: Do not set the graphic card in your computer to exceed these maximum refresh rates. Doing so may result in permanent damage to your monitor.

Note: Simultaneously press **1** and **2** keys on monitor panel to switch between similar PC timings.

Similar PC Timing on list below:

- 640 x 350 @ 70Hz / 640 x 400 @ 70Hz / 720 x 400 @ 70Hz
- 1600 x 900R @ 60Hz / 1280 x 960 @ 60Hz

Technical Information

Technical Specification

LCD Panel	54.6 cm (21.5") TFT (with LED back light)
Power Management	Energy Star VESA DPMS compatible Off Mode, < 0.5 W
Displayable Resolution	Full HD 1920 x 1080 max. Vertical Frequency 60Hz max.
Pixel Dimension	0.24825 x 0.24825 mm
LCD Display Color	16.7M
Tilt	0°~20° (±2°)
Active Display Area	476.64 mm x 268.11 mm
Temperature	Operating: 0°C ~ + 40°C Storage: -20°C ~ + 60°C
Compliance	CE, Energy Star, FCC, UL/cUL
Power	Input Voltage AC100-240 V
Speaker	1W x 2

Care and Maintenance

Care

- Avoid exposing your monitor directly to sunlight or other heat source. Place your monitor away from the sun to reduce glare.
- Put your monitor in a well ventilated area.
- Do not place any heavy things on top of your monitor.
- Make certain your monitor is installed in a clean and moisture-free area.
- Keep your monitor away from magnets, motors, transformers, speakers, and TV sets.

Note

- Move the monitor out of the package and take off the plastic bag and Polystyrene Foam.
- Pull the base from Parallel versus Panel to Vertical.
- Adjust the Panel within $0(\pm 2)$ degree leaning forward and $20(\pm 2)$ degree leaning backward.

Safety Tips

- If smoke, abnormal noise or odor came out from your monitor, caution you should remove the power cord immediately and call your service center.
- Never remove the rear cover of your monitor cabinet. The display unit inside contains high-voltage parts and may cause electric shock to human bodies.
- Never try to repair your monitor yourself. Always call your service center or a qualified technician to fix it.

Troubleshooting

No power

- Make sure AC power cord is securely connected to the power adapter and the power supply is firmly connected to the monitor.
- Plug another electrical device into the power outlet to verify that the outlet is supplying proper voltage.
- Make sure all signal cables are installed.

Power on but no screen image

- Make sure the video cable supplied with the monitor is tightly secured to the video output port on back of the computer. If not, tightly secure it.
- Adjust brightness.

Wrong or abnormal colors

- If any colors (red, green, blue) are missing, check the video cable to make sure it is securely connected. Loose or broken pins in the cable connector could cause an improper connection.
- Connect the monitor to another computer.



A U.S. company. Beaverton, Oregon, USA



2001132455T