

# MWS6-PRM-2CH, MWS6-PRM-2CH-NC

## Ceiling Microwave presence/absence detector 2 channel

### Overview



The MWS6-PRM-2CH Microwave presence detector provides automatic control of lighting loads with optional manual control. It detects movement using a highly sensitive microwave detector. This works by emitting low power microwave signals and measuring the reflections as the signals bounce off moving objects.

The detector provides two independently controlled output channels that can be used for a variety of applications.

- Occupancy of two independent lighting circuits using a single detector, e.g. for essential and non-essential supplies.
- Occupancy and lux control of one lighting circuit and just occupancy control of a second circuit, e.g. where a row of luminaries by a window is lux controlled whilst inner rows are switched on occupancy only .
- Occupancy and lux control of a lighting circuit and just occupancy control of a ventilation circuit .
- Occupancy on both lighting circuits, with separate lux control on each circuit.

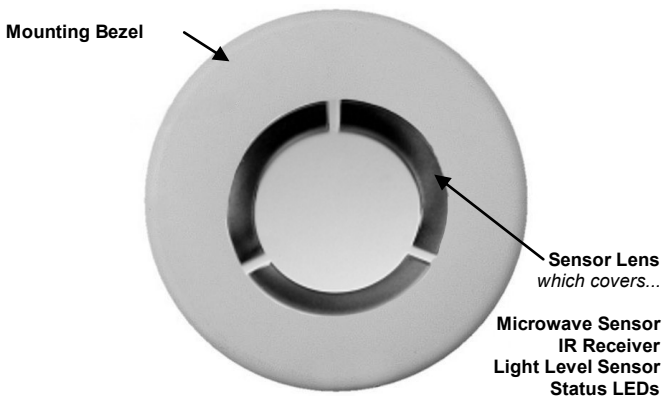
All functionality is fully programmable using an IR handset.

**MWS6-PRM-2CH** Ceiling Microwave presence/absence detector 2 channel

**MWS6-PRM-2CH-NC** Ceiling Microwave presence/absence detector 2 channel normally closed

### Features

#### Front features



#### Microwave Sensor

Detects movement within the unit's detection range, allowing load control in response to changes in occupancy.

#### IR Receiver



Receives control and programming commands from an IR (infrared) handset.

#### Light Level Sensor

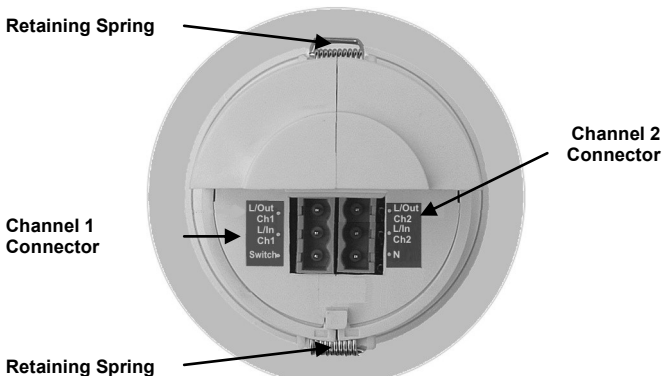
Measures the overall light level in the detection area

#### Status LEDs

The LED flashes Red to indicate the following:

<b>Walk Test LED active</b>	 when movement is detected
<b>Valid setting received</b>	

#### Back features



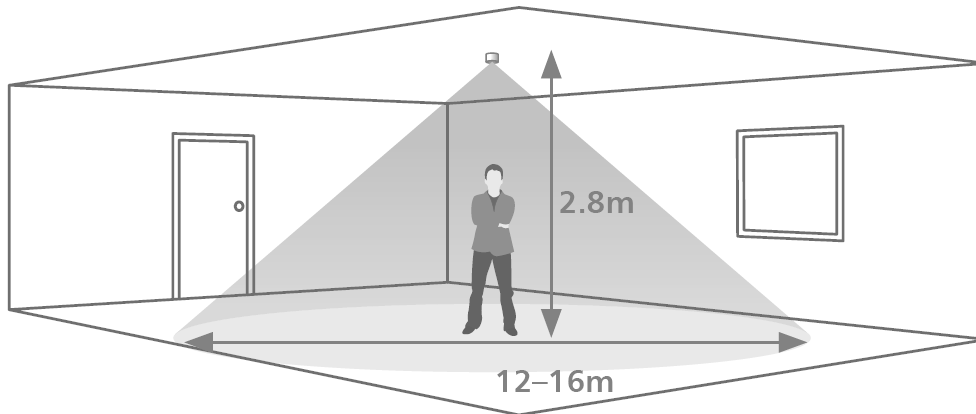
#### Channel 1 Connector

Live input and output for Channel 1. Switch input connection that can be used to manually override the lights on or off.

#### Channel 2 Connector

Live input and output for Channel 2. Common Neutral connection.

## Detection diagram



Area of high sensitivity  Area of lower sensitivity

*Note. If the range is compromised by the ceiling construction / material. Add the supplied 20mm spacer ring. See page 4 for fitting details.*

## Sensor functionality

### Detection Mode

The Detection Mode can be set to behave in Presence or Absence mode:

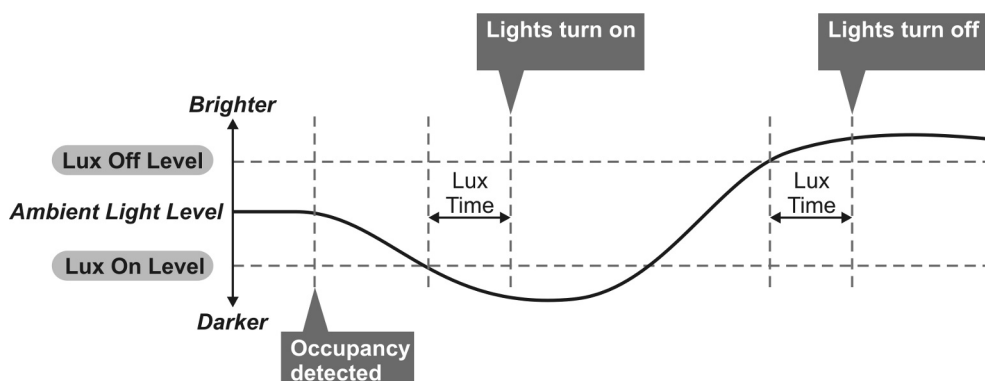
- **Presence** When movement is detected the load will automatically turn on. When the area is no longer occupied the load will automatically switch off after an adjustable time period.
- **Absence** The load is manually switched on. When the area is no longer occupied the load will automatically switch off after the adjustable time period has elapsed.

In either case, sensitivity to movement of the Microwave sensor can be adjusted using the Sensitivity parameter.

*HINT: To assist in setting the Sensitivity, turn on the Walk Test LED which will flash red when movement is detected.*

### Switch Level On/Off

- Occupancy detection can be made dependant on the ambient light level using the Lux On Level and Lux Off Level parameters.
- The level can be set independently for each channel (UNLCDHS only). For example Channel 1 turns on with occupancy whereas Channel 2 is held off by Lux.



### Normally closed option

The MWS6-PRM-2CH-NC provides a normally closed contact for fail safe operation. If the unit fails, the outputs will default to on.

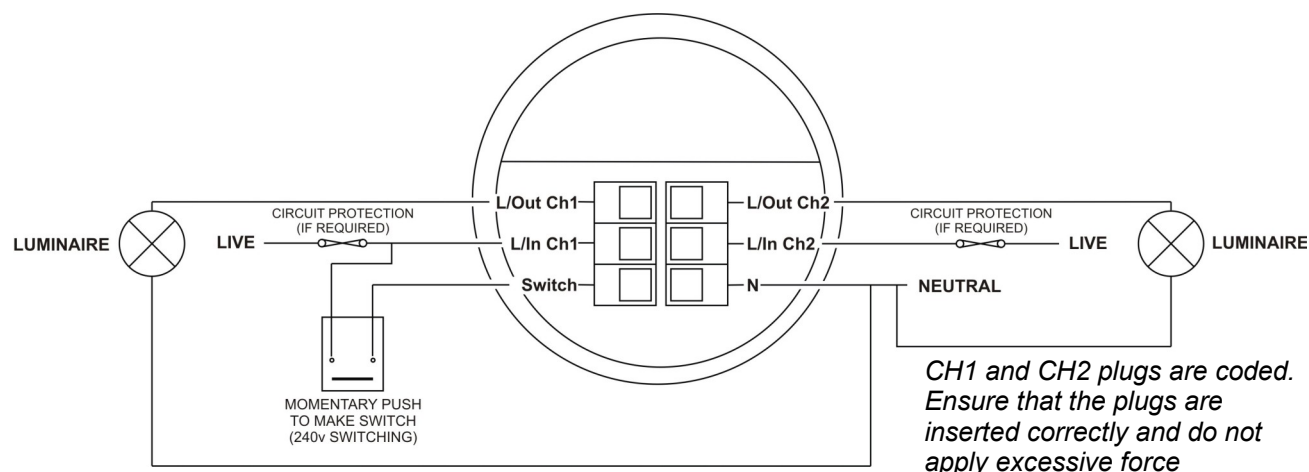
## Choosing a Suitable Location

The detector should be sited so that the occupants of the room fall inside the detection pattern shown opposite).

- Avoid positioning the unit where direct sunlight may enter the sensor element.
- Do not site the sensor within 1m of any lighting, forced air heating or ventilation.
- Do not fix the sensor to an unstable or vibrating surface.
- Avoid metallic objects directly in front of the sensor head.

*Note* 1. When controlling two circuits, the circuits must be on the same phase.  
2. L/In Ch1 is used to supply the detector with power.

## Wiring Diagram



## Absence detection

- To use absence detection a retractive (momentary) switch must be connected between the 2 terminals on the diagrams. Note that this will be switching mains voltage.
- The unit ships with presence detection as default. To change to absence detection, press and release the external switch 5 times within the first minute of power up. The LED will turn on solid for 30 seconds to indicate absence mode has been selected.
- To change back to presence detection, repeat the above procedure—the LED will flash for 30 seconds to indicate presence mode has been selected.

**Note:** the above adjustments can also be made using the UHS5 or UNLCDHS handsets. See Programming sections.

## Power-up test procedure

When power is applied to the unit, the load will turn on immediately.

Set the timeout to 10 seconds, vacate the room or remain very still and wait for the load to switch off .

Check that the load switches on when movement is detected.

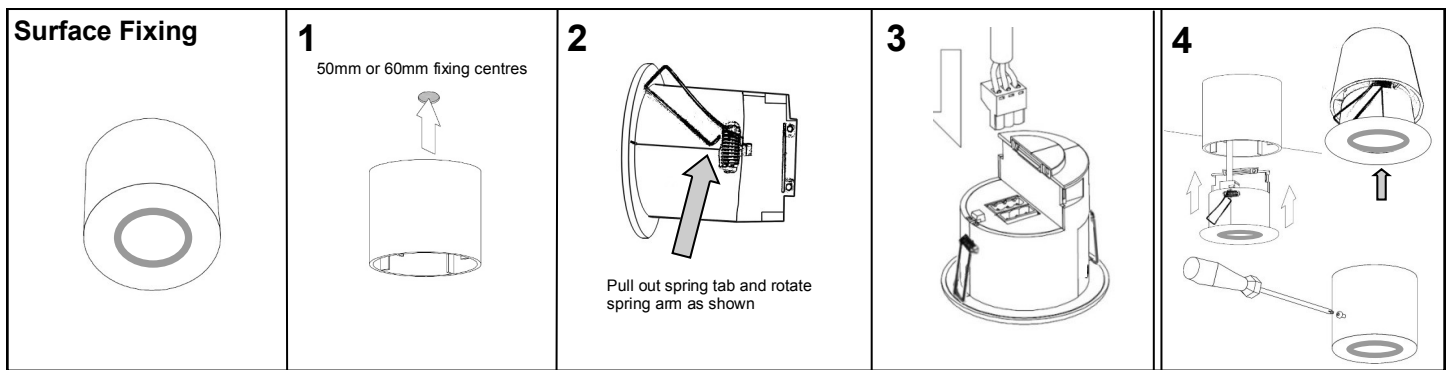
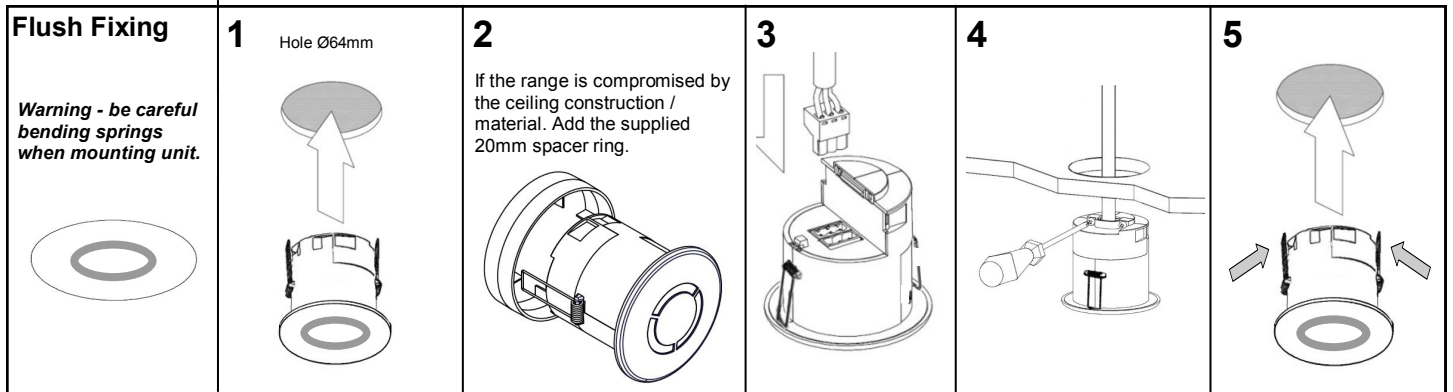
The unit is now ready for programming.

# Installation

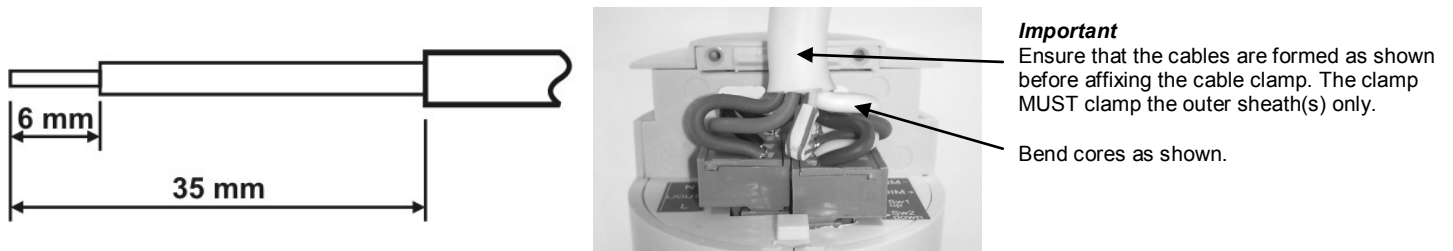
The MWS6-PRM-2CH is designed to be mounted using either:

- Flush fixing, or
- Surface fixing, using the optional Surface Mounting Box (part no. DBB).

Both methods are illustrated below.



## Wire stripping details



## Readback function (UNLCDHS handset only)

The UNLCDHS has the ability to read back the settings stored in a device.

### To read back individual parameters

- Navigate to the parameter and press the 'R' (Read) button whilst pointing at the device. The handset will click when the parameter has been read back, the device will flash its LED, and the value will be shown against the parameter in the menu.

### To read back all of the parameters in a menu

- Press and hold the 'R' (Read) button for more than 1 second.
- The handset will click every time a parameter is received
- The device will show multiple flashes of its LED
- All of the values will be shown against the parameters in the menu.
- The individual parameters may be edited and then saved as a 'Macro'.

### Notes

- If a parameter(s) has been missed because of a communication error, the missing value(s) is replaced by dashes.
- When reading back, the relay will temporarily be switched off, and will return to its normal state 2 seconds after the read back has been completed.



The functionality of the MWS6-PRM-2CH is controlled by a number of parameters which can be changed or programmed by any of the following devices:

- **UHS5** Infrared Handset. See below for programmable functions.
- **UNLCDHS** Infrared Handset (with LCD). See user guide for full programming details.

For most basic programming operations the UHS5 handset can be used and the following procedures are based on using this device.

Point the handset at the Sensor and send the required programming commands to the unit as shown below.

Valid commands will be indicated by a red LED flash. See page 1 for details of other LED responses.

- Note*
1. Other functions on the UHS5 which are not shown below are not applicable to this product.
  2. Parameters marked with an asterisk will applied be to **both** channels. If separate settings are required use the UNLCDHS.

Parameter Name	Default Value	Number of Shift key presses				UHS5 Handset Graphics	Description
		0 SHIFT 1 SHIFT 2	1 SHIFT 1 SHIFT 2	2 SHIFT 1 SHIFT 2	3 SHIFT 1 SHIFT 2		
<b>Button Activation</b>							
On		On					Turn lights on.
Off		Off					Turn lights off.
Walk test	Off	On	Off				When set to On this causes a red LED to flash on the sensor when it detects movement. Use this feature to check for adequate sensitivity levels.
Time Out (Time adjustment)	20 mins	1, 10 & 20 minutes	5, 15 & 30 minutes	10 seconds			Once the detector is turned on, this value sets how long the lights will stay on once movement has ceased.
Lux on level * (Switch level on)	9	2, 5 & 7	4, 6 & 9				Lux level setting to prevent the luminaires being switched on if the ambient light level is sufficient (adjustable between 1 and 9). The luminaires will always be switched on at level 9.
Lux off level * (Switch level off)	9	2, 5 & 7	4, 6 & 9				Lux level setting to switch the luminaires off during occupancy if the ambient light level goes above the setting (adjustable between 1 and 9). Level 9 will always keep the lights on. This setting can be used for "window row switching". <i>Note: the Lux Off Level value must always be greater than the Lux On Level value.</i>
Sensitivity	9	1, 5 & 9	3, 6 & 8				Sensitivity level for detecting movement. 1 = low sensitivity 9 = high sensitivity
Defaults				D			Returns the unit to the default settings.
Presence / Absence *	Presence	Presence	Absence				Presence mode allows the output to turn on when movement is detected and off when movement ceases. Absence mode allows the output to turn off when movement ceases, but must be manually turned on first.
Shift							Use this button to select the settings in red and blue signified by the 'Shift 1' and 'Shift 2' LEDs

## Fault finding

### What if the load does not turn ON?

- Check that the live supply to the circuit is good.
- Check that the load is functioning by bypassing the sensor (e.g. link terminals **L** and **L/ Out** on Channel1).
- If the detection range is smaller than expected, check the diagram on page 2. Rotating the sensor slightly may improve the detection range. If still reduced it may be compromised by the ceiling construction / material. Add the supplied 20mm spacer ring. See page 4 for fitting details.

*HINT: The Walk Test LED function can be used to check that the unit is detecting movement in the required area.*

### What if the load does not turn OFF?

- Ensure that the area is left unoccupied for longer than the Time Out Period.
- Make sure that the sensor is not adjacent to vibrating surfaces or objects (e.g. ventilation equipment).
- The unit may pick up movement through glass, thin partitions or walls. Reduce the sensitivity.

# Advanced programming

Parameter Name	Default Value	Range / Options	Description	UHS5	UNLCDHS
<b>Detector Parameters</b>					
Walk Test LED	Off	On or Off	When set to On this causes a red LED to flash on the sensor when it detects movement. Use this feature to check for adequate sensitivity levels.	✓	✓
Time Out (Time adjustment)	20 minutes	0-99 minutes	Once the detector is turned on, this value sets how long the lights will stay on once movement has ceased. Select 0 for 10 second delay – use for commissioning only.	✓	✓
Manual Time Out	10 minutes	0-99 minutes	When a manual operation occurs, either via the switch input or the infrared, it invokes the timeout period. Example 1: a detector in presence mode has a detector timeout of 15 minutes and a manual timeout of 3 minutes. When the user leaves the room they press the off button. The sensor will revert to automatic after 3 minutes, and then walking back in the room will turn the lights on. Example 2: using the settings above, the user turns the lights off (say for a presentation) but stays in the room. Every time a movement is detected, the manual timeout period is re-triggered, but when it doesn't pick up for the short timeout period, the sensor will timeout and revert to automatic. This means the lights may turn on inadvertently during the presentation, if the occupants are still for the manual timeout period, so adjust the timing carefully.	✗	✓
Sensitivity On	9	1 (min) to 9 (max)	Sensitivity level for detecting movement when the detector is already on. <b>*UHS5 sets Sensitivity On and Off to the same value.</b>	✓*	✓
Sensitivity Off	9	1 (min) to 9 (max)	Sensitivity level for detecting movement when the detector is off. <b>*UHS5 sets Sensitivity On and Off to the same value.</b>	✓*	✓
Lux time	0	0 (disabled) 1-99 minutes	If the detector measures the lux level and decides that the output needs switching on or off as a consequence, the lux time must elapse first. If at any time during the timed delay the lux change reverses then the process is cancelled. Lux Time enables absence detection to be implemented with a lux off level set. When the button is pressed, the lights will go on, regardless of ambient light level. However, if there is sufficient ambient light, they will turn off again after the Lux Time. <i>Note that whenever the an external switch is pressed, whether in absence or presence mode, if the lights were out because of the lux level, they will be immediately turned on again for at least the Lux Time.</i>	✗	✓
Power Up State	On	On or Off	Select No for a 30 second delay on start up. If Yes is selected, there will be no delay on start up and the detector will always power up detecting.	✗	✓
On Delay	0 minutes	0-99 minutes	The On Delay to allows the first channel to switch on after the second channel. A typical application for this would be where a detector is controlling lighting and air conditioning in an area. When the occupant is detected, the lighting will be turned on immediately, whereas the air conditioning may be turned on after 15 minutes. If the area is vacated and the detector times out before the delay, then the air conditioning would never go on. The delay can be set only for channel 1 using the on delay parameter.	✗	✓
Inhibit	4 seconds	1 to 999 seconds	When the detector turns off, a delay is instigated to prevent retriggering. In certain circumstances this delay may not be enough. This parameter allows the delay to be changed.	✗	✓
Factory default	-	-	Restores factory default settings	✓	✓

<b>Switching functions</b>					
<b>To set Channel 1 functions - go to “Ch1(sw) Set “ menu on the handset</b>					
<b>To set Channel 2 functions - go to “Ch2(dim) Set “ menu on the handset</b>					
Detection Mode	Presence	Presence or Absence	Presence mode allows the output to turn on when movement is detected and off when movement ceases. Absence mode allows the output to turn off when movement ceases, but must be manually turned on first.	✓	✓
Lux on level (Switch level on)	9	1 to 9 For a higher resolution a scale of 101-199 is available	Sets a minimum light level below which the Microwave sensor is enabled, allowing lights to be turned on by movement. <i>Note: the Lux Level Off value must always be greater than the Lux Level On value.</i>	✓	✓
Lux off level (Switch level off)	9	1 to 9 For a higher resolution a scale of 101-199 is available	Sets a maximum light level above which the Microwave sensor is disabled, preventing lights from being turned on by movement.	✓	✓

<b>User Modes</b>					
Override On	-	-	If the lights are off, sending the IR command will turn them on immediately and revert to automatic operation using the manual timeout period .	✓	✓
Override Off	-	-	If the lights are on, sending the IR command will turn them off immediately. After the manual timeout period (described above), the sensor will revert to automatic.	✓	✓
Cancel	-	-	Cancels the on or off override, returning the detector to normal operation.	✗	✓

# Advanced programming

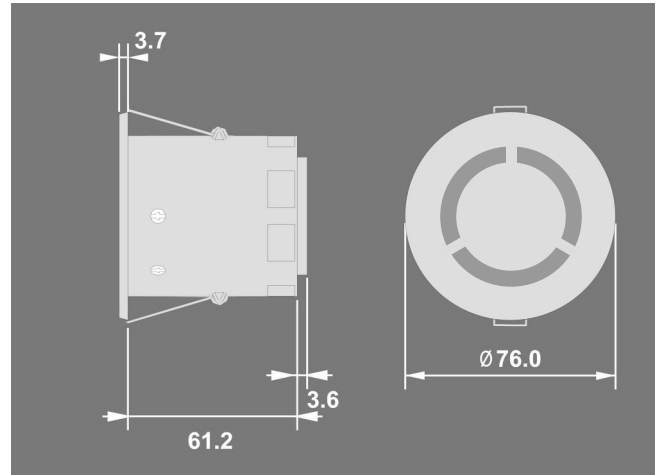
<b>Switch Input Modes</b>					
1 position switch together	Default	Short press on Long press off	A single position retractive switch controls both channels together.	x	✓
1 position switch separate	-	Short press on Long press off	Two single position retractive switches, controlling the channels separately. <b><i>This option can only be used in conjunction with a VITM4-2CH Vitesse Modular marshalling box.</i></b>	x	✓
2 position switch together	-	Short press on Short press off	A single position retractive switch controls both channels together.	x	✓
2 position switch separate	-	Short press on Short press off	Two single position retractive switches, controlling the channels separately. <b><i>This option can only be used in conjunction with a VITM4-2CH Vitesse Modular marshalling box.</i></b>	x	✓

## Technical data

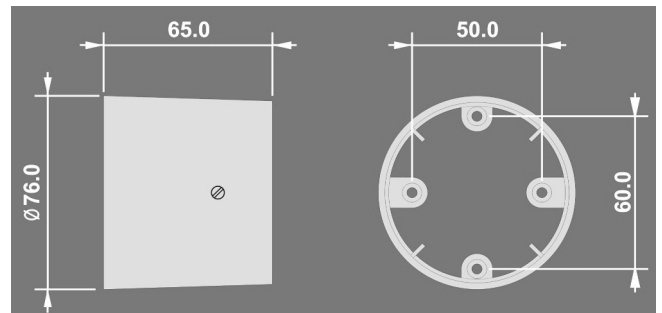
Dimensions	See diagrams opposite
Weight	0.15kg
Supply Voltage	230VAC +/- 10%
	<b>Both circuits must on the same phase.</b>
Frequency	50Hz
Maximum Load	6A of lighting and or ventilation per channel including incandescent, fluorescent, compact fluorescent, low voltage (switch primary of transformer).
Power consumption	MWS6-PRM-2CH On 1.5W, Off 675mW MWS6-PRM-2CH-NC On 1.6W, Off 710mW
Terminal Capacity	2.5mm <sup>2</sup>
Temperature	-10°C to 35°C
Humidity	5 to 95% non-condensing
Material (casing)	Flame retardant ABS and PC/ABS
Type	Class 2
Microwave frequency	5.8 GHz
Safety	The microwave radiation emitted by these units is extremely low power and complies with ANSI standard "IEEE C95.1-1999 Standard for Safety Levels with Respect to Human Exposure to Radio Frequency Electromagnetic Fields 3kHz 300GHz."
IP rating	IP40
Compliance	EMC-2004/108/EC LVD-2006/95/EC



MWS6-PRM-2CH



DBB



## Part numbers

	Part number	Description
<b>Detector</b>	MWS6-PRM-2CH	Ceiling Microwave presence/absence detector 2 channel
	MWS6-PRM-2CH-NC	Ceiling Microwave presence/absence Detector 2 channel normally closed
<b>Accessories</b>	DBB	Surface mounting box
	UHS5	Programming IR handset
	UNLCDHS	Universal LCD IR handset

### IMPORTANT NOTICE!

This device should be installed by a qualified electrician in accordance with the latest edition of the IEE Wiring Regulations and any applicable Building Regulations.



**C.P. Electronics Ltd**

Brent Crescent  
London  
NW10 7XR  
United Kingdom  
Tel: +44 (0) 333 900 0671  
Fax: +44 (0) 333 900 0674  
www.cpelectronics.co.uk  
enquiry@cpelectronics.co.uk