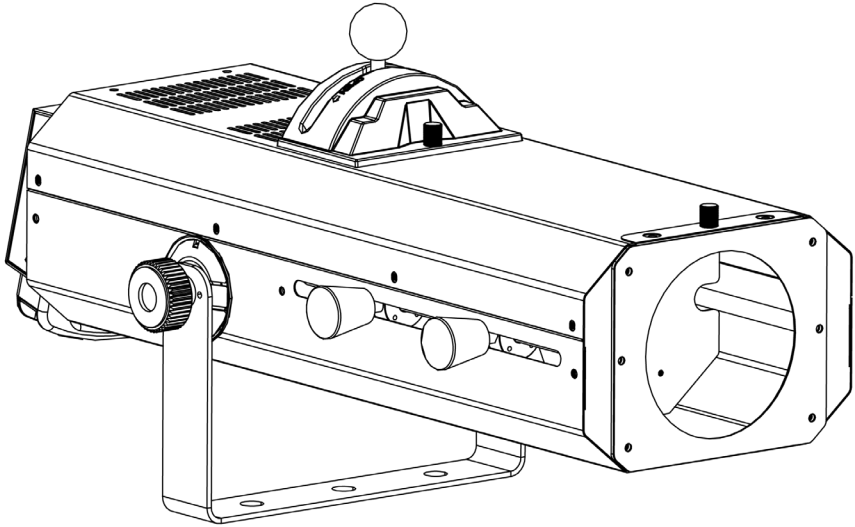


LED FOLLOWSPOT 75

Quick Reference Guide



About this Guide

The LED Followspot 75 Quick Reference Guide (QRG) only contains the product's connection and mounting information as well as the menu options and the DMX values.

Disclaimer

- This Quick Reference Guide DOES NOT replace the product's user manual, which you can download from the CHAUVET® website (www.chauvetlighting.com).
- Read ALL the disclaimers and safety notes in this document as well as those in the product's user manual before installing, operating, or maintaining this product.

Safety Notes

Please read the following notes carefully **before** starting to work with this product. They include important safety information about its installation, usage, and maintenance.



- Always connect this product to a grounded circuit to avoid the risk of electrocution.
- Always disconnect this product from the power source before cleaning it or replacing the fuse.
- Avoid direct eye exposure to the light source while the fixture is on.
- Make sure the power cord is not crimped or damaged.
- Make sure there are no flammable materials close to the unit while operating.
- Do not touch this product's housing when operating because it may be very hot.



- Always make sure that the voltage of the outlet to which you are connecting this product is within the range stated on the decal or rear panel of the fixture.
- This product is for indoor use only! (IP20) To prevent risk of fire or shock, do not expose this fixture to rain or moisture.
- Never connect this product to a dimmer pack.
- Make sure to replace the fuse with another of the same type and rating.
- Never carry this product from the power cord or any moving part. Always use the hanging/mounting bracket or the handles.
- The maximum ambient temperature (Ta) is 104° F (40° C). Do not operate this product at higher temperatures.
- In the event of a serious operating problem, stop using the unit immediately.
- Never try to repair this product. Repairs carried out by unskilled people can lead to damage or malfunction. Please contact the nearest authorized technical assistance center.

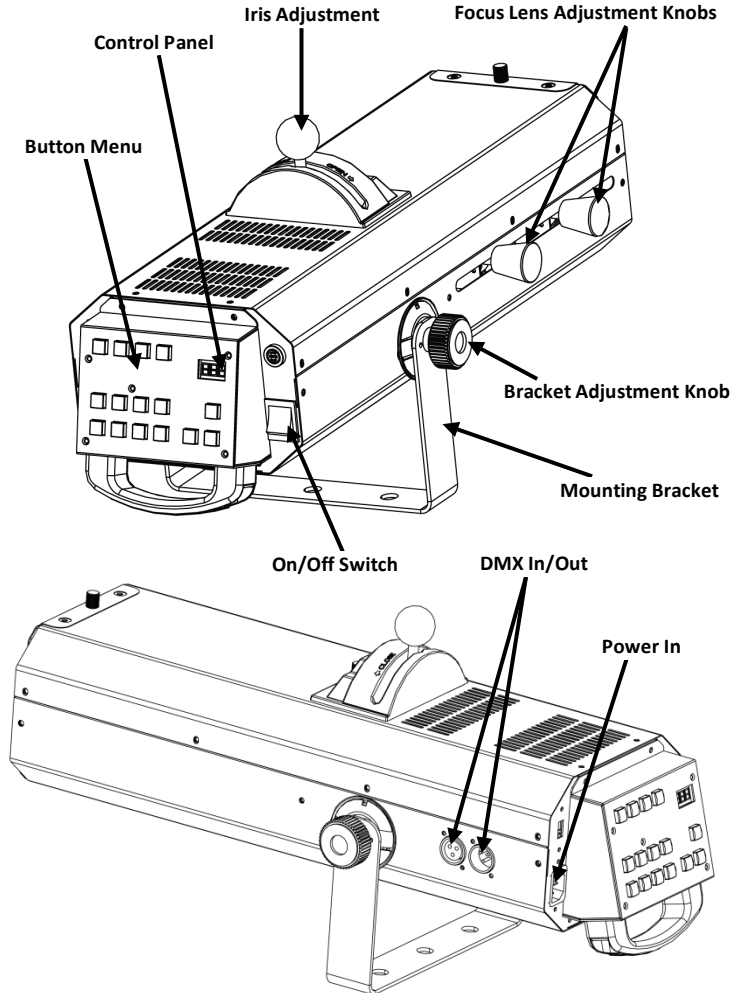
What is Included

- LED Followspot 75
- Power Cord
- Warranty Card
- Quick Reference Guide

Product Description

The LED Followspot 75 is a portable, LED-powered product that offers DMX or manual controls to suit a variety of needs. Super-smooth LED dimming and an extremely fast electronic strobe makes it a fantastic beam for any performance.

Product Overview



AC Power This product has a switchable power supply that can work with an input voltage of 115 VAC or 230 VAC, 50/60 Hz.

Fuse Replacement

1. Disconnect this product from power.
2. Using a Phillips #2 head screwdriver, unscrew the fuse holder cap from the housing.
3. Remove the blown fuse.
4. Replace with a good fuse of the same type and rating.
5. Screw the fuse holder cap back in place and reconnect power.

DMX Linking The LED Followspot 75 can work with a DMX controller when linked using a regular DMX serial connection.

If you are not familiar DMX, download the DMX Primer document from www.chauvetlighting.com.

DMX Connection The LED Followspot 75 uses a regular DMX data connection for its 3-channel DMX personality.

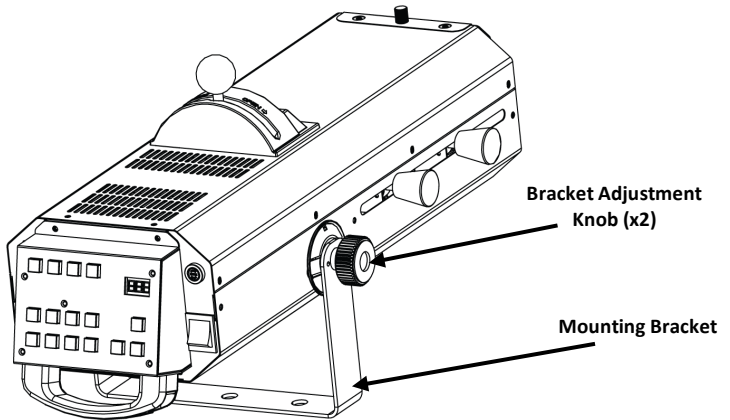
Download the LED Followspot 75 user manual and refer to the *Setup* chapter to learn how to connect this fixture for DMX operation, and the *Operation Instructions* chapter to learn in detail how to configure this fixture for DMX operation.

Master/Slave Connection The LED Followspot 75 uses the DMX data connection for its Master/Slave mode.

Download the LED Followspot 75 user manual and refer to the *Setup* chapter to learn how to connect this fixture for Master/Slave operation, and the *Operation* chapter to learn in detail how to configure this fixture for Master/Slave operation.

Mounting Before mounting this product, read the safety notes at the beginning of this guide and in the product's user manual.

**Product
Mounting
Diagram**



Programming For details on how to program this product, please refer to the product's user manual.

Control Panel Description

Button	Function
<POWER SWITCH>	Turns power on and off
<DIMMER MAX>	Opens dimmer to a maximum of 100% (hold to raise percentage)
<DIMMER MIN>	Closes dimmer to a maximum of 0% (hold to lower percentage)
<SHUTTER ON>	Turns LED on (default setting)
<BLACK OUT>	Turns LED off
<ORANGE>	Projects orange color
<CYAN>	Projects cyan color
<RED>	Projects red color
<GREEN>	Projects green color
<MAGENTA>	Projects magenta color
<YELLOW>	Projects yellow color
<BLUE>	Projects blue color
<WHITE>	Projects white light
<FUNCTION SELECT>	Selects Manual or DMX Mode
<UP>	In DMX Mode, moves channel number up
<DOWN>	In DMX Mode, moves channel number down

Starting Address To ensure full access to all channels in each DMX mode, the highest recommended DMX address is **510**.

Menu Options

Main Level	Programming Levels		Description
Manual Mode	NAn		Selects Manual mode.
DMX Address	001	001~512	Sets the DMX starting address

DMX Values

3-CH	Channel	Function	Value	Percent/Setting
	1	Dimmer	000 ⇔ 255	0~100%
	2	Color	000 ⇔ 031	White
			032 ⇔ 063	Dark Blue
			064 ⇔ 095	Yellow
			096 ⇔ 127	Purple
			128 ⇔ 159	Green
			160 ⇔ 191	Red
			192 ⇔ 223	Light Blue
			224 ⇔ 255	Orange
	3	Strobe	000 ⇔ 255	0~100%

Contact Us

World Headquarters CHAUVET®

General Information

Address: 5200 NW 108th Avenue
Sunrise, FL 33351
Voice: (954) 929-1115
Fax: (954) 929-5560
Toll free: (800) 762-1084

Technical Support

Voice: (954) 929-1115 (Press 4)
Fax: (954) 756-8015
Email: tech@chauvetlighting.com

World Wide Web

www.chauvetlighting.com

United Kingdom and Ireland CHAUVET® Europe Ltd.

General Information

Address: Unit 1C
Brookhill Road Industrial Estate
Pinxton, Nottingham, UK
NG16 6NT
Voice: +44 (0)1773 511115
Fax: +44 (0)1773 511110

Technical Support

Email: uktech@chauvetlighting.com

World Wide Web

www.chauvetlighting.co.uk

Outside the U.S., United Kingdom, or Ireland, contact your distributor. Follow their instructions to request support or to return a product. Visit our website for contact details.

LED Followspot 75 QRG – Rev. 3
© Copyright 2012 CHAUVET®
All rights reserved
Printed in the P. R. C.

