



Arch Screen Door Kit

Installation Instructions

Models:

GABS4S0 (Black), GASS4S0 (Pewter)
GAHR4S0 (Black), GAHJ4S0 (Black)

The GABS4S0, GASS4S0 and GAHR4S0 are designed for use on Model DVA4136 and DVB4136 fireplaces. The GAHJ4S0 is designed for use on Model RDV4136 fireplace.



WARNING: Do not remove existing glass frame! Fireplace will not function properly without glass frame. (Operating without glass frame in place could cause carbon monoxide (CO) to spill into the room.)

CAUTION: Allow unit to cool completely if it has been in operation.

Kit Contents:

- Screen Door Assembly, left
- Screen Door Assembly, right
- Arch Frame
- Installation Instructions

Installation Instructions

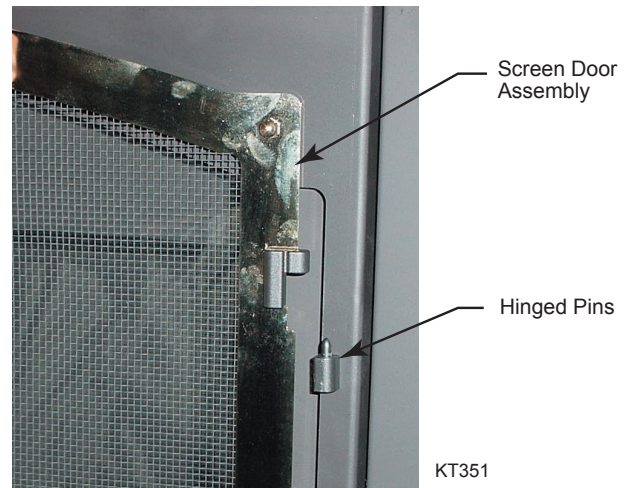
NOTE: Remove all plastic from packaging.

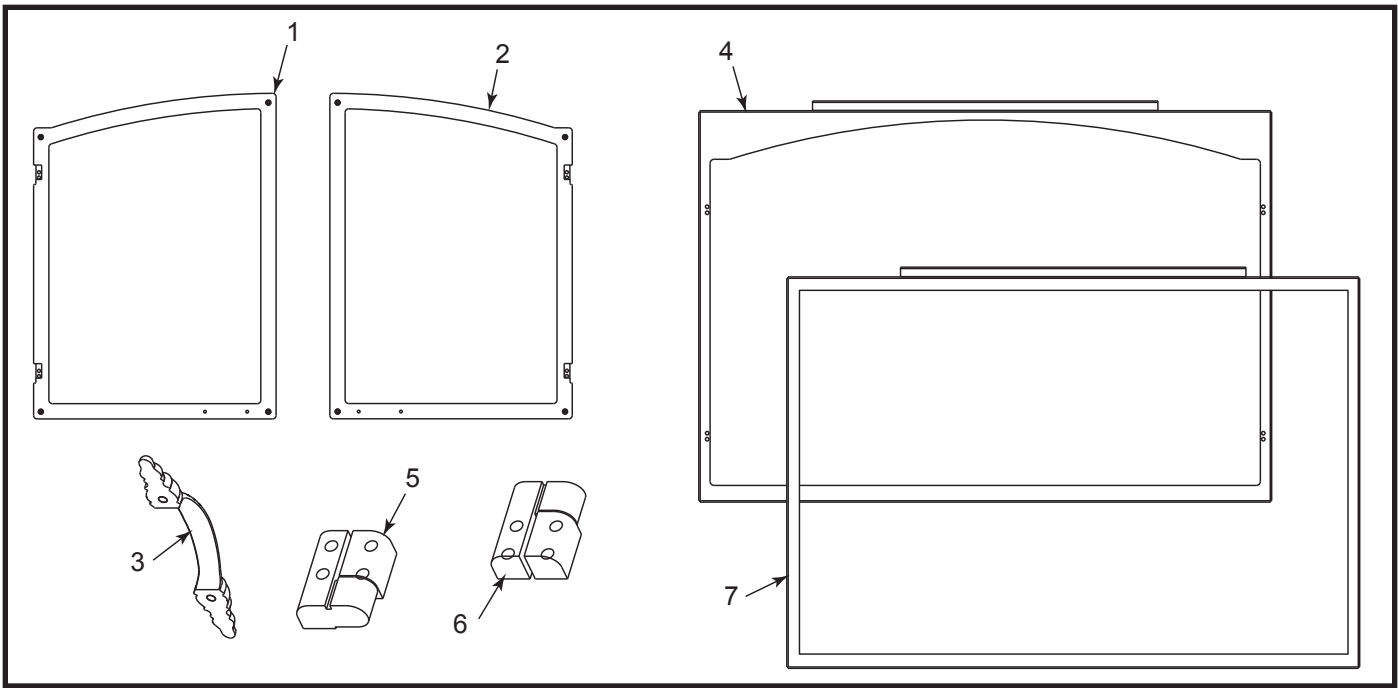
1. Remove existing top louvre from fireplace by lifting up and pulling out (Refer to top louvre instruction manual for details).
2. Hang arch frame over top of the existing glass frame.
3. Mount folding door assembly onto arch frame by hanging doors over top of the hinged pins located on both sides of the arch frame. (Fig. 1)

Ensure the left door is installed on the left and right door is installed on the right.

4. Re-install top louvre assembly.

Figure 1





CFM Corporation reserves the right to make changes in design, materials, specifications, prices and discontinue colors and products at any time, without notice.

Arch Screen Door Kit

Models: GABS4S0, GASS4S0, GAHR4S0, GAHJ4S0

Ref.	Description	GABS4S0 Black	GASS4S0 Pewter	GAHR4S0 Black	GAHJ4S0 Black
1.	Arch Door Left	10003760	10004567	--	--
2.	Arch Door Right	10003762	10004568	--	--
3.	Handle Arch Door	10003737	10004329	--	--
4.	Arch Door Frame Painted	20013457	20013457	--	--
5.	Hinge Cast Right	10003751	10004328	--	--
6.	Hinge Cast Left	10003750	10004327	--	--
7.	Safety Screen	--	--	20013711	20014150
8.	Magnet, ceramic (not shown)	--	--	10001705	10001705

CFM Corporation

2695 Meadowvale Blvd. • Mississauga, Ontario, Canada L5N 8A3
800-668-5323 • www.cfmcorp.com