



# **M255**

## **CD/DVD Duplication System**

---

### **User Manual**



5542 Brisa Street, Suite F • Livermore, CA 94550  
Tel: 925-447-8484 • Fax: 925-447-8811 • [www.all-pro-sol.com](http://www.all-pro-sol.com)

# TABLE OF CONTENTS

## M255 CD/DVD Duplicator

<b>Introduction</b>	<b>1</b>
<b>Features</b>	<b>1</b>
<b>Specification &amp; Content of the box</b>	<b>2</b>
<b>Installation &amp; Setup Guide</b>	<b>3</b>
<b>Menu Overview</b>	<b>5</b>
<b>Operation Guide</b>	<b>7</b>
1. Copy Disc	7
2. Test Copy Disc	7
3. Copy & Verify	7
4. Copy & Compare	8
5. Verify	9
6. Compare Disc	9
7. Select Burn Speed	9
8. Select Source	10
9. Audio Track Edit	10
10. Utility	11
11. Setup	14
12. Image Manager	17
13. Link Setup	19
14. About HDD Manager	20
<b>USB and USB/Firewire Connection</b>	<b>22</b>

## M255 CD/DVD Duplication System - Introduction

The M255 Series CD/DVD Duplicator is a revolutionary solution that will allow you to link up to 255 ten target towers for a maximum of 2550 targets simultaneously. Duplication can be made from a single master CD/DVD ROM or Hard Drive. The ability to reconfigure the towers to form smaller chains or select standalone mode gives you the ultimate flexibility.


This easy-to-use operating control panel consists of an LCD screen and 4 control buttons. All operating information, such as the function list, instructions, operating status, or error message(s), is displayed in real time on the screen.

The built-in Hard Drive allows users to load several CD/DVD Master Source Discs onto the HDD as source disc images. This reduces the risk of damaging the Source Disc that result from heavy duplicating jobs. A powerful HDD management system dynamically assigns HDD partitions to each CD/DVD disc image loaded onto the HDD accordingly. This ideal HDD manager will ensure a flexible and efficient HDD management process.


## Features


- **10 Target M255 Duplicator**
- **2 x16** LCD display and 4 control buttons.


### Control Buttons

There are 4 control buttons:  ,  ,  

 : used to navigate up in the menu.

 : used to navigate down in the menu.

 : **Enter**, Execute the function

 : **Escape**, used to cancel or go back to previous function

- Supports up to max 52x CD duplication, 16x DVD duplication
- Offers flexibility in setting different duplication speeds depending on Disc writers
- Easy to **select Drive as the Master Reading Source**
- Support for an **IDE Hard Drive Device**. Source CD or DVD disc can be loaded onto the Hard Drive as **disc images**
- Customizable naming for disc images stored on hard drive
- Support for **Audio Track editing**. Combine audio tracks into one customized CD
- Special **Pre-Scan** feature evaluates master source disc before copying
- Support **System Startup Password Protection** to prevent unauthorized usage
- Support **Setup Password Protection** protects custom settings on duplicating systems
- Prevents failures caused by defective blank discs or damaged source discs
- Support for Verification function ensures copied disc's readability
- Support Counter Function, all major disc types, Auto detect source disc.
- Prevents failures due to defective master disc by allow mid burn continuation.

- Allows reconfiguration of the towers for standalone or to form smaller chains depending on duplication job.
- **Firmware is easily upgradeable.** The controller's firmware can be automatically updated to individual towers or to linked towers.
- **Firmware can be synchronized** between linked towers as additional towers are added to the chain.

## Specification

Model	Max Burn CD SPEED	Max Burn DVD SPEED	Buffer Memory Size	Total Targets per Tower
<b>M255</b>	48X	16X	64 MB	10

<b>Power</b>	Current:	4 Amps per tower
	Voltage:	400 watts
<b>Environment</b>	Working Temperature	0C~75C (32F ~ 167F)
	Storage Temperature	-20 C~85 C (-4F ~ 185F)
<b>Humidity</b>	Working Humidity	20%~80%
	Storage Humidity	5%~95%
<b>Dimension</b>	Length	16 inches
	Height	9 inches
	Width	24 inches

Warning, each tower will draw approximately 4 amps from its power source. Please insure that the electrical system has sufficient amperage to support multiple towers on the same circuit.

## Content of the box

- M255 Duplicator (1)
- D-Sub 15 link cable (1)
- Power Cable (1)
- User Manual (1)
- Quick Start Guide (1)



**IMPORTANT:** We highly recommend keeping all your original packing material for your duplicator in the event that the unit may ever need to be sent in for service.

## Installation and Setup Guide

### **Step 1**

Connect the green end of the D-Sub 15 link cable to the sender port (1<sup>st</sup> port) of the duplication tower



### **Step 2**

Connect the blue end of the D-Sub 15 link cable to the receiver port (2<sup>nd</sup> port) of the next duplication tower.



### **Step 3**

If more towers are present, repeat Step 1 & 2 as necessary.



### **Step 4 – Set Link Position**

Select 12. Link Setup

Press ENT

At 1. Set MyPosition

Press ENT

For Tower 1 Select 'First'

For Tower 2 Select 'Middle'

For Tower 3 Select 'Last'

Press ENT

Press ESC

Power OFF the Towers

12. Link Setup

[Link Setup]  
1. Set My Position

[Set My Position]  
==>First

Note: Additional towers should that are between the first and last tower in the chain should be set to 'middle'

### **Step 5**

Power ON the Duplication Towers. The screen will show the total number of drives detected

Total Burner Q'ty  
30

Next it will display the number of towers detected

Total  
3 Stations

At 1. Copy, the unit is ready for use

1. Copy  
3 Stations

## Menu Overview

1.	<b>COPY</b>	This function allows you to make a CD/DVD copy. Before the use of this function, ensure that the correct reading source and blank discs are placed in the appropriate drive. The system will automatically display how many blank discs are detected. When the system is ready, press ENT to execute copy command.
2.	<b>TEST</b>	This function is the same as above, except it will not record to the recordable disc. Allows for a simulation run.
3.	<b>COPY &amp; VERIFY</b>	This function makes a copy and is followed by a Verification process to automatically ensure data correctness.
4.	<b>COPY &amp; COMPARE</b>	This function makes a copy and is followed by a Comparison process to ensure data correctness with the source disc.
5.	<b>VERIFY</b>	This function operation will check all master and copied discs' readability to confirm that all of the copies are readable.
6.	<b>COMPARE</b>	This function makes a bit-by-bit Comparison between the Master Reading Source and all the copied discs inside the writer trays.
7.	<b>SET BURN SPEED</b>	This function allows you to set the duplication speed for three different disc types (CDs, audio CDs, and DVDs).
8.	<b>SELECT SOURCE</b>	This function allows you to set the master reading source as CD/DVD ROM Drive or Hard Drive Disk.
9.	<b>AUDIO TRACK EDIT</b>	Makes Audio Track Selections. Also allows you to combine audio tracks from various CDs into a single customized audio CD.
9.1	Select & Copy Track	Select the track you would like to copy.
9.2	Close Disc	Allows you to close the track editing session in order to make the resulting disc playable.
9.3	Disc Info	Check the disc status such as available capacity.
10.	<b>UTILITY</b>	
10.1	Pre-scan	Confirms whether the Master Source Disc can be properly duplicated.
10.2	Quick Erase	Quick erase re-writable discs' data.
10.3	Full Erase	Full erase re-writable discs' data.
10.4	Eject All Disc	Ejects all discs in writer tray, including master source disc.
10.5	Disc Info.	Displays basic information such as disc type, data length, and available space.
10.6	Drive Info.	Displays duplicator's major component information, such as the manufacturer, Writer or Reader model numbers and versions.
10.7	System Info.	Provides the duplicator's information, such as the Controller model number, Buffer memory capacity, and Firmware version.
10.8	Update BIOS	As manufacturer's certified update CD is inserted, this feature instantly updates duplicator's software.
10.9	Copy Count	This utility keeps track of the number of disc that has been successfully copied.
11.	<b>SET UP</b>	
11.1	Power On Time	After the system power is turned on, the system warm up time can be set from 5 sec to 255 sec.
11.2	Auto Start	This feature allows the duplicator to automatically execute copying once disc are detected in the reader and writer trays. The setting can be turned off or the amount of seconds can be set to (1~99). To automatically execute, the operation mode has to be set to COPY, TEST, VERIFY, COPMARE, COPY&VERIFY, or COPY&COMPARE.
11.3	Startup Menu	Allows you to set which menu function will be shown first when the duplicator first starts up.
11.4	Write Method	CD duplication mode can be selected among "DAO", "SAO", and "TAO". The default mode is "DAO," which means Disc at Once
11.5	Button Beep	Toggles on/off whether you hear a beep as you press a button.
11.6	Skip Read Error	In the event of a reading error, this function will simply continue the duplication process rather than halting the entire duplication process.
11.7	Eject on Start	Allows you to choose whether the duplicator system will eject the disc on startup.

11.8	Boot Password	Allows setting or changing the password at start up.
11.9	Setup Password	Allows setting or changing the password for Setup.
11.10	Reader Speed	Allows you to set the maximum read speed of the reader
11.11	Compare Speed	Allows you to set the maximum speed during the compare function.
11.12	CHG Bad Master	This function allows the user to replace the master at mid burn if an error occurs from reading the master disc.
11.13	CD Overburn	Allows copying of certain CDs that have been over burned during its creation.
11.14	Clear Setup	Resets all settings back to manufacturer's default.
<b>12.</b>	<b>IMAGE MANAGER</b>	Contains various Hard Drive related operations. If duplicator does not have HDD installed, the system menu will not show this function.
12.1	Select Image	Used to select an Image file as a Source to be copied to the discs.
12.2	Disc -> Image	Used to copy a Source Disc to HDD to save as an Image file
12.3	Reader Speed	The following function (12.2 Disc -> Image function), will allow you to set the Reading Speed of the master source disc.
12.4	Image Info.	Checks the image file information and file size
12.5	Rename Image	This function renames the HDD image partition's name.
12.6	Delete Image	Deletes an image file in HDD. If the file is selected as the source file, you will not be able to delete it unless you go back to 12.1 to re-select the image.
12.7	HDD Info.	Checks the information in HDD, such as the number of discs stored on the HDD and the amount of space left in the HDD
12.8	Format HDD	This feature will allow you to format the HDD. However, if HDD image was selected as the source you will not be able to format it.
<b>13.</b>	<b>Link Setup</b>	
13.1	Set MyPosition	This function sets the position of the tower within the chain.
13.2	Start Link	Executes the linking process.
13.3	Update BIOS	Upgrades the controller firmware to all linked towers.
13.4	Synchron-BIOS	Synchronizes the controller firmware of all linked towers to the firmware of the first tower.



## Operation Guide

### 1. COPY DISC

The following operation shows how to copy a Master Reading Source to a blank CD/DVD disc. If you would like to make Disc-to-Disc copies simply ensure that the Master Reading Source is set as the READER

- Turn on the duplicator before you start copying and ensure that the correct reading source and blank disks have been set.
- The system will automatically display how many blank discs were detected.
- When the system is ready to copy, press **ENT** to execute CD/DVD copies.
- When the system starts the copying process, it will start loading the disc. It will then analyze the discs, and then start copying. During the copying process, the LCD screen will display the Master Source Disc's data size and copying progress.
- When the copying is finished, the Writer Trays will automatically eject.

→ Press **ENT** to load disc and execute copying

→ Analyzing source disc

→ Start Copying

→ Finished and Eject discs

*Note 2: If your duplicator has a HDD installed and if you would like to make Hard Drive-to-Disc copies, please refer to 12.1.1 HDD Image Manger for more information*

### 2. TEST COPY DISC

- This function is a simulation of the COPY process. The process is similar to the COPY function, with the exception of the writing on the recordable disks.
- Press **▲** or **▼** to navigate the function menu to 2. Test and press **ENT**
- The system will auto detect the numbers of blank disc and start to simulate the COPY process. However, there is no data that will be written onto the blank disc.
- The purpose of this process is to ensure an error free duplication.

→ Press **ENT** to load disc and execute copying simulation

→ Analyzing source disc

→ Start Simulation

→ Finished and Eject discs

### 3. COPY & VERIFY

This operation will start the copying process, and will be followed by a Verification process to ensure data's reliability. Therefore, the duplicator will not eject discs until verification is complete.

- This operation will copy the Master Source onto Blank CD/DVD discs. Before the use this function, ensure
- The correct reading source and blank discs have been set.
- The system will automatically display how many blank discs were detected.

1. Copy 79:45  
7 discs detected

Copy 79:45  
Loading Disc

Copy 79:45  
Analyze Disc...

2. Test 79:45  
7 discs detected

Copy 79:45  
Analyze Disc...

Test 79:45  
Loading Disc

Test 79:45  
Analyze Disc...

3.Copy &Verify 7 discs detected
Copy &Verify Loading Disc
Copy &Verify 79:45 Analyze Disc...
Copy 79:45 10% 08:00
Verify 79:45 45% 35:45

- d. When the system is ready to copy, press **ENT** to execute CD/DVD copying. When the system starts the copying process, it will start loading the disk. It will then analyze the disks, and then start copying. During the copying process, the LCD screen will display the Master Source Disc's data size and copying progress.
- e. When finished, the system will continue a verification to make a disc Readability check.
- f. When the verification is complete, the Writer Trays will automatically eject the completed discs.
  - Analyzing source

- Analyzing source disc
- Start Copying
- Copying finished and start verification
- 100%finished and Eject discs

Use verification to make a **Disc Readability Check**. This operation will check the master disc and the copied discs' readability to make sure all of the copies are readable.

**4. COPY & COMPARE**

This operation will start the copying process, and then it will continue with a Comparison process to ensure data correctness. Therefore, the duplicator will not eject discs until a disc Comparison is complete.

- a.This operation will directly copy the Master Source onto a blank CD/DVD disc. Before this operation, you have to put the correct reading source and blank discs.
- b.The system will automatically display how many blank discs are detected.
- c.When the system is ready to copy, just place **ENT** to execute CD/DVD copies.
- d.When the system starts the copying process, it will start loading the disk. It will then analyze the disks, and then start copying. During the copying process, the LCD screen will display the Master Source Disc's data size and copying progress.
- e.When finished, the system will continue with the Comparison process to ensure the discs are exact copies of the master source.
- f. When the Comparison is finished, the Writer Trays will eject the discs.

4.Copy & Compare 7 discs detected
Copy & Compare Loading Disc
Copy & Compare 79:45 Analyze Disc...
Copy 79:45 10% 08:00
Compare 79:45 45% 35:45

- Press **ENT** to load discs
- Analyzing source disc
- Start copying
- Copying finished
- Start Comparison
- 100% finished and Eject discs

- The Compare Disc function serves as a bit-by-bit Comparison between Master Reading Source and the copied discs inside the writer trays. This operation ensures that all of the copies are completely identical to the Master Reading Source.
- Reading Source.

## **5. VERIFY**

This function will check the master disc and the copied discs' readability to ensure that all of the copies are readable.

a. Place master source disc and all copied discs into the duplicator, Press **ENT**. The duplicator will automatically start loading the disc, analyze the source disc and start verification.

b. When verification is complete, the duplicator writer trays will automatically eject.

→ Press **ENT** to load discs

→ Analyzing source disc

→ Start verification

→ 100% Finished and eject discs

## **6. COMPARE DISC**

Use this function to make a **bit-by-bit Comparison** between Master Reading Source and the copied discs inside the writer tray. This operation is used to ensure all of the copies have the same information as the Master Reading Source.

a. Put master source disc and all copied discs into the duplicator,

b. Press **ENT**. The duplicator will automatically start loading the disc, analyze the source disc and start the Comparison function.

c. When the Comparison is finished, the duplicator writer trays will automatically eject.

→ Press **ENT** to load discs

→ Analyzing source disc

→ Start Comparison

→ 100% Finished and eject disc

- *Note : You can ONLY use the compare function when duplicating DATA discs*

## **7. SELECT BURN SPEED**

This operation allows you to adjust and **select the Duplication Speed** for the three different disc types: CD, Audio CD, and DVD.

a. Press either button **▲**, **▼** to navigate the menu. **7. SELECT SPEED**, and press **ENT**

b. You will see three disc types: CD, Audio CD, and DVD. Press either button **▲**, **▼** to select a disc type and press **ENT** to confirm your selection.

c. Press either button **▲**, **▼** to select the burning speed.

→ Press **ENT** & use **▲**, **▼** to set the data CD burning speed

5. Verify  
7 discs detected

5. Verify 79:45  
Loading Disc

Verify 79:45  
Analyze Disc...

Verify 79:45  
45% 35:45

6. Compare  
7 discs detected

Compare 79:45  
Loading Disc

Compare 79:45  
Analyze Disc

Compare 79:45  
45% 35:45

7. Set Burn Speed

Burn Speed  
CD = 52

Burn Speed  
Audio CD = 40

→ Press **ENT** & use **▲**, **▼** to set the Audio CD burning speed  
The recommended Audio burn speed is 40x.

Burn Speed  
DVD = 8

→ Press **ENT** & use **▲**, **▼** to set the DVD burning speed

*Note: DVD burn speed setting is only available on DVD duplicators*

8. Select Source

### **8. SELECT SOURCE**

Set an **Optical Drive or Hard Drive Disk** as the Master Reading Source.

Source Drive ==>  
HDD: ST380021A

a. Move to 8. Select Source and press **ENT**.  
b. Press **▲**, **▼** to select either a HDD or an Optical Drive with assigned number as the reading source.

Source Drive ==>  
D#1: dvd-rom

→ Press **ENT**  
→ move **▲**, **▼** to select  
→ Press **ENT** to finished setting

*Note: If HDD was selected as Source, then follow 12.1 Select Image 's instructions to be familiar with how to select image files as your reading source..*  
*Note: Each Optical Drive will be assigned a Drive # according to their installation sequence. If there is then Drive#1 is automatically set as the Reading Source.*

9. Track Edit

### **9. AUDIO TRACK EDIT**

This process will guide you on how to select audio tracks from various audio CDs and combine them into one customized Audio CD.

[Track Edit ]  
1. Copy Track

#### **9.1 Select and Copy Track:**

a. Move **▲**, **▼** to 9.Audio Track Edit menu.  
b. Insert an Audio CD with music tracks in the Reading drive and Insert ONLY ONE Blank CD-R disc into one of the writers.  
c. As soon as both audio CD and blank CD-R are recognized, the following message will appear "ready to press ENT" on duplicator LCD screen.  
d. Navigate the menu by press **▲**, **▼** to find the desired track number and then press **ENT** to confirm the selection. Repeat the process to choose the tracks that will be copied to the disk. The letter "a, b, c, d..." will appear on top of each selected track.

a b c  
1 2 3 4 5 6 7

→ Press **ENT**  
→ move **▲**, **▼** and press **ENT** to select tracks

c d e  
7 8 9 10 ok

→ Press **ENT** to start burning  
e. Once the tracks have been selected, press **▼** to move cursor to the end of the "OK" display. And press **ENT** to confirm and submit your selection.

Track 02      06:14  
Copy..... 03:14

f. Once you submit selection, "Copying Audio Tracks..." will appear on your LCD screen. It shows the track number, total number of the current track and the position that coping.

Track	Used	20:53
04	Free	59:25

9. Track Edit

Track Edit  
2. Close Disc

Finalizing Disc .....

Track Edit  
2. Disc Info.

[1]		79:59
CD-R	Use	59:25

10. Utility

[Utility]  
1.Prescan

Prescan		79:59
20%		15:30

Prescan		79:59
Finished		

[Utility]  
2. Quick Erase

Quick Erase Disc  
\_O \_ \_ \_ O\_o

g. Once the Copying Audio Tracks process is complete, copied CD will be displayed. It shows total track on the CD, total time used and total time remain.

h. You will need to finalize, indicated on 9.2, before playing back. If you choose NOT to finalize, you can go back to the first step to continue the process. If you choose to finalize, please use "9.2 Close Disc".

Note: Once you finished copy Audio Track, you will NEED to perform "9.2 Close Disc" function for your audio CD. If you do not, your audio CD will NOT play.

### **9.2 Close Disc**

Use this process to make a CD-R/CD-RW disc become a playable Audio CD.

- Select 9. Track Edit and press **[ENT]**
- Move to select 2. Close Disc and press **[ENT]** to start close disc process.
- When Close Disc is processing, you will see "o", "O" blinking on the screen.
- When the process is done, writer will automatically eject the disc, and you will see "\_" on the screen.

→ Press **[ENT]**

→ Close finished and eject disc

### **9.3 Disc Info.**

This feature allows you to check your disc status, such as available capacity.

- Move to 9. Track Edit, and press **[ENT]**
- Select 3. Disc Info, and press **[ENT]**.

→ Press **[ENT]**

## **10. UTILITY**

This function group includes several Disc related functions. You can press ENT and press the up or down button to select the desired function.

### **10.1 Pre-scan**

This feature will check whether the Master Source Disc can be duplicated.

- Select Utility and press **[ENT]**

- Select 1. Pre-scan and press **[ENT]**

→ Press **[ENT]**

→ 100%

### **10.2 Quick Erase**

This operation will erase re-writable discs in the Writer Tray. When it is finished erasing, the tray will automatically eject.

The duplicator can erase different types of re-writable discs simultaneously. You can place the re-writable disc you wish to erase in any tray.

→ insert re-writable discs and press **[ENT]**

→ Erasing done and eject discs

- Note: If you see "O" "o" blinking, it means Erasing is in process. If you see "F" "f" blinking, it means DVD+RW Disc Formatting is in process.

[Utility]  
3. Full Erase

Full Erase Disc  
\_O \_ \_ \_ O\_o

[Utility]  
4. Eject All Disc

[Utility]  
5. Disc Info

[1]                      79:59  
CD-R    Use    27:53

[Utility]  
6. Drive Info.

[# 1] Port 8.0 3.38  
DVD-ROM Max 16 X

[Utility]  
7. System Info.

P762NDVD            1.26

[Utility]  
8. Update BIOS

Upgrade BIOS  
Waiting Disc.....

### **10.3 Full Erase**

This operation will erase re-writable discs in the Writer Tray. It is timelier than Quick Erase function. When finished, the writer will automatically eject the trays.

→Insert re-writable disc and press **ENT**

→Erasing finished and eject discs

### **10.4 Eject All Discs**

Ejects disks, including master source disc and discs in writer trays.

→Press **ENT**→Eject all discs

### **10.5 Disc Info**

This feature allows checking disc's basic information, such as the disc type, data length, and available capacity.

→press **ENT**

### **10.6 Drive Info**

This feature allows checking the duplicator's major component information, such as its manufacturer, Writer or Reader model number and version.

a. Press ENT and then press up or down to check each Drive's model number and information.

b. The duplicator will assign each drive a number from #1to#12. #1 is Reader. #2~#12 are writers.

→press **ENT**

→press **▲▼**to select different Drives

### **10.7 System Info**

This feature provides information about the duplicator, such as the controller model number, RAM capacity, and Firmware version

→press **ENT**

→press **▲▼**to select different Drives

### **10.8 Update BIOS**

When manufacturer's certified update CD is inserted, this operation will automatically update your duplicator's software.

a. Turn on the duplicator select **10. Utility**, and press **ENT**,

b. Insert an update CD to any Drive

c. Select **8. Update BIOS** and press **ENT**

d. The system will then start executing the firmware update. When finished, the updated CD will automatically eject.

e. In 1 min, the system will re-boot. The new firmware update is complete.

→Insert update CD

Start Update  
Writing 5%

→ press **ENT**

Start Update  
Pass

→ 100%

→ eject CD

New BIOS updated  
Restart System

→ System re-boot

### **10.9 Counter**

This function keeps count of the number of successful and failed disc copied.

[Utility]  
9. Copy Count

- a. Turn on the duplicator select 10. Utility, and press **ENT**,
- b. Select 9. Copy Count and press **ENT**

[Copy Count]  
1. Show Count

→ press **ENT** to display the counter

CD	P0	F0
DVD	P0	F0

→ Shows the number of CD and DVD that passed and failed

→ press **ESC** to return

[Copy Count]  
2. Enable Count

→ press **ENT**

2. Enable Count  
== > No

→ Press **↑**/**↓** to toggle between Yes and No.

[Copy Count]  
3. Clear Count

→ press **ENT** to clear the current counter

>>> Warning <<<  
Clear All Count?

→ press **ENT** to confirm

Erasing Count.....

Clear All Count  
Complete !

→ press **ESC** to return to Copy Count menu

## **11. SETUP**

Use this function group to change the manufacturer's default setting.

[Setup]  
1. Power On Time

Power On Delay  
15 seconds

### **11.1 Power On Time**

You can set the system warm up time from 5 sec to 255 sec after system power on.

- Select **11. Set Up** and press **ENT**
- Select **1. Power On Time** and press **ENT**
- Press **▲**, **▼** to increase or decrease the seconds.  
→press **ENT**  
→press **▲**, **▼** to set seconds

[Setup]  
2. Auto Start

Auto Start  
3 seconds

### **11.2 Auto Start**

This operation allows the duplicator to **automatically execute copying once source disc is placed in the master source drive and recordable discs in any of the writer trays**. You can disable or turn on the auto start function with the time (1-99 seconds) it would take to activate this feature. To execute this function, you must set the operation mode from COPY, TEST, VERIFY, COMPARE, COPY & VERIFY, COPY&COMPARE to auto start copying.

- press **ENT**
- press **▲**, **▼** to set seconds

- Note: If you set the function off , the LCD screen will not show how many blank discs are detected in writer trays.

[Setup]  
3. Startup Menu

[Startup Menu]  
1. Copy Disc

### **11.3 Startup Menu**

Select which function in the menu to see first when the duplicator is turned on.

- press **ENT**
- press **▲**, **▼** to select function

[Setup]  
4. Write Method

Write Method  
DAO

### **11.4 Write Method**

You can select which mode to duplicate **CD** from "DAO" (Disc At once), "SAO" (Session At Once), and "TAO" (Track At Once). The default mode is "DAO".

- press **ENT**
- press **▲**, **▼** to select

[Setup]  
5. Button Beep

Button Beep  
ON

### **11.5 Button Beep**

Choose whether to hear a beep when you press a button or not.

- press **ENT**
- press **▲**, **▼** to select ON/OFF

[Setup]  
6. Read Error Skip

### **11.6 Read Error Skip**

Choose to stop the duplicating process when error has occurred.



Skip Read Error  
ON

→press **ENT**

→press **▲▼** to select ON/OFF

[Setup]  
7. Eject On Start

### **11.7 Eject on Start**

You can choose whether or not to eject the disc when powering up the system.

→press **ENT**

Eject On Start  
Eject All

→press **▲▼** to select Eject All/No Eject/ Eject Target/ Eject Source

[Setup]  
8. Boot Password

### **11.8 Boot Password**

You can setup the boot password to prevent anyone from using the system.

→press **ENT**

Boot Password  
== > Disable

→press **▲▼** to select Disable/Enable

[Setup]  
8. Boot Password

If you select Disable, you will go back to 8.Boot Password:

Boot Password  
= = > \_

If you select Enable, you will need to choose a password:  
Use **▲▼** to select the character you want.

Press **ENT** to go to the next position.

There are a total of 6 positions for the password. To enable the password, set all 6 positions. An empty space is acceptable.

Press **ESC** to cancel the process and the duplicating system will ask for password when the unit is restarted.

[Setup]  
9. Setup Password

### **11.9 Setup Password**

You can enable the setup password to prevent anyone from changing the setting of the duplicating system.

→press **ENT**

Setup Password  
= = > Disable

→press **▲▼** to select Disable/Enable

[Setup]  
5. Boot Password

If you select Disable, you will go back to:

Boot Password  
== > \_

If you select Enable, you will need to choose a password:  
Use **▲▼** to select the character you want.

Press **ENT** will go to the next position.

There are total of 6 positions for the password. To enable the password set all 6 positions. An empty space is acceptable.

Press **ESC** to cancel the process.

The duplicating system will ask for password when 11. Setup is entered.

[Setup]  
10. Reader Speed

[Reader Speed]  
CD = 56

[Reader Speed]  
DVD = 16

### **11.10 Reader Speed**

Allow you to set the reading speed of the reader.

→press

→press   to change the CD read speed

→press  to select

→press   to change the DVD read speed

→press  to select

[Setup]  
11. Compare Speed

[Compare Speed]  
CD = 40

[Compare Speed]  
DVD = 8

### **11.11 Compare Speed**

This function allows you to set the speed for the compare function.

→press

→press   to change the CD compare speed

→press  to select

→press   to change the DVD compare speed

→press  to select

[Setup]  
12. CHG Bad Master

Change Master...  
== > Disable

### **11.12 CHG Bad Master**

When enabled this option allows you to change the master disc at mid burn if an error is detect during the burn.

→press

→press   to toggle between Enable and Disable

→press  to select

[Setup]  
13. CD Overburn

[CD Overburn]  
== > Disable

### **11.13 CD Overburn**

When enabled this option allows certain CDs that have been over burned during its creation to be copied.

→press

→press   to toggle between Enable and Disable

→press  to select

[Setup]  
14. Clear Setup

### **11.14 Clear All**

Reset the operations back to manufacturer's default settings.

Clear Parameter  
To Default ?

All Parameter  
Was cleared

→ press **ENT**, clear all settings made and return back to manufacturer's default setting

→ press **ENT** to confirm or press **ESC** to cancel

→ press **ESC** to return to 11.14 Clear Setup

## **12. IMAGE MANAGER (For Duplicator with HDD Installed)**

This function shows how to perform various Hard Drive related operations. The system menu will not show this function if your duplicator does not have an HDD installed.

**Please refer to 14. ABOUT HDD MANAGER to get more information about the special function and advantages about this feature.**

### **12.1 Select Image**

[Image Manager]  
1. Select Image

[Select Image]  
A001 DVD 4469M

This function shows how to select an Image file as a Source that can be copied to discs. This function is required when a copy is made from your HDD to blank discs. Please refer to 12.1.1 for instructions regarding how to make Hard Drive-to-Disc Copies.

→ press **ENT**

→ press **↑, ↓** to select and press to **ENT** confirm

#### **12.1.1 Make Hard Drive-to-Disc Copies**

Make sure Hard Drive is set to Master Reading Source. When it is finished, select the image then HDD will automatically be set as the Reading Source.

a. Return to the main menu and press the up or down buttons to select 1. Copy function.

b. Insert blank discs into writer trays. (If there is a disc in the Reader tray, it will not be read) Press **ENT** to start copying. If 11.2 Auto Start, is selected when a blank disc is placed in any of the writer trays, the duplicator will automatically begin the copying process.

c. When completed, trays will eject.

• *Note: Once an HDD Image is selected, the HDD will automatically be set as the Reading Source. If you wish to make Disc -to- Disc Copies, you must go back to 8. Select Source to select the CD/DVD-ROM as the Reading Source.*

#### **12.2 Disc => Image**

This function shows you how to load the master source disc onto the Hard Drive and save it as an image file.

a. Place Master Source Disc into **any Drive**,

b. Select 12.2 Disc -> Image and press **ENT**

→ press **ENT**

→ 100%

• *Note: The source disc can be placed in any Reader or any one of Writer Drive.*

[Image Manager]  
2. Disc => Image

[Disc ==> A001]  
10% 446MB

\*\* The source disc loaded to  
HDD as image file A001.

[Disc ==> A001]  
Finished

#### **12.3 Reader Speed**

[Image Manager]  
3. Reader Speed

When you wish to perform this function, 12.2 Disc -> Image, set the Reading Speed from the reading master source disc

• Note: this function is ONLY available when loading the Source Disc to an HDD

[Image Manager]  
4. Image Info.

**12.4 Image Info**

This function allows checking all image file information such as the Image file number, Disc type, and its file size.

→ press **ENT**

[Image Info.]  
A001 DVD 3875MB

→ 3.875GB DVD disc image file A001

[Image Info.]  
A001 CD 65:28

→ CD disc image with 65 min 28 sec, file name A003

**12.5 Rename Image**

This function allows you to rename an image file in HDD. This will help organize the image.

→ press **ENT**

[Image Manager]  
5. Rename Image

001 [A001  
DVD 4469MB

→ Select the image file you would like to rename

[Edit Image Name]  
[A001 ]

→ press **ENT**

Use **▲**/**▼** to select the character you want.

[Edit Name Change]  
[New Name ] OK?

Press **ENT** to go to the next position.

There are total of 8 characters for the image name.

[A001 ]  
=>[New Name]

Empty Space will confirm the name change

Press **ESC** to cancel the whole process.

**12.6 Delete Image**

This function allows you to delete an image file in HDD. If the file is selected as source file, you will not be able to delete it unless you go back to 12.1 to re-select another image as source.

→ press **ENT**

[Image Manager]  
6. Delete Image

[Delete Image]  
A001 DVD 4469M

→ Select the image file you would like to rename

[Delete Image]  
A003 DVD 4372M

→ Press **ENT** to confirm

A003 DVD 4372M  
DELETE Complete

→ Press **ENT** and execute delete

[Image Manager]  
7. HDD Info.

Used: 0CD 7DVD  
Free: 41CD 8DVD

[Image Manager]  
8. Format HDD

Caution:  
Format HDD?

[Format HDD]  
Confirm Again

[Format HDD]  
Complete!

### **12.7 HDD Info.**

This function allows checking all information of HDD, such as how many discs are stored and the HDD's available space.

→ press

### **12.8 Format HDD**

This feature allows formatting the HDD. However, you will be unable to format the HDD if the HDD image was selected as Reading Source. You must go to 8. Select Source to select the Optical Drive as Reading Source.

→ press

→ Press  to confirm format

→ Press  to confirm and start executing

## **13. LINK SETUP**

To access this menu use the  until you arrived at 13. Link Setup, and then press

Note: If no Hard Drive is present in the tower, this function will default to 12. Link Setup.

### **13.1 Set MyPosition**

This function will allow you to set the position of the tower within the chain.

a. Select 13. Link Setup and press

b. At 1.Set My Position and press

c. Press , to select between First Tower, Middle Tower, Last Tower, or Stand-alone.

→ Press

### **13.2 Start Link**

This function allows you to start the linking process. Linking process also automatically starts when the duplication towers are first power on.

a. Select 13. Link Setup and press  press

b. Select 2. Start Link and press

[Link Setup]  
1. Set MyPosition

[Link Position]  
== > First

[Link Setup]  
2. Start Link

Start LINK .....

[Link Setup]  
3. Update BIOS

Upgrade BIOS  
Waiting Disc .....

[Link Setup]  
4. Synchron-BIOS

Move Data [02713]

### **13.3 Update BIOS**

This function allows you to upgrade the firmware of all the towers in the chain  
Note: It requires a firmware CD that contains .bin firmware file to work. Contact the duplicator manufacturer to obtain the update file.

- a. Select 13. Link Setup and press **ENT** press
- b. Insert a certified firmware upgrade disc in the reader.
- c. Select 3. Update BIOS and press **ENT**

### **13.4 Synchron-BIOS**

This function allows you to synchronize the firmware version from the first tower to all the towers in the chain.  
Note: It requires a firmware CD that contains .bin firmware file to work. Contact the duplicator manufacturer to obtain the update file.

- a. Select 13. Link Setup and press **ENT** press
- b. Select 4. Synchron-BIOS and press **ENT**
- c. Data will begin moving from the first tower to the subsequent towers.

## **14. About HDD Manager**

Our duplicator uses rational and dynamic HDD management technology. The traditional method of formatting an HDD requires you to choose the number of partitions designated for DVDs and CDs before formatting your hard drive. The problem is that you might not be able to predict how many DVDs or CDs you will load onto your hard drive. Many incomplete partitions can be created, mainly with new DVD disks constantly coming out, such as the double-layer DVD. **You need an intelligent and more dynamic way to manage your HDD and our HDD manager can do that for you!**

Our Dynamic HDD Manager consists of the following special features: 1. Auto Detect Disc Capacity and Dynamically Assign Partitions

1. When you first format the built-in HDD, our duplicator will **automatically divide the HDD into 1GB partitions**. A DVD or CD partition does not have to be selected in the beginning.

2. You can check HDD information in function 12.6 HDD Info. The Hard Drive's **capacity is presented in terms of how many DVD or CD discs** you can load. For example, if your built-in HDD is 40GB, then the system will show the HDD available capacity:

→ 5GB = 8

→ 40GB/ 1GB = 40

• Note: DVD is calculated by 5GB, and CD is calculated by 1GB.

3. Every time a source disc is loaded, **the duplicator will auto detect the disc capacity and assign correct partitions for it**. For example, if you load a 4GB double-layer DVD

8 DVD

40CD

disc into HDD as a disc image, the system will automatically detect and assign 4 partitions for it.

**4. Dynamic calculated and display HDD capacity.** The duplicator will present built-in HDD capacity information dynamically depending on your loaded source disc's capacity.. Before loading a 4GB DVD disc as source disc image, the HDD information shows the HDD capacity that is available for loading **5 DVD or 26 CDs**. However, after loading a 4GB DVD, the system will **re-calculate** the total available partitions and display how many DVD or CD discs you can load as disc image the next time.

→ **Before load 4GB DVD HDD info:**

*Note: DVD indicates 5GB partition and CD indicate 1GB partition*

→ **After load 4GB DVD HDD info:**

**Smart Image File Management:**

1. When Discs are loaded into HDD as stored disc images, the system will assign a file name to the image file beginning from A001~.

• *Note: Each time a new disc image is loaded, **the system will automatically search and assign the lowest number as the file name.** For example, if there are no deleted files, the file name will be assigned in sequence beginning from A001. However, if there is a deleted file, such as A003, then the file name will be held. The next time there is a new disc image stored, the lowest number of A003 will be assigned as this new disc image's file name.*

2. You are allowed to delete an image file by executing 12.5 delete image. Once an image file is deleted, the name of the file will be left empty and held for a future loaded image file. The existing file name will not be changed or moved ahead due to the deletion.

3. Use 12. 4 Image Info function to check image file information. The image information will display the image file name, Disc type and file size.

→ 3.875GB DVD disc image file A001

→ CD disc image with 65 min 28 sec., file A003

Used: 2 DVD 3CD
Free: 5 DVD 26 CD

Used: 3 DVD 3CD
Free: 4 DVD 22 CD

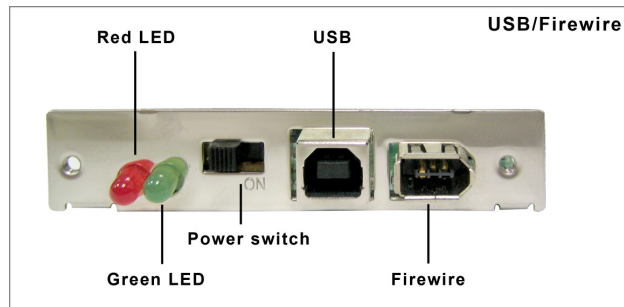
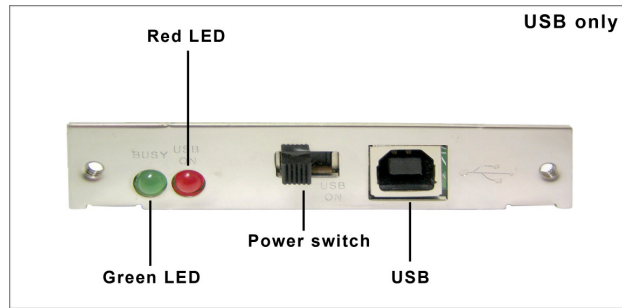
[Image Info]
A001 DVD 3875MB

[Image Info]
A003 CD 65:28

## USB or USB/FIREWIRE CONNECTION

If your duplicator is equipped with a USB or USB/Firewire external connector, you can use your first CD/DVD target drive as an external CD/DVD burner to create your master from your computer.

USB or USB/Firewire connection can be enabled or disabled by the switch located on the back of the duplicator. A USB (A to B cable) or Firewire Cable (6 pin connector) is required to establish the connection between the computer and the duplicator.



ON: USB enabled. Computer controls the 1<sup>st</sup> Target drive. 1<sup>st</sup> Target drive will no longer be available to the duplicator

OFF: USB disabled. The duplicator will utilize all drives for duplication. (Note: If switch was toggled OFF while duplication tower is ON, restarting the duplicating tower is required).

Red LED is the USB Power Indicator.  
Green LED is the Access Status Indicator.

#### System Requirements:

- Windows ME/2000/XP, Mac OS X (Native software is not supported)
- Available USB 2.0 Port for USB, 1394A Firewire port for Firewire
- USB Cable or Firewire Cable (Not included)
- CD/DVD burning software (Not included), please check drive compatibility for your choice of software or a software update may be required to detect.