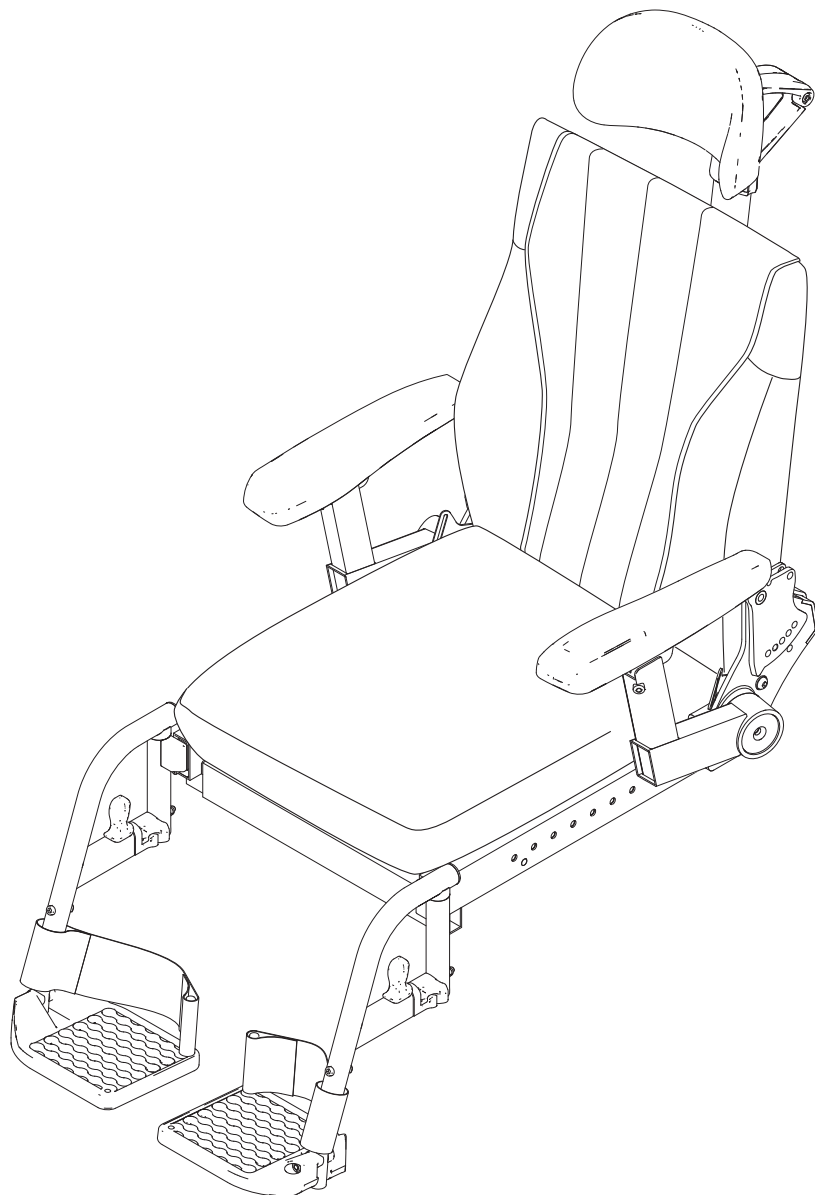


USER MANUAL

EN

EASYFIT



handicare

© 2014 Handicare

All rights reserved.

The information provided herein may not be reproduced and/or published in any form, by print, photoprint, microfilm or any other means whatsoever (electronically or mechanically) without the prior written authorization of Handicare.

The information provided is based on general data concerning the construction known at the time of the publication of this manual. Handicare executes a policy of continuous improvement and reserves the right to changes and modifications.

The information provided is valid for the product in its standard version. Handicare can therefore not be held liable for any damage resulting from specifications of the product deviating from the standard configuration. Illustrations contained in the manual may deviate from the configuration of your product.

The information made available has been prepared with all possible diligence, but Handicare cannot be held liable for any errors contained in the information or the consequences thereof.

Handicare accepts no liability for loss resulting from work executed by third parties.

Names, trade names, trademarks etc. used by Handicare may not, as per the legislation concerning the protection of trade names, be considered as being available.

2014-01

Table of content

| | | |
|----|---|----|
| 1 | Introduction | 6 |
| | 1.1 This manual | 6 |
| | 1.2 Symbols used in this manual | 6 |
| 2 | Safety | 7 |
| | 2.1 Temperature | 7 |
| | 2.2 Indications on the seating system | 7 |
| | 2.3 Moving parts | 7 |
| 3 | General description | 8 |
| | 3.1 Description of EasyFit | 8 |
| 4 | Use | 9 |
| | 4.1 Adjustment of the seating system (by the user/attendant) | 9 |
| | 4.2 Getting into and out of the wheelchair (forward transfer) | 11 |
| | 4.3 Getting into and out of the wheelchair (sideways transfer) | 12 |
| | 4.4 Options / accessories | 13 |
| | 4.5 Reducing the seating system in size for transportation purposes | 14 |
| | 4.6 Setting up the seating system following transportation | 16 |
| 5 | Seating system adjustments (to be carried out by a professional) | 18 |
| | 5.1 Seat width | 18 |
| | 5.2 Seat depth | 18 |
| | 5.3 Backrest height | 19 |
| | 5.4 Legrests | 19 |
| | 5.5 Armrest assembly | 20 |
| | 5.6 Back curvature adjustment | 24 |
| | 5.7 Adjusting the centre of gravity | 25 |
| | 5.8 Headrest | 25 |
| | 5.9 Fixed / swing away controller bracket | 26 |
| | 5.10 Abduction support | 27 |
| | 5.11 Thigh support | 28 |
| | 5.12 Attaching the lap strap | 28 |
| 6 | Maintenance | 30 |
| | 6.1 Cleaning the upholstery | 30 |
| 7 | Troubleshooting | 31 |
| 8 | Specifications | 32 |
| | 8.1 CE declaration of conformity | 32 |
| | 8.2 Technical information | 32 |
| 9. | Provisions of warranty | 34 |

1 Introduction

1.1 This manual

This user manual will help you to use and maintain your seating system safely. This user manual is a supplement to Handicare's general wheelchair user manual.

Where necessary this user manual refers to other manuals as shown below:



Wheelchair: Refers to the general wheelchair user manual.



Controller: Refers to the user manual for the controller (only applicable for power wheelchairs).

Read this user manual and the other user manuals referred to carefully before using the product.

If one of the user manuals was not included with your wheelchair, please contact your dealer immediately.

In addition to this user manual, there is also a service manual for qualified specialists.

CONTACT HANDICARE IF YOU HAVE A VISUAL IMPAIRMENT.

1.2 Symbols used in this manual

Note!

Pointing out possible problems to the user.



Caution!

Advice for the user to prevent damage to the product.



Warning!

Warnings for the user to prevent personal injury.

Not following these instructions may result in physical injury, damage to the product or damage to the environment!

2 Safety

⚠ Warning!

Always follow the instructions given next to the warning symbols! Failure to follow these instructions may result in physical injury, damage to the wheelchair or damage to the environment. Where possible the warning symbols have been placed in the applicable paragraphs.

Be careful when swing away/flip up parts. Contact with moving parts should be avoided.

Take care when smoking.

Do not use wheelchair near open flame.

⚠ Caution!

Parts of the wheelchair that are intended, for service or repair, to be removed without the use of tools (e.g. armrest, legrest) can have an adverse effect on the support of the user if they are missing or not placed back in the right position.

2.1 Temperature

⚠ Warning!

Avoid exposing the wheelchair to direct sunlight for extended periods of time. Some parts of the wheelchair, such as the seat, the backrest and the armrests assembly, complete, can become hot if exposed to the sun for too long. This may cause burns or skin irritation.

2.2 Indications on the seating system



The wheelchair must not be lifted up by the armrests assembly, complete and/or legrests.

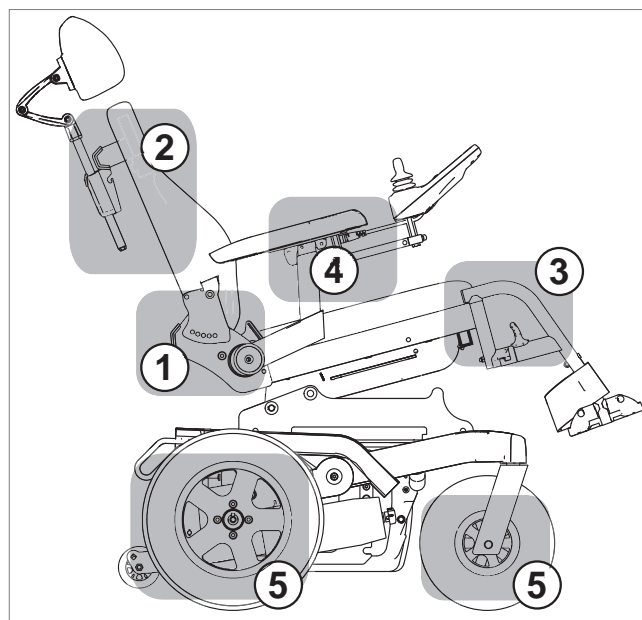


The stability of the wheelchair is influenced by the adjustment of the seating system's centre of gravity. Such adjustments should be made by professionals only.

2.3 Moving parts

⚠ Warning!

Contact with the moving parts of the wheelchair should be avoided. A wheelchair has moving and rotating parts. Contact with moving parts may result in serious physical injury or damage to the wheelchair.



1. Electrically tilt adjustment
2. Electrically reclining backrest
3. Electrically elevating legrest
4. Flip-up armrests
5. Wheels (turning and pivoting)

3 General description

3.1 Description of EasyFit

The wheelchair is fitted with EasyFit seating system. The EasyFit seating system provides good support for the head, torso, arms and legs. Optimal body support ensures maximum independence for the wheelchair user.

The wheelchair must be adjusted by a qualified specialist. Incorrect settings may have negative consequences for seating posture.

⚠ Caution!

Please study this manual carefully before using the seating system.

Key to symbols



Loosen by one turn with wing-nut



Tighten by one turn with wing-nut



Loosen by one turn with torx



Tighten by one turn with torx



Step 1, 2 etc.

An arrow, as part of an illustration, indicates that the component in question moves or needs to be moved in the direction indicated.

Notes on "Key to symbols"

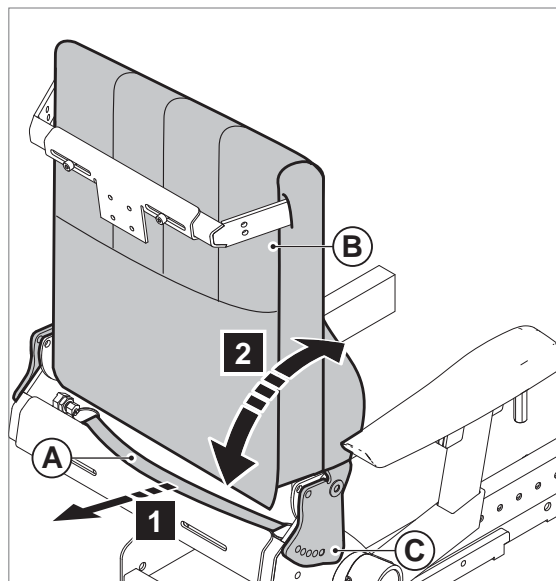
Each illustration includes icons and numbering to indicate what needs to be done and in which order.

4 Use

4.1 Adjustment of the seating system (by the user/attendant)

Adjusting the back angle

1. Pull the the strap (A)
2. Pull or push the back (B)
3. Release the strap in desired angle (C)



Manually elevating legrest with calf support knee angle

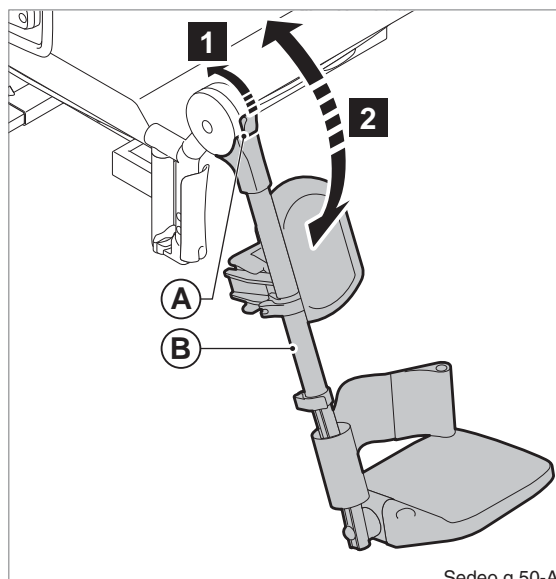
Note!

Legrests can be adjusted individually.

4. Pull (A) towards you.
5. (B) moves upwards. Alternatively, push (B) downwards.

Note!

Keep (A) pressed.

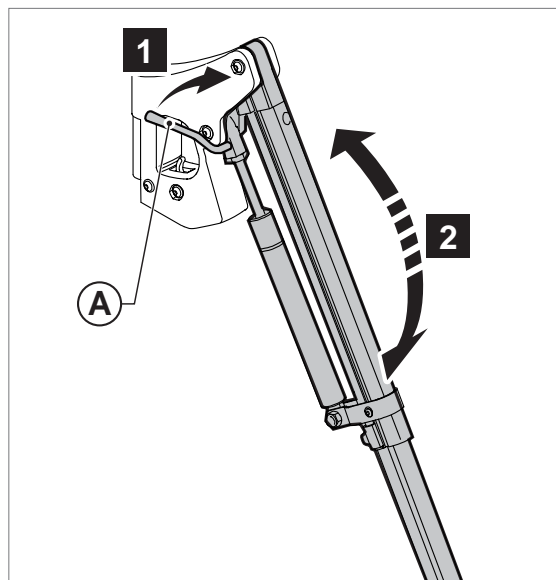


Sedeo q 50-A

Manually elevating legrest (option) knee angle

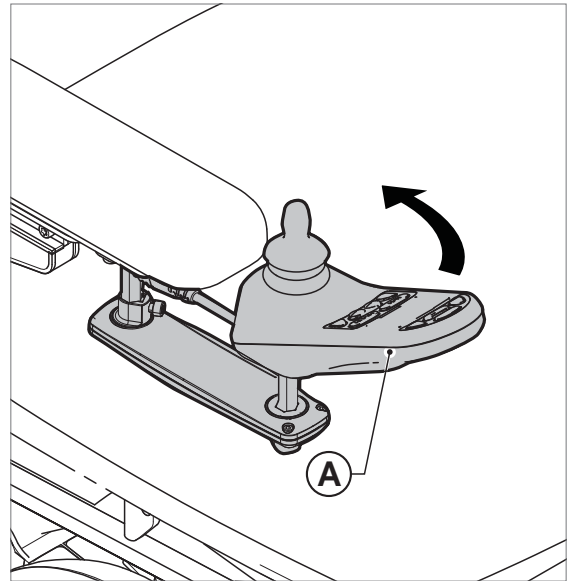
The angle of the legrests can be adjusted independently of each other.

1. Push handle (A) forwards.
2. Lift your leg.
3. Release the handle when in the desired position.



Moving the controller bracket inwards

1. Push (A) inwards until hearing a click.

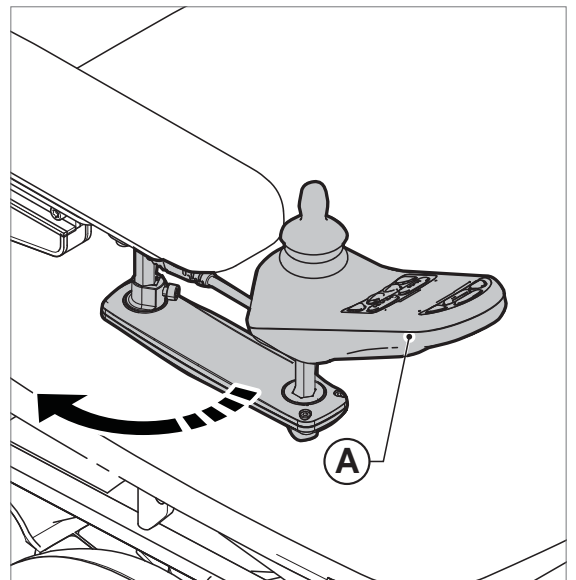


Swing away the controller bracket

1. Push (A) outwards until hearing a click.

Note!

Swinging back the controller bracket will allow you to pull up close to a table. Full operation of the controller remains possible.

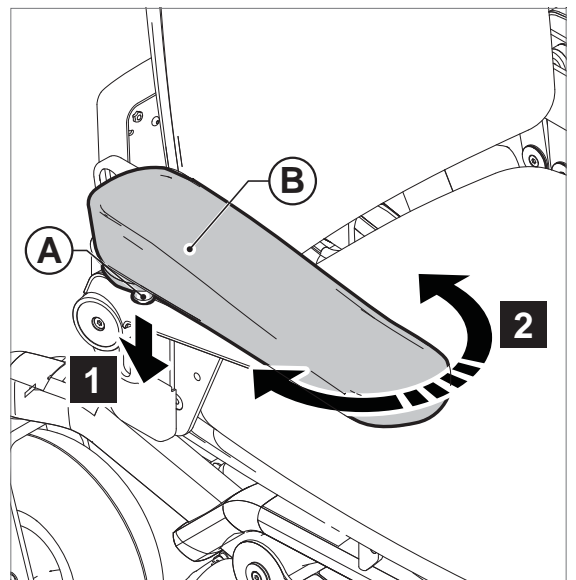


Hemiplegia armrest

1. Pull (A) out of the locked position and twist (B) into the desired position.

Note!

Ensure that (B) is properly secured!



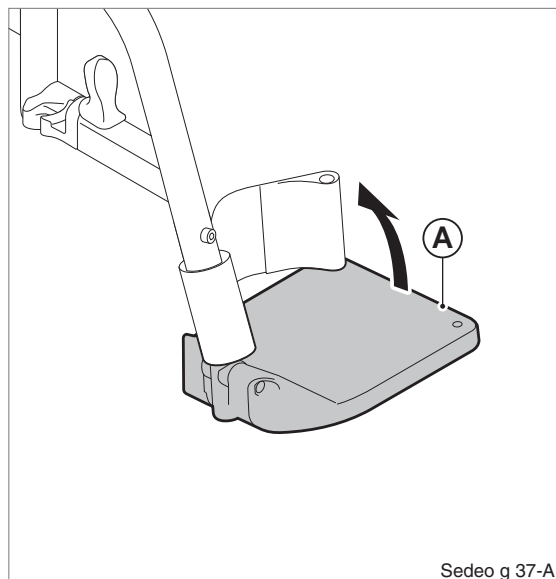
4.2 Getting into and out of the wheelchair (forward transfer)

⚠ Warning!

Do not stand on the footplates. Putting your full weight on the footplates may lead to wheelchair damage and to hazardous situations, including the wheelchair tipping up.

Flip up the footplate.

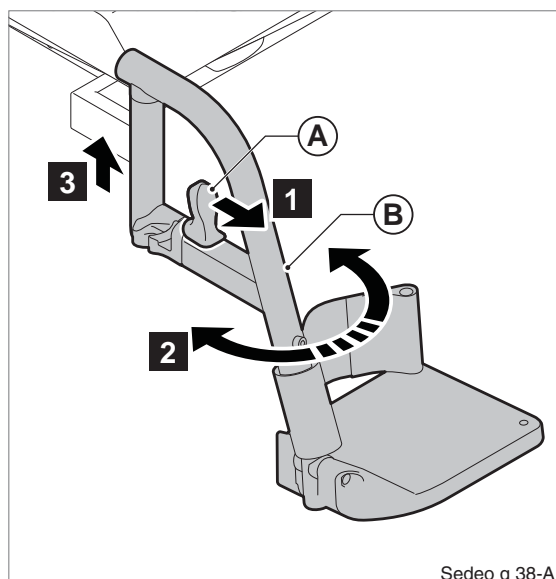
1. Flip up (A).



Sedeo g 37-A

Swinging back and/or removing the standard legrest with heel strap

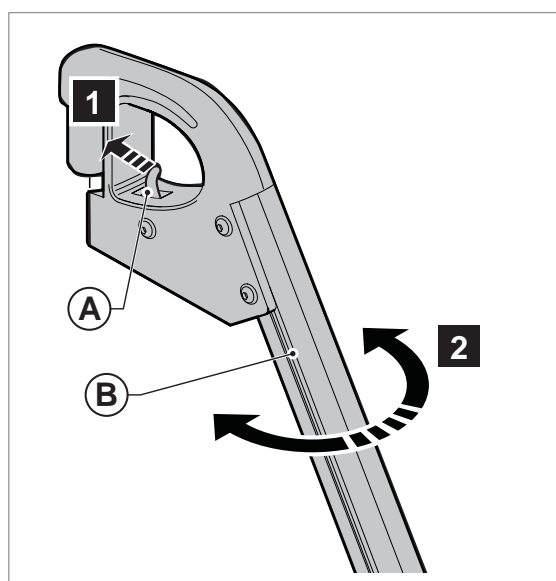
1. Push (A) forwards and keep (A) pressed.
2. Swing (B) to the side.
3. Remove (B).



Sedeo g 38-A

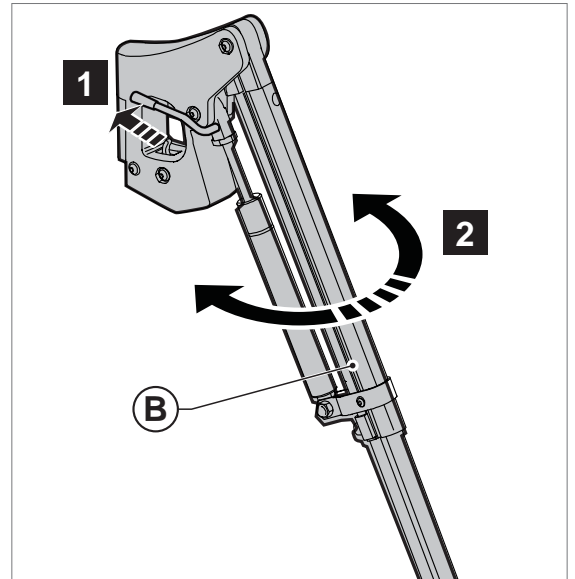
Swinging back and/or removing the standard legrest (option)

1. Push (A) to the rear.
2. Swing (B) to the side.
3. Remove (B).



Swinging back and/or removing the manually elevating legrest (option)

1. Push (A) to the rear.
2. Swing (B) to the side.
3. Remove (B).



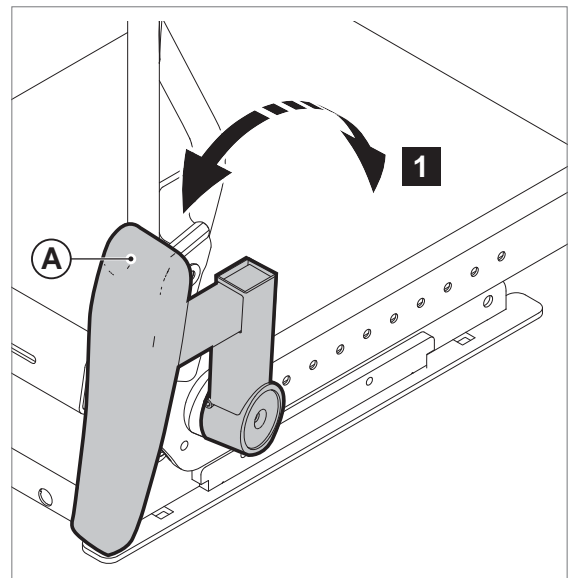
4.3 Getting into and out of the wheelchair (sideways transfer)

Note!

Some versions of the controller will need to be swung aside.

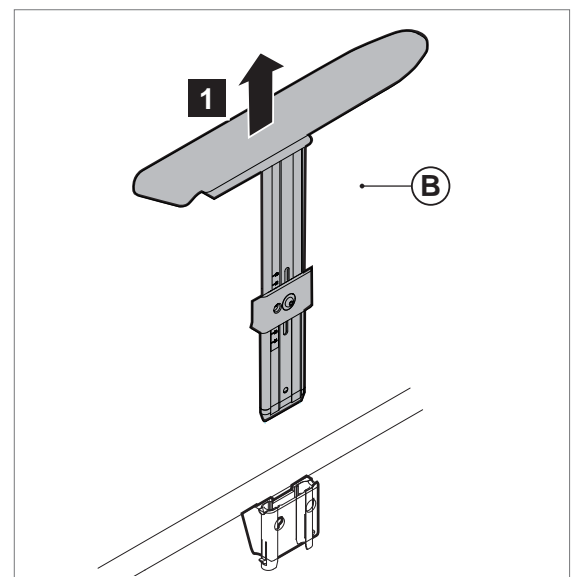
Flip up the armrest

1. Fold (A) to the rear.



Removing the armrest assembly (option)

1. The armrests can be removed by lifting them straight up



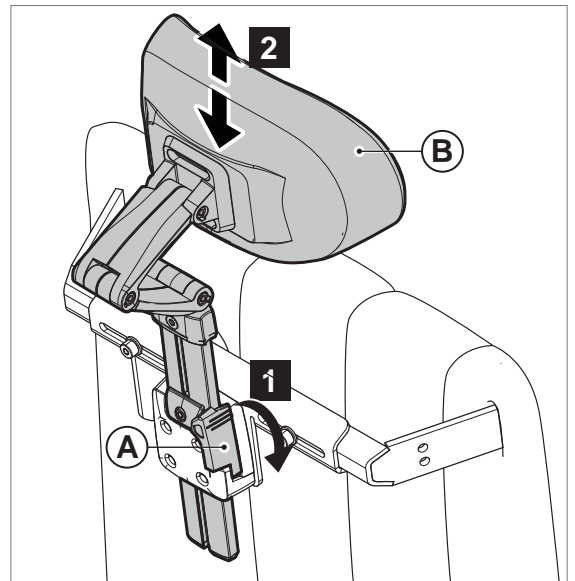
4.4 Options / accessories

Removing/positioning the headrest

1. Flip (A) down.
2. Slide (B) out of or into the receiver.
3. Flip (A) up and lock.

Note!

Always slide the headrest until it comes to a stop in the bracket.



Flip down the abduction support

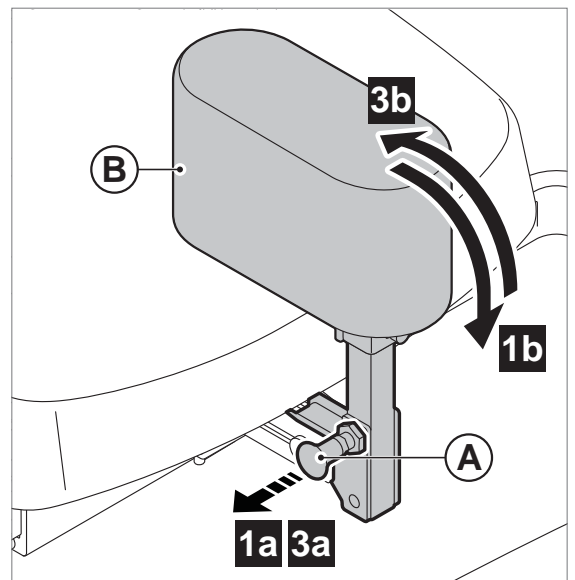
1. Pull (A) out of the locked position and flip down (B)
2. Release (A).

Flip up the abduction support

1. Pull (A) out of the locked position and flip up (B).
2. Release (A) in the locked position.

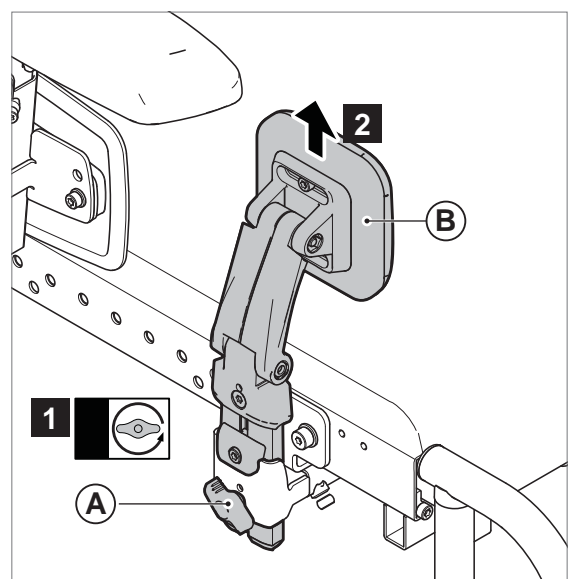
Note!

Ensure that (B) is properly secured!



Removing the thigh support

1. Loosen (A) by one turn
2. Lift the thigh support straight up (B)

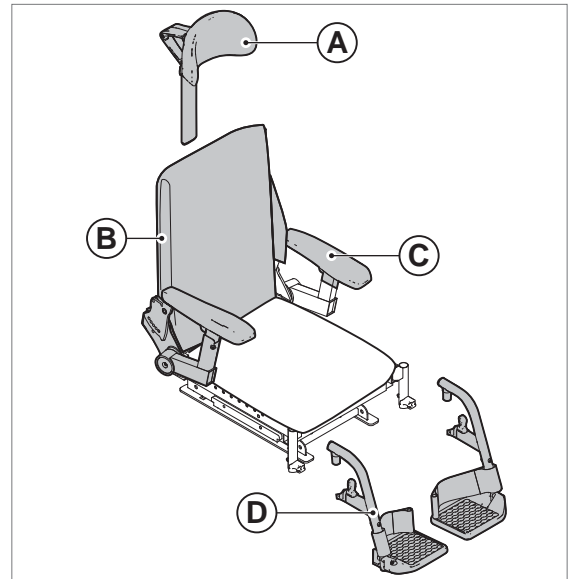


4.5 Reducing the seating system in size for transportation purposes

- A. Removing the headrest, see 4.4 'Options & accessories'
- B. Fold backrest forward
- C. Removing the armrest (option)
- D. Removing the legrests

Warning!

The wheelchair can be reduced in size for transportation without a passenger. Any components of the seating system that can be detached easily should be removed. Store away such components safely so that they can not cause injury or damage, or become damaged themselves.

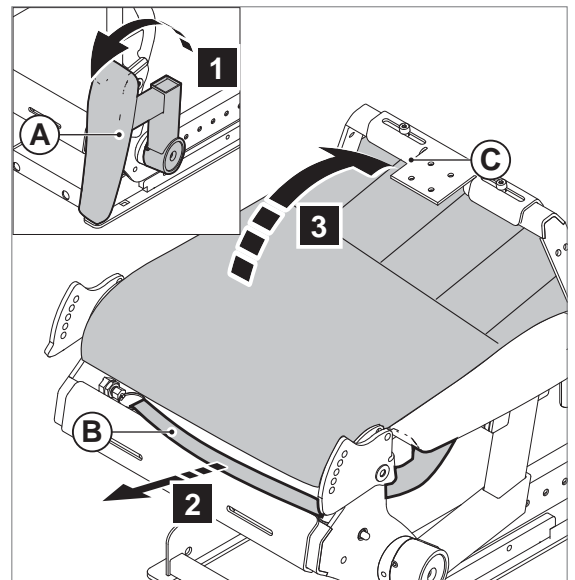


Folding the backrest fully forward

1. Flip up the armrests (A).
2. Pull the strap (B)
3. Push the backrest (C) forwards and downwards.
Release the strap (B)
4. Flip down the armrests (A).

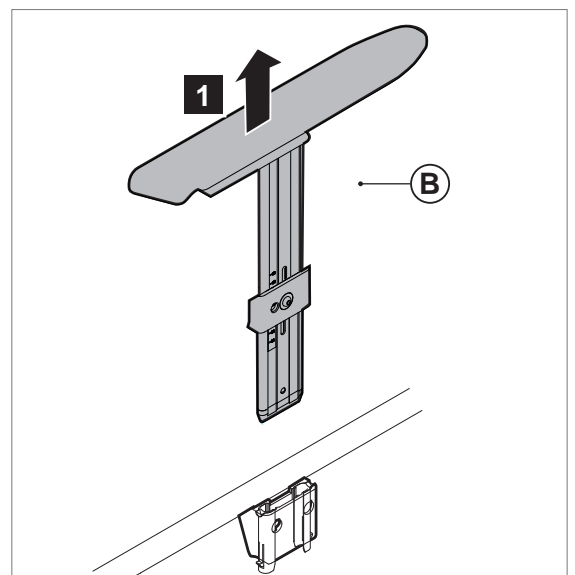
Note!

If necessary, first remove the armrest assemblies.



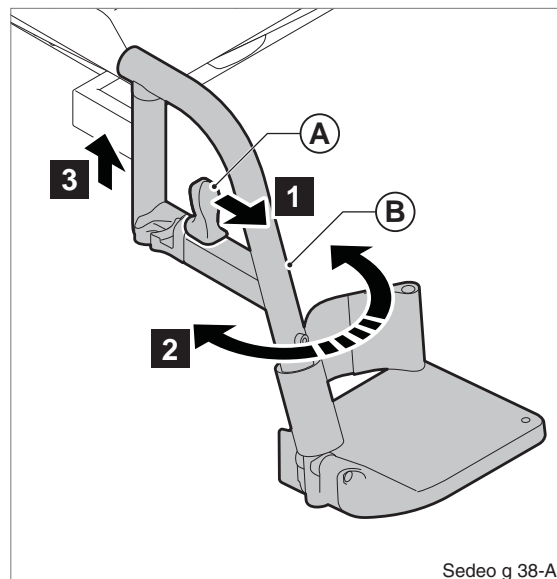
Removing the armrest assembly (option)

1. Lift (B) straight up

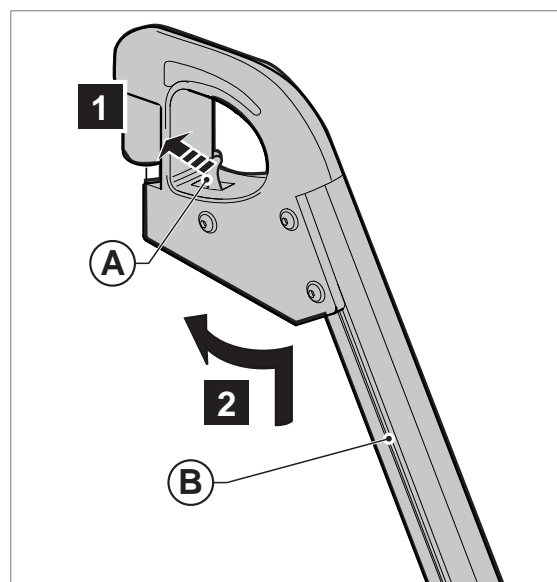


Removing the standard legrest with heel strap

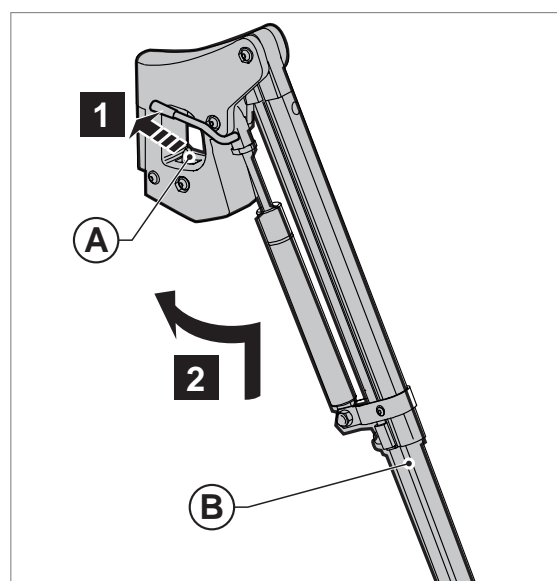
1. Push (A) forwards and keep (A) pressed.
2. Swing (B) to the side.
3. Remove (B).

**Removing the standard legrest (option)**

1. Push (A) to the rear.
2. Swing (B) to the side.
3. Remove (B).

**Removing the manually elevating legrest (option)**

1. Push (A) to the rear.
2. Swing (B) to the side.
3. Remove (B).



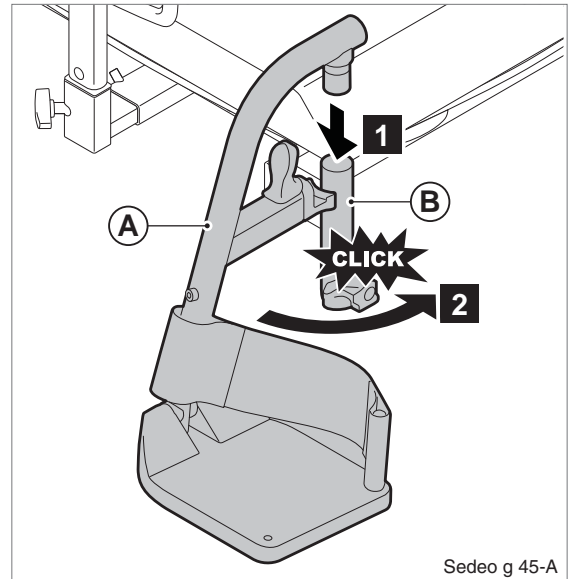
4.6 Setting up the seating system following transportation

Positioning the standard legrest with heel strap

1. Slide (A) completely into (B).
2. Pivot (A) inwards until hearing a click.

Note!

After hearing a click, the legrest is locked into place.

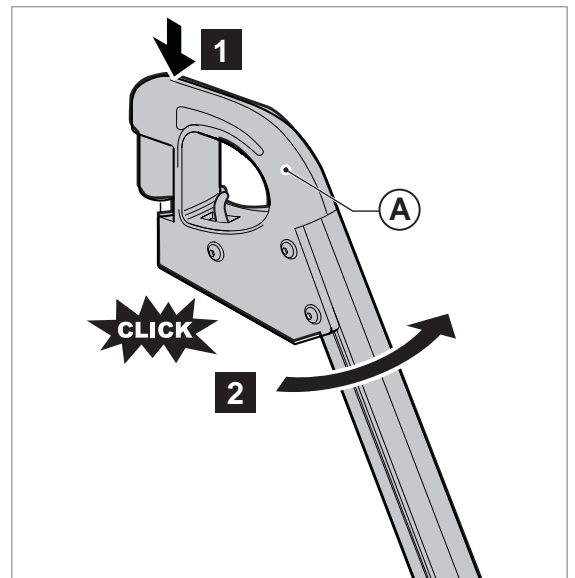


Positioning the standard legrest (option)

1. Slide (A) completely into the fixation bracket.
2. Pivot (A) inwards until hearing a click.

Note!

After hearing a click, the legrest is locked into place.

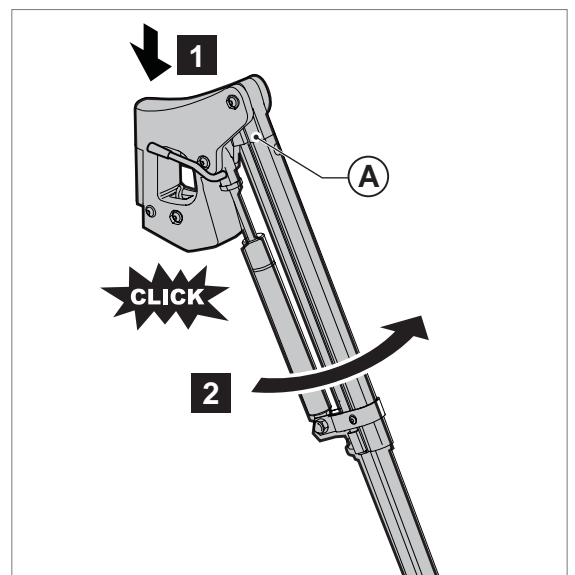


Positioning the manually elevating legrest (option)

1. Slide (A) completely into fixation bracket.
2. Pivot (A) inwards until hearing a click.

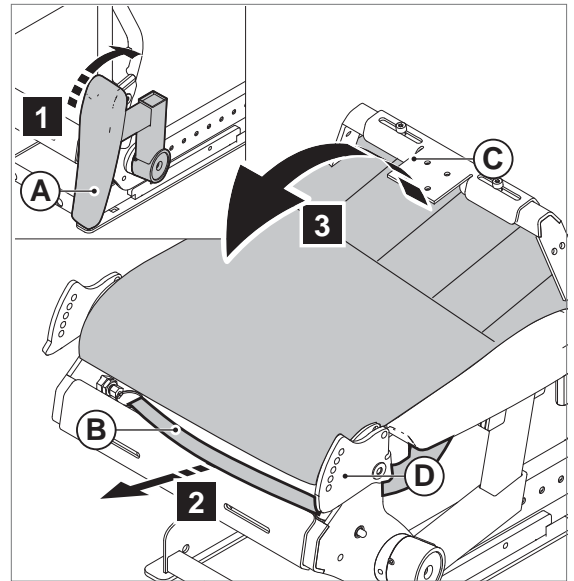
Note!

After hearing a click, the legrest is locked into place.

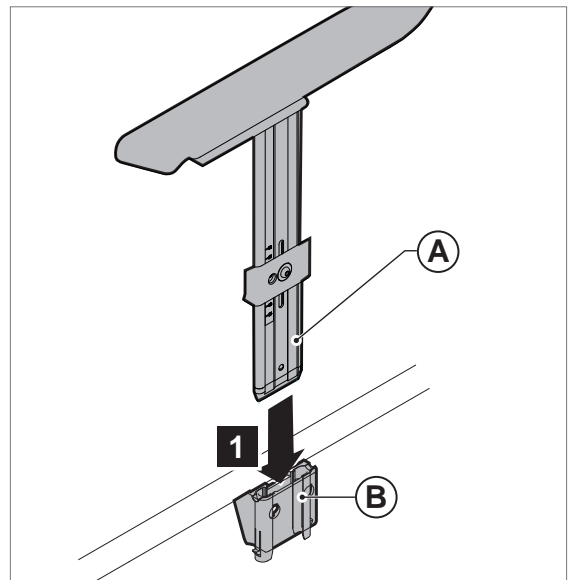


Positioning the backrest for use

1. Flip up the armrests (A).
2. Pull (B) and push (C) up.
3. Release (B) in the correct angle (D).
4. Flip down the armrests (A).

**Positioning the armrest assembly (option)**

1. Slide (A) onto (B).



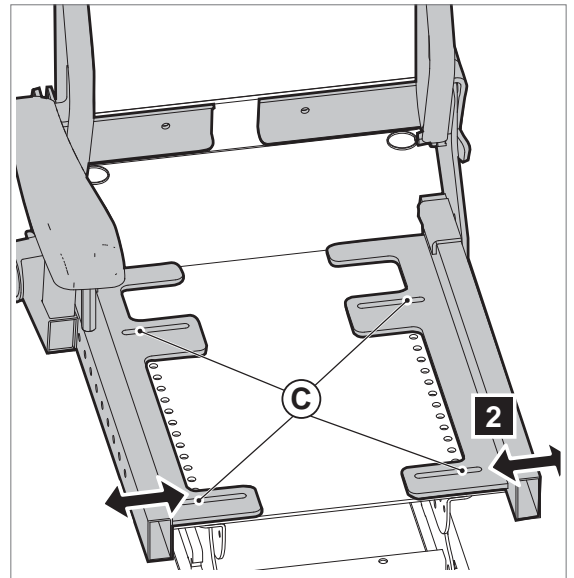
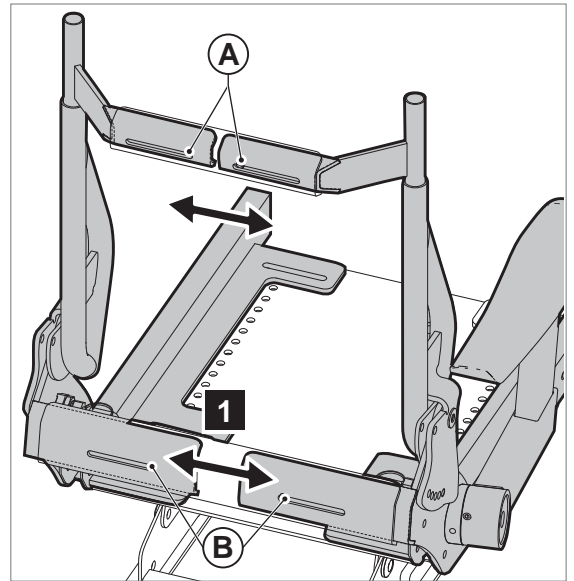
5 Seating system adjustments (to be carried out by a professional)

5.1 Seat width

1. Loosen (A), (B) and (C) by one turn.
2. Adjust to the desired seat width.
3. Tighten (A), (B) and (C).

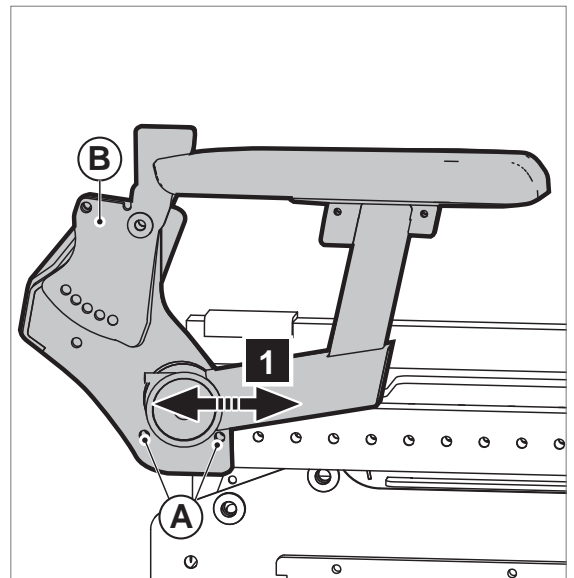
Note!

First adjust one side, then the other side.



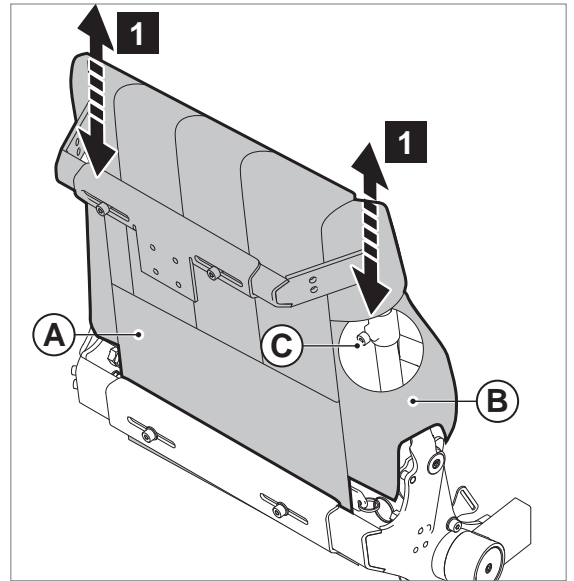
5.2 Seat depth

1. Loosen (A).
2. Slide (B) to the desired position.
3. Tighten (A).



5.3 Backrest height

1. Remove (A).
2. Loosen (B) to get access to (C) on both sides.
3. Loosen (C) on both sides by one turn.
4. Adjust to desired position on both sides.
5. Tighten (C) on both sides.

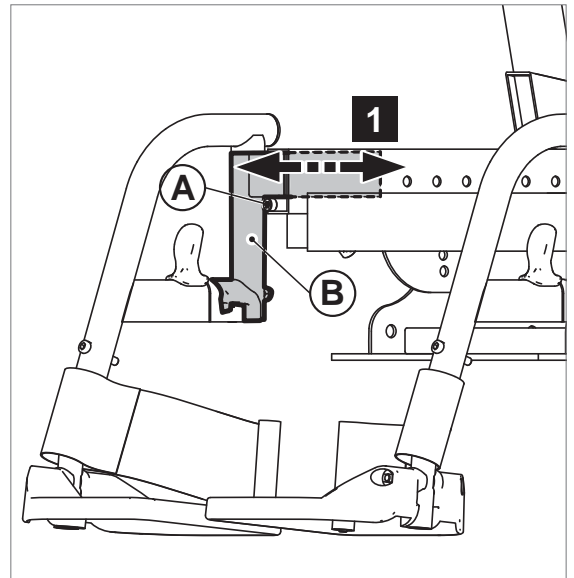


5.4 Legrests

Legrest depth

The depth of the legrest can be adjusted or the legrest fitting can be removed.

1. Loosen (A).
2. Pull or push (B) to the desired position.
3. Tighten (A).



Warning!

The leg support fitting must not be pulled out more than 5 cm.

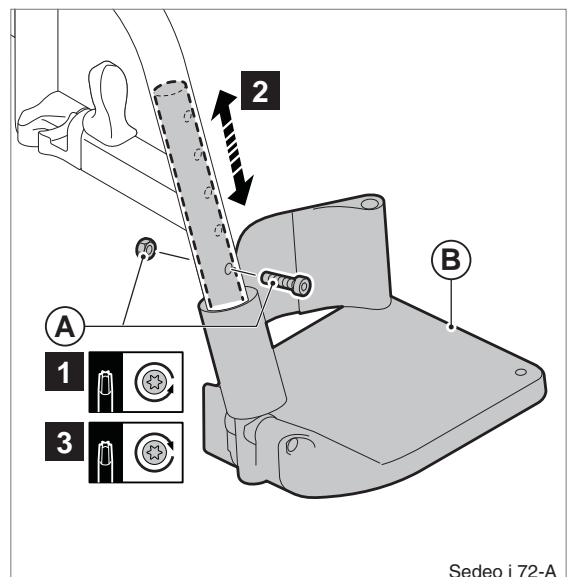
Standard legrest with heel strap and manually elevating legrest with calf support

Lower leg length

1. Loosen and remove (A).
2. Slide (B) into the desired position.
3. Replace and tighten (A).

Note!

Ensure that there is sufficient free space under (B) for the wheelchair to drive over obstacles.



Standard legrest and manually elevating legrest

Lower leg length

1. Loosen the setscrew (A) a few turns with a 4 mm Allen key.
2. Slide the footplate (B) in the desired position.
3. Tighten the setscrew (A) securely.

⚠ Caution!

Ensure that there is sufficient free space under (B) for the wheelchair to drive over obstacles.

Footplate depth

The footplate is secured asymmetrically. The left and right footplate can be exchanged.

1. Loosen the setscrew (A) with a 4 mm Allen key.
2. Remove the footplate together with the profile.
3. Slide the footplate in the top tube of the other legrest.
4. Tighten the setscrew (A) securely.

⚠ Caution!

Make sure that the castor wheels do not touch the footplates when manoeuvring. If this is the case, the legrests must be brought forward. There must be at least 1 cm between the castor wheels and the footplates.

Footplate angle

1. Loosen the Allen bolt (C) a few turns with a 6 mm Allen key, so that the teeth of the hinge come completely free.
2. Adjust the desired footplate angle and push the hinge manually together again.
3. Tighten the Allen bolt (C) securely.

5.5 Armrest assembly

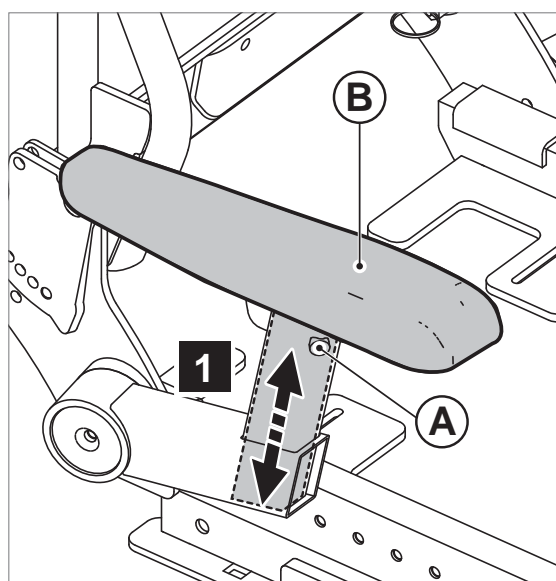
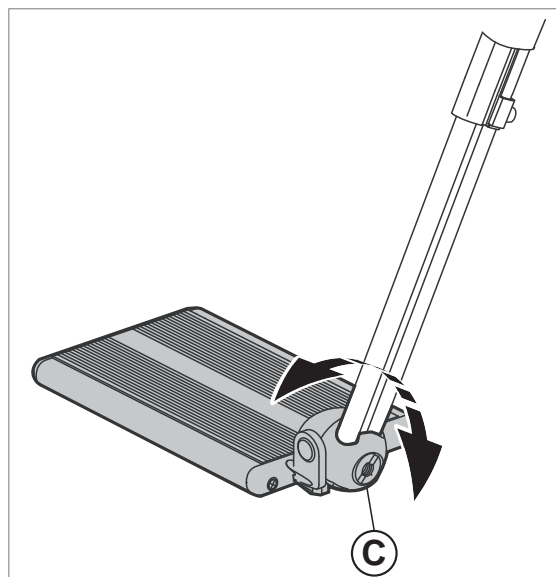
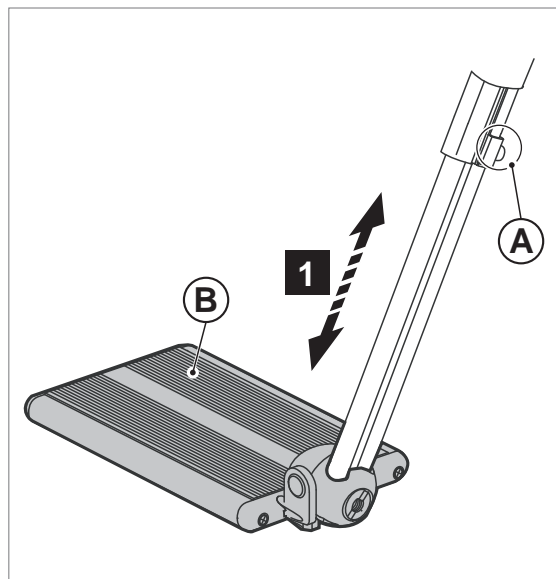
Flip-up armrest

Armrest height (1)

1. Loosen (A) by one turn.
2. Adjust (B) to the desired position.
3. Tighten (A).

Note!

Ensure that the arms are supported well, without the shoulders being pushed upwards.

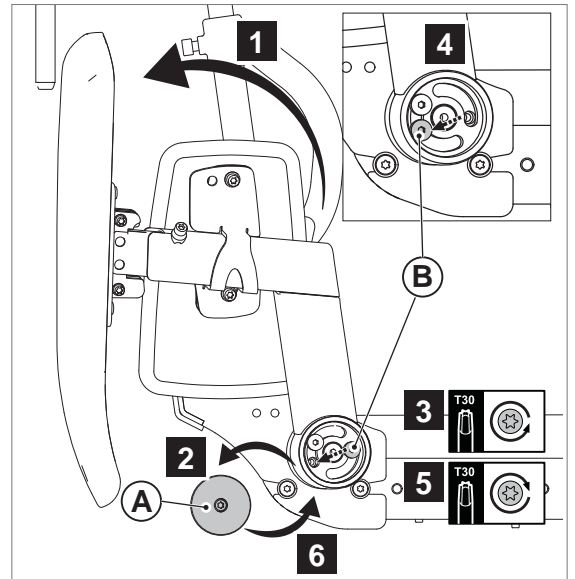


Armrest height (2)

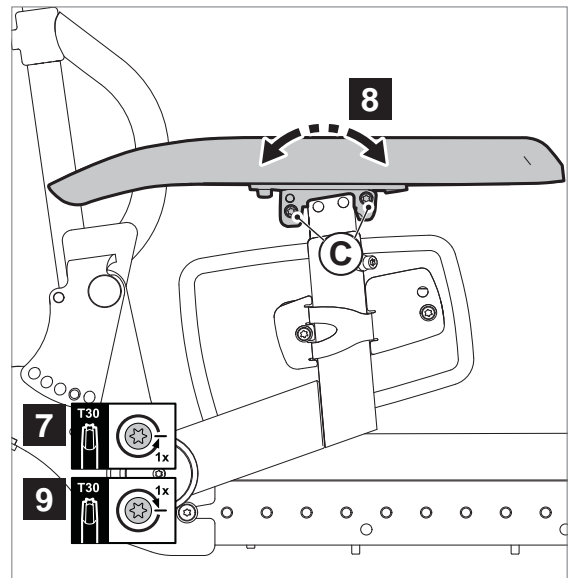
1. Flip up the armrest
2. Remove the cover (A)
3. Unscrew (B)
4. Move (B) to new position
5. Tighten (B)
6. Position (A) back and tighten

Note!

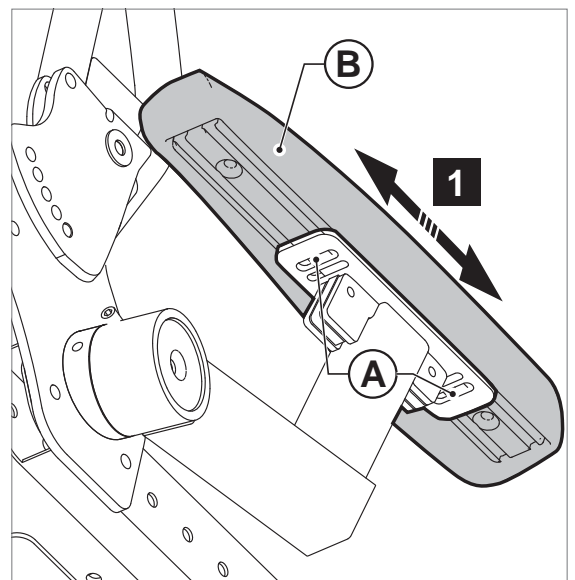
Ensure that the arms are supported well, without the shoulders being pushed upwards.

**Angle of armrest pad**

7. Loosen (C).
8. Adjust angle to desired position.
9. Tighten (C)

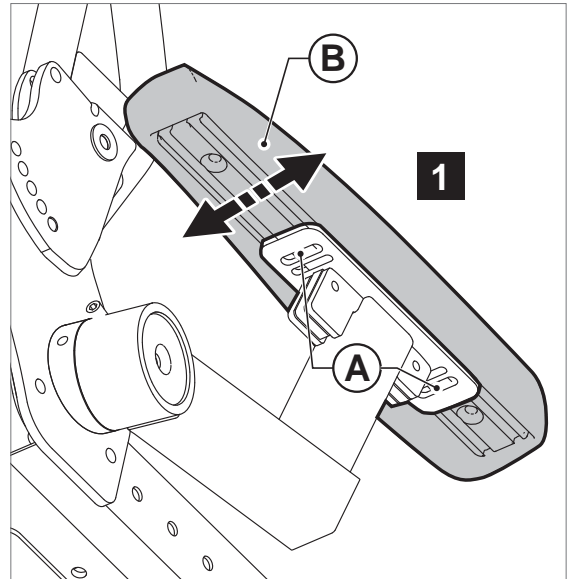
**Armrest depth**

1. Loosen (A) by one turn.
2. Slide (B) into the desired position.
3. Tighten (A).



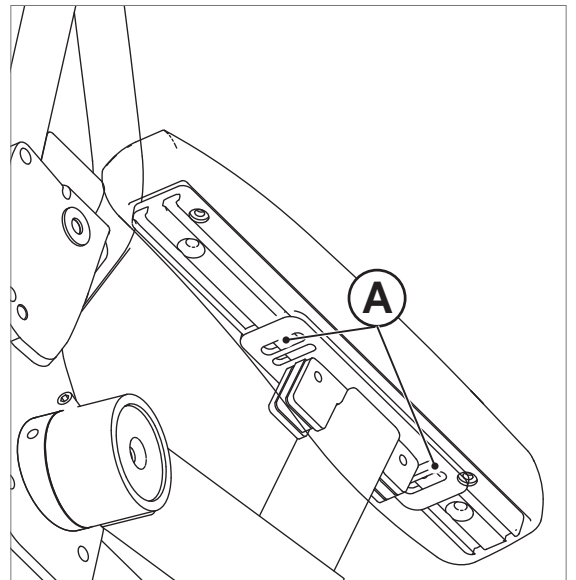
Armrest width (1)

1. Loosen (A).
2. Adjust (B) to desired position



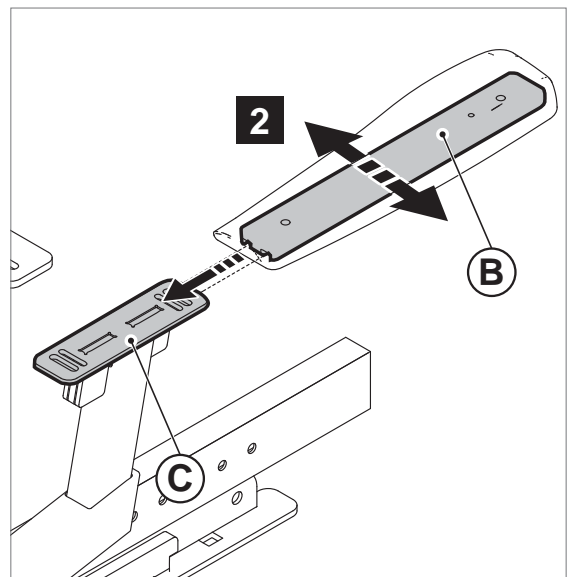
Armrest width (2)

1. Loosen (A).



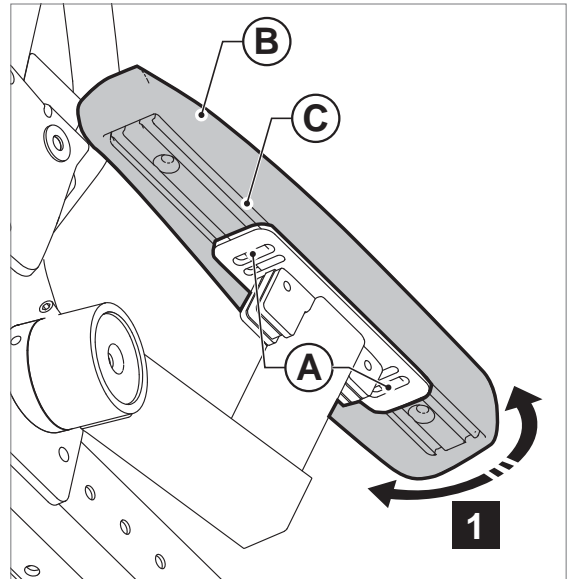
To position:

2. Slide the clamp (B) onto the desired position of (C).
3. Tighten (A)

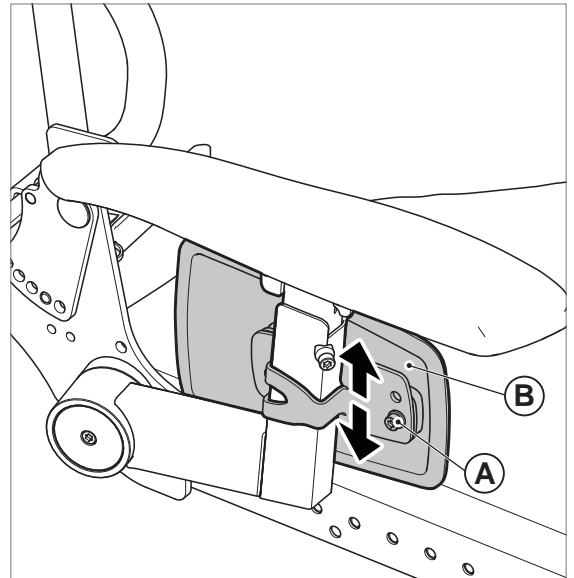


Armrest horizontal angle

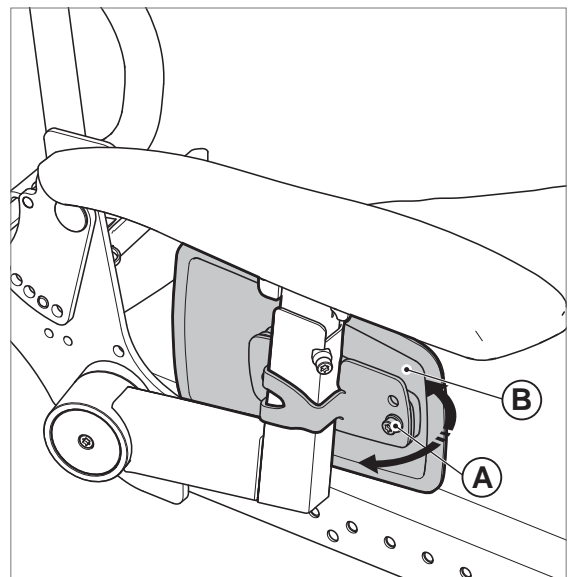
1. Loosen (A).
2. Adjust (B) to desired position
By positioning (A) into different sliders of (C) an additional horizontal angle can be achieved

**Side plate height**

1. Loosen (A).
2. Adjust (B) to desired position
3. Tighten (A)

**Side plate angle**

1. Unscrew (A)
2. Move (B) to align with desired hole and move screw (A) to desired hole
3. Tighten (A)



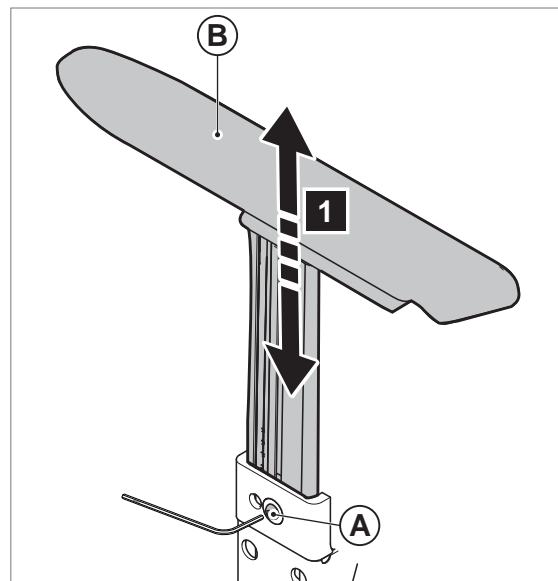
Removable armrest (option)

Armrest height

1. Loosen (A).
2. Adjust (B) to the desired position.
3. Tighten (A).

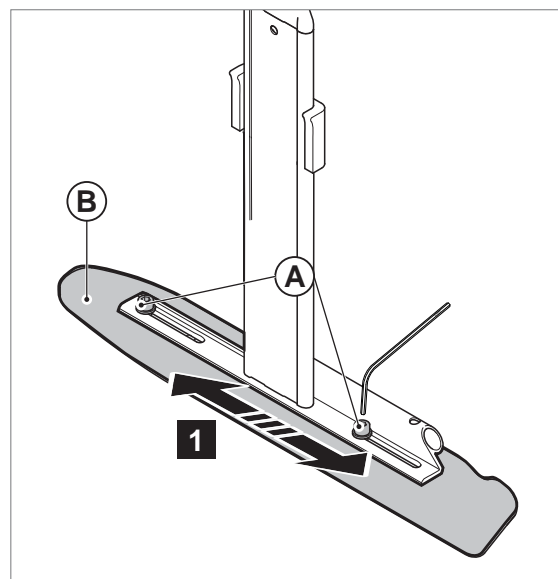
Note!

Ensure that the arms are supported well, without the shoulders being pushed upwards.



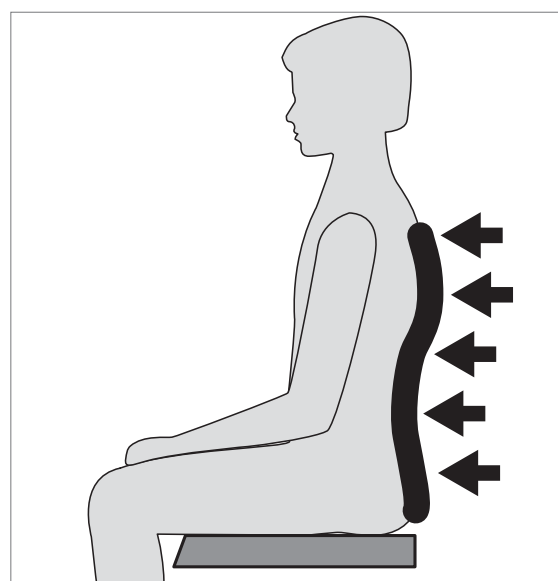
Armrest depth

1. Loosen (A) by one turn.
2. Slide (B) into the desired position.
3. Tighten (A).

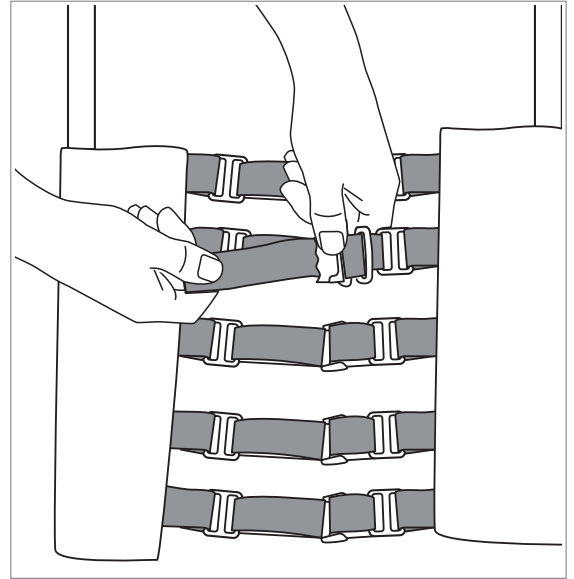


5.6 Back curvature adjustment

1. Slacken all the straps a little before you begin to adjust the backrest. Start the adjustments with the lowest straps and work upwards



- Tighten or loosen the straps so that the user gets the maximum comfort and support



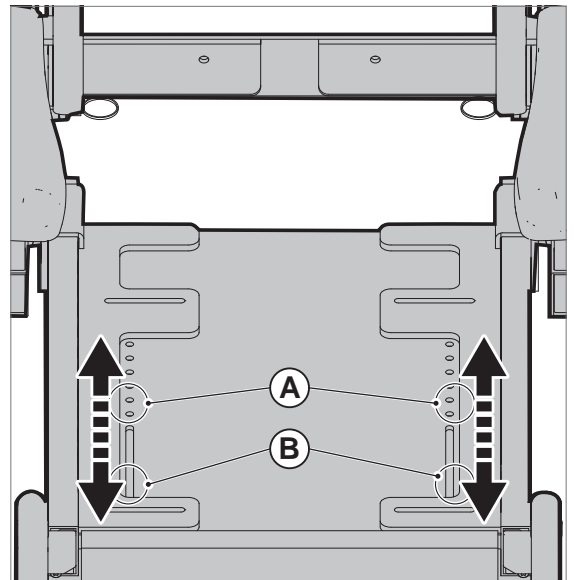
5.7 Adjusting the centre of gravity



Warning!

The stability of the wheelchair is influenced by the adjustment of the seating system's centre of gravity. Such adjustments should be made by professionals only.

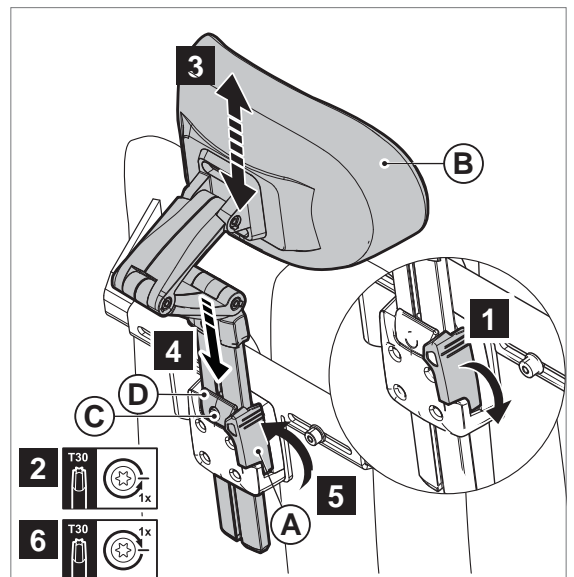
- Loosen (A).
- Loosen (B) by one turn.
- Pull or push the seating system to the correct position.
- Screw (A) into the new hole/position, ensure that the hole correspond with the hole in the below seat frame.
- Tighten (B).



5.8 Headrest

Adjusting the memory setting / headrest height

- Flip (A) down.
- Loosen (C) by one turn.
- Slide (B) into the desired position.
- Slide (D) as far down as possible.
- Flip (A) up and lock.
- Tighten (C).

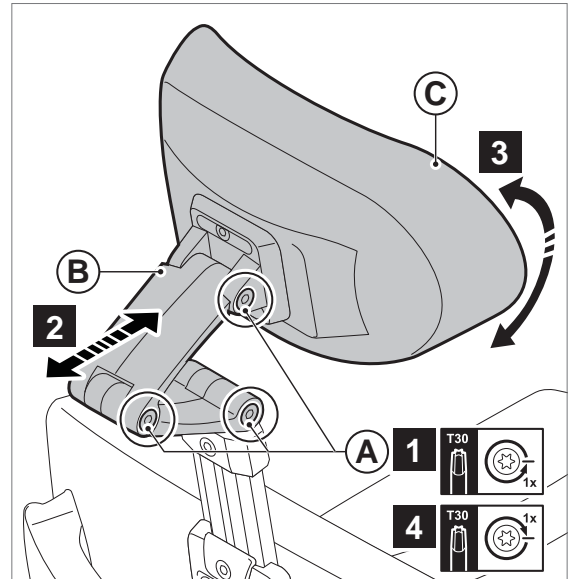


Headrest position

1. Loosen (A) by one turn.
2. Adjust (B) to the desired position.
3. Tighten (A).

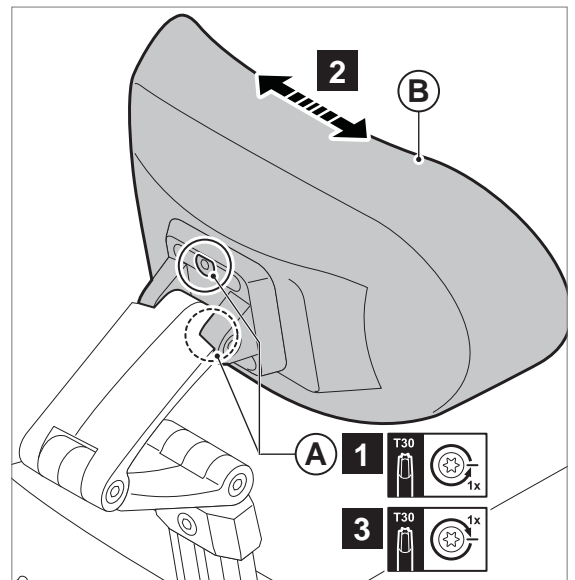
Note!

Correct the headrest height and tilt the headrest cushion as required.



Headrest cushion width

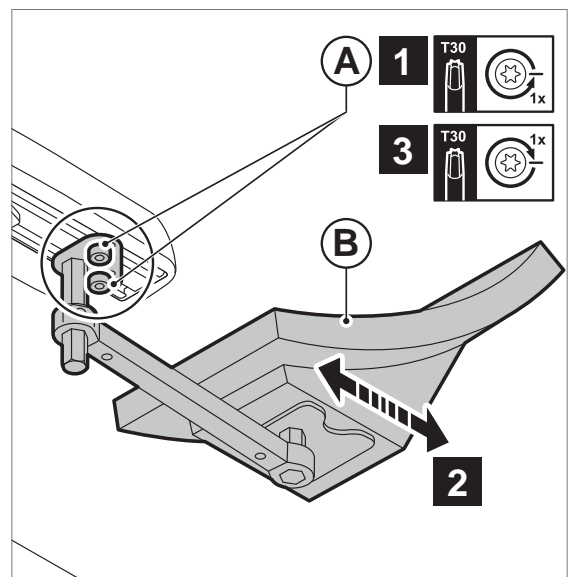
1. Loosen (A) by one turn.
2. Slide (B) into the desired position.
3. Tighten (A).



5.9 Fixed / swing away controller bracket

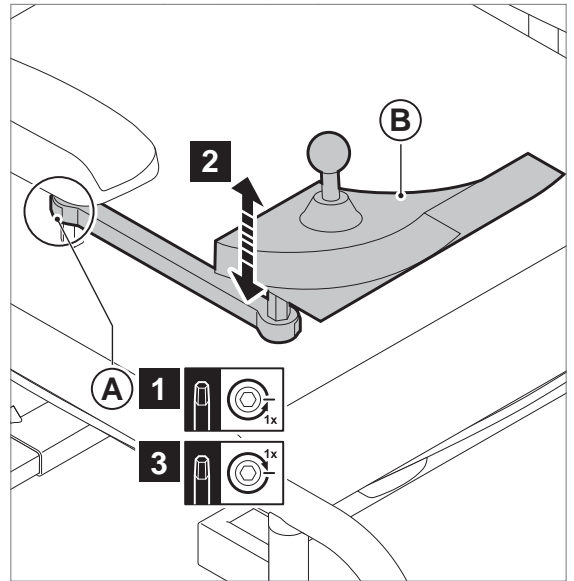
Depth

1. Loosen (A) by one turn.
2. Slide (B) into the desired position.
3. Tighten (A).



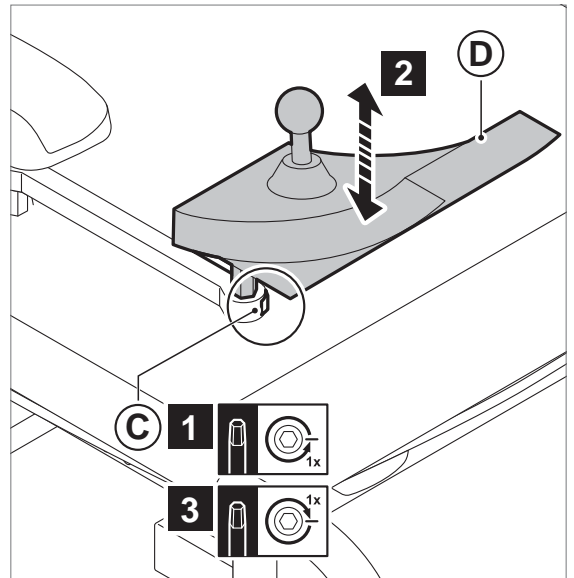
Height (1)

1. Loosen (A) by one turn.
2. Slide (B) into the desired position.
3. Tighten (A).



Height (2)

1. Loosen (C) by one turn.
2. Slide (D) into the desired position.
3. Tighten (C).

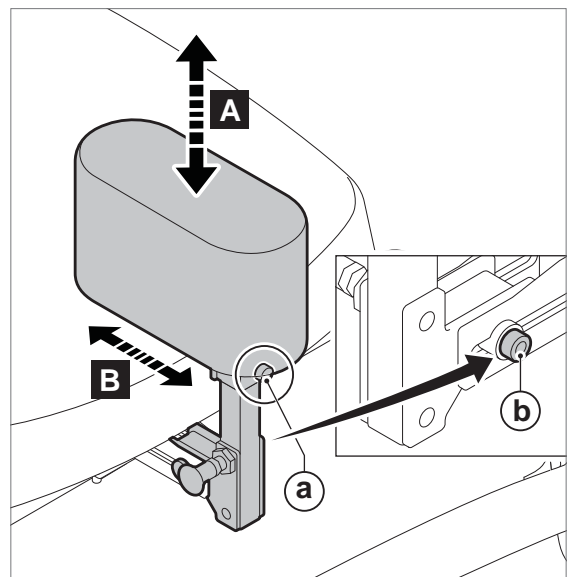


5.10 Abduction support

Adjust the abduction support as follows:

1. Loosen the Torx screw.
2. Adjust the part to the desired position.
3. Tighten the Torx screw.

- A/a. Height adjustment.
B/b. Depth adjustment.

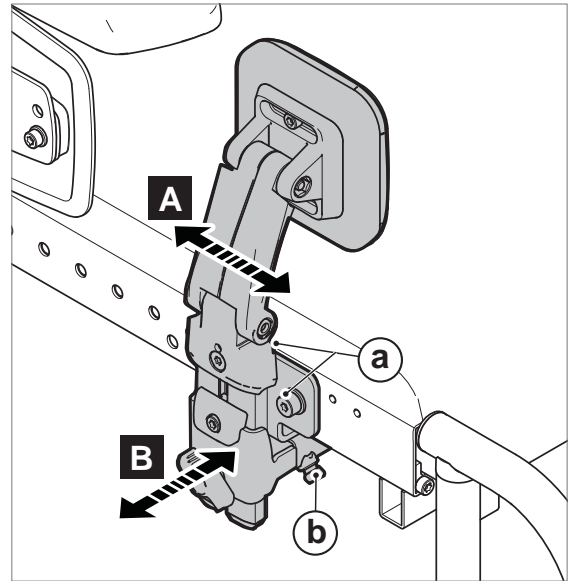


5.11 Thigh support

Adjust the thigh support as follows:

1. Loosen the Torx screw.
2. Adjust the part to the desired position.
3. Tighten the Torx screw.

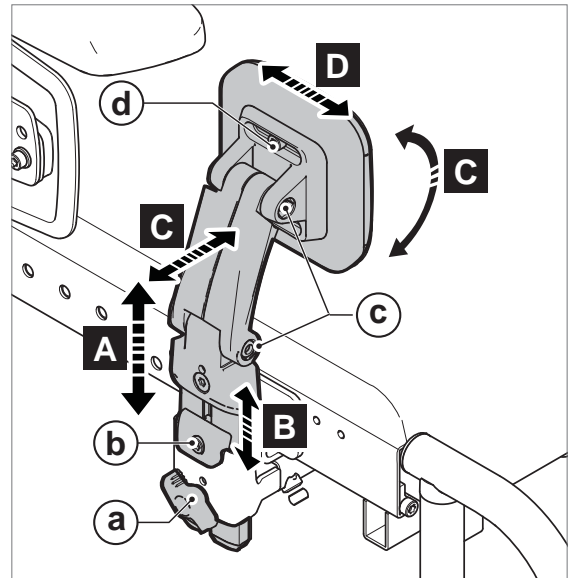
A/a. Depth adjustment
B/b. Width adjustment



A/a. Height adjustment
B/b. Memory setting adjustment
C/c. Bracket position adjustment
D/d. Cushion position adjustment

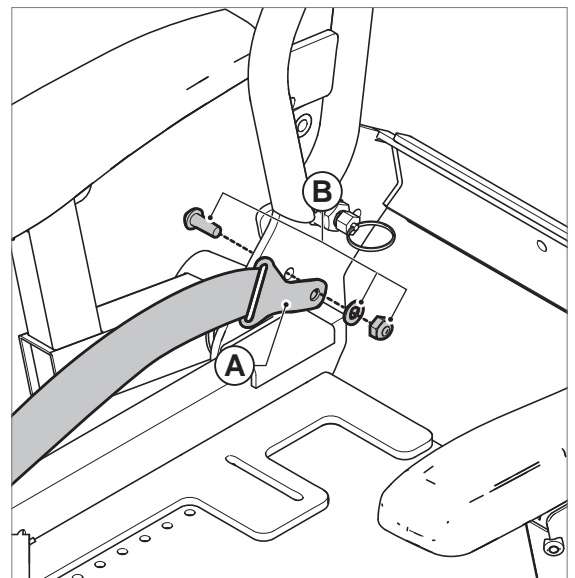
Tip!

The height adjustment can be fixed using the memory setting.



5.12 Attaching the lap strap

1. Attach (A), using (B), to the frame.



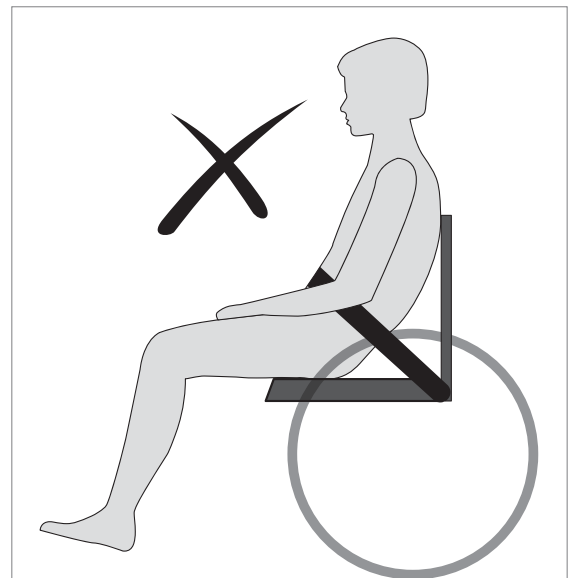
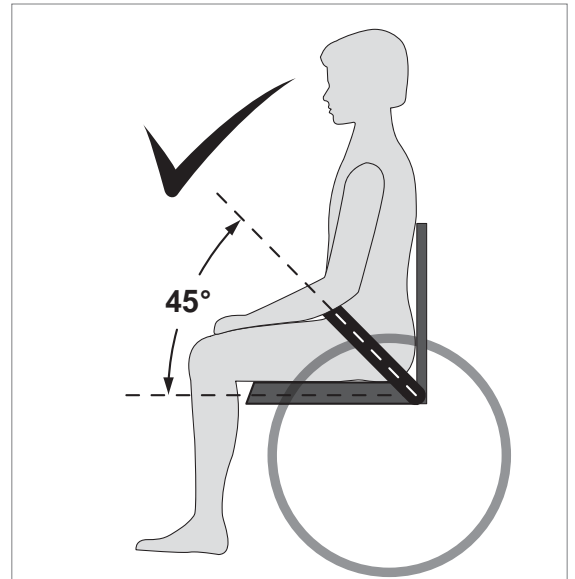
⚠ Warnings

Ensure that the lap strap is adjusted to the wheelchair user. The strap must fit snugly across the hips at an angle of approximately 45°.

Ensure that the strap is clean at all times and that the locking mechanism is working properly. The strap and the locking mechanism can be cleaned using a damp cloth.

If the strap is positioned above the hips and across the soft part of the user's belly, then this can result in seating posture being incorrect and the user slumping in the seat.

Never use the lap strap as a seatbelt when using transport.



6 Maintenance

It is recommended that you have your wheelchair serviced by your dealer once a year or, in the case of intensive use, once every six months.

6.1 Cleaning the upholstery

Clean the upholstery using a damp cloth and household soap. Then rub dry using a soft, dry cloth.

PU parts

Clean the armrests, side cushions etc. using a damp cloth and household soap. Then dry the parts using a soft cloth.

Armrest cushion upholstery

Covers are removable and washable.



Seat and backrest cushion upholstery

Covers are removable and washable. Follow the washing instructions on the covers (see figure)

Note!

Do not use organic solvents such as thinner, benzine or white spirit.

Do not chemically clean the upholstery. Do not iron or spin-dry the upholstery.

| |
|--|
|  |
| Stoff / Material: 100% Polyamid |
| Skum / Foam: 100% Polyurethane |
| Str./Size |
| 45X45 |
|  handicare |

7 Troubleshooting

If there is a problem with your seating system, contact your dealer.

8 Specifications

8.1 CE declaration of conformity



The product is in conformity with the provisions of the Medical Devices Directive and carries the CE mark.

The product also meets the following requirements and standards. This has been verified by independent test organizations.

1. EN 12183 (2009) Manual wheelchairs or EN 12184 (2009) Electrically powered wheelchairs.
2. ISO 7176-8 Requirements for impact, static and fatigue strength.
3. ISO 7176-9 Climatic tests for electric wheelchairs and scooters.
4. ISO 7176-16 Requirements for resistance to ignition of upholstered parts.
5. ISO 7176-19 Crash test.
6. EN-ISO 10993-5 (1999-11) Biological evaluation of medical devices.
7. EN 1021 1,2 Assessment of the ignitability of upholstered furniture. Ignition source: smouldering cigarette/match flame equivalent.


8.2 Technical information

| Seating system | | |
|---|--------------|--|
| User weight | kg (lbs.) | 136 (21.4) |
| Seat width | mm (inch) | 365 - 520 (14.4 - 20.5) |
| Seat depth | mm (inch) | 400 / 430 / 460 / 490 / 520 / 550 (15.7 / 16.9 / 18.1 / 19.3 / 20.5 / 21.7) |
| Point of gravity adjustment range | mm (inch) | 0 / 20 / 40 / 60 (0 / 0.8 / 1.6 / 2.4) |
| Backrest | | |
| Backrest height (from seat plate) | mm (inch) | 480 - 620 (18.9 - 24.4) |
| Backrest angle | ° | 90 / 98 / 106 / 114 / 122 |
| Armrest adjustment | | |
| Armrest pad width | mm (inch) | +20 (0.8) per side |
| Armrest pad height | mm (inch) | 210 - 345 (8.3 - 13.6) |
| Armrest pad depth with joystick bracket | mm (inch) | 110 (4.3) |
| Armrest pad depth without joystick bracket | mm (inch) | 160 (6.3) |
| Standard legrest with heel strap (set) | | |
| Lower leg length (with compressed seat cushion) | mm (inch) | 325 / 350 / 375 / 400 / 425 (12.8 / 13.8 / 14.8 / 15.7 / 16.7) |
| Knee angle | ° | 70 |
| Manually elevating legrest with calf support (set) | | |
| Lower leg length (with compressed seat cushion) | mm (inch) | 325 / 350 / 375 / 400 / 425 / 450 / 475 / 500 (12.8 / 13.8 / 14.8 / 15.7 / 16.7 / 17.7 / 18.7 / 19.7) |
| Knee angle | ° | 75 - 10 |
| Ankle angle | ° | 0 - 180 |

| | | |
|---|-----------|-------------------------|
| Calf support width | mm (inch) | 50 (2) |
| Calf support height | mm (inch) | 250 (9.8) |
| Calf support depth | mm (inch) | 50 (2) |
| Calf support angle (flexible) | ° | 0 - 25 |
| Standard legrest (set) | | |
| Lower leg length (with compressed seat cushion) | mm (inch) | 395 - 565 (15.6 - 22.2) |
| Knee angle | ° | 70 |
| Ankle angle | ° | 0 - 180 |
| Elevating and electrical elevating legrest (set) | | |
| Lower leg length (with compressed seat cushion) | mm (inch) | 395 - 575 (15.6 - 22.6) |
| Knee angle | ° | 70 - 0 |
| Ankle angle | ° | 0 - 180 |
| Calf support height | mm (inch) | 120 (4.7) |
| Headrest | | |
| Headrest height (memory) | mm (inch) | 170 (6.7) |
| Headrest depth | mm (inch) | 180 (7.1) |
| Headrest vertical angle | ° | -45 - 45 |
| Controller bracket | | |
| Controller bracket height | mm (inch) | 60 (2.4) |
| Controller bracket depth | mm (inch) | 35 (1.4) |
| Controller bracket swing away | | |
| Controller bracket height | mm (inch) | 50 (2) |
| Controller bracket depth | mm (inch) | 35 (1.4) |
| Controller position angle | ° | 0 - 45 |

9. Provisions of warranty

The provisions of warranty and liability applicable to the seating system are identical to those incorporated in the wheelchair manual.

( Wheelchair)

Dealer:

Serial number:

