

IP Link Device Interface Communication Sheet

Revision: 2/26/2004

This document provides additional assistance with wiring your Extron IP Link enabled product to your device. Different components may require a different wiring scheme than those listed below.

For complete operating instructions, refer to the user's manual for the specific Extron IP Link enabled product or the controlled device manufacturers supplied documentation.

Device specifications:

Type Name: Video Projector
Manufacturer: Panasonic
Firmware version: N/A
Model(s): PT-L780NTU,PT-L780U,
& PT-L750U

Test setup:

Extron product: IPL T S2
Firmware version: 1.04
GVC version: 1.2
Compiler version: 1.0.9.0

Driver notes:

Driver is a beta version and has not been tested.

The projector can not receive the command for 10 seconds after the lamp is switched on. Wait 10 seconds before sending the command. (Based on the control protocol).

Sending queries to projector while shutter (mute) is on breaks the mute state. Therefore version 3 of the driver only sends queries when shutter is off. This means that while shutter is on no other status is updated.

According to the User Manual Aspect Ratio is only supported for Video or S-Video but not for RGB, this is not consistent with what the control protocol says. Actual results (as tested on PT-L780U) are in line with the User Manual and that's what this driver is based on.

The Control Protocol was off by 1 for all Aspect Ratio commands for example, it says the command should be VS1:0 for Aspect Ratio 4:3 while actual results showed this not to be the case and the command should be VS1:1. Our driver is based on actual results as tested on PT-L780U.

Control commands & states:

Power control	On	Off	
Input control	DVI	Video	RGB 1
	NT	S-Video	RGB 2
	SD		RGB 3
Volume control	+	-	
Shutter	Shutter On	Shutter Off	
Aspect ratio (Video)	4:3	16:9	S4:3

**IP Link Device Interface
Communication Sheet**

Revision: 2/26/2004

Aspect ratio (S-Video)	Auto	4:3
	16:9	S4:3
Freeze control	Freeze on	Freeze off

Status available:

Power status	Lamp On	Lamp Starting	Lamp Turning Off
	Lamp Off	Status Unavailable	
Lamp usage time	Lamp time		
Input control	Input 1	Input 2	Input 3
Connection status	Connected	Disconnected	
Shutter	Shutter On	Shutter Off	
Aspect ratio (Video)	4:3	16:9	S4:3
Aspect ratio (S-Video)	Auto	4:3	
	16:9	S4:3	
Freeze control	Freeze on	Freeze off	

Cable and adapter requirements for Extron Electronics products:

M/F RS-232 Straight Modem Serial Cable (Part number 26-433-03)

Notes for devices:

IP Link Device Interface Communication Sheet

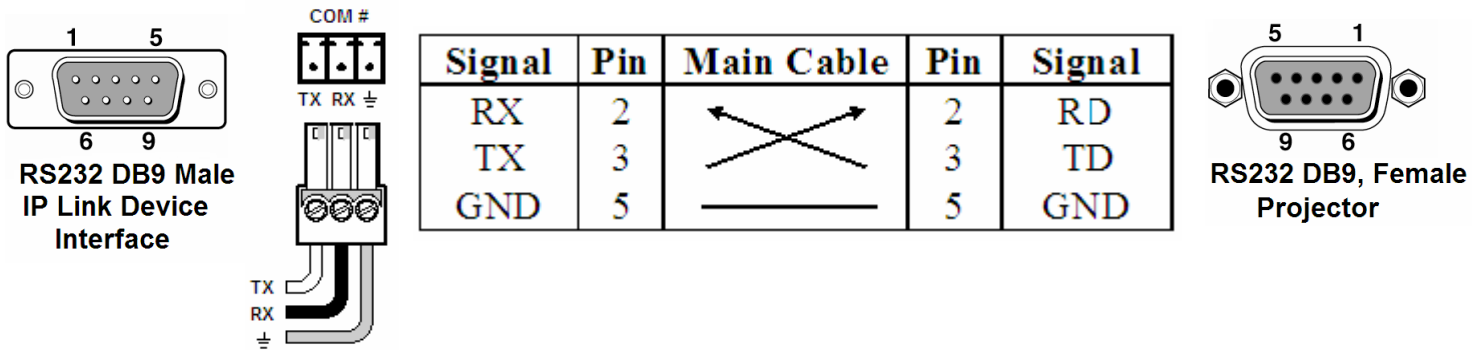
Revision: 2/26/2004

Serial communication:

Port Type: RS-232 DB9, Female
Baud Rate: 9600
Data Bits: 8 bit

Parity: None
Stop Bits: 1 bit
Flow Control: None

Pin assignments diagram:



Note: Captive screw may be used for RS232 serial connection.

General notes:

Revision notes:

- Version 1:** Tested on product. Power status issues discovered when driver was used with System 5 IP.
- Version 2:** Issues identified in Version 1 were addressed. Tested in field. Issues with shutter state and queries identified not for this but for the 735U driver which uses the same protocol. Therefore this driver also updated and these issues were addressed in version 3.
- Version 3:** Beta, Not retested on product.