



## FOR PERFECT RESULTS

Thank you for choosing this AEG product. We have created it to give you impeccable performance for many years, with innovative technologies that help make life simpler – features you might not find on ordinary appliances. Please spend a few minutes reading to get the very best from it.

## ACCESSORIES AND CONSUMABLES

In the AEG webshop, you'll find everything you need to keep all your AEG appliances looking spotless and working perfectly. Along with a wide range of accessories designed and built to the high quality standards you would expect, from specialist cookware to cutlery baskets, from bottle holders to delicate laundry bags...



Visit the webshop at:  
[www.aeg-electrolux.com/shop](http://www.aeg-electrolux.com/shop)

# CONTENTS

- 4 Safety information
- 7 Product description
- 7 Control panel
- 9 Use of the appliance
- 10 Setting the water softener
- 11 Use of dishwasher salt
- 12 Use of detergent and rinse aid
- 13 Multitab function
- 13 Loading cutlery and dishes
- 16 Washing programmes
- 17 Select and start a washing programme
- 19 Care and cleaning
- 20 What to do if...
- 23 Technical data
- 23 Environment concerns
- 24 Installation

The following symbols are used in this user manual:



Important information concerning your personal safety and information on how to avoid damaging the appliance.



General information and tips



Environmental information

Subject to change without notice



## SAFETY INFORMATION

Before the installation and use, read this manual carefully:

- For your safety and the safety of your property.
- To help the environment.
- For the correct operation of the appliance.

Always keep these instructions with the appliance also if you move or give it to a different person.

The manufacturer is not responsible if an incorrect installation and use causes damage.

### Children and vulnerable persons safety

- Do not let persons, children included, with reduced physical sensory, reduced mental functions or lack of experience and knowledge to use the appliance. They must have supervision or instruction for the operation of the appliance by a person who is responsible for their safety.
- Keep all packaging away from children. There is the risk of suffocation or injury.
- Keep all detergents in a safe area. Do not let the children touch the detergents.
- Keep children and pets away from the appliance when the door is open.

### General safety

- Do not change the specifications of this appliance. There is the risk of injury and damage to the appliance.
- Obey the safety instructions from the detergent manufacturer to prevent burns to eyes, mouth and throat.
- Do not drink the water from the appliance. Particles of detergent can stay in your appliance.
- Do not keep the appliance door open without supervision. This to prevent injury and to fall on an open door.
- Do not sit or stand on the open door.

### Use

- The appliance is only for domestic use. Do not use the appliance for other uses to prevent injury to persons and damage to property.
- Only use the appliance to clean accessories that are applicable for dishwashers.
- Do not put flammable products or items that are wet with flammable products in, near or on the appliance. Risk of explosion or fire.
- Put the knives and all items with sharp points in the cutlery basket with their points down. If not, put in a horizontal position in the upper basket or in the knife basket. (Not all models have the knife basket).
- Use only specified products for dishwashers (detergent, salt, rinse aid).
- Types of salt that are not specified for dishwashers can cause damage to the water softener.
- Fill the appliance with salt before you start a washing programme. Remaining salt in the appliance can cause corrosion or make a hole in the bottom of the appliance.

- Do not fill the rinse aid dispenser with other products than the rinse aid, (dishwasher cleaning agent, liquid detergent). This can cause damage to the appliance.
- Make sure that the spray arms can move freely before you start a washing programme.
- The appliance can release hot steam if you open the door while a washing programme operates. There is a risk of skin burns.
- Do not remove the dishes from the appliance until the washing programme is completed.

## Care and cleaning

- Before you clean the appliance, deactivate it and disconnect the mains plug from the mains socket.
- Do not use flammable products or products that can cause corrosion.
- Do not use the appliance without the filters. Make sure that the installation of the filters is correct. An incorrect installation causes unsatisfactory washing results and damage to the appliance.
- Do not use spray water or steam to clean the appliance. Risk of electrical shock and damage to the appliance.

## Installation

- Make sure that the appliance is not damaged. Do not install or connect a damaged appliance, contact the supplier.
- Remove all packaging before you install and use the appliance.
- Only a qualified person must do the electrical connection, the plumbing and the installation of the appliance. This to prevent the risks of structural damage or injury.
- Make sure that the mains plug is disconnected from the mains socket during installation.
- Do not drill into the sides of the appliance to prevent damage to hydraulic components and electrical components.

## Frost precautions

- Do not install the appliance where the temperature is less than 0 °C.
- The manufacturer is not responsible for frost damage.

## Water connection

- Use new hoses to connect the appliance to the water supply. Do not use used hoses.
- Do not connect the appliance to new pipes or pipes not used for a long time. Let the water flow for some minutes, then connect the inlet hose.
- Make sure not to squash or cause damage to the water hoses when you install the appliance.
- Make sure that the water couplings are tight to prevent a water leakage.
- The first time you use the appliance, make sure that the hoses do not have water leaks.

## Electrical connection

- The appliance must be earthed.
- Make sure that the electrical information on the rating plate agrees with the power supply.

- Always use a correctly installed shockproof socket.
- Do not use multiple plugs and extension cables. There is a risk of fire.
- Do not replace or change the mains cable. Contact the service centre.
- Make sure not to squash or cause damage to the mains plug and cable behind the appliance.
- Make sure that there is access to the mains plug after the installation.
- Do not pull the mains cable to disconnect the appliance. Always pull the mains plug.
- The appliance has a 13 amp mains plug. If it is necessary to change the fuse in the mains plug, use a 13 amp ASTA (BS 1362) fuse.

## Service centre

- Only a qualified person can repair or work on the appliance. Contact the service centre.
- Use only original spare parts.

## To discard the appliance

- To prevent the risk of injury or damage:
  - Disconnect the mains plug from the mains socket.
  - Cut off the mains cable and discard it.
  - Remove the door catch. This prevents children or pets to be closed in the appliance. There is a risk of suffocation.
  - Discard the appliance at the local waste disposal centre.

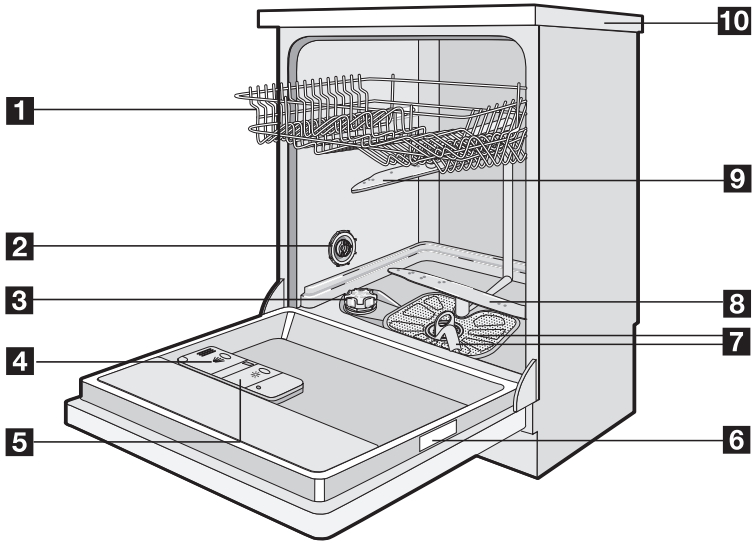


### **WARNING!**

The dishwasher detergents are dangerous and can cause corrosion !

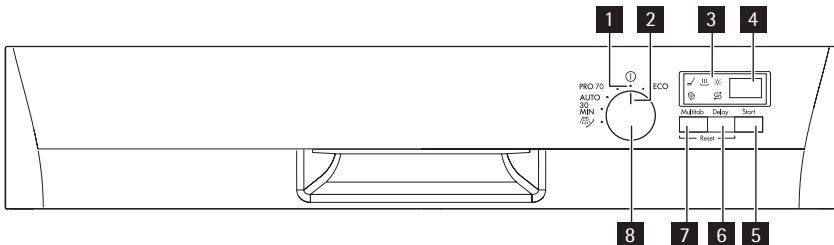
- If an accident occurs with these detergents, contact immediately a physician.
- If the detergent gets into the mouth, contact immediately a physician.
- If the detergent gets into the eyes, contact immediately a physician and clean the eyes with water.
- Keep dishwasher detergents in a safe area and out of children touch.
- Do not keep the appliance door open when there is detergent in the detergent dispenser.
- Fill the detergent dispenser only before you start a washing programme.

## PRODUCT DESCRIPTION








- 1** Upper basket
- 2** Water hardness dial
- 3** Salt container
- 4** Detergent dispenser
- 5** Rinse aid dispenser
- 6** Rating plate
- 7** Filters
- 8** Lower spray arm
- 9** Upper spray arm
- 10** Worktop

## CONTROL PANEL



- 1 Off position
- 2 Programme marker
- 3 Indicators
- 4 Display
- 5 Start button
- 6 Delay button
- 7 Multitab button
- 8 Programme knob

Indicators	
	The indicator comes on when the washing and rinsing phases operate.
	The indicator comes on when the dry phase operates.
	The indicator comes on when it is necessary to fill the rinse aid dispenser. <sup>1)</sup>
	The indicator comes on when it is necessary to fill the salt container. <sup>1)</sup> After you fill the container, the salt indicator can stay on for some hours. This does not have an unwanted effect on the operation of the appliance.
	The indicator comes on when you activate the multitab function.

1) When the salt and/or rinse aid containers are empty, the related indicator lights do not come on while a washing programme operates.

## Display

The display shows:

- The electronic adjustment of the level of the water softener
- The activation and deactivation of the rinse aid dispenser (only with the multitab function on)
- The time of the washing programme
- The remaining time to the end of the washing programme
- The end of a washing programme (the display shows a zero)
- The time of the delay start
- The alarm codes.

## Start button

Press this button to start:

- The washing programme
- The countdown of the delay start.

## Delay button

Press this button again and again to delay the start of the washing programme from 1 to 19 hours.



## Multitab button

Press this button to activate or deactivate the multitab function (refer to 'Multitab function').

## Programme knob

With the programme knob you can:

- Activate and deactivate the appliance
- Set a washing programme
- Adjust electronically the level of the water softener (refer to 'Setting the water softener')
- Activate or deactivate the rinse aid dispenser (only with the multitab function on).

To activate the appliance and set a washing programme

Turn the programme knob until the programme marker is aligned with one of the washing programmes on the control panel.

- If the programme marker is aligned with a washing programme, the digital display shows the programme time.
- If the programme marker is not aligned with a washing programme, the display shows two horizontal status bars.

To deactivate the appliance

Turn the programme knob until the programme marker is aligned with the off position.

## Setting mode

The appliance must be in setting mode for these operations:

- To set and start a washing programme
- To set and start a delay start
- To adjust electronically the level of the water softener
- To deactivate or activate the rinse aid dispenser (only with the multitab function on).

Activate the appliance. The appliance is in setting mode when:

- The programme time flashes in the display
- One or more phase indicator lights come on.


Activate the appliance. The appliance is not in setting mode when:

- The washing programme time or the delay start time do not flash in the display
- One or more phase indicator lights come on.
  - It is necessary to cancel the programme or the delay start to go back to the setting mode (refer to 'Select and start a washing programme').

## USE OF THE APPLIANCE

1. Be sure that the set level of the water softener agrees with the water hardness in your area. If not, adjust the water softener.
2. Fill the salt container with dishwasher salt.
3. Fill the rinse aid dispenser with rinse aid.

4. Load cutlery and dishes into the appliance.
5. Set the correct washing programme for the type of load and soil.
6. Fill the detergent dispenser with the correct quantity of detergent.
7. Start the washing programme.

 If you use the combi detergent tablets ('3 in 1', '4 in 1', '5 in 1'), use the multitarb function (refer to 'Multitarb function').

## SETTING THE WATER SOFTENER

The water softener removes minerals and salts from the water supply. These minerals and salts can cause damage to the appliance.


Adjust the level of the water softener if this does not agree with the water hardness in your area.

Contact your local water authority to know the water hardness in your area.

Water hardness				Water hardness adjustment	
German degrees (°dH)	French degrees (TH°)	mmol/l	Clarke degrees	manually	electronically
51 - 70	91 - 125	9,1 - 12,5	64 - 88	2 <sup>1)</sup>	10
43 - 50	76 - 90	7,6 - 9,0	53 - 63	2 <sup>1)</sup>	9
37 - 42	65 - 75	6,5 - 7,5	46 - 52	2 <sup>1)</sup>	8
29 - 36	51 - 64	5,1 - 6,4	36 - 45	2 <sup>1)</sup>	7
23 - 28	40 - 50	4,0 - 5,0	28 - 35	2 <sup>1)</sup>	6
19 - 22	33 - 39	3,3 - 3,9	23 - 27	2 <sup>1)</sup>	5 <sup>1)</sup>
15 - 18	26 - 32	2,6 - 3,2	18 - 22	1	4
11 - 14	19 - 25	1,9 - 2,5	13 - 17	1	3
4 - 10	7 - 18	0,7 - 1,8	5 - 12	1	2
< 4	< 7	< 0,7	< 5	1 <sup>2)</sup>	1 <sup>2)</sup>

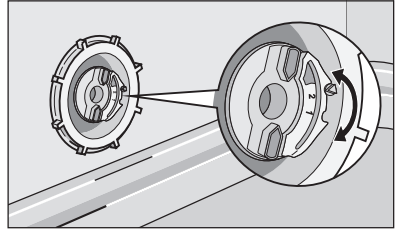
1) Factory position.

2) Do not use salt at this level.

 You must adjust the water softener manually and electronically.

## Manual adjustment

Turn the water hardness dial to the position 1 or 2 (refer to the table).



## Electronic adjustment

**i** Make sure that the appliance is deactivated.

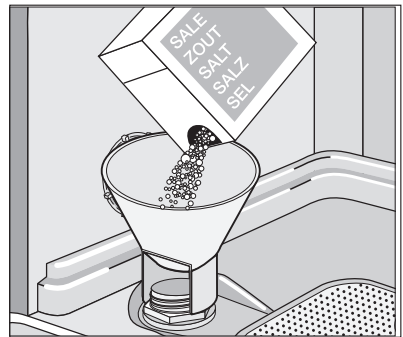
1. Press and hold the Multitab button .
2. Turn the programme knob counterclockwise until the programme marker is aligned with the first washing programme on the control panel.
3. Release the Multitab button when the display shows the set level of the water softener (example: the display shows **S L** = level 5).
4. Press the Multitab button again and again until the display shows the new level.
5. Deactivate the appliance to confirm the adjustment.

**i** If the water softener is set electronically to the level 1, the salt indicator light stays off.

## USE OF DISHWASHER SALT

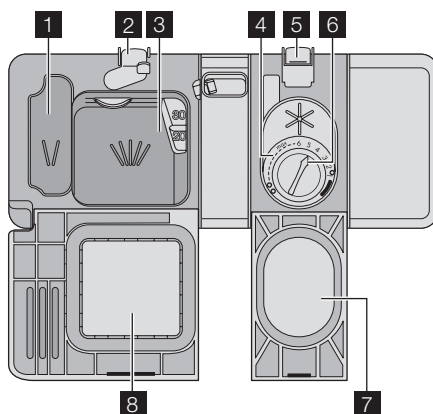
### How to fill the salt container

1. Turn the cap counterclockwise and open the salt container.
2. Fill the salt container with 1 litre of water (only for the first time you fill with salt).
3. Use the funnel to fill the salt container with salt.
4. Remove the salt around the opening of the salt container.
5. Turn the cap clockwise to close the salt container.



**i** It is correct that water comes out from the salt container when you fill it with salt.

## USE OF DETERGENT AND RINSE AID



### Use of detergent



To help the environment, do not use more than the correct quantity of detergent. Follow the detergent manufacturer recommendations on the detergent packaging.

Do these steps to fill the detergent dispenser:

1. Press the release button **2** to open the lid **8** of the detergent dispenser.
2. Put the detergent in the dispenser **3**.
3. If the washing programme has a prewash phase, put a small quantity of detergent in the prewash detergent compartment **1**.
4. If you use the detergent tablets, put the tablet in the detergent dispenser **3**.
5. Close the detergent dispenser. Press the lid until it locks into position.



Different brands of detergent dissolve in different times. Some detergent tablets do not have the best cleaning results during short washing programmes. Use long washing programmes when you use the detergent tablets to fully remove the detergent.

### Use of rinse aid



Rinse aid makes it possible to dry the dishes without streaks and stains. The rinse aid dispenser automatically adds rinse aid during the last rinsing phase.

Do these steps to fill the rinse aid dispenser:

1. Press the release button **5** to open the lid **7** of the rinse aid dispenser.
2. Fill the rinse aid dispenser **4** with rinse aid. The mark 'max' shows the maximum level.
3. Remove the spilled rinse aid with an absorbent cloth to prevent too much foam during the washing programme.
4. Close the rinse aid dispenser. Press the lid until it locks into position.

## Adjust the rinse aid dosage

Factory set: position 4.

You can set the rinse aid dosage between position 1 (lowest dosage) and position 6 (highest dosage).

Turn the rinse aid selector **6** to increase or decrease the dosage.

## MULTITAB FUNCTION

The multitab function is for combi detergent tablets.

These tablets contain agents as detergent, rinse aid and dishwasher salt. Some types of tablets can contain other agents.

Be sure that these tablets are applicable for the water hardness in your area (refer to the instructions on the packaging of the products).

The multitab function deactivates the flow of rinse aid and salt.

The multitab function deactivates the indicators of salt and rinse aid.

The programme duration can increase if you use the multitab function.



Activate the multitab function before the start of a washing programme. You cannot activate the function when a washing programme operates.

To activate the multitab function

- Press the Multitab button, the multitab indicator comes on. The function is activated.
  - When you set the multitab function, it stays on until you deactivate it.

To deactivate the multitab function and use separately detergent, salt and rinse aid

1. Press the Multitab button, the multitab indicator goes off. The function is deactivated.
2. Fill the salt container and the rinse aid dispenser.
3. Adjust the water hardness to the highest level.
4. Start a washing programme without dishes.
5. Adjust the water softener to the water hardness in your area.
6. Adjust the quantity of rinse aid.

## LOADING CUTLERY AND DISHES

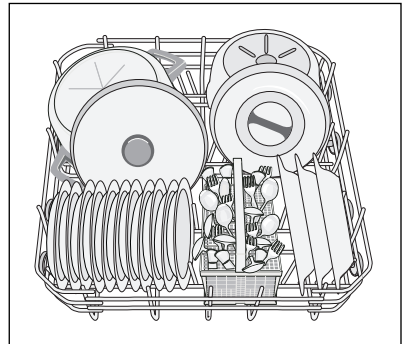
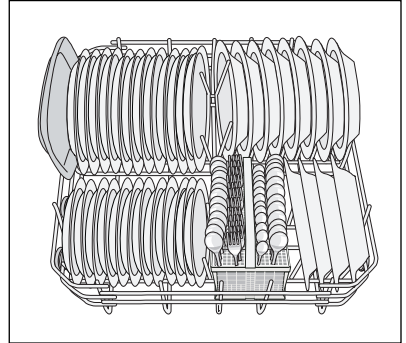
### Hints and tips

- Do not put in the appliance items that can absorb water (sponges, household cloths).
- Remove the remaining food from the items.
- Make soft the remaining burned food on the items.
- Put hollow items (cups, glasses and pans) with the opening down.
- Make sure that water does not collect in containers or in bowls.
- Make sure that cutlery and dishes do not bond together.
- Make sure that the glasses do not touch other glasses.
- Put small items in the cutlery basket.

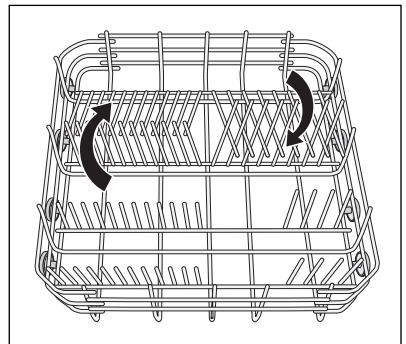
- Mix the spoons with other cutlery to prevent them to bond together.
- When you put the items in the baskets, make sure that the water can touch all surfaces.
- Put light items in the upper basket. Make sure that the items do not move.
- Water droplets can collect on plastic items and non-stick pans.

## Lower basket

Put the saucepans, lids, plates, salad bowls and cutlery in the lower basket. Put the service dishes and large lids around the edge of the basket.



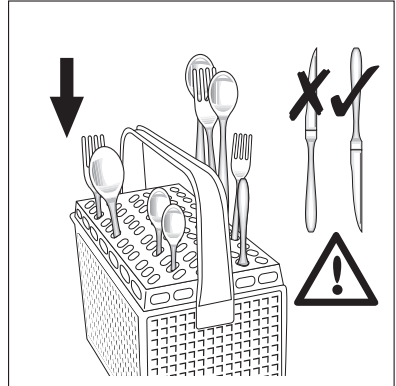
The rows of prongs in the lower basket can be flat to load pots, pans and bowls.



## The cutlery basket

Put the forks and spoons with the handles down.

Put the knives with the handles up.  
 Mix the spoons with other cutlery to prevent them to bond together.  
 Use the cutlery grid. If the dimensions of the cutlery prevent use of the cutlery grid, you can easily remove it.

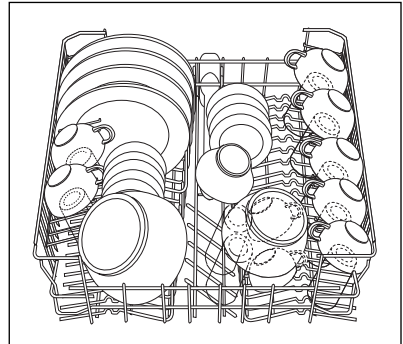


## Upper basket

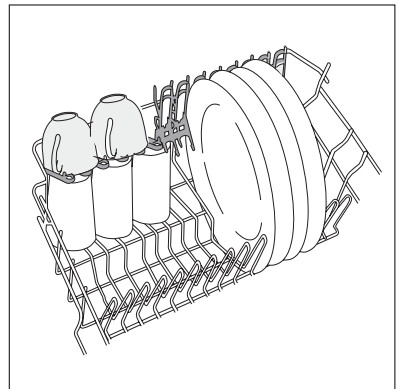
The upper basket is for plates (maximum 24 cm in diameter), saucers, salad bowls, cups, glasses, pots and lids. Arrange the items to let water touch all surfaces.



Prevent to put plates in the first three sectors in the front part of the basket. Make sure the plates tilt forward.



Put the glasses with long stems in the cup racks with the stems up. For longer items, fold the cup racks up.



## Adjustment of the height of the upper basket

You can put the upper basket in two positions to increase the load flexibility.

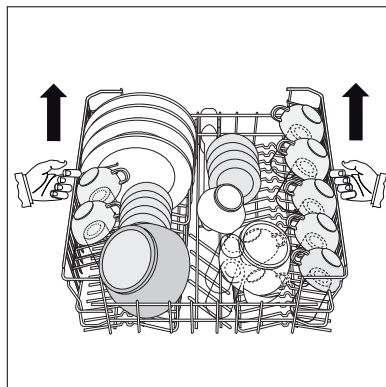
Maximum height of the dishes in:		
	the upper basket	the lower basket
Higher position	20 cm	31 cm
Lower position	24 cm	27 cm

Do these steps to move the upper basket to the higher position:

1. Pull the basket out until it stops.
2. Carefully lift the two sides until the mechanism is engaged and the basket is stable.

Do these steps to move the upper basket to the lower position:

1. Pull the basket out until it stops.
2. Carefully lift up the two sides.
3. Hold the mechanism and let it fall back down slowly.



### CAUTION!

- Do not lift or lower the basket on one side only.
- If the basket is in the upper position, do not put cups on the cup racks.

## WASHING PROGRAMMES


Programme	Type of soil	Type of load	Programme description
<b>PRO 70</b>	Heavy soil	Crockery, cutlery, pots and pans	Prewash Wash 70 °C Rinses Dry
<b>AUTO</b> 1)	All	Crockery, cutlery, pots and pans	Prewash Wash 45 °C or 70 °C Rinses Dry
<b>30 MIN</b> 2)	Fresh soil	Crockery and cutlery	Wash 60°C Rinse
	Use this programme to quickly rinse the dishes. This prevents the remaining food to bond on the dishes and bad odours to come out from the appliance. Do not use detergent with this programme		Rinse



Programme	Type of soil	Type of load	Programme description
<b>ECO</b> 3)	Normal soil	Crockery and cutlery	Prewash Wash 50 °C Rinses Dry

- 1) The appliance senses the type of soil and the quantity of items in the baskets. It automatically adjusts the temperature and quantity of the water, the energy consumption and the programme time.
- 2) With this programme you can wash a load with fresh soil. It gives good washing results in a short time.
- 3) This is the standard programme for test institutes. With this programme you have the most efficient use of water and energy consumption for crockery and cutlery with normal soil. Refer to the supplied leaflet for test information.

#### Consumption values

Programme <sup>1)</sup>	Energy (kWh)	Water (litre)
<b>PRO 70</b>	1,5-1,7	15-17
<b>AUTO</b>	1,1-1,7	11-22
<b>30 MIN</b>	0,9	9
	0,1	4
<b>ECO</b>	1,0-1,1	13-15

- 1) The display shows the programme time.



The water pressure and temperature, the variations of the mains supply and the quantity of dishes can change the consumption values.

## SELECT AND START A WASHING PROGRAMME

### Start the washing programme without delay start

1. Close the appliance door.
2. Set the washing programme (make sure that the appliance is in setting mode).
  - The programme time flashes in the display
  - The phase indicators of the set washing programme come on.
3. Press the Start button, the washing programme starts automatically.
  - The phase indicators go off but the indicator of the phase in operation stays on.

### Start the washing programme with delay start

1. Close the appliance door.
2. Set the washing programme (make sure that the appliance is in setting mode).
3. Press the Delay button again and again until the display shows the time of the delay start.
  - The time of the delay start flashes in the display.
4. Press the Start button, the countdown starts automatically.

- The delay start time flashes no more in the display
  - The phase indicators of the set washing programme go off.
5. When the countdown is completed, the washing programme starts automatically.
    - The indicator of the phase in operation comes on.



The opening of the appliance door stops the countdown. When you close the door, the countdown continues from the point of interruption.

## Cancel the delay start

If you did not press the Start button, and the countdown is not in operation

1. Press the Delay button again and again until:
  - The display shows the time of the set washing programme
  - The phase indicators come on.
2. Press the Start button to start the washing programme.

If you did press the Start button, and the countdown is in operation

1. Press the Delay button again and again until:
  - The display shows the time of the set washing programme
  - The phase indicators come on.

The washing programme starts automatically.

## Interruption of a washing programme

- Open the appliance door.
  - The washing programme stops.
- Close the appliance door.
  - The washing programme continues from the point of interruption.

## Cancel the washing programme

If the washing programme has not started, you can change the selection.

To change the selection when the washing programme operates, it is necessary to cancel the programme.

- At the same time press and hold the buttons Multitab and Delay until:
  - The time of the last set washing programme flashes in the display
  - The indicators of the phases of the washing programme come on.

Make sure that there is detergent in the detergent dispenser before you start a new washing programme.

## End of the washing programme

The display shows a zero and the phase indicators are off when the washing programme is completed.

1. Deactivate the appliance.
2. Open the appliance door.
3. For better drying results, keep the door ajar for some minutes.



If you do not deactivate the appliance at the end of the washing programme, the appliance stays on standby.

- To decrease energy consumption during the standby, after three minutes from the end of the washing programme:
  - All indicators go off
  - The display shows one horizontal bar.

Press one of the buttons, the display and the indicators come on again.

## Remove the items from the baskets

- Let the dishes become cold before you remove them from the appliance. Hot dishes can be easily damaged.
- First remove the items from the lower basket, then from the upper basket.
- There can be water on the sides and on the door of the appliance. Stainless steel becomes cool more quickly than the dishes.

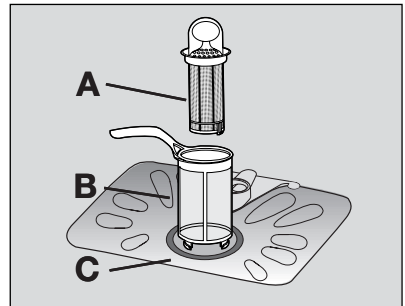
## CARE AND CLEANING

### To remove and clean the filters

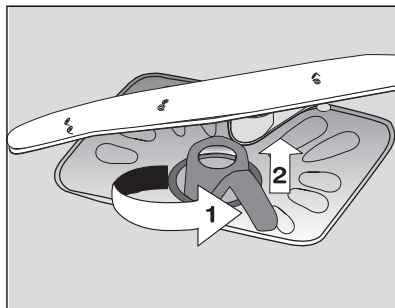
Dirty filters decrease the washing results. Make a check at intervals and if necessary, clean them.

The appliance has three filters:

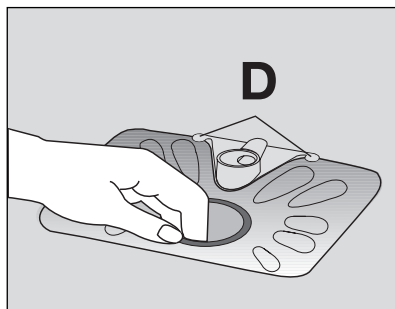
- Coarse filter (A)
- Microfilter (B)
- Flat filter (C).



1. To unlock the filters (A) and (B), turn the handle on the microfilter (B) approximately 1/4 counterclockwise and remove.
2. Hold the coarse filter (A) by the handle and remove it from the microfilter (B).



3. Remove the flat filter (C) from the bottom of the appliance.
4. Fully clean the filters with water.
5. Put the flat filter (C) to its initial position. Make sure that it assembles correctly in the two guides (D).
6. Put the coarse filter (A) in the microfilter (B) and push the filters together.
7. Put the filters (A) and (B) in position. Turn the handle on the microfilter (B) clockwise until it locks in position.



### To clean the spray arms

Do not remove the spray arms.

If the holes in the spray arms become clogged, remove remaining parts of soil with a thin pointed object.

### To clean the external surfaces

Clean the external surfaces of the appliance and control panel with a moist soft cloth.

Only use neutral detergents.

Do not use abrasive products, abrasive cleaning pads or solvents (acetone).

## WHAT TO DO IF...

The start of the appliance does not occur or it stops during operation.

First try to find a solution to the problem (refer to the table). If not, contact the service centre.

With some malfunctions, the display shows an alarm code:

- **,10** - The appliance does not fill with water
- **,20** - The appliance does not drain the water
- **,30** - The anti-flood device is on.



### WARNING!

Deactivate the appliance before you do the checks.

Malfunction	Possible cause	Possible solution
The appliance does not fill with water.	The water tap is blocked or there is limescale on it.	Clean the water tap.
	The water pressure is too low.	Contact your local water authority.
	The water tap is closed.	Open the water tap.
	The filter in the water inlet hose is blocked.	Clean the filter.
	The connection of the water inlet hose is not correct.	Make sure that the connection is correct.
	The water inlet hose is damaged.	Make sure that the water inlet hose has no damages.
The appliance does not drain the water.	There is a blockage in the sink spigot.	Clean the sink spigot.
	The connection of the water drain hose is not correct.	Make sure that the connection is correct.
	The water drain hose is damaged.	Make sure that the water drain hose has no damages.
The anti-flood device is on.		Close the water tap and contact the service centre.
The start of the washing programme does not occur.	The appliance door is open.	Close the appliance door.
	You did not press the Start touchpad or button.	Press the Start touchpad or button.
	The mains plug is not connected in the mains socket.	Connect the mains plug.
	The fuse in the fuse box is damaged.	Replace the fuse.
	The delay start is set.	<ul style="list-style-type: none"> <li>• Cancel the delay start.</li> <li>• When the countdown is completed, the washing programme starts automatically.</li> </ul>

After the check, set the programme knob on the same washing programme before the malfunction occurred. The programme continues from the point of interruption.

If the malfunction occurs again, contact the service centre.

If the display shows other alarm codes, contact the service centre.

The necessary information for the service centre is on the rating plate.

Record this information:

- Model (MOD.) .....
- Product number (PNC) .....
- Serial number (S.N.) .....

## The washing results and drying results are not satisfactory

Problem	Possible cause	Possible solution
The dishes are not clean.	The washing programme was not applicable for the type of load and soil.	Make sure that the washing programme is applicable for the type of load and soil.
	You did not put the items correctly in the baskets, water did not touch all surfaces.	Put the items correctly in the baskets.
	The spray arms could not turn freely. Incorrect position of the items in the baskets.	Make sure that an incorrect position of the items do not cause the blockage of the spray arms.
Limescale particles on the dishes.	The filters are dirty or not assembled and installed correctly.	Make sure that the filters are clean and correctly assembled and installed.
	The quantity of detergent was not sufficient or missing.	Make sure that the quantity of detergent is sufficient.
	The salt container is empty.	Fill the salt container with dishwasher salt.
There are streaks, whitish stains, or a bluish layer on glasses and dishes.	Incorrect level of the water softener adjustment.	Adjust the water softener with the correct level.
	The salt container cap is not closed correctly.	Make sure that the salt container cap is closed correctly.
	The rinse aid quantity is too high.	Decrease the rinse aid quantity.
Dry water drop stains on glasses and dishes.	The rinse aid quantity is too low.	Increase the rinse aid quantity.
	The detergent can be the cause.	Use a different brand of detergent.
The dishes are wet.	The washing programme was without a drying phase or with a decreased drying phase.	For better drying results, keep the door ajar for some minutes.
The dishes are wet and matt.	The rinse aid dispenser is empty.	Fill the rinse aid dispenser with rinse aid.
	The multitab function is on (this function automatically deactivates the rinse aid dispenser).	Activate the rinse aid dispenser.

### To activate the rinse aid dispenser



Make sure that the appliance is deactivated.

1. Press and hold the Multitab button.

2. Turn the programme knob counterclockwise until the programme marker is aligned with the first washing programme on the control panel.
3. Release the Multitab button when the display shows the set level of the water softener.
4. Turn the programme knob counterclockwise until the programme marker is aligned with the second washing programme on the control panel.
5. The display shows the set adjustment of the rinse aid dispenser.

<i>0 d</i>	The rinse aid dispenser is deactivated
<i>1 d</i>	The rinse aid dispenser is activated

6. Press the Multitab button, the display shows the new adjustment.
7. Deactivate the appliance to confirm the adjustment.

## TECHNICAL DATA


Dimensions	Width	600 mm
	Height	850 mm
	Depth	610 mm
Water supply pressure	Minimum	0,5 bar (0,05 MPa)
	Maximum	8 bar (0,8 MPa)
Water supply <sup>1)</sup>		cold water
Capacity	Place settings	12

1) Connect the water inlet hose to a water tap with a 3/4" thread.



The rating plate on the inner edge of the appliance door shows the electrical connection data.

## ENVIRONMENT CONCERNS

The symbol  on the product or on its packaging indicates that this product may not be treated as household waste. Instead it should be taken to the appropriate collection point for the recycling of electrical and electronic equipment. By ensuring this product is disposed of correctly, you will help prevent potential negative consequences for the environment and human health, which could otherwise be caused by inappropriate waste handling of this product. For more detailed information about recycling of this product, please contact your local council, your household waste disposal service or the shop where you purchased the product.

The packaging materials are environmentally friendly and can be recycled. The plastic components are identified by markings, e.g. >PE<, >PS<, etc. Discard the packaging materials in the applicable container at the community waste disposal facilities.

**WARNING!**

To discard the appliance, follow the procedure:

- Pull the mains plug out of the socket.
- Cut off the mains cable and mains plug and discard them.
- Discard the door catch. This prevents the children to close themselves inside the appliance and endanger their lives.

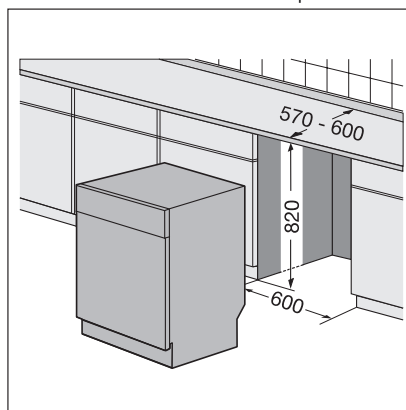
## INSTALLATION

### Installation under a counter

Put the appliance adjacent to a water tap and a water drain.

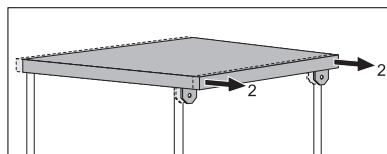
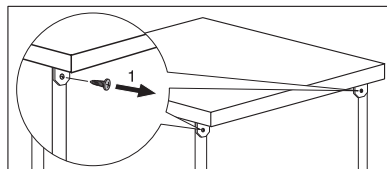
Remove the appliance worktop to install it under a sink unit or a kitchen worktop.

Make sure that the dimensions of the recess agree with the dimensions in the picture.



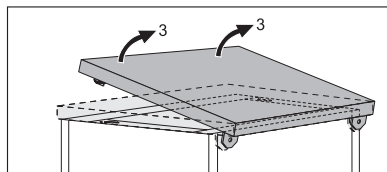
### How to remove the appliance worktop

1. Remove the rear screws (1).
2. Pull the worktop from the behind of the appliance (2).





3. Lift the worktop and move it from the front slots (3).
4. Use the adjustable feet to adjust the level of the appliance.
5. Install the appliance under the kitchen worktop. Do not squash or bend the water hoses during the installation.



## To adjust the level of the appliance

A correct level of the appliance lets the door to close and seal correctly.

With an incorrect appliance level, the door does catches on the sides of the cabinet. Loosen or tighten the adjustable feet to make the appliance level.

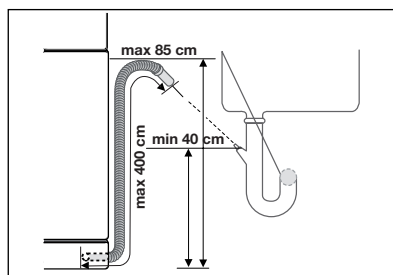
## Water drain connection

Connect the water drain hose to:

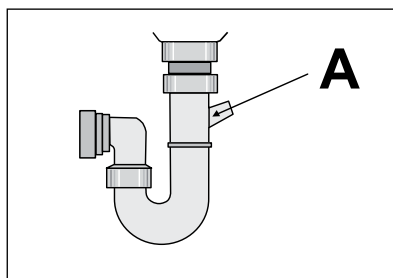
- The sink spigot and attach it under the work surface. This prevents that the waste water from the sink goes back into the appliance.
- A stand pipe with vent-hole. The internal diameter must be minimum 4 cm.

Remove the sink plug when the appliance drains the water to prevent that the water goes back into the appliance.

The drain hose extension must not be longer than 2 m. The internal diameter must not be smaller than the diameter of the hose.



If you connect the water drain hose to a trap spigot under the sink, remove the plastic membrane (A). If you do not remove the membrane, remaining food can cause a blockage in the drain hose spigot



A safety device impedes the dirty water to go back into the appliance. If, the spigot of the sink has a 'non-return valve', this can cause the appliance to drain incorrectly. Remove the non-return valve.





[www.aeg-electrolux.com/shop](http://www.aeg-electrolux.com/shop)

156953720-A-382010



CE