

NB4L16MMNEVB

Evaluation Board User's Manual for NB4L16M



ON Semiconductor®

<http://onsemi.com>

EVAl BOARD USER'S MANUAL

DESCRIPTION

This document describes the NB4L16M evaluation board and the appropriate lab test setups. It should be used in conjunction with the NB4L16M data sheets which contain full technical details on the device specifications and operation.

The evaluation board is designed to facilitate a quick evaluation of the NB4L16M Differential Receiver / Driver / Translator. The NB4L16M is designed to function as a high speed receiver/driver/translator device with CML output for use in high speed signal amplification and backplane interface applications.

The board is implemented in two layers and provides a high bandwidth 50 Ω controlled impedance environment for higher performance. The first layer or primary trace layer is 5 mils thick Rogers RO6002 material, which is engineered

to have equal electrical length on all signal traces from the NB4L16M device to the sense output. The second layer is 32 mils thick copper ground plane.

What measurements can you expect to make?

With this evaluation board, the following measurements could be performed in differential modes of operation:

- Jitter
- Output Skew
- Gain/Return Loss
- Eye Pattern Generation
- Frequency Performance
- Output Rise and Fall Time
- V_{CMR} (Input High Common Mode Range)

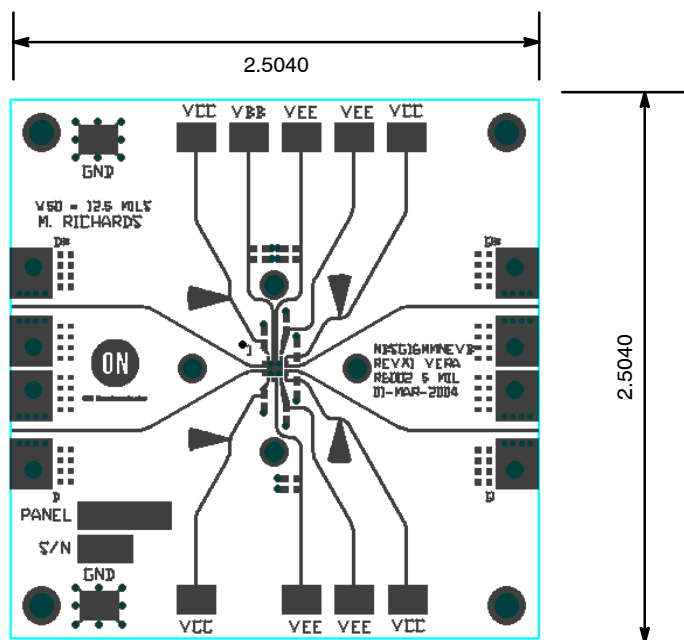


Figure 1. NB4L16MMN Evaluation PCB with Pin Label/Connection Change

NB4L16MMNEVB

SETUP FOR TIME DOMAIN MEASUREMENTS

Table 1. BASIC EQUIPMENT

Description	Example Equipment (Note 1)	Qty.
Power Supply with 4 outputs	HP6624A	1
Oscilloscope	TDS8000 with 80E01 Sampling Head (Note 2)	1
Differential Signal Generator	HP 8133A, Advantest D3186	1
Matched High Speed Cables with SMA Connectors	Storm, Semflex	4
Power Supply Cables with Clips		8

1. Equipment used to generate example measurements within this document.
2. 50 GHz sampling head used (for effective rise, fall and jitter performance measurement)

Setup

Step 1: Connect Power

1a: Two power levels must be provided to the board for V_{CC} and V_{EE} via the surface mount clips.

Table 2. NB4L16M Power Supply Connections

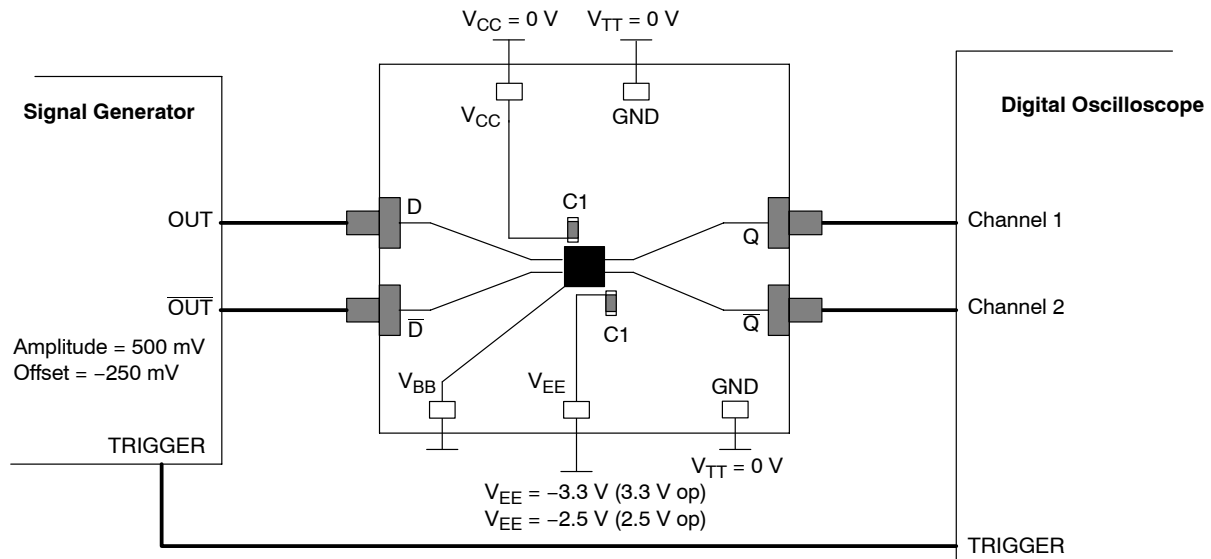
3.3 V Setup	2.5 V Setup
$V_{CC} = 0\text{ V} = \text{GND}$	$V_{CC} = 0\text{ V} = \text{GND}$
$V_{TT} = V_{CC} = 0\text{ V} = \text{GND}$	$V_{TT} = V_{CC} = 0\text{ V} = \text{GND}$
$V_{EE} = -3.3\text{ V}$	$V_{EE} = -2.5\text{ V}$

Step 2: Connect Inputs

For Differential Mode (3.3 V and 2.5 V operation)

2a: Connect the differential output of the generator to the differential input of the device (D and \bar{D}).

NOTE: Device may oscillate when the input is not driven.



NOTE: All differential cable pairs **must be** matched.

Figure 2. NB4L16M Board Setup – Time Domain (Differential Mode)

NB4L16MMNEVB

Step 3: Setup Input Signals

3a: Set the signal generator amplitude to 500 mV.

NOTE: The signal generator amplitude can vary from 75 mV to 900 mV to produce a 400 mV DUT output.

3b: Set the signal generator offset to -250 mV.

NOTE: The V_{IHCMR} (Input High Voltage Common Mode Range) allows the signal generator offset to vary as long as V_{IH} is within the V_{IHCMR} range. Refer to the device data sheet for further information.

3c: Set the generator output for a PRBS data signal, or for a square wave clock signal with a 50% duty cycle.

Step 4: Connect Output Signals

4a: Connect the outputs of the device (Q , \bar{Q}) to the oscilloscope. The oscilloscope sampling head must have internal 50 Ω termination to ground.

NOTE: Where a single output is being used, the unconnected output for the pair *must be* terminated to V_{TT} through a 50 Ω resistor for best operation. Unused pairs may be left unconnected. Since $V_{TT} = 0$ V, a standard 50 Ω SMA termination is recommended.

SETUP FOR FREQUENCY DOMAIN MEASUREMENTS

Table 3. BASIC EQUIPMENT

Description	Example Equipment (Note 3)	Qty
Power Supply with 4 outputs	HP 6624A	1
Vector Network Analyzer (VNA)	R&S ZVK (10 MHz to 40 GHz)	1
180° Hybrid Coupler	Krytar Model #4010180	1
Bias Tee with 50 Ω Resistor Termination	Picosecond Model #5542-219	1
Matched High Speed Cables with SMA Connectors	Storm, Semflex	3
Power Supply Cables with Clips		8

3. Equipment used to generate example measurements within this document.

Setup

Step 1: Connect Power

1a: Two power levels must be provided to the board for V_{CC} and V_{EE} via the surface mount clips.

Table 4. NB4L16M Power Supply Connections

3.3 V Setup
$V_{CC} = 0$ V = GND
$V_{TT} = V_{CC} = 0$ V = GND
$V_{EE} = -3.3$ V

Setup Test Configurations for Differential Operation

Small Signal Setup

Step 2: Input Setup

2a: Calibrate VNA from 1.0 GHz to 12 GHz.
2b: Set input level to -35 dBm at the output of the 180° Hybrid coupler (input of the DUT).

Step 3: Output Setup

3a: Set display to measure S21 and record data.

Large Signal Setup

Step 2: Input Setup

2a: Calibrate VNA from 1.0 GHz to 12 GHz.
2b: Set input levels to -2.0 dBm (500 mV) at the input of DUT.

Step 3: Output Setup

3a: Set display to measure S21 and record data.

NB4L16MMNEVB

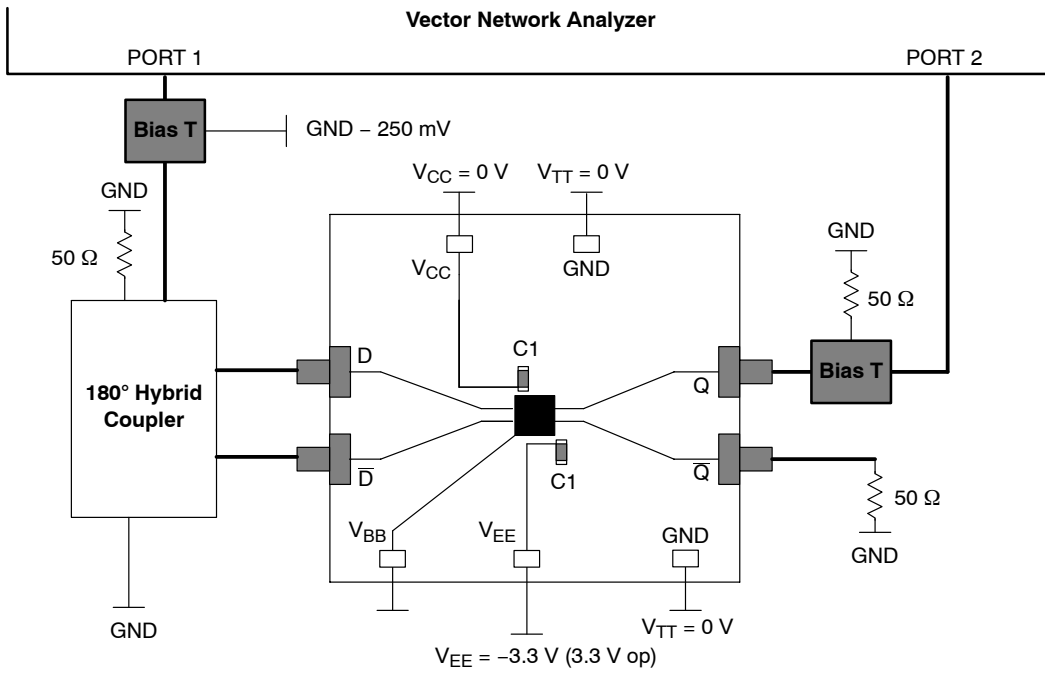


Figure 3. Board Setup – Frequency Domain (Differential Mode)

NB4L16MMNEVB

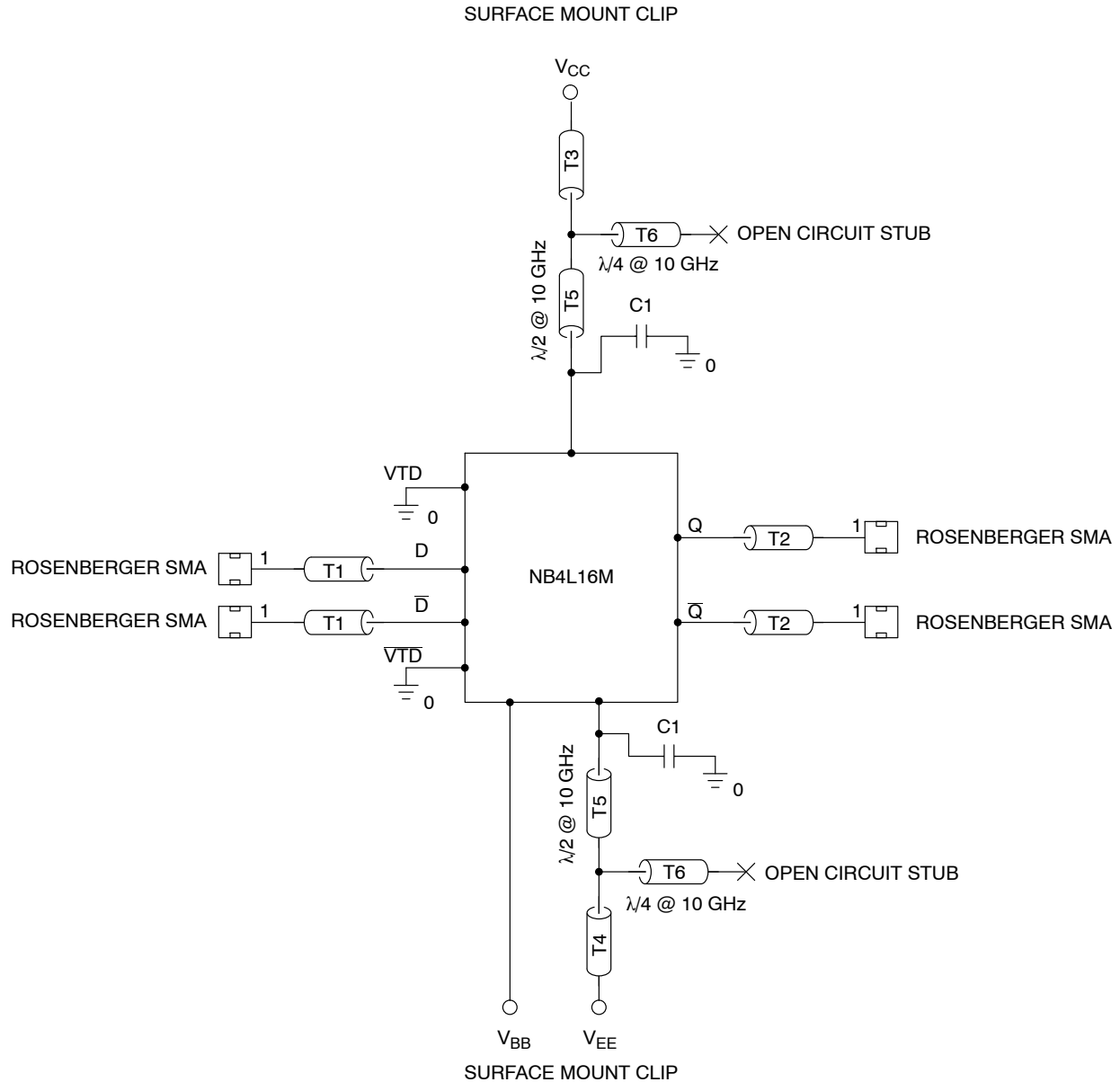
MORE INFORMATION ABOUT EVALUATION BOARD

Design Considerations for >10 GHz operation

While the NB4L16M is specified to operate at 12 GHz, this evaluation board is designed to support operating frequencies up to 20 GHz.

The following considerations played a key role to ensure this evaluation board achieves high-end microwave performance:

- Optimal SMA connector launch
- Minimal insertion loss and signal dispersion
- Accurate Transmission line matching (50 ohms)
- Distributed effects while bypassing and noise filtering



NOTE: C1, C2* = Decoupling cap
Tx = 50 Ω Transmission line

Figure 4. Evaluation Board Schematic

NB4L16MMNEVB

Table 5. PARTS LIST

Part No	Qty	Description	Manufacturer	WEB address
NB4L16MMN	1	2.5 V/3.3 V, 5 Gb/s Multi Level Clock/Data Input to CML Receiver/Driver/ Translator with Internal Termination	ON Semiconductor	http://www.onsemi.com
32K243-40ME3	4	Gold Plated Connector	Rosenberger	http://www.rosenberger.de
CO6BLBB2X5CO6 03CL04K6RAC	9	2 MHz – 30 GHz Capacitor 0603 0.1 μ F \pm 10%	Dielectric Laboratories Kemet	http://www.dilabs.com http://www.newark.com/
SO16	9	Test Point-Anvil	Keystone	http://www.newark.com http://www.digikey.com

Table 6. BOARD MATERIAL

Material	Thickness
Rogers 6002	5 mil
Copper Plating	32 mil

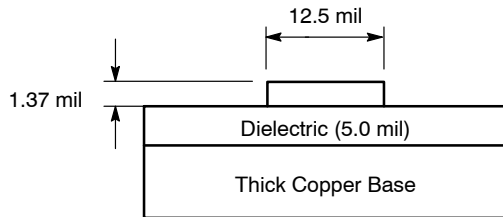


Figure 5. Board Stack-up

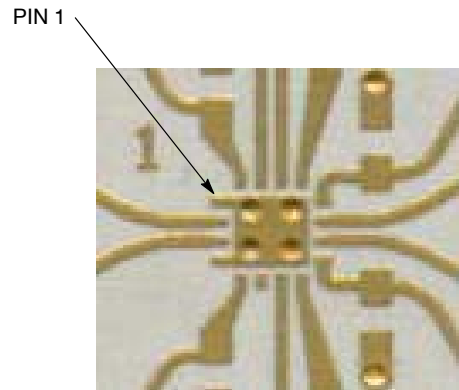
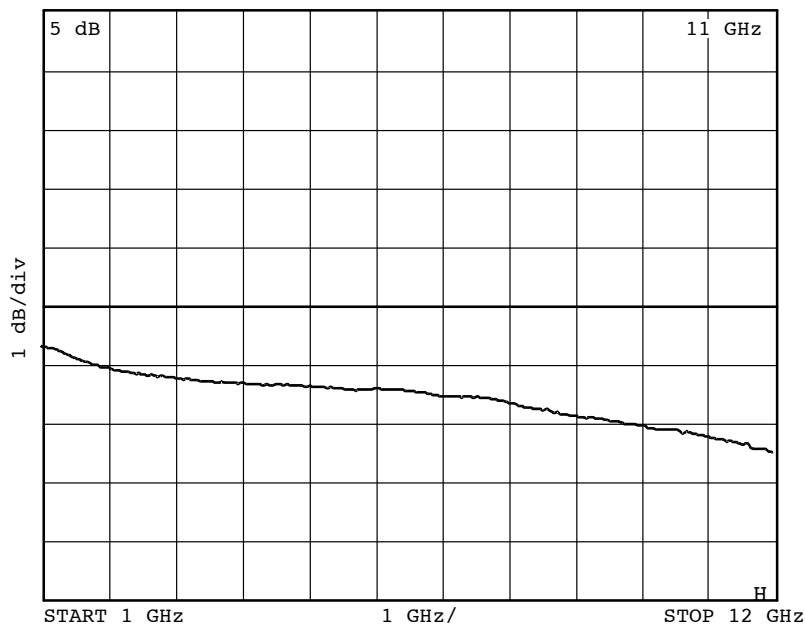


Figure 6. Layout Mask for NB4L16M



NOTE: The insertion loss curve can be used to calibrate out board loss if testing under small signal conditions.

Figure 7. Insertion Loss

NB4L16MMNEVB

ADDITIONAL EVALUATION BOARD INFORMATION

www.onsemi.com

In all cases, the most up-to-date information can be found on our website.

- Sample orders for devices and boards
- New Product updates
- Literature download/order
- IBIS and Spice models

References

NB4L16M/D, Data Sheet, *2.5V/3.3V, 5 Gb/s Multi Level Clock/Data Input to CML Driver / Receiver / Buffer / Translator with Internal Termination*

AND8077/D, Application Note, *GigaComm™ (SiGe) SPICE Modeling Kit.*

AND8075/D, Application Note, *Board Mounting Considerations for the FCBGA Packages.*

ORDERING INFORMATION

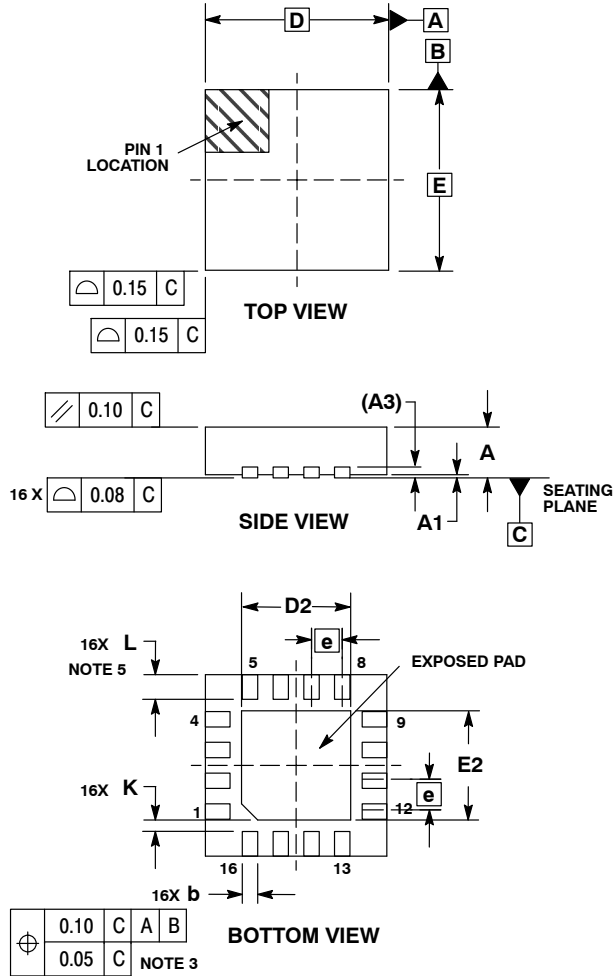
Part No	Description	Package	Shipping
NB4L16MMN	2.5V/3.3V, 5 Gb/s Multi Level Clock/Data Input to CML Driver / Receiver / Buffer / Translator with Internal Termination	3X3 mm QFN-16	123 Units/Tray
NB4L16MMNG	2.5V/3.3V, 5 Gb/s Multi Level Clock/Data Input to CML Driver / Receiver / Buffer / Translator with Internal Termination	3X3 mm QFN-16 (Pb-Free)	123 Units/Tray
NB4L16MMNR2	2.5V/3.3V, 5 Gb/s Multi Level Clock/Data Input to CML Driver / Receiver / Buffer / Translator with Internal Termination	3X3 mm QFN-16	3000 / Tape & Reel
NB4L16MMNEVB	NB4L16MN Evaluation Board		

†For information on tape and reel specifications, including part orientation and tape sizes, please refer to our Tape and Reel Packaging Specifications Brochure, BRD8011/D.

NB4L16MMNEVB

PACKAGE DIMENSIONS

16 PIN QFN
MN SUFFIX
CASE 485G-01
ISSUE B



NOTES:

1. DIMENSIONING AND TOLERANCING PER ASME Y14.5M, 1994.
2. CONTROLLING DIMENSION: MILLIMETERS.
3. DIMENSION b APPLIES TO PLATED TERMINAL AND IS MEASURED BETWEEN 0.25 AND 0.30 MM FROM TERMINAL.
4. COPLANARITY APPLIES TO THE EXPOSED PAD AS WELL AS THE TERMINALS.
5. L_{max} CONDITION CAN NOT VIOLATE 0.2 MM MINIMUM SPACING BETWEEN LEAD TIP AND FLAG

DIM	MILLIMETERS	
	MIN	MAX
A	0.80	1.00
A1	0.00	0.05
A3	0.20	REF
b	0.18	0.30
D	3.00	BSC
D2	1.65	1.85
E	3.00	BSC
E2	1.65	1.85
e	0.50	BSC
K	0.20	---
L	0.30	0.50

GigaComm is a trademark of Semiconductor Components Industries, LLC.

ON Semiconductor and **ON** are registered trademarks of Semiconductor Components Industries, LLC (SCILLC). SCILLC reserves the right to make changes without further notice to any products herein. SCILLC makes no warranty, representation or guarantee regarding the suitability of its products for any particular purpose, nor does SCILLC assume any liability arising out of the application or use of any product or circuit, and specifically disclaims any and all liability, including without limitation special, consequential or incidental damages. "Typical" parameters which may be provided in SCILLC data sheets and/or specifications can and do vary in different applications and actual performance may vary over time. All operating parameters, including "Typicals" must be validated for each customer application by customer's technical experts. SCILLC does not convey any license under its patent rights nor the rights of others. SCILLC products are not designed, intended, or authorized for use as components in systems intended for surgical implant into the body, or other applications intended to support or sustain life, or for any other application in which the failure of the SCILLC product could create a situation where personal injury or death may occur. Should Buyer purchase or use SCILLC products for any such unintended or unauthorized application, Buyer shall indemnify and hold SCILLC and its officers, employees, subsidiaries, affiliates, and distributors harmless against all claims, costs, damages, and expenses, and reasonable attorney fees arising out of, directly or indirectly, any claim of personal injury or death associated with such unintended or unauthorized use, even if such claim alleges that SCILLC was negligent regarding the design or manufacture of the part. SCILLC is an Equal Opportunity/Affirmative Action Employer. This literature is subject to all applicable copyright laws and is not for resale in any manner.

PUBLICATION ORDERING INFORMATION

LITERATURE FULFILLMENT:
Literature Distribution Center for ON Semiconductor
P.O. Box 5163, Denver, Colorado 80217 USA
Phone: 303-675-2175 or 800-344-3860 Toll Free USA/Canada
Fax: 303-675-2176 or 800-344-3867 Toll Free USA/Canada
Email: orderlit@onsemi.com

N. American Technical Support: 800-282-9855 Toll Free USA/Canada
Europe, Middle East and Africa Technical Support:
Phone: 421 33 790 2910
Japan Customer Focus Center
Phone: 81-3-5817-1050

ON Semiconductor Website: www.onsemi.com
Order Literature: <http://www.onsemi.com/orderlit>
For additional information, please contact your local Sales Representative