

DENSO

Member of the TOYOTA Group

Superior ID-Technology



2D Code Scanner



GT-10 Series

Excellent Performance in
Stable Casing

GT-10 Series: Excellent Performance on the Inside – Protection Against Impact, Water and Dust on the Outside.

The GT-10 scanner range takes maximum advantage of its performance features: versatility, long life and user friendliness.

High Performance

CCD (Charged Coupled Device) Technology

- No moving parts
- Particularly robust

Excellent Scanning Performance

- Long distance scanning in excess of 1 m thanks to CCD technology
- Above-average reading speed of 2D codes (GT-10Q) and bar codes*
- Easy recognition of even damaged 2D code labels (GT-10Q)
- Scanning of broad bar codes

Aiming beam mode (GT-10Q)

- 2D codes (laser beam)
- Bar codes (laser beam)
- Only reads the code envisaged by the beam
- Simultaneous reading of different codes is possible – up to four 2D codes can be read at once

Highly Durable

Impact Resistance

- Increased protection due to new stronger casing and the use of rubber to improve impact protection (from max. 2 m high)



Dust and splash proof to meet the IP54 Standard

- Water and dustproof even under rough working conditions

Versatile

Wide range of functions

- Bar code comparison: Determines if a scanned bar code matches a master bar code stored in the GT-10
- Programmable data formatting (GT-10Q): Easy configuration of the output data for all existing host systems
- Check for wrong parts:
 - (1) A bar code is read from the shipping instructions and registered as the master code.
 - (2) A bar code from a product to be shipped is scanned and then compared with the master code so that it can be approved for shipping.
- Auto-sensing function: The auto-sensing function automatically begins scanning when it detects a label

- Remote ON/OFF function: Scanning can be switched on and off using commands from a host computer

One-touch user function

- Two scanning possibilities:
 - (1) using Magic Key (on top of scanner)
 - (2) using trigger (inside of grip)
- Code differentiation (GT-10Q): Once two different symbol records have been registered it is possible to switch from one to the other using the Magic Key – this prevents reading incorrect codes in multiple-read mode



Available in black and grey

*Comparison test when reading up to 150 characters of QR code



ON/OFF function:

The scanner is in standby mode when the Magic Key is off.

Transfer of selected characters

- The data to be transmitted (e.g. operation start codes) can be set beforehand when the Magic Key is on

Retransmit scanned data

- Scanned data can be retransmitted when the Magic Key is on without the bar code having to be scanned again

User-friendly

Very practice-orientated

- Marking function (GT-10Q):**
laser lighting of the scan area and its centre point
- Vibrator function:**
Completion of the scanning operation confirmed with vibration
- Adjustable buzzer volume:**
3 levels of buzzer volume to suit the surrounding environment
- Very bright, three-colour LED:**
Easy to read scanning information

Simple set-up with intuitive software

- Installation software included in scope of delivery
- Easy parameter setting from a PC with the set-up software
- Quick start programme:
Printing and configuring barcodes with the aid of the special installation software – the GT-10 is ready immediately

Technical Data

| | | GT-10B | | GT-10Q | |
|-----------------------------------|---|--|---|--|---|
| | | GT-10B-SM (Standard Range Type) | GT-10B-LM (Long Range Type) | GT-10Q-SR (RS-232C) | GT-10Q-SU (USB) |
| Scanner | Readable Codes | Bar Codes | EAN-13/8, UPC-A/E, UPC/EAN (with add-on), Interleaved 2 of 5, STF, CODABAR (NW7), CODE39, CODE93, CODE128 (EAN-128), MSI, Plessey | | |
| | | 2 Dimensional Codes | QR Codes, Micro QR Codes, DataMatrix (ECC200), PDF417, Maxi Code, RSS variants, Micro | | |
| | Resolution | Bar Codes | 0.125 mm | 0.19 mm | 0.15 mm |
| | | 2 Dimensional Codes | 0.25 mm | | |
| | Image capture funktion | | Ja | | |
| | Focusing point | | 100 mm | | |
| | Marker | | Scanning area marker | | |
| | Scanning area (at Narrow bar 0,5 mm) ⁽¹⁾ | | 0 ~ 350 mm max | 0 ~ 700 mm max | |
| | PCS value | | 0.45 min | | |
| | Scanning angle (angle of elevation) | | 40° ≥ a ≥ 0° | | |
| Skew angle | | 360 degrees | | | |
| Elevation and inclination | | ± 35 degrees | | | |
| Reading confirmation | | Blue-green-red LED, buzzer (with volume control), vibrator | | | |
| I/F | Format/Connector Type/Cable Length | Multi Interface: programmable as RS-232C or keyboard interface | | RS-232C/Dsub-9S | USB 1.1 Compliant/USB Typ A |
| Input Power | Operating Voltage Range | 4.75 ~ 5.25 V | | | |
| | Power Consumption | While Scanning: 200 mA max | | | |
| Power supply | | | | AC adapter | Supply from connected device ⁽²⁾ |
| Environmental Requirements | Water proof | IP 54 (Equivalent to JIS Splash resistance) | | | |
| | Shock-resistant | 2 m (1 x 6 directions onto concrete floor) ⁽³⁾ | | | |
| | Operating Temperature Range | 0 °C ~ 50 °C | | | |
| | Operating Humidity | 10 ~ 90 % RF (No condensation or frost) | | 10 ~ 99 % RF (No condensation or frost) | |
| Weight (unit only) | Operating ambient illumination | 500 lux ~ 10 000 lux (daylight florescent lighting) | | 20 lux ~ 10 000 lux (daylight florescent lighting) | |
| | | Approx. 190 g (without cable) | | Approx. 210 g (without cable) | |

(1): Ambient illumination 500 lux, ITF/16 columns on label, when PCS = 0.9.

(2): An attempt to make a connection may fail if the PC or USB hub used is not compatible. Check transfer compatibility.

(3): Test value, not guaranteed.

Note

Carefully read the user manual before using the device. Specifications are subject to change without notice. Information current as of June 2004.

Accessories

- Connecting cable
- AC/DC Adapter (only with RS-232C version)
- Operator's Manual
(Operator's Manual can be downloaded at www.denso-id.de free of charge)

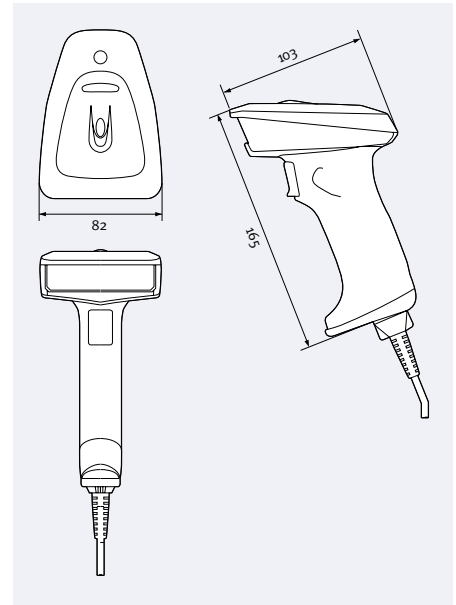
Software

- Set-up software:
(Set-up software can be downloaded at www.denso-id.de free of charge)

Optional Accessories (not supplied)

- Stand: can be used as desktop or wall stand
- Hands-free stand: variably adjustable – for hands-free scanning with the GT-10
- Hanging straps:
The hanging straps keep the GT-10 a safe distance from forklift trucks, conveyor belts etc.
- Stand for ceiling mounting (available soon):
Enables the GT-10 to be ceiling mounted

Dimensions (in mm)



Company Stamp